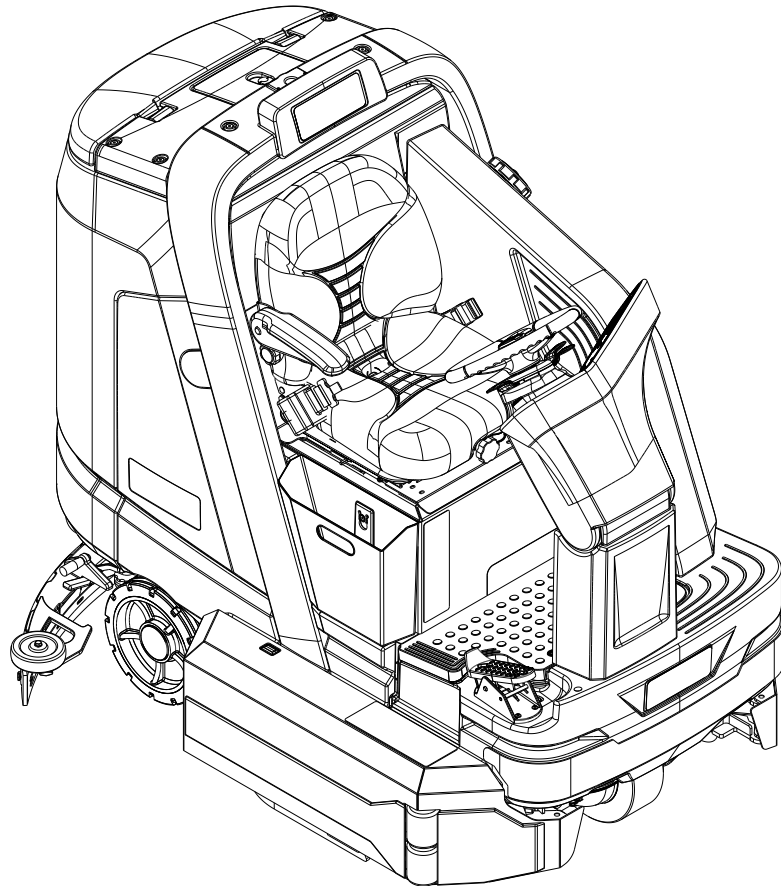


# SC6000

---



---

## PARTS LIST

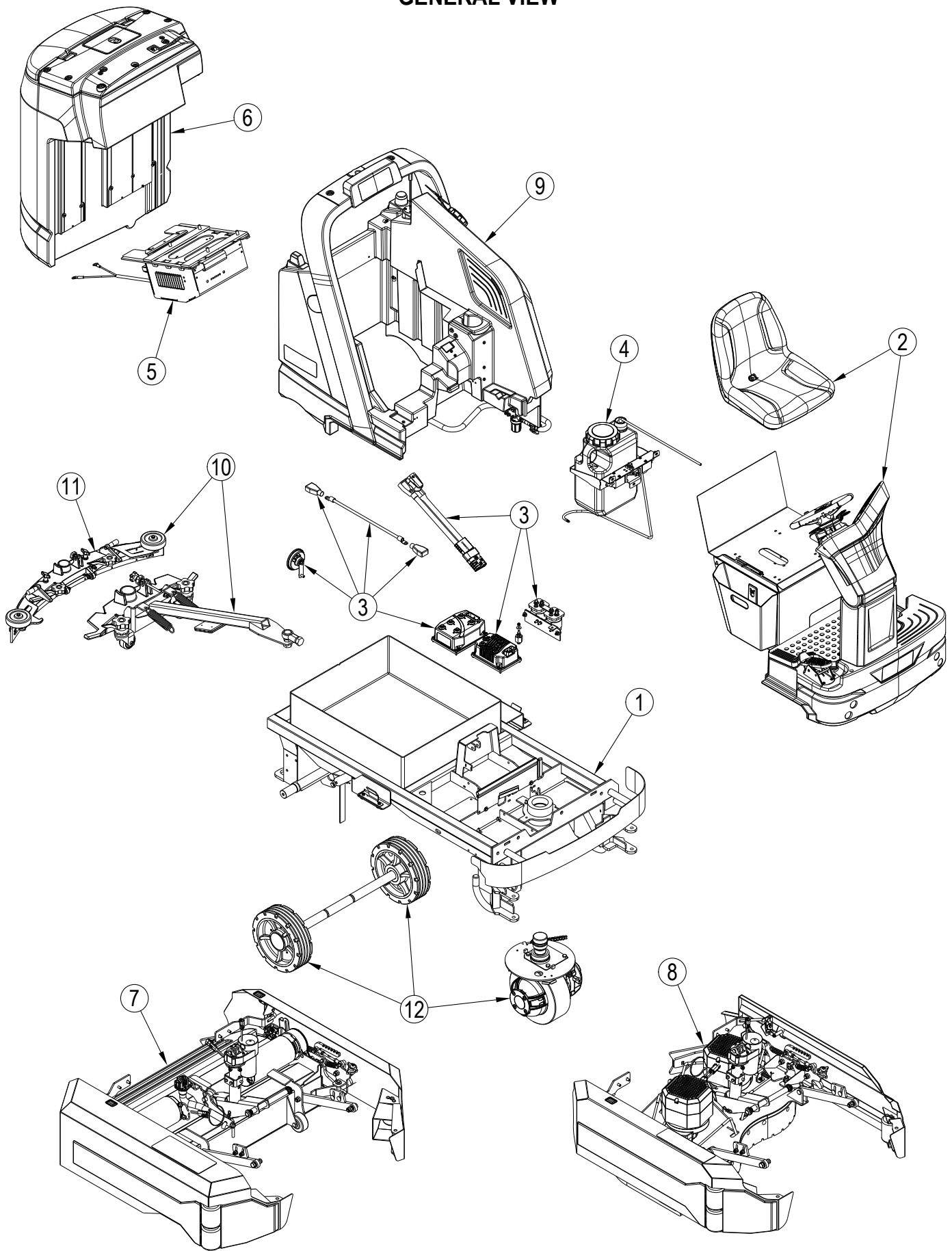
**Models: 56116000(SC6000 36C)**

**56116001(SC6000 40D), 56116002(SC6000 34D)**



# Advance

GENERAL VIEW



**GENERAL VIEW**

| <b>Kit</b> | <b>Item</b> | <b>Ref. No.</b> | <b>Qty</b> | <b>Description</b>       |
|------------|-------------|-----------------|------------|--------------------------|
|            | 1           |                 | 1          | Chassis System           |
|            | 2           |                 | 1          | Control System           |
|            | 3           |                 | 1          | Electrical System        |
|            | 4           |                 | 1          | Ecoflex™ Assembly        |
|            | 5           |                 | 1          | Onboard-Charger-Assembly |
|            | 6           |                 | 1          | Recovery System          |
|            | 7           |                 | 1          | Scrub System-Cylindrical |
|            | 8           |                 | 1          | Scrub System-Disc        |
|            | 9           |                 | 1          | Solution System          |
|            | 10          |                 | 1          | Squeegee System          |
|            | 11          |                 | 1          | Squeegee Assy            |
|            | 12          |                 | 1          | Wheel System             |

## TABLE OF CONTENTS

| DESCRIPTION  | PAGE  |
|--|-------|
| Chassis System .....                                 | 4-5   |
| Control System.....                                  | 6-7   |
| Control System-Upper Column Assembly .....           | 8-9   |
| Control System-Lower Column Assembly .....           | 10-11 |
| Decal System .....                                   | 12-13 |
| Electrical System.....                               | 14-15 |
| Ecoflex™ Assembly .....                              | 16-17 |
| Onboard-Charger-Assembly .....                       | 18-19 |
| Recovery System .....                                | 20-21 |
| Scrub System-Cylindrical .....                       | 22-23 |
| Scrub System-Cylindrical-Deck Assembly .....         | 24-25 |
| Scrub System-Cylindrical-Side Blade Assemblies ..... | 26-27 |
| Scrub System-Cylindrical-Right Door Assy .....       | 28-29 |
| Scrub System-Left Door Assembly-36C&40D.....         | 30-31 |
| Scrub System-Disc.....                               | 32-33 |
| Scrub System-Disc-Deck Assembly .....                | 34-35 |
| Scrub System-Disc-Side Blade Assemblies.....         | 36-37 |
| Scrub System-Disc-Right Door Assembly-34D .....      | 38-39 |
| Scrub System-Disc-Left Door Assembly-34D .....       | 40-41 |
| Scrub System-Disc-Right Door Assembly-40D .....      | 42-43 |
| Solution System .....                                | 44-45 |
| Squeegee System.....                                 | 46-47 |
| Squeegee System-Squeegee Assy J-34D .....            | 48-49 |
| Squeegee System-Squeegee Assy K-36C & 40D .....      | 50-51 |
| Wheel System .....                                   | 52-53 |
| Ladder Diagrams.....                                 | 54-59 |
| Options & Accessories .....                          | 60-61 |
| Recommended Spare Parts .....                        | 62-63 |
| Brush Selector Guide-Disc.....                       | 64    |
| Brush Selector Guide-Cylindrical .....               | 65    |
| Squeegee Blade Selector Guide.....                   | 66    |

### WHEN ORDERING PARTS

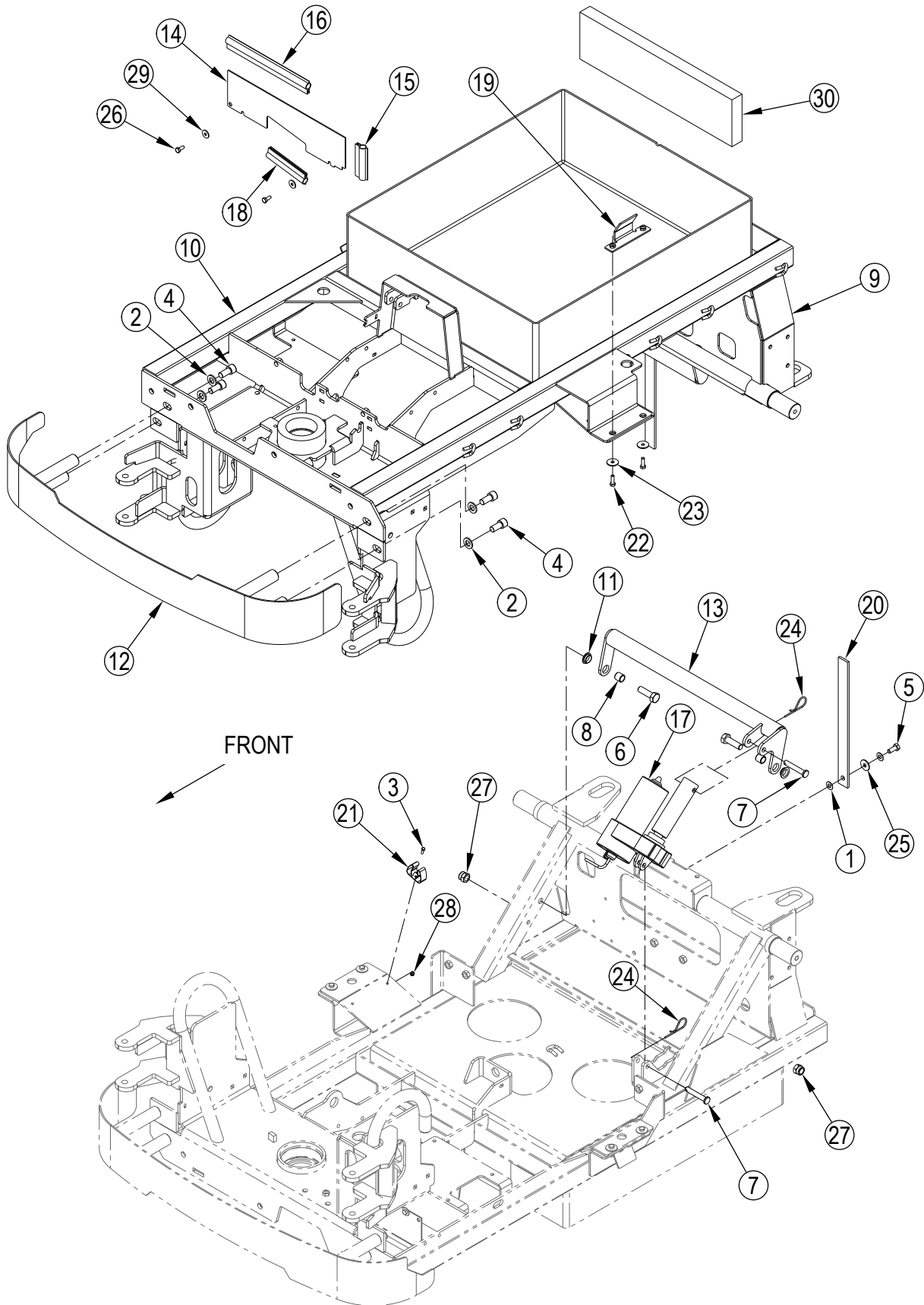
- \* Use the part numbers from the "Ref. No." columns in this parts list. If the "Ref. No." column is blank; look under the "Kit" column to identify which kit contains the part in question, then use the kit callout, for example "K1", to find the "Ref. No." for that kit.

| Kit | Item | Ref. No. | Qty | Description                     |
|-----|------|----------|-----|---------------------------------|
| K1  | 1    |          | 16  | Washer Flat 3/16 Zinc Plat      |
| K1  | 2    |          | 2   | Screw-BHS-Brass-10-32x3/8-MS    |
| K1  | 3    |          | 3   | Washer EPDM 7/32 X 1/8          |
|     | 4    | 805      | 1   | Chain-Cover                     |
|     | 5    | 905      | 2   | Caster Swivel 4 Gray Non MA     |
| K1  | 6    |          | 2   | Nut, Hex Nyl Loc 10-24          |
| K1  | 7    |          | 3   | Scr- Hex SS 1/4-20 X .75        |
| K1  | 8    |          | 16  | Scr, Hex Hd Loc 1/4-20 x .50    |
| K1  | 9    |          | 3   | Wsh, Flt SS .260 X 1.000 X .074 |
|     | 10   | 56113012 | 1   | Solution Tank                   |
|     | 11   | 56113034 | 2   | Hinge Plate                     |
| K1  |      | 56113103 | 1   | Kit-Hardware Solution Tank      |

- \* Specify the model and serial number of the machine.
- \* Use the space below to record the model and serial number for future reference.

Model \_\_\_\_\_ Serial No. \_\_\_\_\_

**CHASSIS SYSTEM**



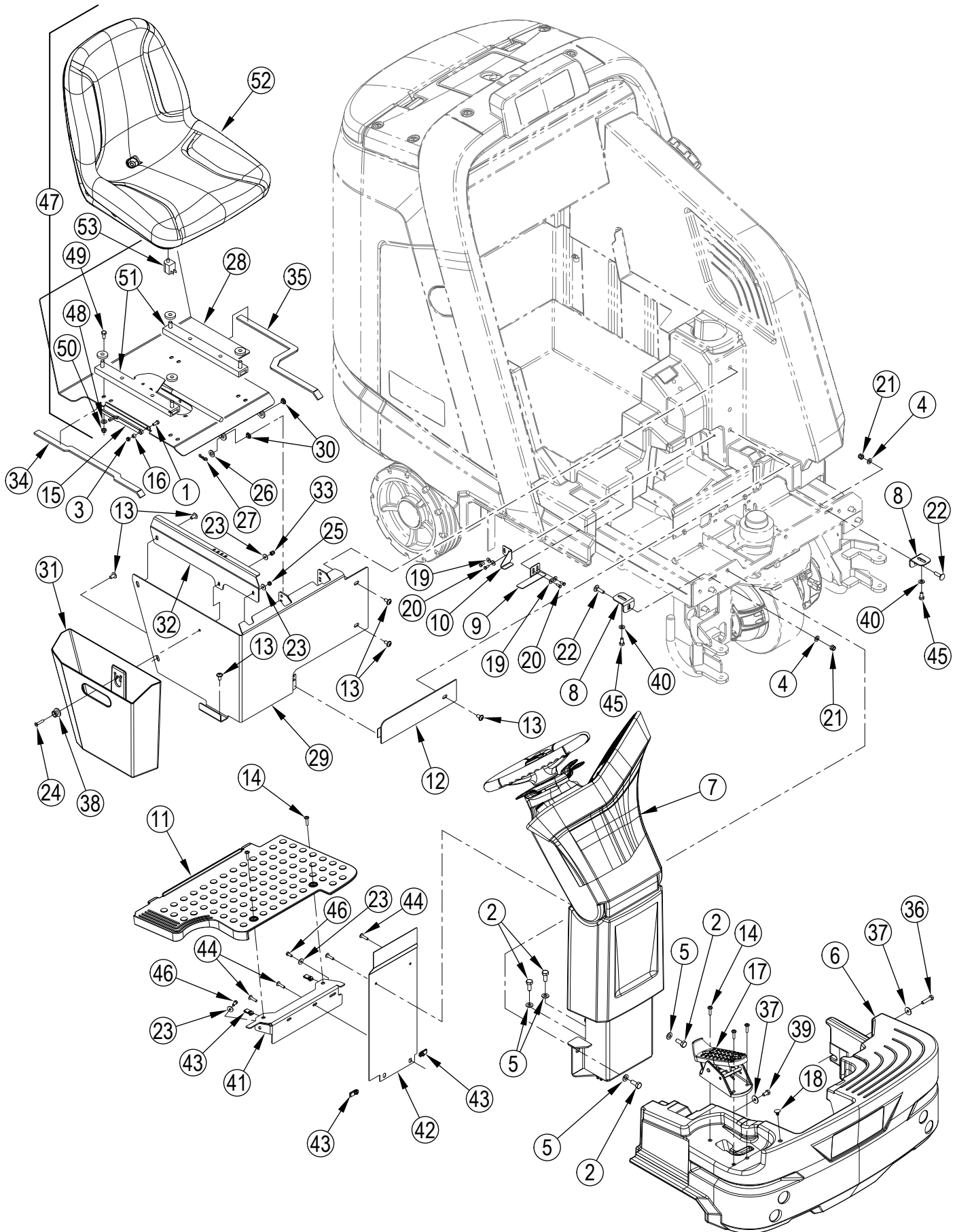
## CHASSIS SYSTEM

| <b>Kit</b> | <b>Item</b> | <b>Ref. No.</b> | <b>Qty</b> | <b>Description</b>             |
|------------|-------------|-----------------|------------|--------------------------------|
| K5         | 1           |                 | 2          | Washer M8                      |
| K1         | 2           |                 | 4          | Washer, Flat 13x24             |
| K2         | 3           |                 | 1          | Screw M4x12 Hex Hd F/Thd       |
| K1         | 4           |                 | 4          | Screw Soc. Hd M12x25           |
| K5         | 5           |                 | 1          | Screw M8x20 Hex Hd F/Thd       |
| K2         | 6           |                 | 2          | Scr M12x40 Hex 10.9 Iso4017    |
| K3         | 7           |                 | 2          | Pin-Clevis .375 X 2.25         |
| K2         | 8           |                 | 2          | Bushing-12.5x16x14.48mm        |
|            | 9           | 56116171        | 1          | Tray-Battery                   |
|            | 10          |                 | 1          | Chassis Weldment               |
| K2         | 11          |                 | 2          | Bearing-Flange-16x18x6mm       |
| K1         | 12          |                 | 1          | Bumper Weldment                |
|            | 13          | 56116501        | 1          | Lift Arm Weldment-Squeegee     |
| K4         | 14          |                 | 1          | Panel-Electrical Wall          |
| K4         | 15          |                 | 1          | Edge Trim                      |
| K4         | 16          |                 | 1          | Edge Trim                      |
|            | 17          | 56116781        | 1          | Actuator-Squeegee (M6)         |
| K4         | 18          |                 | 1          | Trim Seal                      |
|            | 19          | 56116930        | 2          | Bracket-Crossbar Mount         |
| K5         | 20          |                 | 1          | Strap,Static, 12.5"            |
|            | 21          | 56601598        | 1          | Hose Clip                      |
| K2         | 22          |                 | 4          | Screw M6x20 Hex Hd F/Thd Ss    |
| K2         | 23          |                 | 4          | Washer Flat XI 6.6x24.0x2.0 Ss |
| K3         | 24          |                 | 2          | Hair Pin Cotter A2,5           |
| K5         | 25          |                 | 1          | Washer 8x24x2 Uni6593 Ss       |
| K2,K4      | 26          |                 | 2          | Screw M6x14 Hex Hd F/Thd Ss    |
| K2         | 27          |                 | 2          | Nut, Hex Nyl Loc M12 S.S.      |
| K2         | 28          |                 | 1          | Nut, Hex Nyl Loc Thin M4 Ss    |
| K2,K4      | 29          |                 | 2          | Washer Flat XI 6x18x1.5 – Ss   |
|            | 30          | 56601708        | 1          | Battery Spacer                 |

**Service Kits**

|    |          |   |                           |
|----|----------|---|---------------------------|
| K1 | 56116872 | 1 | Bumper Kit                |
| K2 | 56116873 | 1 | Hardware Kit-Chassis      |
| K3 | 56118038 | 1 | Hardware Kit-Actuator     |
| K4 | 56118047 | 1 | Panel Kit-Electrical Wall |
| K5 | 56116874 | 1 | Static Strap Kit          |

CONTROL SYSTEM





## CONTROL SYSTEM

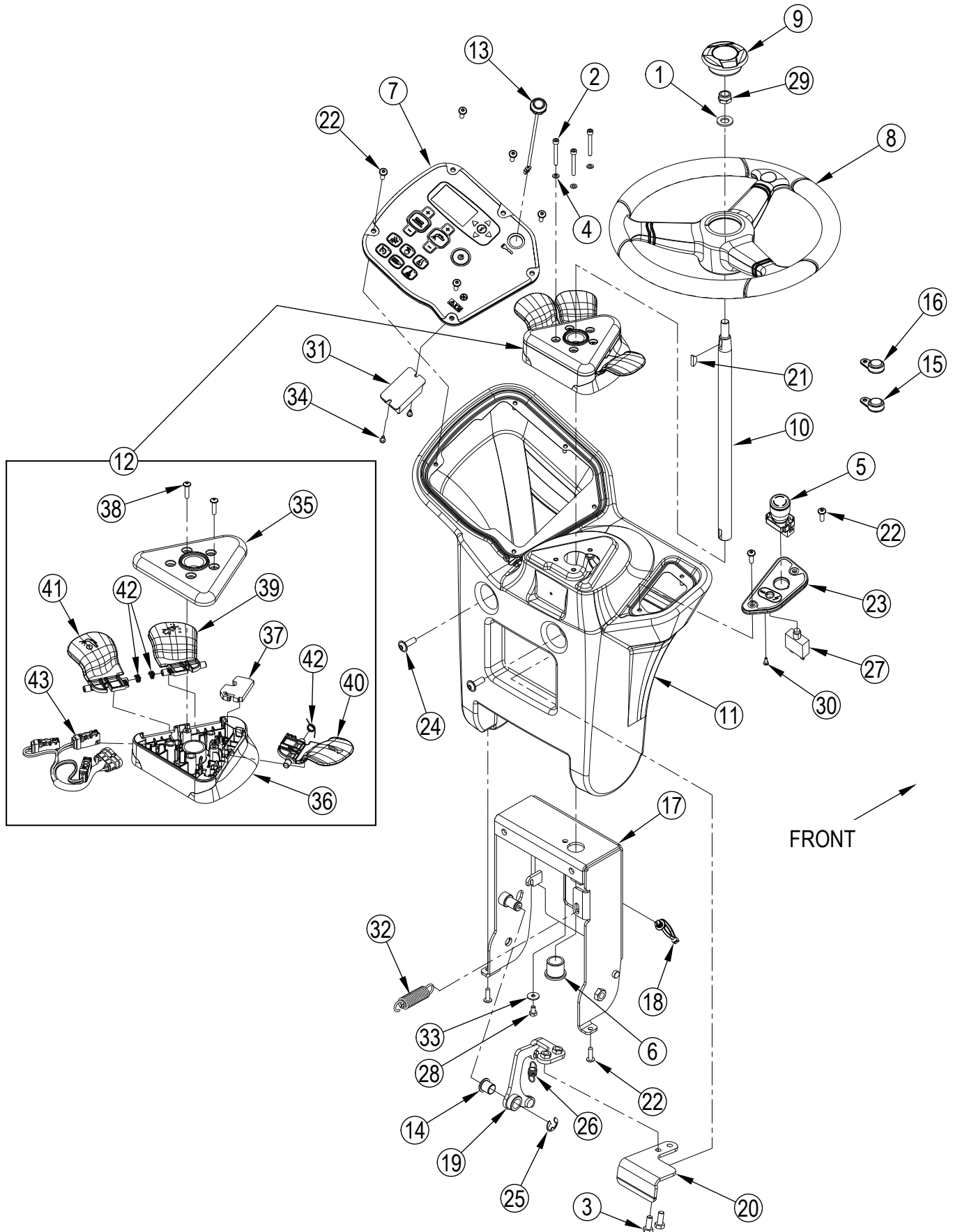
| Kit | Item | Ref. No. | Qty | Description  |
|-----|------|----------|-----|--|
| K8  | 1    |          | 1   | Screw M6x16 Hex Hd F/Thd                               |
| K7  | 2    |          | 4   | Screw M10x25 Hex Hd F/Thd                              |
| K8  | 3    |          | 1   | Nut, Hex Nyl Loc Thin M6                               |
| K3  | 4    |          | 2   | Washer, Flat 8.4x16x1.6                                |
| K7  | 5    |          | 4   | Washer, Flat 10.5x21                                   |
|     | 6    | 56116088 | 1   | Tank-Front Floor                                       |
|     | 7    |          | 1   | Steering Column Assembly<br><b>(See pages 7 and 9)</b> |
| K3  | 8    |          | 2   | Bracket-Mounting                                       |
| K4  | 9    |          | 1   | Clip-Floor Plate-Right                                 |
| K4  | 10   |          | 1   | Clip-Floor Plate-Left                                  |
|     | 11   | 56116779 | 1   | Floor Panel Assembly                                   |
|     | 12   | 56116792 | 1   | Actuator Panel Weldment                                |
| K9  | 13   |          | 6   | Screw M8x16 Iso7380 Flange Blk                         |
| K3  | 14   |          | 5   | Screw M6x25 Iso7380 Flange Blk                         |
| K8  | 15   |          | 1   | Bar-Seat Prop  |
| K8  | 16   |          | 1   | Bushing-.256x.393x.265in                               |
|     | 17   | 56118037 | 1   | Foot Pedal Assembly <b>(A11)</b>                       |
| K3  | 18   |          | 1   | Clip, Panel  |
| K4  | 19   |          | 4   | Washer Flat XI 5.5x15.0x1.6 Ss                         |
| K4  | 20   |          | 4   | Screw M5x12 Hex Hd F/Thd                               |
| K3  | 21   |          | 2   | Nut, Hex Nyl Loc M8 Ss                                 |
| K3  | 22   |          | 2   | Screw M8x30 Carriage                                   |
| K3  | 23   |          | 4   | Washer Flat XI 6x18x1.5 - Ss                           |
| K9  | 24   |          | 1   | Screw Flat Socket Head M6x30.0                         |
| K9  | 25   |          | 1   | Nut, Hex Nyl Loc Thin M6 Ss                            |
| K9  | 26   |          | 1   | Washer, Flat 10.5x21                                   |
| K9  | 27   |          | 1   | Pin- Bow-Tie Cotter 1/4 - 3/8                          |
|     | 28   | 56116538 | 1   | Seat Mount Weldment                                    |
|     | 29   | 56116656 | 1   | Seat Mount Weldment                                    |
| K9  | 30   |          | 2   | Bearing-Flange-10x12x5mm                               |
|     | 31   | 56116748 | 1   | Waste Bin-Seat Mount                                   |
|     | 32   | 56116791 | 1   | Bracket-Seat   |
| K9  | 33   |          | 1   | Nut, Cap M6 Uni 5721                                   |

| Kit   | Item | Ref. No.   | Qty | Description                      |
|-------|------|------------|-----|----------------------------------|
|       | 34   | 56116849   | 1   | Gasket-Adhesive 5x20x450mm       |
|       | 35   | 56116850   | 1   | Gasket-Adhesive 5x20x550mm       |
| K3    | 36   |            | 1   | Screw M8x35 Hex Hd F/Thd Ss      |
| K3    | 37   |            | 2   | Washer 8x24x2 Uni6593 Ss         |
| K9    | 38   |            | 1   | Lug, Brush Driver                |
| K3    | 39   |            | 1   | Screw M8x16 Hex Hd F/Thd Ss      |
| K3    | 40   |            | 2   | Washer, Flat 8.4x16x1.6          |
|       | 41   | 56116642   | 1   | Bracket-Floor Plate              |
|       | 42   | 56116747   | 1   | Cover-Steering Column            |
| K4,K7 | 43   |            | 4   | U-Nut-Long M6                    |
| K4,K7 | 44   |            | 4   | Screw M6x25 Iso7380 Flange Blk   |
| K3    | 45   |            | 2   | Screw M8x16 Hex Hd F/Thd Ss      |
| K3    | 46   |            | 2   | Screw M6x14 Hex Hd F/Thd Ss      |
|       | 47   | 56116600   | 1   | Standard Seat Kit <b>(48-53)</b> |
|       | 48   | 56001939   | 4   | Wsh, Flt Sae 5/16                |
|       | 49   | 56002035   | 4   | Scr-Hex 5/16-18 X .62            |
|       | 50   | 56002826   | 4   | Nut, Hex Nyl Loc-Thin 5/16-18    |
|       | 51   | 56109300   | 1   | Slide Kit, No Studs              |
|       | 52   | 56383292   | 1   | Seat-11.25in Mount               |
|       | 53   | 7-82-00050 | 1   | Switch Seat <b>(S1)</b>          |

**Service Kits**

|    |          |   |                           |
|----|----------|---|---------------------------|
| K3 | 56116901 | 1 | Hardware Kit-Floor Tank   |
| K4 | 56116903 | 1 | Hardware Kit-Floor Plate  |
| K7 | 56116987 | 1 | Hardware Kit-Lower Column |
| K8 | 56118051 | 1 | Prop Rod Kit              |
| K9 | 56116915 | 1 | Hardware Kit-Seat Area    |

## CONTROL SYSTEM-UPPER COLUMN ASSEMBLY



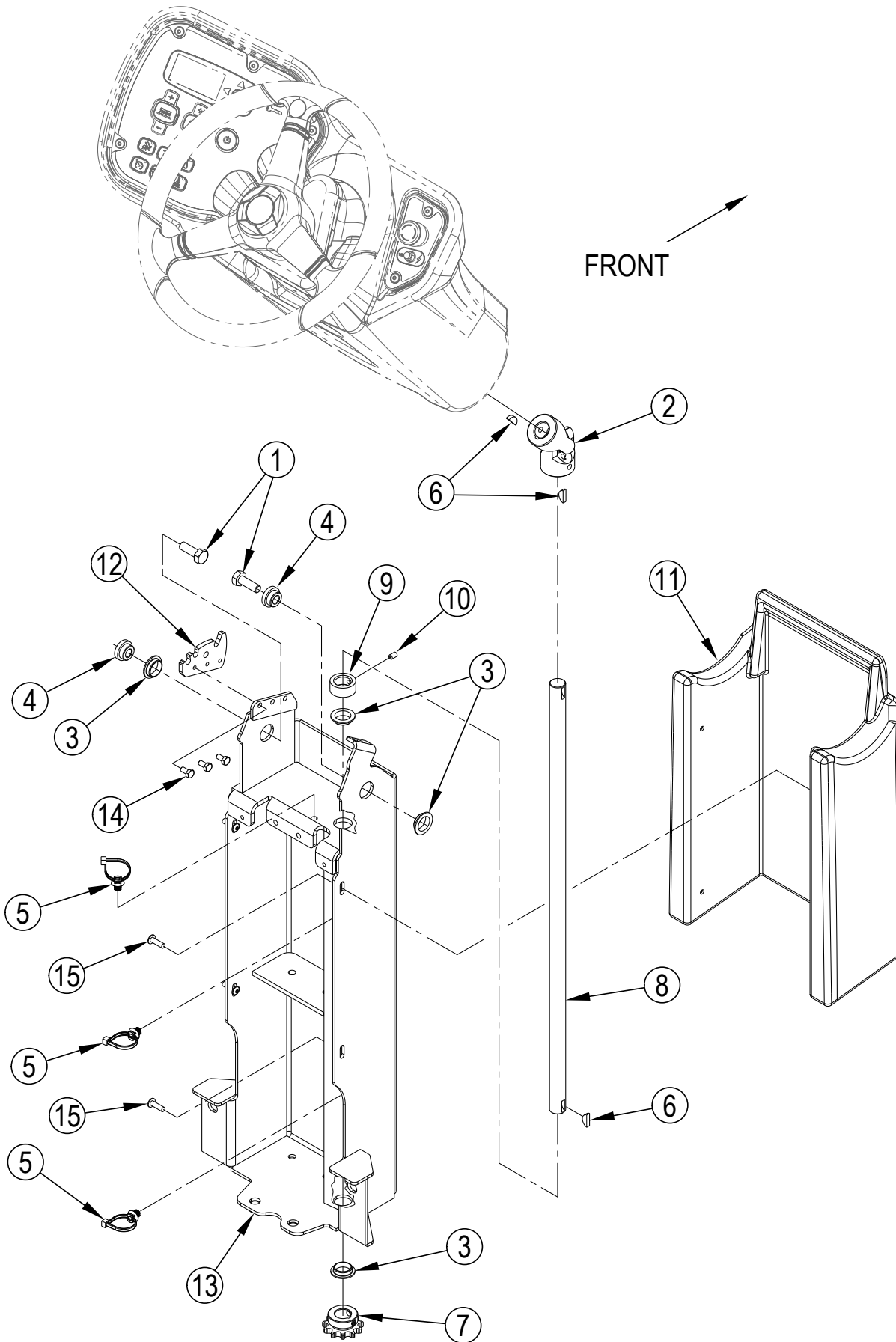
## CONTROL SYSTEM-UPPER COLUMN ASSEMBLY

| Kit | Item | Ref. No. | Qty | Description                            |
|-----|------|----------|-----|--|
| K6  | 1    |          | 1   | Washer, Flat 13x24                     |
| K2  | 2    |          | 3   | Screw Soc. Hd M5x40                    |
| K10 | 3    |          | 2   | Screw M8x20 Hex Hd F/Thd               |
| K2  | 4    |          | 3   | Washer, Flat 5,3x10                    |
|     | 5    | 56104247 | 1   | Emergency Disconnect ( <b>S2</b> )     |
|     | 6    | 56104407 | 1   | Bearing-Flange                         |
|     | 7    | 56116054 | 1   | Pcb Box Assembly                       |
|     |      | 56116056 | 1   | Membrane Panel Assembly                |
|     | 8    | 56116102 | 1   | Wheel-Steering                         |
|     | 9    | 56116122 | 1   | Cap-Steering Wheel                     |
|     | 10   | 56116165 | 1   | Shaft-Steering-Upper 20mm              |
|     | 11   | 56116312 | 1   | Shroud-Steering Column-Upper           |
|     | 12   |          | 1   | Paddle Assembly ( <b>35-43</b> )       |
|     | 13   | 56116477 | 1   | Ibutton-Probe                          |
| K10 | 14   |          | 1   | Bearing-Flange-14x16x17mm              |
|     | 15   | 56116518 | 1   | Smart Key-User ( <b>A10</b> )          |
|     | 16   | 56116519 | 1   | Smart Key-Supervisor                   |
|     | 17   | 56116580 | 1   | Steering Column Weldment-Upper         |
| K6  | 18   |          | 1   | Cable Tie Mount                        |
| K10 | 19   |          | 1   | Lever Weldment-Tilt                    |
| K10 | 20   |          | 1   | Handle-Tilt Lever                      |
| K6  | 21   |          | 1   | Key-Wdf 5x7.5x19 Uni6606               |
| K6  | 22   |          | 9   | Screw M6x20 Wn1451 Black Zn            |
|     | 23   | 56116802 | 1   | Mounting Panel-E-Stop Breaker          |
| K6  | 24   |          | 2   | Screw M8x25 Iso7380 Flange Blk         |
| K10 | 25   |          | 1   | Washer-Retaining 12mm Din6799          |
| K10 | 26   |          | 1   | Spring-Extension-0.50x1.25in           |
|     | 27   | 56507644 | 1   | Circuit Breaker, 10 Amp ( <b>CB1</b> ) |
| K6  | 28   |          | 1   | Screw M6x10 Hex Hd F/Thd Ss            |
| K6  | 29   |          | 1   | Nut, Hex Nyl Loc Thin M12              |
| K6  | 30   |          | 1   | Scr, Pan Phil M3.5x10                  |
|     | 31   | 40892A   | 1   | Relay Dpdt 36vdc ( <b>K1</b> )         |
|     | 32   | 56116846 | 1   | Spring-Extension 0.75x3.00In           |
| K6  | 33   |          | 1   | Washer Flat XI 6x18x1.5                |
| K6  | 34   |          | 2   | Scr, Pan Phil M4x10                    |
| K2  | 35   |          | 1   | Housing-Paddle-Cover                   |
| K2  | 36   |          | 1   | Housing-Paddle                         |
| K2  | 37   |          | 1   | Plate-Blank-Paddle                     |
| K2  | 38   |          | 2   | Screw M5x20 Wn1451 Black Zn            |
| K1  | 39   |          | 1   | Paddle-Boost Of Power                  |
| K1  | 40   |          | 1   | Paddle-Horn                            |
| K1  | 41   |          | 1   | Paddle-Solution                        |
| K1  | 42   |          | 3   | Spring-Torsion .33in-135deg            |
|     | 43   | 56116529 | 1   | Harness-Paddle                         |

**Service Kits**

|     |          |   |                           |
|-----|----------|---|---------------------------|
| K1  | 56116913 | 1 | Paddle Kit                |
| K2  | 56116914 | 1 | Paddle Housing Kit        |
| K6  | 56118052 | 1 | Hardware Kit-Upper Column |
| K10 | 56118066 | 1 | Column Tilt Kit           |

### CONTROL SYSTEM-LOWER COLUMN ASSEMBLY



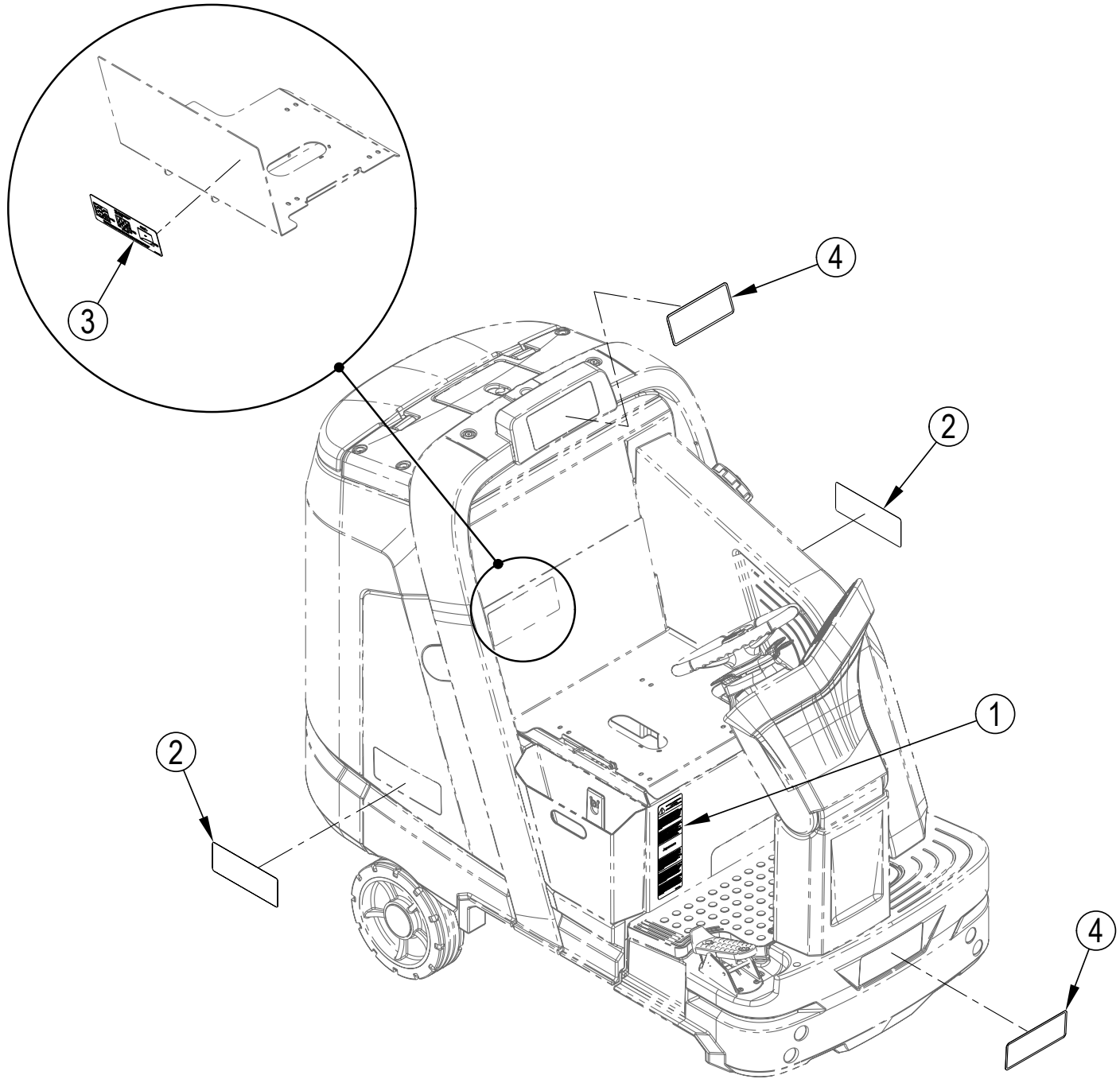
**CONTROL SYSTEM-LOWER COLUMN ASSEMBLY**

| <b>Kit</b> | <b>Item</b> | <b>Ref. No.</b> | <b>Qty</b> | <b>Description</b>                  |
|------------|-------------|-----------------|------------|-------------------------------------|
| K5,K7      | 1           |                 | 2          | Screw M10x30 Hex Hd F/Thd           |
|            | 2           | 56116169        | 1          | Joint-Universal                     |
| K5,K7      | 3           |                 | 4          | Bearing-Flange-20x23x7mm            |
| K5         | 4           |                 | 2          | Bushing-Flange-10x20x12mm           |
| K5         | 5           |                 | 3          | Cable Tie Mount                     |
| K5,K7      | 6           |                 | 3          | Key-Wdf 5x7.5x19 Uni6606            |
|            | 7           | 56104269        | 1          | Sprocket-11 Tooth                   |
|            | 8           | 56116163        | 1          | Shaft-Steering-Lower-20mm           |
| K7         | 9           |                 | 1          | Collar-Shaft-20x32x14mm             |
| K7         | 10          |                 | 1          | Screw M6x1.0x10 Soc.Set Cylindrical |
|            | 11          | 56116278        | 1          | Shroud-Steering Column-Lower        |
|            | 12          | 56116323        | 1          | Plate-Tilt Adjustment               |
|            | 13          | 56116570        | 1          | Steering Column Weldment-Lower      |
| K7         | 14          |                 | 3          | Screw M6x12 Hex Hd F/Thd Ss         |
| K7         | 15          |                 | 4          | Screw M6x20 Wn1451 Black Zn         |

**Service Kits**

|    |          |   |                           |
|----|----------|---|---------------------------|
| K5 | 56116904 | 1 | Hardware Kit-Column       |
| K7 | 56116987 | 1 | Hardware Kit-Lower Column |

# DECAL SYSTEM



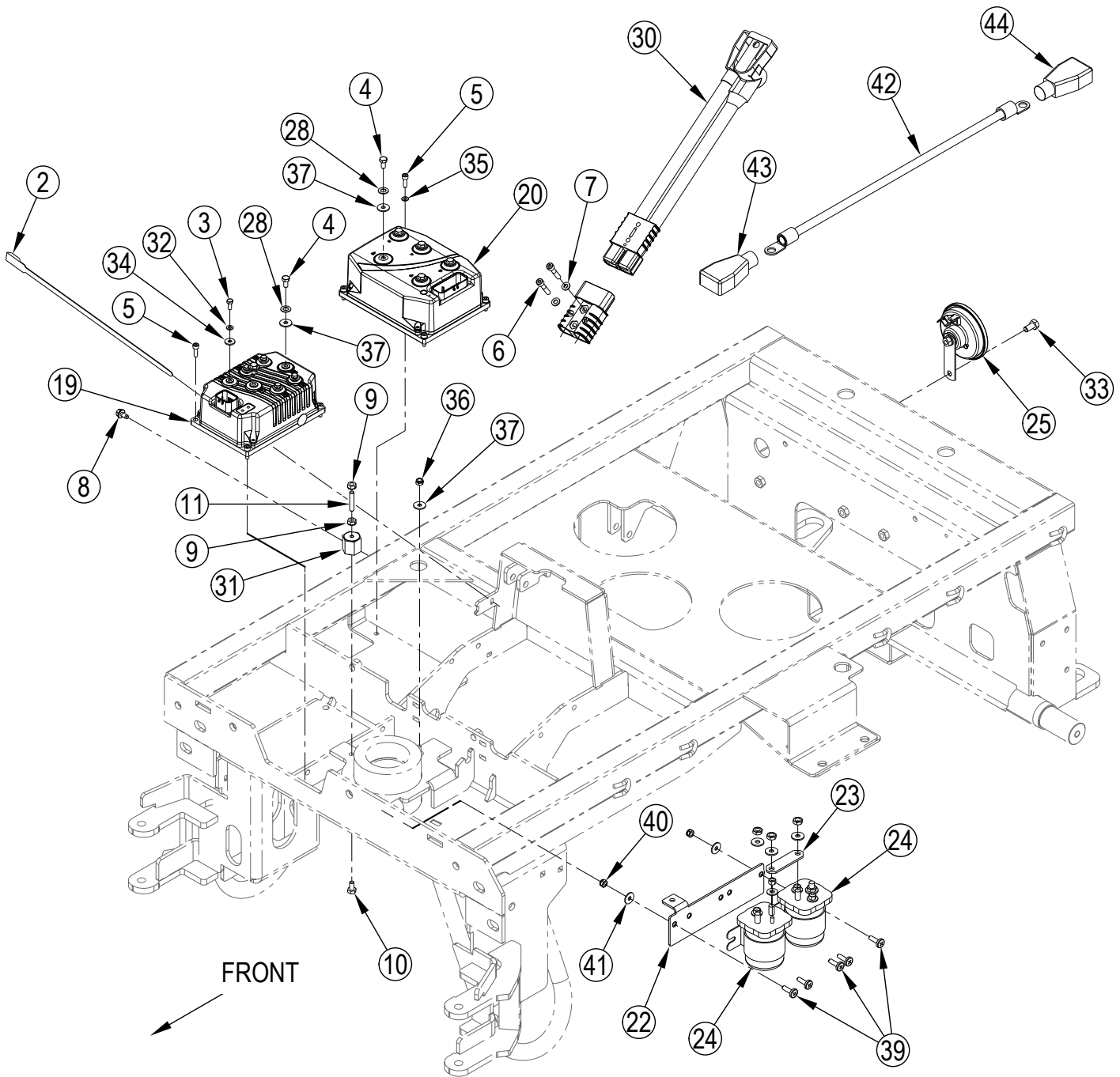
**DECAL SYSTEM**

| <b>Kit</b> | <b>Item</b> | <b>Ref. No.</b> | <b>Qty</b> | <b>Description</b>               |
|------------|-------------|-----------------|------------|----------------------------------|
| K1         | 1           |                 | 1          | Decal, Caution                   |
| K1         | 2           |                 | 2          | Decal-SC6000-Advance             |
| K1         |             |                 | 2          | Decal-SC6000-Ecoflex-Advance     |
| K1         | 3           |                 | 1          | Decal-Battery Wiring 36V         |
| K1         | 4           |                 | 2          | Decal Advance Rectangular 210x83 |

**Service Kits**

|    |          |   |                    |
|----|----------|---|--------------------|
| K1 | 56118068 | 1 | Decal Kit-Americas |
|----|----------|---|--------------------|

# ELECTRICAL SYSTEM





## ELECTRICAL SYSTEM

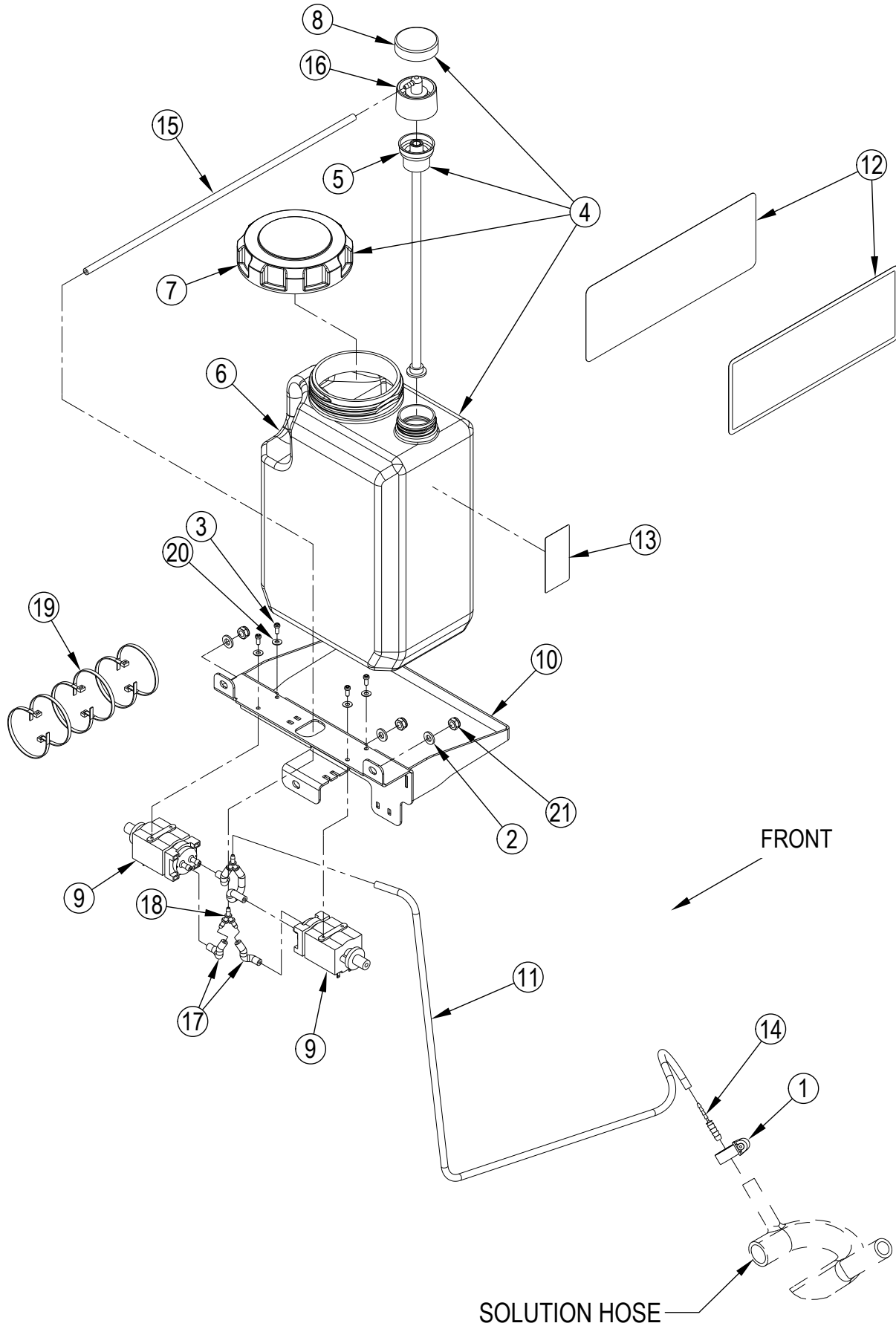
| Kit   | Item | Ref. No.   | Qty | Description  |
|-------|------|------------|-----|--|
| K2    | [1]  |            | 20  | Clamp 290x4.8  |
| K2    | 2    |            | 1   | Clamp 9x350  |
| K3    | 3    |            | 5   | Screw M5x12 Hex Hd F/Thd   |
| K3    | 4    |            | 7   | Screw M6x12 Hex Hd F/Thd   |
| K3    | 5    |            | 8   | Screw Soc. Hd M5x16 SS   |
| K2    | 6    |            | 2   | Screw Soc. Hd M6x30  |
| K2    | 7    |            | 2   | Washer, Flat 6,4x12,5  |
| K2    | 8    |            | 1   | Screw Thread Rolling M6x12   |
| K1    | 9    |            | 2   | Nut, Hex W/ Shprf 1/4-20   |
| K1    | 10   |            | 1   | Scr- Hex Ss 1/4-20 X .50   |
| K1    | 11   |            | 1   | Stud, 1/4-20   |
|       | [12] | 56116050   | 1   | Harness-Main   |
|       | [ ]  | 56115432   | 1   | Fuse-150 Amp   |
|       | [13] | 56116059   | 1   | Harness-Traction   |
|       | [14] | 56116061   | 1   | Cable-Speed Controller-Red   |
|       | [15] | 56116062   | 1   | Cable-Speed Controller-Black                                       |
|       | [16] | 56116063   | 1   | Cable-Power Module-Red   |
|       | [17] | 56116064   | 1   | Cable-Power Module-Black   |
|       | [18] | 56116065   | 1   | Harness-Machine Power  |
|       | 19   | 56116087   | 1   | Module-High Power <b>(E3)</b>                                      |
|       | 20   | 56116131   | 1   | Speed Control <b>(E4)</b>  |
|       | 21   |            | 1   | Contactor Assembly <b>(Power Module K2, / Speed Controller K3)</b> |
|       | 22   | 56116300   | 1   | Plate-Contactor Mounting   |
|       | 23   | 56116345   | 1   | Bus Bar-Contactor  |
|       | 24   | 56303198   | 2   | Contactor 36v Type 4 <b>(K2, K3)</b>                               |
|       | 25   | 56116375   | 1   | Horn-36v <b>(H1)</b>   |
|       | [26] | 56116396   | 1   | Harness-Vacuum Float   |
| K2    | [27] |            | 20  | Cable Tie Mount  |
| K3    | 28   |            | 7   | Washer Int Lock M6 Din6798jss                                      |
|       | [29] | 56116909   | 1   | Harness-Seat Switch  |
|       | 30   | 56116977   | 1   | Harness Assembly-Battery   |
| K1    | 31   |            | 1   | Electrical Mount   |
| K3    | 32   |            | 5   | Washer, Ext. Shprf Ø 5 SS  |
| K2    | 33   |            | 1   | Screw M8x16 Hex Hd F/Thd SS  |
| K3    | 34   |            | 5   | Washer Flat XI 5.5x15.0x1.6ss                                      |
|       | 35   | L08241500  | 4   | Washer, Flat 5.3x10x1 SS   |
| K2    | 36   |            | 1   | Nut, Hex Nyl Loc Thin M6ss   |
| K2,K3 | 37   |            | 8   | Washer Flat XI 6x18x1.5 -SS  |
| K2    | [38] |            | 15  | Tie, Cable 4.8x430   |
| K4    | 39   |            | 5   | Scr, Pan Phil M6x20  |
| K4    | 40   |            | 2   | Nut, Hex Nyl Loc Thin M6 SS  |
| K4    | 41   |            | 2   | Washer Flat XI 6x18x1.5 – SS                                       |
|       | 42   | 56409485   | 5   | Cable Assembly 1 x 15.00   |
|       | 43   | 2-00-05173 | 5   | Bat Terminal Cover (BLK)   |
|       | 44   | 2-00-05171 | 5   | Bat Terminal Cover (RED)   |

**Service Kits**

|    |          |   |                                 |
|----|----------|---|---------------------------------|
| K1 | 56118049 | 1 | Electrical Mount Kit            |
| K2 | 56116992 | 1 | Hardware Kit-Electrical         |
| K3 | 56116926 | 1 | Hardware Kit-Controllers        |
| K4 | 56116993 | 1 | Hardware Kit-Contactor Assembly |

[ ] = Not Shown

### ECOFLEX™ ASSEMBLY



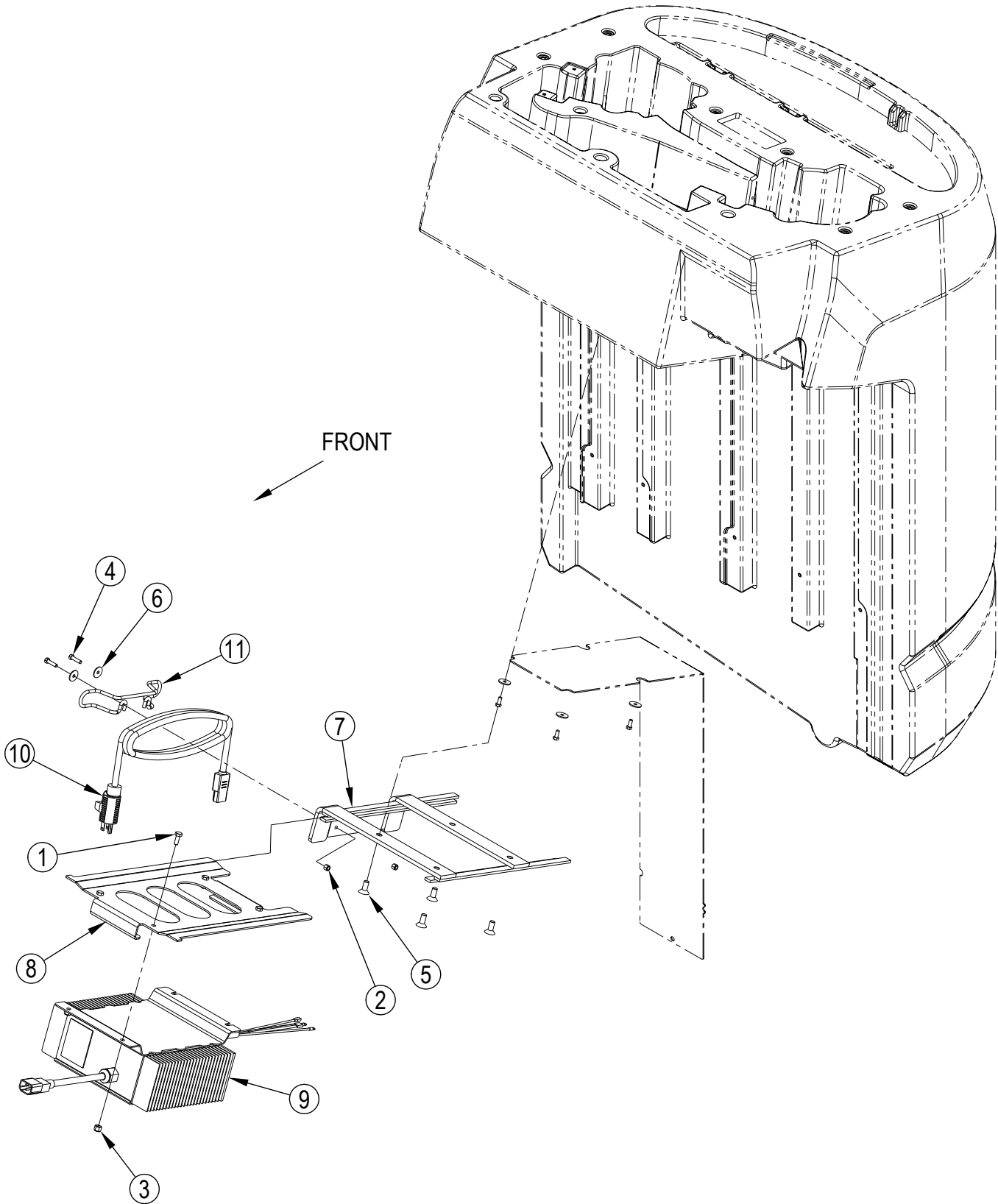
**ECOFLEX™ ASSEMBLY**

| <b>Kit</b> | <b>Item</b> | <b>Ref. No.</b> | <b>Qty</b> | <b>Description</b>                   |
|------------|-------------|-----------------|------------|--------------------------------------|
| K2         | 1           |                 | 1          | Clamp, Hose 09/12-22                 |
| K3         | 2           |                 | 3          | Washer, Flat 6,4x12,5                |
| K3         | 3           |                 | 4          | Scr, Pan Phil Thd Form 6-32 X .31    |
|            | 4           | 56104190        | 1          | EcoFlex Bottle Assy                  |
|            | 5           | 56104189        | 1          | Insert-Dry Break                     |
|            | 6           | 56104408        | 1          | Chemical Bottle Assembly             |
|            | 7           | 56315517        | 1          | Cap, Raw                             |
|            | 8           | 56315690        | 1          | Cap, 38mm Buttress                   |
|            | 9           | 56110742        | 2          | Pump, Detergent, 12v <b>(M8, M9)</b> |
|            | 10          | 56116726        | 1          | Bracket Weldment                     |
| K2         | 11          |                 | 1          | Hose 1/8 Id X 32 Lg                  |
| K1         | 12          |                 | 2          | Decal-SC6000-Ecoflex-Advance         |
| K1         | 13          |                 | 1          | Decal-Chemical Ratio                 |
| K2         | 14          |                 | 1          | Reducer, Barb                        |
| K2         | 15          |                 | 1          | Hose, Chem Resistant, 14             |
|            | 16          | 56315523        | 1          | Cap Dry Break 1/8 Barb               |
| K2         | 17          |                 | 4          | Hose, Chem Resistant, 2.00           |
| K2         | 18          |                 | 2          | Fitting, Y, Barb, .125               |
| K3         | 19          |                 | 6          | Clamp Black                          |
|            | 20          | L08200800       | 4          | Washer, Flat 4x9x0.8 Ss              |
| K3         | 21          |                 | 3          | Nut, Hex Nyl Loc Thin M6 Ss          |

**Service Kits**

|    |          |   |                      |
|----|----------|---|----------------------|
| K1 | 56116999 | 1 | Decal Kit-Ecoflex    |
| K2 | 56116940 | 1 | Hose Kit-Ecoflex     |
| K3 | 56116941 | 1 | Hardware Kit-Ecoflex |

# ONBOARD-CHARGER-ASSEMBLY



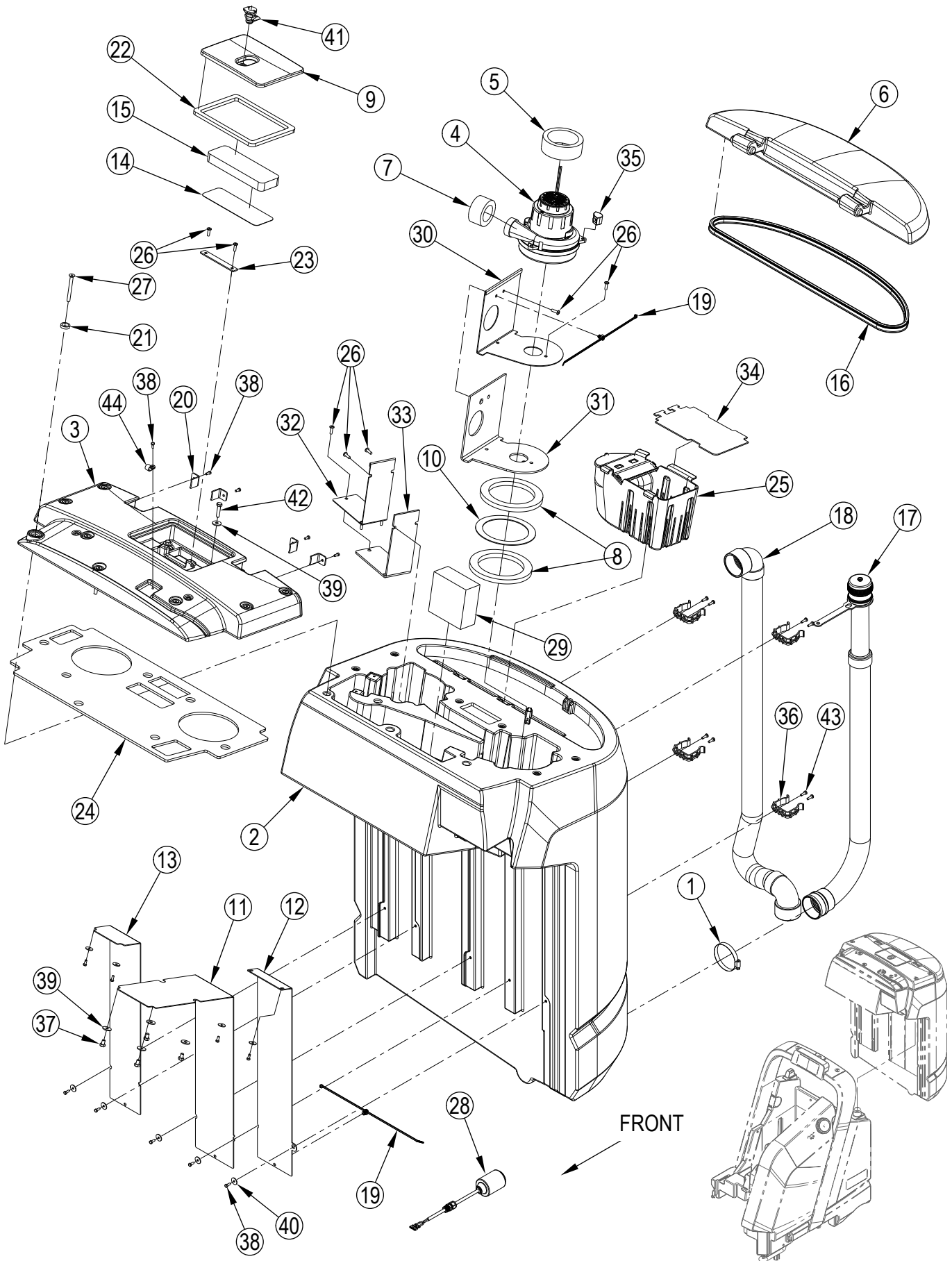
**ONBOARD-CHARGER-ASSEMBLY**

| <b>Kit</b> | <b>Item</b> | <b>Ref. No.</b> | <b>Qty</b> | <b>Description</b>               |
|------------|-------------|-----------------|------------|----------------------------------|
| K1         | 1           |                 | 4          | Scr, Hex Thd To Hd M6-1 X 16mm   |
| K1         | 2           |                 | 2          | Nut-Hex Nyl Loc M5-0.8           |
| K1         | 3           |                 | 4          | Nut-Hex Nyl Loc M6-1             |
| K1         | 4           |                 | 2          | Scr-Hex M5-0.8 X 20mm            |
| K1         | 5           |                 | 4          | Scr-Fit Soc M8-1.25 X 20mm       |
| K1         | 6           |                 | 2          | Wsh-Fit Ss .204 X .750 X .050    |
|            | 7           | 56116628        | 1          | Mount Weldt-Onboard Charger      |
|            | 8           | 56116631        | 1          | Bracket-Onboard Charger Mount    |
|            | 9           | 56315774        | 1          | Charger-On Board 36v <b>(E1)</b> |
|            | 10          | 56383385        | 1          | Cord Charger Yellow Us           |
|            | 11          | 9095149000      | 1          | Cable Support                    |

**Service Kits**

|    |          |   |                              |
|----|----------|---|------------------------------|
| K1 | 56116947 | 1 | Hardware Kit-Onboard Charger |
|----|----------|---|------------------------------|

RECOVERY SYSTEM



## RECOVERY SYSTEM

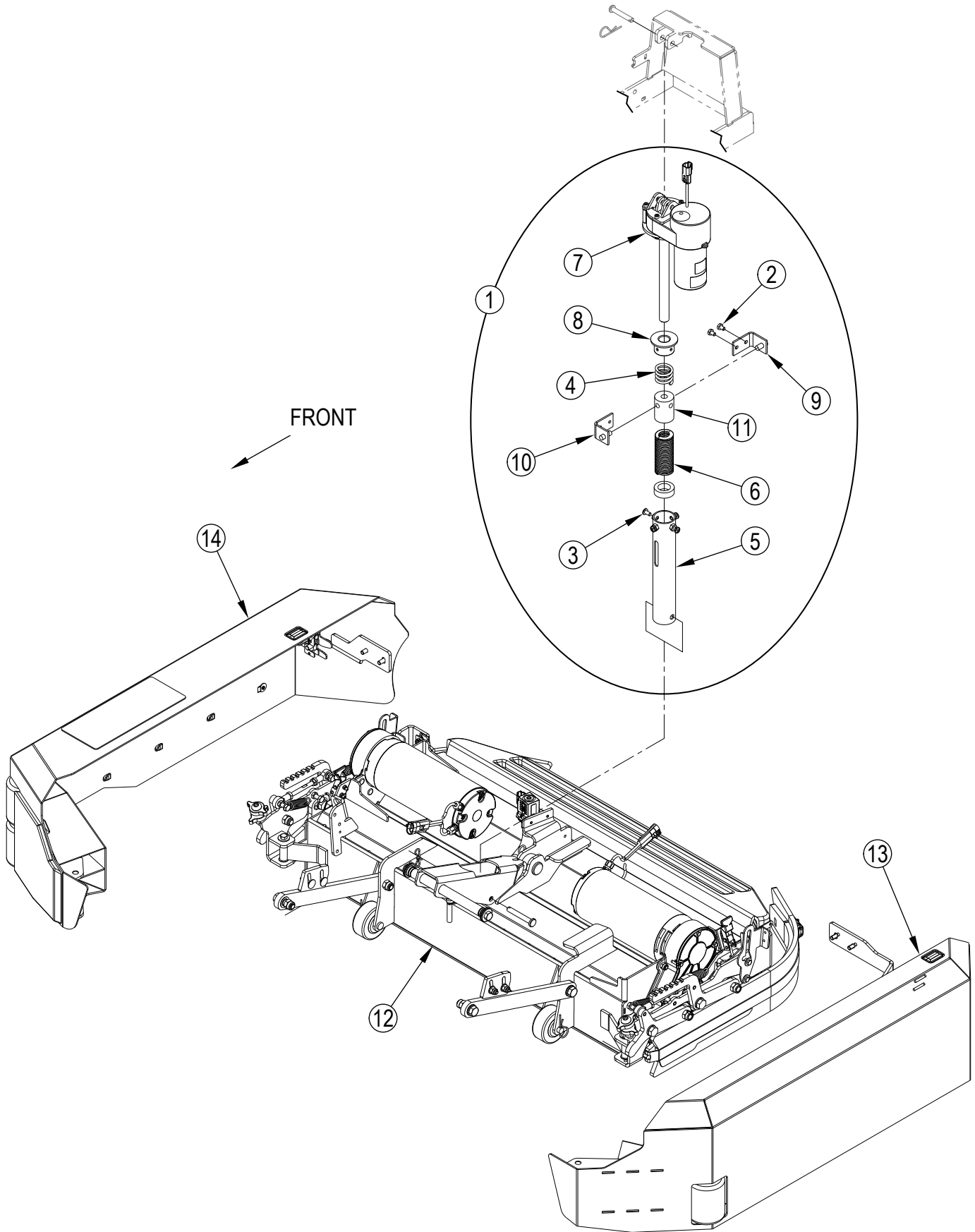
| Kit      | Item | Ref. No. | Qty | Description                 |
|----------|------|----------|-----|-----------------------------|
|          | 1    | 33003458 | 1   | Clamp, Hose 8/62-82 W2      |
|          | 2    | 56116093 | 1   | Tank-Recovery               |
|          | 3    | 56116104 | 1   | Cover-Vacuum Motor          |
|          | 4    | 56116105 | 1   | Motor-Vacuum 36vdc (M4)     |
|          |      | 56116107 | 1   | Vacuum Motor Brush Kit      |
| K5       | 5    |          | 1   | Seal-Inlet                  |
| K4       | 6    | 56116111 | 1   | Cover-Recovery Tank         |
| K5       | 7    |          | 1   | Seal-Exhaust                |
| K5       | 8    |          | 2   | Seal-Vacuum Motor Inlet     |
| K6       | 9    |          | 1   | Cover-Filter                |
| K5       | 10   |          | 1   | Plate-Gasket Mount          |
| K1       | 11   |          | 1   | Panel-Exhaust               |
| K1       | 12   |          | 1   | Panel-Vacuum Motor Exhaust  |
| K1       | 13   |          | 1   | Panel-Vacuum Exhaust-Dual   |
| K6       | 14   | 56116392 | 1   | Screen-Filter               |
| K6       | 15   | 56116394 | 1   | Filter-Vacuum Inlet         |
|          | 16   | 56116486 | 1   | Seal-Recovery Cover         |
|          | 17   | 56116500 | 1   | Drain Hose Assembly         |
|          | 18   | 56116537 | 1   | Squeegee Hose Assembly      |
| K1,K7    | 19   |          | 2   | Cable Tie-Mount             |
| K3       | 20   |          | 4   | Retainer-Hinge              |
| K7       | 21   |          | 8   | Washer-Cosmetic-Ss-M8       |
| K6       | 22   |          | 1   | Gasket-Vacuum Filter Cover  |
| K6       | 23   |          | 1   | Catch-Cover                 |
|          | 24   | 56116698 | 1   | Gasket-Vacuum Cover         |
|          | 25   | 56116722 | 1   | Debris Tray Assembly        |
| K4,K6,K7 | 26   |          | 10  | Screw M6x20 Wn1451 Black Zn |

| Kit      | Item | Ref. No.   | Qty | Description                  |
|----------|------|------------|-----|------------------------------|
| K7       | 27   |            | 8   | Screw M8x80 Din7991 Ss Black |
|          | 28   | 56116842   | 1   | Switch-Float Mechanical 120v |
| K4       | 29   | 56118005   | 1   | Seal-Vacuum Block            |
| K4       | 30   |            | 1   | Plate-Seal                   |
| K4       | 31   |            | 1   | Gasket-Seal Vacuum           |
| K4       | 32   |            | 1   | Plate-Seal Vacuum            |
| K4       | 33   |            | 1   | Gasket-Vacuum                |
|          | 34   | 56118017   | 1   | Flap-Debris Tray             |
| K5       | 35   |            | 3   | Mount, Vibration             |
| K2       | 36   |            | 4   | Clamp, Plastic               |
| K1       | 37   |            | 4   | Screw M8x12 Hex Hd F/Thd Ss  |
| K1,K3,K7 | 38   |            | 14  | Screw M5x12 Hex Hd F/Thd     |
| K1,K7    | 39   |            | 6   | Washer 8x24x2 Uni6593 Ss     |
| K1       | 40   |            | 9   | Washer Flat XI 5.5x20.0x1.6  |
| K6       | 41   | 1464896000 | 1   | Latch With Fold Away         |
| K7       | 42   |            | 2   | Screw M8x35 Hex Hd F/Thd Ss  |
| K2       | 43   |            | 8   | Scr.Pan Phil M5x16 Ss        |
| K7       | 44   |            | 1   | Clamp, Cable Ø12.7           |

## Service Kits

|    |          |   |                              |
|----|----------|---|------------------------------|
| K1 | 56116920 | 1 | Panel Kit-Recovery Tank      |
| K2 | 56116988 | 1 | Hose Clip Kit                |
| K3 | 56116921 | 1 | Door Retainer Kit            |
| K4 | 56116989 | 1 | Shut-Off Plate Kit-Single    |
| K5 | 56116922 | 1 | Vacuum Motor Seal Kit        |
| K6 | 56116990 | 1 | Filter Cover Kit             |
| K7 | 56116991 | 1 | Hardware Kit-Recovery System |

### SCRUB SYSTEM-CYLINDRICAL





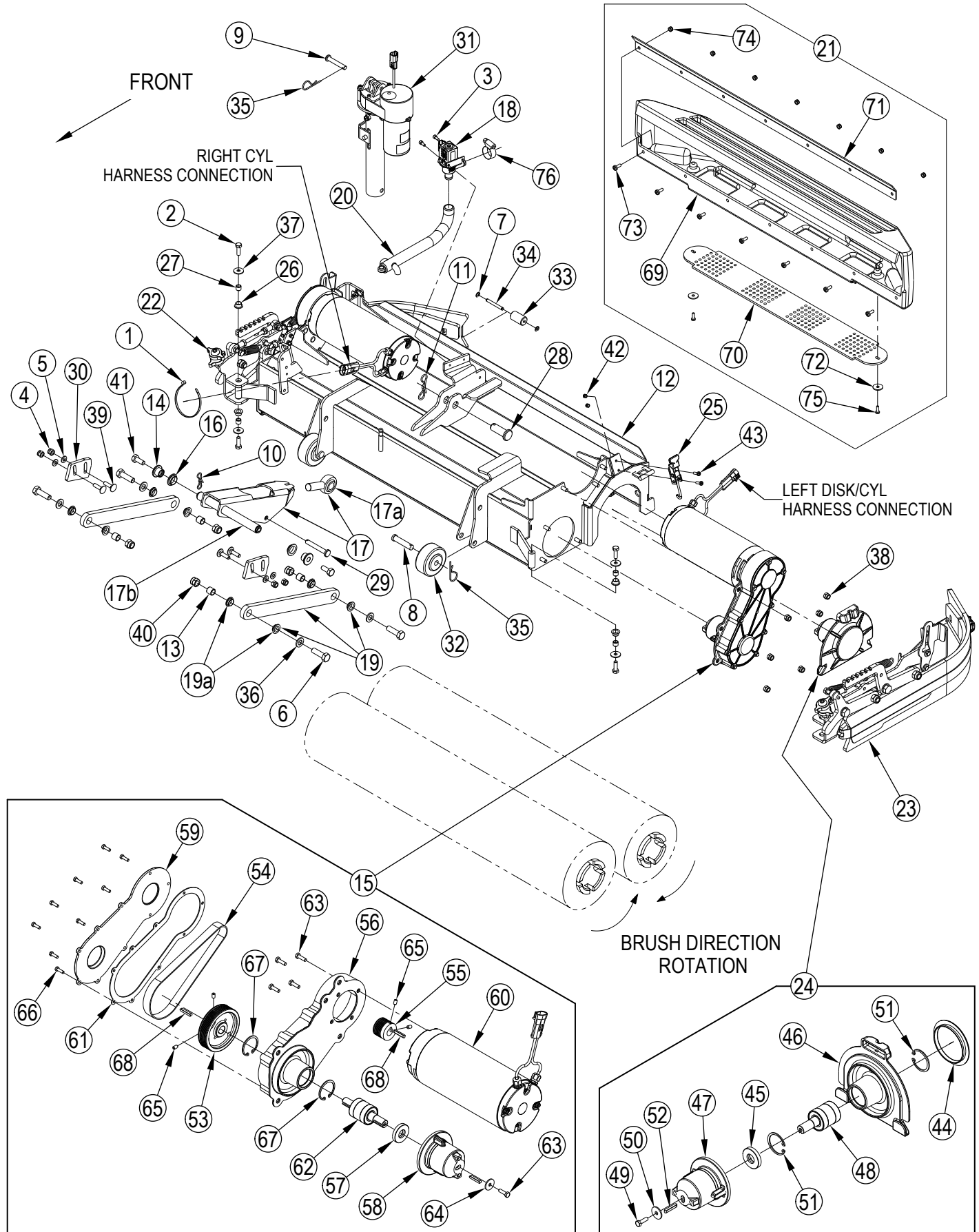
**SCRUB SYSTEM-CYLINDRICAL**

| <b>Kit</b> | <b>Item</b> | <b>Ref. No.</b> | <b>Qty</b> | <b>Description</b>                 |
|------------|-------------|-----------------|------------|------------------------------------|
|            | 1           |                 | 1          | Complete Actuator Assembly (M7)    |
| K1         | 2           |                 | 2          | Scr, Hex Thd Form 1/4-20 X0.38     |
| K1         | 3           |                 | 4          | Scr, Pan Phil Thd Form 1/4-20x .50 |
| K1         | 4           |                 | 1          | Spring-Compression 1.40x1.40in     |
| K1         | 5           |                 | 1          | Spring Housing Weldment            |
| K1         | 6           |                 | 1          | Spring-Compression-1.44x3.50 In    |
| K1         | 7           | 56118041        | 1          | Actuator Assembly-Heavy Duty       |
| K1         | 8           |                 | 1          | Spring Housing Guide               |
| K1         | 9           |                 | 1          | Nut Retainer                       |
| K1         | 10          |                 | 1          | Nut Retainer                       |
| K1         | 11          | 56388520        | 1          | Nut, Plastic                       |
|            | 12          |                 | 1          | Cylindrical Scrub Assembly-36c     |
|            | 13          |                 | 1          | Door Assembly-Left-40d/36c         |
|            | 14          |                 | 1          | Door Assembly-Right-36c            |

**Service Kits**

|    |          |   |                             |
|----|----------|---|-----------------------------|
| K1 | 56118048 | 1 | Spring Housing Kit-Actuator |
|----|----------|---|-----------------------------|

SCRUB SYSTEM-CYLINDRICAL-DECK ASSEMBLY



## SCRUB SYSTEM-CYLINDRICAL-DECK ASSEMBLY

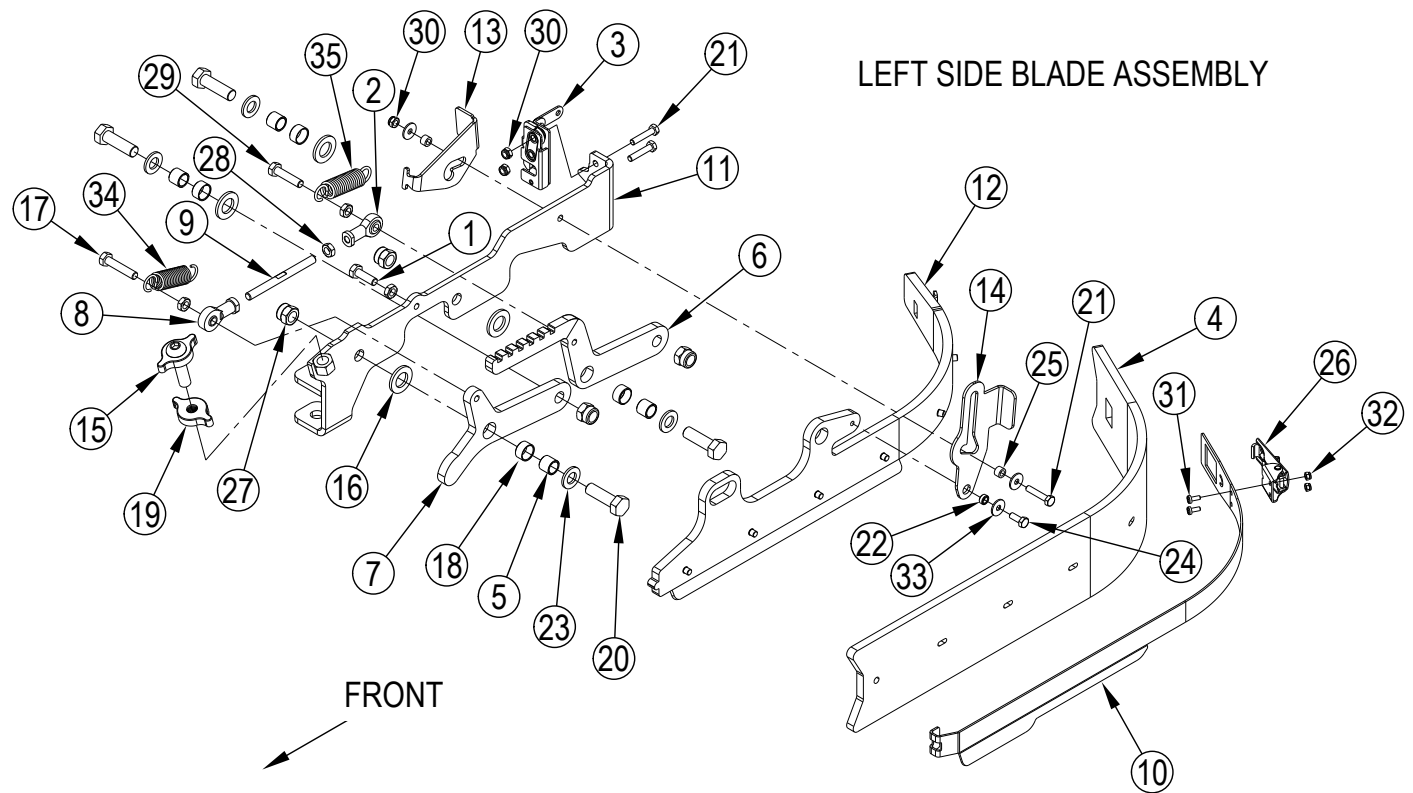
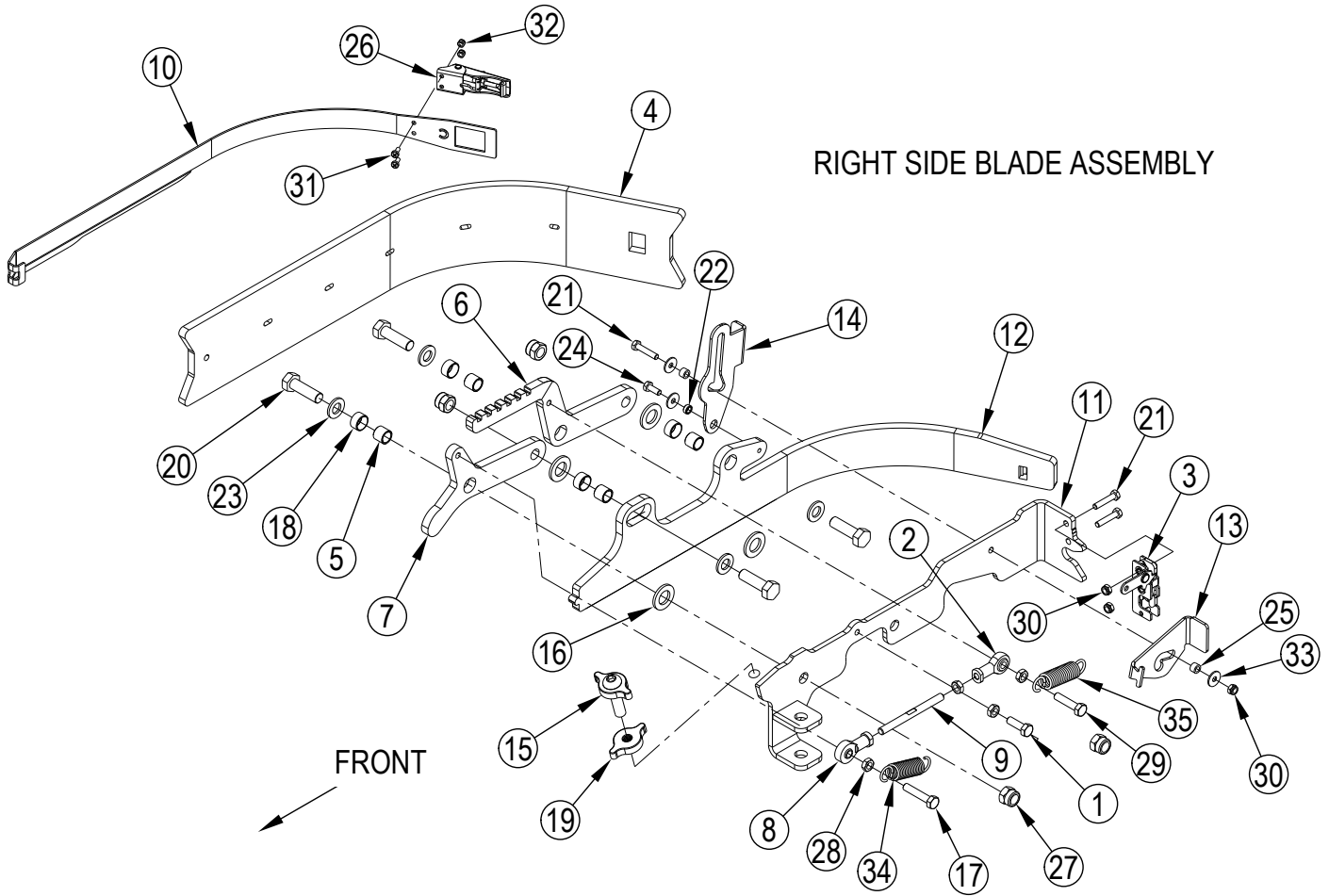
| Kit       | Item | Ref. No. | Qty | Description                                      | Kit       | Item | Ref. No. | Qty | Description                         |
|-----------|------|----------|-----|--|-----------|------|----------|-----|-------------------------------------|
| K28       | 1    |          | 1   | Clamp 290x4.8                                    | K26       | 51   |          | 2   | Ring D 40 Uni7437                   |
| K29       | 2    |          | 4   | Screw M8x25 Hex Hd F/Thd Ss                      | K23       | 52   |          | 1   | Key 5x5x30 Din6885                  |
| K16       | 3    |          | 2   | Screw Soc. Hd M5x12 Ss                           | K24       | 53   |          | 1   | Sheave 95mm-8 Rib                   |
| K10       | 4    |          | 4   | Nut, Hex Nyl Loc Hvy M8                          | K21       | 54   |          | 1   | Belt-Self Tension-8 Rib             |
| K10       | 5    |          | 4   | Washer, Flat 8.4x16x1.6                          | K24       | 55   |          | 1   | Sheave 1.50in-8 Rib                 |
| K2        | 6    |          | 4   | Scr M12x40 Hex 10.9 Iso4017                      | K22       | 56   |          | 1   | Housing-Cylindrical Drive           |
| K20       | 7    |          | 4   | Ring, Ret Ext Type E Reinf. 0.25 Dia             | K22       | 57   |          | 1   | Seal-Oil                            |
| K20       | 8    |          | 2   | Clevis Pin                                       | K23       | 58   |          | 1   | Lug-Cylindrical Deck Drive          |
| K13       | 9    |          | 1   | Pin-Clevis .375 X 2.25                           | K25       | 59   |          | 1   | Cover-Belt Housing                  |
| K13       | 10   |          | 1   | Pin- Bow-Tie Cotter 7/16 - 1/2                   |           | 60   | 56116159 | 1   | Motor-36vdc-1900rpm-1hp (M1, M2)    |
| K28       | 11   |          | 1   | Pin-Bow Tie Cotter 3/4                           |           | [ ]  | 56422152 | 1   | Kit, Wheel Drive Brushes            |
|           | 12   | 56116069 | 1   | Cylindrical Scrub Deck Weldt                     | K25       | 61   |          | 1   | Gasket-Cyl Drive Housing            |
| K2        | 13   |          | 4   | Bushing-12.5x16x14.48mm                          | K22       | 62   |          | 1   | Shaft Assembly-Brush                |
| K1        | 14   |          | 2   | Bushing-Lift Arm Pivot                           | K22,K2363 |      |          | 5   | Screw M6x20 Hex Hd F/Thd Ss         |
|           | 15   |          | 2   | Cylindrical Drive Housing Assy (53-68)           | K23       | 64   |          | 1   | Washer Flat XI 6.6x24.0x2.0 Ss      |
| K1        | 16   |          | 2   | Bearing-Flange-20x23x7mm                         | K24       | 65   |          | 4   | Screw M6x1.0x10 Soc.Set Cylindrical |
| K1        | 17   |          | 1   | Deck Lift Arm Assembly                           | K25       | 66   |          | 9   | Screw M5x16 Hex Hd F/Thd Ss         |
| K1        | 17a  |          | 1   | Rod End-Spherical-18mm-Male                      | K22       | 67   |          | 2   | Ring D 40 Uni7437                   |
| K1        | 17b  |          | 1   | Lift Arm Weldment                                | K23,K2468 |      |          | 3   | Key 5x5x30 Din6885                  |
| K16,K1718 |      |          | 1   | Valve-Solenoid-36vdc (L1)                        |           | 69   |          | 1   | Hopper-36 Inch                      |
| K2        | 19   |          | 2   | Deck Trailing Arm Assembly                       | K19       | 70   |          | 1   | Screen-Hopper-36in                  |
| K2        | 19a  |          | 8   | Bearing-Flange-16x18x6mm                         |           | 71   |          | 1   | Threshold-Hopper-36in               |
|           | 20   | 56116468 | 1   | Hose-Solution Feed-Cylindrical                   | K19       | 72   |          | 2   | Washer Flat XI 6.6x24.0x2.0 Ss      |
|           | 21   | 56116483 | 1   | Hopper Assembly-36in (69-75)                     |           | 73   |          | 7   | Scr, Pan Phil M6x16 Ss              |
|           | 22   | 56116523 | 1   | Side Blade Assembly-Right (pages 26-27)          |           | 74   |          | 7   | Nut, Hex Nyl Loc Thin M6 Ss         |
|           | 23   | 56116524 | 1   | Side Blade Assembly-Left (pages 26-27)           | K19       | 75   |          | 2   | Scr,Pan Phil M5x16 Ss               |
|           | 24   |          | 2   | Idler Assembly (44-52)                           | K16       | 76   |          | 1   | Clamp, Hose 15-24 Size8             |
| K18       | 25   |          | 2   | Latch-Draw                                       |           |      |          |     |                                     |
| K29       | 26   |          | 4   | Bearing-Flange-12x14x9mm                         |           |      |          |     |                                     |
| K29       | 27   |          | 4   | Bushing  |           |      |          |     |                                     |
| K28       | 28   |          | 1   | Pin-Clevis 18x50 Iso2341-B                       |           |      |          |     |                                     |
| K13       | 29   |          | 1   | Pin-Clevis 10x70 Iso2341-B                       |           |      |          |     |                                     |
| K10       | 30   |          | 2   | Plate-Stop                                       |           |      |          |     |                                     |
|           | 31   |          | 1   | Actuator Assembly-Complete (M7)<br>(pages 22-23) |           |      |          |     |                                     |
| K20       | 32   |          | 2   | Wheel 3.00 X 1.25                                |           |      |          |     |                                     |
| K20       | 33   |          | 2   | Roller, Rear                                     |           |      |          |     |                                     |
| K20       | 34   |          | 2   | Pin  |           |      |          |     |                                     |
| K20,K1335 |      |          | 3   | Hair Pin Cotter A2.5                             |           |      |          |     |                                     |
| K2        | 36   |          | 4   | Washer, Flat 13.0x24.0x2.5 Ss                    |           |      |          |     |                                     |
| K29       | 37   |          | 4   | Washer 8x24x2 Uni6593 Ss                         |           |      |          |     |                                     |
| K22       | 38   |          | 12  | Nut, Hex Nyl Loc M8 Ss                           |           |      |          |     |                                     |
| K10       | 39   |          | 4   | Screw M8x30 Carriage                             |           |      |          |     |                                     |
| K2        | 40   |          | 4   | Nut, Hex Nyl Loc M12 S.S.                        |           |      |          |     |                                     |
| K1        | 41   |          | 2   | Screw M10x25 Hex Hd F/Thd                        |           |      |          |     |                                     |
| K18       | 42   |          | 4   | Nut, Hex Nyl Loc Thin M5 Ss                      |           |      |          |     |                                     |
| K18       | 43   |          | 4   | Scr,Pan Phil M5x16 Ss                            |           |      |          |     |                                     |
|           | 44   | 56116032 | 1   | Cap-Hub  |           |      |          |     |                                     |
| K26       | 45   |          | 1   | Seal-Oil   |           |      |          |     |                                     |
| K26       | 46   |          | 1   | Housing-Cylindrical Deck Idler                   |           |      |          |     |                                     |
| K23       | 47   |          | 1   | Lug-Cylindrical Deck Drive                       |           |      |          |     |                                     |
| K26       | 48   |          | 1   | Shaft Assembly-Idler                             |           |      |          |     |                                     |
| K23       | 49   |          | 1   | Screw M6x20 Hex Hd F/Thd Ss                      |           |      |          |     |                                     |
| K23       | 50   |          | 1   | Washer Flat XI 6.6x24.0x2.0 Ss                   |           |      |          |     |                                     |

### Service Kits

|     |          |   |                               |
|-----|----------|---|-------------------------------|
| K1  | 56116881 | 1 | Lift Arm Kit-Center           |
| K2  | 56116882 | 1 | Trailing Arm Kit              |
| K10 | 56116928 | 1 | Stop Kit-Both Sides           |
| K13 | 56118038 | 1 | Hardware Kit-Actuator         |
| K16 | 56116875 | 1 | Solenoid Valve Kit            |
| K17 | 56116891 | 1 | Solenoid Seal Kit             |
| K18 | 56116877 | 1 | Latch Kit-Both Sides          |
| K19 | 56116879 | 1 | Hopper Floor Kit              |
| K20 | 56116880 | 1 | Roller Kit-Cylindrical Deck   |
| K21 | 56116885 | 1 | Belt Kit-Both Sides           |
| K22 | 56116886 | 1 | Drive Housing Kit             |
| K23 | 56116890 | 1 | Hub Kit                       |
| K24 | 56116887 | 1 | Sheave Kit                    |
| K25 | 56116888 | 1 | Drive Cover Kit-Both Sides    |
| K26 | 56116889 | 1 | Idler Housing Kit             |
| K28 | 56116878 | 1 | Hardware Kit-Cylindrical Deck |
| K29 | 56116876 | 1 | Pivot Hardware Kit-Both Sides |

[ ] = Not Shown

### SCRUB SYSTEM-CYLINDRICAL-SIDE BLADE ASSEMBLIES



**SCRUB SYSTEM-CYLINDRICAL-SIDE BLADE ASSEMBLIES**

| <b>Kit</b> | <b>Item</b> | <b>Ref. No.</b> | <b>Qty</b> | <b>Description</b>             |
|------------|-------------|-----------------|------------|--------------------------------|
|            |             | 56116523        | 1          | Side Blade Assembly-Right      |
| K8,K12     | 1           |                 | 1          | Screw M8x25 Hex Hd F/Thd Ss    |
| K8         | 2           |                 | 1          | Joint M8                       |
| K4         | 3           |                 | 1          | Latch Rotary                   |
| K14        | 4           |                 | 1          | Blade-Deck-Red Gum             |
| K15        | *           |                 | 1          | Blade-Deck-PU                  |
| K12        | 5           |                 | 4          | Bushing-Sleeve-.507x.625x.527  |
|            | 6           | 56116233        | 1          | Arm-Side Blade-Rear            |
|            | 7           | 56116234        | 1          | Arm-Side Blade-Front           |
| K8         | 8           |                 | 1          | Rod End-M8-Lh                  |
| K8         | 9           |                 | 1          | Rod-Threaded                   |
| K27        | 10          |                 | 1          | Strap-Cyl Side Blade-Right     |
|            | 11          | 56116525        | 1          | Side Blade Mount Weldt-Right   |
|            | 12          | 56116652        | 1          | Side Blade Support Weldt-Right |
|            | 13          | 56116660        | 1          | Clip-Spring Adjustment-Right   |
|            | 14          | 56116662        | 1          | Latch-Double Scrub-Right       |
| K9         | 15          |                 | 1          | Knob Assembly                  |
| K12        | 16          |                 | 4          | Washer17x30x3 Iso7089 SS       |
| K8         | 17          |                 | 1          | Screw M8x40 Uni5739 SS         |
| K12        | 18          |                 | 4          | Bearing, .719 X .625 X .375    |
| K9         | 19          |                 | 1          | Knob                           |
| K12        | 20          |                 | 4          | Screw M12x40 A2 Din93          |
| K4,K12     | 21          |                 | 3          | Screw M6x30 Hex Hd F/Thd SS    |
| K12        | 22          |                 | 1          | Spacer 6.5x10x4.5              |
| K12        | 23          |                 | 4          | Washer, Flat 13.0x24.0x2.5 SS  |
| K12        | 24          |                 | 1          | Screw M6x16 Hex Hd F/Thd SS    |
| K12        | 25          |                 | 2          | Spacer 6.1 X 10 X 6.5          |
| K27        | 26          |                 | 1          | Latch Squeegee                 |
| K12        | 27          |                 | 4          | Nut, Hex Nyl Loc M12 S.S.      |
| K8,K1228   |             |                 | 4          | Nut Hex M8 Uni5589 Ss          |
| K8         | 29          |                 | 1          | Screw M8x35 Hex Hd F/Thd SS    |
| K4,K12     | 30          |                 | 3          | Nut, Hex Nyl Loc Thin M6 SS    |
| K27        | 31          |                 | 2          | Scr, Pan Phil M4x10 Ss         |
| K27        | 32          |                 | 2          | Nut, Hex Nyl Loc Thin M4 SS    |
| K12        | 33          |                 | 3          | Washer Flat XI 6x18x1.5 – SS   |
|            | 34          | 56116239        | 1          | Spring-Extension-0.75x2.96in   |
|            | 35          | 56116846        | 1          | Spring-Extension 0.75x3.00In   |

**Service Kits**

|     |          |   |                                  |
|-----|----------|---|----------------------------------|
| K4  | 56116979 | 1 | Latch Kit                        |
| K8  | 56116981 | 1 | Level Adjust Kit-Side Wiper      |
| K9  | 56116983 | 1 | Knob Kit-Side Wiper              |
| K12 | 56116982 | 1 | Hardware Kit-Side Wiper          |
| K14 | 56116706 | 1 | Side Blade Kit-Red Gum           |
| K15 | 56116709 | 1 | Side Blade Kit-PU                |
| K27 | 56116984 | 1 | Strap Kit-Both Sides-Cylindrical |

\* = Optional, Not Included

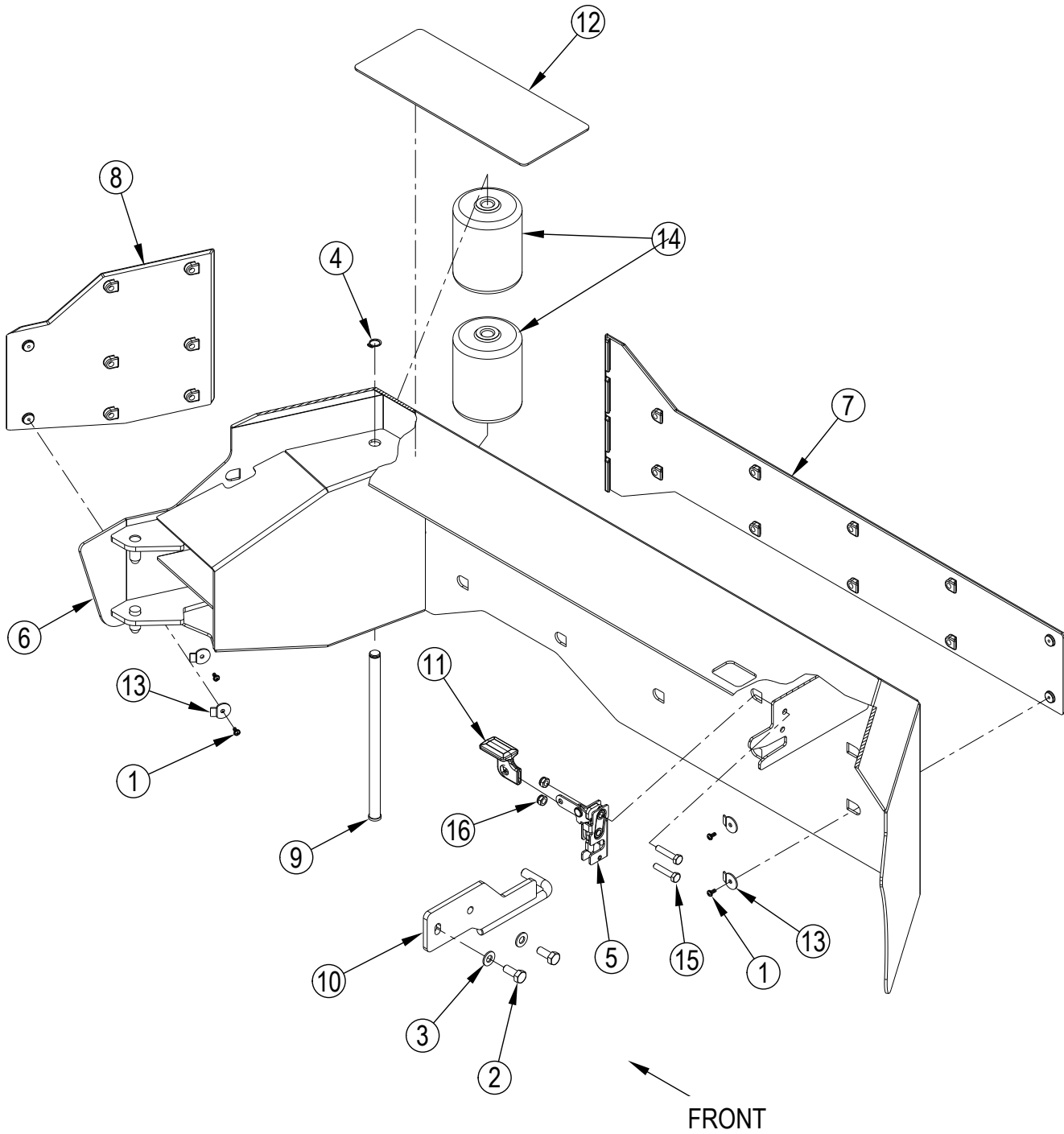
| <b>Kit</b> | <b>Item</b> | <b>Ref. No.</b> | <b>Qty</b> | <b>Description</b>            |
|------------|-------------|-----------------|------------|-------------------------------|
|            |             | 56116524        | 1          | Side Blade Assembly-Left      |
| K8,K12     | 1           |                 | 1          | Screw M8x25 Hex Hd F/Thd Ss   |
| K8         | 2           |                 | 1          | Joint M8                      |
| K4         | 3           |                 | 1          | Latch Rotary                  |
| K14        | 4           |                 | 1          | Blade-Deck-Red Gum            |
| K15        | *           |                 | 1          | Blade-Deck-PU                 |
| K12        | 5           |                 | 4          | Bushing-Sleeve-.507x.625x.527 |
|            | 6           | 56116233        | 1          | Arm-Side Blade-Rear           |
|            | 7           | 56116234        | 1          | Arm-Side Blade-Front          |
| K8         | 8           |                 | 1          | Rod End-M8-Lh                 |
| K8         | 9           |                 | 1          | Rod-Threaded                  |
| K27        | 10          |                 | 1          | Strap-Cyl Side Blade-Left     |
|            | 11          | 56116526        | 1          | Side Blade Mount Weldt-Left   |
|            | 12          | 56116653        | 1          | Side Blade Support Weldt-Left |
|            | 13          | 56116661        | 1          | Clip-Spring Adjustment-Left   |
|            | 14          | 56116663        | 1          | Latch-Double Scrub-Left       |
| K9         | 15          |                 | 1          | Knob Assembly                 |
| K12        | 16          |                 | 4          | Washer17x30x3 Iso7089 SS      |
| K8         | 17          |                 | 1          | Screw M8x40 Uni5739 SS        |
| K12        | 18          |                 | 4          | Bearing, .719 X .625 X .375   |
| K9         | 19          |                 | 1          | Knob                          |
| K12        | 20          |                 | 4          | Screw M12x40 A2 Din93         |
| K4,K12     | 21          |                 | 3          | Screw M6x30 Hex Hd F/Thd SS   |
| K12        | 22          |                 | 1          | Spacer 6.5x10x4.5             |
| K12        | 23          |                 | 4          | Washer, Flat 13.0x24.0x2.5 SS |
| K12        | 24          |                 | 1          | Screw M6x16 Hex Hd F/Thd SS   |
| K12        | 25          |                 | 2          | Spacer 6.1 X 10 X 6.5         |
| K27        | 26          |                 | 1          | Latch Squeegee                |
| K12        | 27          |                 | 4          | Nut, Hex Nyl Loc M12 S.S.     |
| K8,K1228   |             |                 | 4          | Nut Hex M8 Uni5589 Ss         |
| K8         | 29          |                 | 1          | Screw M8x35 Hex Hd F/Thd SS   |
| K4,K12     | 30          |                 | 3          | Nut, Hex Nyl Loc Thin M6 SS   |
| K27        | 31          |                 | 2          | Scr, Pan Phil M4x10 Ss        |
| K27        | 32          |                 | 2          | Nut, Hex Nyl Loc Thin M4 SS   |
| K12        | 33          |                 | 3          | Washer Flat XI 6x18x1.5 – SS  |
|            | 34          | 56116239        | 1          | Spring-Extension-0.75x2.96in  |
|            | 35          | 56116846        | 1          | Spring-Extension 0.75x3.00In  |

**Service Kits**

|     |          |   |                                  |
|-----|----------|---|----------------------------------|
| K4  | 56116979 | 1 | Latch Kit                        |
| K8  | 56116981 | 1 | Level Adjust Kit-Side Wiper      |
| K9  | 56116983 | 1 | Knob Kit-Side Wiper              |
| K12 | 56116982 | 1 | Hardware Kit-Side Wiper          |
| K14 | 56116706 | 1 | Side Blade Kit-Red Gum           |
| K15 | 56116709 | 1 | Side Blade Kit-PU                |
| K27 | 56116984 | 1 | Strap Kit-Both Sides-Cylindrical |

\* = Optional, Not Included

### SCRUB SYSTEM-CYLINDRICAL-RIGHT DOOR ASSEMBLY



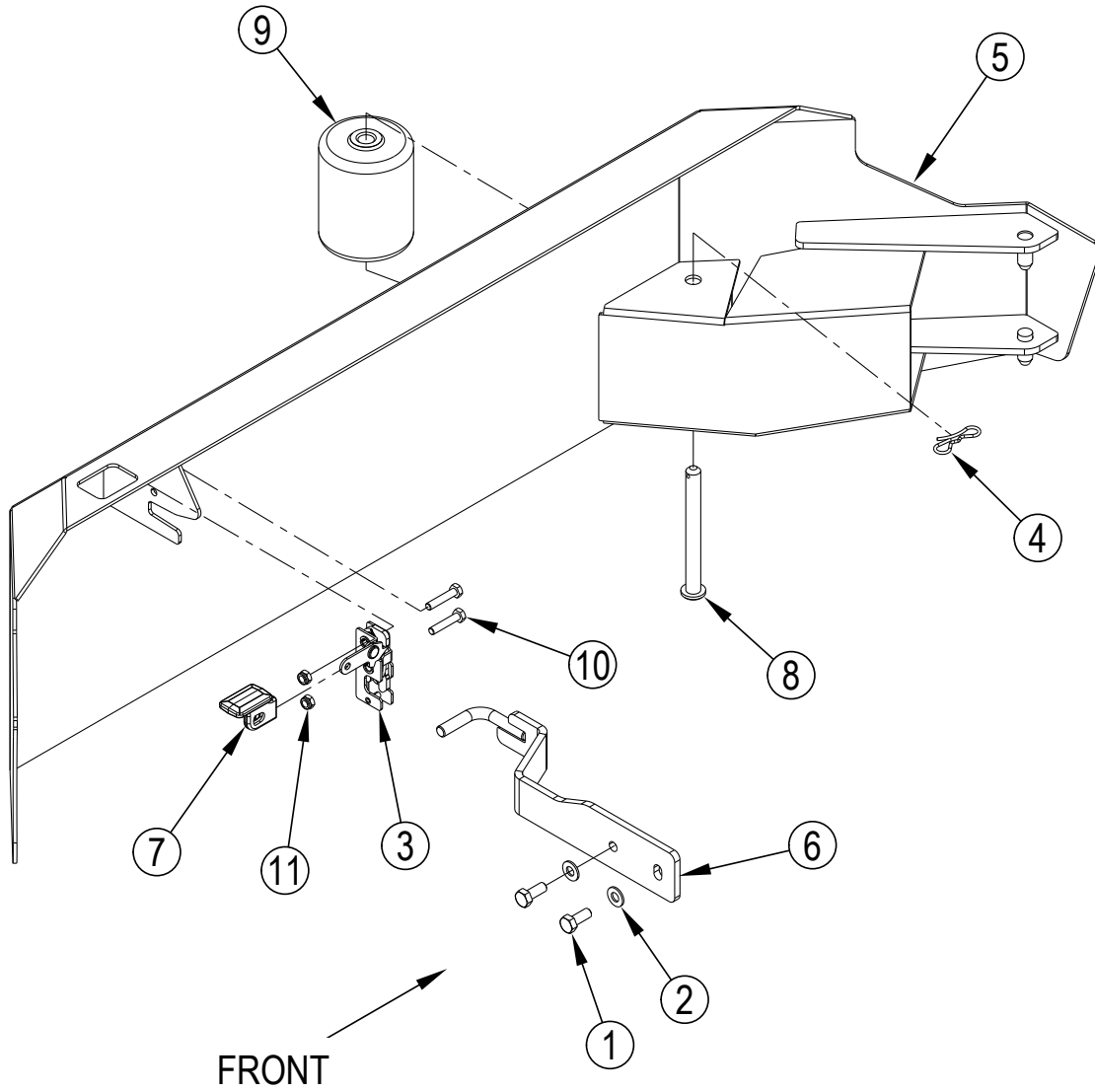
**SCRUB SYSTEM-CYLINDRICAL-RIGHT DOOR ASSEMBLY**

| <b>Kit</b> | <b>Item</b> | <b>Ref. No.</b> | <b>Qty</b> | <b>Description</b>          |
|------------|-------------|-----------------|------------|-----------------------------|
| K7         | 1           |                 | 4          | Ejot 3.5x8 Wn1411           |
| K6         | 2           |                 | 2          | Screw M8x20 Hex Hd F/Thd    |
| K6         | 3           |                 | 2          | Washer, Flat 8.4x16x1.6     |
| K5         | 4           |                 | 1          | Shaft Ring D.12             |
| K4         | 5           |                 | 1          | Latch Rotary                |
|            | 6           | 56116419        | 1          | Door Weldment-Right-36c     |
| K7         | 7           |                 | 1          | Skid Plate-Right-34d        |
| K7         | 8           |                 | 1          | Skid Plate-Right-Front-36c  |
| K5         | 9           |                 | 1          | Pin-Door Roller             |
| K6         | 10          |                 | 1          | Door Striker Weldment-Right |
| K4         | 11          |                 | 1          | Handle-Latch                |
|            | 12          | 56116720        | 1          | Mat-Door                    |
| K7         | 13          |                 | 4          | Washer-Tab                  |
| K5         | 14          |                 | 2          | Wheel, Roller               |
| K4         | 15          |                 | 2          | Screw M6x30 Hex Hd F/Thd Ss |
| K4         | 16          |                 | 2          | Nut, Hex Nyl Loc Thin M6 Ss |

**Service Kits**

|    |          |   |                       |
|----|----------|---|-----------------------|
| K4 | 56116979 | 1 | Latch Kit             |
| K5 | 56116980 | 1 | Roller Kit-Both Doors |
| K6 | 56116899 | 1 | Striker Kit-Right     |
| K7 | 56116900 | 1 | Skid Plate Kit        |

### SCRUB SYSTEM-LEFT DOOR ASSEMBLY-36C&40D





**SCRUB SYSTEM-LEFT DOOR ASSEMBLY-36C & 40D**

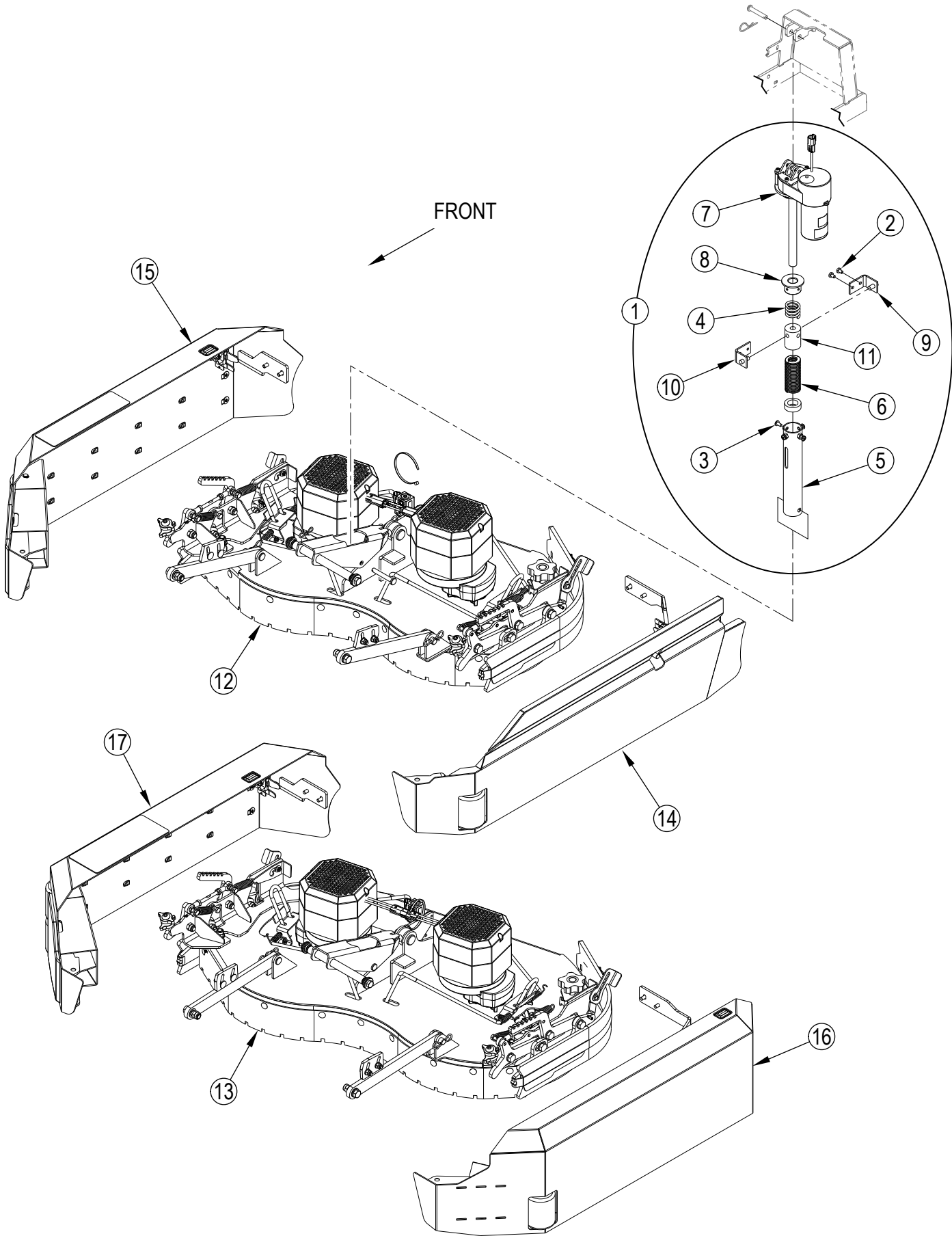
| <b>Kit</b> | <b>Item</b> | <b>Ref. No.</b> | <b>Qty</b> | <b>Description</b>             |
|------------|-------------|-----------------|------------|--------------------------------|
| K3         | 1           |                 | 2          | Screw M8x20 Hex Hd F/Thd       |
| K3         | 2           |                 | 2          | Washer, Flat 8.4x16x1.6        |
| K4         | 3           |                 | 1          | Latch Rotary                   |
| K5         | 4           |                 | 1          | Pin- Bow-Tie Cotter 7/16 - 1/2 |
|            | 5           | 56116416        | 1          | Door Weldment-Left-40d/36c     |
| K3         | 6           |                 | 1          | Door Striker Weldment-Left     |
| K4         | 7           |                 | 1          | Handle-Latch                   |
| K5         | 8           |                 | 1          | Pin-Clevis 12x120 Iso2341-B    |
| K5         | 9           |                 | 1          | Wheel, Roller                  |
| K4         | 10          |                 | 2          | Screw M6x30 Hex Hd F/Thd Ss    |
| K4         | 11          |                 | 2          | Nut, Hex Nyl Loc Thin M6 Ss    |

**Service Kits**

|    |          |   |                       |
|----|----------|---|-----------------------|
| K3 | 56116898 | 1 | Striker Kit-Left      |
| K4 | 56116979 | 1 | Latch Kit             |
| K5 | 56116980 | 1 | Roller Kit-Both Doors |

### SCRUB SYSTEM-DISC

FRONT



**SCRUB SYSTEM-DISC**

| <b>Kit</b> | <b>Item</b> | <b>Ref. No.</b> | <b>Qty</b> | <b>Description</b>                           |
|------------|-------------|-----------------|------------|--|
|            | 1           |                 | 1          | Complete Actuator Assembly (M7)              |
| K1         | 2           |                 | 2          | Scr, Hex Thd Form 1/4-20 X0.38               |
| K1         | 3           |                 | 4          | Scr, Pan Phil Thd Form 1/4-20x .50           |
| K1         | 4           |                 | 1          | Spring-Compression 1.40x1.40in               |
| K1         | 5           |                 | 1          | Spring Housing Weldment                      |
| K1         | 6           |                 | 1          | Spring-Compression-1.44x3.50 In              |
| K1         | 7           | 56118041        | 1          | Actuator Assembly-Heavy Duty                 |
| K1         | 8           |                 | 1          | Spring Housing Guide                         |
| K1         | 9           |                 | 1          | Nut Retainer                                 |
| K1         | 10          |                 | 1          | Nut Retainer                                 |
| K1         | 11          | 56388520        | 1          | Nut, Plastic                                 |
|            | 12          |                 | 1          | Disc Deck Assembly-34d                       |
|            | 13          |                 | 1          | Disc Deck Assembly-40d                       |
|            | 14          |                 | 1          | Door Assembly-Left-34d                       |
|            | 15          |                 | 1          | Door Assembly-Right-34d                      |
|            | 16          |                 | 1          | Door Assembly-Left-40d/36c (see pages 30-31) |
|            | 17          |                 | 1          | Door Assembly-Right-40d                      |

**Service Kits**

|    |          |   |                             |
|----|----------|---|-----------------------------|
| K1 | 56118048 | 1 | Spring Housing Kit-Actuator |
|----|----------|---|-----------------------------|



## SCRUB SYSTEM-DISC-DECK ASSEMBLY

| Kit     | Item | Ref. No. | Qty | Description                                   | Kit    | Item | Ref. No. | Qty | Description                   |
|---------|------|----------|-----|---|--------|------|----------|-----|-------------------------------|
| K2      | 1    |          | 2   | Pin D.16                                      | K13    | 37   |          | 1   | Hair Pin Cotter A2.5          |
| K32     | 2    |          | 1   | Clamp 290x4.8                                 | K2     | 38   |          | 2   | Washer, Flat 13.0x24.0x2.5 SS |
| K16     | 3    |          | 2   | Screw Soc. Hd M5x12 SS                        | K10    | 39   |          | 4   | Screw M8x30 Carriage Iso8677  |
| K32     | 4    |          | 2   | Screw Soc. Hd M8x35 SS                        | K2,K32 | 40   |          | 4   | Nut, Hex Nyl Loc M12 S.S.     |
| K10     | 5    |          | 4   | Nut, Hex Nyl Loc Hvy M8                       | K1     | 41   |          | 2   | Screw M10x25 Hex Hd F/Thd     |
| K10     | 6    |          | 4   | Washer, Flat 8.4x16x1.6                       | K32    | 42   |          | 4   | Nut, Hex Nyl Loc Thin M6 SS   |
| K2      | 7    |          | 2   | Screw M12x40 Hex Hd F/Thd - 12k               | K16    | 35   |          | 1   | Clamp, Hose 15-24 Size8       |
| K30     | 8    |          | 9   | Rivet, Nylon Tree Push-In (.25)               |        |      |          |     |                               |
| K32     | 9    |          | 2   | Key, Square .25 X 1.44                        |        |      |          |     |                               |
| K13     | 10   |          | 1   | Pin-Clevis .375 X 2.25                        |        |      |          |     |                               |
| K13     | 11   |          | 1   | Pin- Bow-Tie Cotter 7/16 - 1/2                |        |      |          |     |                               |
| K2      | 12   |          | 2   | Pin-Bow Tie Cotter 5/8                        |        |      |          |     |                               |
| K1      | 13   |          | 1   | Pin-Bow Tie Cotter 3/4                        |        |      |          |     |                               |
| K2      | 14   |          | 2   | Bushing-12.5x16x14.48mm                       |        |      |          |     |                               |
| K1      | 15   |          | 2   | Bushing-Lift Arm Pivot                        |        |      |          |     |                               |
| K1      | 16   |          | 2   | Bearing-Flange-20x23x7mm                      |        |      |          |     |                               |
|         | 17   | 56116201 | 1   | Scrub Deck Weldment-34d                       |        |      |          |     |                               |
|         |      | 56116200 | 1   | Scrub Deck Weldment-40d                       |        |      |          |     |                               |
| K1      | 18   |          | 1   | Deck Lift Arm Assembly                        |        |      |          |     |                               |
| K1      | 18a  |          | 1   | Rod End-Spherical-18mm-Male                   |        |      |          |     |                               |
| K1      | 18b  |          | 1   | Lift Arm Weldment                             |        |      |          |     |                               |
|         | 19   | 56116212 | 2   | Spacer-Motor                                  |        |      |          |     |                               |
|         | 20   | 56116213 | 2   | Gearmotor-36vdc-250rpm-1.0hp (M1, M2)         |        |      |          |     |                               |
|         | [ ]  | 56422152 | 1   | Kit, Wheel Drive Brushes                      |        |      |          |     |                               |
|         | 21   | 56116214 | 1   | Side Blade Assembly-Right (pages 36-37)       |        |      |          |     |                               |
|         | 22   | 56116215 | 1   | Side Blade Assembly-Left (pages 36-37)        |        |      |          |     |                               |
| K16,K17 | 23   |          | 1   | Valve-Solenoid-36vdc (L1)                     |        |      |          |     |                               |
|         | 24   | 56116249 | 1   | Hose-Solution Feed-Disc                       |        |      |          |     |                               |
|         | 25   | 56116252 | 1   | Blade-Front-34d                               |        |      |          |     |                               |
|         |      | 56116250 | 1   | Blade-Front-40d                               |        |      |          |     |                               |
| K2      | 26   |          | 2   | Deck Trailing Arm Assembly                    |        |      |          |     |                               |
| K2      | 26a  |          | 8   | Bearing-Flange-16x18x6mm                      |        |      |          |     |                               |
|         | 27   | 56116545 | 2   | Knob-M12-Lobe                                 |        |      |          |     |                               |
|         | 28   | 56116755 | 2   | Click-On Assembly-34d                         |        |      |          |     |                               |
|         |      | 56116756 | 2   | Click-On Assembly-40d                         |        |      |          |     |                               |
| K12     | 29   |          | 2   | Bushing                                       |        |      |          |     |                               |
| K1      | 30   |          | 1   | Pin-Clevis 18x50 Iso2341-B                    |        |      |          |     |                               |
| K13     | 31   |          | 1   | Pin-Clevis 10x70 Iso2341-B                    |        |      |          |     |                               |
| K32     | 32   |          | 8   | Screw M6x30 Uni5737 SS                        |        |      |          |     |                               |
| K10     | 33   |          | 2   | Plate-Stop                                    |        |      |          |     |                               |
|         | 34   |          | 1   | Actuator Assembly-Complete (pages 32-33) (M7) |        |      |          |     |                               |
|         | 35   | 56601276 | 1   | Brush Plate Assy                              |        |      |          |     |                               |
|         | 36   | 56601384 | 1   | Brush Plate Assy                              |        |      |          |     |                               |

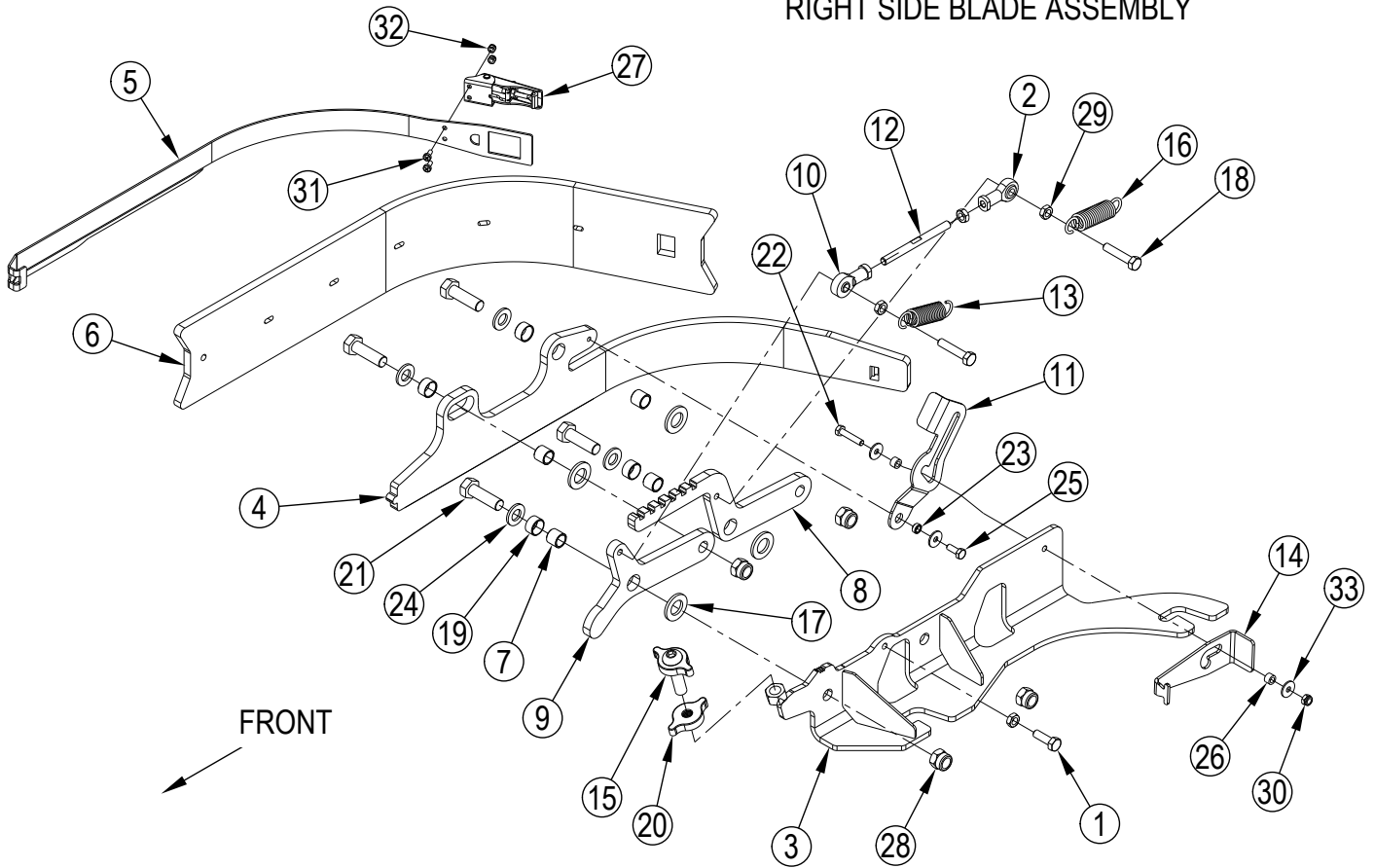
## Service Kits

|     |          |   |                         |
|-----|----------|---|-------------------------|
| K1  | 56116881 | 1 | Lift Arm Kit-Center     |
| K2  | 56116882 | 1 | Trailing Arm Kit        |
| K10 | 56116928 | 1 | Stop Kit-Both Sides     |
| K12 | 56116982 | 1 | Hardware Kit-Side Wiper |
| K13 | 56118038 | 1 | Hardware Kit-Actuator   |
| K16 | 56116875 | 1 | Solenoid Valve Kit      |
| K17 | 56116891 | 1 | Solenoid Seal Kit       |
| K30 | 56118050 | 1 | Rivet Kit               |
| K32 | 56116994 | 1 | Hardware Kit-Disc Deck  |

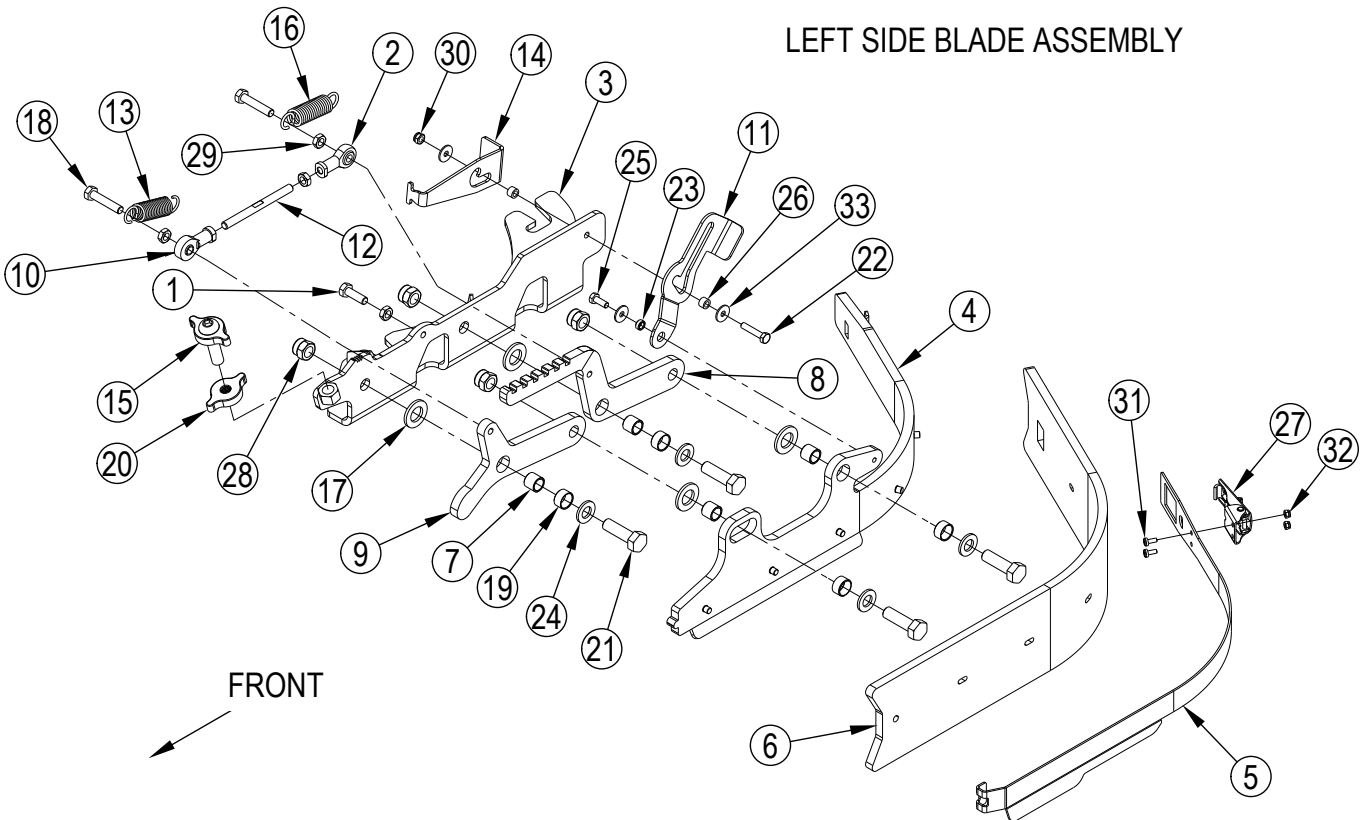
[ ] = Not Shown

### SCRUB SYSTEM-DISC-SIDE BLADE ASSEMBLIES

#### RIGHT SIDE BLADE ASSEMBLY



#### LEFT SIDE BLADE ASSEMBLY



## SCRUB SYSTEM-DISC-SIDE BLADE ASSEMBLIES

| Kit    | Item | Ref. No. | Qty | Description                    |
|--------|------|----------|-----|--------------------------------|
|        |      | 56116214 | 1   | Side Blade Assembly-Right      |
| K8,K12 | 1    |          | 1   | Screw M8x25 Hex Hd F/Thd SS    |
| K8     | 2    |          | 1   | Joint M8                       |
|        | 3    | 56116216 | 1   | Side Blade Mount Weldment-Rt   |
|        | 4    | 56116222 | 1   | Side Blade Support Weldt-Right |
| K31    | 5    |          | 1   | Strap-Side Blade-Right         |
| K14    | 6    |          | 1   | Blade-Deck-Red Gum             |
| K15    | *    |          | 1   | Blade-Deck-PU                  |
| K12    | 7    |          | 4   | Bushing-Sleeve-.507x.625x.527  |
|        | 8    | 56116233 | 1   | Arm-Side Blade-Rear            |
|        | 9    | 56116234 | 1   | Arm-Side Blade-Front           |
| K8     | 10   |          | 1   | Rod End-M8-Lh                  |
|        | 11   | 56116236 | 1   | Latch-Double Scrub-Right       |
| K8     | 12   |          | 1   | Rod-Threaded                   |
|        | 13   | 56116239 | 1   | Spring-Extension-0.75x2.96in   |
|        | 14   | 56116240 | 1   | Clip-Spring Adjustment         |
| K9     | 15   |          | 1   | Knob Assembly                  |
|        | 16   | 56116846 | 1   | Spring-Extension 0.75x3.00in   |
| K12    | 17   |          | 4   | Washer 17x30x3 Iso7089 SS      |
| K8,K12 | 18   |          | 2   | Screw M8x40 Uni5739 SS         |
| K12    | 19   |          | 4   | Bearing, .719 X .625 X .375    |
| K9,K12 | 20   |          | 1   | Knob                           |
| K12    | 21   |          | 4   | Screw M12x40 A2 Din93          |
| K12    | 22   |          | 1   | Screw M6x30 Hex Hd F/Thd SS    |
| K12    | 23   |          | 1   | Spacer 6.5x10x4.5              |
| K12    | 24   |          | 4   | Washer, Flat 13.0x24.0x2.5 SS  |
| K12    | 25   |          | 1   | Screw M6x16 Hex Hd F/Thd SS    |
| K12    | 26   |          | 2   | Spacer 6.1 X 10 X 6.5          |
| K31    | 27   |          | 1   | Latch Squeegee                 |
| K12    | 28   |          | 4   | Nut, Hex Nyl Loc M12 S.S.      |
| K8,K12 | 29   |          | 4   | Nut Hex M8 Uni5589 SS          |
| K12    | 30   |          | 1   | Nut, Hex Nyl Loc Thin M6 SS    |
| K31    | 31   |          | 2   | Scr, Pan Phil M4x10 Ss         |
| K31    | 32   |          | 2   | Nut, Hex Nyl Loc Thin M4 SS    |
| K12    | 33   |          | 3   | Washer Flat XI 6x18x1.5 - SS   |

### Service Kits

|     |          |   |                             |
|-----|----------|---|-----------------------------|
| K8  | 56116981 | 1 | Level Adjust Kit-Side Wiper |
| K9  | 56116983 | 1 | Knob Kit-Side Wiper         |
| K12 | 56116982 | 1 | Hardware Kit-Side Wiper     |
| K14 | 56116706 | 1 | Side Blade Kit-Red Gum      |
| K15 | 56116709 | 1 | Side Blade Kit-PU           |
| K31 | 56116929 | 1 | Strap Kit-Both Sides-Disc   |

\* = Optional, Not Included

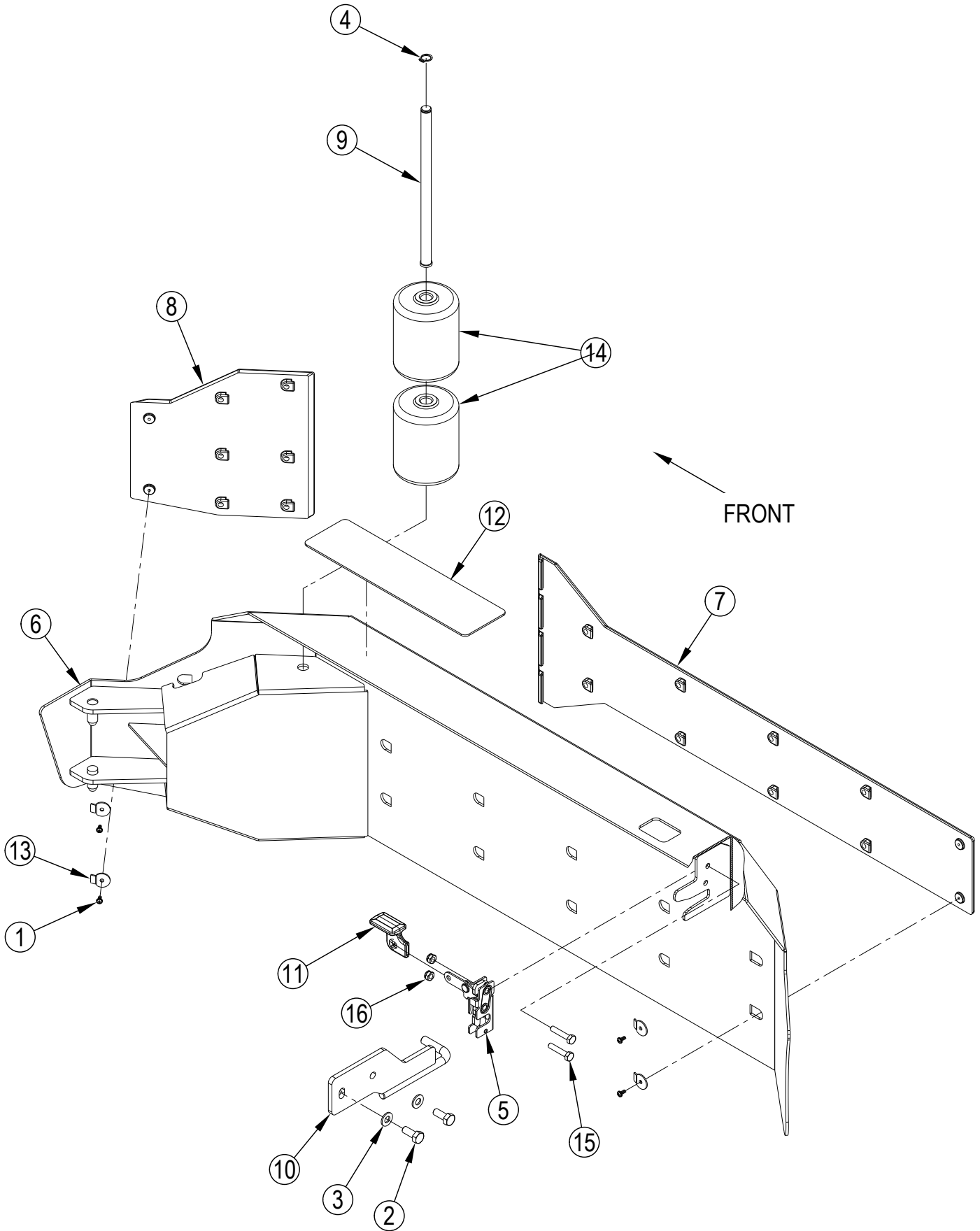
| Kit    | Item | Ref. No. | Qty | Description                    |
|--------|------|----------|-----|--------------------------------|
|        |      | 56116215 | 1   | Side Blade Assembly-Left       |
| K8,K12 | 1    |          | 1   | Screw M8x25 Hex Hd F/Thd SS    |
| K8     | 2    |          | 1   | Joint M8                       |
|        | 3    | 56116217 | 1   | Side Blade Mount Weldment-Left |
|        | 4    | 56116223 | 1   | Side Blade Support Weldt-Left  |
| K31    | 5    |          | 1   | Strap-Side Blade-Left          |
| K14    | 6    |          | 1   | Blade-Deck-Red Gum             |
| K15    | *    |          | 1   | Blade-Deck-PU                  |
| K12    | 7    |          | 4   | Bushing-Sleeve-.507x.625x.527  |
|        | 8    | 56116233 | 1   | Arm-Side Blade-Rear            |
|        | 9    | 56116234 | 1   | Arm-Side Blade-Front           |
| K8     | 10   |          | 1   | Rod End-M8-Lh                  |
|        | 11   | 56116237 | 1   | Latch-Double Scrub-Left        |
| K8     | 12   |          | 1   | Rod-Threaded                   |
|        | 13   | 56116239 | 1   | Spring-Extension-0.75x2.96in   |
|        | 14   | 56116240 | 1   | Clip-Spring Adjustment         |
| K9     | 15   |          | 1   | Knob Assembly                  |
|        | 16   | 56116846 | 1   | Spring-Extension 0.75x3.00in   |
| K12    | 17   |          | 4   | Washer 17x30x3 Iso7089 SS      |
| K8,K12 | 18   |          | 2   | Screw M8x40 Uni5739 SS         |
| K12    | 19   |          | 4   | Bearing, .719 X .625 X .375    |
| K9,K12 | 20   |          | 1   | Knob                           |
| K12    | 21   |          | 4   | Screw M12x40 A2 Din93          |
| K12    | 22   |          | 1   | Screw M6x30 Hex Hd F/Thd SS    |
| K12    | 23   |          | 1   | Spacer 6.5x10x4.5              |
| K12    | 24   |          | 4   | Washer, Flat 13.0x24.0x2.5 SS  |
| K12    | 25   |          | 1   | Screw M6x16 Hex Hd F/Thd SS    |
| K12    | 26   |          | 2   | Spacer 6.1 X 10 X 6.5          |
| K31    | 27   |          | 1   | Latch Squeegee                 |
| K12    | 28   |          | 4   | Nut, Hex Nyl Loc M12 S.S.      |
| K8,K12 | 29   |          | 4   | Nut Hex M8 Uni5589 SS          |
| K12    | 30   |          | 1   | Nut, Hex Nyl Loc Thin M6 SS    |
| K31    | 31   |          | 2   | Scr, Pan Phil M4x10 SS         |
| K31    | 32   |          | 2   | Nut, Hex Nyl Loc Thin M4 SS    |
| K12    | 33   |          | 3   | Washer Flat XI 6x18x1.5 - SS   |

### Service Kits

|     |          |   |                             |
|-----|----------|---|-----------------------------|
| K8  | 56116981 | 1 | Level Adjust Kit-Side Wiper |
| K9  | 56116983 | 1 | Knob Kit-Side Wiper         |
| K12 | 56116982 | 1 | Hardware Kit-Side Wiper     |
| K14 | 56116706 | 1 | Side Blade Kit-Red Gum      |
| K15 | 56116709 | 1 | Side Blade Kit-PU           |
| K31 | 56116929 | 1 | Strap Kit-Both Sides-Disc   |

\* = Optional, Not Included

SCRUB SYSTEM-DISC-RIGHT DOOR ASSEMBLY-34D





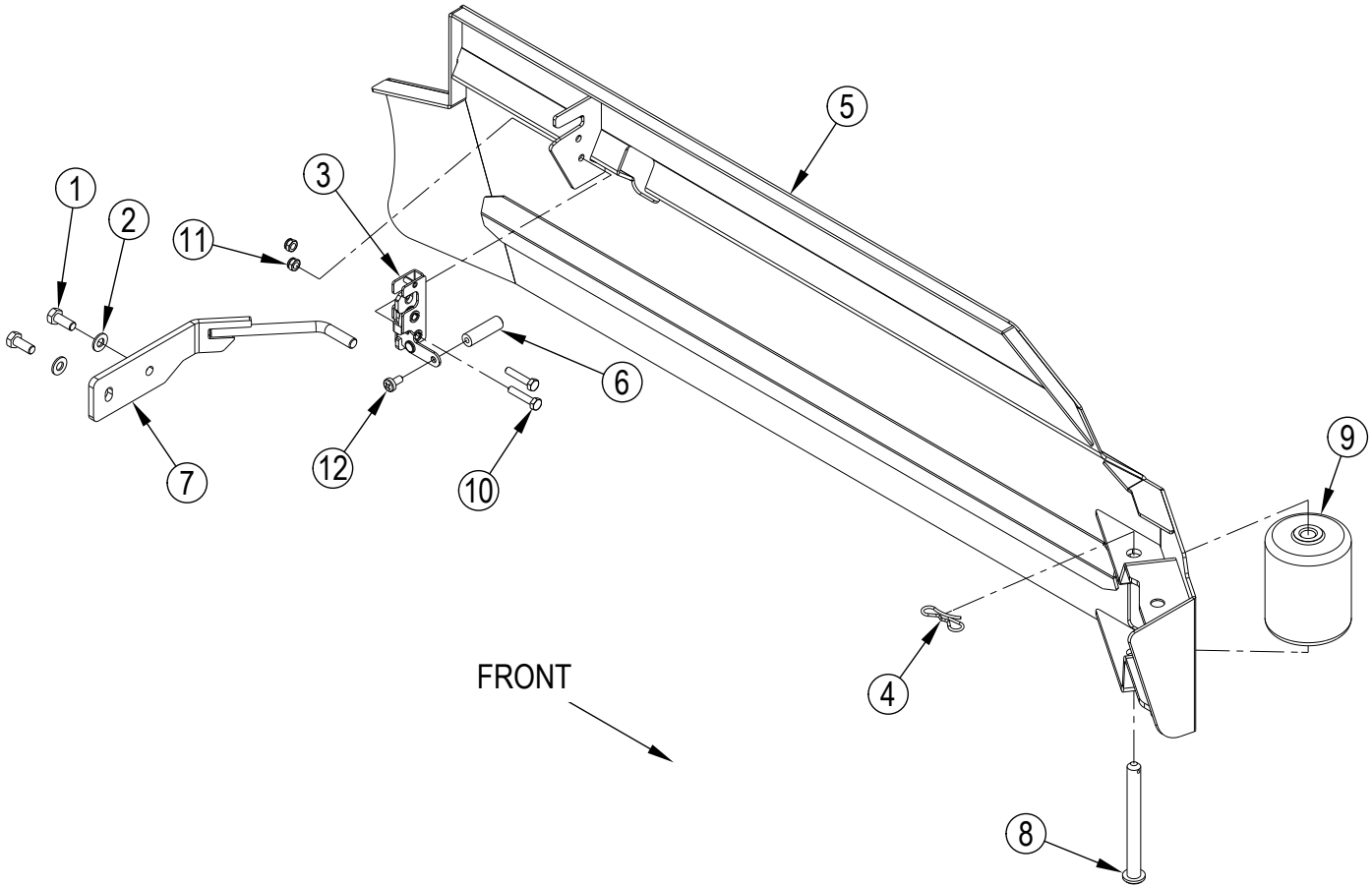
**SCRUB SYSTEM-DISC-RIGHT DOOR ASSEMBLY-34D**

| <b>Kit</b> | <b>Item</b> | <b>Ref. No.</b> | <b>Qty</b> | <b>Description</b>                  |
|------------|-------------|-----------------|------------|-------------------------------------|
| K7         | 1           |                 | 4          | Ejot 3.5x8 Wn1411                   |
| K6         | 2           |                 | 2          | Screw M8x20 Hex Hd F/Thd Iso4017    |
| K6         | 3           |                 | 2          | Washer, Flat 8.4x16x1.6             |
| K5         | 4           |                 | 1          | Shaft Ring D.12                     |
| K4         | 5           |                 | 1          | Latch Rotary                        |
|            | 6           | 56116417        | 1          | Door Weldment-Right-34d             |
| K7         | 7           |                 | 1          | Skid Plate-Right-34d                |
| K7         | 8           |                 | 1          | Skid Plate-Right-Front-34d          |
| K5         | 9           |                 | 1          | Pin-Door Roller                     |
| K6         | 10          |                 | 1          | Door Striker Weldment-Right         |
| K4         | 11          |                 | 1          | Handle-Latch                        |
|            | 12          | 56116465        | 1          | Mat-Door                            |
| K7         | 13          |                 | 4          | Washer-Tab                          |
| K5         | 14          |                 | 2          | Wheel, Roller                       |
| K4         | 15          |                 | 2          | Screw M6x30 Hex Hd F/Thd Ss Iso4017 |
| K4         | 16          |                 | 2          | Nut, Hex Nyl Loc Thin M6 Ss         |

**Service Kits**

|    |          |   |                       |
|----|----------|---|-----------------------|
| K4 | 56116979 | 1 | Latch Kit             |
| K5 | 56116980 | 1 | Roller Kit-Both Sides |
| K6 | 56116899 | 1 | Striker Kit-Right     |
| K7 | 56116900 | 1 | Skid Plate Kit        |

SCRUB SYSTEM-DISC-LEFT DOOR ASSEMBLY-34D



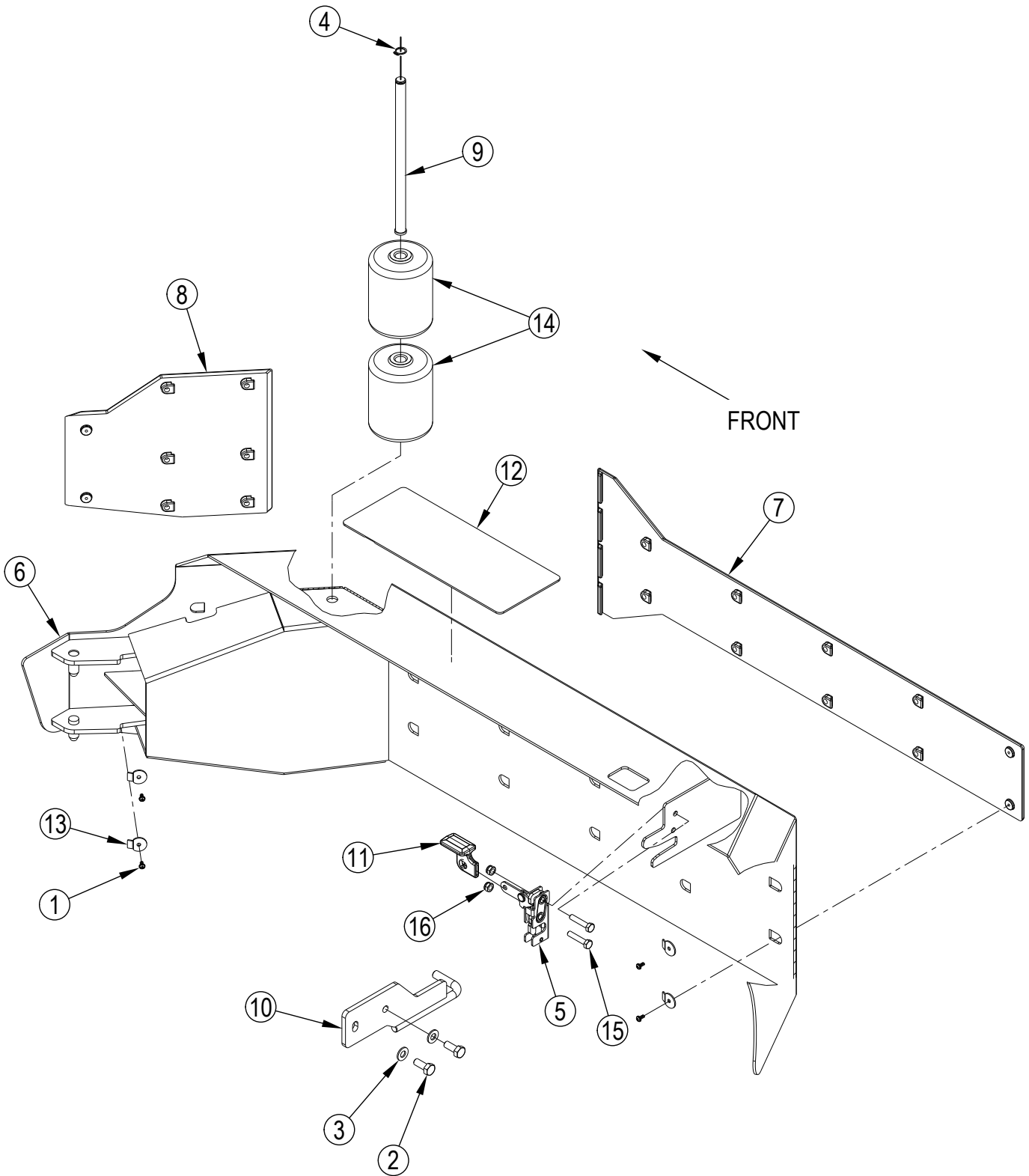
**SCRUB SYSTEM-DISC-LEFT DOOR ASSEMBLY-34D**

| <b>Kit</b> | <b>Item</b> | <b>Ref. No.</b> | <b>Qty</b> | <b>Description</b>             |
|------------|-------------|-----------------|------------|--------------------------------|
| K3         | 1           |                 | 2          | Screw M8x20 Hex Hd F/Thd       |
| K3         | 2           |                 | 2          | Washer, Flat 8.4x16x1.6        |
| K4         | 3           |                 | 1          | Latch Rotary                   |
| K5         | 4           |                 | 1          | Pin- Bow-Tie Cotter 7/16 - 1/2 |
|            | 5           | 56116418        | 1          | Door Weldment-Left-34d         |
| K4         | 6           |                 | 1          | Handle-Latch                   |
| K3         | 7           |                 | 1          | Door Striker Weldment-Left     |
| K5         | 8           |                 | 1          | Pin-Clevis 12x120 Iso2341-B    |
| K5         | 9           |                 | 1          | Wheel, Roller                  |
| K4         | 10          |                 | 2          | Screw M6x30 Hex Hd F/Thd Ss    |
| K4         | 11          |                 | 2          | Nut, Hex Nyl Loc Thin M6 Ss    |
| K4         | 12          |                 | 1          | Scr, Pan Phil M6x12            |

**Service Kits**

|    |          |   |                       |
|----|----------|---|-----------------------|
| K3 | 56116898 | 1 | Striker Kit-Left      |
| K4 | 56116979 | 1 | Latch Kit             |
| K5 | 56116980 | 1 | Roller Kit-Both Sides |

### SCRUB SYSTEM-DISC-RIGHT DOOR ASSEMBLY-40D



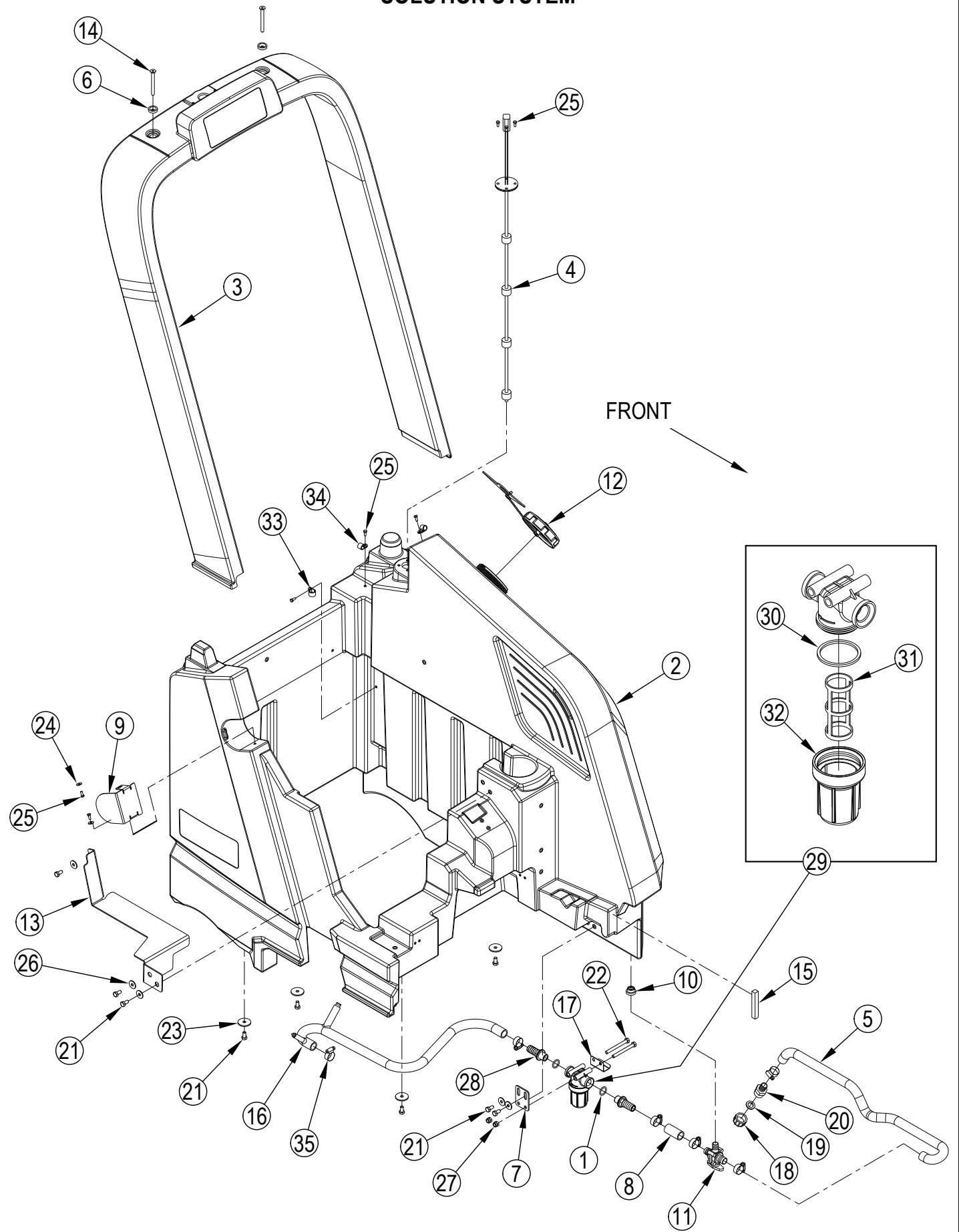
**SCRUB SYSTEM-DISC-RIGHT DOOR ASSEMBLY-40D**

| <b>Kit</b> | <b>Item</b> | <b>Ref. No.</b> | <b>Qty</b> | <b>Description</b>          |
|------------|-------------|-----------------|------------|-----------------------------|
| K7         | 1           |                 | 4          | Ejot 3.5x8 Wn1411           |
| K6         | 2           |                 | 2          | Screw M8x20 Hex Hd F/Thd    |
| K6         | 3           |                 | 2          | Washer, Flat 8.4x16x1.6     |
| K5         | 4           |                 | 1          | Shaft Ring D.12             |
| K4         | 5           |                 | 1          | Latch Rotary                |
|            | 6           | 56116415        | 1          | Door Weldment-Right-40d     |
| K7         | 7           |                 | 1          | Skid Plate-Right-34d        |
| K7         | 8           |                 | 1          | Skid Plate-Right-Front-36c  |
| K5         | 9           |                 | 1          | Pin-Door Roller             |
| K6         | 10          |                 | 1          | Door Striker Weldment-Right |
| K4         | 11          |                 | 1          | Handle-Latch                |
|            | 12          | 56116720        | 1          | Mat-Door                    |
| K7         | 13          |                 | 4          | Washer-Tab                  |
| K5         | 14          |                 | 2          | Wheel, Roller               |
| K4         | 15          |                 | 2          | Screw M6x30 Hex Hd F/Thd Ss |
| K4         | 16          |                 | 2          | Nut, Hex Nyl Loc Thin M6 Ss |

**Service Kits**

|    |          |   |                       |
|----|----------|---|-----------------------|
| K4 | 56116979 | 1 | Latch Kit             |
| K5 | 56116980 | 1 | Roller Kit-Both Sides |
| K6 | 56116899 | 1 | Striker Kit-Right     |
| K7 | 56116900 | 1 | Skid Plate Kit        |

# SOLUTION SYSTEM



**SOLUTION SYSTEM**

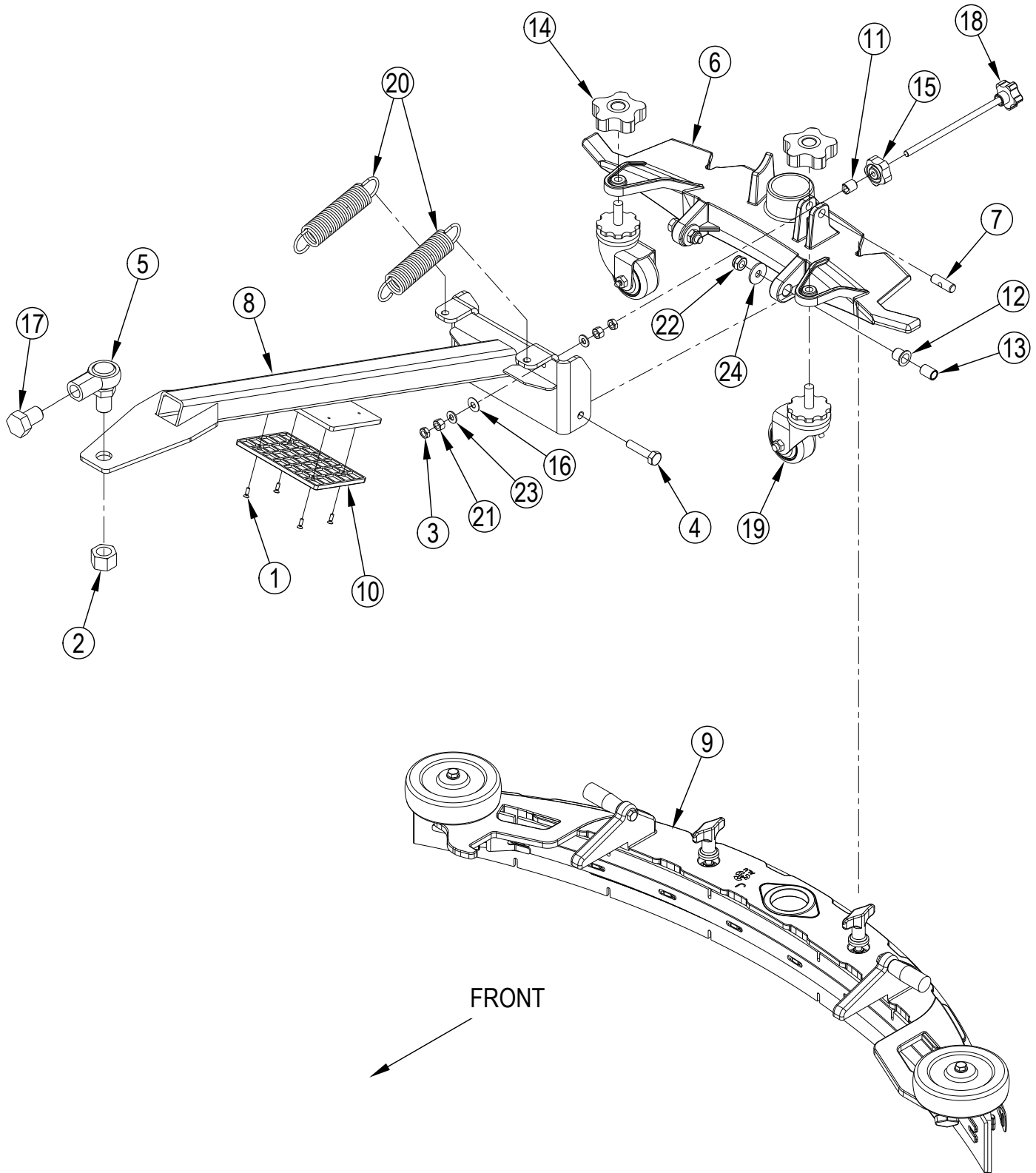
| <b>Kit</b> | <b>Item</b> | <b>Ref. No.</b> | <b>Qty</b> | <b>Description</b>                  |
|------------|-------------|-----------------|------------|-------------------------------------|
| K2         | 1           |                 | 2          | Gasket, O-Ring 20 - 3               |
|            | 2           | 56116083        | 1          | Tank-Solution                       |
|            | 3           | 56116101        | 1          | Cross Bar                           |
|            | 4           | 56116372        | 1          | Sensor-Solution Level (S7)          |
| K1         | 5           |                 | 1          | Hose-Drain                          |
| K3         | 6           |                 | 2          | Washer-Cosmetic-Ss-M8               |
|            | 7           | 56116658        | 1          | Bracket-Filter Mount                |
|            | 8           | 56116664        | 1          | Hose-20x26x52mm                     |
|            | 9           | 56116666        | 1          | Panel-Cover                         |
|            | 10          | 56116721        | 1          | Grommet-.59x.78x.62                 |
|            | 11          | 56116759        | 1          | Valve-Ball- 5/8x3/4in Brb           |
|            | 12          | 56116763        | 1          | Solution Cap Assembly               |
|            | [ ]         | 56116683        | 1          | Gasket-Solution Cap                 |
|            | 13          | 56116790        | 1          | Support-Seat                        |
| K3         | 14          |                 | 2          | Screw M8x80 Din7991 Ss Black        |
|            | 15          | 56116931        | 1          | Seal-Tank Gap                       |
|            | 16          | 56116934        | 1          | Hose-Manifold Assembly              |
| K2         | 17          |                 | 1          | Clip-Drain Hose                     |
| K1         | 18          |                 | 1          | Cap, Pipe Ght Nylon                 |
| K1         | 19          |                 | 1          | Washer-Rubber                       |
| K1         | 20          |                 | 1          | Barb, Adapter 3/4 X 3/4ght          |
| K3         | 21          |                 | 9          | Screw M8x16 Hex Hd F/Thd Ss Iso4017 |
| K2         | 22          |                 | 2          | Screw M8x80 Hex Hd F/Thd Iso4017    |
| K3         | 23          |                 | 4          | Washer Flat XI 8.5x36.0x3.0         |
| K3         | 24          |                 | 2          | Washer Flat XI 5.5x15.0x1.6 Ss      |
| K3         | 25          |                 | 9          | Screw M5x12 Hex Hd F/Thd Iso4017    |
| K3         | 26          |                 | 5          | Washer 8x24x2 Uni6593 Ss            |
| K2         | 27          |                 | 2          | Nut, Hex Nyl Loc M8 Ss              |
| K2         | 28          |                 | 2          | Elbow Ø20                           |
| K2         | 29          |                 | 1          | Filter Water                        |
|            | 30          | 9097943000      | 1          | Gasket                              |
|            | 31          | 9097944000      | 1          | Screen-Filter                       |
|            | 32          | 9097945000      | 1          | Cap with Seal-Solution Filter       |
| K3         | 33          |                 | 1          | Clamp Cable D.16                    |
| K3         | 34          |                 | 2          | Clamp, Cable Ø12.7                  |
| K1,K2,K3   | 35          |                 | 6          | Clamp, Hose 15-24 Size8             |

**Service Kits**

|    |          |   |                              |
|----|----------|---|------------------------------|
| K1 | 56116923 | 1 | Drain Hose Kit               |
| K2 | 56116924 | 1 | Filter Kit                   |
| K3 | 56116925 | 1 | Hardware Kit-Solution System |

[ ] = Not Shown

### SQUEEGEE SYSTEM



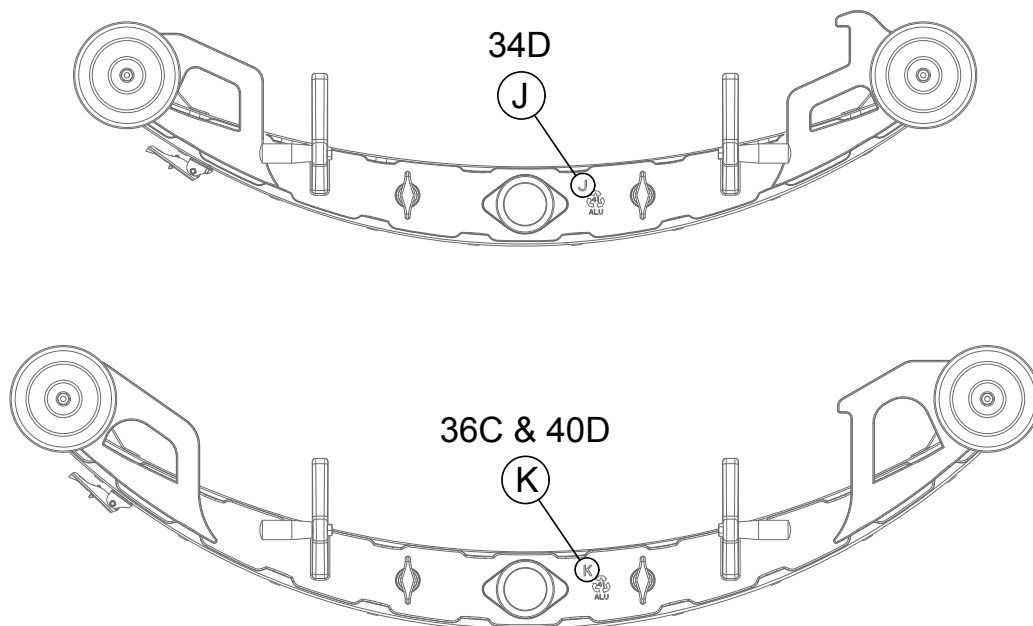


## SQUEEGEE SYSTEM

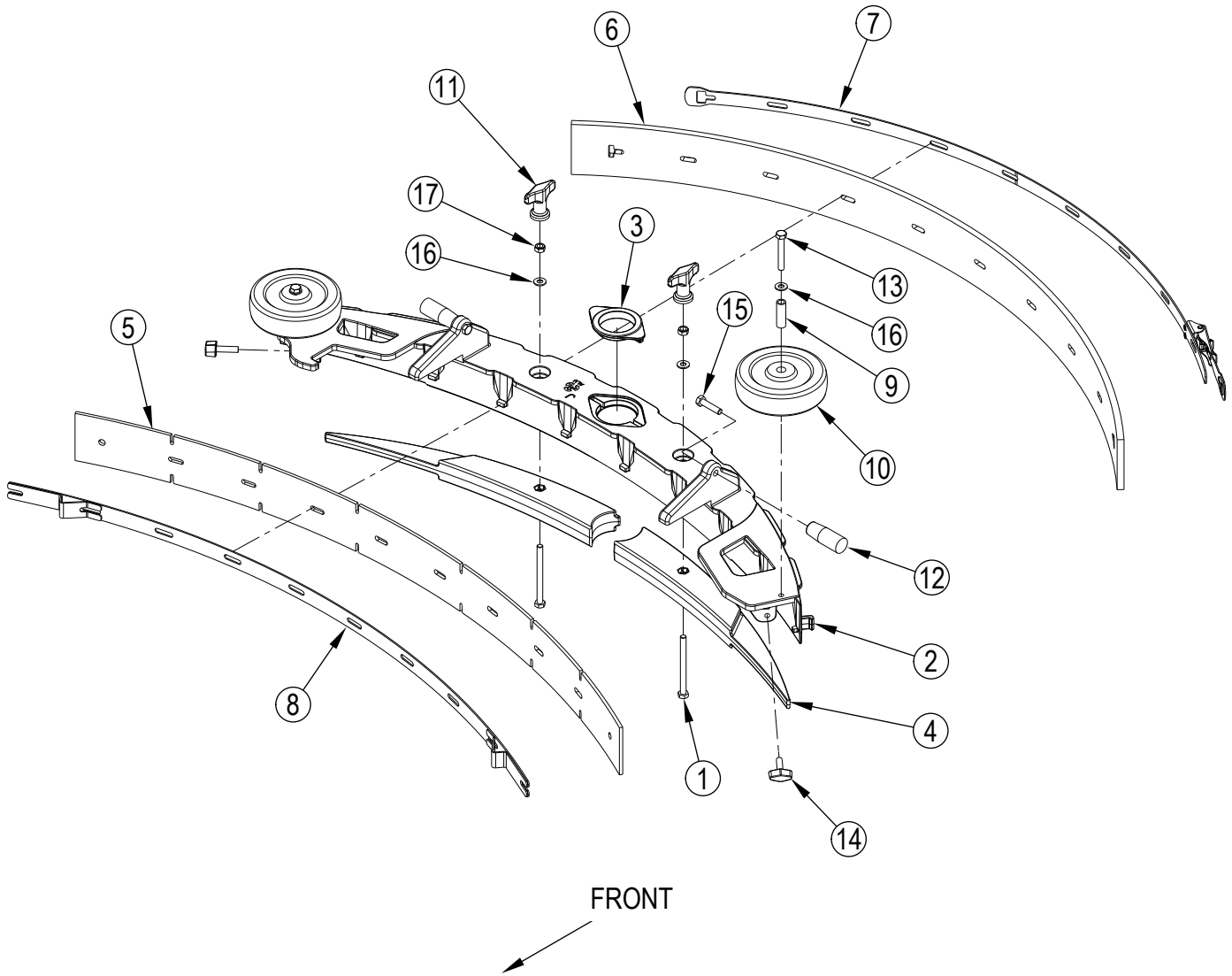
| Kit | Item | Ref. No. | Qty | Description  |
|-----|------|----------|-----|--|
| K2  | 1    |          | 4   | Countersunk Screw M4x12  |
| K3  | 2    |          | 1   | Nut, Hex Hvy M20x1.5   |
| K1  | 3    |          | 2   | Nut, Hex Thin M8   |
| K6  | 4    |          | 2   | Screw M10x45 Hex Hd F/Thd Ss Iso4017   |
| K3  | 5    |          | 1   | Rod End-20mm   |
|     | 6    | 56116393 | 1   | Mount-Squeegee   |
| K1  | 7    |          | 1   | Pin-Squeegee Tilt  |
|     | 8    | 56116398 | 1   | Squeegee Arm Weldment  |
|     | 9    | 56116399 | 1   | Squeegee Assembly-J <b>34D Disc Model / Includes Red Gum Rubber Blades</b>                             |
|     |      | 56116400 | 1   | Squeegee Assembly-K <b>36C Cylindrical Model &amp; 40D Disc Model / Includes Red Gum Rubber Blades</b> |
| K2  | 10   |          | 1   | Wear Plate-Squeegee  |
| K1  | 11   |          | 1   | Spacer-Squeegee Tilt   |
| K6  | 12   |          | 2   | Bearing-Flange-14x16x17mm  |
| K6  | 13   |          | 2   | Bushing  |
|     | 14   | 56116545 | 2   | Knob-M12-Lobe  |
| K1  | 15   |          | 1   | Knob-M8-Lobe Short   |
| K1  | 16   |          | 1   | Washer-Bevel-8.2x20x0.7x1.35mm   |
| K3  | 17   |          | 1   | Screw M20x1.5x30 Uni5740 SS  |
| K1  | 18   |          | 1   | Tilt Rod Assembly  |
|     | 19   | 56116907 | 2   | Caster Assembly  |
|     | 20   | 56116974 | 2   | Spring-Extension   |
| K1  | 21   |          | 2   | Nut Hex Hvy M8   |
| K6  | 22   |          | 2   | Nut M10 Hex Loc Thin Ss Iso 10511  |
| K1  | 23   |          | 2   | Washer, Flat 8x17x1.6 SS   |
| K6  | 24   |          | 2   | Washer Flat XI 10x30x2.5-SS  |

### Service Kits

|    |          |   |                            |
|----|----------|---|----------------------------|
| K1 | 56116894 | 1 | Squeegee Tilt Adjuster Kit |
| K2 | 56116895 | 1 | Squeegee Wear Plate Kit    |
| K3 | 56116896 | 1 | Squeegee Mount Rod End Kit |
| K6 | 56116893 | 1 | Hardware Kit-Squeegee      |



### SQUEEGEE SYSTEM-SQUEEGEE ASSY J-34D



**SQUEEGEE SYSTEM-SQUEEGEE ASSY J-34D**

| <b>Kit</b> | <b>Item</b> | <b>Ref. No.</b> | <b>Qty</b> | <b>Description</b>                        |
|------------|-------------|-----------------|------------|---|
| K5         | 1           |                 | 2          | Scr-Hex Thd/Hd Ss 5/16-18x3.75            |
|            | 2           | 56116378        | 1          | Squeegee-J                                |
|            | 3           | 56116388        | 1          | Seal-Squeegee                             |
|            | 4           | 56116491        | 2          | Insert-Squeegee Airflow-J                 |
| K7         | 5           |                 | 1          | Blade-Squeegee Fr-Red Gum-J <b>NOTE 1</b> |
| K7         | 6           | 56116493        | 1          | Blade-Squeegee-Red Gum-Rr-J <b>NOTE 1</b> |
| K9         | *           |                 | 1          | Blade-Squeegee-PU J-Front <b>NOTE 1</b>   |
| K9         | *           | 56116702        | 1          | Blade-Squeegee-PU J-Rear <b>NOTE 1</b>    |
|            | 7           | 56116497        | 1          | Squeegee Strap Assembly-Rr-J              |
|            | 8           | 56116498        | 1          | Squeegee Strap Weldment-Fr-J              |
| K4         | 9           |                 | 2          | Bushing-.344x.500x1.56in                  |
| K4         | 10          |                 | 2          | Wheel 5.00 X 1.50                         |
| K5         | 11          |                 | 2          | Nut Thumb                                 |
| K5         | 12          |                 | 2          | Handle Lever                              |
| K4         | 13          |                 | 2          | Screw M8x55 Hex Hd F/Thd Ss Iso4017       |
| K5         | 14          |                 | 2          | Knob M8x30 Stainless Steel                |
| K5         | 15          |                 | 2          | Screw M8x35 Hex Hd F/Thd Ss Iso4017       |
| K4,K5      | 16          |                 | 4          | Washer, Flat 8x17x1.6 Ss                  |
| K5         | 17          |                 | 2          | Nut Self L. 5/16 Unc Ss                   |

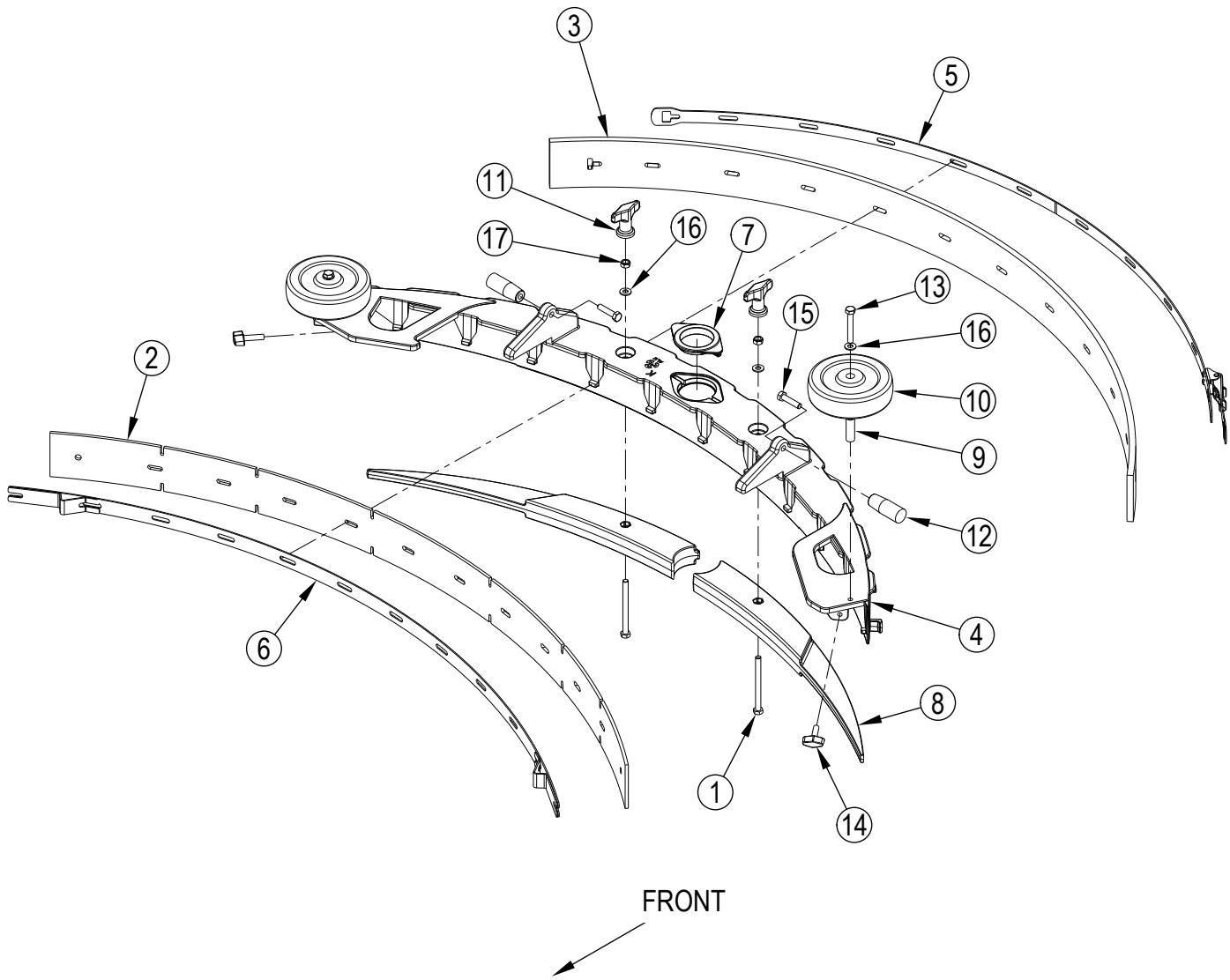
**Service Kits**

|    |          |   |                              |
|----|----------|---|------------------------------|
| K4 | 56116911 | 1 | Squeegee Roller Kit-Both     |
| K5 | 56116912 | 1 | Squeegee Knob Kit            |
| K7 | 56116704 | 1 | Squeegee Blade Kit-Red Gum J |
| K9 | 56116707 | 1 | Squeegee Blade Kit-PU J      |

\* = Optional, Not Included

**NOTE 1:** All squeegee blade kits include both front and rear squeegee blades.

SQUEEGEE SYSTEM-SQUEEGEE ASSY K-36C & 40D



**SQUEEGEE SYSTEM-SQUEEGEE ASSY K-36C & 40D**

| <b>Kit</b> | <b>Item</b> | <b>Ref. No.</b> | <b>Qty</b> | <b>Description</b>                        |
|------------|-------------|-----------------|------------|---|
| K5         | 1           |                 | 2          | Scr-Hex Thd/Hd Ss 5/16-18x3.75            |
| K8         | 2           |                 | 1          | Blade-Squeegee-Red Gum K-Fr <b>NOTE 1</b> |
| K8         | 3           | 56116376        | 1          | Blade-Squeegee-Red Gum-Rr-K <b>NOTE 1</b> |
| K10        | *           |                 | 1          | Blade-Squeegee-PU K-Front <b>NOTE 1</b>   |
| K10        | *           | 56116700        | 1          | Blade-Squeegee-PU K-Rear <b>NOTE 1</b>    |
|            | 4           | 56116379        | 1          | Squeegee-K                                |
|            | 5           | 56116381        | 1          | Squeegee Strap Assembly-Rr-K              |
|            | 6           | 56116382        | 1          | Squeegee Strap Weldment-Fr-K              |
|            | 7           | 56116388        | 1          | Seal-Squeegee                             |
|            | 8           | 56116492        | 2          | Insert-Squeegee Airflow-K                 |
| K4         | 9           |                 | 2          | Bushing-.344x.500x1.56in                  |
| K4         | 10          |                 | 2          | Wheel 5.00 X 1.50                         |
| K5         | 11          |                 | 2          | Nut Thumb                                 |
| K5         | 12          |                 | 2          | Handle Lever                              |
| K4         | 13          |                 | 2          | Screw M8x55 Hex Hd F/Thd Ss Iso4017       |
| K5         | 14          |                 | 2          | Knob M8x30 Stainless Steel                |
| K5         | 15          |                 | 2          | Screw M8x35 Hex Hd F/Thd Ss Iso4017       |
| K4,K5      | 16          |                 | 4          | Washer, Flat 8x17x1.6 Ss                  |
| K5         | 17          |                 | 2          | Nut Self L. 5/16 Unc Ss                   |

**Service Kits**

|     |          |   |                              |
|-----|----------|---|------------------------------|
| K4  | 56116911 | 1 | Squeegee Roller Kit-Both     |
| K5  | 56116912 | 1 | Squeegee Knob Kit            |
| K8  | 56116705 | 1 | Squeegee Blade Kit-Red Gum K |
| K10 | 56116708 | 1 | Squeegee Blade Kit-PU K      |

\* = Optional, Not Included

**NOTE 1:** All squeegee blade kits include both front and rear squeegee blades.



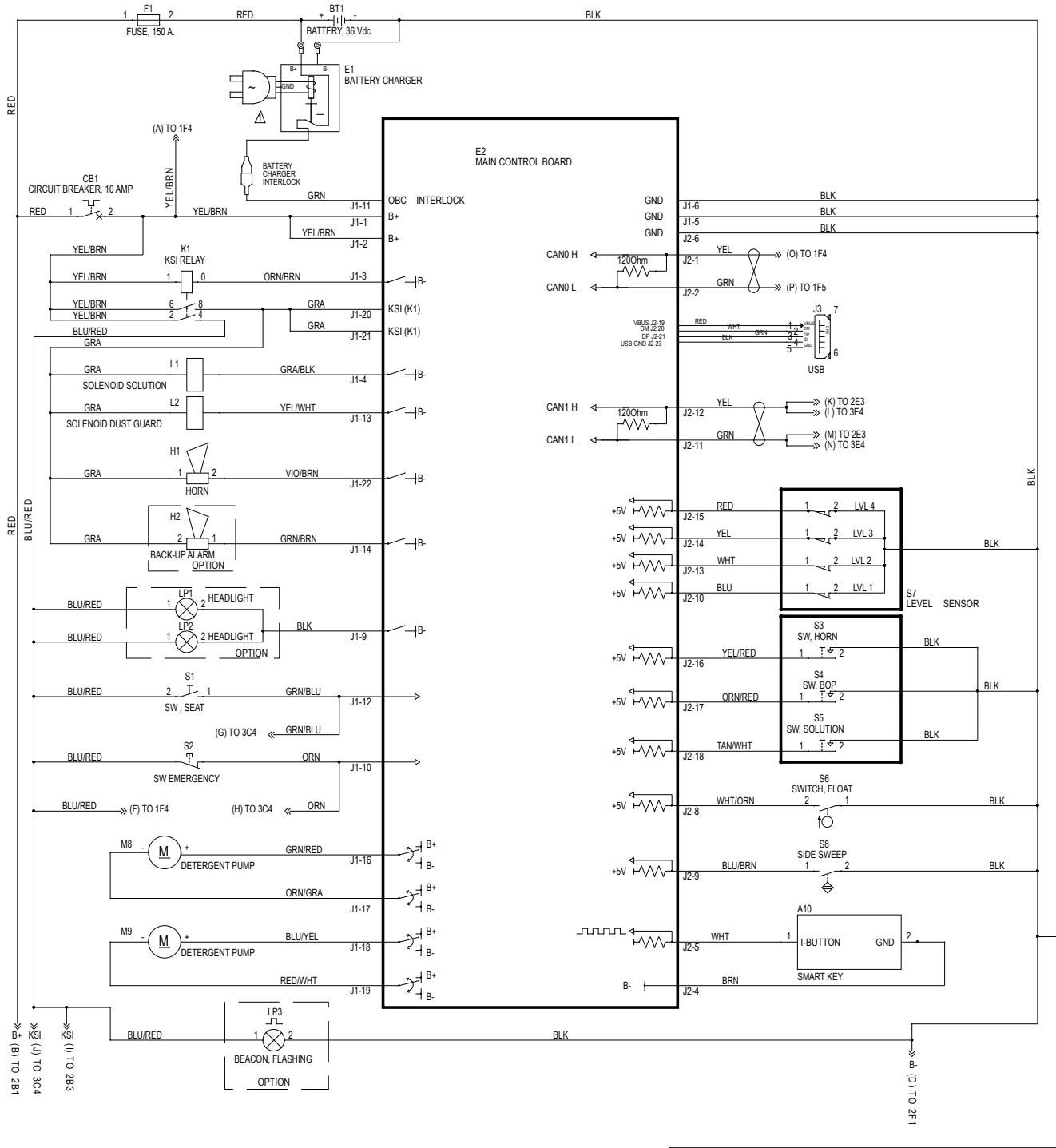
## WHEEL SYSTEM

| <b>Kit</b> | <b>Item</b> | <b>Ref. No.</b> | <b>Qty</b> | <b>Description</b>             |
|------------|-------------|-----------------|------------|--------------------------------|
| K3,K4,K5   | 1           |                 | 2          | Screw M10x25 Hex Hd F/Thd      |
| K5         | 2           |                 | 4          | Screw M10x35 Hex Hd F/Thd      |
| K2,K5      | 3           |                 | 1          | Pin Cotter 3 X 50 Iso 1324     |
| K4         | 4           |                 | 2          | Wheel-Rear-Pu 12x3.5in         |
| K3         | 4a          |                 | 2          | Bearing-Ball-1.378x2.835x.669  |
| K3         | 4b          |                 | 1          | Seal-Oil                       |
| K3,K4      | 5           | 56116032        | 2          | Cap-Hub                        |
|            | 6           | 56116305        | 1          | Spindle Plate Weldment         |
|            | 7           | 56116309        | 1          | Wheel-Drive-12in <b>(M11)</b>  |
|            | 7a          | 56116039        | 1          | Wheel-Drive 12in               |
|            | 7b          | 56116806        | 1          | Cover-Drive Coupler            |
|            | 7c          | 56116807        | 1          | Drive Coupler                  |
|            | 7d          | 56116809        | 1          | Bearing-Drive Wheel            |
|            | 7e          | 56116810        | 1          | Brake                          |
|            | 7f          | 56116811        | 1          | Cover-Brake                    |
|            | 7g          | 56116812        | 1          | Cover-Terminal                 |
| K2         | 8           |                 | 1          | Washer-22x44x8mm               |
| K1         | 9           |                 | 1          | Chain-Roller                   |
| K1         | 10          |                 | 1          | Chain Tensioner Weldment       |
| K1         | 11          |                 | 1          | Chain Guide Weldment           |
|            | 12          | 56116936        | 1          | Bracket-Wire Guide             |
| K2         | 13          | 56483135        | 1          | Cap, Grease                    |
| K2         | 14          |                 | 1          | Bearing, Cup                   |
| K2         | 15          |                 | 1          | Bearing, Cone                  |
| K2         | 16          |                 | 1          | Bearing, Cone                  |
| K2         | 17          |                 | 1          | Bearing, Cup                   |
| K2         | 18          |                 | 1          | Seal, Radial Lip               |
| K1,K5      | 19          |                 | 5          | Screw M6x20 Hex Hd F/Thd Ss    |
| K1,K5      | 20          |                 | 1          | Washer Flat XI 6.6x24.0x2.0 Ss |
| K3,K4,K5   | 21          |                 | 2          | Washer Flat XI 11.0x40.0x3.0   |
| K2,K5      | 22          |                 | 1          | Nut Hex M20x1.5 Uni5594        |
| K1         | 23          |                 | 1          | Nut Hex M6 Uni5589 Ss          |
| K1         | 24          |                 | 1          | Nut, Hex Nyl Loc Thin M6 Ss    |
| K5         | 25          |                 | 1          | Clamp, Hose Support            |
| K5         | 26          |                 | 6          | Screw M6x20 Hex Hd F/Thd Ss    |
| K5         | 27          |                 | 1          | Washer Flat XI 6x18x1.5 - Ss   |

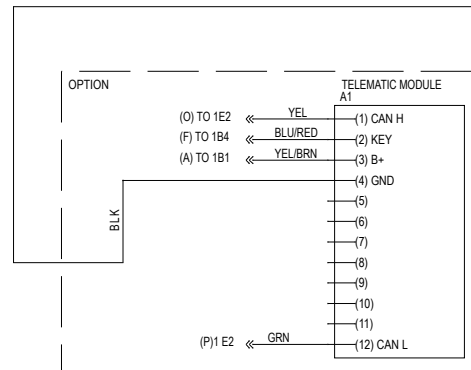
**Service Kits**

|    |          |   |                           |
|----|----------|---|---------------------------|
| K1 | 56116916 | 1 | Steering Chain Kit        |
| K2 | 56116918 | 1 | Spindle Bearing Kit       |
| K3 | 56116033 | 1 | Bearing Kit-Rear Wheel    |
| K4 | 56116919 | 1 | Rear Wheel Kit            |
| K5 | 56116917 | 1 | Hardware Kit-Wheel System |

# LADDER DIAGRAM-1



Ladder Diagram 56116048 REV B





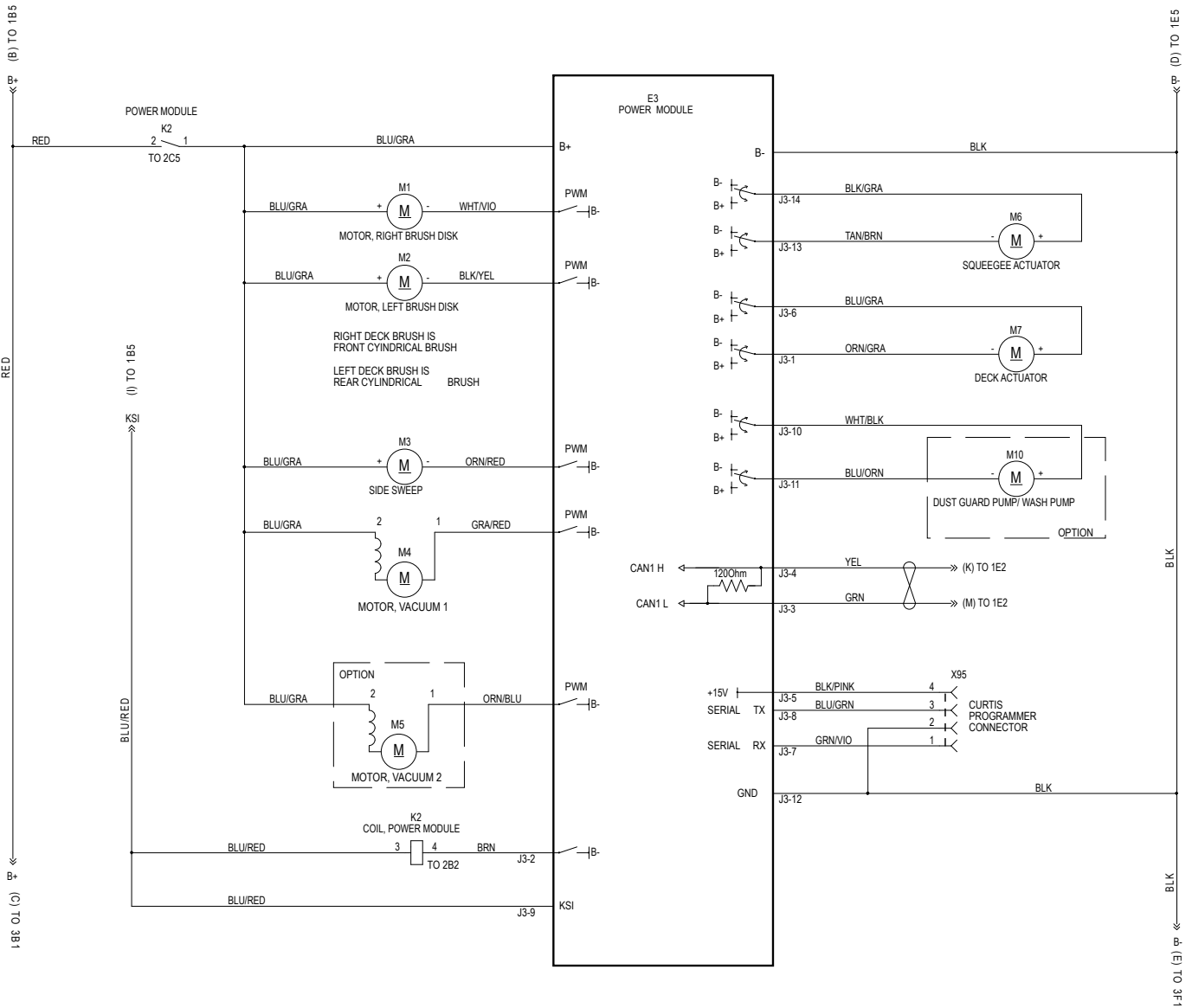
## LADDER DIAGRAM-1

| Kit | Item | Ref. No.   | Qty | Description                                  |
|-----|------|------------|-----|--|
|     | A1   |            | 1   | Telematics Module <b>(Optional)</b>          |
|     | A10  | 56116518   | 1   | Smart Key                                    |
|     | A11  | 56601052   | 1   | Foot Pedal                                   |
|     | BT1  | N/A        | 1   | Battery 36VDC                                |
|     | CB1  | 56507644   | 1   | 10amp Breaker                                |
|     | E1   | 56315774   | 1   | Battery Charger <b>(Optional)</b>            |
|     | E2   | 56116054   | 1   | Main Control Board Assy                      |
|     | E3   | 56116087   | 1   | Power Module                                 |
|     | E4   | 56116131   | 1   | Wheel Drive Controller                       |
|     | F1   | 56115432   | 1   | 150 Amp Fuse                                 |
|     | H1   | 56116375   | 1   | Horn   |
|     | H2   | 56116374   | 1   | Back-Up Alarm <b>(Optional)</b>              |
|     | J3   | 56116601   | 1   | USB <b>(Optional)</b>                        |
|     | K1   | 40892A     | 1   | Main Relay                                   |
|     | K2   | 56303198   | 1   | Power Module Contactor                       |
|     | K3   | 56303198   | 1   | Speed Controller Contactor                   |
|     | L1   | 56116248   | 1   | Solenoid Valve                               |
|     | L2   | 56116975   | 1   | Valve-Solenoid-36VDC <b>(Optional)</b>       |
|     | LP1  | 56383032   | 1   | Headlight <b>(Optional)</b>                  |
|     | LP2  | 56383032   | 1   | Headlight <b>(Optional)</b>                  |
|     | LP3  | 56116353   | 1   | Beacon, Flashing <b>(Optional)</b>           |
|     | M1   | 56116159   | 1   | Motor, Right Brush Disc                      |
|     | M2   | 56116159   | 1   | Motor, Left Brush Disc                       |
|     | M3   | 56116761   | 1   | Side Sweep <b>(Optional)</b>                 |
|     | M4   | 56116105   | 1   | Motor, Vacuum 1                              |
|     | M5   | 56116105   | 1   | Motor, Vacuum 2 <b>(Optional)</b>            |
|     | M6   | 56116781   | 1   | Squeegee Actuator                            |
|     | M7   |            | 1   | Deck Actuator                                |
|     | M8   | 56110742   | 1   | Detergent Pump                               |
|     | M9   | 56110742   | 1   | Detergent Pump                               |
|     | M10  | 56116767   | 1   | Dust Guard Pump/ Wash Pump <b>(Optional)</b> |
|     | M11  | 56116309   | 1   | Drive Motor                                  |
|     | S1   | 7-82-00050 | 1   | SW, Seat                                     |
|     | S2   | 56104247   | 1   | SW, Emergency                                |
|     | S3   | 56104405   | 1   | SW, Horn                                     |
|     | S4   | 56104405   | 1   | SW, Bop                                      |
|     | S5   | 56104405   | 1   | SW, Solution                                 |
|     | S6   | 56116842   | 1   | Switch, Float                                |
|     | S7   | 56116372   | 1   | Level Sensor                                 |
|     | S8   | 56116784   | 1   | Side Sweep <b>(Optional)</b>                 |

**Color Codes**

|      |        |
|------|--------|
| BLK  | Black  |
| BLU  | Blue   |
| BRN  | Brown  |
| GRA  | Gray   |
| GRN  | Green  |
| ORN  | Orange |
| PINK | Pink   |
| RED  | Red    |
| TAN  | Tan    |
| VIO  | Violet |
| WHT  | White  |
| YEL  | Yellow |

### LADDER DIAGRAM-2



Ladder Diagram 56116048 REV B

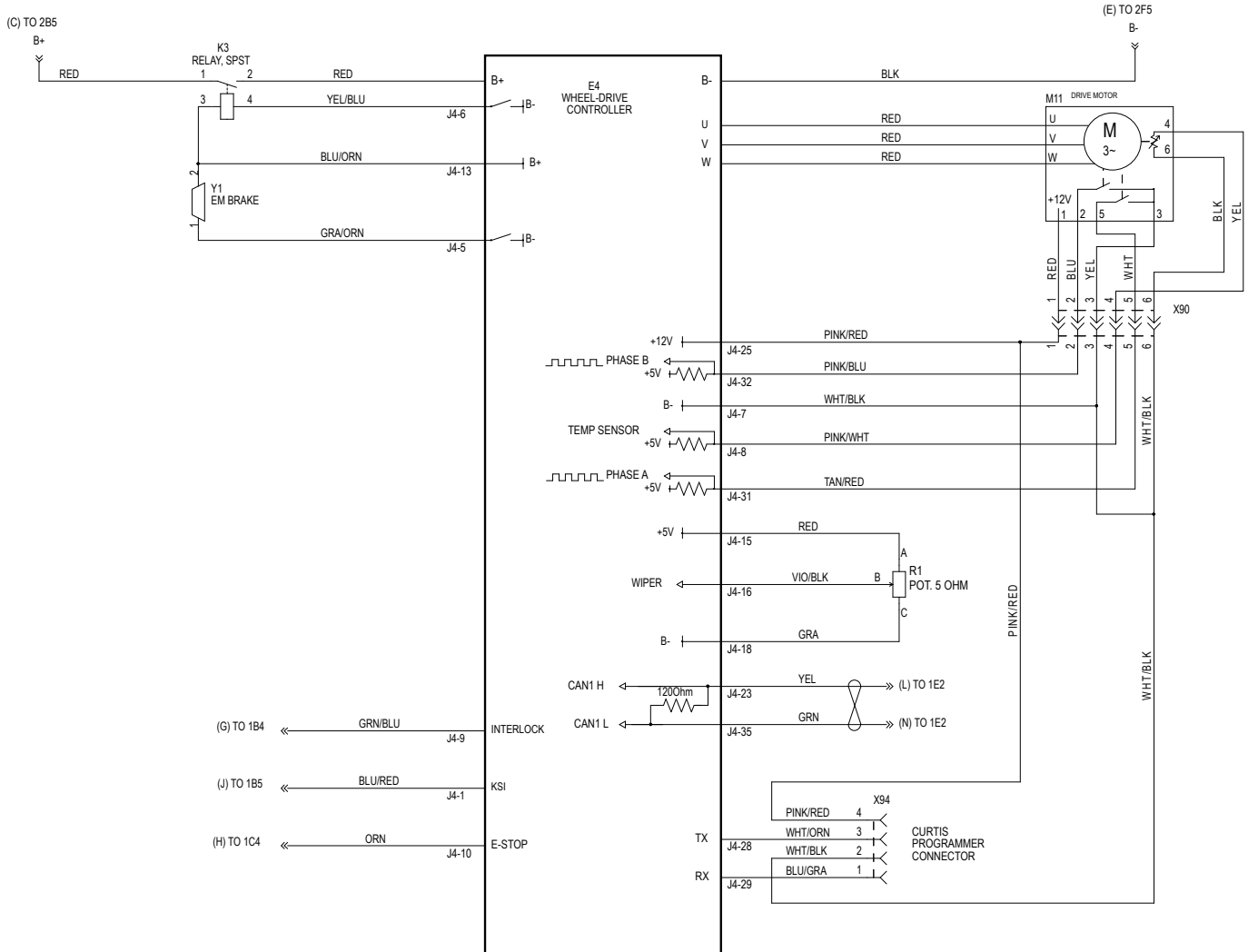
## LADDER DIAGRAM-2

| Kit | Item | Ref. No.   | Qty | Description                                  |
|-----|------|------------|-----|--|
|     | A1   |            | 1   | Telematics Module <b>(Optional)</b>          |
|     | A10  | 56116518   | 1   | Smart Key                                    |
|     | A11  | 56601052   | 1   | Foot Pedal                                   |
|     | BT1  | N/A        | 1   | Battery 36VDC                                |
|     | CB1  | 56507644   | 1   | 10amp Breaker                                |
|     | E1   | 56315774   | 1   | Battery Charger <b>(Optional)</b>            |
|     | E2   | 56116054   | 1   | Main Control Board Assy                      |
|     | E3   | 56116087   | 1   | Power Module                                 |
|     | E4   | 56116131   | 1   | Wheel Drive Controller                       |
|     | F1   | 56115432   | 1   | 150 Amp Fuse                                 |
|     | H1   | 56116375   | 1   | Horn   |
|     | H2   | 56116374   | 1   | Back-Up Alarm <b>(Optional)</b>              |
|     | J3   | 56116601   | 1   | USB <b>(Optional)</b>                        |
|     | K1   | 40892A     | 1   | Main Relay                                   |
|     | K2   | 56303198   | 1   | Power Module Contactor                       |
|     | K3   | 56303198   | 1   | Speed Controller Contactor                   |
|     | L1   | 56116248   | 1   | Solenoid Valve                               |
|     | L2   | 56116975   | 1   | Valve-Solenoid-36VDC <b>(Optional)</b>       |
|     | LP1  | 56383032   | 1   | Headlight <b>(Optional)</b>                  |
|     | LP2  | 56383032   | 1   | Headlight <b>(Optional)</b>                  |
|     | LP3  | 56116353   | 1   | Beacon, Flashing <b>(Optional)</b>           |
|     | M1   | 56116159   | 1   | Motor, Right Brush Disc                      |
|     | M2   | 56116159   | 1   | Motor, Left Brush Disc                       |
|     | M3   | 56116761   | 1   | Side Sweep <b>(Optional)</b>                 |
|     | M4   | 56116105   | 1   | Motor, Vacuum 1                              |
|     | M5   | 56116105   | 1   | Motor, Vacuum 2 <b>(Optional)</b>            |
|     | M6   | 56116781   | 1   | Squeegee Actuator                            |
|     | M7   |            | 1   | Deck Actuator                                |
|     | M8   | 56110742   | 1   | Detergent Pump                               |
|     | M9   | 56110742   | 1   | Detergent Pump                               |
|     | M10  | 56116767   | 1   | Dust Guard Pump/ Wash Pump <b>(Optional)</b> |
|     | M11  | 56116309   | 1   | Drive Motor                                  |
|     | S1   | 7-82-00050 | 1   | SW, Seat                                     |
|     | S2   | 56104247   | 1   | SW, Emergency                                |
|     | S3   | 56104405   | 1   | SW, Horn                                     |
|     | S4   | 56104405   | 1   | SW, Bop                                      |
|     | S5   | 56104405   | 1   | SW, Solution                                 |
|     | S6   | 56116842   | 1   | Switch, Float                                |
|     | S7   | 56116372   | 1   | Level Sensor                                 |
|     | S8   | 56116784   | 1   | Side Sweep <b>(Optional)</b>                 |

**Color Codes**

|      |        |
|------|--------|
| BLK  | Black  |
| BLU  | Blue   |
| BRN  | Brown  |
| GRA  | Gray   |
| GRN  | Green  |
| ORN  | Orange |
| PINK | Pink   |
| RED  | Red    |
| TAN  | Tan    |
| VIO  | Violet |
| WHT  | White  |
| YEL  | Yellow |

### LADDER DIAGRAM-3



Ladder Diagram 56116048 REV B

## LADDER DIAGRAM-3

| Kit | Item | Ref. No.   | Qty | Description                                  |
|-----|------|------------|-----|--|
|     | A1   |            | 1   | Telematics Module <b>(Optional)</b>          |
|     | A10  | 56116518   | 1   | Smart Key                                    |
|     | A11  | 56601052   | 1   | Foot Pedal                                   |
|     | BT1  | N/A        | 1   | Battery 36VDC                                |
|     | CB1  | 56507644   | 1   | 10amp Breaker                                |
|     | E1   | 56315774   | 1   | Battery Charger <b>(Optional)</b>            |
|     | E2   | 56116054   | 1   | Main Control Board Assy                      |
|     | E3   | 56116087   | 1   | Power Module                                 |
|     | E4   | 56116131   | 1   | Wheel Drive Controller                       |
|     | F1   | 56115432   | 1   | 150 Amp Fuse                                 |
|     | H1   | 56116375   | 1   | Horn   |
|     | H2   | 56116374   | 1   | Back-Up Alarm <b>(Optional)</b>              |
|     | J3   | 56116601   | 1   | USB <b>(Optional)</b>                        |
|     | K1   | 40892A     | 1   | Main Relay                                   |
|     | K2   | 56303198   | 1   | Power Module Contactor                       |
|     | K3   | 56303198   | 1   | Speed Controller Contactor                   |
|     | L1   | 56116248   | 1   | Solenoid Valve                               |
|     | L2   | 56116975   | 1   | Valve-Solenoid-36VDC <b>(Optional)</b>       |
|     | LP1  | 56383032   | 1   | Headlight <b>(Optional)</b>                  |
|     | LP2  | 56383032   | 1   | Headlight <b>(Optional)</b>                  |
|     | LP3  | 56116353   | 1   | Beacon, Flashing <b>(Optional)</b>           |
|     | M1   | 56116159   | 1   | Motor, Right Brush Disc                      |
|     | M2   | 56116159   | 1   | Motor, Left Brush Disc                       |
|     | M3   | 56116761   | 1   | Side Sweep <b>(Optional)</b>                 |
|     | M4   | 56116105   | 1   | Motor, Vacuum 1                              |
|     | M5   | 56116105   | 1   | Motor, Vacuum 2 <b>(Optional)</b>            |
|     | M6   | 56116781   | 1   | Squeegee Actuator                            |
|     | M7   |            | 1   | Deck Actuator                                |
|     | M8   | 56110742   | 1   | Detergent Pump                               |
|     | M9   | 56110742   | 1   | Detergent Pump                               |
|     | M10  | 56116767   | 1   | Dust Guard Pump/ Wash Pump <b>(Optional)</b> |
|     | M11  | 56116309   | 1   | Drive Motor                                  |
|     | S1   | 7-82-00050 | 1   | SW, Seat                                     |
|     | S2   | 56104247   | 1   | SW, Emergency                                |
|     | S3   | 56104405   | 1   | SW, Horn                                     |
|     | S4   | 56104405   | 1   | SW, Bop                                      |
|     | S5   | 56104405   | 1   | SW, Solution                                 |
|     | S6   | 56116842   | 1   | Switch, Float                                |
|     | S7   | 56116372   | 1   | Level Sensor                                 |
|     | S8   | 56116784   | 1   | Side Sweep <b>(Optional)</b>                 |

**Color Codes**

|      |        |
|------|--------|
| BLK  | Black  |
| BLU  | Blue   |
| BRN  | Brown  |
| GRA  | Gray   |
| GRN  | Green  |
| ORN  | Orange |
| PINK | Pink   |
| RED  | Red    |
| TAN  | Tan    |
| VIO  | Violet |
| WHT  | White  |
| YEL  | Yellow |

## OPTIONS & ACCESSORIES

| Item | Ref. No. | Qty | Description                 |
|------|----------|-----|-----------------------------|
|      |          |     | Accessories                 |
| *    | 56116152 | 1   | Overhead Guard Kit          |
| *    | 56116280 | 1   | Side Sweep Kit              |
| *    | 56116351 | 1   | Back-Up Alarm Kit           |
| *    | 56116352 | 1   | Beacon Kit                  |
| *    | 56116355 | 1   | Vacuum Wand Kit             |
| *    | 56116357 | 1   | On Board Charger Kit        |
| *    | 56116358 | 1   | Solution Auto Fill Kit      |
| *    | 56116359 | 1   | Bumper Kit-Heavy Duty-Front |
| *    | 56116361 | 1   | Squeegee Guard Kit          |
| *    | 56116364 | 1   | Foot Guard Kit              |
| *    | 56116366 | 1   | Deluxe Seat Kit             |
| *    | 56116370 | 1   | Dual Vacuum Motor Kit       |
| *    | 56116371 | 1   | Headlight Kit               |
| *    | 56116512 | 1   | Wash Hose Kit               |
| *    | 56116513 | 1   | Dust Guard Kit              |
| *    | 56116517 | 1   | EcoFlex Kit                 |
| *    | 56116576 | 1   | Weight Kit-Steering Column  |
| *    | 56116600 | 1   | Seat Kit-Standard           |
| *    | 56116614 | 1   | Battery Watering Kit-36V    |
| *    | 56116615 | 1   | Battery Watering Assembly   |
| *    | 56116619 | 1   | Mop Holder Kit              |
| *    | 56116686 | 1   | Overhead Guard Kit-Short    |
| *    | 56116731 | 1   | TRACKCLEAN SC6000 Kit       |
| *    | 56116856 | 1   | USB Kit                     |
| *    | 56383189 | 1   | Arm Rest Kit-R/H Only       |
| *    | 56383455 | 1   | Seat Belt Kit-Standard Seat |
| *    | 56601410 | 1   | Drain Hose Extension        |
|      |          |     | Options                     |
|      | 56116600 | 1   | Seat Kit-Standard           |
|      | 56116518 | 1   | Smart Key-User              |
|      | 56116519 | 1   | Smart Key-Supervisor        |
|      | 56044693 | 1   | Literature Pack ADVANCE     |

## OPTIONS & ACCESSORIES (CONTINUED)

| Item | Ref. No. | Qty | Description   |
|------|----------|-----|---|
|      |          |     | Kits  |
|      |          |     | 34D Squeegee Blade Kits for 56116378 <b>(See Squeegee Blade Selector Guide)</b>               |
|      | 56116704 | 1   | Squeegee Blade Kit-Red Gum J <b>NOTE 1</b>  |
| *    | 56116707 | 1   | Squeegee Blade Kit-PU J <b>NOTE 1</b>   |
|      |          |     | 36C & 40D Squeegee Blade Kits for 56116379 <b>(See Squeegee Blade Selector Guide)</b>         |
|      | 56116705 | 1   | Squeegee Blade Kit-Red Gum K <b>NOTE 1</b>  |
| *    | 56116708 | 1   | Squeegee Blade Kit-PU K <b>NOTE 1</b>   |
|      |          |     | Scrub System Side Blade Kits for Cylindrical and Disc Decks <b>(See Blade Selector Guide)</b> |
|      | 56116706 | 1   | Side Blade Kit-Red Gum  |
| *    | 56116709 | 1   | Side Blade Kit-PU   |
|      |          |     | 34D Disc Scrub Brushes <b>(See Brush Selector Guide)</b>                                      |
| *    | 56505780 | 2   | Pad Holder-17 3 Lug   |
| *    | 56505781 | 2   | Disc Brush-17 Magnagrit 3 Lug   |
| *    | 56505782 | 2   | Disc Brush-17 Dynagrit 3 Lug  |
| *    | 56505783 | 2   | Disc Brush-17 Aglite 3 Lug  |
| *    | 56505784 | 2   | Disc Brush-17 Prolene 3 Lug   |
| *    | 56505785 | 2   | Disc Brush-17 Prolite 3 Lug   |
| *    | 56505786 | 2   | Disc Brush-17 Union Mix 3 Lug   |
| *    | 56505787 | 2   | Disc Brush-17 Midgrip 3 Lug   |
| *    | 56505788 | 2   | Disc Brush-17 Midlite 3 Lug   |
|      |          |     | 40D Disc Scrub Brushes <b>(See Brush Selector Guide)</b>                                      |
| *    | 56505790 | 2   | Pad Holder-20 3 Lug   |
| *    | 56505791 | 2   | Disc Brush-20 Magnagrit 3 Lug   |
| *    | 56505792 | 2   | Disc Brush-20 Dyna Grit 3 Lug   |
| *    | 56505793 | 2   | Disc Brush-20 Aglite 3 Lug  |
| *    | 56505794 | 2   | Disc Brush-20 Prolene 3 Lug   |
| *    | 56505795 | 2   | Disc Brush-20 Prolite 3 Lug   |
| *    | 56505796 | 2   | Disc Brush-20 Union Mix 3 Lug   |
| *    | 56505797 | 2   | Disc Brush-20 Midgrip 3 Lug   |
| *    | 56505798 | 2   | Disc Brush-20 Midlite 3 Lug   |
|      |          |     | 36C Cylindrical Scrub Brushes <b>(See Brush Selector Guide)</b>                               |
| *    | 56116043 | 2   | Brush-Cyl-Hard Nyl-Natural-7in  |
| *    | 56116044 | 2   | Brush-Cyl-180 Grit-Blue-7in   |
| *    | 56116045 | 2   | Brush-Cyl-80 Grit-Black-7in   |
| *    | 56116046 | 2   | Brush-Cyl-Soft Nyl-Yellow-7in   |
| *    | 56116047 | 2   | Brush-Cyl-Polypro-Red-7in   |
|      |          |     | Side Sweep Brush  |
| *    | 56116858 | 1   | Poly Broom  |

\* = Optional, Not Included

**NOTE 1:** All squeegee blade kits include both front and rear squeegee blades.

**RECOMMENDED SPARE PARTS****WEAR ITEMS****BRUSHES**

| <b>Disc Scrub Brushes</b> | <b>34D</b> | <b>40D</b> |
|---------------------------|------------|------------|
| Brush Pad Holder          | 56505780   | 56505790   |
| MagnaGrit                 | 56505781   | 56505791   |
| DynaGrit                  | 56505782   | 56505792   |
| AgLite                    | 56505783   | 56505793   |
| Prolene                   | 56505784   | 56505794   |
| ProLite                   | 56505785   | 56505795   |
| Union Mix                 | 56505786   | 56505796   |
| MidGrit                   | 56505787   | 56505797   |
| MidLite Grit              | 56505788   | 56505798   |

| <b>Cylindrical Scrub Brushes</b> |  | <b>36C</b> |
|----------------------------------|--|------------|
| Soft Nylon                       |  | 56116046   |
| Hard Nylon                       |  | 56116043   |
| Prolene                          |  | 56116047   |
| 180 Grit                         |  | 56116044   |
| 80 Grit                          |  | 56116045   |

**BROOMS**

| <b>Side Sweep</b> |  | <b>36C</b> |
|-------------------|--|------------|
| Poly Broom        |  | 56116858   |

**DECK BLADES**

| <b>Disc Deck Blade Kits</b>  | <b>34D</b> | <b>40D</b> |
|------------------------------|------------|------------|
| Kit, Red Gum Side Blade      | 56116706   |            |
| Kit, Polyurethane Side Blade | 56116709   |            |
| Kit, Red Gum Side Blade      |            | 56116706   |
| Kit, Polyurethane Side Blade |            | 56116709   |

| <b>Cylindrical Deck Blade Kits</b> |  | <b>36C</b> |
|------------------------------------|--|------------|
| Kit, Red Gum Side Blade            |  | 56116706   |
| Kit, Polyurethane Side Blade       |  | 56116709   |

**REAR SQUEEGEE BLADES**

| <b>Squeegee Blade Kits</b>       | <b>34 (J)</b> | <b>36C &amp; 40D (K)</b> |
|----------------------------------|---------------|--------------------------|
| Kit, Red Gum Squeegee Blade      | 56116704      |                          |
| Kit, Polyurethane Squeegee Blade | 56116707      |                          |
| Kit, Red Gum Squeegee Blade      |               | 56116705                 |
| Kit, Polyurethane Squeegee Blade |               | 56116708                 |



## RECOMMENDED SPARE PARTS PERIODIC SERVICE ITEMS AND SPARES

### CLASS

W = Normal Wear  
O = Ordinary Maintenance  
E = Extra-Ordinary Maintenance

### Class Ref No. Description

#### CHASSIS

E 56116781 Actuator-Squeegee

#### CONTROL SYSTEM

E 56118037 Foot Pedal Assy  
E 56116056 Membrane Panel Assembly  
E 56116054 Pcb Box Assembly  
E 56116477 lbutton-Probe  
O 56116518 Smart Key-User  
O 56116519 Smart Key-Supervisor  
E 56507644 Circuit Breaker 10 Amp  
E 40892A Relay Dpdt 36vdc  
E 7-82-00050 Switch Seat  
E 56317072 Gas Spring

#### ELECTRICAL SYSTEM

E 56116087 Module-High Power  
E 56116131 Speed Control  
O 56115432 Fuse-150 Amp  
O 56303198 Contactor 36v Type 4

#### RECOVERY SYSTEM

O 56116500 Drain Hose Assembly  
O 56116537 Squeegee Hose Assembly  
O 56116698 Gasket-Vacuum Cover  
O 56116722 Debris Tray Assembly  
E 56116842 Switch-Float Mechanical 120v  
O 56116392 Screen-Filter  
O 56116394 Filter-Vacuum Inlet  
O 56116104 Cover-Vacuum Motor  
O 56118005 Seal-Vacuum Block  
O 56116105 Motor-Vacuum 36vdc  
O 56116107 Vacuum Motor Brush Kit  
O 56116486 Seal-Recovery Cover  
O 33003458 Clamp 60-80  
O 56116105 Motor-Vacuum 36vdc  
O 56116107 Vacuum Motor Brush Kit  
O 56116922 Vacuum Motor Seal Kit

#### SCRUB SYSTEM

O 56118041 Actuator Assembly-Heavy Duty (All)  
E 56116159 Motor-36vdc-1900rpm-1hp (36C)  
O 56422152 Kit Wheel Drive Brushes (All)  
E 56116032 Cap-Hub  
O 56116545 Knob-M12-Lobe Disc (34D, 40D)  
E 56116213 Gearmotor-36vdc-250rpm-1.0hp Disc (34D, 40D)  
O 56601276 Brush Plate Assembly Disc (34D, 40D)  
O 56601384 Brush Plate Assembly Disc (34D, 40D)  
O 56116979 Latch Kit

### Class Ref No. Description

#### SCRUB SYSTEM (CONTINUED)

O 56116983 Knob Kit-Side Wiper  
O 56116929 Disk Strap Kit-Both Sides Disc (34D, 40D)  
O 56116877 Latch Kit-Both Sides (36C)  
E 56116885 Belt Kit-Both Sides (36C)  
E 56116890 Hub Kit (36C)  
E 56116887 Sheave Kit (36C)  
E 56116889 Idler Housing Kit (36C)  
O 56116984 Cylinder Strap Kit-Both Sides (36C)

#### SOLUTION SYSTEM

E 56116759 Valve-Ball-5/8x3/4in Brb  
O 9097944000 Filter Net Ss 50 Mesh For  
E 9097945000 Cap With Seal-Solution Filter  
O 9097943000 Gasket For Water Filter  
O 56104408 Chemical Bottle Assy  
E 56110742 Pump Detergent 12v  
O 56315517 Cap  
O 56315523 Cap Dry Break 1/8 Barb  
O 56116923 Drain Hose Kit  
O 56116924 Filter Kit  
O 56116875 Solenoid Valve Kit  
O 56116891 Solenoid Seal Kit

#### SQUEEGEE SYSTEM

E 56116545 Knob-M12-Lobe  
O 56116907 Caster Assembly  
O 56116894 Squeegee Tilt Adjuster Kit  
E 56116912 Squeegee Knob Kit-Both

#### SWEEP SYSTEM

E 56116784 Sensor-Proximity  
E 56116761 Gear Motor-Sweep-Right  
O 56116897 Carbon Brushes Kit  
O 1463960000 Clamp With Pin

#### WHEEL & BRAKE SYSTEM

E 56483135 Cap Grease  
E 56116032 Cap-Hub  
O 56116809 Bearing-Drive Wheel  
E 56116811 Cover-Brake  
E 56116916 Steering Chain Kit  
E 56116918 Spindle Bearing Kit  
E 56116033 Bearing Kit-Rear Wheel  
E 56116919 Rear Wheel Kit  
E 56116917 Hardware Kit-Wheel System

## BRUSH SELECTOR GUIDE - DISC

We provide brushes and pad holders that will give you the best possible performance between machine and floor. Following are descriptions of the materials and their applications.

- ProLite:** Bristles are made from light-duty polypropylene for general scrubbing when you do not want to scratch or remove finish from the floor. Recommended for use in place of red pads.
- Prolene:** Polypropylene material for medium-duty scrubbing on concrete, terrazzo and vinyl floor tile. Recommended for use in place of green or blue pads.
- Union Mix:** Medium grade natural fibers for polishing finished floors with standard-speed equipment. Recommended for use in place of white pads.
- AgLite Grit 500:** For light scrubbing when used wet; buffing or polishing when used dry on urethane coated, sealed concrete or other resilient hard surface floors. Recommended for use in place of red or white pads.
- MidGrit 240:** For general purpose scrubbing when you need a lighter action for sealed or unsealed concrete, stone, terrazzo, quarry tile and other resilient hard floor surfaces. Recommended for use in place of green or blue pads.
- MidLite Grit 180:** For general purpose scrubbing of sealed or unsealed concrete, stone, terrazzo, quarry tile and other resilient hard floor surfaces. Recommended for use in place of green or blue pads.
- Dyna Grit 80:** For aggressive, heavy-duty scrubbing or stripping of floors. Recommended for use in place of brown pads.
- Magna Grit 46:** For extreme heavy-duty scrubbing or stripping of floors. This brush has extra large diameter silicon carbide grit impregnated synthetic bristles. Recommended for use in place of black pads.
- Short Trim Pad Holder:** Made with a structural foam block and center ring for correct pad centering. It has a "shower feed" design for getting solution to the floor.

### SC6000 34D DISC BRUSHES

- 56505780 - Pad Holder-17 3 Lug
- 56505781 - Disc Brush-17 Magnagrit 3 Lug
- 56505782 - Disc Brush-17 Dynagrit 3 Lug
- 56505783 - Disc Brush-17 Aglite 3 Lug
- 56505784 - Disc Brush-17 Prolene 3 Lug
- 56505785 - Disc Brush-17 Prolite 3 Lug
- 56505786 - Disc Brush-17 Union Mix 3 Lug
- 56505787 - Disc Brush-17 Midgrit 3 Lug
- 56505788 - Disc Brush-17 Midlite 3 Lug

### SC6000 40D DISC BRUSHES

- 56505790 - Pad Holder-20 3 Lug
- 56505791 - Disc Brush-20 Magnagrit 3 Lug
- 56505792 - Disc Brush-20 Dyna Grit 3 Lug
- 56505793 - Disc Brush-20 Aglite 3 Lug
- 56505794 - Disc Brush-20 Prolene 3 Lug
- 56505795 - Disc Brush-20 Prolite 3 Lug
- 56505796 - Disc Brush-20 Union Mix 3 Lug
- 56505797 - Disc Brush-20 Midgrit 3 Lug
- 56505798 - Disc Brush-20 Midlite 3 Lug

## DISC BRUSH APPLICATION GUIDE (SUGGESTION ONLY)

|                           | 46   | 80   | 180  | 240  | 500  | Prolene | Prolite | Union Mix |
|---------------------------|------|------|------|------|------|---------|---------|-----------|
| Application               | Grit | Grit | Grit | Grit | Grit |         |         |           |
| <b>Stripping:</b>         |      |      |      |      |      |         |         |           |
| Concrete                  | X    | X    |      |      |      |         |         |           |
| Terrazzo                  | X    | X    |      |      |      |         |         |           |
| Ceramic/Quarry tile       |      | X    |      |      |      |         |         |           |
| Vinyl tile                |      | X    |      |      |      |         |         |           |
| <b>General Scrubbing:</b> |      |      |      |      |      |         |         |           |
| Concrete                  | X    | X    | X    | X    |      | X       |         |           |
| Terrazzo                  |      |      | X    | X    | X    | X       |         |           |
| Ceramic/Quarry tile       |      |      | X    | X    | X    | X       |         |           |
| Marble                    |      |      |      |      | X    |         | X       |           |
| Vinyl tile                |      |      | X    |      | X    | X       |         |           |
| Raised-rubber tile        |      |      |      |      | X    |         | X       |           |
| <b>Polishing:</b>         |      |      |      |      |      |         |         |           |
| Raised Disc Tile          |      |      |      |      |      |         |         | X         |
| Marble                    |      |      |      |      |      |         |         | X         |
| Vinyl tile                |      |      |      |      |      |         |         | X         |

## BRUSH SELECTOR GUIDE - CYLINDRICAL

We provide brushes and pad holders that will give you the best possible performance between machine and floor. Following are descriptions of the materials and their applications.

- Soft Nylon:** Least aggressive brush available. Used on soft-finish floors where a more aggressive brush would leave scratch marks, or in applications requiring very light cleaning.
- Stiff Nylon:** Cleaning action similar to polypropylene. More durable and wear-resistant than polypropylene.
- Prolene:** Low cost, yet effective in cleaning many common floor surfaces.
- MidLite Grit 180:** Least aggressive grit brush. Used for daily cleaning of hard-finished floors.
- Dyna Grit 80:** Medium aggressive grit brush. Good all-around brush for medium to heavy buildup removal. Can also be used for general stripping operations.
- Magna Grit 46:** Most aggressive grit brush. Used primarily to clean heavy buildup on concrete floors in factories, or for heavy stripping of finish.

### SC6000 36C CYLINDRICAL BRUSHES

- 56116043 - Brush-Cyl-Hard Nyl-Natural-7in
- 56116044 - Brush-Cyl-180 Grit-Blue-7in
- 56116045 - Brush-Cyl-80 Grit-Black-7in
- 56116046 - Brush-Cyl-Soft Nyl-Yellow-7in
- 56116047 - Brush-Cyl-Polypro-Red-7in

### CYLINDRICAL BRUSH APPLICATION GUIDE (SUGGESTION ONLY)

| Application               | 46<br>Grit | 80<br>Grit | 180<br>Grit | Polypro-<br>pylene | Stiff<br>Nylon | Soft<br>Nylon |
|---------------------------|------------|------------|-------------|--------------------|----------------|---------------|
| <b>Stripping:</b>         |            |            |             |                    |                |               |
| Concrete                  | X          | X          |             |                    |                |               |
| Terrazzo                  | X          | X          |             |                    |                |               |
| Ceramic/Quarry tile       |            | X          |             |                    |                |               |
| Vinyl tile                |            | X          |             |                    |                |               |
| <b>General Scrubbing:</b> |            |            |             |                    |                |               |
| Concrete                  | X          | X          | X           | X                  | X              |               |
| Terrazzo                  |            |            | X           | X                  | X              | X             |
| Ceramic/Quarry tile       |            |            | X           | X                  | X              | X             |
| Marble                    |            |            | X           |                    | X              | X             |
| Vinyl tile                |            |            | X           | X                  | X              | X             |
| Raised-rubber tile        |            |            | X           |                    |                | X             |

## SQUEEGEE BLADE SELECTOR GUIDE

Gum Rubber: Provides superior wiping action on tile, terrazzo, and polished floors.

Red Gum Rubber: Provides longest life on finished or unfinished concrete floors.

Polyurethane: Oil resistance provides superior life in applications with oily floors.

### SQUEEGEE BLADE APPLICATION GUIDE(SUGGESTION ONLY)

|                            | Gum Rubber<br>(Natural Rubber) | Red Gum Rubber<br>(Natural Rubber) | Polyurethane/<br>Pentathane |
|----------------------------|--------------------------------|------------------------------------|-----------------------------|
| <b>Performance Traits</b>  |                                |                                    |                             |
| Tear Strength              |                                | X                                  | X                           |
| Abrasion Resistance        |                                | X                                  | X                           |
| <b>Applications</b>        |                                |                                    |                             |
| Oil Resistant Applications |                                |                                    | X                           |
| <b>Appearance</b>          | Tan                            | Red                                | Translucent                 |









**Advance**

9435 Winnetka Ave North  
Minneapolis, MN 55445  
[www.advance-us.com](http://www.advance-us.com)  
Phone: 800-989-2235  
Fax: 800-989-6566  
©2016 Nilfisk, Inc.

---

**A Nilfisk Brand**