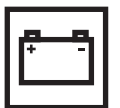


Model: 9087350020 - 9087351020



SC500

PARTS LIST



TABLE OF CONTENTS

GENERAL VIEW	2
RECOVERY TANK	6
MOTOR DRIVE	8
PADDLE AND DASHBOARD	10
REAR WHEELS	12
SQUEEGEE SYSTEM.....	14
DISC DECK.....	16
ELECTRICAL COMPONENTS.....	18
BATTERY CHARGER	20
ECOFLEX SYSTEM.....	22
ACCESSORIES.....	24
WIRING DIAGRAM	30
RECOMMENDED PARTS.....	32
ACCESSORIES/OPTIONALS.....	33

WHEN ORDERING PARTS

- Use the part numbers from the “REF. NO.” columns in this parts list. If the “REF. NO.” column is blank; look under the “KIT” column to identify which kit contains the part in question, then use the kit callout, for example “K1”, to find the “REF. NO.” for that kit.
- Specify the model and serial number of the machine.
- Use the space below to record the model and serial number for future reference.

Model

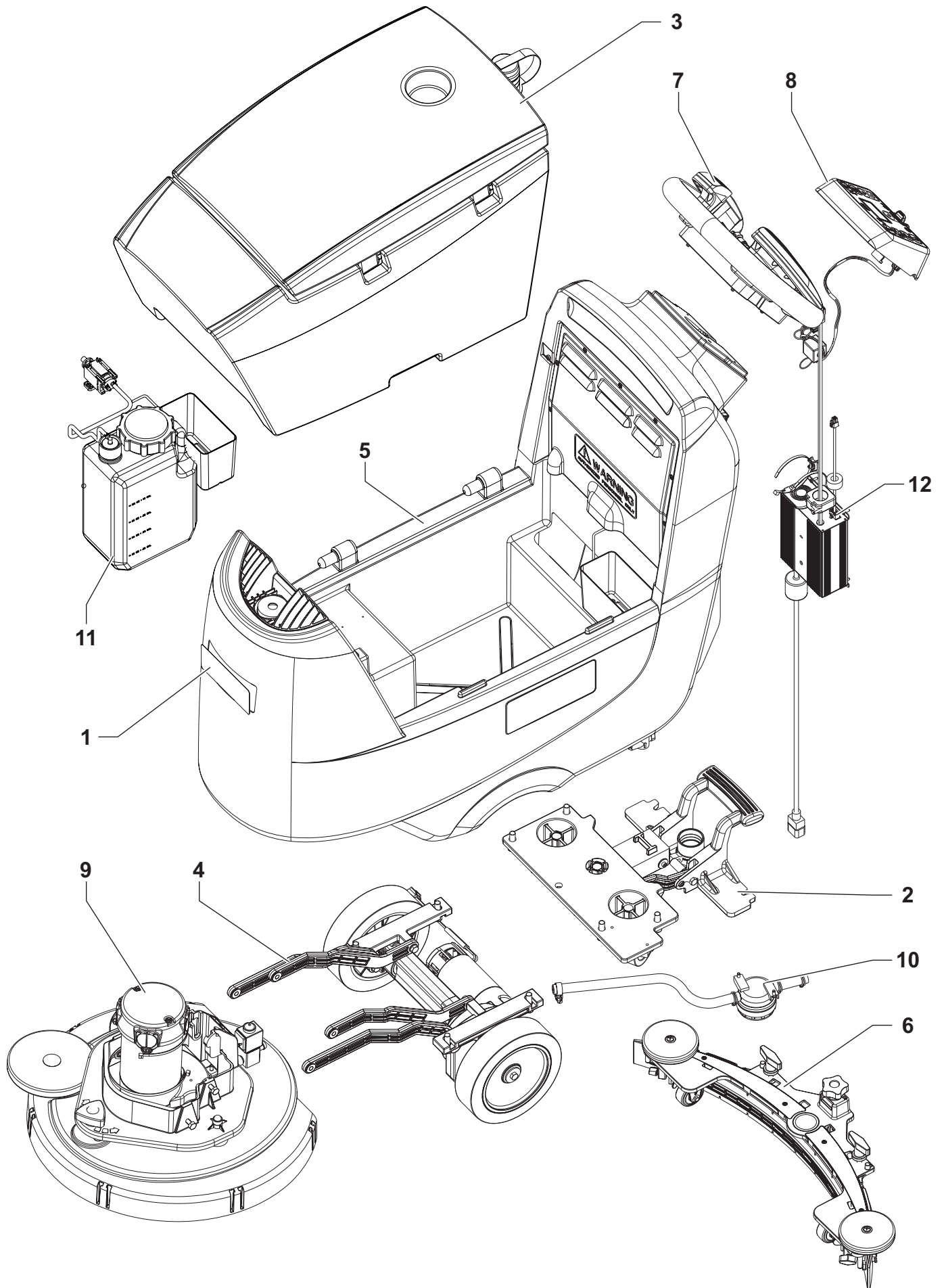
Serial No.

* = Optional

= Modified item No. or New item No.

[] = Not shown

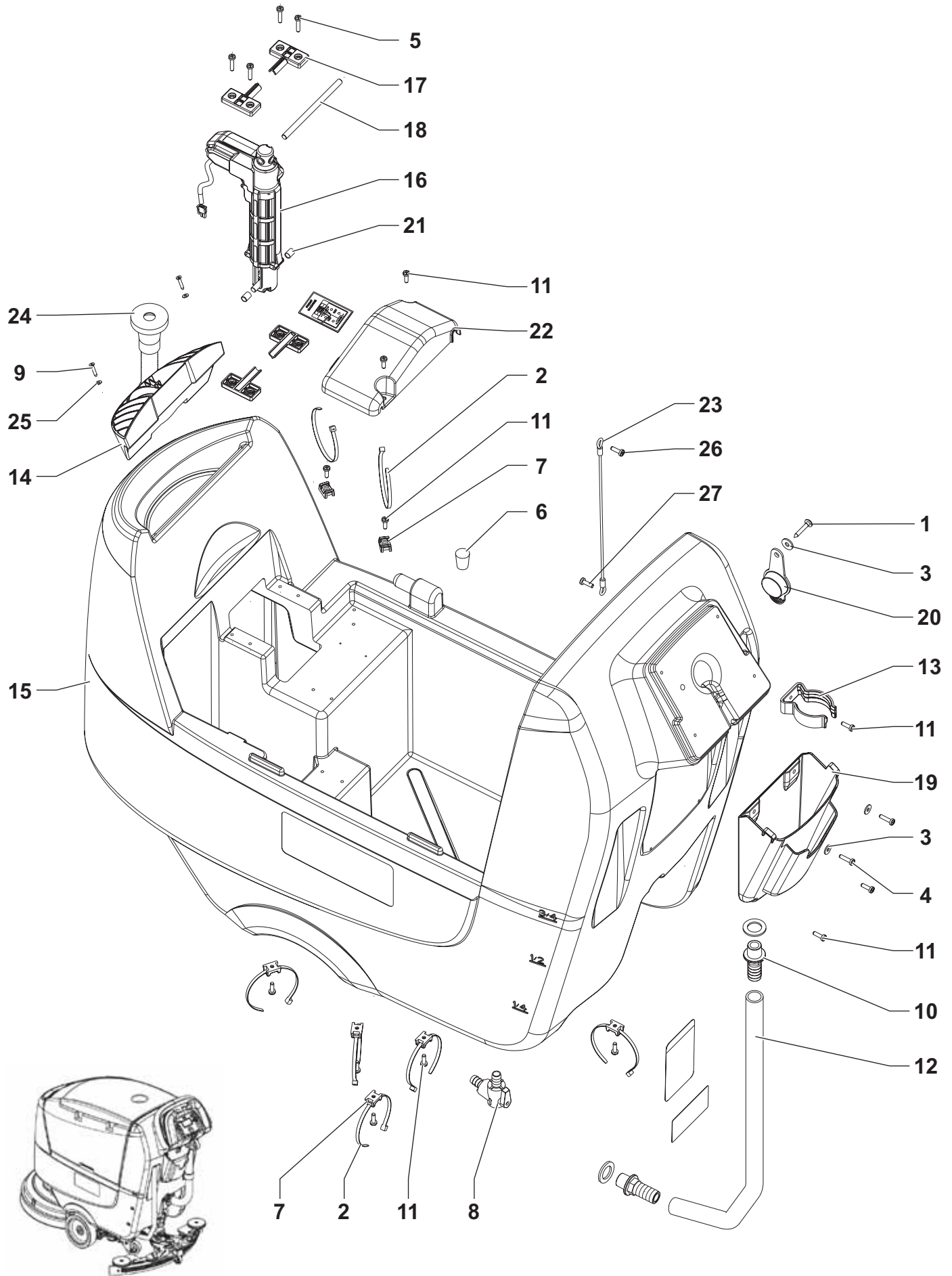
GENERAL VIEW



GENERAL VIEW

KIT	ITEM	REF. NO.	QTY	DESCRIPTION	DESCRIZIONE
	1	9100000735	1	DECALS NILFISK SC500 KIT	KIT ADESIVI NILFISK SC500
	2		1	WHEELS REAR-SQUEEGEE ASSEMBLY	GRUPPO RUOTE POSTERIORI-TERGITORE
	3		1	TANK RECOVERY ASSEMBLY	GRUPPO SERBATOIO RECUPERO
	4		1	MOTOR DRIVE ASSEMBLY	GRUPPO MOTODIFFERENZIALE
	5		1	TANK SOLUTION ASSEMBLY	GRUPPO SERBATOIO SOLUZIONE
	6		1	SQUEEGEE ASSEMBLY	GRUPPO TERGITORE
	7		1	PADDLE ASSEMBLY	GRUPPO PADDLE
	8		1	PANEL CONTROL ASSEMBLY	GRUPPO PLANCIA
	9		1	DECK BRUSH ASSEMBLY	GRUPPO TESTATA SPAZZOLA
	10		1	SYSTEM SOLUTION ASSEMBLY	GRUPPO SISTEMA SOLUZIONE
	11		1	ECOFLEX ASSEMBLY	GRUPPO ECOFLEX
	12		1	CHARGER BATTERY ASSEMBLY	GRUPPO CARICABATTERIA

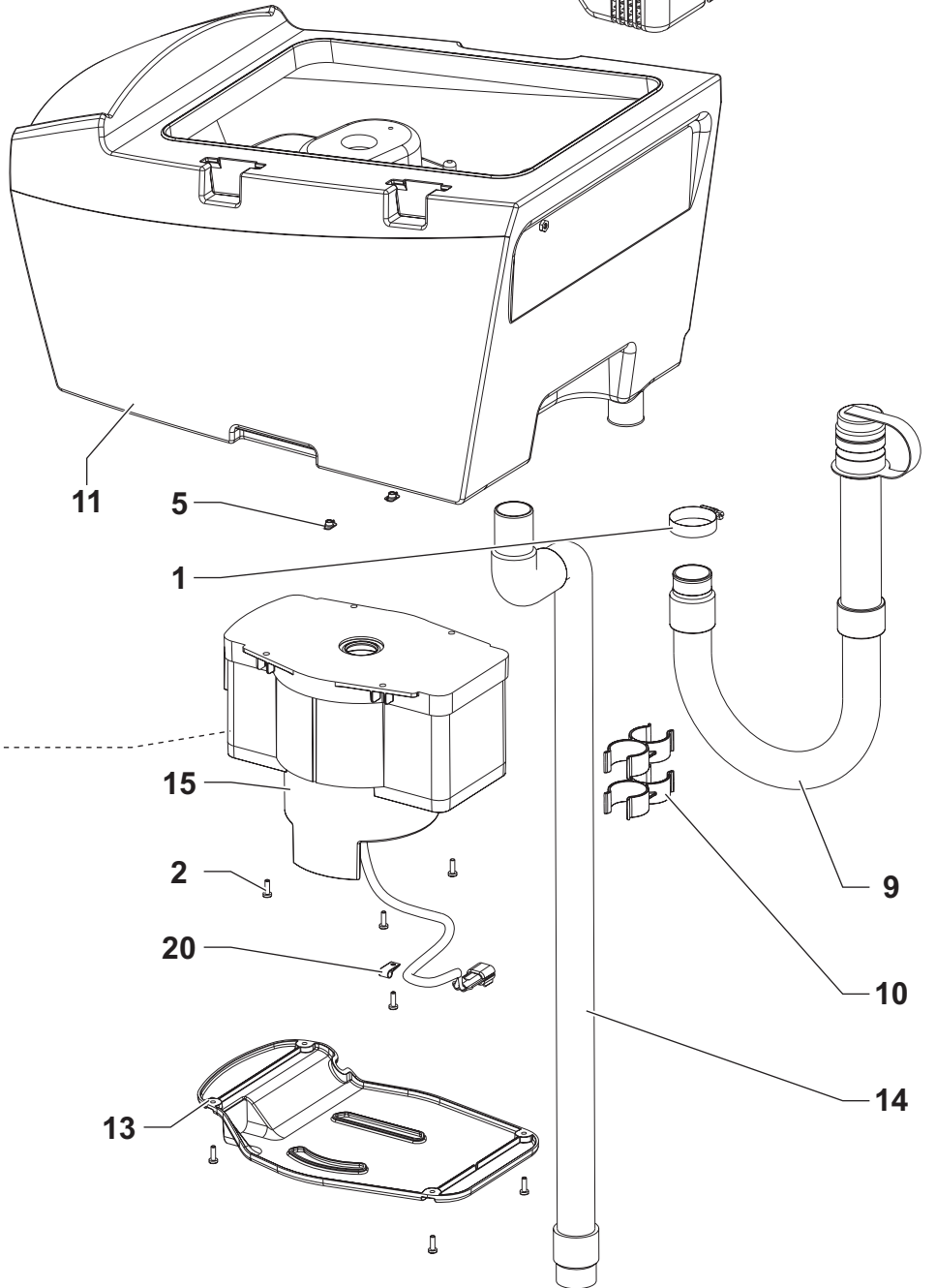
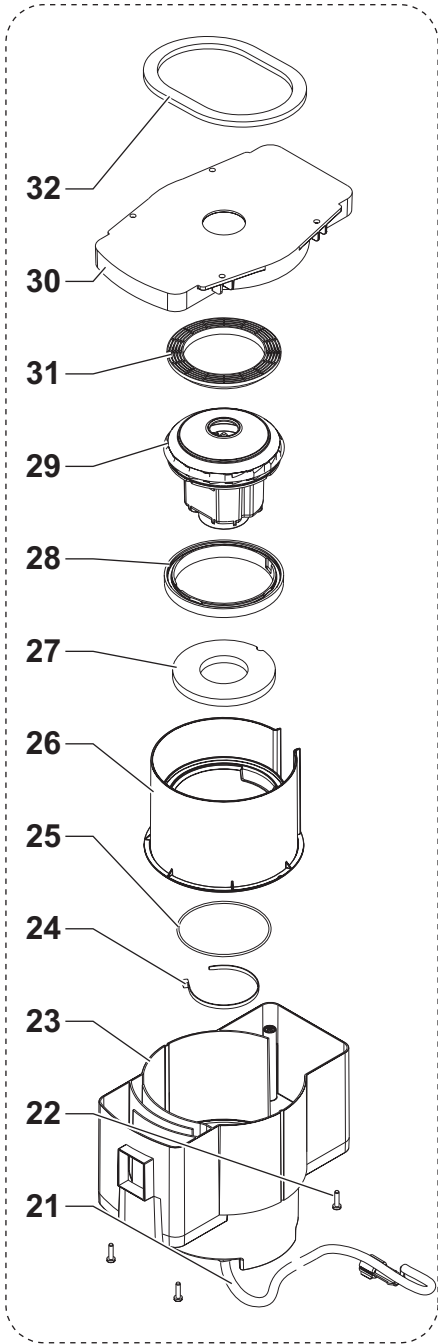
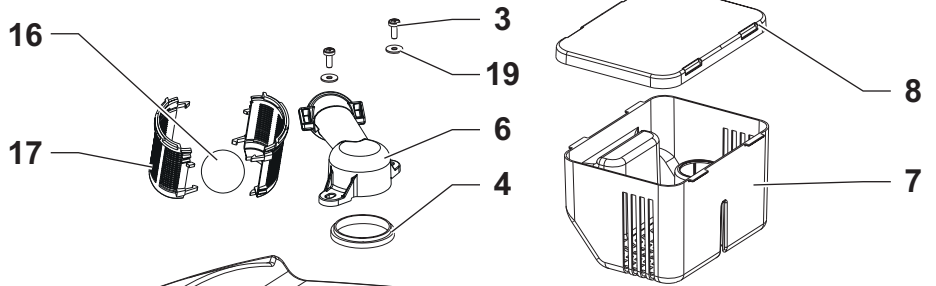
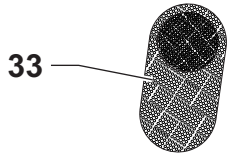
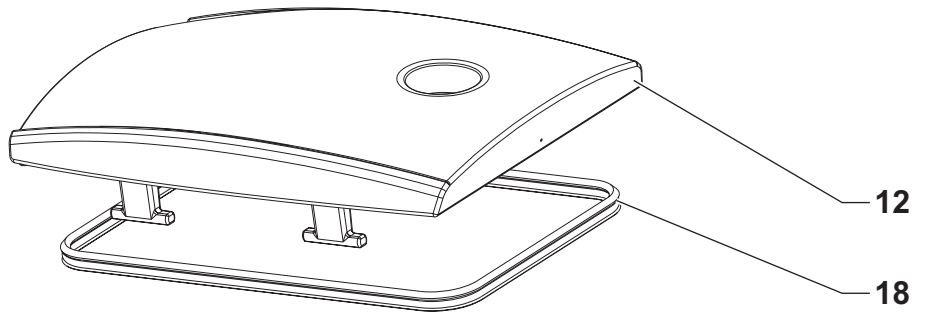
SOLUTION TANK (1 of 2)



SOLUTION TANK

KIT	ITEM	REF. NO.	QTY	DESCRIPTION	DESCRIZIONE
K2	1		1	SCREW 5X35 SELF THD TAPPING AW20 BLACK	VITE 5X35 AUTOF. FLANG. AW20 NERA
K2	2		8	TIE CABLE 4.8x200 BLACK	FASCETTA NYLON 4.8x200 NERA
K2	3		1	WASHER 6X18X1.5 UNI6593 SS	UNI6593 6X18X1.5 ROND GREMB INOX
K2	4		2	SCREW CYL HD 5X20 SELF L. PLASTOFAST	VITE AUTOF TC+ 5X20 PLASTOFAST
K1	5		4	SCREW CYL HD 5X25 SELF L. PLASTOFAST	VITE AUTOF TC+ 5X25 PLASTOFAST
K2	6		1	CAP BLACK	TAPPO NERO TIPO KMRP 625/800
K2	7		8	HOLDER.FLAT TIE	BASSETTA PORTA-FASCETTA c.FTH-14R-01
	8	9100000803	1	VALVE ELBOW PKD	RUBINETTO A GOMITO PVC P.TUBO D.13 PKD
K2	9		2	SCREW 3.9X22 UNI6955 SS	VITE AUTOF TPS+ 3.9X22 INOX
	10	9100000574	2	FITTING STRAIGHT G1/2 D.20 KIT	KIT RACCORDO DRITTO G1/2 D.20
K2	11		13	SCREW CYL HD 5X16 SELF L. PLASTOFAST	VITE AUTOF TC+ 5X16 PLASTOFAST
	12	9098446000	1	HOSE SOLUTION	TUBO ACQUA PULITA
	13	909 6380 000	1	CLAMP KIT	KIT FASCETTA
	14	9100000899	1	FILTER WATER INLET PKD	FILTRO INGRESSO ACQUA PKD
	15	9100000804	1	TANK SOLUTION 40 LT GREY PKD	SERBATOIO SOLUZIONE 40 LT GRIGIO PKD
	16	9100000805	1	ACTUATOR LINEAR 24V DC STRK 120MM PKD	ATTUATORE LIN.24V CC C. 120MM PKD
K1	17		4	PLATE FOR JACK MOTOR RETAINER	PIASTRINA RITEGNO MARTINETTO
K1	18		1	PIN CYLINDR. D.8X140 ISO2338 NO TEMPERED	SPINA CILINDRICA D.8X140 ISO2338 NO TEMP
	19	9100000807	1	BOX F CHARGER CABLE PKD	CONTENITORE CAVO CARICABATTERIE PKD
	20	9100000808	1	RUBBER SOLUTION CAP PKD	TAPPO IN GOMMA PKD
K1	21		2	BEARING CYLINDRICAL IGUS GSM-0809-12	CUSCINETTO CILINDRICO IGUS GSM-0809-12
	22	9100000809	1	COVER CHEMICAL MIX PUMP PKD	COPERCHIO POMPA DETERG. CHIMICO PKD
K3	23		1	CABLE SAFETY F TANK	CAVO DI SICUREZZA SERBATOIO
	24*	9100000703	1	HOSE FILLING PKD	TUBO RIEMPIMENTO SERBATOIO SOLUZ. PKD
K2	25		2	WASHER M4 UNI6592 SS	UNI6592 M4X9 ROND. PIANA INOX
K3	26		1	SCREW CYL HD 5X16 SELF L. PLASTOFAST	VITE AUTOF TC+ 5X16 PLASTOFAST
K3	27		1	SCREW M5X16 UNI7687 SS	UNI7687 M5X16 VITE TC+ INOX
	[K1]	9100000737	1	ACTUATOR FIXING KIT	KIT FISSAGGIO ATTUATORE
	[K2]	9100000738	1	HARDWARE SOLUTION TANK KIT	KIT VITERIA SERBATOIO SOLUZIONE
	[K3]	9100000794	1	CABLE SAFETY F TANK KIT	KIT CAVO DI SICUREZZA SERBATOIO

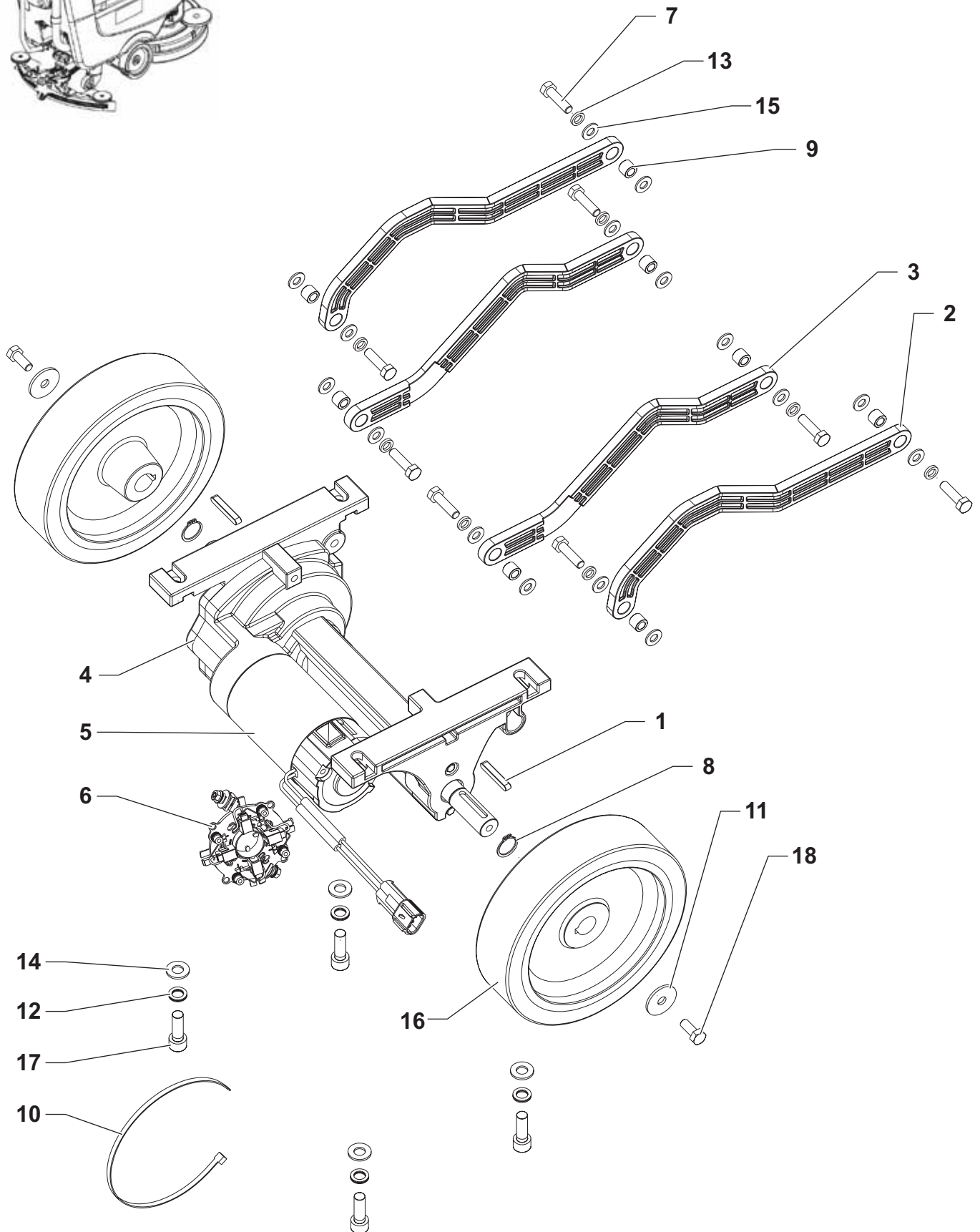
RECOVERY TANK



RECOVERY TANK

KIT	ITEM	REF. NO.	QTY	DESCRIPTION	DESCRIZIONE
K4	1	145 0543 000	1	CLAMP 14/32-52	FASCETTA 14/ 32- 52 SERFLEX
K4	2		9	SCREW M5X12 UNI7687	UNI7687 M5X12 VITE TC+ 8.8 ZNB
K1	3		2	SCREW M6X16 UNI7687 SS	UNI7687 M6X16 VITE TC+ INOX
K1	4	9100000928	1	GASKET FLOAT SUPPORT PKD	GUARNIZIONE PORTA GALLEGGIANTE PKD
K4	5		2	NUT JAW M6X6 INOX SS	WURTH932040520 M6X6 DADO A GRIFFE INOX
K1	6		1	CAGE FLOAT	PORTA GALLEGGIANTE
K2	7		1	TRAY DEBRIS	CONTENITORE RACCOLTA DETRITI
K2	8		1	COVER DEBRIS TRAY	COPERCHIO CONTENITORE DETRITI
	9	9100000812	1	HOSE DRAIN BLACK PKD	TUBO SCARICO ACQUA NERO PKD
	10	9100000889	1	CLIP HOSE STOPPING 2 PCS SET	CLIP FERMATUBO SET 2 PZ
	11	9100000813	1	TANK RECOVERY 40 LT GREY PKD	SERBATOIO RECUPERO 40 LT GRIGIO PKD
	12	9100000814	1	COVER TANK GREY PKD	COPERCHIO SERBATOIO GRIGIO PKD
	13	9100000815	1	COVER F VACUUM MOTOR SOUNDPR. PKD	COPERTURA PER INSONORIZZ. MOT. ASP. PKD
	14	9100000816	1	HOSE SUCTION BLACK PKD	TUBO ASPIRAZIONE NERO PKD
	15	9100000904	1	MOTOR VACUUM 24V 280W CPL KIT	KIT MOTORE ASPIRATORE 24V 280W CPL
	15*	9100000491	1	HIGH POWER VACUUM MOTOR 24V 450W KIT	KIT MOTORE ASPIRATORE 24V 450W POTENZ.
		9100000753	1	INSTRUCTIONS INSTALL. KIT 9100000491	ISTRUZIONI MONTAGGIO KIT 9100000491
	16	9100000817	1	BALL FLOATING PKD	GALLEGGIANTE PKD
	17	9100000818	1	CAGE FLOAT HALF 2 PCS SET	CONTENITORE GALLEGGI. META' SET 2 PZ
	18	9100000819	1	GASKET BULB RUBBER L.1670MM PKD	GUARNIZ. A BULBO IN GOMMA -MATASSA PKD
K1	19		2	WASHER 6X18X1.5 UNI6593 SS	UNI6593 6X18X1.5 ROND GREMB INOX
K4	20		1	CLAMP CABLE BLACK	FASCETTA STRINGICAVO c.304100
	21	9100000820	1	HARNESS VACUUM MOTOR PKD	CABLAGGIO MOTORE ASPIRATORE PKD
K4	22		4	SCREW CYL HD 5X20 SELF L. PLASTOFAST	VITE AUTOF TC+ 5X20 PLASTOFAST
	23	9100000821	1	SUPPORT EXT. INSULATION VAC. MOTOR PKD	SUPPORTO EST. INSONORIZZ. MOT. ASP. PKD
K4	24		1	TIE CABLE 4.8x200 BLACK	FASCETTA NYLON 4.8x200 NERA
K3	25		1	O-RING 2.5X109 EPDM	O-RING 2.5X109 EPDM
	26	9100000822	1	SUPPORT INT. INSULATION VAC. MOTOR PKD	SUPPORTO INT. INSONORIZZ. MOT. ASP. PKD
K3	27		1	GASKET COLLECTOR	GUARNIZIONE COLLETTORE
K3	28		1	RUBBER SEALING DOMEL UPPER	GUARNIZIONE SUP. IN GOMMA
	29	9100000823	1	MOTOR VACUUM 24V 280W PKD	MOTORE ASPIRATORE 24V 280W PKD
	30	9100000824	1	SUPP. UPPER F VAC. MOTOR SOUNDPR. PKD	SUPPORTO SUP. INSONORIZZ. MOT. ASP. PKD
K3	31		1	MOTOR GASKET LOWER DOMEL	GUARNIZIONE INFERIORE MOTORE
K3	32		1	GASKET VACUUM MOTOR	GUARNIZIONE MOTORE ASPIRATORE
	33*	909 5065 000	1	FILTER ANTIFOAMING	FILTRO ANTISCHIUMA CON ELASTICO
	[K1]	9099767000	1	SUPPORT FLOAT KIT	SUPPORTO FLOAT KIT
	[K2]*	9100000795	1	TRAY DEBRIS KIT	KIT CONTENITORE RACCOLTA DETRITI
	[K3]	9100000739	1	GASKETS VACUUM MOTOR KIT	KIT GUARNIZIONI MOTORE ASP.
	[K4]	9100000740	1	HARDWARE RECOVERY TANK KIT	KIT VITERIA SERBATOIO RECUPERO

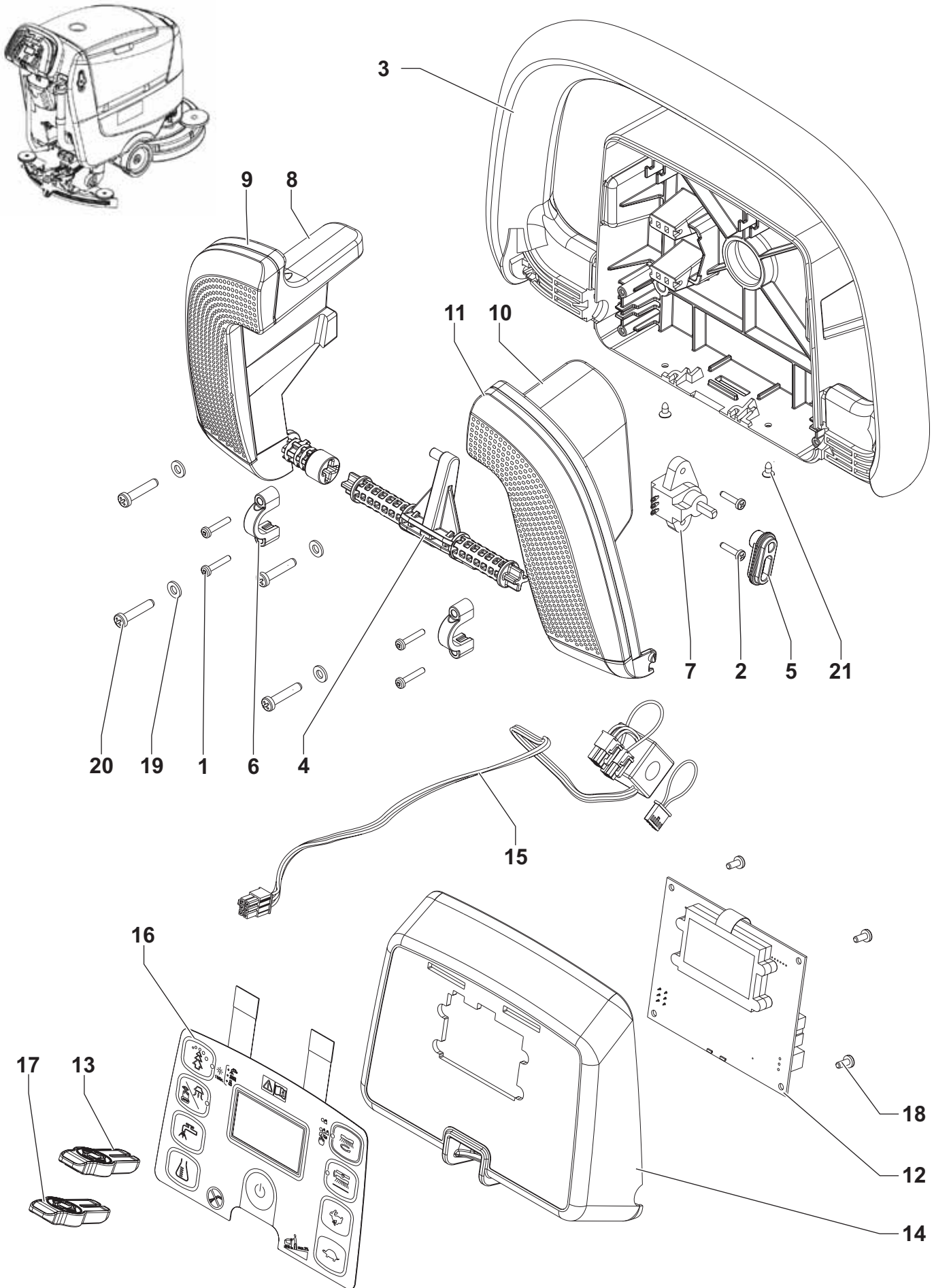
MOTOR DRIVE



MOTOR DRIVE

KIT	ITEM	REF. NO.	QTY	DESCRIPTION	DESCRIZIONE
K1	1	146 0769 000	2	KEY 6X6X40 UNI6604A	UNI6604A 6X6X40 LINGUETTA FORMA A
	2	9100000825	1	LEVER EXT. FOR DECK LIFTING 2 PCS SET	LEVA ESTERNA SOLLEVAM. TESTATA SET 2 PZ
	3	9100000826	1	LEVER INT. FOR DECK LIFTING 2 PCS SET	LEVA INTERNA SOLLEVAM. TESTATA SET 2 PZ
	4	9100000827	1	MOTOR DRIVE 200W 24V PKD	MOTODIFFERENZIALE 200W 24V -AMER- PKD
	5	9100000828	1	MOTOR ELECTRIC 200W 24V PKD	MOTORE ELETTRICO 200W 24V PKD
	6	9100000920	1	CARBON BRUSHES W/HOLDER KIT	KIT CARBONCINI CON CALOTTA
K1	7		8	SCREW M8X30 UNI5739	UNI5739 M8X30 VITE TE TF 8.8 ZNB
K1	8		2	RING D 20 UNI7435	UNI7435 D 20 SEEGER PER ALBERO BRN
K1	9		8	SPACER 8.1X13X10.3	DISTANZIALE 8.1X13X10.3
K1	10		1	TIE CABLE 4.8X430 WHITE	FASCETTA NYLON 4.8X430 BIANCO
K1	11		2	WASHER 8.5X32X2 SS	WURTH0932040340 8.5X32X2 ROND INOX
K1	12		4	WASHER NORD LOCK M10	ROND ZIGRINATA NORD LOCK M10
K1	13		8	WASHER NORD LOCK M8	DIN25201 M8 RONDELLA ZIGR. NORD LOCK
K1	14		4	WASHER M10 UNI6592	UNI6592 M10 ROND PIANA ZNB
K1	15		6	WASHER M8 UNI6592	UNI6592 M8 ROND PIANA ZNB
	16	9100000830	1	WHEEL D.200X50 GREY-BLACK 2 PCS SET	RUOTA D.200X50 GRIGIO-NERO SET 2 PZ
K1	17		4	SCREW M10X30 UNI5931	UNI5931 M10X30 VITE TCEI 8.8 ZNB
K1	18		2	SCREW M8X20 UNI5739 SS	UNI5739 M8X20 VITE TE TF INOX
	[K1]	9100000742	1	HARDWARE DRIVE MOTOR KIT	KIT VITERIA MOTODIFFERENZIALE NIL

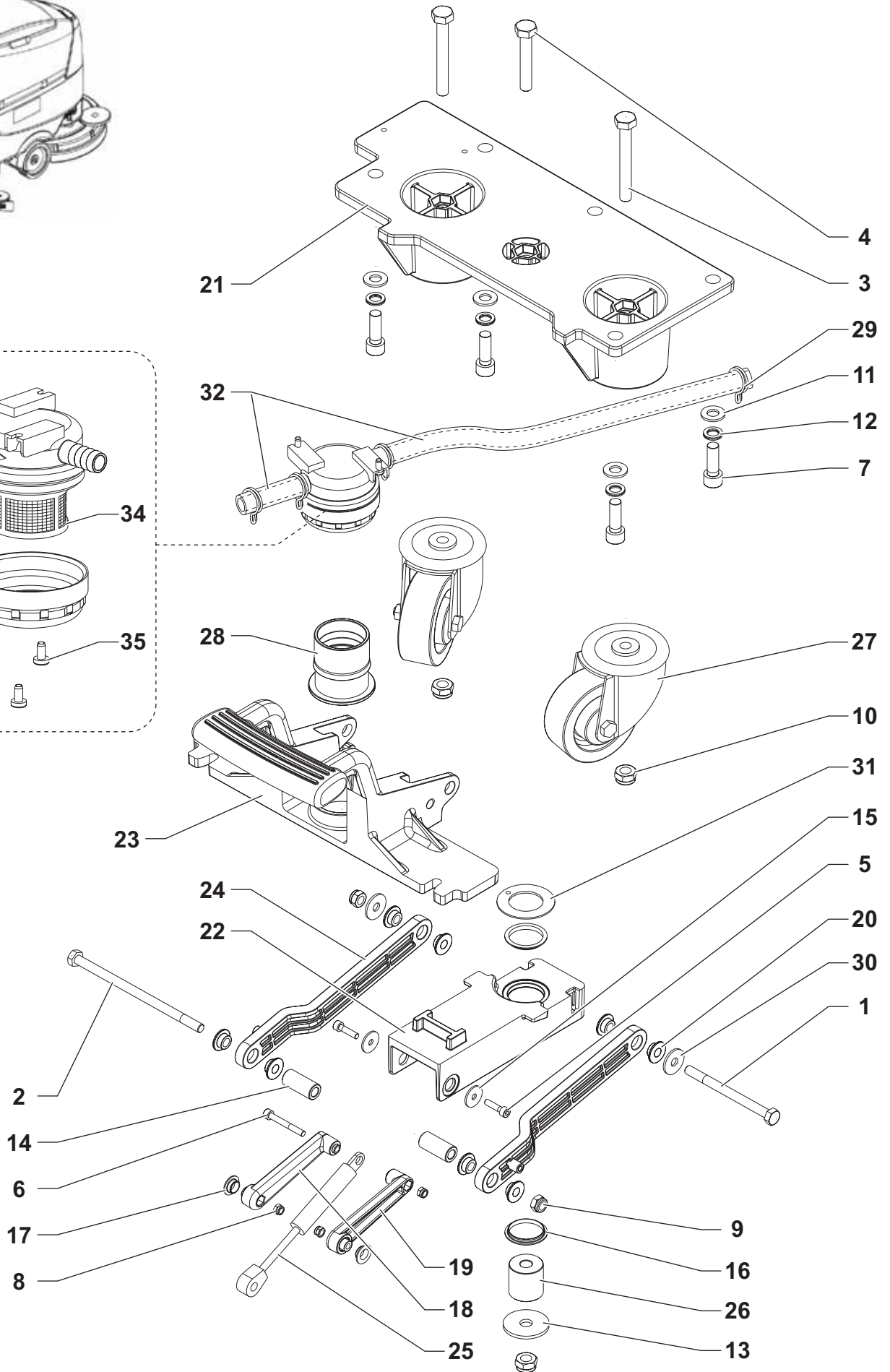
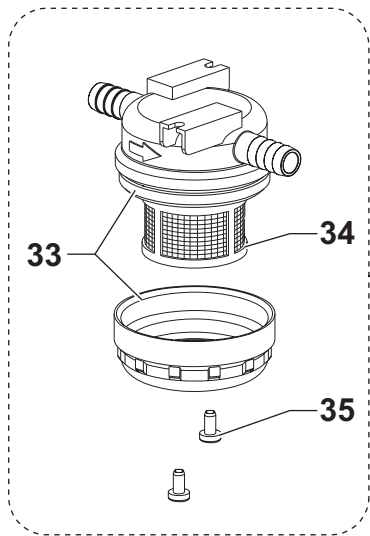
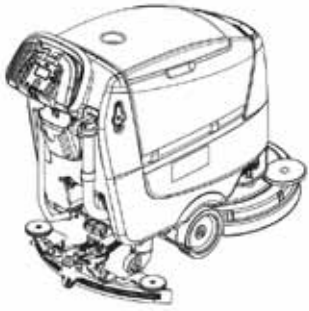
PADDLE AND DASHBOARD



PADDLE AND DASHBOARD

KIT	ITEM	REF. NO.	QTY	DESCRIPTION	DESCRIZIONE
K1	1		4	SCREW TORX T20	VITE TORX T20
K1	2		2	SCREW 4.2X19 SELF THD HEX HD ISO10510	VITE 4.2X19 AUTOF. TE ISO10510
	3	9100000835	1	HANDLE BAR PKD	MANIGLIONE COMANDO PKD
	4	9100000836	1	SHAFT LEVERS CONNECTION PKD	ALBERO CONNESSIONE LEVE PKD
K1	5		1	ROD POTENTIOMETER	BIELLA POTENZIOMETRO
K1	6		2	SUPPORT F LEVER CONNECTION SHAFT	SUPPORTO ALBERO CONNESSIONE LEVE
	7	9100000837	1	POTENTIOMETER 5K PKD	POTENZIOMETRO 5K PKD
	8	9100000838	1	LEVER LT DRIVING PKD	LEVA COMANDO SX PKD
	9	9100000839	1	CASING F LEFT LEVER PKD	CUFFIA LEVA SX PKD
	10	9100000840	1	LEVER RT DRIVING PKD	LEVA COMANDO DX PKD
	11	9100000841	1	CASING F RIGHT LEVER PKD	CUFFIA LEVA DX PKD
	12	9100000842	1	CARD DISPLAY PKD	SCHEDA DISPLAY PKD
	13*	9100000843	1	KEY OPERATOR COMPLETE PKD	CHIAVE OPERATORE COMPLETA PKD
	14	9100000844	1	COVER HANDLE BAR PKD	COPERCHIO MANIGLIONE PKD
	15	9100000845	1	HARNESS CONTROL PANEL PKD	CABLAGGIO PLANCIA PKD
	16	9100000846	1	DASHBOARD CONTROL PANEL PKD	SERIGRAFIA PLANCIA A MEMB. 53B/20B PKD
	17*	9100000848	1	KEY SERVICE COMPLETE PKD	CHIAVE DI SERVIZIO COMPLETA PKD
K1	18		4	SCREW 3.9X9.5 THD FORM	WURTH0932040379 3.9X9.5 VITE AUTOF TC PZ
K1	19		4	WASHER M6 UNI6592	UNI6592 M6 ROND PIANA ZNB
K1	20		4	SCREW CYL HD 6X30 SELF L.PLAST	VITE AUTOF TC+ 6X30 S/PUN PLASTOFAST
K1	21		2	SCREW 3.9X9.5 UNI6955	UNI6955 3.9X9.5 VITE AUTOF TPS+ ZNB
	[K1]	9100000745	1	PADDLE AND DASHBOARD FIXING KIT	KIT FISSAGGIO MANIGLIONE E PLANCIA

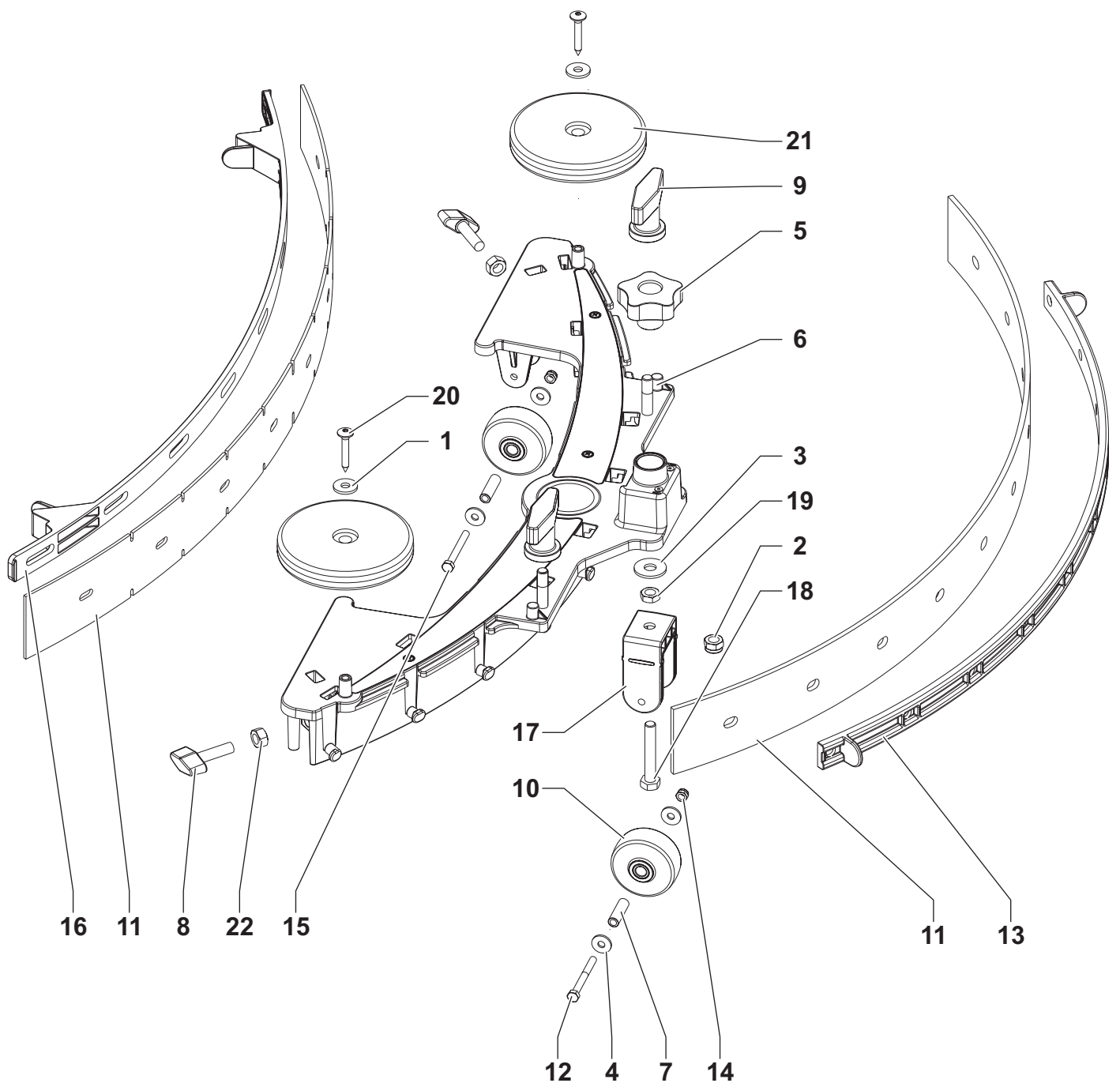
REAR WHEELS



REAR WHEELS

KIT	ITEM	REF. NO.	QTY	DESCRIPTION	DESCRIZIONE
K1	1		1	SCREW M8X100 UNI5737	UNI5737 M8X100 VITE TE PF 8.8 ZNB
K1	2		1	SCREW M8X140 HEX HD ISO4014	VITE M8X140 TE ISO4014
K1	3		2	SCREW M10X80 UNI5739	UNI5739 M10X80 VITE TE TF 8.8 ZNB
K1	4		1	SCREW M10X60 UNI5739	UNI5739 M10X60 VITE TE TF 8.8 ZNB
K1	5		2	SCREW M5X20 UNI5931	UNI5931 M5X20 VITE TCEI 8.8 ZNB
K1	6		1	SCREW M5X40 UNI5931	UNI5931 M5X40 VITE TCEI 8.8 ZNB
K1	7		4	SCREW M10X30 UNI5931	UNI5931 M10X30 VITE TCEI 8.8 ZNB
K1	8		3	NUT SELF L. M5 UNI7474	UNI7474 M5 DADO AUTOB BASSO 6S
K1	9		2	NUT SELF L. M8 UNI7474	UNI7474 M8 DADO AUTOB BASSO 6S
K1	10		3	NUT SELF L. M10 UNI7474	UNI7474 M10 DADO AUTOB BASSO 6
K1	11		4	WASHER M10 UNI6592	UNI6592 M10 ROND PIANA ZNB
K1	12		4	WASHER NORD LOCK M10	ROND ZIGRINATA NORD LOCK M10
K1	13		1	WASHER 10X40X2.5 UNI6593	UNI6593 10X40X2.5 ROND GREMB ZNB
K1	14		2	SPACER 8.5X15X33	DISTANZIALE 8.5X15X33
K1	15		2	WASHER 5X20X1.5 UNI6593	UNI6593 5X20X1.5 ROND GREMB ZNB
K1	16	9100000902	2	BEARING FLANGE IGLIDUR 2 PCS SET	BOCCOLA FLANGIATA IGLIDUR SET 2 PZ
K1	17		2	BEARING FLANGED	CUSCINETTO FLANGIATO
	18	9100000849	1	LEVER GAS SPRING LEFT PKD	LEVA RINVIO MOLLA GAS SINISTRA PKD
	19	9100000850	1	LEVER GAS SPRING RIGHT PKD	LEVA RINVIO MOLLA A GAS DESTRA PKD
K1	20		8	BUSHING FLANGED	BOCCOLA CON FLANGIA
	21	9100000851	1	SUPPORT REAR WHEELS-SQUEEGEE PKD	SUPPORTO RUOTE POST.-TERGITORE PKD
	22	9100000852	1	SUPPORT UPPER F SQUEEGEE PKD	SUPPORTO SUPERIORE TERGITORE PKD
	23	9100000853	1	SUPPORT LOWER F SQUEEGEE PKD	SUPPORTO INFERIORE TERGITORE PKD
	24	9100000854	1	LEVER SQUEEGEE LIFT 2 PCS SET	LEVA SOLLEVAMENTO TERGITORE SET 2 PZ
	25	9100000855	1	SPRING GAS 30 KG PKD	MOLLA A GAS 30 KG PKD
K1	26		1	SPACER 10.5X30X30.3	DISTANZIALE 10.5X30X30.3
	27	9100000856	1	WHEEL PIVOTING 2 PCS SET	RUOTA PIVOETTANTE D.80 SET 2 PZ
	28	9100000857	1	SLEEVE SUCTION HOSE PKD	MANICOTTO TUBO ASPIRAZIONE PKD
K1	29		4	CLAMP DOUBLE WIRE SPRING D.18	FASCETTA ELASTICA DOPPIO FILO D.18
K1	30		2	WASHER 8X24X2 FLAT ISO7093	RONDELLA 8X24X2 PIANA ISO7093
K1	31	9100000903	1	WASHER THRUST GTM 3254-015 PKD	RALLA IGLIDUR GTM-3254-015 PKD
	32	9100000796	1	HOSES SOLUTION SYSTEM KIT	KIT TUBI SISTEMA SOLUZIONE
	33	9100000860	1	FILTER WATER PKD	FILTRO ACQUA PKD
	34	9100000861	1	NET WATER FILTER REINFORCED PKD	RETE FILTRO ACQUA RINFORZATA PKD
K1	35		2	SCREW M5X10 DIN7500	VITE AUTOFORMANTE TC+ 5X10 ZNB
	[K1]	9100000746	1	SUPPORT SQUEEGEE FIXING KIT	KIT FISSAGGIO SUPPORTO TERGITORE

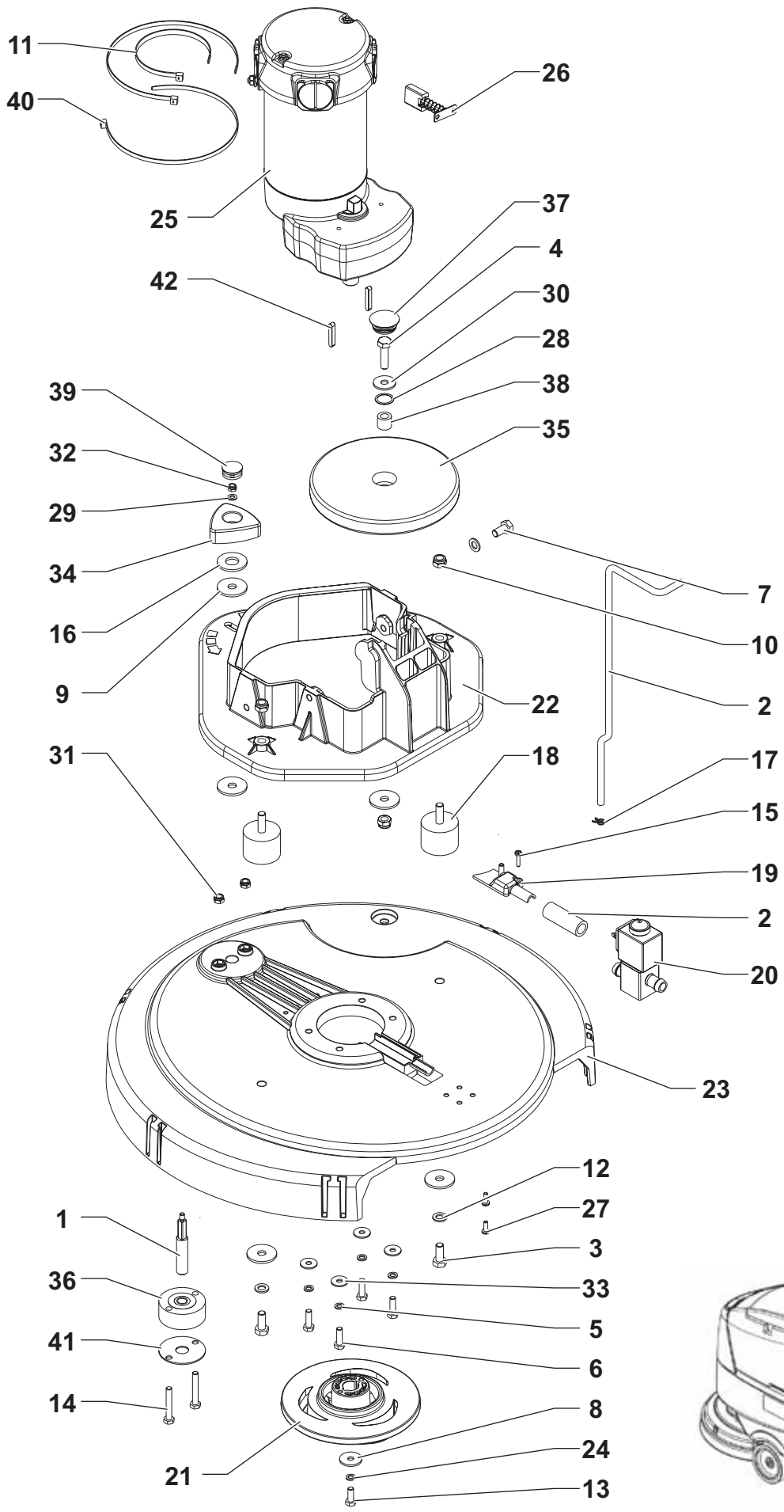
SQUEEGEE SYSTEM



SQUEEGEE SYSTEM

KIT	ITEM	REF. NO.	QTY	DESCRIPTION	DESCRIZIONE
K1	1		2	WASHER 6X18X1.5 UNI6593 SS	UNI6593 6X18X1.5 ROND GREMB INOX
K1	2		1	NUT SELFLOCKING LOW M8 UNI7474 SS	UNI7474 M8 DADO AUTOB BASSO INOX
K1	3		1	WASHER 8X24 UNI6592 SS	UNI6592 8X24 ROND PIANA INOX
K1	4		6	WASHER 5X15X1.2 UNI6593 SS	UNI6593 5X15X1.2 ROND GREMB INOX
	5	9100000862	1	KNOB LOBES M8 FEMALE PKD	VOLANTINO A LOBI M8 FEMMINA PKD
	6	9100000747	1	SQUEEGEE 730MM/29 PRE-ASSEMBLED PKD	TERGITORE 730MM/29 PRE-ASSEMBLATO PKD
K1	7		3	SPACER 5.1X8X28.5 PLASTIC	DISTANZIALE 5.1X8X28.5 PLASTICA
	8	9100000791	2	KNOB M8X30 THD STUD SS PKD	VOLANTINO M8X30 PERNO FILET. INOX PKD
	9	9097637000	1	SQUEEGEE FIXING KIT	KIT FISSAGGIO TERGITORE
	10	9100000559	3	WHEEL D.51 GREY PKD	RUOTA D.51 GRIGIA PKD
	11*	9100000810	1	BLADE SQUEEGEE 740MM 29 GUM KIT	KIT GOMME TERGITORE ANTITR. 730MM/29
	11*	9100000490	1	BLADE SQUEEGEE 730MM 29 PU KIT	KIT GOMME TERGITORE PU 730MM/29
	11*	9100000060	1	BLADE SQUEEGEE 730MM 29 RED GUM KIT	KIT GOMME TERG. ANTITRN 730MM/29 ROSS
K1	12		1	SCREW M5X50 UNI5737 SS	UNI5737 M5X50 VITE TE PF INOX
	13	9100000864	1	STRAP ELASTIC F REAR SQUEEGEE BL. PKD	BANDELLA ELASTICA GOMMA TERGI P. PKD
K1	14		3	NUT SELFLOCKING LOW M5 UNI7474 SS	UNI7474 M5 DADO AUTOB BASSO INOX
K1	15		2	SCREW M5X45 UNI5737 SS	UNI5737 M5X45 VITE TE PF INOX
	16	9100000865	1	STRAP FRONT SQUEEGEE BLADE PKD	BANDELLA GOMMA TERGI ANT. PKD
	17	9100000866	1	SUPPORT SQUEEGEE WHEEL PKD	SUPPORTO RUOTA TERGITORE PKD
K1	18		1	SCREW M8X50 HEX HD F/THD SS ISO4017	VITE M8X50 TE TF INOX ISO4017
K1	19		1	NUT HEX M8 ISO4035 SS	DADO ES BASSO M8 ISO4035 INOX
K1	20		2	SCREW 5X35 SELF THD TAPPING AW20 BLACK	VITE 5X35 AUTOF. FLANG. AW20 NERA
	21	9100000867	1	GUIDE WHEEL 2 PCS SET	RUOTA DI PROTEZIONE SET 2 PZ
K1	22		2	NUT HEX M8 UNI5588 SS	UNI5588 M8 DADO ES INOX
	[K1]	9100000748	1	HARDWARE SQUEEGEE KIT	KIT VITERIA TERGITORE

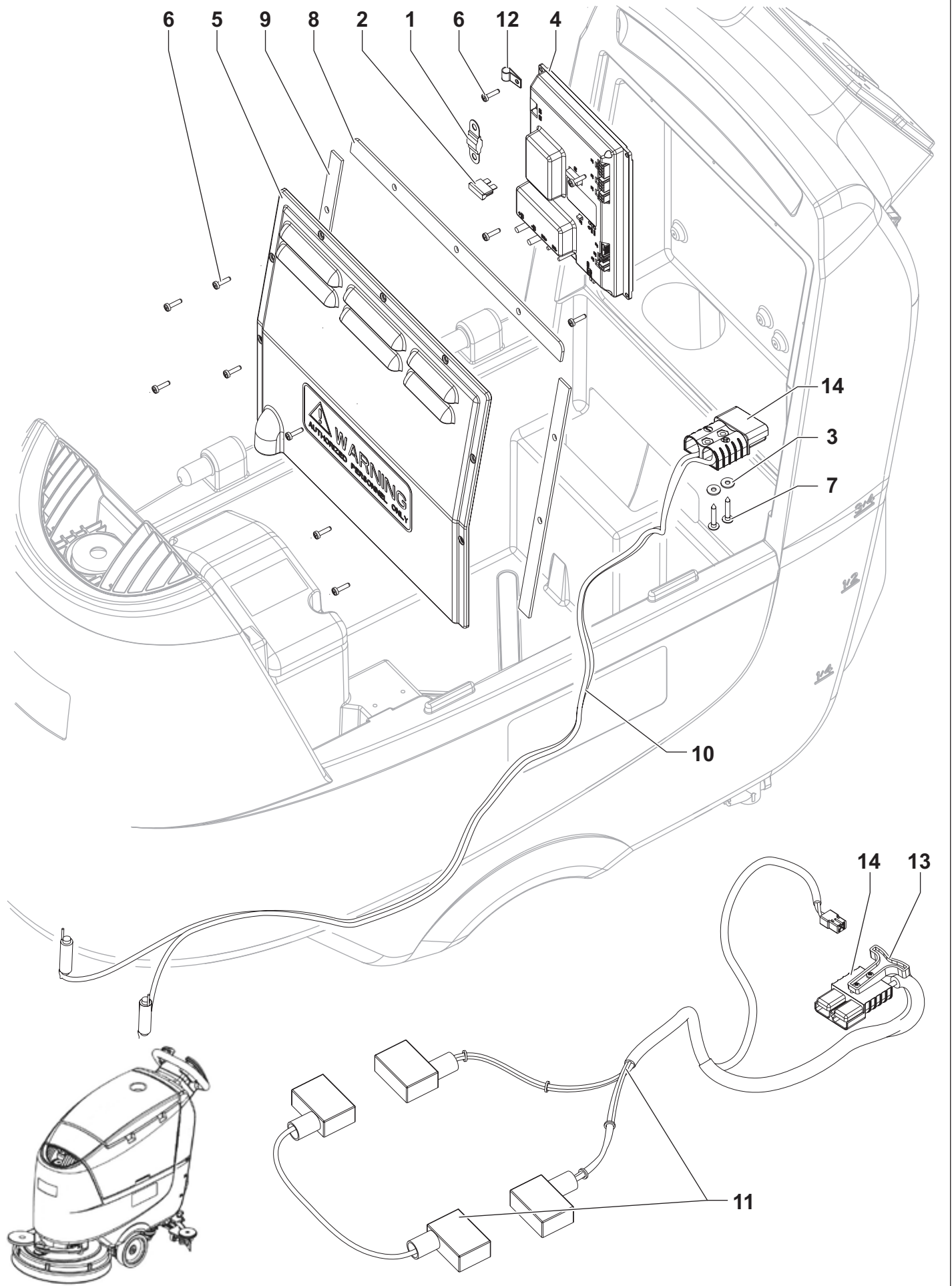
DISC DECK



DISC DECK

KIT	ITEM	REF. NO.	QTY	DESCRIPTION	DESCRIZIONE
K2	1		1	PIN PLATE FIXING	PERNO FISSAGGIO PIASTRA P. SPAZZOLA
	2	9100000797	1	HOSES BRUSH DECK KIT	KIT TUBI TESTATA SPAZZOLA
K3	3		2	SCREW M8X20 UNI5739 SS	UNI5739 M8X20 VITE TE TF INOX
K1	4		1	SCREW M8X30 UNI5739	UNI5739 M8X30 VITE TE TF 8.8 ZNB
K3	5		5	WASHER M6 UNI8842A SS	UNI8842A M6 ROND DENT TIPO A INOX
K3	6		4	SCREW M6X25 UNI5739 SS	UNI5739 M6X25 VITE TE TF INOX
K3	7		3	NUT SELFLOCKING LOW M8 UNI7474 SS	UNI7474 M8 DADO AUTOB BASSO INOX
K3	8		1	WASHER 6.6X24X2 UNI6593 SS	UNI6593 6.6X24X2 ROND GREMB INOX
K2	9		5	WASHER 8.5X32X2 SS	WURTH0932040340 8.5X32X2 ROND INOX
K3	10		1	SCREW M8X16 UNI5739 SS	UNI5739 M8X16 VITE TE TF INOX
K3	11		1	TIE CABLE 4.8x200 BLACK	FASCETTA NYLON 4.8x200 NERA
K3	12		3	WASHER M8 UNI8842A SS	UNI8842A M8 ROND DENT TIPO A INOX
K3	13		1	SCREW M6X16 UNI5739 SS	UNI5739 M6X16 VITE TE TF INOX
K2	14		2	SCREW M6X40 UNI5739 SS	UNI5739 M6X40 VITE TE TF INOX
K3	15		2	SCREW 3.5X16 SELF THD PAN PHIL F PLASTIC	VITE 3.5X16 AUTOF. TCTC S/PUN X PLAST.
K2	16		1	WASHER 10X30X2	ROND GOMMA 10X30X2
K3	17		1	CLAMP 6.6X 7	FASCETTA 6.6 x 7
	18	9100000868	1	VIBRATION DAMPING M8 60SH 2 PCS SET	ANTIVIBRANTE CILINDRICO M8 SET 2 PZ
	19	9100000869	1	COVER SOLUTION HOSE SUPPORT PKD	COPERCHIO SUPP. TUBO SOLUZIONE PKD
	20	9100000870	1	SOLENOID VALVE 24V PKD	ELETTROVALVOLA 24V PKD
	21	9100000871	1	HUB BRUSH PKD	MOZZO SPAZZOLA PKD
	22	9100000872	1	PLATE BRUSH DECK HOLDER PKD	PIASTRA SUPPORTO TESTATA SPAZZOLA PKD
	23	9100000873	1	DECK BRUSH PKD	TESTATA SPAZZOLA PKD
K3	24		1	WASHER NORD LOCK M6 DIN25201	DIN25201 M6 RONDELLA ZIGR. NORD LOCK
	25	9100000874	1	REDUCTION GEARMOTOR 450W 24V PKD	MOTORIDUTTORE 450W 24V PKD
	26	9098376000	1	CARBON BRUSHES KIT 4 PCS	KIT CARBONCINI 4 PZ c. 5000051
K3	27		2	SCREW PAN HD SELF 4x12 SS	VITE TCTC AUTOF. 4x12 INOX
K1	28		1	WASHER 15	ROND ELASTICA ONDULATA 15
K2	29		1	WASHER M5 UNI6592 SS	UNI6592 M5 ROND PIANA INOX
K1	30		1	WASHER 8X24X2 FLAT ISO7093	RONDELLA 8X24X2 PIANA ISO7093
K2	31		2	NUT SELF L. M6 UNI7474 SS	UNI7474 M6 DADO AUTOB BASSO INOX
K2	32		1	NUT SELFLOCKING LOW M5 UNI7474 SS	UNI7474 M5 DADO AUTOB BASSO INOX
K3	33		4	WASHER 6X18X1.5 UNI6593 SS	UNI6593 6X18X1.5 ROND GREMB INOX
K2	34		1	KNOB	VOLANTINO PER PIASTRA SPAZZOLA
K1	35		1	ROLLER BUMPER D.160 BLACK	RUOTA PARACOLPI D.160 NERA
K2	36		1	BUFFER	DISTANZIALE PER PIASTRA PORTA SPAZZOLA
K1	37		1	CAP. BLACK	TAPPO NERO
K1	38		1	SPACER 9X15X13	DISTANZIALE 9X15X13
K2	39		1	CAP FOR KNOB	TAPPO PER VOLANTINO PIASTRA SPAZZOLA
K3	40		2	TIE CABLE 4.8X430 WHITE	FASCETTA NYLON 4.8X430 BIANCO
K2	41		1	PLATE.VIBRATION DAMPING	PIASTRINA PER ANTIVIBRANTE
	42	9100000875	1	KEY 5X5X30 DIN6885 2 PCS SET	CHIAVETTA 5X5X30 DIN6885 SET 2 PZ
	[K1]	909 6887 000	1	ROLLER BUMPER KIT	KIT RULLO PARACOLPI TESTATA SPAZZOLA
	[K2]	9100000750	1	DECK BRUSH ADJUST. KIT	KIT REGOLAZIONE TESTATA SPAZZOLA
	[K3]	9100000751	1	HARDWARE BRUSH DECK KIT	KIT VITERIA TESTATA SPAZZOLA

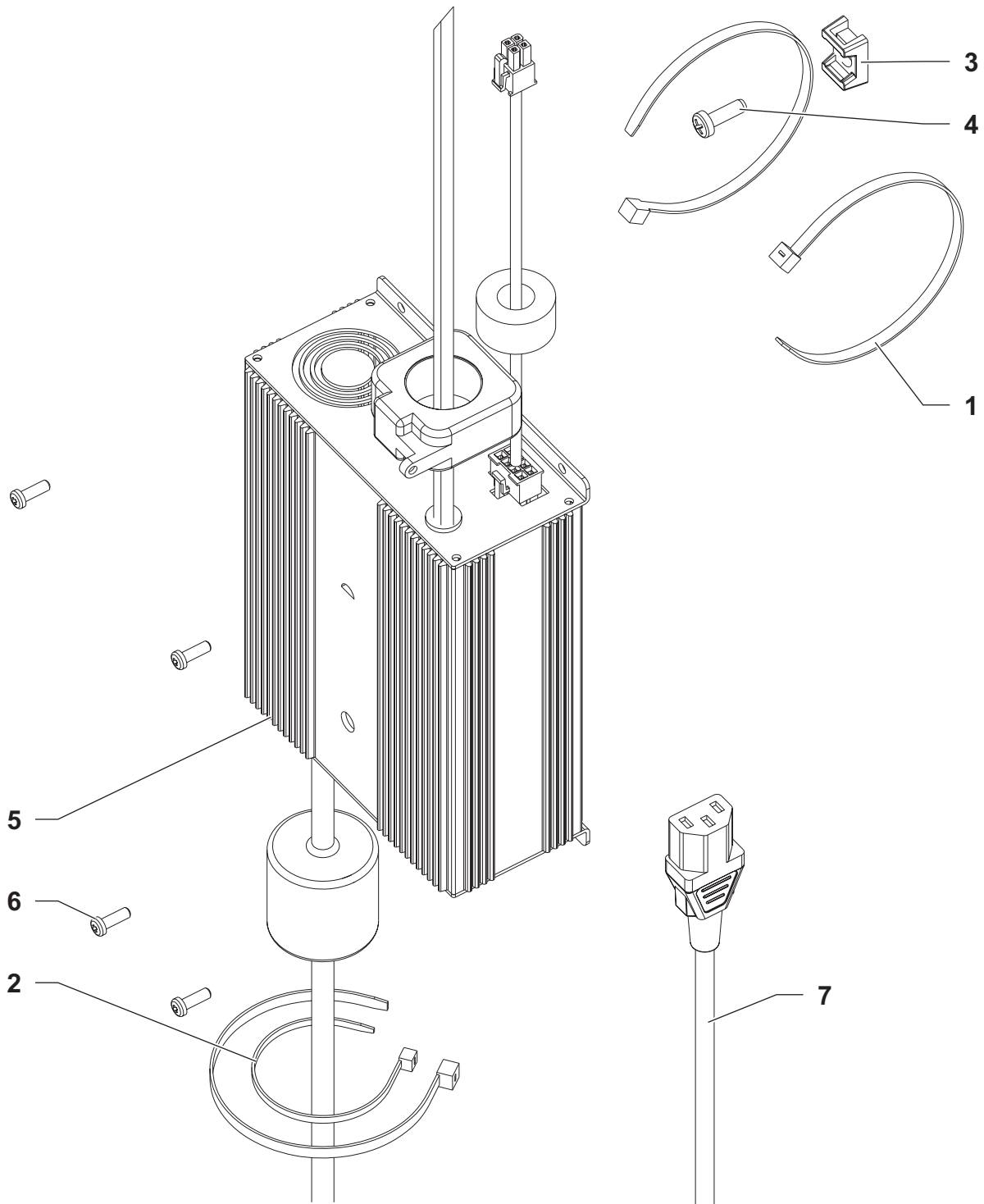
ELECTRICAL COMPONENTS



ELECTRICAL COMPONENTS

KIT	ITEM	REF. NO.	QTY	DESCRIPTION	DESCRIZIONE
	1	9100000877	1	FUSE MIDIFUSE 100A PKD	FUSIBILE 100A TIPO MIDI FUSE PKD
	2	9100000878	1	FUSE BLADE 3A PKD	FUSIBILE A LAMA 3A PKD
K2	3		4	WASHER 5X15X1.5 UNI6593	UNI6593 5X15X1.5 ROND GREMB ZNB
	4	9100000879	1	CONTROLLER MAIN MACHINE PKD	SCHEDE FUNZIONI PKD
	5	9100000880	1	COVER BOX ELECTRIC COMP. PKD	COPERCHIO VANO COMP.ELETTRICI PKD
K2	6		11	SCREW CYL HD 4X16 SELF L. PLAS	VITE AUTOF TC+ 4X16 S/PUN (PLASTOFAST)
K2	7		3	SCREW 5X35 SELF THD TAPPING AW20 BLACK	VITE 5X35 AUTOF. FLANG. AW20 NERA
K1	8		1	GASKET UPPER ELECTRONIC COVER	GUARNIZIONE SUPERIORE COP. ELETTR.
K1	9		2	GASKET SIDE ELECTRONIC COVER	GUARNIZIONE LATERALE COP. ELETTR.
	10	9100000881	1	HARNESS MACHINE SC500 53B/20B PKD	CABLAGGIO MACCHINA SC500 53B/20B PKD
	11	9100000886	1	HARNESS BATTERY EU PKD	CABLAGGIO BATTERIA EU PKD
K2	12		1	CLAMP CABLE BLACK	FASCETTA STRINGICAVO c.304100
	13	9100000885	1	HANDLE FOR BATTERY CONNECTOR PKD	MANIGLIA PER CONNETTORE PKD
	14	9100000884	1	CONNECTOR RED 120A 2 PCS SET	CONNETTORE 120A ROSSO SET 2 PZ
	[K1]	9100000798	1	GASKETS COVER KIT	KIT GUARNIZIONI COPERCHIO
	[K2]	9100000799	1	HARDWARE ELECT. COMPONENTS KIT	KIT VITERIA COMPONENTI ELETTR.

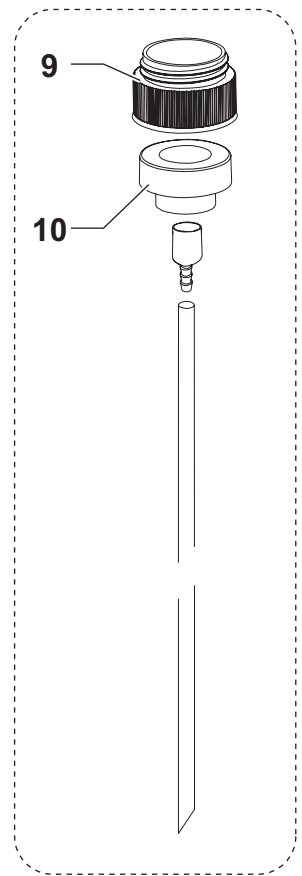
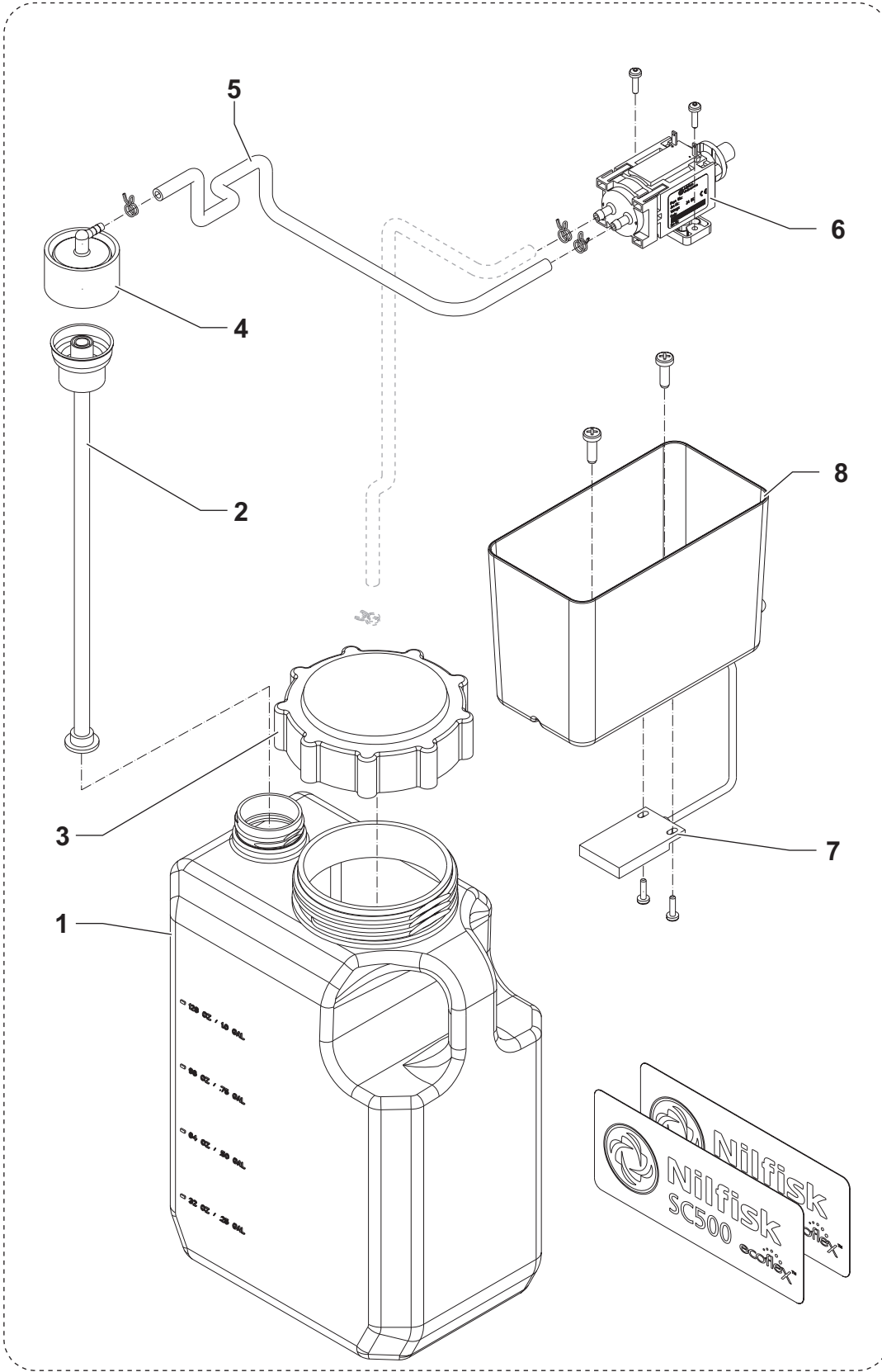
BATTERY CHARGER



BATTERY CHARGER

KIT	ITEM	REF. NO.	QTY	DESCRIPTION	DESCRIZIONE
K1	1		3	TIE CABLE 4.8x200 BLACK	FASCETTA NYLON 4.8x200 NERA
K1	2		1	TIE CABLE 2.9x130 BLACK	FASCETTA NYLON 2.9x130 NERA
K1	3		1	HOLDER.FLAT TIE	BASETTA PORTA-FASCETTA c.FTH-14R-01
K1	4		1	SCREW CYL HD 5X16 SELF L. PLASTOFAST	VITE AUTOF TC+ 5X16 PLASTOFAST
K1	5	9100000888	1	CHARGER BATT. O/B 24V 13A 100-230V PKD	CARICABATT. A BORDO 24V 13A 100-230V PKD
K1	6		4	SCREW 3.5X12	WURTH0138103512 3.5X12 VITE AUTOF TCB PZ
K1	7	9100000787	1	CABLE EXTENSION EU PLUG L.2000 PKD	PROLUNGA CAVO CARICABAT.SPINA EU L.2000
K1	8	9100000829	1	BAND ELASTIC F EXTENSION CABLE PKD	FASCIA ELASTICA CAVO PROLUNGA PKD
	[K1]*	9099995000	1	CHARGER BATT. O/B 24V 13A 100-230V KIT	KIT CARICABATT. A BORDO 24V 13A 100-230V
		9100000924	1	INSTRUCTIONS INSTALL. KIT 9099995000	ISTRUZIONI MONTAGGIO KIT 9099995000

ECOFLEX SYSTEM

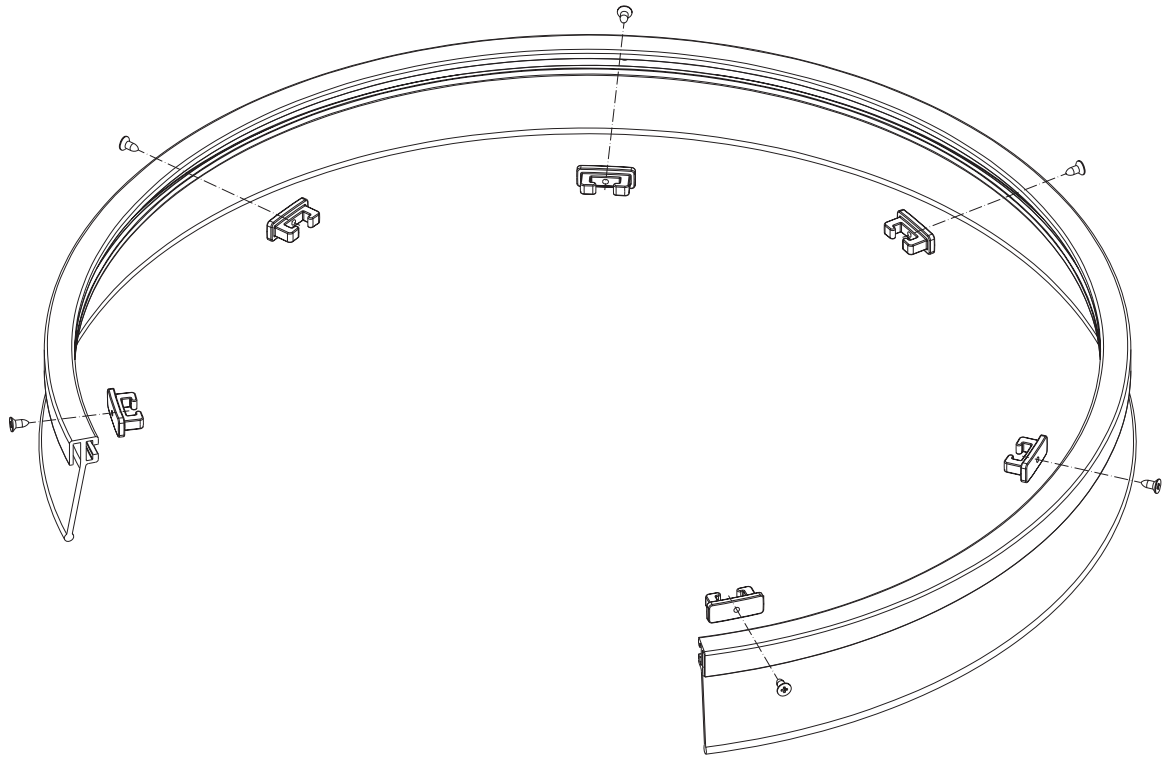


ECOFLEX SYSTEM

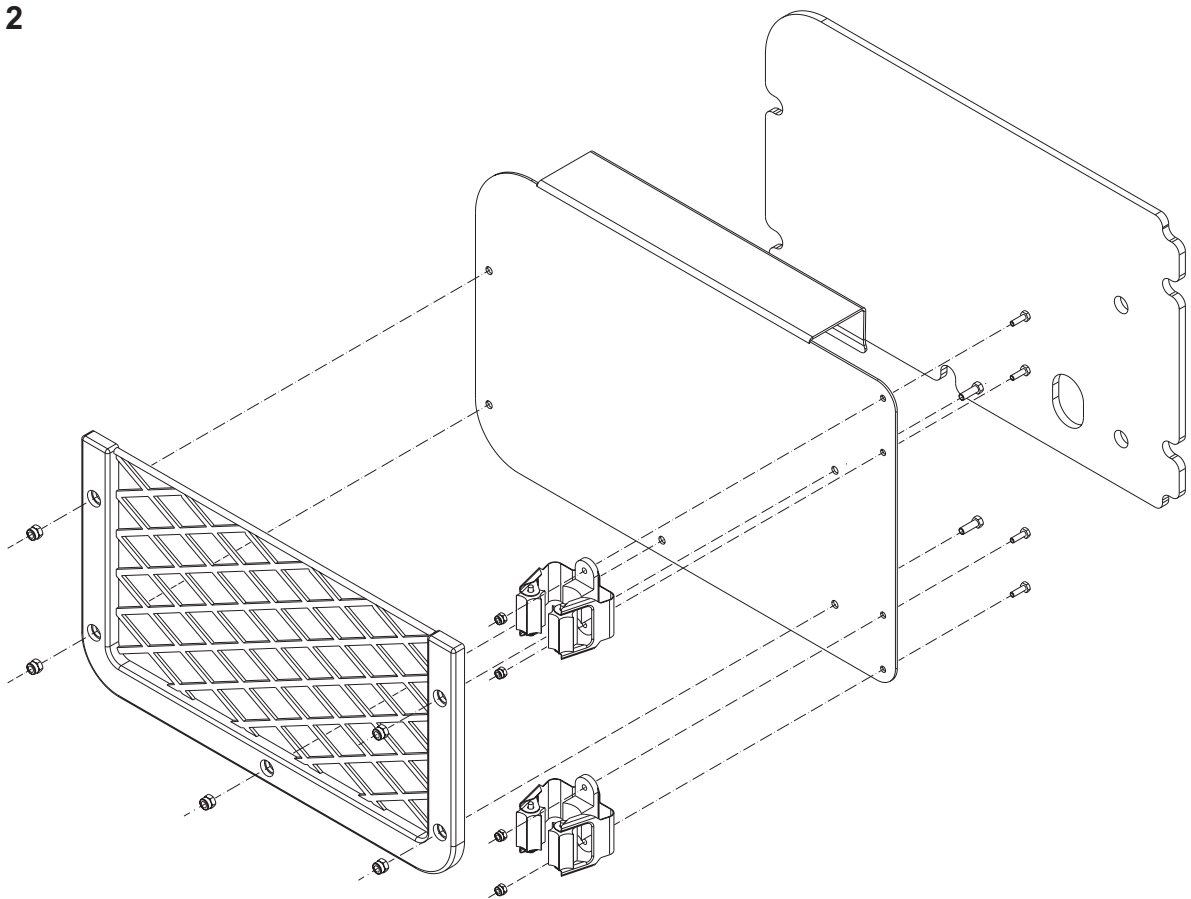
KIT	ITEM	REF. NO.	QTY	DESCRIPTION	DESCRIZIONE
K1	1		1	CHEMICAL TANK	SERBATOIO SOLUZIONE CHIMICA
K1	2		1	INSERT-DRY BRAKE	INSERTO FRENO
K1	3		1	CAP	TAPPO DI CARICO
K1	4		1	CAP DRY BREAK 1/8 BARB	TAPPO
K1	5	9100000891	1	HOSE SILICONE D.4X7 L.300MM PKD	TUBO SILICONE D.4X7 PKD
K1	6	9100000892	1	PUMP CHEMICAL MIX PKD	POMPA DETERGENTE CHIMICO PKD
K1	7	9100000893	1	SENSOR WATER LEVEL PKD	SENSORE LIVELLO ACQUA PKD
K1	8		1	SUPPORT WATER LEVEL SENSOR	SUPPORTO SENSORE LIVELLO ACQUA
	[K1]*	9100000008	1	ECOFLEX CHEMICAL KIT SC500	KIT ECOFLEX SC500
		9100000923	1	INSTRUCTIONS INSTALL. KIT 9100000008	ISTRUZIONI MONTAGGIO KIT 9100000008
K2	9	9097023000	1	ADAPTER CHEMICAL TANK	ADATTATORE CONTENITORE DETERGENTE
K2	10	9097022000	1	SENSOR CHEMICAL MIX LEVEL	SENSORE LIVELLO DETERGENTE
	[K2]*	9098025000	1	ADAPTER CHEMICAL KIT	KIT ADATTATORE DETERGENTE

ACCESSORIES

1



2

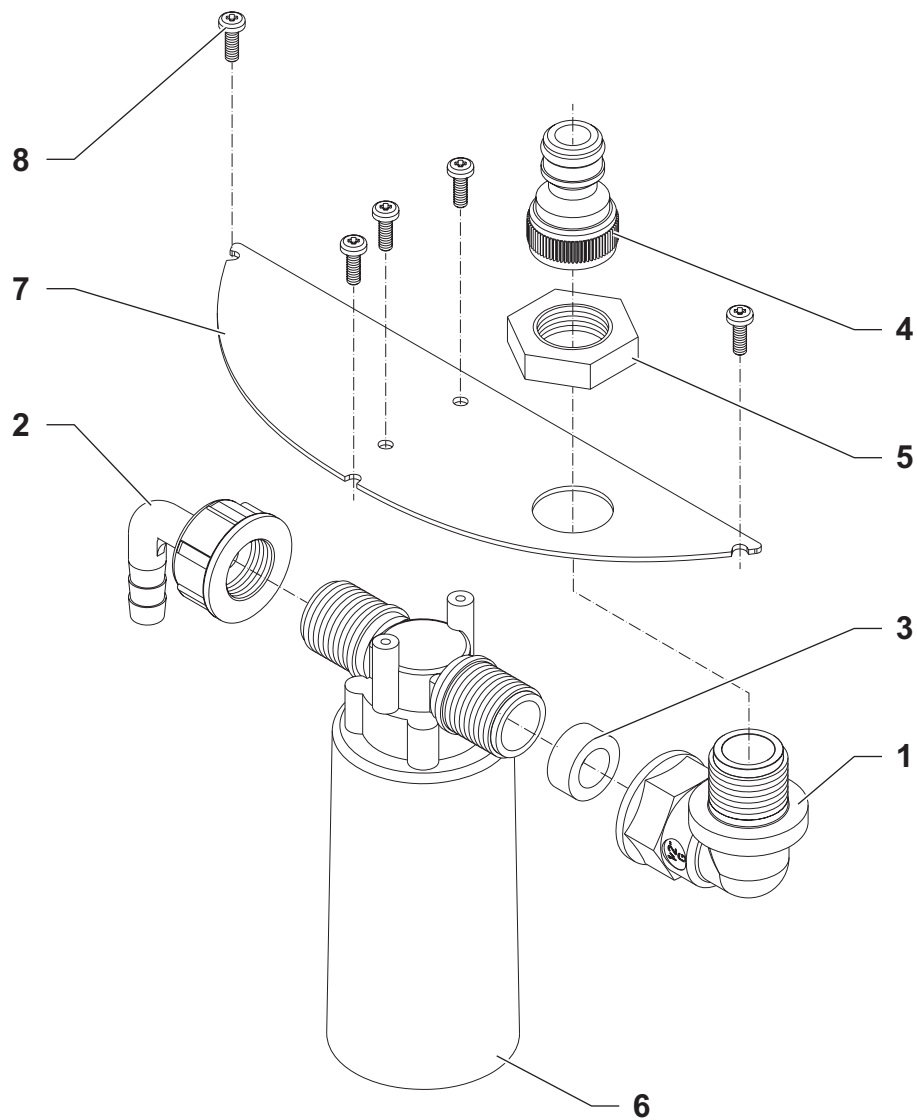


ACCESSORIES

KIT	ITEM	REF. NO.	QTY	DESCRIPTION	DESCRIZIONE
	1*	9099826000	1	SPLASH GUARD 510MM 20 KIT	KIT PARASPRUZZI 510MM 20
	2*	9100000065	1	MOP AND TRASH KIT	KIT SUPPORTO SCOPA

ACCESSORIES

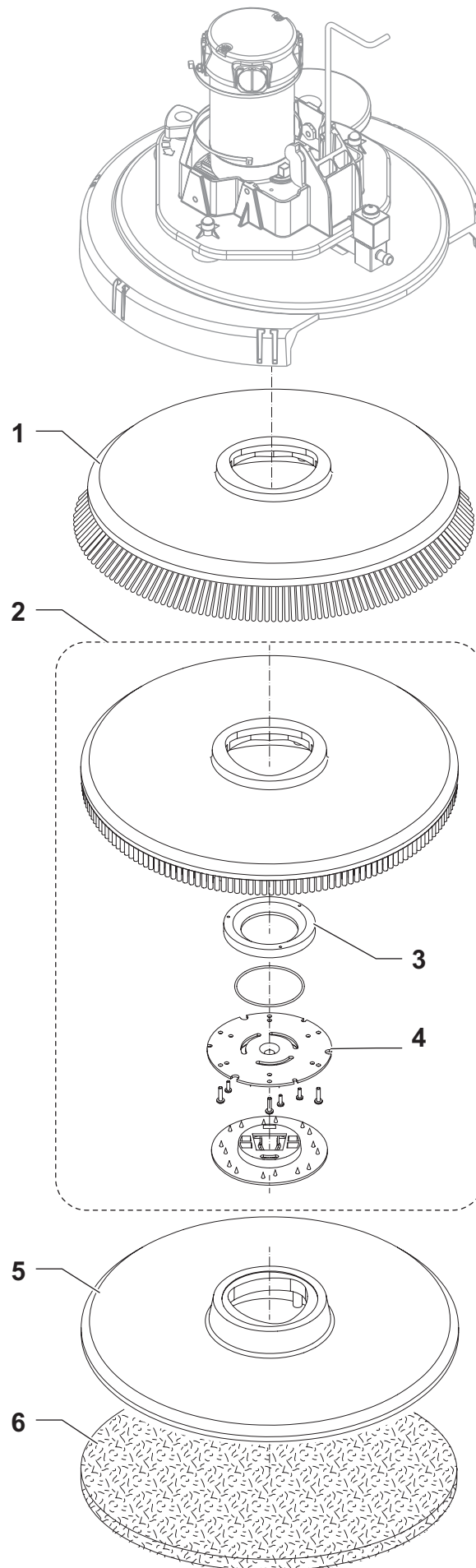
K1



ACCESSORIES

KIT	ITEM	REF. NO.	QTY	DESCRIPTION	DESCRIZIONE
K1	1	9100000894	1	ELBOW CURVED M/F PKD	RACCORDO CURVO M/F G 1/2 PKD
K1	2	9098777000	1	HOLDER RUBBER 90 F HOSE D.10 PKD	PORTAGOMMA 90 PER TUBO D.10 PKD
K1	3	9100000896	1	GASKET RUBBER D.11.5X19 H8 BLACK PKD	GUARNIZ. IN GOMMA D.11.5X19 H8 NERA PKD
K1	4		1	FITTING QUICK 1/2 GAS	ATTACCO RAPIDO 1/2 GAS
K1	5		1	NUT G 1/2 DIN 431 A SS	GHIERA G 1/2 DIN 431 A INOX
K1	6	9100000897	1	VALVE WATER STOP PKD	VALVOLA ACQUASTOP PKD
K1	7	9100000898	1	SUPPORT WATER STOP PKD	SUPPORTO ACQUASTOP PKD
K1	8		5	SCREW 3.5X10 THD FORMING SS	WURTH0932040384 3.5X10 VITE AUTOFC TC+ S/
	K1*	9100000005	1	AUTOMATIC WATER FILLING KIT	KIT ACQUASTOP

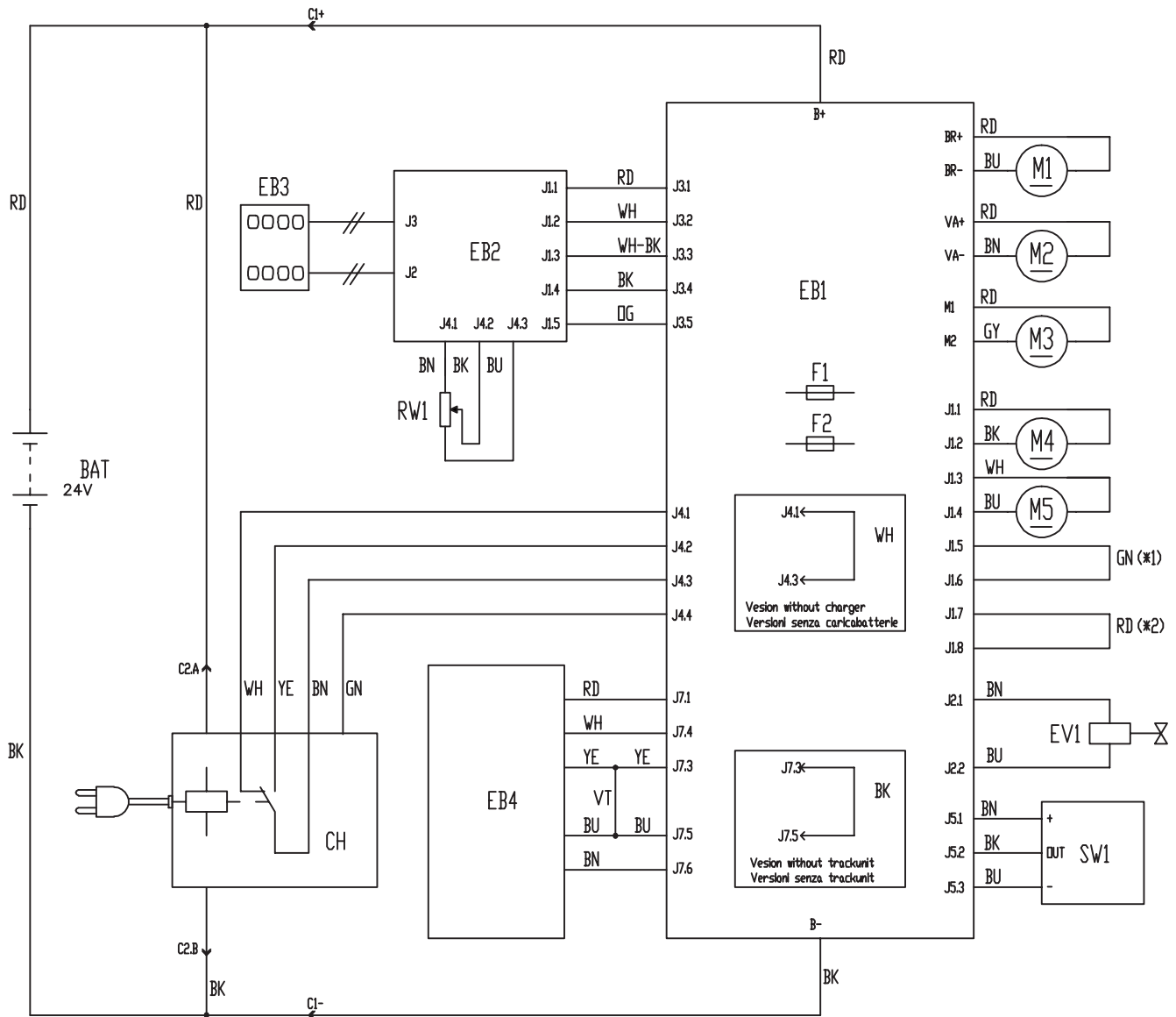
ACCESSORIES



ACCESSORIES

KIT	ITEM	REF. NO.	QTY	DESCRIPTION	DESCRIZIONE
	1*	L08837025	1	BRUSH DISC 530MM 21 PROLENE	SPAZZOLA DISCO 530MM 21 PROLENE
	1*	L08837026	1	BRUSH DISC 530MM 21 PROLITE	SPAZZOLA DISCO 530MM PROLITE
	1*	L08837027	1	BRUSH DISC 530MM 21 UNION MIX	SPAZZOLA DISCO 530MM UNION MIX
	1*	L08837028	1	BRUSH DISC 530MM 21 MIDLITE GRIT 180	SPAZZOLA DISCO 530MM MIDLITE GRIT 180
	1*	L08837029	1	BRUSH DISC 530MM 21 MID GRIT 240	SPAZZOLA DISCO 530MM MID GRIT 240
	1*	L08837065	1	BRUSH DISC 530MM 21 MAGNA GRIT 46	SPAZZOLA DISCO 530MM MAGNA GRIT 46
	1*	L08837066	1	BRUSH DISC 530MM 21 DYNA GRIT 80	SPAZZOLA DISCO 530MM DYNA GRIT 80
	1*	L08837067	1	BRUSH DISC 530MM 21 AGLITE GRIT 500	SPAZZOLA DISCO 530MM AGLITE GRIT 500
	2*	L08837018	1	PAD HOLDER 530MM	KIT DISCO TRASCINATORE COMPLETO
	3	L08603966	1	RING NYLON	ANELLO NYLON
	4	56505195	1	PAD RETAINER	MOZZO ATTACCO SPAZZOLA (CENTER LOCK)
	5*	9099671000	1	PAD HOLDER FLAT 20 508MM	DISCO TRASCINATORE PAD 20 508MM
	6*	10001955	1	PAD 20 508MM ECO BLACK 5PCS	FELTRO 20 508MM ECO BLACK 5PCS
	6*	10001956	1	PAD 20 508MM ECO BLUE 5PCS	FELTRO 20 508MM ECO BLUE 5PCS
	6*	10001957	1	PAD 20 508MM ECO BROWN 5PCS	FELTRO 20 508MM ECO BROWN 5PCS
	6*	10001958	1	PAD 20 508MM ECO GREEN 5PCS	FELTRO 20 508MM ECO GREEN 5PCS
	6*	10001959	1	PAD 20 508MM ECO RED 5PCS	FELTRO 20 508MM ECO RED 5PCS
	6*	10001960	1	PAD 20 508MM ECO WHITE 5PCS	FELTRO 20 508MM ECO WHITE 5PCS
	6*	10002348	1	PAD 20 508MM ECO BRILLIANCE RED 2PCS	FELTRO 20 508MM ECO BRILL. RED 2PCS
	6*	10002349	1	PAD 20 508MM ECO BRILLIANCE BLUE 2PCS	FELTRO 20 508MM ECO BRILL. BLUE 2PCS
	6*	10002350	1	PAD 20 508MM ECO BRILL. YELLOW 2PCS	FELTRO 20 508MM ECO BRILL. YELLOW 2PCS
	6*	10002351	1	PAD 20 508MM ECO BRILLIANCE GREEN 2PCS	FELTRO 20 508MM ECO BRILL. GREEN 2PCS

WIRING DIAGRAM



WIRING DIAGRAM

KEY	REF. NO.	DESCRIPTION	DESCRIZIONE
BAT	-	24 V BATTERIES	BATTERIE 24 V
C1	9100000884	CONNECTOR RED 120A 2 PCS SET	CONNETTORE 120A ROSSO SET 2 PZ
C2	-	BATTERY CHARGER MAIN CONNECTOR	CONNETTORE PRINCIPALE CARICABATTERIE
C3	-	BATTERY CHARGER SUB-CONNECTOR	CONNETTORE SECONDARIO CARICABATTERIE
CH	9100000888	CHARGER BATT. O/B 24V 13A 100-230V PKD	CARICABATT. A BORDO 24V 13A 100-230V PKD
EB1	9100000879	CONTROLLER MAIN MACHINE PKD	SCHEDA FUNZIONI PKD
EB2	9100000842	CARD DISPLAY PKD	SCHEDA DISPLAY PKD
EB3	9100000846	DASHBOARD CONTROL PANEL PKD	SERIGRAFIA PLANCIA A MEMB. 53B/20B PKD
EB4	-	TRACKUNIT PUSH-BUTTON (OPTIONAL)	PULSANTE TRACKUNIT (OPZIONALE)
EV1	9100000870	SOLENOID VALVE 24V PKD	ELETTROVALVOLA 24V PKD
F1	9100000877	FUSE MIDIFUSE 100A PKD	FUSIBILE 100A TIPO MIDI FUSE PKD
F2	9100000878	FUSE BLADE 3A PKD	FUSIBILE A LAMA 3A PKD
M1	9100000874	REDUCTION GEARMOTOR 450W 24V PKD	MOTORIDUTTORE 450W 24V PKD
M2	9100000823	MOTOR VACUUM 24V 280W PKD	MOTORE ASPIRATORE 24V 280W PKD
M3	9100000828	MOTOR ELECTRIC 200W 24V PKD	MOTORE ELETTRICO 200W 24V PKD
M3	9100000921	MOTOR ELECTRIC 200W 24V	MOTORE ELETTRICO 200W 24V
M4	9100000892	PUMP CHEMICAL MIX PKD	POMPA DETERGENTE CHIMICO PKD
M5	9100000805	ACTUATOR LINEAR 24V DC STRK 120MM PKD	ATTUATORE LIN.24V CC C. 120MM PKD
RV1	9100000837	POTENTIOMETER 5K PKD	POTENZIOMETRO 5K PKD
SW1	9100000893	SENSOR WATER LEVEL PKD	SENSORE LIVELLO ACQUA PKD

KEY	COLOUR	COLORE
BK	BLACK	NERO
BU	LIGHT BLUE	AZZURRO
BN	BROWN	MARRONE
GN	GREEN	VERDE
GY	GREY	GRIGIO
OG	ORANGE	ARANCIONE

KEY	COLOUR	COLORE
PK	PINK	ROSA
RD	RED	ROSSO
VT	VIOLET	VIOLA
WH	WHITE	BIANCO
YE	YELLOW	GIALLO

RECOMMENDED PARTS

REF. NO.	QTY	DESCRIPTION
		NORMAL WEAR
910000829	1	BAND ELASTIC F EXTENSION CABLE PKD
910000810	1	BLADE SQUEEGEE 740MM 29 GUM KIT
910000490	1	BLADE SQUEEGEE 730MM 29 PU KIT
910000060	1	BLADE SQUEEGEE 730MM 29 RED GUM KIT
910000920	1	CARBON BRUSHES W/HOLDER KIT
9098376000	1	CARBON BRUSHES KIT 4 PCS
		ORDINARY MAINTENANCE
910000794	1	CABLE SAFETY F TANK KIT
910000812	1	HOSE DRAIN BLACK PKD
910000889	1	CLIP HOSE STOPPING 2 PCS SET
910000816	1	HOSE SUCTION BLACK PKD
910000904	1	MOTOR VACUUM 24V 280W CPL KIT
910000819	1	GASKET BULB RUBBER L.1670MM PKD
910000823	1	MOTOR VACUUM 24V 280W PKD
910000739	1	GASKETS VACUUM MOTOR KIT
910000828	1	MOTOR ELECTRIC 200W 24V PKD
910000830	1	WHEEL D.200X50 GREY-BLACK 2 PCS SET
910000843	1	KEY OPERATOR COMPLETE PKD
910000902	2	BEARING FLANGE IGLIDUR 2 PCS SET
910000855	1	SPRING GAS 30 KG PKD
910000856	1	WHEEL PIVOTING 2 PCS SET
910000857	1	SLEEVE SUCTION HOSE PKD
910000903	1	WASHER THRUST GTM 3254-015 PKD
910000796	1	HOSES SOLUTION SYSTEM KIT
910000861	1	NET WATER FILTER REINFORCED PKD
910000559	3	WHEEL D.51 GREY PKD
910000864	1	STRAP ELASTIC F REAR SQUEEGEE BLADE PKD
910000865	1	STRAP FRONT SQUEEGEE BLADE PKD
910000867	1	GUIDE WHEEL 2 PCS SET
910000797	1	HOSES BRUSH DECK KIT
910000870	1	SOLENOID VALVE 24V PKD
910000871	1	HUB BRUSH PKD
910000874	1	REDUCTION GEARMOTOR 450W 24V PKD
910000798	1	GASKETS COVER KIT
		EXTRA ORDINARY MAINTENANCE
910000803	1	VALVE ELBOW PKD
9098446000	1	HOSE SOLUTION
909 6380 000	1	CLAMP KIT
910000899	1	FILTER WATER INLET PKD
910000805	1	ACTUATOR LINEAR 24V DC STRK 120MM PKD
910000808	1	RUBBER SOLUTION CAP PKD
910000703	1	HOSE FILLING PKD
910000827	1	MOTOR DRIVE 200W 24V PKD
910000820	1	HARNESS VACUUM MOTOR PKD
9099767000	1	SUPPORT FLOAT KIT
910000837	1	POTENTIOMETER 5K PKD
910000842	1	CARD DISPLAY PKD
910000845	1	HARNESS CONTROL PANEL PKD
910000846	1	DASHBOARD CONTROL PANEL PKD
910000848	1	KEY SERVICE COMPLETE PKD
910000860	1	FILTER WATER PKD
910000747	1	SQUEEGEE 730MM/29 PRE-ASSEMBLED PKD
910000868	1	VIBRATION DAMPING M8 60SH 2 PCS SET
910000873	1	DECK BRUSH PKD
910000879	1	CONTROLLER MAIN MACHINE PKD
910000881	1	HARNESS MACHINE SC500 53B/20B PKD
910000884	1	CONNECTOR RED 120A 2 PCS SET
910000888	1	CHARGER BATT. O/B 24V 13A 100-230V PKD
910000892	1	PUMP CHEMICAL MIX PKD
910000893	1	SENSOR WATER LEVEL PKD

ACCESSORIES/OPTIONALS

REF. NO.	QTY	DESCRIPTION
9100000703	1	HOSE FILLING PKD
9100000491	1	HIGH POWER VACUUM MOTOR 24V 450W KIT
9100000795	1	TRAY DEBRIS KIT
9100000843	1	KEY OPERATOR COMPLETE PKD
9100000848	1	KEY SERVICE COMPLETE PKD
909 5065 000	1	FILTER ANTIFOAMING
9100000810	1	BLADE SQUEEGEE 740MM 29 GUM KIT
9100000490	1	BLADE SQUEEGEE 730MM 29 PU KIT
9100000060	1	BLADE SQUEEGEE 730MM 29 RED GUM KIT
9099995000	1	CHARGER BATT. O/B 24V 13A 100-230V KIT
9100000008	1	ECOFLEX CHEMICAL KIT SC500
9098025000	1	ADAPTER CHEMICAL KIT
9099826000	1	SPLASH GUARD 510MM 20 KIT
9100000065	1	MOP AND TRASH KIT
9100000005	1	AUTOMATIC WATER FILLING KIT
L08837025	1	BRUSH DISC 530MM 21 PROLENE
L08837026	1	BRUSH DISC 530MM 21 PROLITE
L08837027	1	BRUSH DISC 530MM 21 UNION MIX
L08837028	1	BRUSH DISC 530MM 21 MIDLITE GRIT 180
L08837029	1	BRUSH DISC 530MM 21 MID GRIT 240
L08837065	1	BRUSH DISC 530MM 21 MAGNA GRIT 46
L08837066	1	BRUSH DISC 530MM 21 DYNA GRIT 80
L08837067	1	BRUSH DISC 530MM 21 AGLITE GRIT 500
L08837018	1	PAD HOLDER 530MM
9099671000	1	PAD HOLDER FLAT 20 508MM
10001955	1	PAD 20 508MM ECO BLACK 5PCS
10001956	1	PAD 20 508MM ECO BLUE 5PCS
10001957	1	PAD 20 508MM ECO BROWN 5PCS
10001958	1	PAD 20 508MM ECO GREEN 5PCS
10001959	1	PAD 20 508MM ECO RED 5PCS
10001960	1	PAD 20 508MM ECO WHITE 5PCS
10002348	1	PAD 20 508MM ECO BRILLIANCE RED 2PCS
10002349	1	PAD 20 508MM ECO BRILLIANCE BLUE 2PCS
10002350	1	PAD 20 508MM ECO BRILL. YELLOW 2PCS
10002351	1	PAD 20 508MM ECO BRILLIANCE GREEN 2PCS

