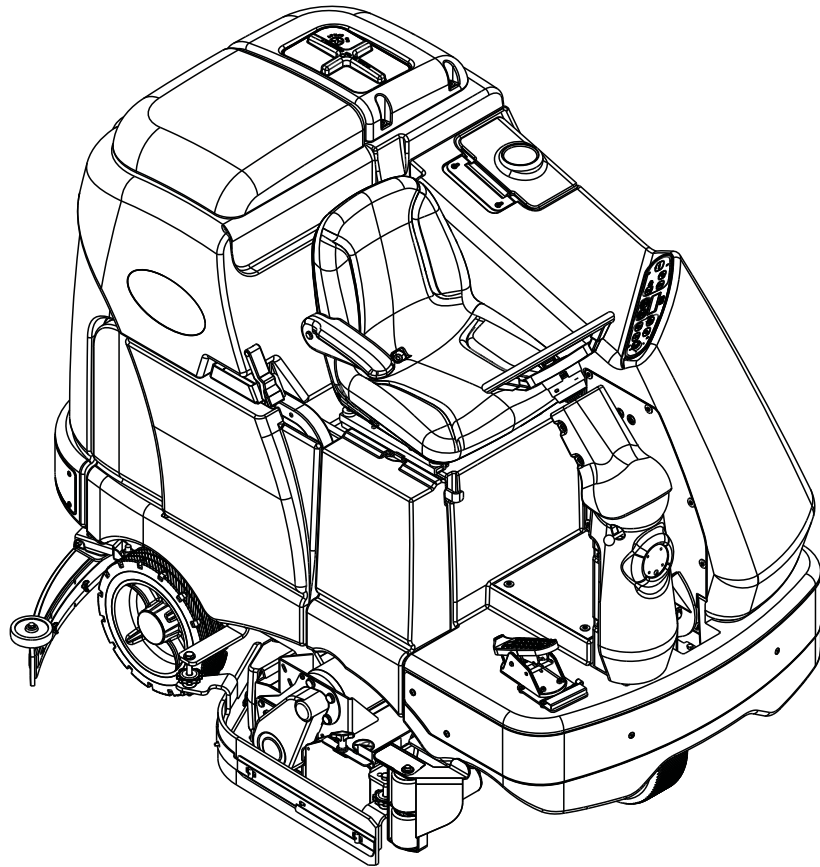


# SC6500

---



---

## PARTS LIST

**Models:**

**56414010 (40C), 56414011 (40C EcoFlex), 56414012 (40D), 56414013 (40D EcoFlex),  
56414014 (45C), 56414015 (45C EcoFlex), 56414016 (45D), 56414017 (45D EcoFlex),  
56414018 (48C), 56414019 (48C EcoFlex), 56414020 (48D), 56414021 (48D EcoFlex)**



**Advance**



## TABLE OF CONTENTS

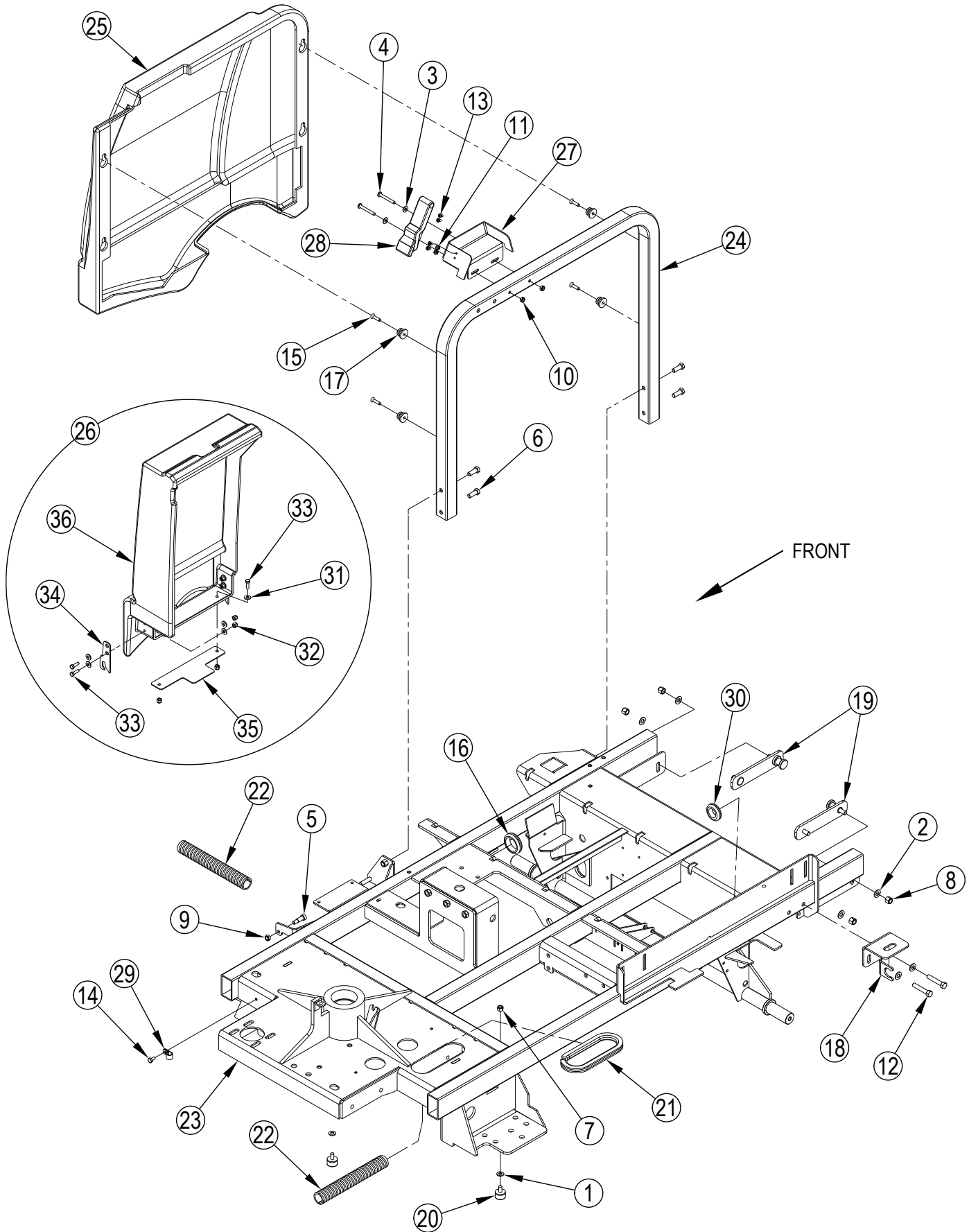
DESCRIPTION	PAGE
Chassis System .....	2-3
Decal System.....	4-5
Drive Wheel System .....	6-7
Drive Wheel System-Steering Assy .....	8-9
Electrical System .....	10-11
Rear Wheel System.....	12-13
Recovery System.....	14-15
Scrub System-Cylindrical.....	16-17
Scrub System-Cylindrical-Scrub Assy.....	18-19
Scrub System-Cylindrical-Skirt & Bumper Assy.....	20-21
Scrub System-Disk .....	22-23
Scrub System-Disk-40 Inch Scrub Assy .....	24-25
Scrub System-Disk-45 & 48 Inch Scrub Assy .....	26-27
Scrub System-Disk-Skirt Assy .....	28-29
Solution System.....	30-31
Solution System-Detergent Metering Kit.....	32-33
Squeegee System.....	34-35
Squeegee System-Squeegee Arm Assy .....	36-37
Squeegee System-Squeegee Assy F-40” .....	38-39
Squeegee System-Squeegee Assy G-45” .....	40-41
Squeegee System-Squeegee Assy H-48” .....	42-43
Sweep System.....	44-45
Sweep System-Side Broom Assy .....	46-47
Ladder Diagram .....	48-53
Optional Kits & Accessories .....	54-55
Recommended Spare Parts.....	56-57
Brush Selector Guide-Disk.....	58
Brush Selector Guide-Cylindrical .....	59
Squeegee Selector Guide.....	60

### WHEN ORDERING PARTS

- \* Use the numbers from the “Ref. No.” columns in this parts list.
- \* Specify the model and serial number of the machine.
- \* Use the space below to record the model and serial number for future reference.

Model \_\_\_\_\_ Serial No. \_\_\_\_\_

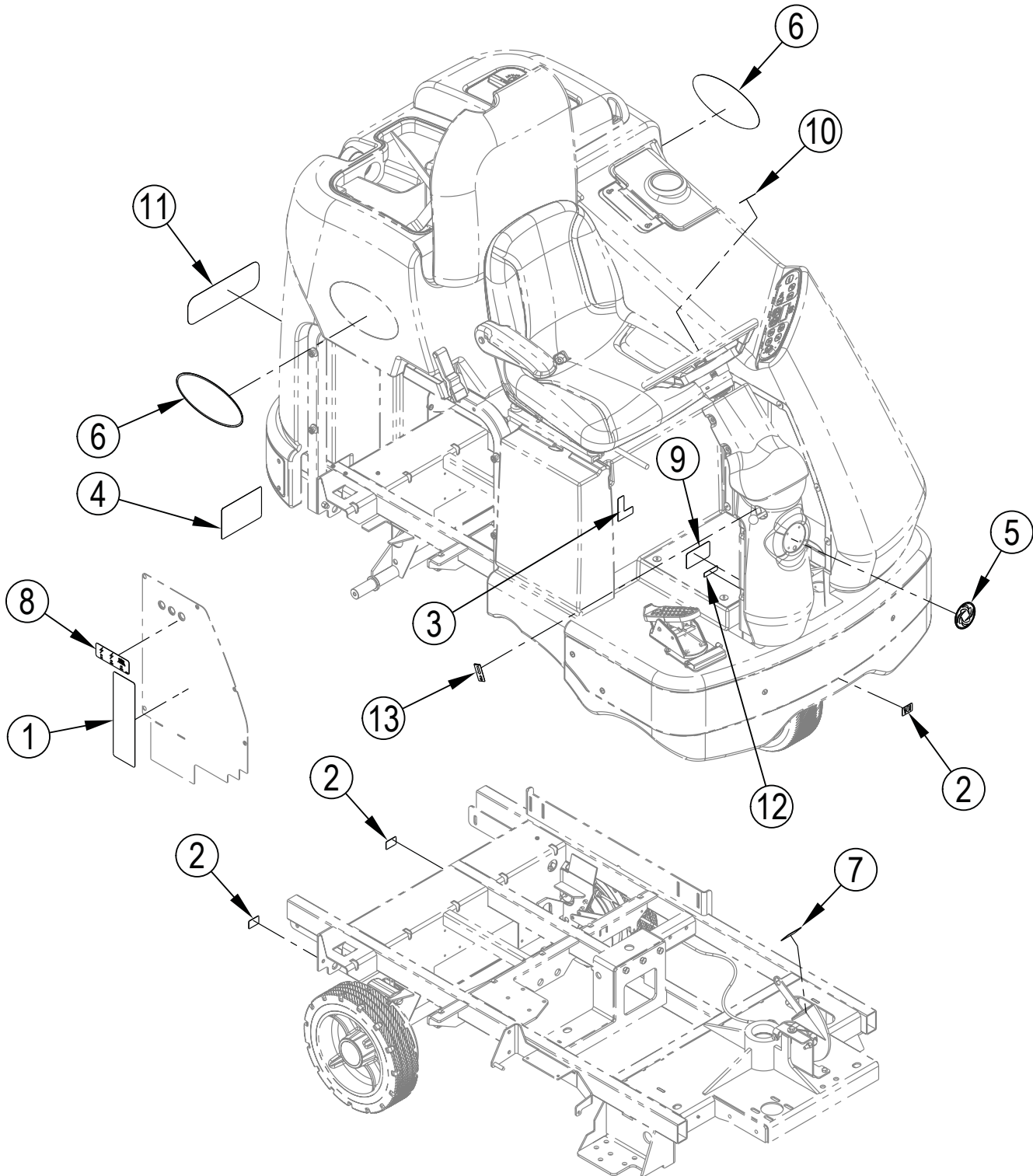
## CHASSIS SYSTEM



## CHASSIS SYSTEM

Item	Ref. No.	Qty	Description
1	56001939	2	Wsh, Flt Sae 5/16
2	56002063	6	Wsh, Flt Sae 3/8
3	56002098	2	Wsh, Flt Sae 1/4
4	56002108	2	Scr-Pan Phil 1/4-20 X 2.00
5	56002622	1	Scr-Soc Shd .38 X .75 X 5/16-18
6	56002663	4	Scr-Hex 3/8-16 X 1.00
7	56002701	2	Nut, Hex Nyl Loc 5/16-18
8	56002769	8	Nut-Hex Nyl Loc 3/8-16
9	56002826	1	Nut, Hex Nyl Loc-Thin 5/16-18
10	56002840	2	Nut, Hex Nyl Loc-Thin 1/4-20
11	56002849	2	Nut, Hex Nyl Loc-Thin Ss 10-24
12	56003031	2	Scr-Hex Hd Loc 3/8-16x2.00
13	56003189	4	Scr-Pan Phil Ss 10-24 X .38
14	56009033	1	Scr, Hex Thd Form 1/4-20 X .50
15	56009101	4	Scr, Flt Phil Thd Form 1/4-20x1.00
16	56054715	1	Grommet
17	56365777	4	Lug, Brush Driver
18	56413254	1	Support
19	56413373	2	Pin Plate Weldt
20	56413714	2	Bumper, Rubber
21	56413724	1	Trim, Edge
22	56413847	2	Conduit
23	56414060	1	Weldment-Chassis
24	56414104	1	Support-Chassis
25	56414106	1	Rear Side Panel
26	56414116	1	Side Panel Assembly (#31-36)
27	56414118	1	Bracket-Latch
28	56462746	1	Latch
29	56486112	1	Clamp-P
30	56486116	1	Grommet
31	56002098	10	Wsh, Flt Sae 1/4
32	56003403	6	Nut-Hex Nyl Loc M6-1
33	56003454	6	Scr-Hex Thd To Hd Ss M6-1 X 20mm
34	56413433	2	Hinge
35	56413796	1	Plate
36	56414110	1	Front Side Panel

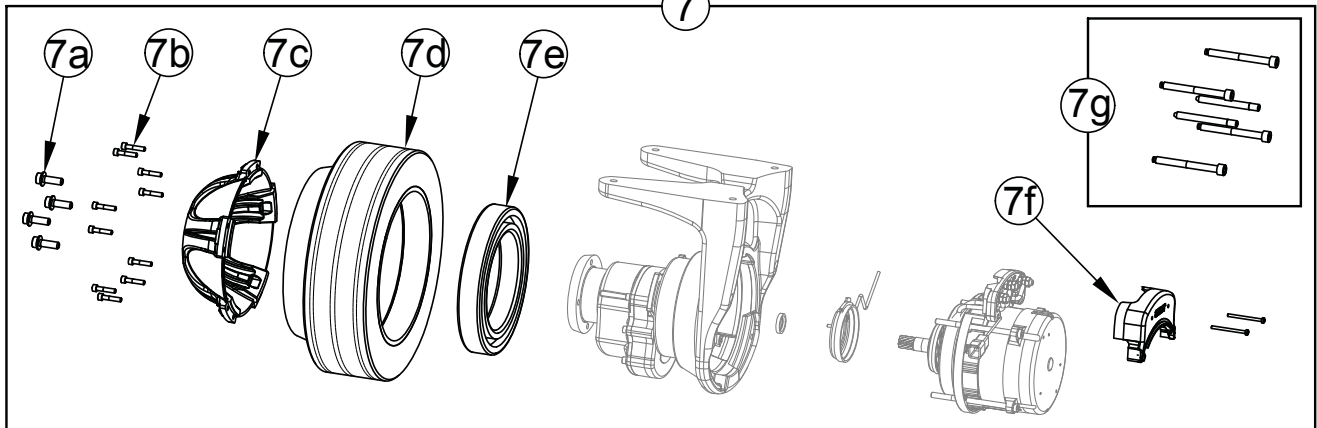
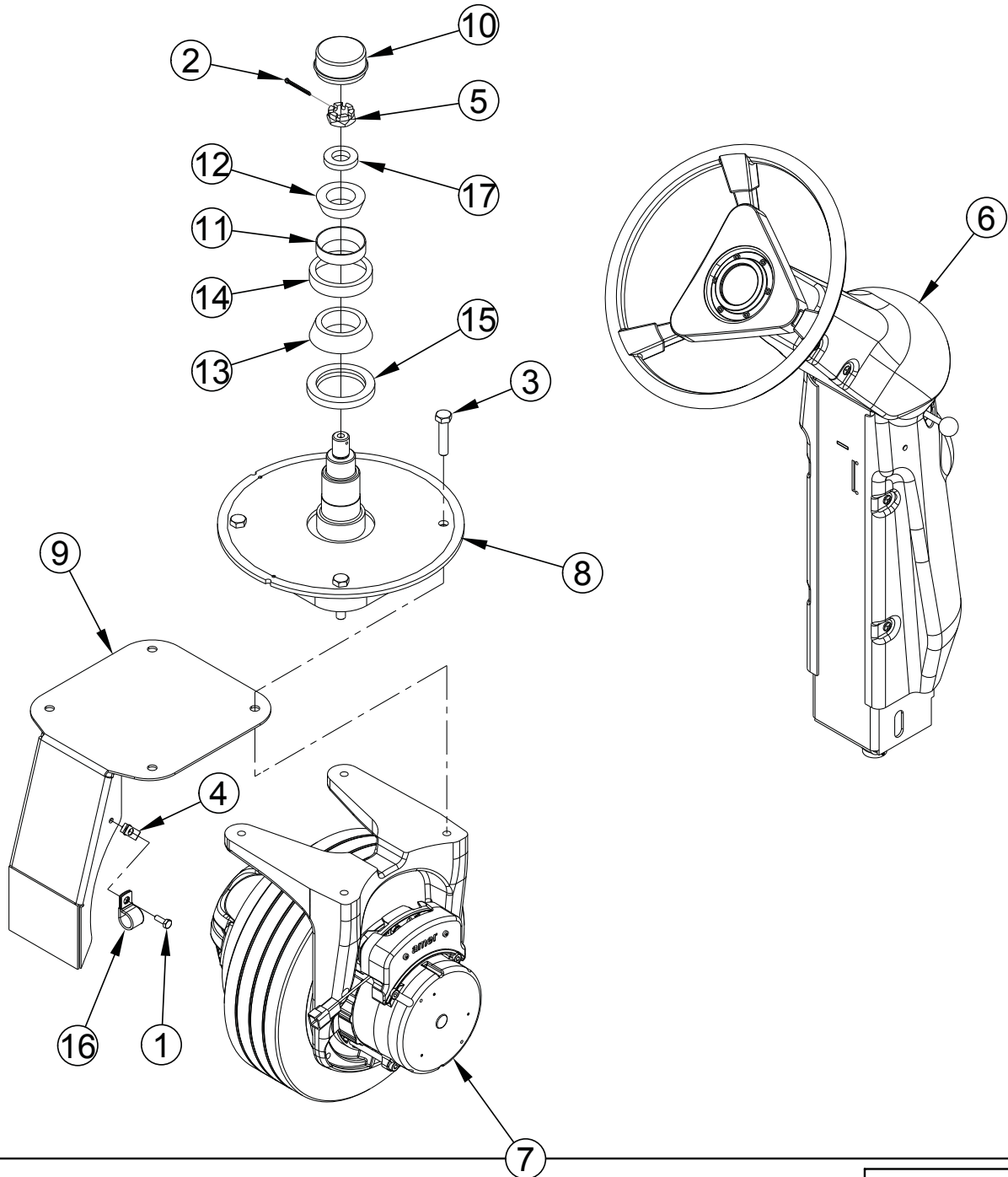
### DECAL SYSTEM



## DECAL SYSTEM

Item	Ref. No.	Qty	Description
1	56014601	1	Decal, Caution
2	56015370	3	Decal, Tie Down
3	56015179	1	Decal, Emergency
4	56015272	1	Decal, Battery Wiring Diagram
5	56015276	1	Decal, Logo
6	56414141	2	Decal-SC6500
	56414142	2	Decal- SC6500-EcoFlex
7	56413797	1	Mat, Pedal
8	56015374	1	Decal, Circuit Breaker
9	56016401	1	Decal, Parking Brake
10	56015281	1	Decal, Logo 2 Inch
11	56016730	1	Decal, Advance
12	56014450	1	Decal Patent
13	564140741	1	Decal-Tilt Wheel

### DRIVE WHEEL SYSTEM

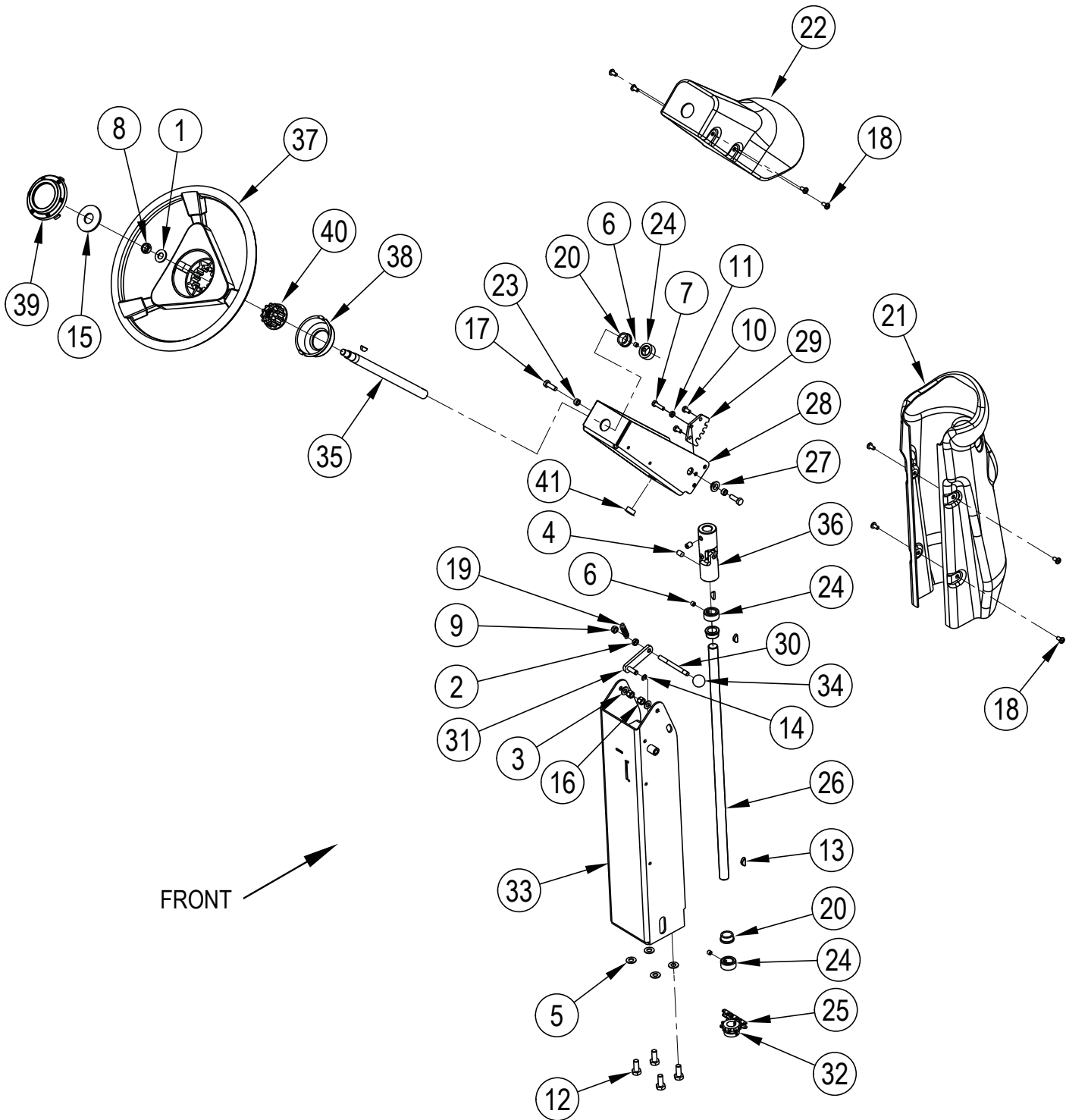




## DRIVE WHEEL SYSTEM

Item	Ref. No.	Qty	Description
1	56002155	1	Scr-Hex 1/4-20 X .75
2	56002181	1	Pin-Cotter, 1/8 X 1 1/2
3	56003708	4	Scr-Hex M12-1.75 X 55mm
4	56009289	1	Nut, Retainer 1/4-20
5	56110817	1	Nut, Castle 7/8-14
6		1	Steering ASM
7	56414198	1	Wheel-Drive-AC (M1)
7a	56414211	1	Screw Kit-M10x30
7b	56414212	1	Screw Kit- M6x30
7c	56414213	1	Hub-Drive Wheel
7d	56414214	1	Wheel-3.94x350
7e	56414215	1	Bearing-Drive Wheel
7f	56414216	1	Terminal Cover Kit
7g	56414217	1	Tire Puller Kit
8	56414201	1	Front Spindle-Weldment
9	56414206	1	Splash-Guard
10	56483135	1	Cap, Grease
11	56492697	1	Bearing, Cup
12	56492699	1	Bearing, Cone
13	56492700	1	Bearing, Cone
14	56492702	1	Bearing, Cup
15	56493191	1	Seal, Radial Lip
16	56496276	1	Clamp, Hose Support
17	56497241	1	Bushing

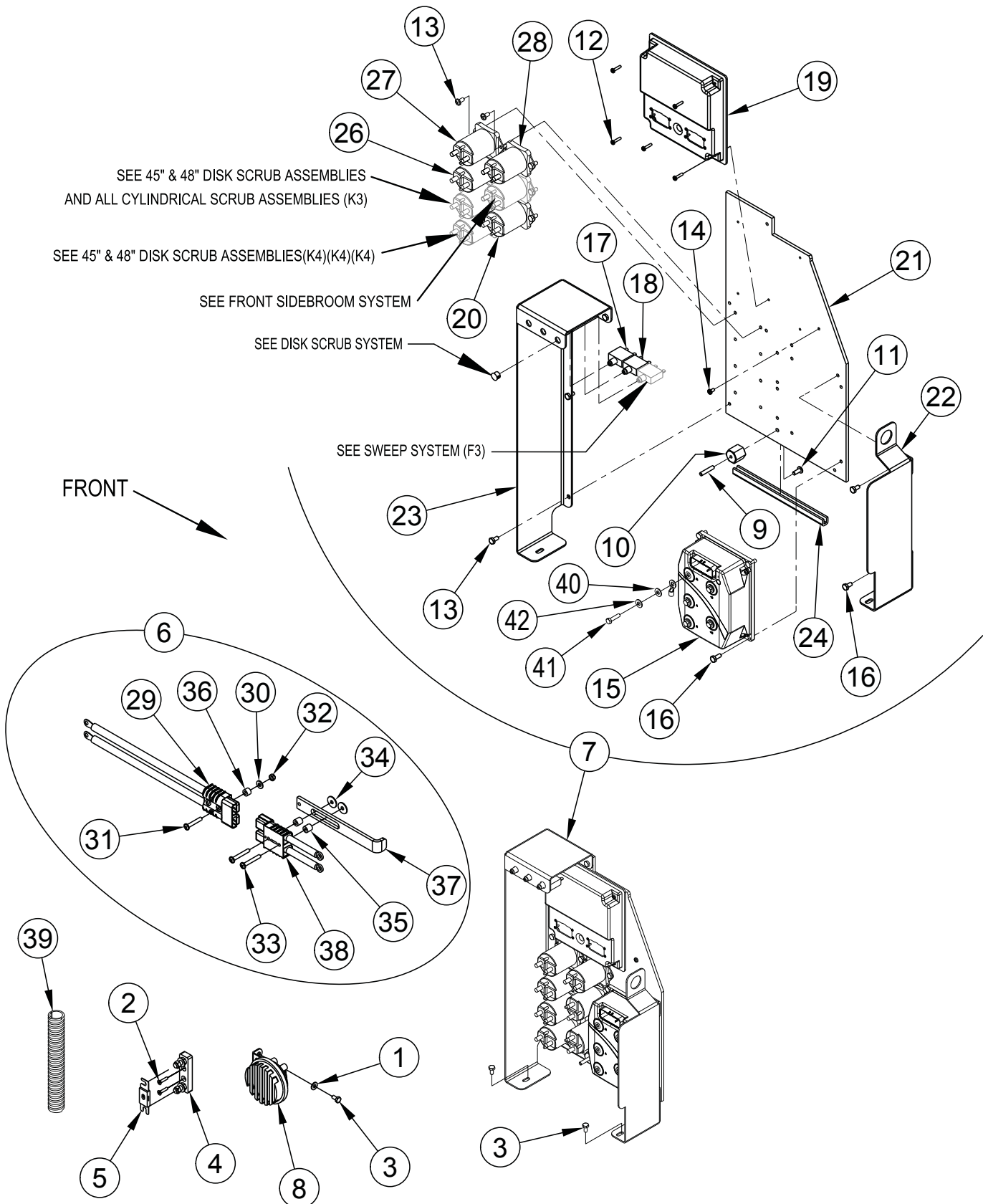
### DRIVE WHEEL SYSTEM-STEERING ASSY



## DRIVE WHEEL SYSTEM-STEERING ASSY

Item	Ref. No.	Qty	Description
1	56001879	1	Wsh-Flt Sae 1/2
2	56001884	1	Nut, Hex Jam 5/16-24
3	56001939	2	Wsh, Flt Sae 5/16
4	56001958	2	Scr, Soc Set Loc 3/8-16 X .50
5	56002063	4	Wsh, Flt Sae 3/8
6	56002086	3	Scr, Soc Set Loc 5/16-18 X .25
7	56002093	1	Scr-Hex 1/4-20 X 1.00
8	56002843	1	Nut, Hex Nyl Loc-Thin 1/2-13
9	56002866	1	Nut, Hex Nyl Loc-Thin 5/16-24
10	56003039	2	Scr-Hex Hd Loc 1/4-20x.50
11	56003145	1	Nut-Hex Jam Ss 1/4-20
12	56003186	4	Scr, Hex Thd To Hd M10-1.5 X 25mm
13	56003228	4	Key, Wdf .75 X .19
14	56003261	1	Ring, Ret Ext Type E 0.31 Dia
15	56003342	1	Wsh-Flt .88x2.25x.13
16	56003389	2	Nut-Hex Nyl Loc M8-1.25
17	56003436	2	Scr-Hex Ss M8-1.25 X 25mm
18	56009062	8	Scr, Pan Phil Thd Form 1/4-20 X .50
19	56112054	1	Spring, Extension .43 X .175
20	56250414	3	Bearing, Flange
21	56314295	1	Shroud, Lower Column
22	56314296	1	Shroud Upper Column
23	56320595	2	Bushing .32x.50x.28
24	56367095	3	Collar, Shaft
25	56412198	1	Chain, Roller
26	56413175	1	Shaft, Lower Steering
27	56413211	2	Bearing, Flange .625 X .500 X .250
28	56413657	1	Column, Upper
29	56414075	1	Ratchet-Steering Column
30	56414078	1	Rod-Tilt Wheel
31	56414081	1	Steering Pawl Weldment
32	56414082	1	Sprocket-10 Tooth
33	56414084	1	Lower Column Weldment
34	56414088	1	Knob-Tilt Wheel
35	56420059	1	Shaft, Upper Steering
36	56454081	1	Universal Joint
37	56497306	1	Steering Wheel
38	56497308	1	Cap
39	56497543	1	Cap
40	56497560	1	Wheel Adapter
41	56900041	1	Plug, Cap

# ELECTRICAL SYSTEM



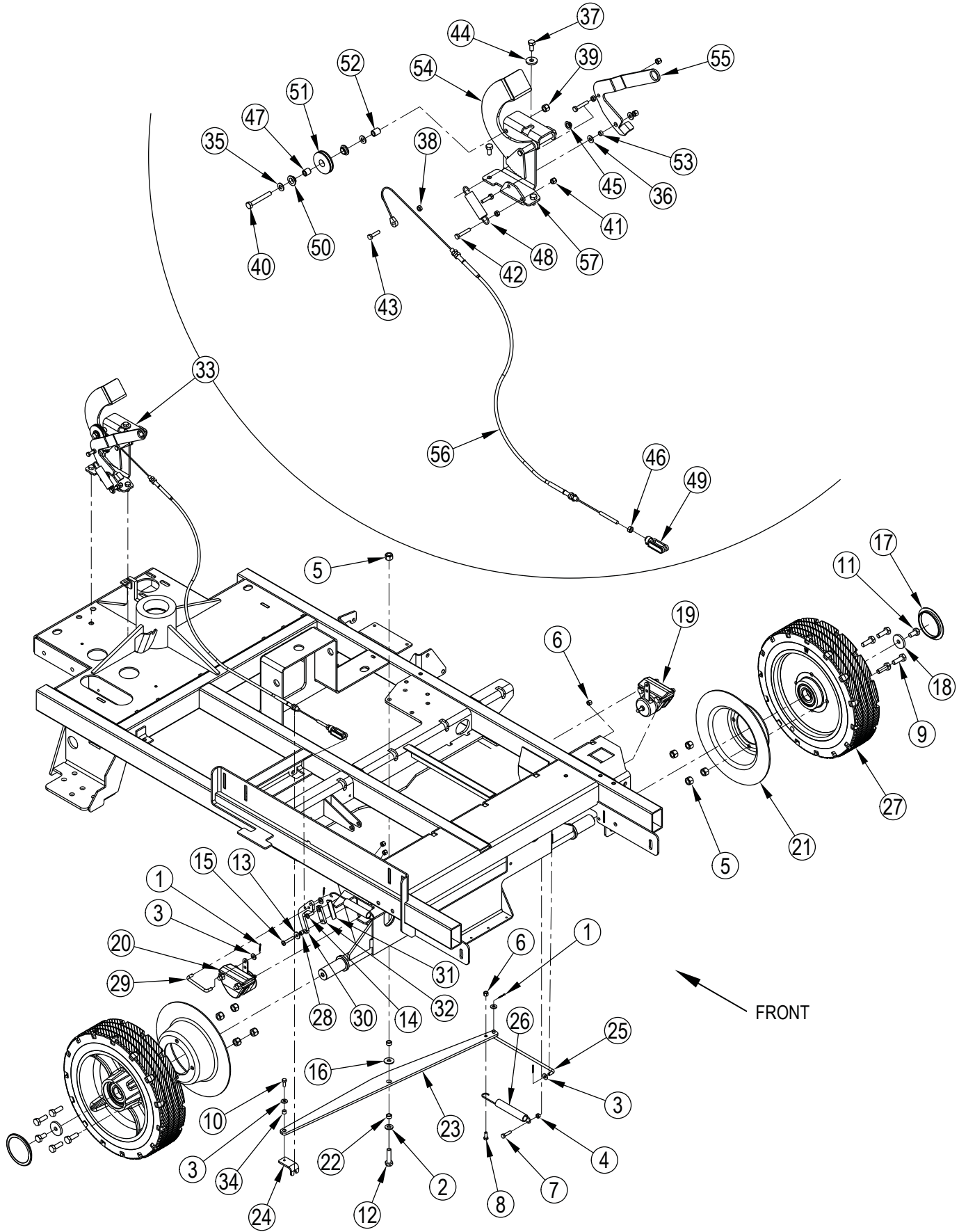
## ELECTRICAL SYSTEM

Item	Ref. No.	Qty	Description
1	56002098	1	Wsh, Flt SAE 1/4
2	56002417	2	Scr, Flt Phil 10-24 X .88
3	56009033	3	Scr, Hex Thd Form 1/4-20 X .50
4	56303295	1	Fuse Block
5	56410044	1	Fuse, 250 Amp (F4)
6	56413067	1	Disconnect, Battery (#29-38)
7		1	Electrical Component Assy (#9-28)
8	56482365	1	Horn 36v (H4)
9	56009203	1	Stud, 1/4-20
10	56469858	1	Electrical Mount
11	56002066	1	Scr, Pan Phil 1/4-20 X .62
12	56003698	5	Scr, Pan Phil Thd Form 8-32 X .75
13	56009033	15	Scr, Hex Thd Form 1/4-20 X .50
14	56009030	1	Scr, Pan Phil Thd Form 10-24 X .38
15	56414210	1	Speed Control (A1)
16	56009250	4	Scr Hex Thd Form 1/4-20x.62
17	56413406	1	Circuit Breaker, 3.0 Amp (Control / F1)
18	56413407	1	Circuit Breaker, 15 Amp (Auxiliary / F2)
19	56381049	1	Main PCB Box Assembly (A2)
20	56413516	1	Contactor, 36vdc 200A (Main / K7)
21	56414199	1	Mount, Electrical
22	56413623	1	Mount, Electrical Panel
23	56413627	1	Mount, Electrical
24	56413841	1	Edge Trim, .25
26	56413516	1	Contactor, 36vdc 200A (Right Brush / K2)
27	56413516	1	Contactor, 36vdc 200A (Vacuum / K1)
28	56413516	1	Contactor, 36vdc 200A (Auxiliary / K5)
29	56409444	1	Connector Assy
30	56002098	1	Wsh, Flt SAE 1/4
31	56002786	1	Scr, Pan Phil 1/4-20 X 1.50
32	56002840	1	Nut, Hex Nyl Loc-Thin 1/4-20
33	56002997	2	Scr, Pan Phil 1/4-20 X 1.75
34	56009002	2	Wsh, Flt .266 X .906 X .060
35	56046309	2	Spacer, Phenolic
36	56050872	1	Spacer, Phenolic
37	56413132	1	Bar, Disconnect
38	56413217	1	Connector Assy
39	56413847	1	Conduit
40#	56002098	5	Wsh, Flt Sae 1/4
41#	56003358	5	Scr-Hex M6-1 X 25mm
42#	56009064	5	Wsh, Int Shprf 1/4
[ ]	56409485	5	Cable, Battery
[ ]	56414097	1	Harness-Main
[ ]#	56414138	1	Harness, Traction Motor
[ ]	56413219	1	Cable Asm, Blk 4-1
[ ]	56413220	1	Cable Asm, Red 1-3
[ ]	56413221	1	Cable Asm, Red 6-1
[ ]	56413222	1	Cable Asm, Red 4-1
[ ]	56478246	5	Tie, Cable
[ ]	56477613	20	Tie, Cable

[ ] = Not Shown

# = Revised or new since last update

### REAR WHEEL SYSTEM

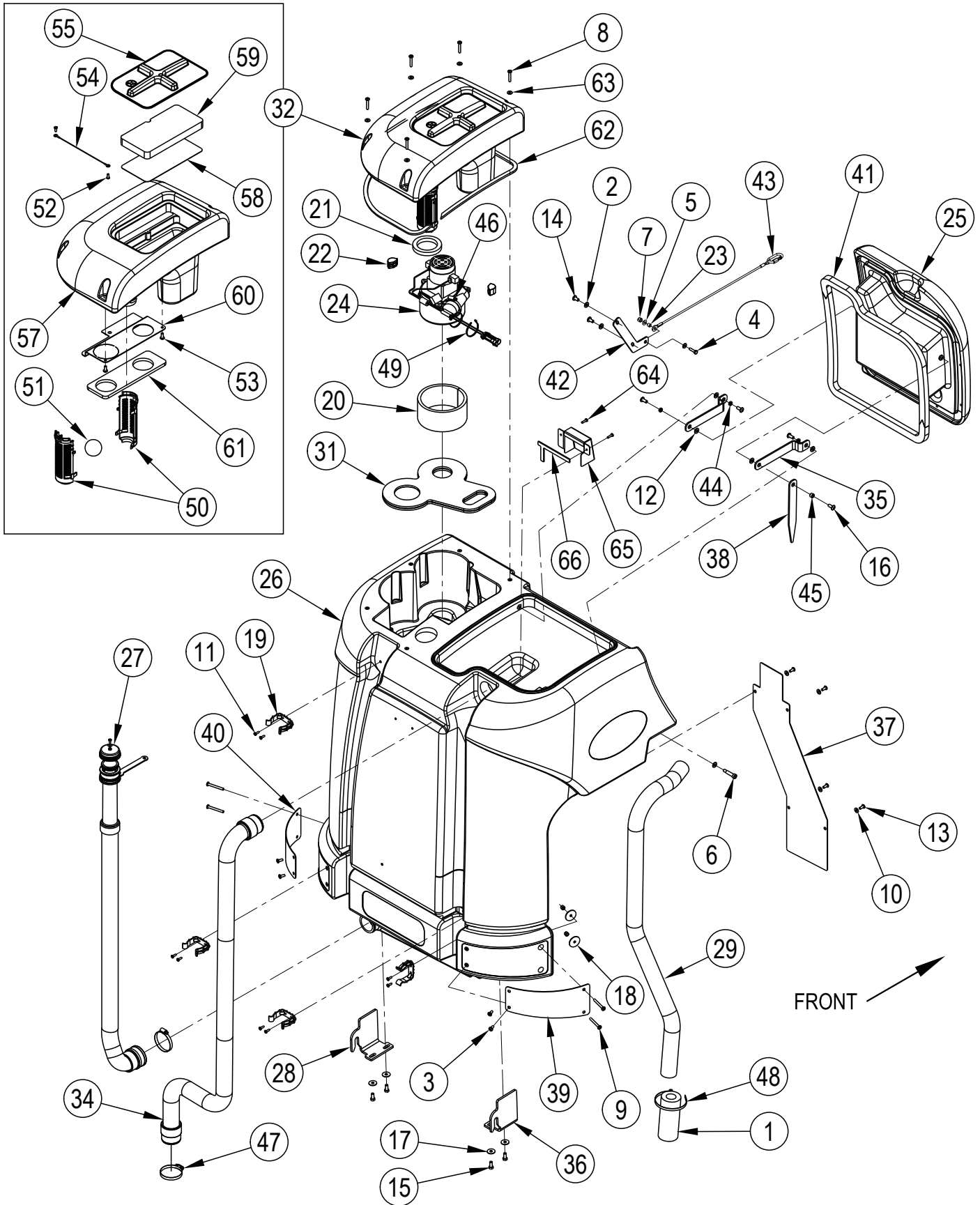


## REAR WHEEL SYSTEM

Item	Ref. No.	Qty	Description
1	56001882	4	Pin-Cotter 1/16 X 3/4
2	56002063	1	Wsh, Flt Sae 3/8
3	56002098	5	Wsh, Flt Sae 1/4
4	56003350	1	Nut-Hex M6-1
5	56003406	9	Nut-Hex Nyl Loc M10-1.5
6	56003426	4	Nut, Hex Nyl Loc Ss M6-1
7	56003430	1	Scr-Hex Ss M6-1 X 25mm
8	56003431	1	Scr-Hex Ss M6-1 X 16mm
9	56003439	8	Scr-Hex Ss M10-1.5 X 30mm
10	56003441	1	Scr, Hex Loc M6-1 X 16mm
11	56003442	2	Scr, Hex Loc M10-1.5 X 20mm
12	56003491	1	Scr-Hex M10-1.5 X 40mm
13	56003638	1	Wsh, Flt Ss 6mm
14	56003896	1	Scr-Pan Phil Ss M6-1 X 20mm
15	56003950	1	Scr-Pan Phil Ss M6-1 X35mm
16	56009213	1	Wsh-Flt .392x1.00x.075
17	56116032	2	Cap-Hub
18	56367117	2	Wsh, Flt .406 X 1.5 X .1875
19	56413024	1	Brake-Ccw Rh
20	56413025	1	Brake-Cw Lh
21	56413293	2	Rotor
22	56413498	2	Spacer-Bushing .410x.500x.280
23	56413500	1	Equalizer
24	56413501	1	Yoke
25	56413598	1	Linkage, Brake
26	56413812	2	Spring_Ng
27	56414062	2	Wheel-Rear-14in-3.5in
[ ]	56414064	4	Bearing-Ball-30mm X62mm X 16mm for 56414062 (2 per wheel)
28	56414076	1	Bushing .257 X .375 X .265
29	56414089	1	Link-Brake
30	56414090	1	Lever-Brake
31	56414092	1	Stop-Lever
32	56414093	1	Spacer-Lever
33		1	Brake Pedal Assy (#35-57)
34	56453849	1	Bushing .26x.37x.28
35	56001939	2	Wsh, Flt Sae 5/16
36	56002098	2	Wsh, Flt Sae 1/4
37	56002929	3	Scr-Hex Hd Loc 5/16-18x.62
38	56003350	3	Nut-Hex M6-1
39	56003389	1	Nut-Hex Nyl Loc M8-1.25
40	56003398	1	Scr-Hex M8-1.25 X 60mm
41	56003403	3	Nut-Hex Nyl Loc M6-1
42	56003420	2	Scr-Hex M6-1 X 35mm
43	56003430	2	Scr-Hex Ss M6-1 X 25mm
44	56009122	1	Wsh, Flt .344 X .938 X .125
45	56009123	1	Nut, Push Cap 3/8
46	56009142	1	Nut, Hex Machine 1/4-28
47	56228052	1	Bushing .31x.50x.53
48	56397348	1	Spring, Extension
49	56407133	1	Yoke, Clevis
50	56413211	2	Bearing, Flange .625 X .500 X .250
51	56413508	1	Pulley
52	56413787	1	Spacer
53	56413888	1	Bushing .265 X .375 X .180
54	56414105	1	Brake Pedal Weldt
55	56414107	1	Pawl-Lever
56	56414127	1	Cable Assy
57	56414153	1	Bracket-Brake Pedal

[ ] = Not Shown

RECOVERY SYSTEM



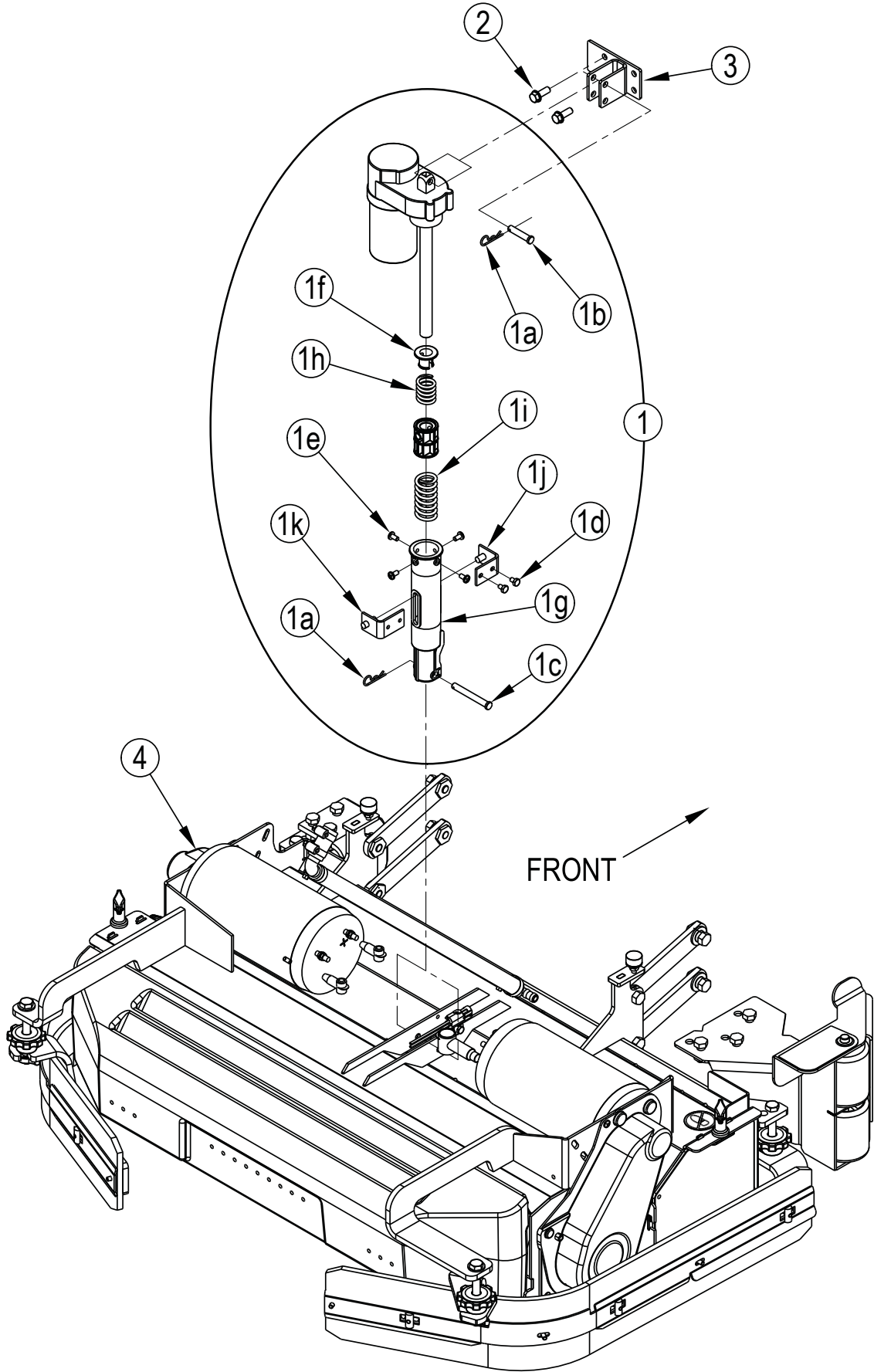


## RECOVERY SYSTEM

Item	Ref. No.	Qty	Description	Item	Ref. No.	Qty	Description
1	56391807	1	Foam, Acoustical	34	56413377	1	Hose, Squeegee Vac
2	56001939	3	Wsh, Flt SAE 5/16	35	56413404	2	Arm, Lid Hinge
3	56002066	4	Scr, Pan Phil 1/4-20 x .62	36	56413555	1	Hinge Plate, Right
4	56002507	1	Scr, Pan Phil 1/4-20 x .75	37	56413577	1	Panel, Exhaust
5	56002098	2	Wsh, Flt SAE 1/4	38	56413589	1	Prop
6	56002624	1	Scr, Soc Shd .38 x 1.25 x 5/16-18	39	56413960	1	Bumper-Right Rear
7	56002708	5	Nut, Hex Nyl Loc 1/4-20	40	56413961	1	Bumper-Left Rear
8	56002905	5	Scr Pan Phil SS 1/4-20 X 1.50	41	56414192	1	Recovery Lid Gasket Assy
9	56002788	4	Scr, Pan Phil 1/4-20 x 2.25	42	56413458	1	Plate, Cable Mount
10	56002859	4	Wsh, Flt SAE SS 1/4	43	56382992	1	Cable Assy-Quick Link-19.5 IN
11	56002896	8	Scr, Pan Phil SS 10-24 x .62	44	56413800	3	Bushing .32x.50x.18
12	56002938	4	Wsh, Flt SAE SS 5/16	45	56413801	1	Bushing .32x.50x.35
13	56002989	4	Scr, Pan Phil SS 1/4-20 x .62	46	56440213	1	Clamp, Hose SAE #32
14	56003003	2	Scr, Pan Phil 5/16-18 X .62	47	56456797	2	Clamp, Hose SAE #36
15	56003012	4	Scr, Hex SS 5/16-18 X .75	48	56477613	1	Tie, Cable
16	56003014	4	Scr, Pan Phil Ss 5/16-18 X .75	49	56478246	1	Tie, Cable
17	56003696	4	Wsh, Flt SS .33 X 1.00 X.060	50	56324497	2	Cage, Float
18	56009225	4	Wsh, Fender .281x1.50x.074	51	56391690	1	Ball, Float
19	56212236	4	Clamp, Plastic	52	56009191	2	Scr, Pan Phil Plastite 10-14 X .50
20	56314488	1	Muffler, Vac	53	56009210	2	Scr, Pan Phil Type B 1/4-14 X .62
21	56314760	1	Gasket, Vacuum Duct	54	56314400	1	Wire Rope, 9 Inch
22	56315141	2	Mount, Vibration	55	56109539	1	Vac Filter Lid
23	56368989	1	Bushing	57	56413155	1	Top, Recovery Tank
24	56410065	1	Vac Motor Assy (M5)	58	56413194	1	Screen, Filter
25	56413091	1	Lid, Recovery Tank	59	56413195	1	Filter
26	56413150	1	Tank, Recovery	60	56413408	1	Plate, Vac Cover
27	56381937	1	Drain Hose Ribbed	61	56413416	1	Gasket, Vac Fan Top
*	56601411	1	Drain Hose Cap Kit	62	56383979	1	Gasket-Strip-59x.5x.25
28	56413163	1	Mount, Recovery Tank	63	56003923	5	Wsh-Flt SS .266 X .906 X .060
29	56413171	1	Hose, Vac 2.00 X 42.00 X 975018	64	56009005	2	Scr Panphils Type Ab 10-16x.75
31	56382651	1	Seal Assembly Vac Fan	65	56414134	1	Deflector-Water
32	56413196	1	Top Cover Assy (50-61)	66	56414176	1	Gasket-Strip .12x.5x7.5
[33]	56383247	1	Harness-Recovery Tank				

[ ] = Not Shown

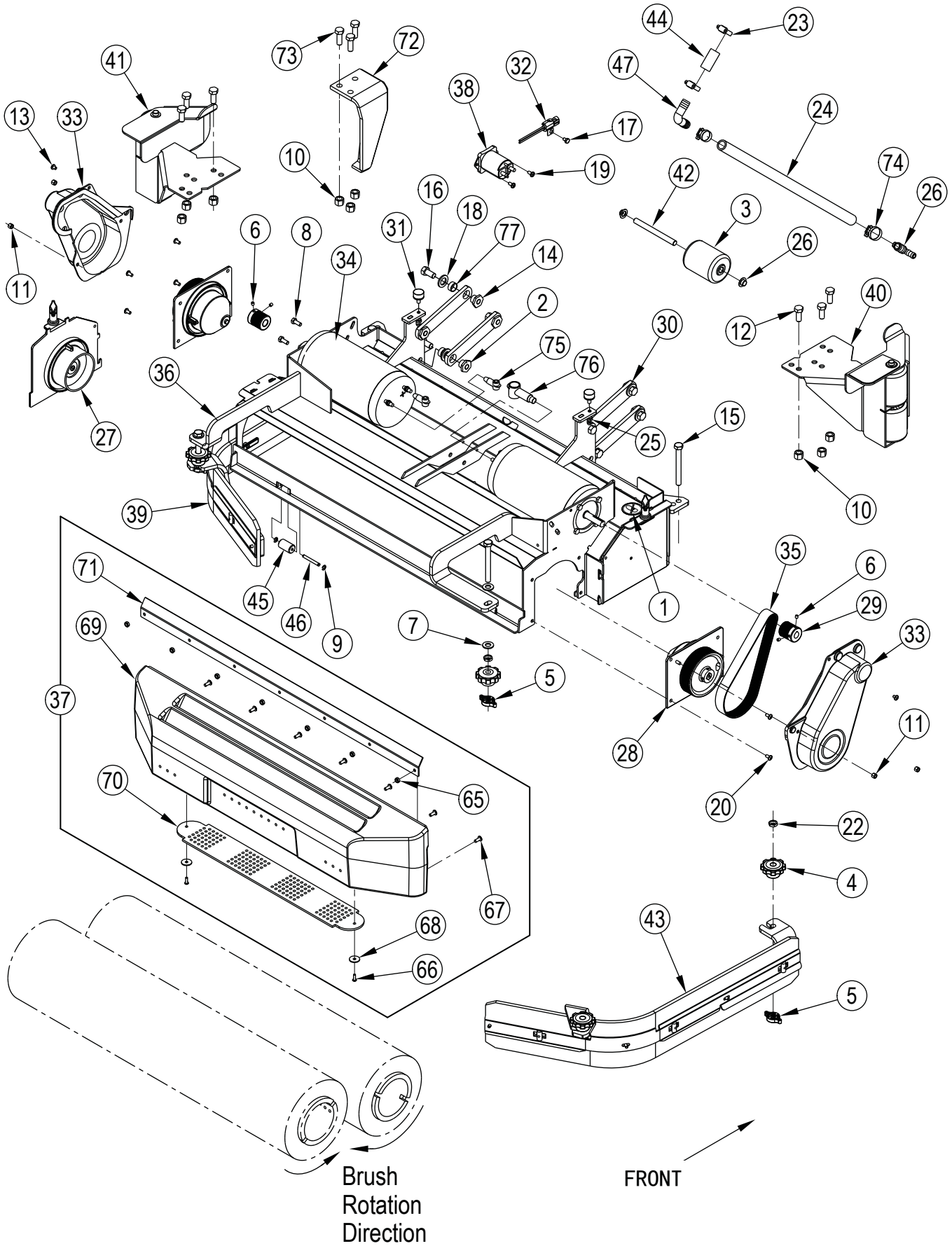
### SCRUB SYSTEM-CYLINDRICAL



## SCRUB SYSTEM-CYLINDRICAL

Item	Ref. No.	Qty	Description
1	56383970	1	Deck Actuator Kit (M2)
1a	56003120	2	Pin, Cotter Hair .0915 X .375
1b	56003597	1	Pin-Clevis .375 X 1.75
1c	56003704	1	Pin-Clevis .38 X 3.00
1d	56009019	2	Scr, Hex Thd Form 1/4-20 X .38
1e	56009062	4	Scr, Pan Phil Thd Form 1/4-20 X .50
1f	56383887	1	Cap-Actuator Spring
1g	56412262	1	Housing Spring
1h	56413828	1	Spring, Upper Housing
1i	56413829	1	Spring, Lower Housing
1j	56420019	1	Nut Retainer
1k	56420020	1	Nut Retainer
2	56002256	2	Scr, Hex Type 1 3/8-16 X 1.00
3	56413455	1	Mount Weldment
4	56414119	1	40 In Cyl Scrub Assy
	56414121	1	45 In Cyl Scrub Assy
	56414120	1	48 In Cyl Scrub Assy

SCRUB SYSTEM-CYLINDRICAL-SCRUB ASSY



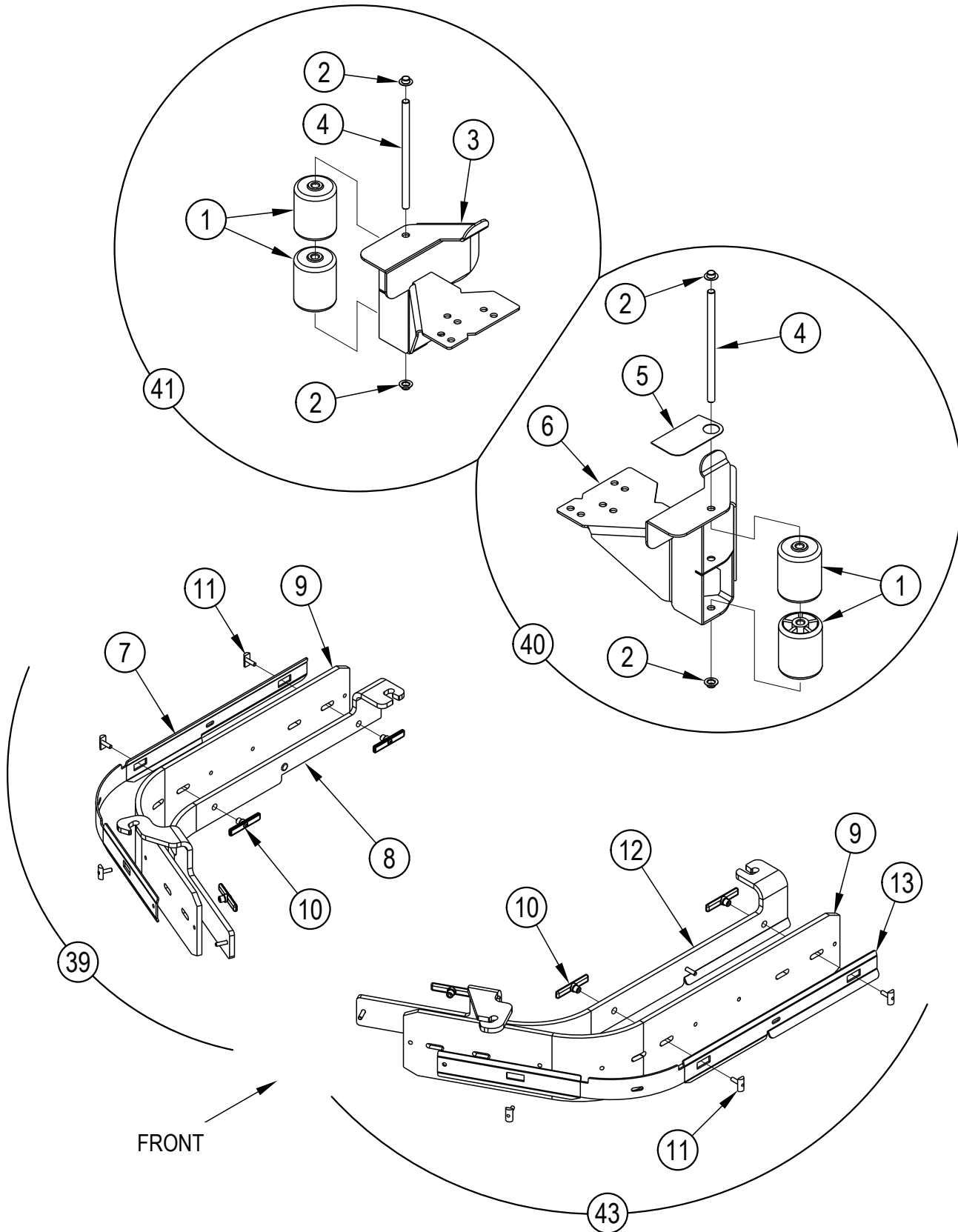
## SCRUB SYSTEM-CYLINDRICAL-SCRUB ASSY

Item	Ref. No.	Qty	Description	Item	Ref. No.	Qty	Description
	56414119	1	40 In Cyl Scrub Assy	38	56413516	1	Contact, 36vdc 200A (K3)
	56414121	1	45 In Cyl Scrub Assy	39	56413871	1	Left Skirt Assembly (40")
	56414120	1	48 In Cyl Scrub Assy		56413556	1	Left Skirt Assembly (45" & 48")
1	56016163	2	Decal, No Step	40	56414139	1	Right Guard Assy
2	56367206	8	Bushing	41	56414140	1	Left Guard Assy (45" & 48")
3	56407006	2	Wheel, Roller	42	56413596	2	Pin
4#	56380149	4	Knob-M12-1.75 Thru	43	56413609	1	Right Skirt Assembly
5	56601578	4	Knob	44	56413813	1	Hose, .75 Clear PVC
6	56001841	4	Scr, Soc Set Loc 1/4-20 X .25	45	56413817	2	Roller, Rear
7	56001879	4	Wsh, Flt SAE 1/2	46	56413818	2	Pin
8	56003179	8	Scr-Hex Thd to Hd M8-1.25 x 20mm	47	56900272	1	Barb, 3/4 90 Deg. Elbow
9	56003268	4	Ring, Ret Ext Type E Reinf. 0.25 Dia	48	56414161	1	Knob-Thumb Nut
10	56003312	14	Nut, Hex Nyl Loc M12-1.75	49	56009199	1	Wsh, Flt Brass .266 x 1.250 x .125
11	56003403	6	Nut, Hex Nyl Loc M6-1	50	56009069	1	Scr, Pan Phil Loc 1/4-20 X .50
12	56003418	6	Scr, Hex M12-1.75 X 30mm	51	56111531	1	Bearing- Ball
13	56003627	2	Scr, Pan Phil M6-1 X 16mm	52	56109572	1	Broom Hanger
14	56003637	8	Scr, Hex M12-1.75 X 40mm	53	56109690	1	Idler, Brush
15	56003707	4	Scr, Hex Thd To Hd M12-1.75 X 110mm	54	56003314	1	Ring, Retainer
16	56009017	8	Wsh, Flt Harden .516x.938 X.75	55	56003155	1	Scr, Hex M6-1 X 12mm
17	56009019	1	Scr, Hex Thd Form 1/4-20 X .38	56	56003238	2	Key, Sq .19 X .78
18	56009022	8	Wsh, Flt .754 X 1.250 X .120	57	56009060	1	Wsh, Flt SS .260 X 1.000 X .074
19	56009062	2	Scr, Pan Phil Thd Form 1/4-20 X .50	58	56002930	2	Scr, Soc Set Loc 1/4-20 X .38
20	56009069	8	Scr, Pan Phil Loc 1/4-20 X .50	59	56303050	2	Bearing, Ball
21	56009097	4	Nut, Push Cap 1/2	60	56109573	1	Broom Hanger
22	56009258	4	Nut, Hex Jam M12-1.75	61	56414122	1	Sheave, Poly V
23	56112771	4	Clamp, Hose SAE #10	62	56413620	1	Shaft, Broom Drive Lug
24	56303394	1	Hose, Spiral .75 x 25.00	63	56109628	1	Drive Lug
25	56304586	8	Bearing .750 X .625 X .500	64	56413877	1	Spacer
26	56305760	1	Tee, Barb 3/4 X 1/2 X 1/2	65	56002850	7	Nut, Hex Nyl Loc-Thin Ss 1/4-20
27	56414164	2	Broom Idler Assy (48-54)	66	56002896	2	Scr, Pan Phil SS 10-24 X .62
28	56414123	2	Broom Drive Lug Assy (55-64)	67	56002989	7	Scr, Pan Phil SS 1/4-20 X .62
29	56414124	2	Sheave, Poly V	68	56009060	2	Wsh, Flt SS .260 X 1.000 X .074
30	56413302	2	Arm Parallel 6 In	69	56413333	1	Hopper, 40 In. (40")
31	56413303	2	Arm, Adjustable Assy		56413444	1	Hopper, 45 In. (45")
32	56413393	1	Resistor Assy, 10k Ohm (40" / R2)		56413348	1	Hopper, 48 In. (48")
	56413391	1	Resistor Assy, 40k Ohm (45" & 48" / R2)	70	56413338	1	Screen, Hopper-40 In. (40")
33	56414178	2	Belt Guard Assy		56413446	1	Screen, Hopper-45 In. (45")
34	56382654	2	Kit 36VDC 1.5HP Motor (M9 / M10)		56413349	1	Screen, Hopper-48 In. (48")
[ ]	56381479	1	Kit Brush Amer Motor (for 56382654)	71	56413339	1	Threshold, Hopper-40 In. (40")
35	56414125	2	Belt-Auto Tension		56413447	1	Threshold, Hopper-45 In. (45")
36	56413962	1	Cyl Scrub Deck Weldt-40 (40")		56413350	1	Threshold, Hopper-48 In. (48")
	56413963	1	Cyl Scrub Deck Weld't-45 (45")	72	56413965	1	Roll Bar Weldt (40")
	56413964	1	Cyl Scrub Deck Weld't-48 (48")	73	56003415	3	Scr, Hex M12-1.75 x 35mm (40")
37	56413331	1	Hopper Assembly-40 (40") (65-71)	74	56244969	1	Clamp, Hose SAE #12
	56413443	1	Hopper Assembly-45 (65-71)	75	56409538	3	Insulator, Terminal
	56413346	1	Hopper Assembly-48 (48") (65-71)	76	56493357	1	Insulator, Terminal
				77	56380152	8	Bearing IGUS

[ ] = Not Shown

# = Revised or new since last update

### SCRUB SYSTEM-CYLINDRICAL-SKIRT & BUMPER ASSY

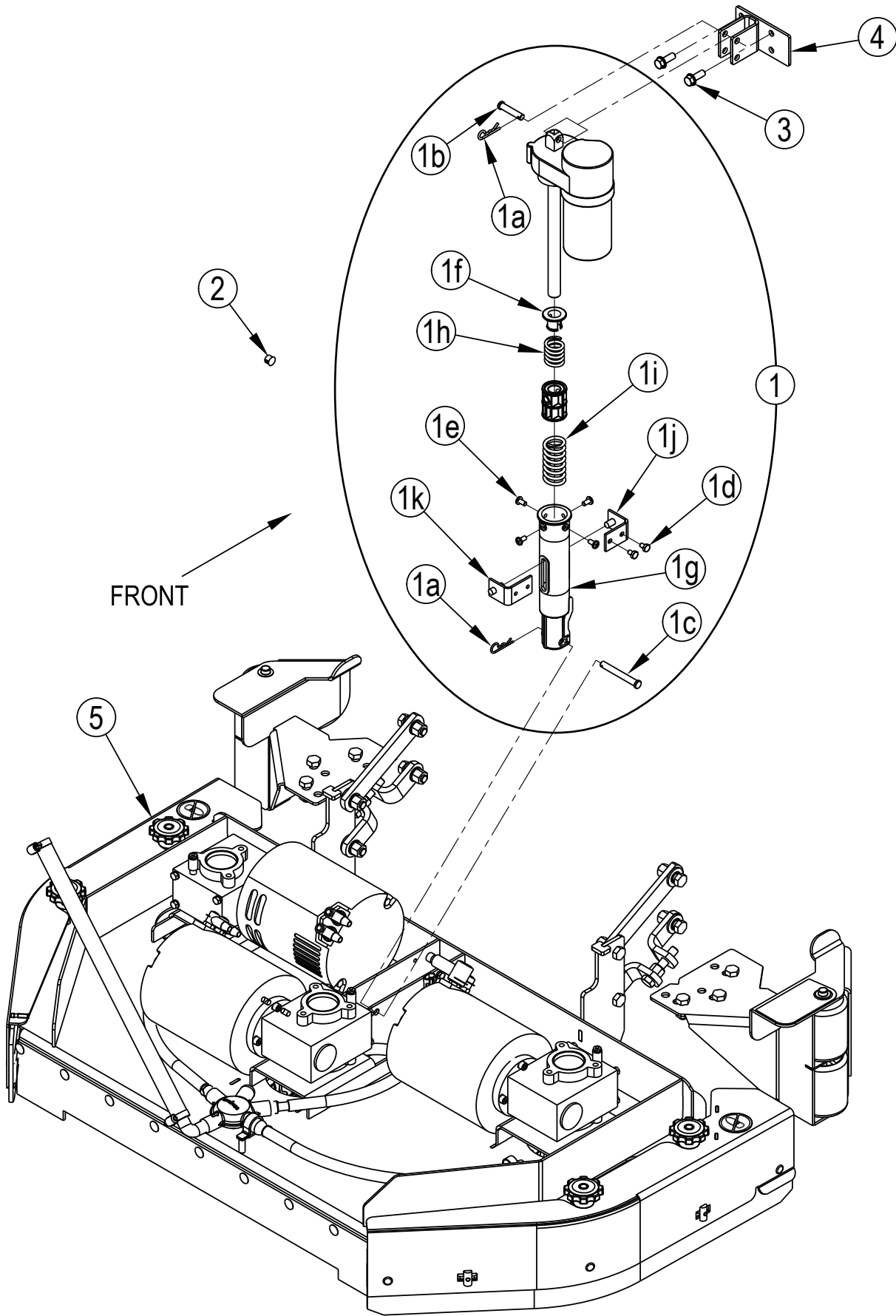


## SCRUB SYSTEM-CYLINDRICAL-SKIRT & BUMPER ASSY

Item	Ref. No.	Qty	Description
39	56413871	1	Left Skirt Assembly (#7-11 / 40")
39	56413556	1	Left Skirt Assembly (#7-11 / 45" & 48")
40	56414139	1	Right Guard Assy (#1, 2, 4, 5, 6)
41	56414140	1	Left Guard Assy (#1-4 / 45" & 48")
43	56413609	1	Right Skirt Assembly (#9-13)
1	56407006	4	Wheel, Roller
2	56009097	4	Nut, Push cap 1/2
3	56414136	1	Left Guard Weldt
4	56413590	2	Pin
5	56413721	1	Grip Surface
6	56414135	1	Right Guard Weldt
7	56413860	1	Strap, Skirt-LT
8	56413969	1	Left Bracket Weldt-40 (40")
	56413970	1	Left Bracket Weldt 45-48 (45" & 48")
9	56413654	2	Skirt, Linatex
*	56413820	2	Skirt, Gum Rubber
*	56413743	2	Skirt, Polyurethane
10	56413717	6	Thumb Nut
11	56413850	6	Skirt Retainer Assy
12	56413971	1	Right Bracket Weldt
13	56413857	1	Strap, Skirt-RT

\* = Optional, Not Included

### SCRUB SYSTEM-DISK





## SCRUB SYSTEM-DISK

Item	Ref. No.	Qty	Description
1	56383970	1	Deck Actuator Kit (M2)
1a	56003120	2	Pin, Cotter Hair .0915 X .375
1b	56003597	1	Pin-Clevis .375 X 1.75
1c	56003704	1	Pin-Clevis .38 X 3.00
1d	56009019	2	Scr, Hex Thd Form 1/4-20 X .38
1e	56009062	4	Scr, Pan Phil Thd Form 1/4-20 X .50
1f	56383887	1	Cap-Actuator Spring
1g	56412262	1	Housing Spring
1h	56413828	1	Spring, Upper Housing
1i	56413829	1	Spring, Lower Housing
1j	56420019	1	Nut Retainer
1k	56420020	1	Nut Retainer
2	56323560	1	Plug, Cap
3	56002256	2	Scr, Hex Type 1 3/8-16 X 1.00
4	56413455	1	Mount Weldment
5	56414165	1	Scrub Assembly-40 In Disk
	56414166	1	Scrub Assembly-45 In Disk
	56414167	1	Scrub Assembly-48 In Disk



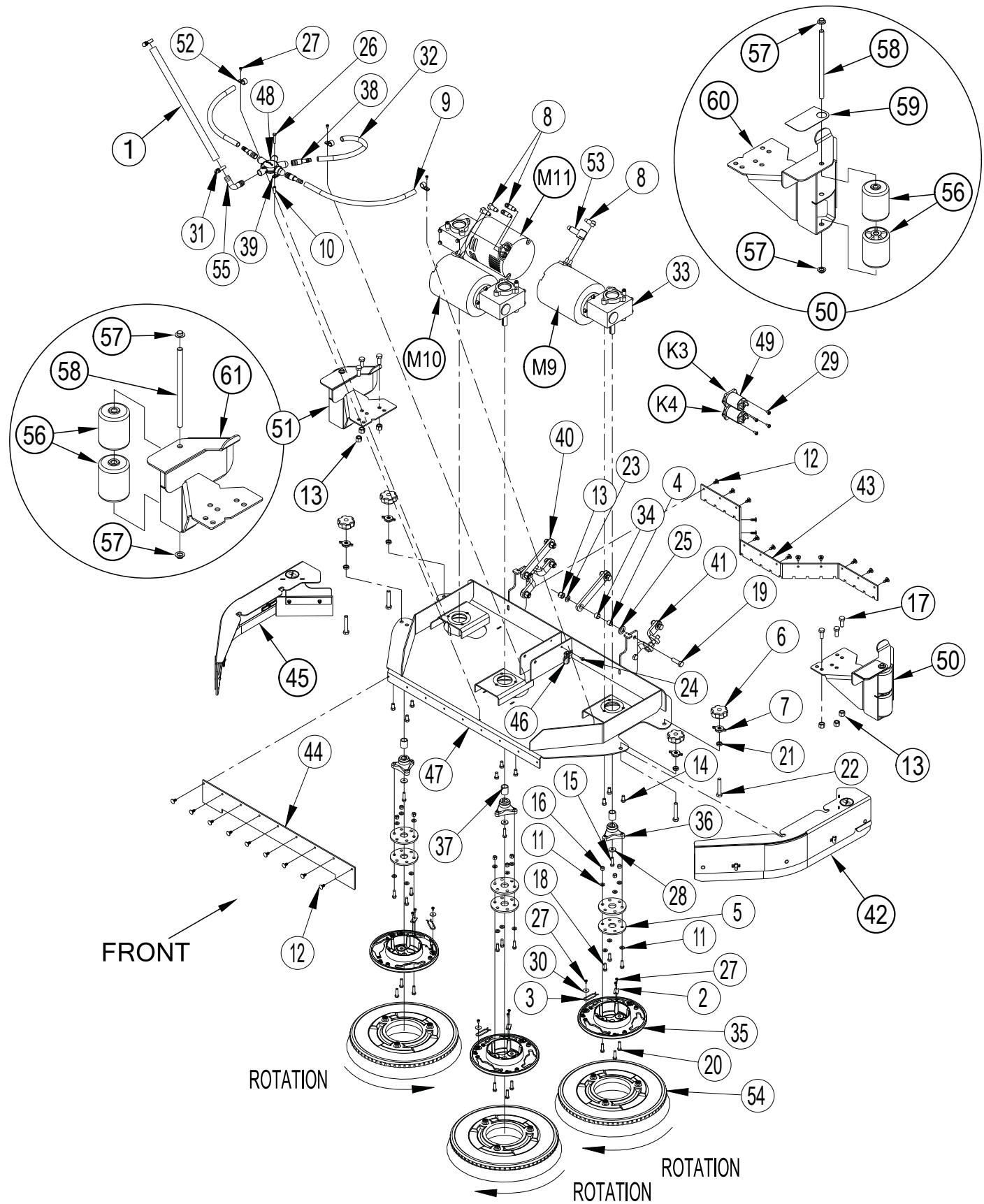
## SCRUB SYSTEM-DISK-40 INCH SCRUB ASSY

Item	Ref. No.	Qty	Description	Item	Ref. No.	Qty	Description
	56414165	1	Scrub Assembly-40 In Disk	33	56314109	2	Spacer
1	56264262	1	Hose	34	56315625	2	Barb, Coupler 1/2 X 3/4
2	56366455	2	Plate, Stop	35	56410223	1	Clamp, P
3	56366463	2	Spring Retainer	36	56413302	2	Arm Parallel 6 In
4	56367206	8	Bushing	37	56413303	2	Arm, Adjustable Asm
5	56383238	4	Brush Drive Disc	38	56413318	1	Blade, Front
6#	56380149	4	Knob-M12-1.75 Thru	39	56413319	1	Blade, Rear
7	56601578	4	Knob	40	56413966	1	Weldment-40 Disk
8	56409538	1	Insulator, Terminal	41	56413336	1	Gearbox Assembly, 20» (M9)
9	56471220	1	Bushing	[ ]	56410182	1	Bearing B.E. (for 56413336)
10	56002938	12	Wsh, Flt Sae Ss 5/16	[ ]	56410183	1	Bearing F.E. (for 56413336)
11	56003263	16	Rivet, Nylon Tree Push-In (.25)	[ ]	56412266	1	Brush Board Assy (for 56413336)
12	56003450	14	Nut Hx Nyl Loc SS M12-1.75	[ ]	56407500	1	Brush Assy Kit (for 56413336)
13	56002885	6	Scr, Hex SS 3/8-16 X .75	[ ]	56389395	1	Brush Spring Set (for 56413336)
14	56003372	2	Scr, Hex Loc Ss 5/16-18 X 1.25	[ ]	56407196	1	Gearbox (for 56413336)
15	56003405	6	Nut, Hex Nyl Loc Ss M8-1.25	42	56413390	1	Resistor Assy, 1k Ohm (R2)
16	56003905	3	Scr-Hex SS M12-1.75 X 30mm	43	56413426	1	Manifold, Solution
17	56003477	6	Scr, Hex Loc Ss M8-1 X 25mm	44	56414139	1	Right Guard Assy (#52-56)
18	56003906	8	Scr-Hex SS M12-1.75 X 40mm	45	56413307	1	Right Skirt Assembly
19	56003639	6	Scr, Hex Ss M8-1.25 X 30mm	46	56413313	1	Left Skirt Assembly
20	56003657	4	Nut, Hex Jam Ss M12-1.75	47	56442003	2	Clamp,P
21	56003658	4	Scr, Hex Thd To Hd Ss M12-1.75 X 70mm	48	56459064	2	Hose, PVC Clear 21.00 In.
22	56009017	8	Wsh, Flt Harden .516x.938 X.75	49	56493357	1	Insulator, Terminal
23	56009019	1	Scr, Hex Thd Form 1/4-20 X .38	50	56505794	2	Brush Prolene 20
24	56009022	8	Wsh, Flt .754 X 1.250 X .120	51	56900272	1	Barb, 3/4 90 Deg. Elbow
25	56009028	1	Scr, Hex Thd Form 1/4-20 X 1.50	52	56407006	2	Wheel, Roller
26	56009030	8	Scr, Pan Phil Thd Form 10-24 X .38	53	56009097	2	Nut, Push Cap 1/2
27	56009057	2	Wsh, Flt Harden .344x1.000x.120/.135	54	56413590	1	Pin
28	56009096	2	Wsh, Flt .193 X .875 X .060	55	56413721	1	Grip Surface
29	56112771	2	Clamp, Hose Sae #10	56	56414135	1	Right Guard Weldt
30	56304586	8	Bearing .750 X .625 X .500	57	56413965	1	Roll Bar Weldt 40
31	56314030	2	Brush Holder	58	56003453	3	Scr Hex SS M12-1.75 X 35MM
32	56314108	2	Hub, Drive				

[ ] = Not Shown

# = Revised or new since last update

SCRUB SYSTEM-DISK-45 & 48 INCH SCRUB ASSY



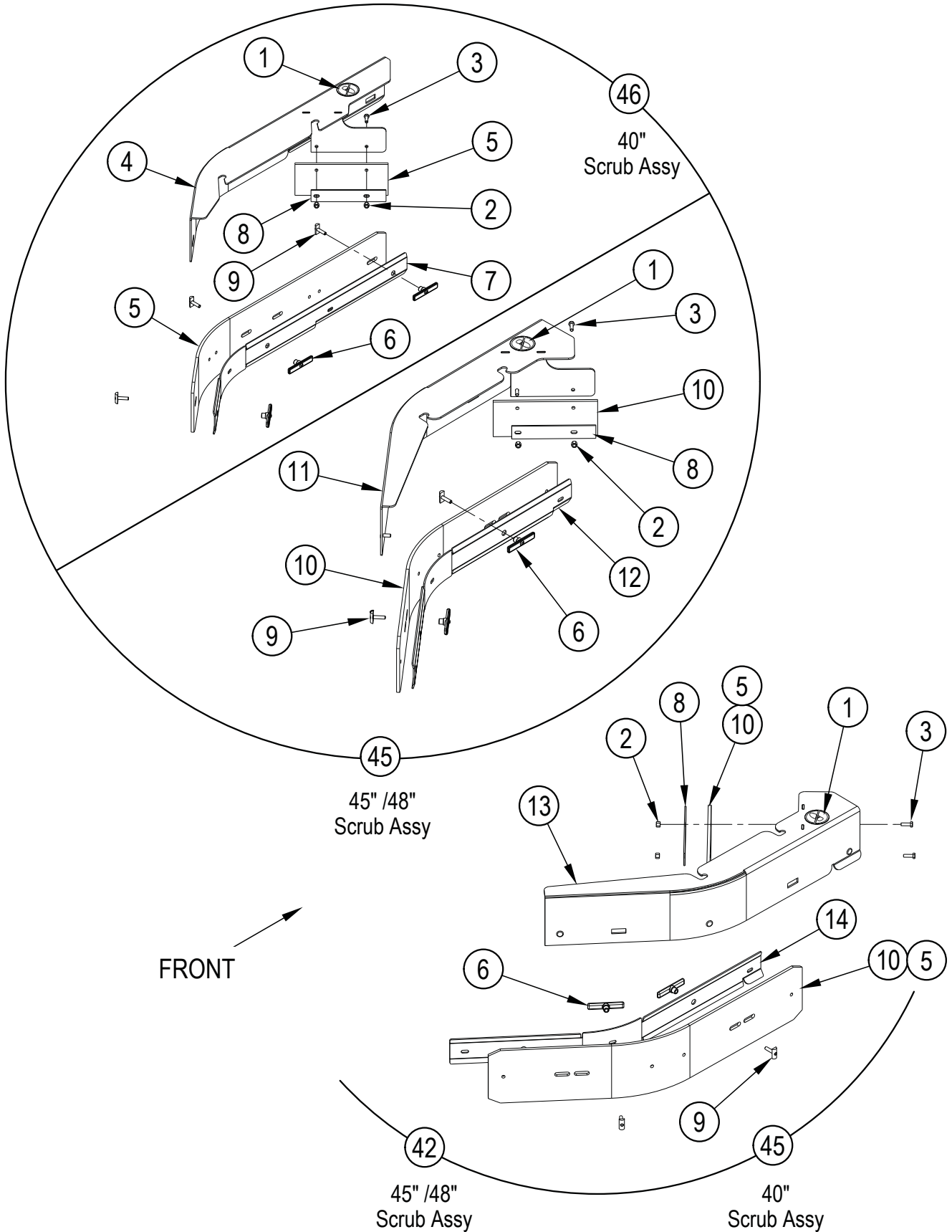
## SCRUB SYSTEM-DISK-45 & 48 INCH SCRUB ASSY

Item	Ref. No.	Qty	Description	Item	Ref. No.	Qty	Description
	56414166	1	Scrub Assembly-45 In Disk	33	56303083	3	Gearmotor ( <b>M9, M10, M11</b> )
	56414167	1	Scrub Assembly-48 In Disk	[ ]	56303444	4	Carbon Brush Assy ( <b>for 56303083</b> )
1	56264262	1	Hose	[ ]	56303419	4	Brush Spring ( <b>for 56303083</b> )
2	56366455	3	Plate, Stop	34	56304586	8	Bearing .750 X .625 X .500
3	56366463	3	Spring Retainer	35	56314030	3	Brush Holder
4	56367206	8	Bushing	36	56314108	3	Hub, Drive
5	56383238	6	Brush Drive Disc	37	56314109	3	Spacer
6#	56380149	4	Knob-M12-1.75 Thru	38	56315625	3	Barb, Coupler 1/2 X 3/4
7	56601578	4	Knob	39	56410223	1	Clamp, P
8	56409538	5	Insulator, Terminal	40	56413302	2	Arm Parallel 6 In
9	56459064	2	Hose, PVC Clear 21.00 In	41	56413303	2	Arm, Adjustable Assy
10	56471220	1	Bushing	42	56413307	1	Right Skirt Assembly
11	56002938	18	Wsh, Flt SAE SS 5/16	43	56413374	1	Blade Front
12	56003263	22	Rivet, Nylon Tree Push-In (.25)	44	56413379	1	Blade, Rear
13	56003450	14	Nut Hx Nyl Loc SS M12-1.75	45	56413381	1	Left Skirt Assembly
14	56002885	9	Scr, Hex SS 3/8-16 X .75	46	56413392	1	Resistor Assy, 20k Ohm ( <b>R2</b> )
15	56003372	3	Scr, Hex Loc SS 5/16-18 X 1.25	47	56413979	1	Weldment-45 Disk Deck
16	56003405	9	Nut, Hex Nyl Loc SS M8-1.25		56413995	1	Weldment-48 Disk Deck
17	56003905	6	Scr-Hex SS M12-1.75 X 30MM	48	56413426	1	Manifold, Solution
18	56003477	9	Scr, Hex Loc SS M8-1 X 25mm	49	56413516	2	Contactora, 36vdc 200A ( <b>K3, K4</b> )
19	56003906	8	Scr-Hex SS M12-1.75 X 40MM	50	56414139	1	Right Guard Assy ( <b>#56-60</b> )
20	56003639	9	Scr, Hex SS M8-1.25 X 30mm	51	56414140	1	Left Guard Assy ( <b>#56-58 &amp; 61</b> )
21	56003657	4	Nut, Hex Jam SS M12-1.75	52	56442003	3	Clamp,P
22	56003658	4	Scr, Hex Thd To Hd SS M12-1.75 X 70mm	53	56493357	1	Insulator, Terminal
23	56009017	8	Wsh, Flt Harden .516x.938 X.75	54	56505834	3	Brush, Prolene 16 ( <b>45"</b> )
24	56009019	1	Scr, Hex Thd Form 1/4-20 X .38		56505784	3	Brush Prolene 17 ( <b>48"</b> )
25	56009022	8	Wsh, Flt .754 X 1.250 X .120	55	56900272	1	Barb, 3/4 90 Deg. Elbow
26	56009028	1	Scr, Hex Thd Form 1/4-20 X 1.50	56	56407006	2	Wheel, Roller ( <b>qty per assy</b> )
27	56009030	12	Scr, Pan Phil Thd Form 10-24 X .38	57	56009097	2	Nut, Push Cap 1/2 ( <b>qty per assy</b> )
28	56009057	3	Wsh, Flt Harden .344x1.000x.120/.135	58	56413590	1	Pin ( <b>qty per assy</b> )
29	56009062	4	Scr, Pan Phil Thd Form 1/4-20 X .50	59	56413721	1	Grip Surface
30	56009096	3	Wsh, Flt .193 X .875 X .060	60	56414135	1	Right Guard Weldt
31	56112771	2	Clamp, Hose SAE #10	61	56414136	1	Left Guard Weldt
32	56380543	1	Hose PVC Clear 15.00 In.				

[ ] = Not Shown

# = Revised or new since last update

SCRUB SYSTEM-DISK-SKIRT ASSY



## SCRUB SYSTEM-DISK-SKIRT ASSY

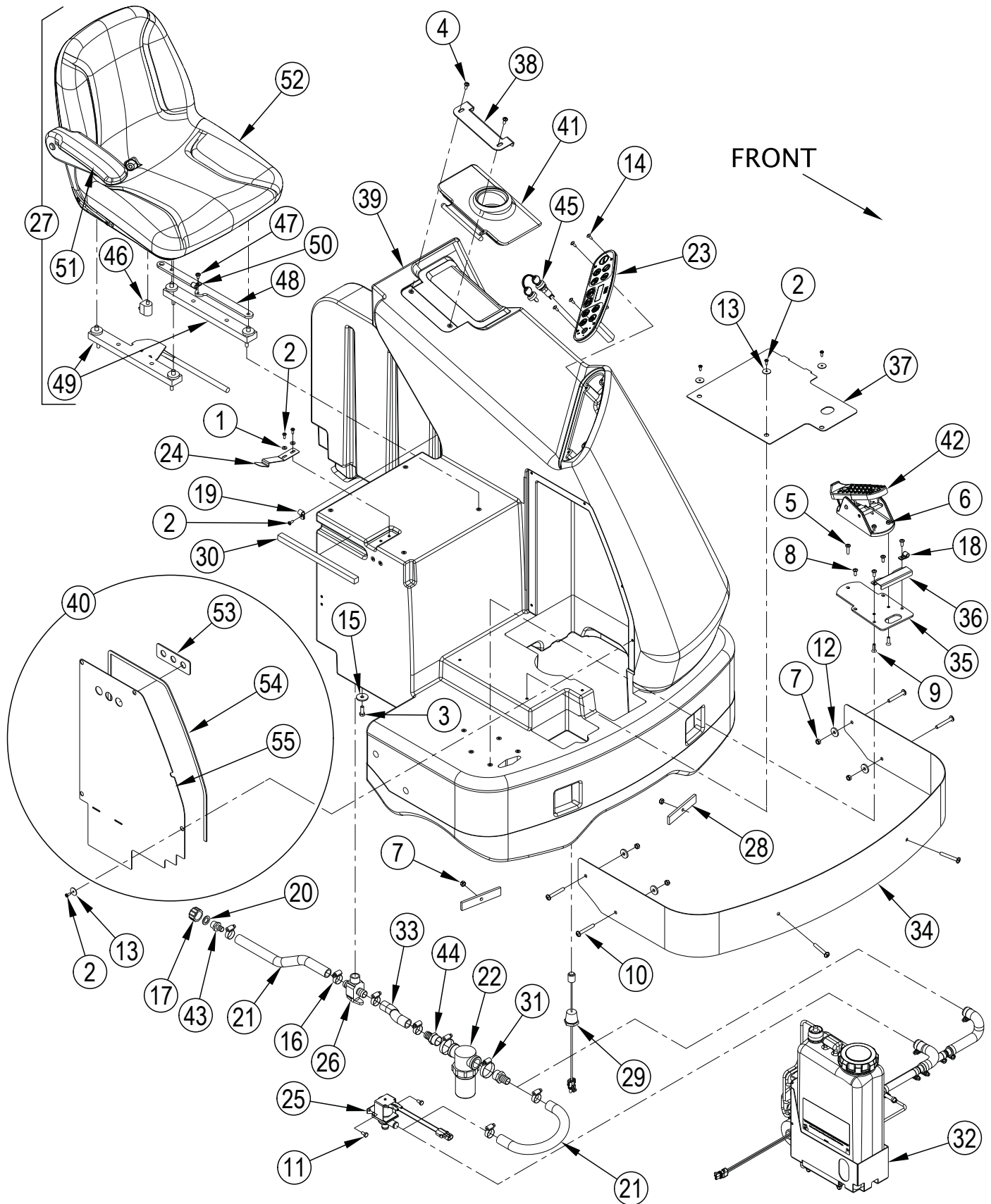
Item	Ref. No.	Qty	Description
45	56413307	1	Right Skirt Assembly (40")
46	56413313	1	Left Skirt Assembly (40")
42	56413307	1	Right Skirt Assembly (45" & 48")
45	56413381	1	Left Skirt Assembly (45" & 48")
1	56016163	1	Decal, No Step (qty per skirt assy)
2	56003426	2	Nut, Hex Nyl loc SS M6-1.00 (qty per skirt assy)
3	56003454	2	Scr, Hex Thd to Hd SS M6-1.00 x 20mm (qty per skirt assy)
4	56413980	1	Skirt Weldt-Left 40D (40")
5	56413768	1	Kit, Linatex 40 Disk Blade <b>NOTE 1</b>
*	56413767	1	Kit, Gum Rubber 40 Disk Blade <b>NOTE 1</b>
*	56413754	1	Kit, Polyurethane 40 Disk Blade <b>NOTE 1</b>
6	56413717	3	Thumb Nut (40" / qty per skirt assy)
	56413717	2	Thumb Nut (45" & 48" / qty per skirt assy)
7	56413981	1	Strap-Left 40D (40")
8	56413991	1	Strap (qty per skirt assy)
9	56413850	3	Skirt Retainer Assy (40" / qty per skirt assy)
	56413850	2	Skirt Retainer Assy (45" & 48" / qty per skirt assy)
10	56413770	1	Kit, Linatex (45" & 48") Disk Blade <b>NOTE 1</b>
*	56413769	1	Kit, Gum Rubber (45" & 48") Disk Blade <b>NOTE 1</b>
*	56413755	1	Kit, Polyurethane (45" & 48") Disk Blade <b>NOTE 1</b>
11	56413982	1	Skirt Weldt-Left 45D-48D (45" & 48")
12	56413983	1	Strap-Left 45D-48D (45" & 48")
13	56413984	1	Skirt Weldt-Right Disk (40", 45" & 48")
14	56413985	1	Strap-Right 40D-45D-48D (40", 45" & 48")

\* = Optional, Not Included

**NOTE 1:** All scrub deck blade kits include enough blades to replace all blades on both skirt assemblies.



SOLUTION SYSTEM





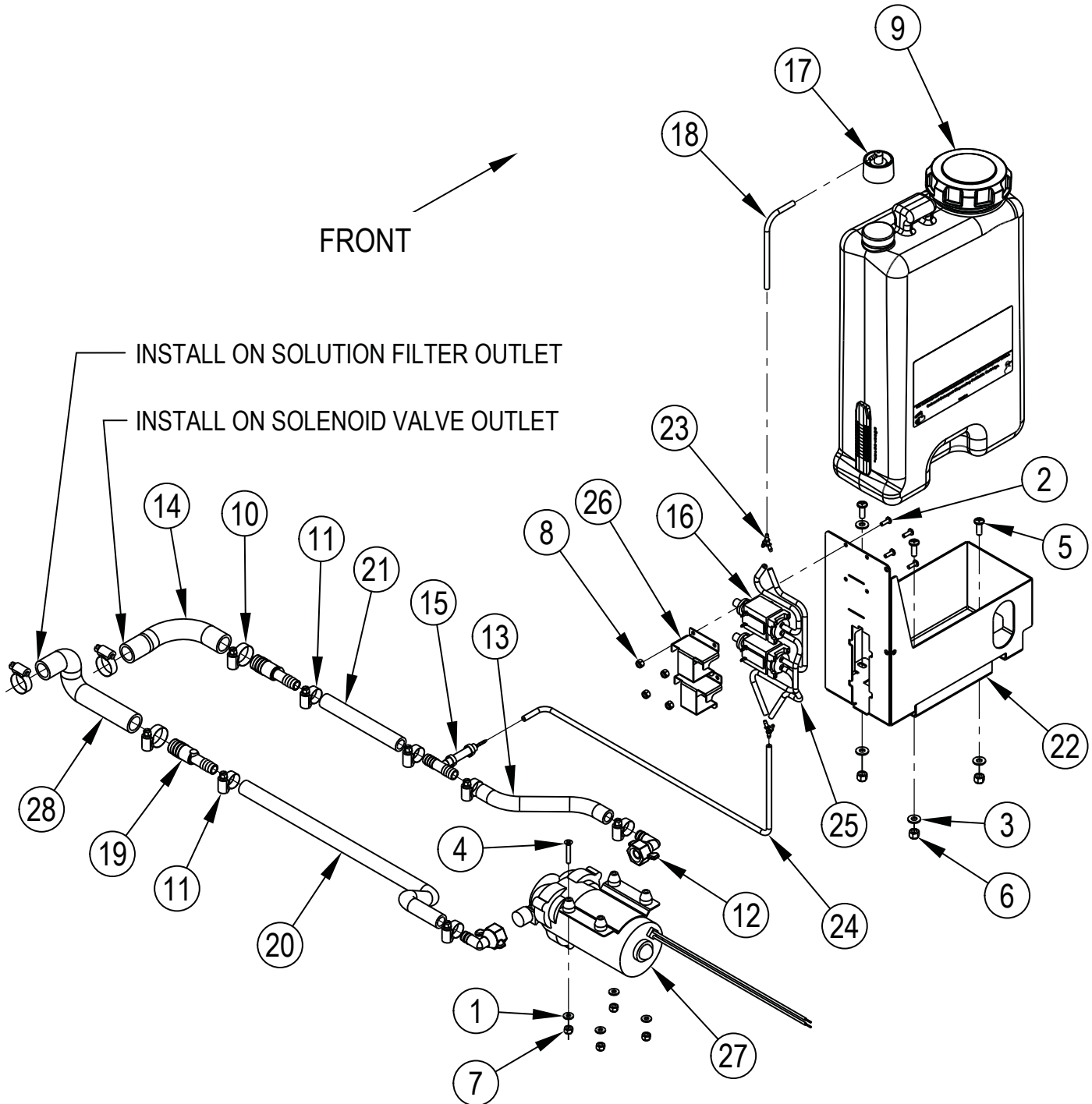
**SOLUTION SYSTEM**

Item	Ref. No.	Qty	Description	Item	Ref. No.	Qty	Description
1	56001954	2	Wsh, Flt Sae #10	30	56413811	1	Gasket, .62 X .62 X 11.50"
2	56001993	11	Scr-Pan Phil 10-24 X .50	31	56413839	2	Clamp- Hose Sae #20
3	56002037	4	Scr-Hex 5/16-18 X .88	32	56381105	1	Detergent Metering Assembly (see page 33)
4	56002066	2	Scr-Pan Phil 1/4-20 X .62	33	56413876	1	Hose .75 X 5.50
5	56002292	1	Scr-Pan Phil 1/4-20 X 1.00	34	56413975	1	Bumper-Front
6#	56002708	2	Nut, Hex Nyl Loc 1/4-20	35	56414066	1	Plate-Pedal Adapter
7	56002826	6	Nut, Hex Nyl Loc-Thin 5/16-18	36	56414067	1	Cover-Adapter
8	56002989	4	Scr-Pan Phil Ss 1/4-20 X .62	37	56414108	1	Floor Plate
9	56003086	2	Scr-Flt Phil Ss 1/4-20 X .88	38	56414109	1	Bracket-Lid Mount
10	56003718	6	Scr-Pan Phil 5/16-18 X 2.25	39	56414112	1	Solution Tank
11	56009033	2	Scr, Hex Thd Form 1/4-20 X .50	40	56414115	1	Electrical Panel Assy (53-55)
12	56009057	4	Wsh, Flt Harden .344x1.000x.120/.135	41	56414117	1	Solution Lid Assembly
13	56009096	8	Wsh, Flt .193 X .875 X .060	[ ]	56413682	1	Solution Lid Gasket
14	56009206	4	Scr-Truss Phil Blk 10-24x.50	42	56601052	1	Foot Pedal Assy (R1)
15	56009294	4	Wsh, Flt .354 X 1.247 X .120	43	56900273	1	Barb
16	56112771	6	Clamp- Hose Sae #10 (qty of 4 on EcoFlex models)	44	56900292	2	Barb, Adapter 3/4 X 3/4npt
17	56255076	1	Cap, Pipe Ght Nylon	45	1450372000	1	Key Switch (S1)
18	56323260	1	Clamp, Hose Support	[ ]	1462887000	1	Key, Replacement
19	56342319	1	Clamp-P	46	7-82-00050	1	Switch
20	56368776	1	Washer-Rubber	47	56003603	1	Scr, Pan Phil Thd Form 1/4-20 x .38
21	56392193	2	Hose, .75 X 14.00 (qty of 1 on EcoFlex models)	48	56109274	1	Strap
22	56407162	1	Filter	49	56109300	1	Slide, Seat
23	56381083	1	Touch Pad Asm (A3)	50	56323260	1	Clamp, Hose Support
[ ]	56383138	1	Panel Assembly (for 56381083)	51	56383189	1	Arm Rest Kit-R/H Only
24	56413482	1	Clip	52	56383292	1	Seat-11.25 In. Mount
25	56413510	1	Solenoid Valve Assy	53	56413625	1	Gasket, Panel
26	56413581	1	Valve, T Shutoff	54	56413626	1	Gasket, Circuit Break Er
27	56413619	1	Seat Mounting Assembly (46-52)	55	56414218	1	Cover-Electrical
28	56413653	2	Mount Plate, Bumper				
29	56413669	1	Switch, Liquid Level (S5)				

[ ] = Not Shown

# = Revised or new since last update

## SOLUTION SYSTEM-DETERGENT METERING KIT

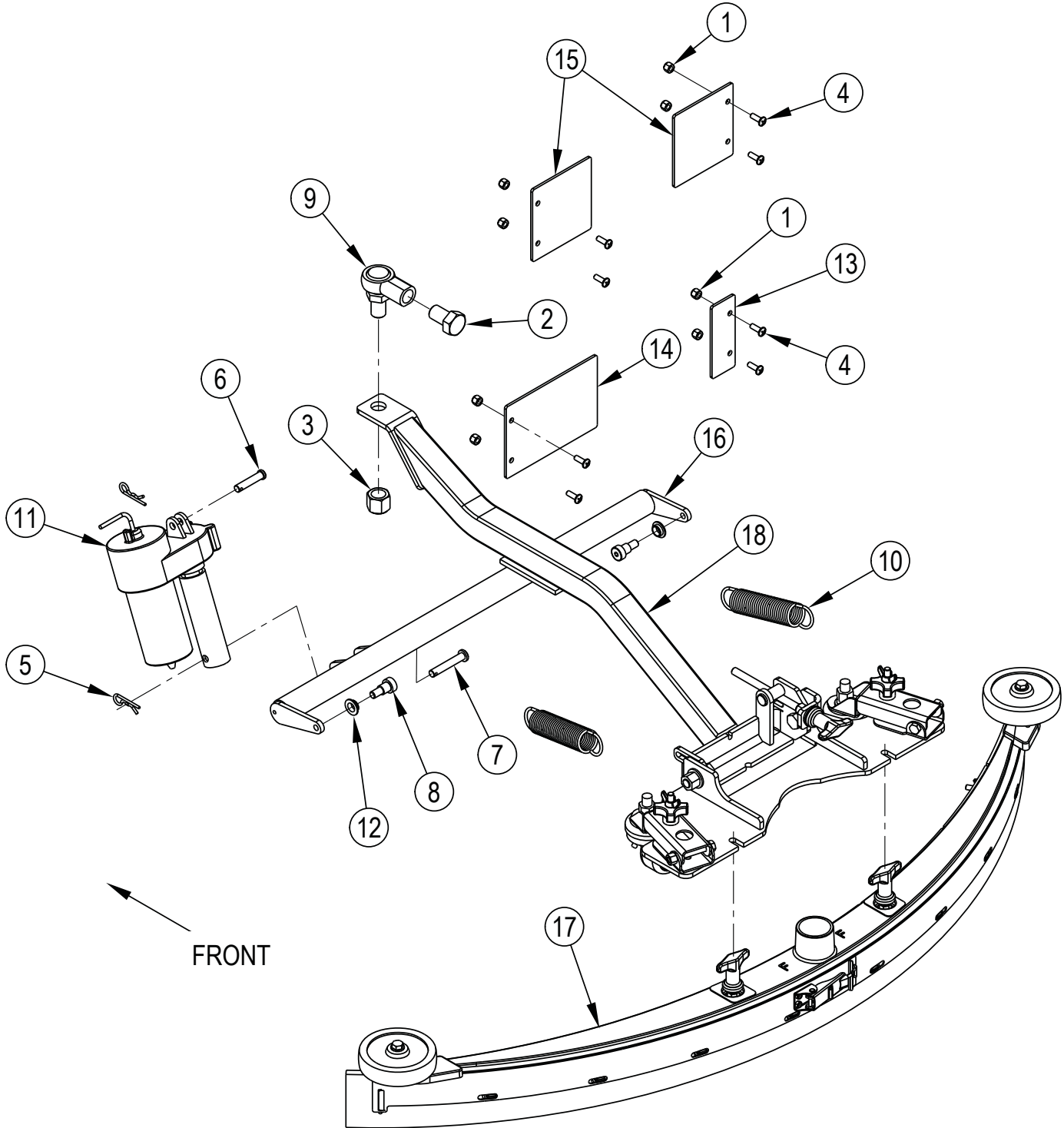


## SOLUTION SYSTEM-DETERGENT METERING KIT

Item	Ref. No.	Qty	Description
	56381105	1	Detergent Metering Assy
1	56001954	4	Wsh, Flt Sae #10
2	56002003	4	Scr-Pan Phil 8-32 X .50
3	56002098	4	Wsh, Flt Sae 1/4
4	56002136	4	Scr-Flt Phil 10-24 X 1.25
5	56002507	3	Scr-Pan Phil 1/4-20 X .75
6	56002708	3	Nut, Hex Nyl Loc 1/4-20
7	56002768	4	Nut, Hex Nyl Loc 10-24
8	56002808	4	Nut, Hex Nyl Loc 8-32
9	56111855	1	Chem Bottle Assy-Ecoflex
10	56112771	4	Clamp- Hose Sae #10
11	56219932	6	Clamp- Hose Sae #6
12	56261246	2	Elbow
13	56262180	1	Hose, Spiral .50
14	56305762	1	Hose, Spiral .750
15	56314983	1	Tee Assembly
16	56314984	2	Pump, Detergent <b>(M13 / M16)</b>
17	56315523	1	Cap, Dry Break, 1/8 Barb, 90
18	56315524	1	Hose, Chem Resistant, 7.50
19	56315625	2	Barb, Coupler 1/2 X 3/4
20	56412275	1	Hose, Spiral .50
21	56412276	1	Hose, Spiral .50
22	56413330	1	Plate, Mount, Chemical Meter
23	56413691	2	Fitting, Y, Barb, .125
24	56413692	1	Hose, Chem Resistant, 21.00
25	56413693	4	Hose, Chem Resistant, 5.00
26	56413775	2	Bracket, Pump Mount
27	56413810	1	Pump, 36vdc <b>(M12)</b>
28	56481452	1	Hose, Spiral .750
[ ]	56478246	2	Tie Cable

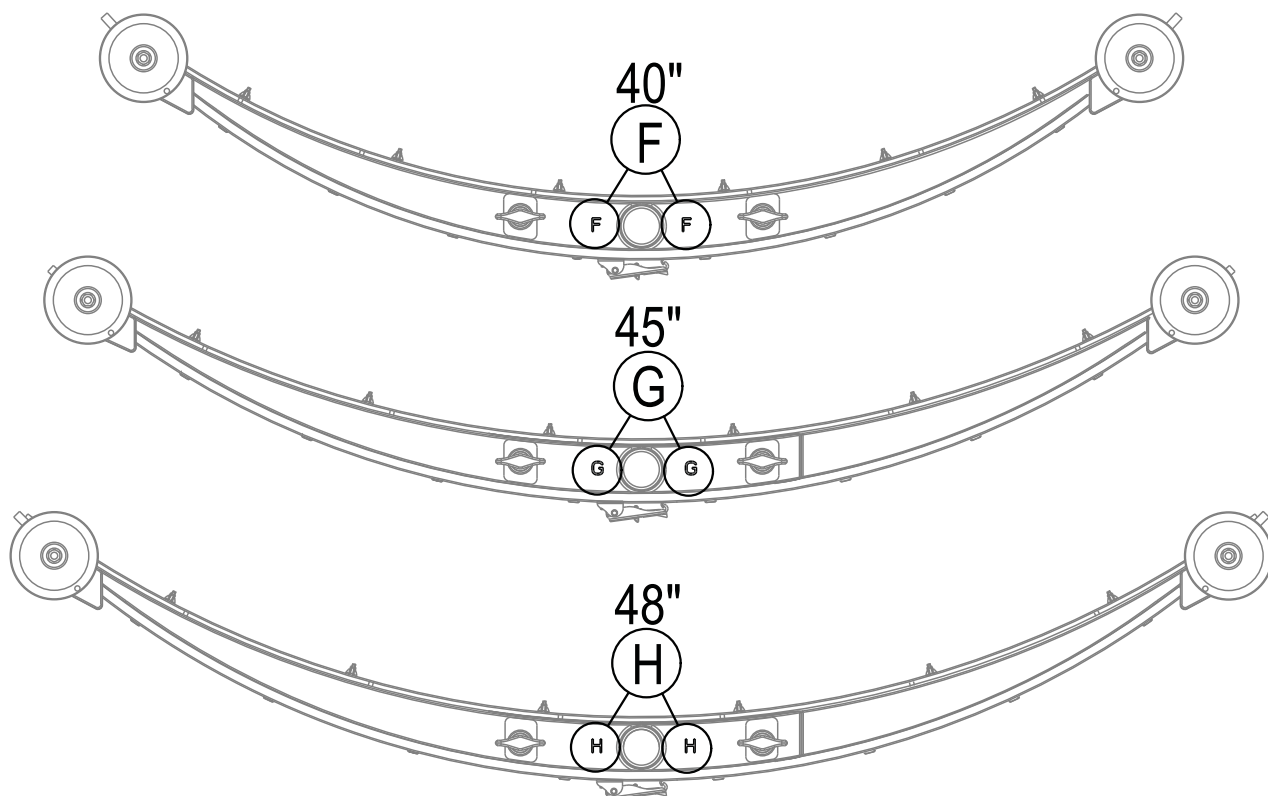
[ ] = Not Shown

**SQUEEGEE SYSTEM**

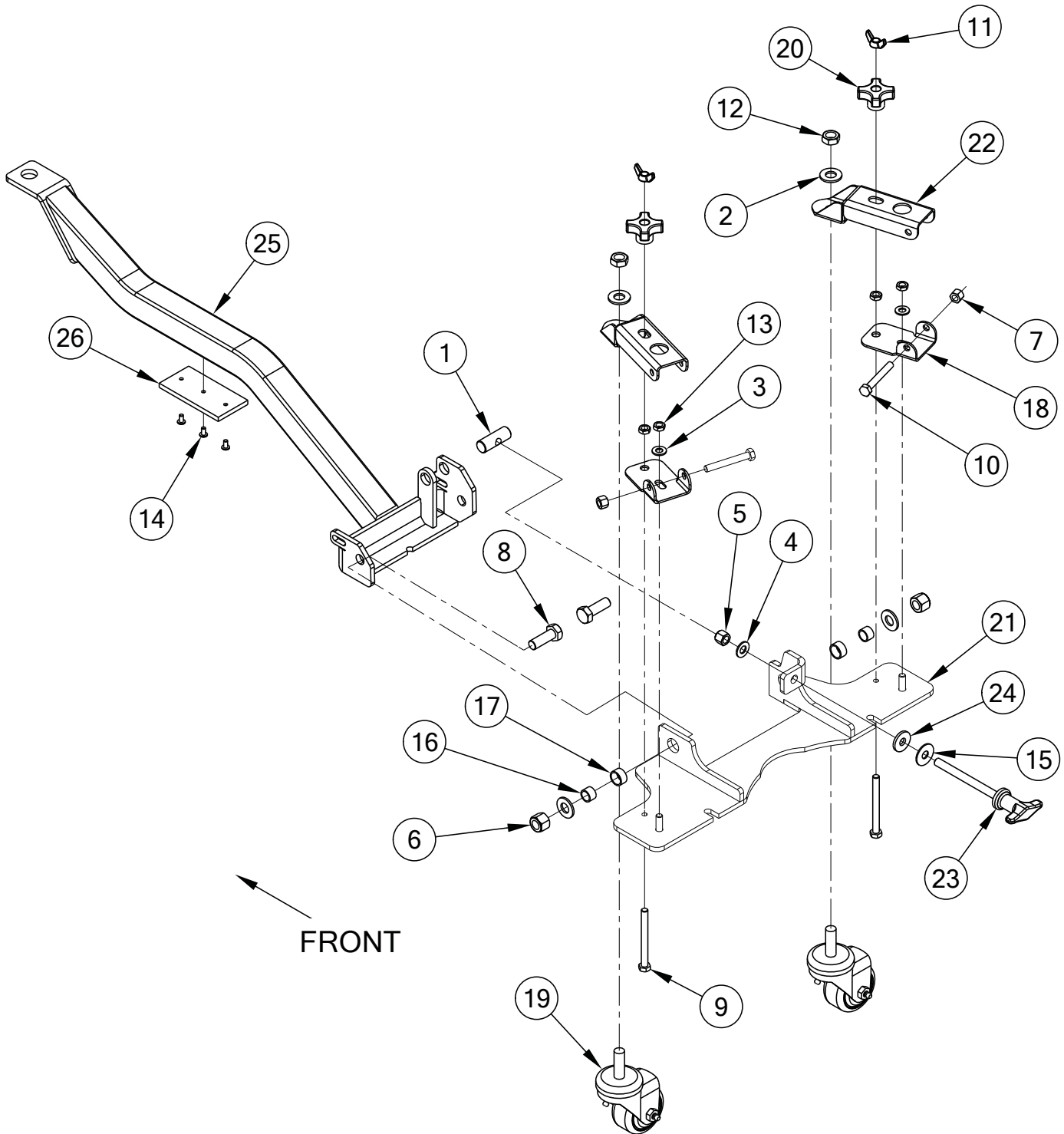


## SQUEEGEE SYSTEM

Item	Ref. No.	Qty	Description
1	56002491	4	Nut-Hex Nyl Loc Ss 1/4-20
2	56002739	1	Scr-Hex 3/4-16 X 1.25 Grade8
3	56002863	1	Nut, Hex Nyl Loc 3/4-16
4	56002957	4	Scr-Pan Phil Ss 1/4-20 X .75
5	56003222	2	Pin, Cotter Hair
6	56003597	1	Pin-Clevis .375 X 1.75
7	56003656	1	Pin-Clevis .375 X 2.25
8	56003912	2	Scr-Soc Shd Ss .50 X .50 X 3/8-16
9	56380431	1	Rod End
10	56412216	2	Spring, Extension
11	56413111	1	Actuator 36v (M3)
12	56413211	2	Bearing, Flange .625 X .500 X .250
13	56413776	1	Stop Plate, Small (40")
14	56413778	1	Stop Plate, Large (40")
15	56413777	2	Stop Plate, Medium (45" & 48")
16	56413994	1	Squeegee Lift Arm Weldment
17	56414159	1	Squeegee Assembly-F (40")
	56414154	1	Squeegee Assembly G (45")
	56414130	1	Squeegee Assembly H (48")
18		1	Squeegee Arm Assembly



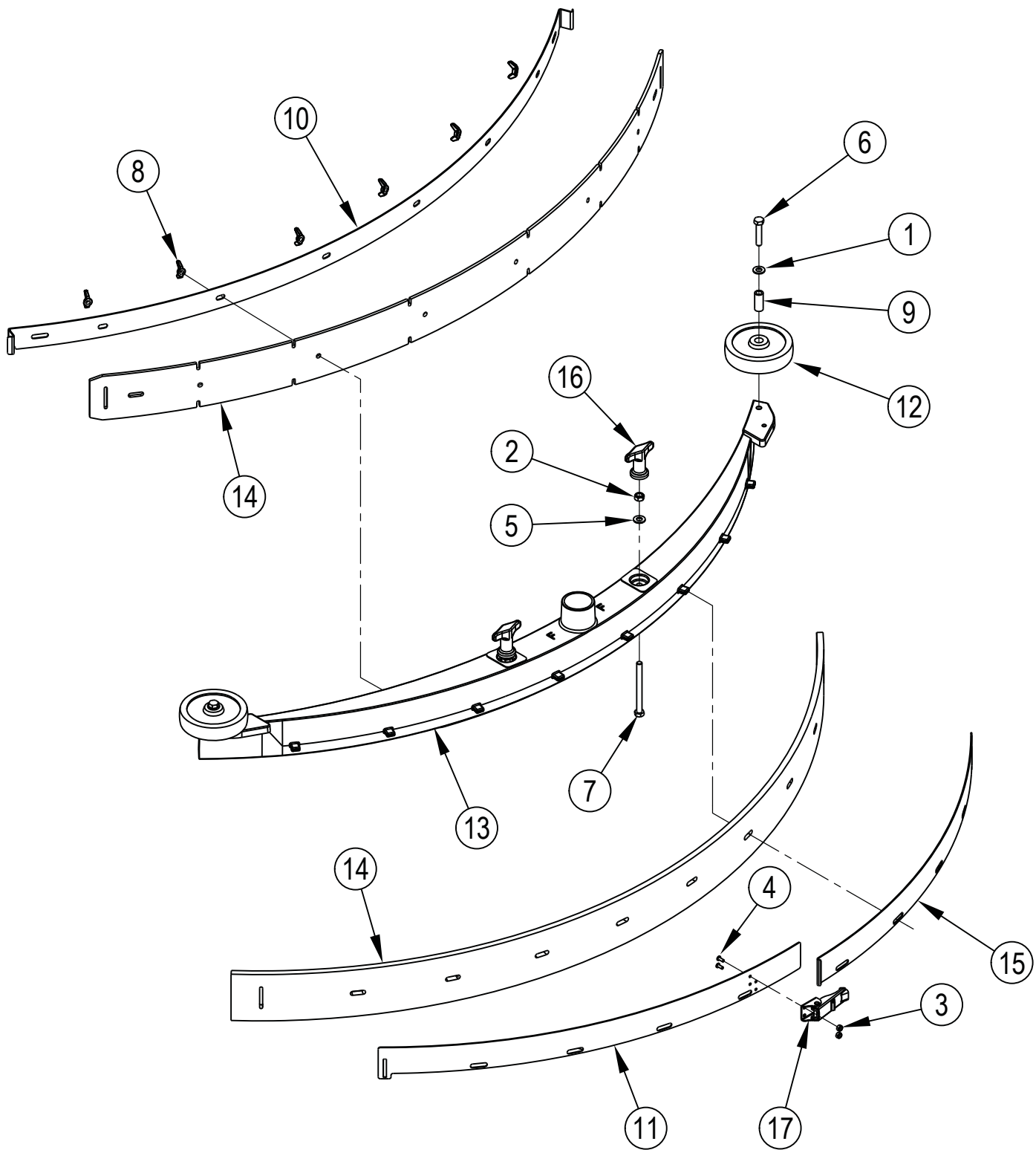
### SQUEEGEE SYSTEM-SQUEEGEE ARM ASSY



## SQUEEGEE SYSTEM-SQUEEGEE ARM ASSY

Item	Ref. No.	Qty	Description
		1	Squeegee Arm Assembly
1	56324369	1	Pin
2	56002918	4	Wsh-Fit SAE SS 1/2
3	56002938	2	Wsh-Fit SAE SS 5/16
4	56002910	1	Wsh-Fit SAE SS 3/8
5	56002769	1	Nut, Hex Nyl Loc 3/8-16
6	56003450	2	Nut-Hex Nyl Loc SS M12-1.75
7	56003405	2	Nut, Hex Nyl Loc Ss M8-1.25
8	56003453	2	Scr-Hex SS M12-1.75 X 35mm
9	56003463	2	Scr, Hex Thd To Hd SS 5/16-18 X 3.25
10	56003464	2	Scr, Hex SS M8-1.25 X 60mm
11	56003465	2	Nut, Wing SS 5/16-18
12	56009016	2	Nut, Hex Jam 1/2-13
13	56009086	4	Nut, Hex Jam 5/16-18
14	56003913	3	Scr-Pan Phil Loc SS 10-24 X .38
15	56151068	1	Washer, Fibre
16	56360627	2	Bushing
17	56370878	2	Bearing, Sleeve
18	56111936	2	Bracket
19	56407344	2	Caster Wheel
20	56407510	2	Knob, 5/16-18 Nyl Loc
21	56413972	1	Squeegee Mount Weldt
22	56413974	2	Bracket
23	56414163	1	Knob
24	56413599	1	Washer, Rubber
25	56413973	1	Squeegee Arm Weldment
26	56413742	1	Pad, Wear, Squeegee Arm

SQUEEGEE SYSTEM-SQUEEGEE ASSY F-40 INCH





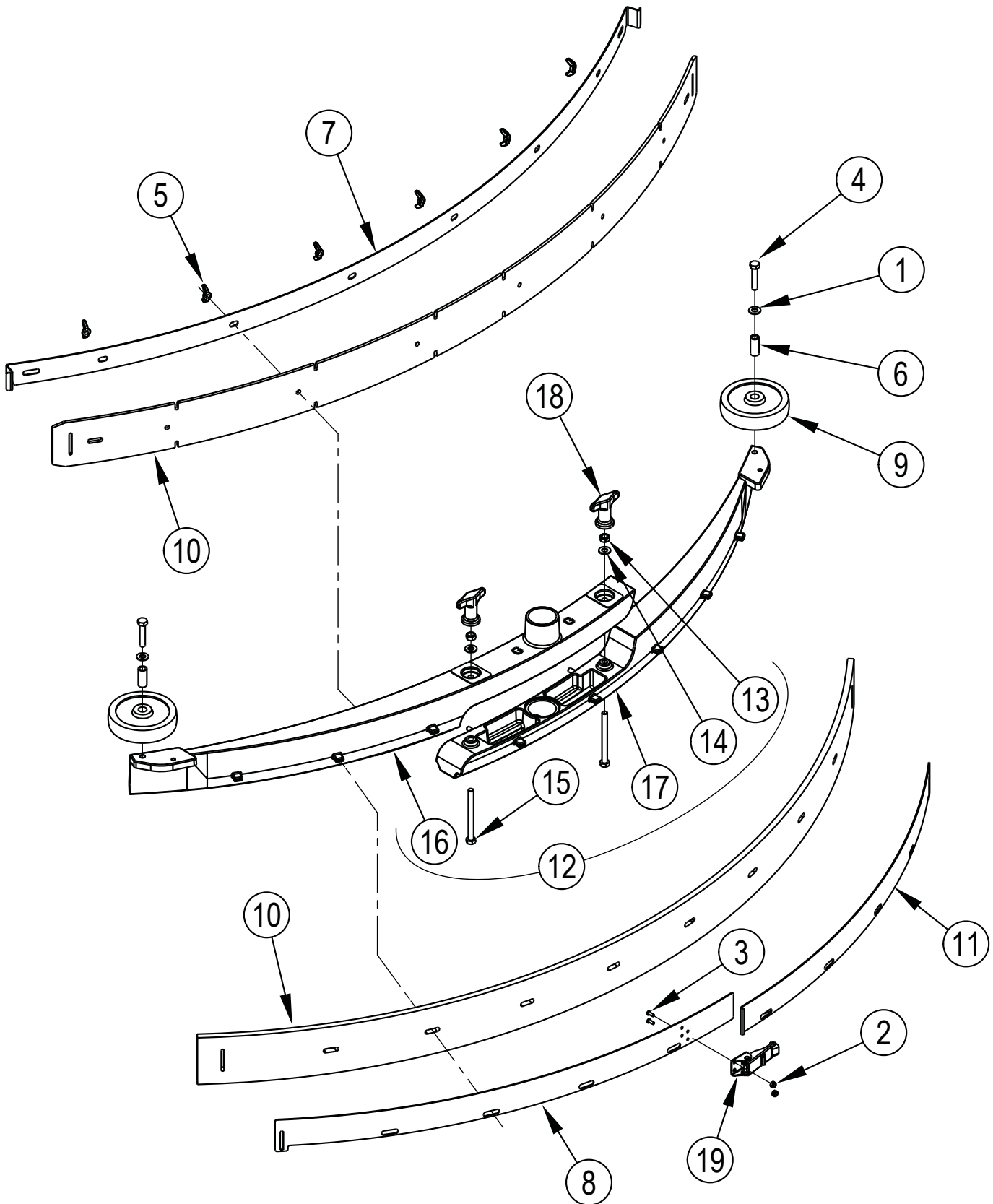
**SQUEEGEE SYSTEM-SQUEEGEE ASSY F-40 INCH**

Item	Ref. No.	Qty	Description
	56414159	1	Squeegee Assembly F (40")
1	56001939	2	Wsh, Flt Sae 5/16
2	56002851	2	Nut, Hex Nyl Loc-Thin Ss 5/16-18
3	56002907	2	Nut-Hex Nyl Loc Ss 6-32
4	56002909	2	Scr-Pan Phil Ss 6-32 X .38
5	56002938	2	Wsh-Flt Sae Ss 5/16
6	56003437	2	Scr-Hex Ss M8-1.25 X 40mm
7	56003481	2	Scr-Hex Thd To Hd Ss 5/16-18 X 3.50
8	56009111	6	Nut, Wing Ss 1/4-20
9	56109581	2	Bushing
10	56109614	1	Strap - Front F
11	56109615	1	Strap - Rear F
12	56111639	2	Wheel 4.00 Dia.
13	56413037	1	Squeegee , Cast F
14	56413762	1	Kit, Linatex Squeegee Blade F <b>NOTE 1</b>
*	56413761	1	Kit, Gum Rubber Squeegee Blade F <b>NOTE 1</b>
*	56413745	1	Kit, Polyurethane Squeegee Blade F <b>NOTE 1</b>
15	56413329	1	Strap, Rear F
16	56414161	2	Knob-Thumb Nut
17	56471194	1	Latch Assembly

\* = Optional, Not Included

**NOTE 1:** All squeegee blade kits include both front and rear squeegee blades.

## SQUEEGEE SYSTEM-SQUEEGEE ASSY G-45 INCH



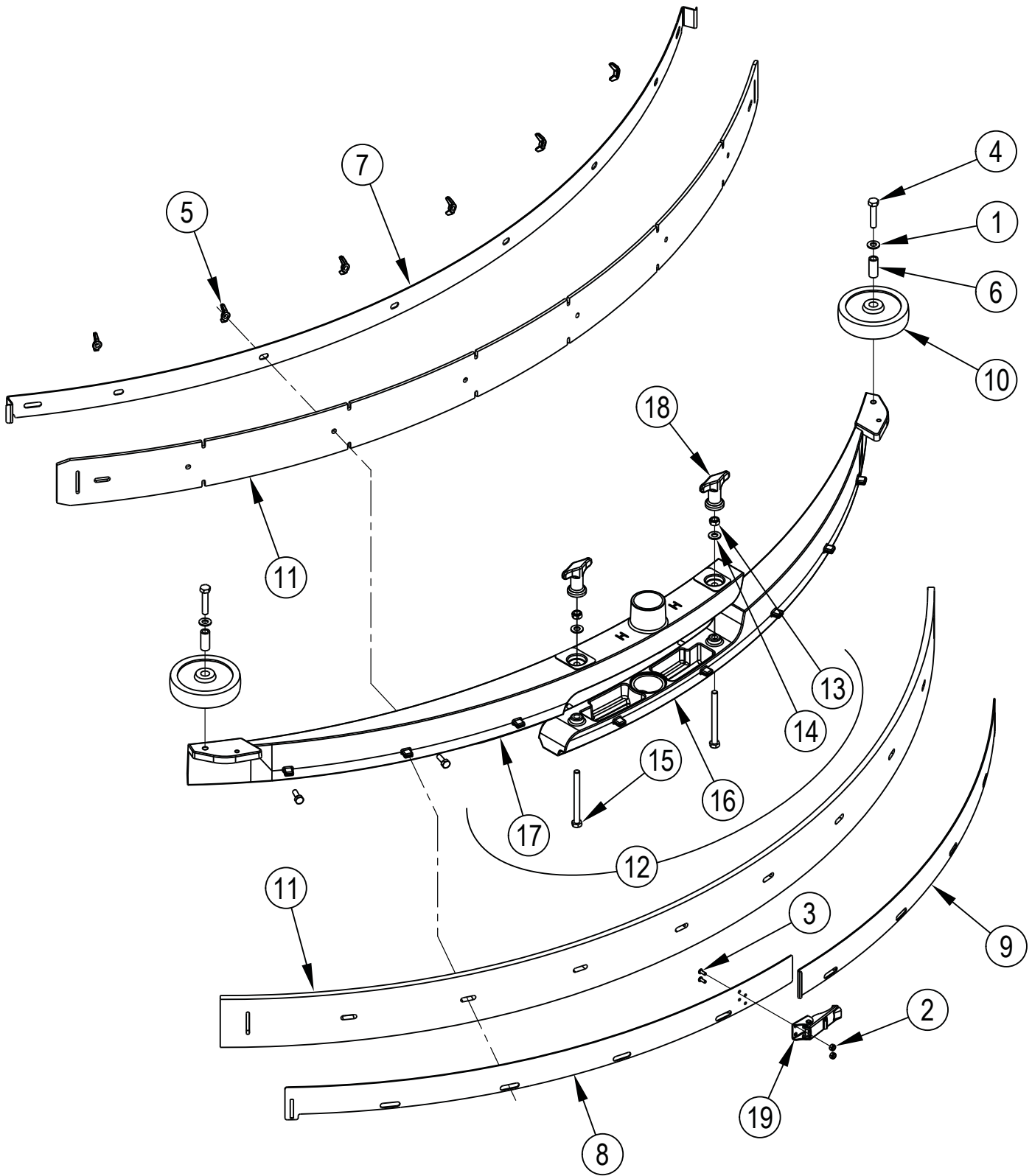
**SQUEEGEE SYSTEM-SQUEEGEE ASSY G-45 INCH**

<b>Item</b>	<b>Ref. No.</b>	<b>Qty</b>	<b>Description</b>
	56414154	1	Squeegee Assembly G (45")
1	56001939	2	Wsh, Flt Sae 5/16
2	56002907	2	Nut-Hex Nyl Loc Ss 6-32
3	56002909	2	Scr-Pan Phil Ss 6-32 X .38
4	56003437	2	Scr-Hex Ss M8-1.25 X 40mm
5	56009111	6	Nut, Wing Ss 1/4-20
6	56109581	2	Bushing
7	56109617	1	Strap - Front G
8	56109618	1	Strap - Rear G
9	56111639	2	Wheel 4.00 Dia.
10	56413757	1	Kit, Linatex Squeegee Blade G (45") <b>NOTE 1</b>
*	56413756	1	Kit, Gum Rubber Squeegee Blade G (45") <b>NOTE 1</b>
*	56413746	1	Kit, Polyurethane Squeegee Blade G (45") <b>NOTE 1</b>
11	56413521	1	Strap, Rear "G"
12	56413680	1	Squeegee Cast Assy G (45") (#13-17)
13	56002851	2	Nut, Hex Nyl Loc-Thin SS 5/16-18
14	56002938	2	Wsh-Flt Sae Ss 5/16
15	56003481	2	Scr, Hex Thd to Hd SS 5/16-18 x 3.50
16		1	Squeegee, Cast G Top (45")
17		1	Squeegee, Cast G Bottom (45")
18	56414161	2	Knob-Thumb Nut
19	56471194	1	Latch Assembly

\* = Optional, Not Included

**NOTE 1:** All squeegee blade kits include both front and rear squeegee blades.

SQUEEGEE SYSTEM-SQUEEGEE ASSY H-48 INCH



**SQUEEGEE SYSTEM-SQUEEGEE ASSY H-48 INCH**

Item	Ref. No.	Qty	Description
	56414130	1	Squeegee Assembly H (48")
1	56001939	2	Wsh, Flt Sae 5/16
2	56002907	2	Nut-Hex Nyl Loc Ss 6-32
3	56002909	2	Scr-Pan Phil Ss 6-32 X .38
4	56003437	2	Scr-Hex Ss M8-1.25 X 40mm
5	56009111	6	Nut, Wing Ss 1/4-20
6	56109581	2	Bushing
7	56109620	1	Strap - Front H
8	56109621	1	Strap - Rear H
9	56109677	1	Strap - Rear H
10	56111639	2	Wheel 4.00 Dia.
11	56413766	1	Kit, Linatex Squeegee Blade H (48") <b>NOTE 1</b>
*	56413765	1	Kit, Gum Rubber Squeegee Blade H (48") <b>NOTE 1</b>
*	56413747	1	Kit, Polyurethane Squeegee Blade H (48") <b>NOTE 1</b>
12	56413679	1	Squeegee Cast Assy H (48") (#13-17)
13	56002851	2	Nut, Hex Nyl Loc-Thin SS 5/16-18
14	56002938	2	Wsh-Flt Sae Ss 5/16
15	56003481	2	Scr, Hex Thd to Hd SS 5/16-18 x 3.50
16		1	Squeegee, Cast H Bottom (48")
17		1	Squeegee, Cast H Top (48")
18	56414161	2	Knob-Thumb Nut
19	56471194	1	Latch Assembly

\* = Optional, Not Included

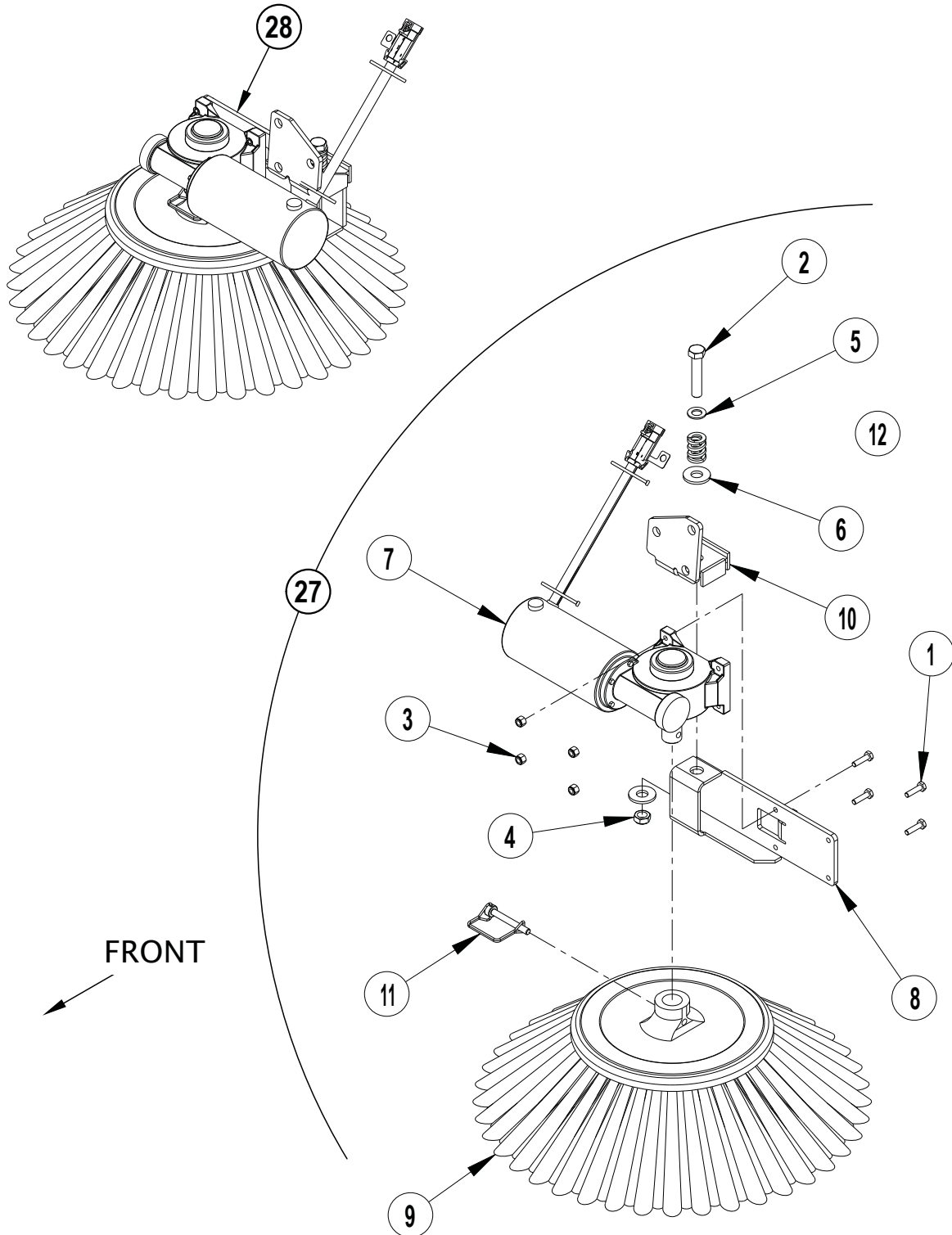
**NOTE 1:** All squeegee blade kits include both front and rear squeegee blades.



## SWEEP SYSTEM

Item	Ref. No.	Qty	Description
1	56407335	2	Chain Assembly
2	56001854	2	Scr, Hex 1/4-20 X .50
3	56001858	4	Scr, Hex 3/8-16 X 1.25
4	56001878	4	Scr, Hex 1/4-20 X 1.25
5	56001879	12	Wsh, Flt SAE 1/2
6	56001939	2	Wsh, Flt SAE 5/16
7	56001968	4	Scr, Hex 1/2-13 X 1.50
8	56002037	2	Scr, Hex 5/16-18 X .88
9	56002271	2	Scr, Hex 3/8-16 X .88
10	56002680	4	Scr, Hex 1/2-13 X 2.75
11	56002708	4	Nut, Hex Nyl Loc 1/4-20
12	56002769	14	Nut, Hex Nyl Loc 3/8-16
13	56002826	2	Nut, Hex Nyl Loc-Thin 5/16-18
14	56002843	8	Nut, Hex Nyl Loc-Thin 1/2-13
15	56003222	2	Pin, Cotter Hair
16	56003597	1	Pin, Clevis .375 X 1.75
17	56003656	1	Pin, Clevis .375 X 2.25
18	56009017	4	Wsh, Flt Harden .516x.938 X.75
19	56009087	4	Nut, Hex Jam 1/4-20
20	56009115	12	Wsh, Flt Harden .594x1.375x.134
21	56009199	2	Wsh, Flt Brass .266x1.250x.125
22	56303071	2	Bearing, Flange
23	56304893	4	Bearing, Sleeve .625 X .750 X .250
24	56305080	1	Bracket, Side Broom Lift
25	56305091	2	Pillow Block
26	56365030	4	Bushing .50x.62x.27
27	56413039	1	Left Side Broom Assembly
28	56413040	1	Right Side Broom Assembly
29	56413048	4	Link
30	56413053	1	Sidebroom Lift Arm Weldment
31	56413055	2	Lift Arm
32	56413129	1	Actuator, Motor 36V <b>(M4)</b>
33	56413403	4	Clamp, Wide
34	56413453	1	Sidebroom Brkt Weld't, Lt
35	56413454	1	Sidebroom Brkt Weld't, Rt
36	56413479	1	Actuator Mount
37	56413822	1	Circuit Breaker, 20 Amp
38	56416508	4	Spring, Die
39	56413516	1	Contact, 36vdc 200a <b>(K6)</b>

### SWEEP SYSTEM-SIDE BROOM ASSY





## SWEEP SYSTEM-SIDE BROOM ASSY

Item	Ref. No.	Qty	Description
27	56413039	1	Left Side Broom Assembly
28	56413040	1	Right Side Broom Assembly
1	56002093	4	Scr, Hex 1/4-20 X 1.00
2	56002533	1	Scr, Hex 1/2-13 X 2.50
3	56002708	4	Nut, Hex Nyl Loc 1/4-20
4	56002843	1	Nut, Hex Nyl Loc-Thin 1/2-13
5	56009017	1	Wsh, Flt Harden .516x.938 X.75
6	56009115	2	Wsh, Flt Harden .594x1.375x.134
7	56413695	1	Gearmotor Assembly, 36VDC ( <b>Left-56413039 / M7</b> )
[ ]	56413696	1	Gearmotor Assembly, 36VDC ( <b>Right-56413040 / M8</b> )
[ ]	52803A	2	Carbon Brush for 56413695 / 56413696
8	56413051	1	Sidebroom Bracket Weld't, Lt ( <b>56413039</b> )
[ ]	56413062	1	Sidebroom Bracket Weld't, Rt ( <b>56413040</b> )
9	56413056	1	Sidebroom ( <b>Standard</b> )
*	56380335	1	Sidebroom ( <b>Commercial Option</b> )
10	56413142	1	Sidebroom Spring Mt Weld't, Lt ( <b>56413039</b> )
[ ]	56413143	1	Sidebroom Spring Mt Weld't, Rt ( <b>56413040</b> )
11	56413845	1	Pin, .31 With Retainer
12	56416508	1	Spring, Die

[ ] = Not Shown

\* = Optional, Not Included

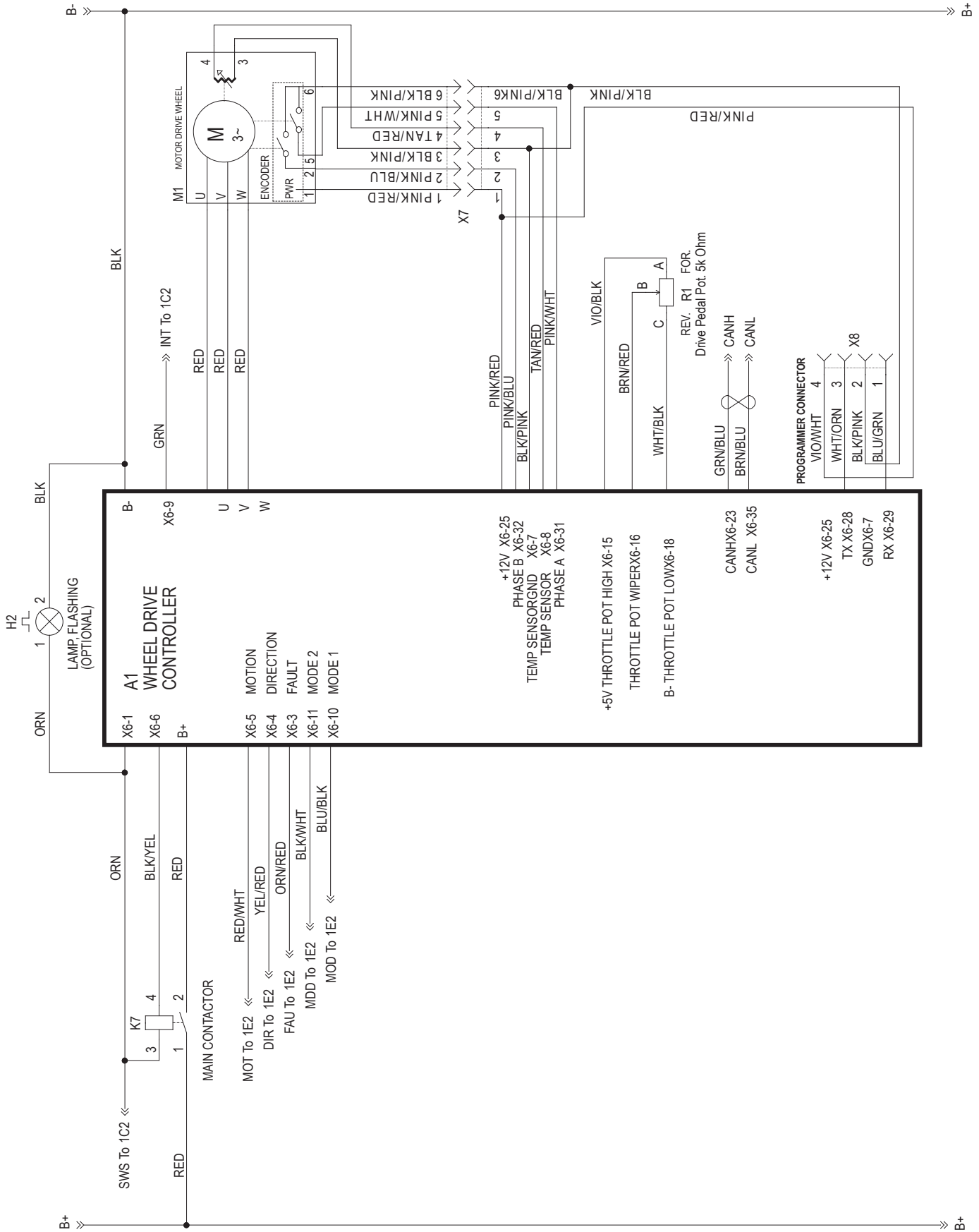


## LADDER DIAGRAM-1

Item	Ref. No.	Qty	Description	Item	Ref. No.	Qty	Description
A1	56414210	1	Speed Control	M9	56413336	1	Gearbox Assy (40" disk)
A2	56381049	1	Control Board Assembly	[ ]	56410182	1	Bearing B.E. (for 56413336)
A3	56381083	1	Switch/Display Panel Assembly	[ ]	56410183	1	Bearing F.E. (for 56413336)
BT1	N/A		Battery	[ ]	56412266	1	Brush Board Assy (for 56413336)
D1	NA	1	Diode	[ ]	56407500	1	Brush Assy Kit (for 56413336)
D2	NA	1	Diode (part of M15)	[ ]	56389395	1	Brush Spring Set (for 56413336)
F1	56413406	1	Circuit Breaker, 3 Amp (Control Circuit)	M9	56303083	1	Gearmotor (45" & 48" disk right motor)
F2	56413407	1	Circuit Breaker, 15 Amp (Auxiliary Circuit)	[ ]	56303444	4	Carbon Brush Assy (for 56303083)
F3	56413822	1	Circuit Breaker, 20 Amp (Side Brooms)	[ ]	56303419	4	Brush Spring (for 56303083)
F4	56410044	1	Fuse, 250 Amp	M9	56382654	1	Kit 36VDC 1.5HP Motor (all cylindrical right motor)
H1	56412177	1	Backup Alarm (optional)	[ ]	56381479	1	Kit Brush Amer Motor (for 56382654)
H2	56305223	1	Strobe Light (optional)	M10	56303083	1	Gearmotor (45" & 48" disk center motor)
H3	56409239	1	Headlight (optional)	[ ]	56303444	4	Carbon Brush Assy (for 56303083)
H4	56482365	1	Horn	[ ]	56303419	4	Brush Spring (for 56303083)
K1	56413516	1	Contact, Vacuum	M10	56382654	1	Kit 36VDC 1.5HP Motor (all cylindrical left motor)
K2	56413516	1	Contact, Right Brush (all models)	[ ]	56381479	1	Kit Brush Amer Motor (for 56382654)
K3	56413516	1	Contact, Center Brush (45" & 48" disk and all cylindrical)	M11	56303083	1	Gearmotor (45" & 48" disk left motor)
K4	56413516	1	Contact, Left Brush (45" & 48" disk only)	[ ]	56303444	4	Carbon Brush Assy (for 56303083)
K5	56413516	1	Contact, Auxiliary	[ ]	56303419	4	Brush Spring (for 56303083)
K6	56413516	1	Contact, Side Brooms	M12	56413810	1	Pump-Solution Control (ECOFLEX)
K7	56413516	1	Contact, Main	M13	56314984	1	Pump-Detergent (ECOFLEX)
L1	56413510	1	Solenoid Valve	M15	56212014	1	Pump, Accessory (optional)
M1	56414198	1	Wheel-Drive-AC	*	56109587	1	Pump Head Assy (for 56212014)
M2	56383970	1	Deck Actuator Kit	*	56109588	1	Check Valve Assy (for 56212014)
M3	56413111	1	Lift Actuator, Squeegee	M16	56314984	1	Pump-Detergent (ECOFLEX)
M4	56413129	1	Lift Actuator, Side Broom	R1	56454740	1	Potentiometer, 5K Ohm
M5	56410065	1	Motor Assy, Vac	R2	56413390	1	Resistor Assy, 1k Ohm (40" disk)
[ ]	56212223	1	Carbon Brush Set		56413393	1	Resistor Assy, 10k Ohm (40" cylindrical)
M6	56410065	1	Motor Assy, Vac (Optional)		56413392	1	Resistor Assy, 20k Ohm (45" & 48" disk)
[ ]	56212223	1	Carbon Brush Set		56413391	1	Resistor Assy, 40k Ohm (45" & 48" cylindrical)
M7	56413695	1	Gearmotor Assy, 36VDC (Left-cylindrical models only)	S1	1450372000	1	Switch, Key
[ ]	52803A	2	Carbon Brush for 56413695	[ ]	1462887000	1	Key, Replacement
M8	56413696	1	Gearmotor Assy, 36VDC (Right-cylindrical models only)	S2	56409613	1	Switch, Seat
[ ]	52803A	2	Carbon Brush for 56413696	S3	56305053	1	Switch, Batter Interlock (optional)
				S5	56413669	1	Switch, Solution Empty

[ ] = Not Shown  
 \* = Optional, Not Included

### LADDER DIAGRAM-2

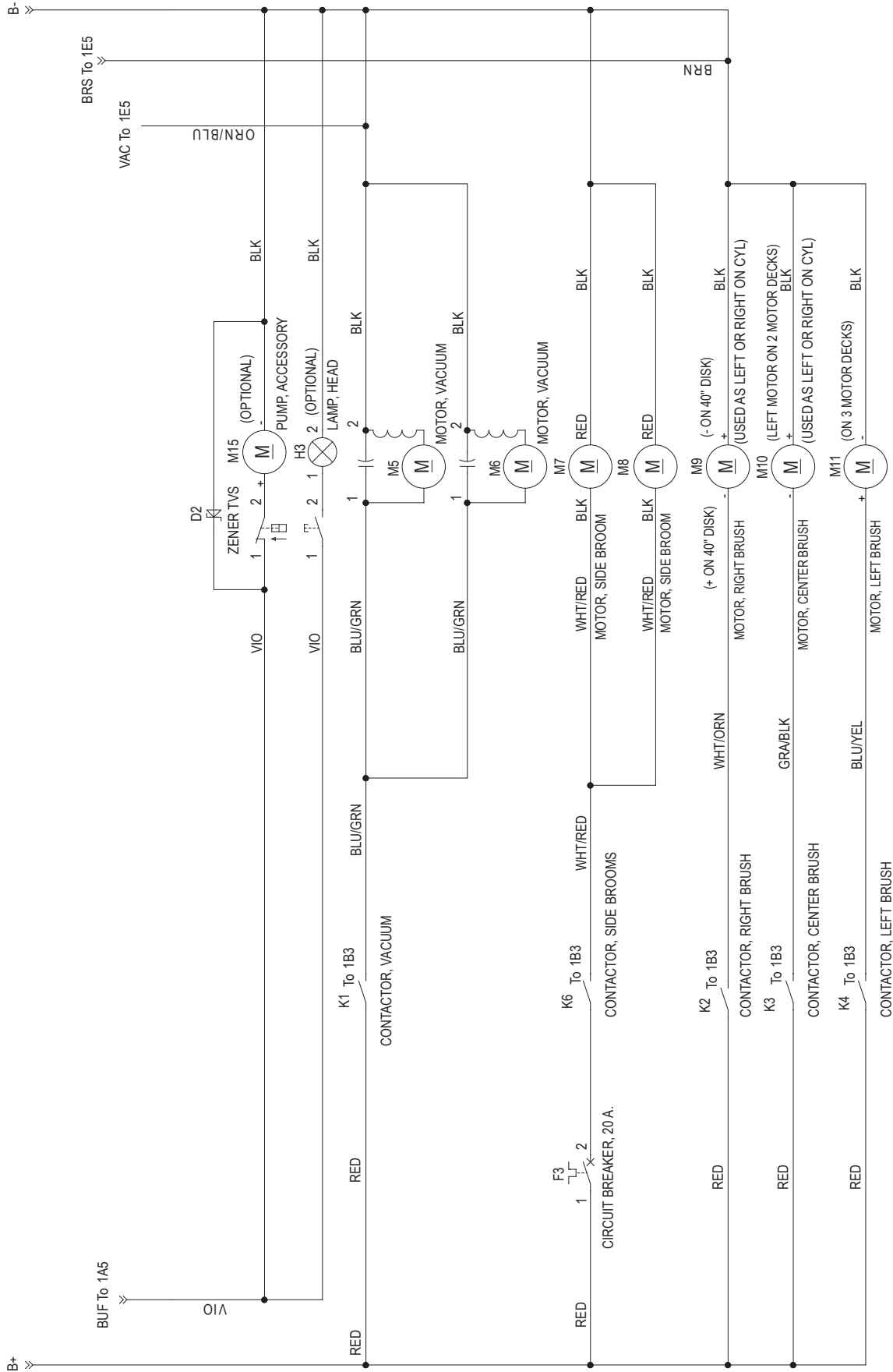


## LADDER DIAGRAM-2

Item	Ref. No.	Qty	Description	Item	Ref. No.	Qty	Description
A1	56414210	1	Speed Control	M9	56413336	1	Gearbox Assy (40" disk)
A2	56381049	1	Control Board Assembly	[ ]	56410182	1	Bearing B.E. (for 56413336)
A3	56381083	1	Switch/Display Panel Assembly	[ ]	56410183	1	Bearing F.E. (for 56413336)
BT1	N/A		Battery	[ ]	56412266	1	Brush Board Assy (for 56413336)
D1	NA	1	Diode	[ ]	56407500	1	Brush Assy Kit (for 56413336)
D2	NA	1	Diode (part of M15)	[ ]	56389395	1	Brush Spring Set (for 56413336)
F1	56413406	1	Circuit Breaker, 3 Amp (Control Circuit)	M9	56303083	1	Gearmotor (45" & 48" disk right motor)
F2	56413407	1	Circuit Breaker, 15 Amp (Auxiliary Circuit)	[ ]	56303444	4	Carbon Brush Assy (for 56303083)
F3	56413822	1	Circuit Breaker, 20 Amp (Side Brooms)	[ ]	56303419	4	Brush Spring (for 56303083)
F4	56410044	1	Fuse, 250 Amp	M9	56382654	1	Kit 36VDC 1.5HP Motor (all cylindrical right motor)
H1	56412177	1	Backup Alarm (optional)	[ ]	56381479	1	Kit Brush Amer Motor (for 56382654)
H2	56305223	1	Strobe Light (optional)	M10	56303083	1	Gearmotor (45" & 48" disk center motor)
H3	56409239	1	Headlight (optional)	[ ]	56303444	4	Carbon Brush Assy (for 56303083)
H4	56482365	1	Horn	[ ]	56303419	4	Brush Spring (for 56303083)
K1	56413516	1	Contact, Vacuum	M10	56382654	1	Kit 36VDC 1.5HP Motor (all cylindrical left motor)
K2	56413516	1	Contact, Right Brush (all models)	[ ]	56381479	1	Kit Brush Amer Motor (for 56382654)
K3	56413516	1	Contact, Center Brush (45" & 48" disk and all cylindrical)	M11	56303083	1	Gearmotor (45" & 48" disk left motor)
K4	56413516	1	Contact, Left Brush (45" & 48" disk only)	[ ]	56303444	4	Carbon Brush Assy (for 56303083)
K5	56413516	1	Contact, Auxiliary	[ ]	56303419	4	Brush Spring (for 56303083)
K6	56413516	1	Contact, Side Brooms	M12	56413810	1	Pump-Solution Control (ECOFLEX)
K7	56413516	1	Contact, Main	M13	56314984	1	Pump-Detergent (ECOFLEX)
L1	56413510	1	Solenoid Valve	M15	56212014	1	Pump, Accessory (optional)
M1	56414198	1	Wheel-Drive-AC	*	56109587	1	Pump Head Assy (for 56212014)
M2	56383970	1	Deck Actuator Kit	*	56109588	1	Check Valve Assy (for 56212014)
M3	56413111	1	Lift Actuator, Squeegee	M16	56314984	1	Pump-Detergent (ECOFLEX)
M4	56413129	1	Lift Actuator, Side Broom	R1	56454740	1	Potentiometer, 5K Ohm
M5	56410065	1	Motor Assy, Vac	R2	56413390	1	Resistor Assy, 1k Ohm (40" disk)
[ ]	56212223	1	Carbon Brush Set		56413393	1	Resistor Assy, 10k Ohm (40" cylindrical)
M6	56410065	1	Motor Assy, Vac (Optional)		56413392	1	Resistor Assy, 20k Ohm (45" & 48" disk)
[ ]	56212223	1	Carbon Brush Set		56413391	1	Resistor Assy, 40k Ohm (45" & 48" cylindrical)
M7	56413695	1	Gearmotor Assy, 36VDC (Left-cylindrical models only)	S1	1450372000	1	Switch, Key
[ ]	52803A	2	Carbon Brush for 56413695	[ ]	1462887000	1	Key, Replacement
M8	56413696	1	Gearmotor Assy, 36VDC (Right-cylindrical models only)	S2	56409613	1	Switch, Seat
[ ]	52803A	2	Carbon Brush for 56413696	S3	56305053	1	Switch, Batter Interlock (optional)
				S5	56413669	1	Switch, Solution Empty

[ ] = Not Shown  
 \* = Optional, Not Included

### LADDER DIAGRAM-3



## LADDER DIAGRAM-3

Item	Ref. No.	Qty	Description	Item	Ref. No.	Qty	Description
A1	56414210	1	Speed Control	M9	56413336	1	Gearbox Assy (40" disk)
A2	56381049	1	Control Board Assembly	[ ]	56410182	1	Bearing B.E. (for 56413336)
A3	56381083	1	Switch/Display Panel Assembly	[ ]	56410183	1	Bearing F.E. (for 56413336)
BT1	N/A		Battery	[ ]	56412266	1	Brush Board Assy (for 56413336)
D1	NA	1	Diode	[ ]	56407500	1	Brush Assy Kit (for 56413336)
D2	NA	1	Diode (part of M15)	[ ]	56389395	1	Brush Spring Set (for 56413336)
F1	56413406	1	Circuit Breaker, 3 Amp (Control Circuit)	M9	56303083	1	Gearmotor (45" & 48" disk right motor)
F2	56413407	1	Circuit Breaker, 15 Amp (Auxiliary Circuit)	[ ]	56303444	4	Carbon Brush Assy (for 56303083)
F3	56413822	1	Circuit Breaker, 20 Amp (Side Brooms)	[ ]	56303419	4	Brush Spring (for 56303083)
F4	56410044	1	Fuse, 250 Amp	M9	56382654	1	Kit 36VDC 1.5HP Motor (all cylindrical right motor)
H1	56412177	1	Backup Alarm (optional)	[ ]	56381479	1	Kit Brush Amer Motor (for 56382654)
H2	56305223	1	Strobe Light (optional)	M10	56303083	1	Gearmotor (45" & 48" disk center motor)
H3	56409239	1	Headlight (optional)	[ ]	56303444	4	Carbon Brush Assy (for 56303083)
H4	56482365	1	Horn	[ ]	56303419	4	Brush Spring (for 56303083)
K1	56413516	1	Contact, Vacuum	M10	56382654	1	Kit 36VDC 1.5HP Motor (all cylindrical left motor)
K2	56413516	1	Contact, Right Brush (all models)	[ ]	56381479	1	Kit Brush Amer Motor (for 56382654)
K3	56413516	1	Contact, Center Brush (45" & 48" disk and all cylindrical)	M11	56303083	1	Gearmotor (45" & 48" disk left motor)
K4	56413516	1	Contact, Left Brush (45" & 48" disk only)	[ ]	56303444	4	Carbon Brush Assy (for 56303083)
K5	56413516	1	Contact, Auxiliary	[ ]	56303419	4	Brush Spring (for 56303083)
K6	56413516	1	Contact, Side Brooms	M12	56413810	1	Pump-Solution Control (ECOFLEX)
K7	56413516	1	Contact, Main	M13	56314984	1	Pump-Detergent (ECOFLEX)
L1	56413510	1	Solenoid Valve	M15	56212014	1	Pump, Accessory (optional)
M1	56414198	1	Wheel-Drive-AC	*	56109587	1	Pump Head Assy (for 56212014)
M2	56383970	1	Deck Actuator Kit	*	56109588	1	Check Valve Assy (for 56212014)
M3	56413111	1	Lift Actuator, Squeegee	M16	56314984	1	Pump-Detergent (ECOFLEX)
M4	56413129	1	Lift Actuator, Side Broom	R1	56454740	1	Potentiometer, 5K Ohm
M5	56410065	1	Motor Assy, Vac	R2	56413390	1	Resistor Assy, 1k Ohm (40" disk)
[ ]	56212223	1	Carbon Brush Set		56413393	1	Resistor Assy, 10k Ohm (40" cylindrical)
M6	56410065	1	Motor Assy, Vac (Optional)		56413392	1	Resistor Assy, 20k Ohm (45" & 48" disk)
[ ]	56212223	1	Carbon Brush Set		56413391	1	Resistor Assy, 40k Ohm (45" & 48" cylindrical)
M7	56413695	1	Gearmotor Assy, 36VDC (Left-cylindrical models only)	S1	1450372000	1	Switch, Key
[ ]	52803A	2	Carbon Brush for 56413695	[ ]	1462887000	1	Key, Replacement
M8	56413696	1	Gearmotor Assy, 36VDC (Right-cylindrical models only)	S2	56409613	1	Switch, Seat
[ ]	52803A	2	Carbon Brush for 56413696	S3	56305053	1	Switch, Batter Interlock (optional)
				S5	56413669	1	Switch, Solution Empty

[ ] = Not Shown

\* = Optional, Not Included

## OPTIONAL KITS & ACCESSORIES

Item	Ref. No.	Qty	Description	Item	Ref. No.	Qty	Description
			<b>Optional Kits</b>				<b>40" Cylindrical Scrub Brushes</b>
*	56413740	1	Kit, Battery Tray Only	*	56413113	2	Soft Nylon
*	56413821	1	Vacuum Motor Kit, (2nd Vac Motor)	*	56413114	2	Hard Nylon
*	56413089	1	Kit, Heavy Front Bumper	*	56413118	2	Prolene
*	56414188	1	Bumper Tube Kit	*	56413115	2	180 Grit
*	56413764	1	Kit, Deluxe Seat	*	56413116	2	80 Grit
*	56413687	1	Kit, Spray Wand				<b>45" Cylindrical Scrub Brushes</b>
*	56413649	1	Kit, Warning Beacon	*	56413434	2	Soft Nylon
*	56413681	1	Kit, Back-Up Alarm	*	56413435	2	Hard Nylon
*	56413774	1	Kit, Overhead Guard	*	56413439	2	Prolene
*	56383455	1	Kit, Seat Belt	*	56413436	2	180 Grit
*	56314313	1	Kit, Headlight	*	56413437	2	80 Grit
*	56413773	1	Kit, Operator Foot Guard				<b>48" Cylindrical Scrub Brushes</b>
*	56413685	1	Kit, Solution Auto-Fill	*	56413352	2	Soft Nylon
*	56413819	1	Kit, Floor Mat	*	56413353	2	Hard Nylon
			<b>40" Disk Scrub Brushes</b>	*	56413357	2	Prolene
*	56505790	2	Short Trim Pad Holder	*	56413354	2	180 Grit
*	56505195	2	Pad Retainer for 56505750	*	56413355	2	80 Grit
*	56505791	2	MagnaGrit				
*	56505792	2	DynaGrit				
*	56505793	2	AgLite				
*	56505794	2	Prolene				
*	56505795	2	ProLite				
*	56505796	2	Union Mix				
*	56505797	2	MidGrit				
*	56505798	2	MidLite Grit				
			<b>45" Disk Scrub Brushes</b>				
*	56505830	2	Short Trim Pad Holder				
*	56505195	2	Pad Retainer for 56505750				
*	56505831	2	MagnaGrit				
*	56505832	2	DynaGrit				
*	56505833	2	AgLite				
*	56505834	2	Prolene				
*	56505835	2	ProLite				
*	56505836	2	Union Mix				
*	56505837	2	MidGrit				
*	56505838	2	MidLite Grit				
			<b>48" Disk Scrub Brushes</b>				
*	56505780	2	Short Trim Pad Holder				
*	56505195	2	Pad Retainer for 56505750				
*	56505781	2	MagnaGrit				
*	56505782	2	DynaGrit				
*	56505783	2	AgLite				
*	56505784	2	Prolene				
*	56505785	2	ProLite				
*	56505786	2	Union Mix				
*	56505787	2	MidGrit				
*	56505788	2	MidLite Grit				

\* = Optional, Not Included

**NOTE 1:** Replacement parts for the kits listed above can be found on each kit's associated instruction sheet.



## OPTIONAL KITS & ACCESSORIES

Item	Ref. No.	Qty	Description
			<b>40" Squeegee Blade Kits</b>
*	56413761	1	Kit, Gum Rubber Squeegee Blade F <b>NOTE 2</b>
	56413762	1	Kit, Linatex Squeegee Blade F (Std) <b>NOTE 2</b>
*	56413745	1	Kit, Polyurethane Squeegee Blade F <b>NOTE 2</b>
			<b>45" Squeegee Blade Kits</b>
*	56413756	1	Kit, Gum Rubber Squeegee Blade G <b>NOTE 2</b>
	56413757	1	Kit, Linatex Squeegee Blade G (Std) <b>NOTE 2</b>
*	56413746	1	Kit, Polyurethane Squeegee Blade G <b>NOTE 2</b>
			<b>48" Squeegee Blade Kits</b>
*	56413765	1	Kit, Gum Rubber Squeegee Blade H <b>NOTE 2</b>
	56413766	1	Kit, Linatex Squeegee Blade H (Std) <b>NOTE 2</b>
*	56413747	1	Kit, Polyurethane Squeegee Blade H <b>NOTE 2</b>
			<b>40" Disk Deck Blade Kits</b>
*	56413767	1	Kit, Gum Rubber 40 Disk Blade <b>NOTE 3</b>
	56413768	1	Kit, Linatex 40 Disk Blade (Std) <b>NOTE 3</b>
*	56413754	1	Kit, Polyurethane 40 Disk Blade <b>NOTE 3</b>
			<b>45", 48" Disk Deck Blade Kits</b>
*	56413769	1	Kit, Gum Rubber 45/48 Disk Blade <b>NOTE 3</b>
	56413770	1	Kit, Linatex 45/48 Disk Blade (Std) <b>NOTE 3</b>
*	56413755	1	Kit, Polyurethane 45/48 Disk Blade <b>NOTE 3</b>
			<b>Cylindrical Deck Blades</b>
*	56413820	2	Skirt, Gum Rubber
	56413654	2	Skirt, Linatex (Std)
*	56413743	2	Skirt, Polyurethane
			<b>Optional Battery Kits</b>
*	56380425	1	Kit, Battery Roll Out – No Batt
*	56380485	1	Kit, Battery Roll Out – No Batt
			<b>Accessories</b>
*	56383571	1	Programmer-User
*	56383572	1	Programmer Cable-Molex
*	56303429	1	Cart, Battery Exchange
*	56303430	1	Rack, Battery Storage
*	56044645	1	Literature Pack

\* = Optional, Not Included

**NOTE 2:** Squeegee Blade Kits include both front & rear squeegee blades.

**NOTE 3:** Disk Deck Blade Kits include all skirt assembly blades.

## RECOMMENDED SPARE PARTS

### WEAR ITEMS

#### BRUSHES

Disk Scrub Brushes	40D	45D	48D
Short Trim Pad Holder	56505790	56505830	56505780
Pad Retainer for 56505750	56505195	56505195	56505195
MagnaGrit	56505791	56505831	56505781
DynaGrit	56505792	56505832	56505782
AgLite	56505793	56505833	56505783
Prolene	56505794	56505834	56505784
ProLite	56505795	56505835	56505785
Union Mix	56505796	56505836	56505786
MidGrit	56505797	56505837	56505787
MidLite Grit	56505798	56505838	56505788

Cylindrical Scrub Brushes	40C	45C	48C
Soft Nylon	56413113	56413434	56413352
Hard Nylon	56413114	56413435	56413353
Prolene	56413118	56413439	56413357
180 Grit	56413115	56413436	56413354
80 Grit	56413116	56413437	56413355

#### BROOMS

Side Brooms	40C	45C	48C
Side Broom (Standard)	56413056	56413056	56413056
Side Broom (Optional)	56380335	56380335	56380335

#### DECK BLADES

Disk Deck Blade Kits	40D	45D	48D
Kit, Gum Rubber 40 Disk Blade	56413767		
Kit, Linatex 40 Disk Blade (Std)	56413768		
Kit, Polyurethane 40 Disk Blade	56413754		
Kit, Gum Rubber 45/48 Disk Blade		56413769	56413769
Kit, Linatex 45/48 Disk Blade (Std)		56413770	56413770
Kit, Polyurethane 45/48 Disk Blade		56413755	56413755

Cylindrical Deck Blades	40C	45C	48C
Skirt, Gum Rubber	56413820	56413820	56413820
Skirt, Linatex (Std)	56413654	56413654	56413654
Skirt, Polyurethane	56413743	56413743	56413743

#### REAR SQUEEGEE BLADES

Squeegee Blade Kits	40 (F)	45 (G)	48 (H)
Kit, Gum Rubber Squeegee Blade	56413761		
Kit, Linatex Squeegee Blade (Std)	56413762		
Kit, Polyurethane Squeegee Blade	56413745		
Kit, Gum Rubber Squeegee Blade		56413756	
Kit, Linatex Squeegee Blade (Std)		56413757	
Kit, Polyurethane Squeegee Blade		56413746	
Kit, Gum Rubber Squeegee Blade			56413765
Kit, Linatex Squeegee Blade (Std)			56413766
Kit, Polyurethane Squeegee Blade			56413747

## RECOMMENDED SPARE PARTS

### PERIODIC SERVICE ITEMS AND SPARES

CLASS			Class	Ref No.	Description
		W = Normal Wear			
		O = Ordinary Maintenance			
		E = Extra-Ordinary Maintenance			
Class	Ref No.	Description			
<b>CHASSIS</b>					
E	56414139	Right Guard Assy (All)			
E	56414140	Left Guard Assy (45" & 48" Only)			
O	56407006	Wheel, Roller			
O	56462746	Latch			
<b>ELECTRICAL COMPONENTS</b>					
O	56410044	Fuse, 250 Amp			
E	56482365	Horn, 36 V			
E	56414210	Speed Control			
O	56413406	Circuit Breaker, 3.0 Amp.			
O	56413407	Circuit Breaker, 15 Amp.			
O	56413822	Circuit Breaker, 20 Amp.-Sweep System			
E	56381049	Main PCB Box Assembly			
O	56413516	Contact, 36Vdc 200A			
E	56381083	Touch Pad Assy			
E	1450372000	Key Switch w/ Key			
E	1462887000	Key, Replacement			
E	56601052	Foot Pedal Assy			
<b>RECOVERY SYSTEM</b>					
O	56212236	Clamp Plastic			
O	56314760	Gasket, Vacuum Duct			
E	56410065	Vac Motor Assy			
E	56381937	Drain Hose Ribbed (Includes Hose Cap)			
O	56601411	Drain Hose Cap Kit			
E	56413171	Hose, Vac 2.00 x 42.00 x 975018			
E	56413377	Hose, Squeegee Vac			
O	56414192	Gasket, Recovery Lid Assy			
O	56413194	Screen Filter			
O	56413195	Filter			
<b>SCRUB SYSTEM</b>					
E	56412262	Housing, Spring-Actuator-Deck (All)			
E	56383970	Deck Actuator Kit (All)			
O	56407006	Wheel, Roller (All)			
E	56414164	Broom Idler Assy-Cyl (All)			
E	56414123	Broom Drive Lug Assy-Cyl (All)			
E	56414178	Belt Guard Assy-Cyl (All)			
E	56414125	Belt-Auto Tension-Cyl (All)			
E	56382654	Kit 36VDC 1.5HP Motor-Cyl (All)			
O	56381479	Kit Brush AMER Motor-Cyl (All)			
E	56413871	Left Skirt Assy-Cyl (40")			
E	56413556	Left Skirt Assy-Cyl (45", 48")			
E	56413609	Right Skirt Assy-Cyl (All)			
E	56413336	Gearbox Assy-Disk (40")			
O	56407500	Brush Assy Kit-Disk (40")			
E	56407196	Gearbox-Disk (40")			
E	56413307	Right Skirt Assy-Disk (40")			
E	56413313	Left Skirt Assy-Disk (40")			
O	56413318	Blade, Front-Disk (40")			
O	56413319	Blade, Rear-Disk (40")			
E	56303083	Gearmotor-Disk (45", 48")			
O	56303444	Carbon Brush Assy-Disk (45", 48")			
<b>SCRUB SYSTEM (CONTINUED)</b>					
E	56413307	Right Skirt Assy-Disk (45", 48")			
E	56413381	Left Skirt Assy-Disk (45", 48")			
O	56413374	Blade, Front-Disk (45", 48")			
O	56413379	Blade, Rear-Disk (45", 48")			
<b>SOLUTION SYSTEM</b>					
O	56407162	Filter-Solution			
E	56413581	Valve, T Shutoff			
E	56413669	Switch, Liquid Level			
E	56413510	Solenoid Valve Assy			
E	56314984	Pump, Detergent-EcoFlex			
E	56315523	Cap, Dry Bread, 1/8 Barb, 90-EcoFlex			
E	56413810	Pump, 36VDC -EcoFlex			
E	56111855	Chemical Bottle Assy-EcoFlex			
<b>SQUEEGEE SYSTEM</b>					
E	56413111	Actuator 36Vdc-Squeegee			
O	56407344	Caster Wheel			
E	56009111	Nut, Wing SS 1/4-20			
E	56111639	Wheel 4.00 Dia.			
E	56414161	Knob-Tumb Nut			
O	56471194	Latch Assy			
<b>SWEEP SYSTEM</b>					
E	56413039	Left Side Broom Assy			
E	56413040	Right Side Broom Assy			
E	56413129	Actuator Motor 36Vdc			
E	56413048	Link			
E	56413695	Gearmotor Assy 36Vdc-Left			
E	56413696	Gearmotor Assy 36Vdc-Right			
O	52803A	Carbon Brush			
O	56413845	Pin, .31 w/ Retainer			
<b>STEERING SYSTEM</b>					
E	56412198	Chain, Roller			
E	56413211	Bearing, Flange			
E	56414075	Ratchet-Steering Column			
E	56414078	Rod-Tilt Wheel			
E	56414082	Sprocket-10 Tooth			
E	56454081	Universal Joint			
<b>FRONT WHEEL SYSTEM</b>					
E	56414198	1 Wheel-Drive-AC			
O	56414214	1 Wheel-3.94x350			
<b>REAR WHEEL &amp; BRAKE SYSTEM</b>					
E	56413024	Brake-Ccw Rh			
E	56413025	Brake-Cw Lh			
E	56413293	Rotor			
E	56414127	Cable Assy			
E	56407133	Yoke, Clevis			
E	56414062	Wheel-Rear-14in-3.5in			
E	56414064	Bearing-Ball-30mm X 62mm X 16mm (56414062 2 per Wheel)			

## BRUSH SELECTOR GUIDE-DISK

We provide brushes and pad holders that will give you the best possible performance between machine and floor. Following are descriptions of the materials and their applications.

- Union Mix:** Medium grade natural fibers for polishing finished floors with standard-speed equipment. Recommended for use in place of white pads.
- ProLite:** Bristles are made from light-duty polypropylene for general scrubbing when you do not want to scratch or remove finish from the floor. Recommended for use in place of red pads.
- Prolene:** Polypropylene material for medium-duty scrubbing on concrete, terrazzo and vinyl floor tile. Recommended for use in place of green or blue pads.
- Magna Grit:** For extreme heavy-duty scrubbing or stripping of floors. This brush has extra large diameter silicon carbide grit impregnated synthetic bristles. Recommended for use in place of black pads.
- Dyna Grit:** For aggressive, heavy-duty scrubbing or stripping of floors. Recommended for use in place of brown pads.
- MidLite Grit:** For general purpose scrubbing of sealed or unsealed concrete, stone, terrazzo, quarry tile and other resilient hard floor surfaces. Recommended for use in place of green or blue pads.
- MidGrit:** For general purpose scrubbing when you need a lighter action for sealed or unsealed concrete, stone, terrazzo, quarry tile and other resilient hard floor surfaces. Recommended for use in place of green or blue pads.
- AgLite Grit:** For light scrubbing when used wet; buffing or polishing when used dry on urethane coated, sealed concrete or other resilient hard surface floors. Recommended for use in place of red or white pads.
- Short Trim Pad Holder:** Made with a structural foam block and center ring for correct pad centering. It has a "shower feed" design for getting solution to the floor.

### 40" BRUSHES

56505790 - Short Trim Pad Holder  
 56505195 - Pad Retainer for 56505790  
 56505795 - Prolite  
 56505794 - Prolene  
 56505796 - Union Mix  
 56505793 - AgLite Grit  
 56505797 - MidGrit  
 56505798 - MidLite Grit  
 56505792 - Dyna Grit  
 56505791 - Magna Grit

### 45" BRUSHES

56505830 - Short Trim Pad Holder  
 56505195 - Pad Retainer for 56505830  
 56505835 - Prolite  
 56505834 - Prolene  
 56505836 - Union Mix  
 56505833 - AgLite Grit  
 56505837 - MidGrit  
 56505838 - MidLite Grit  
 56505832 - Dyna Grit  
 56505831 - Magna Grit

### 48" BRUSHES

56505780 - Short Trim Pad Holder  
 56505195 - Pad Retainer for 56505780  
 56505785 - Prolite  
 56505784 - Prolene  
 56505786 - Union Mix  
 56505783 - AgLite Grit  
 56505787 - MidGrit  
 56505788 - MidLite Grit  
 56505782 - Dyna Grit  
 56505781 - Magna Grit

## DISC BRUSH APPLICATION GUIDE (SUGGESTION ONLY)

Application	46 Grit	80 Grit	180 Grit	240 Grit	500 Grit	Prolene	Prolite	Union Mix
<b>Stripping:</b>								
Concrete	X	X						
Terrazzo	X	X						
Ceramic/Quarry tile		X						
Vinyl tile		X						
<b>General Scrubbing:</b>								
Concrete	X	X	X	X		X		
Terrazzo			X	X	X	X		
Ceramic/Quarry tile			X	X	X	X		
Marble					X		X	
Vinyl tile			X		X	X		
Raised-rubber tile					X		X	
<b>Polishing:</b>								
Raised Disc Tile								X
Marble								X
Vinyl tile								X

## BRUSH SELECTOR GUIDE-CYLINDRICAL

We provide brushes and pad holders that will give you the best possible performance between machine and floor. Following are descriptions of the materials and their applications.

- 80 Grit Brush:** Medium aggressive grit brush. Good all-around brush for medium to heavy buildup removal. Can also be used for general stripping operations.
- 180 Grit Brush:** Least aggressive grit brush. Used for daily cleaning of hard-finished floors.
- Polypropylene Brush:** Standard equipment brush. Low cost, yet effective in cleaning many common floor surfaces.
- Stiff Nylon Brush:** Cleaning action similar to polypropylene. More durable and wear-resistant than polypropylene.
- Soft Nylon Brush:** Least aggressive brush available. Used on soft-finish floors where a more aggressive brush would leave scratch marks, or in applications requiring very light cleaning.

### 40" BRUSHES

56413113 - Soft Nylon  
 56413114 - Hard Nylon  
 56413118 - Prolene  
 56413115 - 180 Grit  
 56413116 - 80 Grit

### 45" BRUSHES

56413434 - Soft Nylon  
 56413435 - Hard Nylon  
 56413439 - Prolene  
 56413436 - 180 Grit  
 56413437 - 80 Grit

### 48" BRUSHES

56413352 - Soft Nylon  
 56413353 - Hard Nylon  
 56413357 - Prolene  
 56413354 - 180 Grit  
 56413355 - 80 Grit

## CYLINDRICAL BRUSH APPLICATION GUIDE (SUGGESTION ONLY)

Application	80 Grit	180 Grit	Polypro- pylene	Stiff Nylon	Soft Nylon
<b>Stripping:</b>					
Concrete	X				
Terrazzo	X				
Ceramic/Quarry tile	X				
Vinyl tile	X				
<b>General Scrubbing:</b>					
Concrete	X	X	X	X	
Terrazzo		X	X	X	X
Ceramic/Quarry tile		X	X	X	X
Marble		X		X	X
Vinyl tile		X	X	X	X
Raised-rubber tile		X			X

## SQUEEGEE BLADE SELECTOR GUIDE

Gum Rubber: Provides superior wiping action on tile, terrazzo, and polished floors.

Red Gum Rubber: Provides longest life on finished or unfinished concrete floors.

Polyurethane: Oil resistance provides superior life in applications with oily floors.

### SQUEEGEE BLADE APPLICATION GUIDE(SUGGESTION ONLY)

Performance Traits	Gum Rubber (Natural Rubber)	Red Gum Rubber (Natural Rubber)	Polyurethane/ Pentathane
Resilience	X		X
Tear Strength	X		X
Abrasion Resistance	X	X	X
Wear Resistance		X	X
Low Temp Flexibility	X	X	
High Temp Flexibility	X		X
Ozone Resistance			
Chemical Resistance			X
<b>Applications</b>			
Oil Resistant Applications			X
General Purpose	X	X	X
Hot Water Applications		X	X
Chemical Applications			X
<b>Color</b>	Tan	Red	Translucent





Nilfisk-Advance Equipamentos de Limpeza Ltda.  
Av. Dep. Emílio Carlos, 2.499 - Bairro do Limão - 02721-200  
São Paulo - SP - Brasil  
[www.nilfisk-advance.ind.br](http://www.nilfisk-advance.ind.br)  
[www.plataforma.ind.br](http://www.plataforma.ind.br)  
Tel.: (11) 3959-0300  
Fax: (11) 3959-0306  
©2014 Nilfisk-Advance, Inc.



14600 21st Avenue North  
Plymouth, MN 55447-3408  
[www.advance-us.com](http://www.advance-us.com)  
Phone: 800-989-2235  
Fax: 800-989-6566  
©2014 Nilfisk-Advance, Inc.

---

**A Nilfisk-Advance Brand**