



OPERATING & MAINTENANCE MANUAL



**LAVA, SCUP, CLIP,
CALIFRONIA/DROP, RIVIERA & GARAGE CAR DETAILER
CARPET & UPHOLSTERY EXTRACTORS**

**Read Safety & Operating Instructions
Before Commencing Operation**

THESE INSTRUCTIONS MUST BE READ AND ADHERED TO BEFORE OPERATING THIS MACHINE.

INTRODUCTION

Your new Kerrick Upholstery/Carpet cleaning machine is a wise investment. Manufactured in Italy this is a high quality unit that if treated properly will give many years of service.

To get the best from your Kerrick machine we suggest you follow the operating and maintenance details contained in this document.

SAFETY MANAGEMENT PROCEDURES

These Instructions must be read and adhered to before operating this machine. Failure to do so may result in injury to the operator, nearby persons, or damage to property, or this machine.

- The packaging around the cleaner (plastic bags, clips, ties etc) pose a choking hazard and should be kept out of the reach of children and animals.
- This machine is not designed to be used by children or mentally disabled individuals and if used incorrectly can be harmful.
- The end of the suction hose / accessories must be kept away from your face and the faces of others at all times during operation as the suction created can cause damage to the eyes, ears and mouth in particular.
- This machine is **NOT** intended for use on animals.
- Do not use adapters or multiple sockets, without knowing the electrical input of each user.
- If any electrical extension is used, check that it corresponds to the absorbed power of the machine and that the connection of the plug with the socket is complying and sealed.
- Take care of the electrical cable. It must be protected from water, tears and chemical agents. Do not repair the cable in case of tears, but replace it with a new one. The cable must be replaced by the manufacturer or its service agent or a similarly qualified person in order to avoid further hazard.
- **DO NOT** pull the cable to drag the machine or to pull the plug out.
- Pull the plug out only when the machine is switched off.
- **DO NOT** handle the plug with wet hands.
- Unplug cable before servicing machine.
- **DO NOT** spray water near electrical outlets.
- **DO NOT** use the machine to spray or to suck corrosive liquids (acids or bases) and explosive or flammable liquids.

- Never use flammable liquids or operate machine in or near flammable liquids, vapors or combustible dusts.
- When using the unit as a wet vacuum cleaner, you must check the level of water in the recovery tank, to ensure it doesn't get to high. If water is sucked into the motor it can cause electrical damage.
- If the chemical you are using produces foam, or if you are cleaning carpet previously treated with shampoo, you must add anti-foaming liquid into the recovery tank. Foam sucked up by unit that gets into the motor can cause damage over the long term.
- Should the machine leak liquid or foam, make strange noise or get abnormally hot switch off the machine immediately and take it in for a service.
- Should the machine tip over, lift and correct the machine **BEFORE** switching it off.
- This extractor should **NEVER** be immersed in water.
- **DO NOT** use solvent or strong detergents to clean this machine.
- When using warm water for upholstery/carpet cleaning the water temperature **MUST NOT EXCEED 40°C**
- Store the machine, well cleaned, in a cool and dry place.

WARNINGS:

- All the electrical repairs must be performed by qualified personal only!
- Kerrick cannot be held responsible for any damage/injury caused to persons or property, because of the incorrect use of the machine due to procedures being used which are not specified in this instruction manual.

ASSEMBLY DETAILS

The Cleaning System – Injection Extraction

Carpets are a natural dust trap and breeding ground for germs and therefore require a professional clean from time to time.

Kerrick's hygienic and easy to use system injects water mixed with detergent into the pile of the carpet dissolving dirt and grime that has become trapped there. As the carpet is being shampooed the waste water is sucked back up into the extraction machine making for mess free, easy cleaning and quicker drying times.

To avoid causing any damage to the fibres of the carpet ensure you read and adhere to all the instructions for both the extractor machine and the chemical detergent. As a precaution always test a small area of the carpet first.

For an extra strength clean, fill the tank with water and detergent and spray the carpet without using any suction. Allow the solution to sit in the carpet and break down the dirt for a few minutes. Then go over the area again with the injection extraction system but this time using only clean water and **NO** detergent.

1) INSTRUCTIONS FOR MODELS CLIP, SCUP & LAVA

The Clip and Lava are multi-purpose cleaners designed to clean carpet, hard floors and upholstery. The Scup is designed for car detailing and upholstery cleaning.

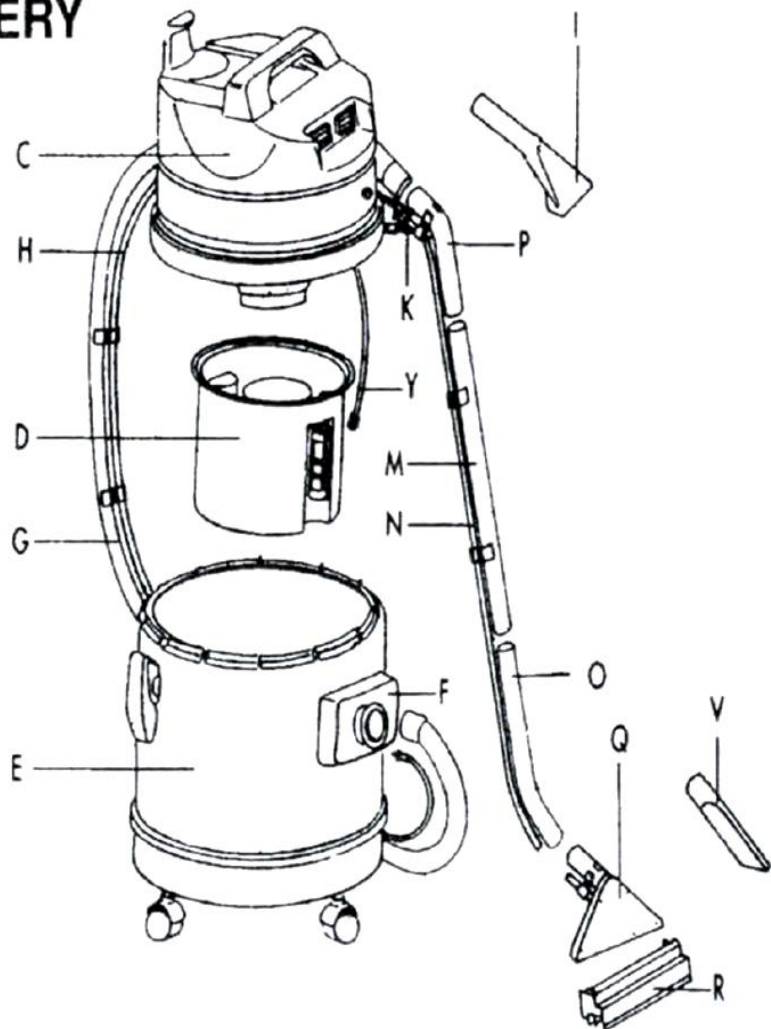
Read safety and operating instructions before commencing operation. Assembly details and information on how to carryout various cleaning operations are outlined below:

WARNINGS:

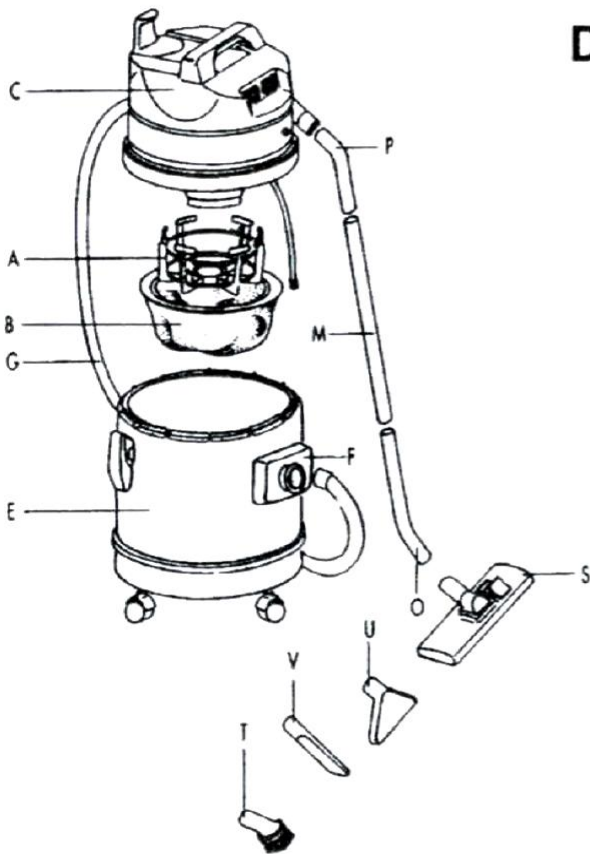
- When using hot water for upholstery/carpet cleaning the water temperature **MUST NOT EXCEED 40°C**
- Should the machine tip over, lift and correct the machine **BEFORE** switching it off.

CARPET/UPHOLSTERY CLEANING

- C - Motor head
- D - Clean water tank with liquids-float
- E - Main tank
- F - Suction inlet
- G - Flexible vacuum hose
- H - Injection fluid hose
- I - Upholstery tool
- K - Fluid control trigger
- M - Extension wand
- N - Fluid hose
- O - Bottom wand
- P - Top wand
- Q - Carpet tool
- R - Squeegee head
- Y - Fluid pick-up tube
- V - Crevis nozzle



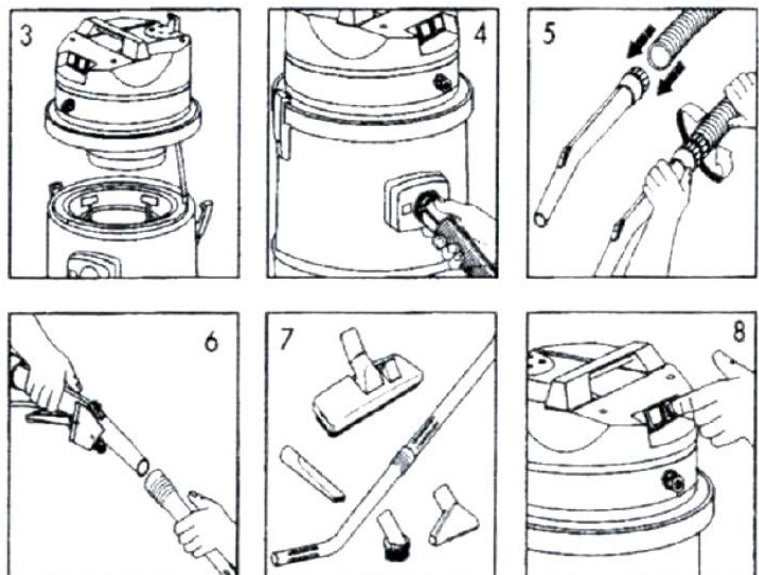
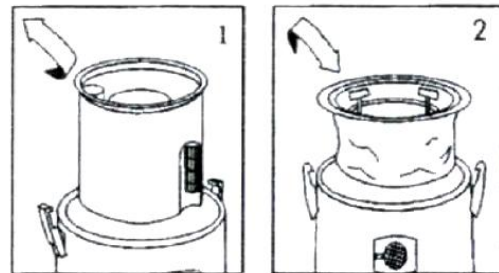
DRY VACUUM CLEANING



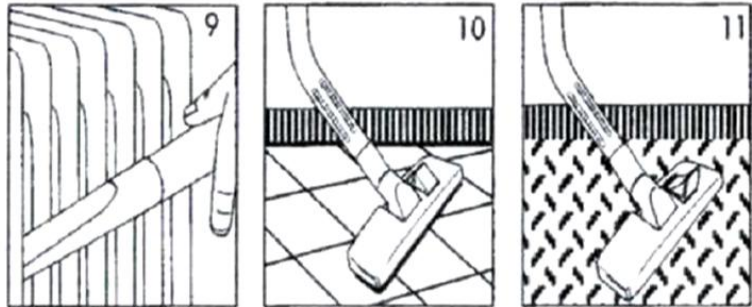
- A - Filter stretching basket
- B - Cloth filter
- C - Motor head
- E - Main tank
- F - Suction inlet
- G - Flexible vacuum hose
- M - Extension wand
- O - Bottom wand
- P - Top wand
- S - Floor tool
- T - Brush
- U - Stair & upholstery nozzle
- V - Crevis nozzle

DRY VACUUMING

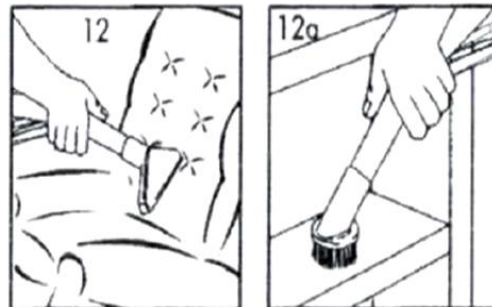
- 1 - Remove the clean water tank with liquids float from the main tank on all models except Zip.
- 2 - Set the cloth filter with filter stretching basket (A) (B) into the main tank (E).
- 3 - Hook up the motor head on to the main tank and lock it up with the two clips.
- 4 - Fix the flexible hose into the suction inlet.
- 5 - Screw the top wand (P) onto the suction hose.
- 5a - Fit the two piece extension wand (M&O) together.



- 6 - Fit top curved (P) into extension.
- 7 - Fix the most suitable accessory for the job to the lower extension.
- 8 - Activate suction by pressing the red switch, after having connected the machine to the power socket.

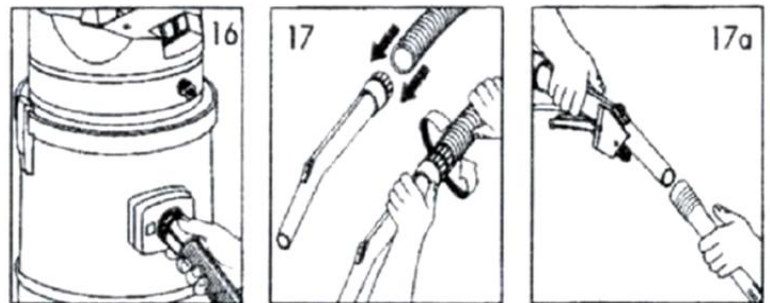
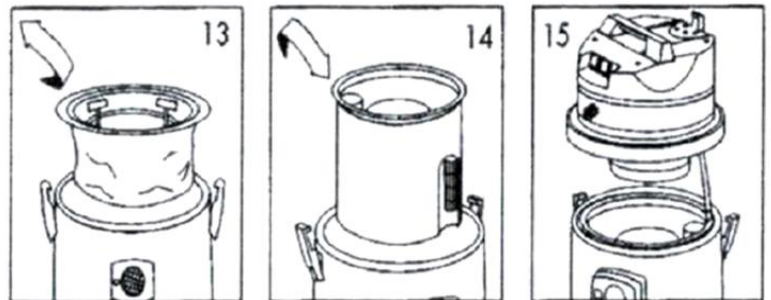


9-10-11-12-12a Typical examples of dry vacuuming.



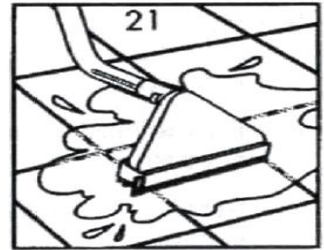
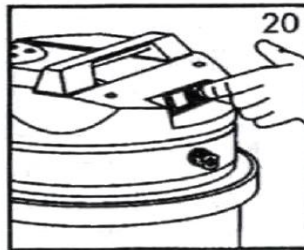
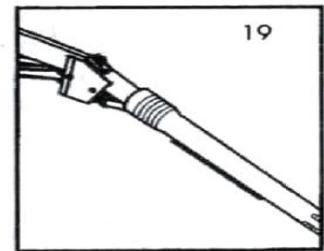
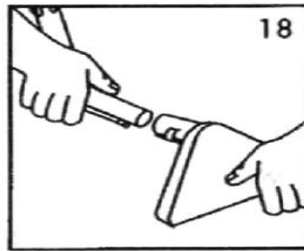
WET VACUUMING

- 13- Remove the cloth filter (B) together with the filter stretching basket (A) from the main tank.
- 14- Set the clean water tank with liquids float into the main tank except model Zip.
- 15- Place the motor head on the tank, ensuring the chemical suction tube is placed in the smaller opening leading to the clean water tank. Clip the motor head into place. All models except Zip.
- 16- Fix the flexible hose into the suction inlet.



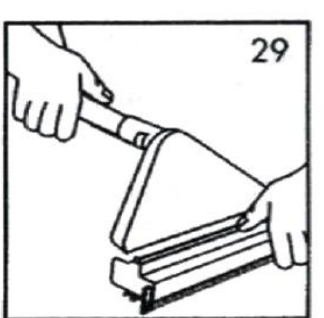
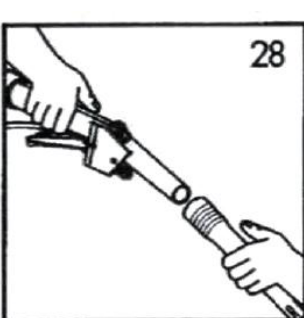
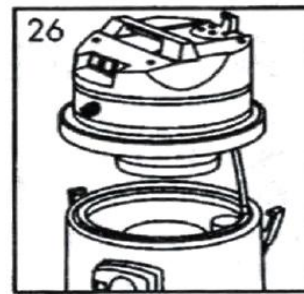
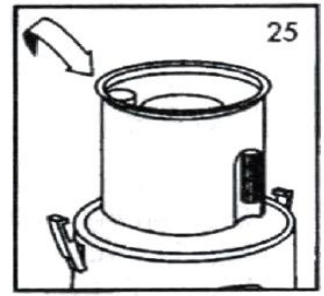
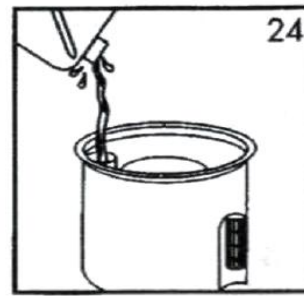
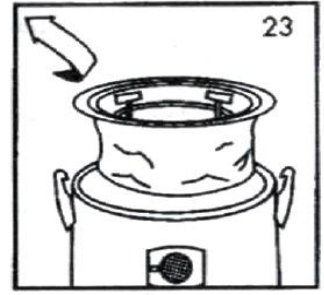
17/17a - Follow fitting of top wand as detailed in 5&6 above.

- 18 - At the bottom end of the wand, fix the clear plastic floor cleaning head. For hard floors, clip squeegee attachment to the floor cleaning head.
- 19 - Fix the solution hose with the special clips to the wand.
- 20 - Activate suction by pressing the red switch, after having connected the machine to the power socket.
- 21-22- Typical examples of wet vacuuming.

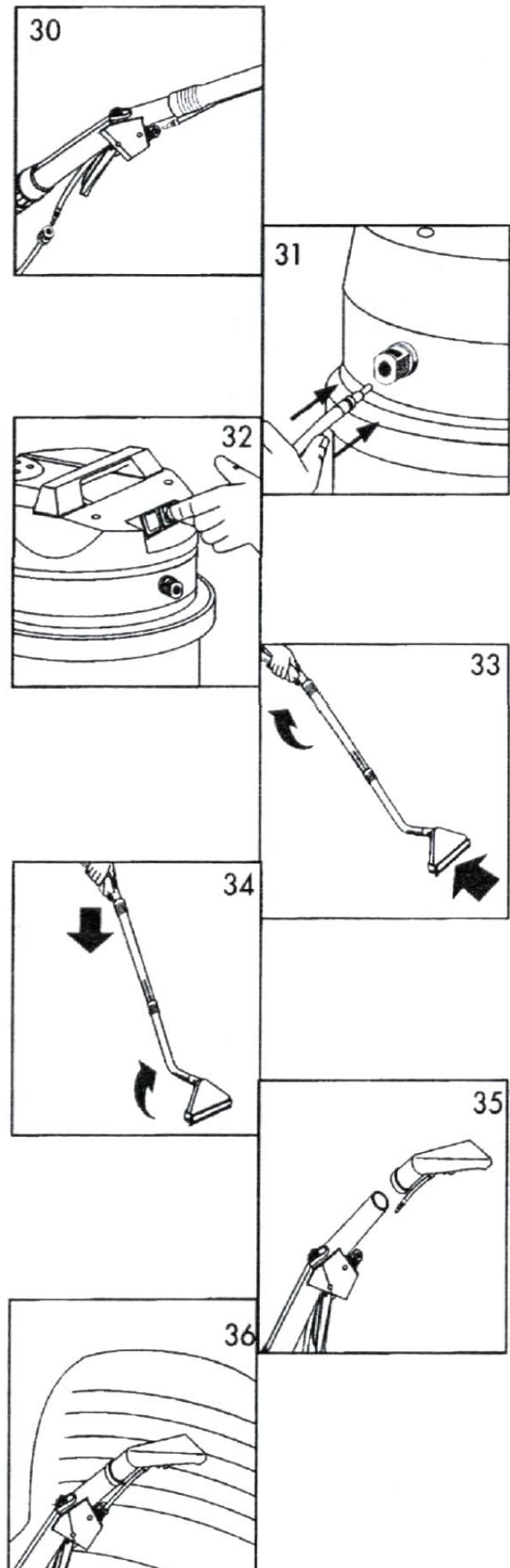


CARPET/UPHOLSTERY CLEANING

- 23 - Remove the cloth filter together with the filter stretching basket from the main tank.
- 24-25- Pour the detergent and water solution into the clean water tank through the smaller hole. Set the fluid tank into the main tank.
- 26 - Place the motor head on the tank, ensuring the chemical solution tube is placed in the smaller opening leading to the clean water tank. Clip the motor head into place.
- 27 - Fix the flexible hose into the suction inlet.
- 28 - Fix at the end of the flexible hose, the wand, the extension and the top bend.
- 29 - At the bottom end of the wand, fix the clear plastic floor cleaning head. For hard floors, clip squeegee attachment to the floor cleaning head.



- 30 - Clip trigger to the wand, connecting the solution hose to the adapter at the front of the trigger mechanism.
- 31 - Clip the small solution hose to the larger vacuum hose and wand, with the large half round clips provided.
- 32 - Having plugged in the machine to the power supply, activate the pump by pressing the green switch. To activate the vacuum motor, press the red switch.
- 33 - Pull the trigger to spray detergent at the same time pulling the cleaning tool toward you.
- 34 - At the end of the stroke, release the trigger, then repeat the previous operation, vacuuming without fluid being applied.
- 35 - If you intend to wash upholstery, disconnect the trigger mechanism from the wand and from the fluid, hose running down the wand. Remove the vacuum hose from wand. Place vacuum hose into upholstery tool and clip trigger mechanism on to upholstery tool. Fit the fluid hose on the upholstery tool onto the trigger. Now proceed to shampoo as at points 33 and 34.
- 36- Example of the upholstery tool in use



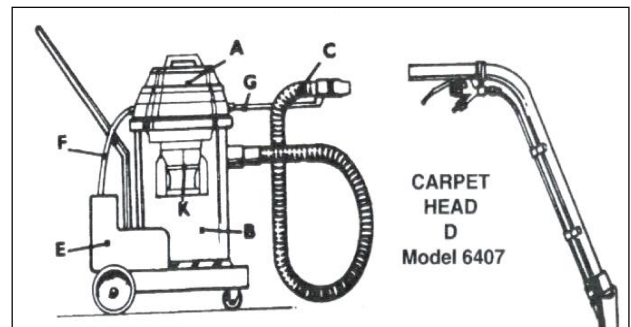
2) INSTRUCTIONS FOR MODELS CALIFORNIA/DROP, RIVIERA, GARAGE CAR DETAILER, FLORIDA & ATLANTA

The California/Drop and Riviera are designed to clean carpet, hard floors and upholstery. The Garage Car Detailer is designed for car detailing and upholstery cleaning.

The Florida and Atlanta are power head tools that attach to your extractor to offer streamlined, professional cleaning. The Florida is a carpet scrubbing head while the Atlanta is a hard floor scrubbing head.

Preparing Your California/Drop & Riviera for Carpet Cleaning

- 1) Check that the main tank is empty and that the float and float cage (K) are in place on the underside of the motor head (A).
- 2) Using the clips on the side lock the motor head (A) onto the tank (B).
- 3) Lock the main suction hose (C) into the tank and fix the tool end of the hose to the carpet tool (D).
- 4) Pre-mix your Kerrick carpet cleaning detergent as per its instructions and fill the detergent tank (E)
- 5) Check the detergent tank filter is clean and in place then connect the detergent tank suction tube (F) into the pump inlet on the motor head (A).
- 6) Fix the detergent discharge hose (G) to the pump outlet on the motor head (A), taking special care to ensure that the hoses are correctly connected.
- 7) Attach the detergent discharge hose to carpet tool (D) using the hose clips.
- 8) Fix the detergent discharge hose (G) to the main suction hose (C).
- 9) Check that your machine and the voltage at the power outlet are the same, then plug the electrical cable into the power outlet. Your machine is now ready for carpet cleaning.



Cleaning Carpet with the California/Drop & Riviera

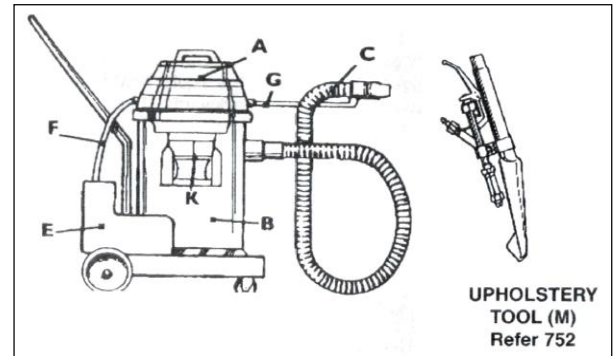
Turn on the suction motors and pump, place the carpet tool firmly on the carpet. Gently pull the detergent trigger valve to start the liquid flow and then drag the carpet tool towards you in a backwards motion.

The liquid will be injected into the carpet and then be extracted by the suction of the vacuum. A second pass over the same section of carpet with the detergent trigger valve closed will remove any excess fluid not picked up on the first pass. Repeat the process over the entire carpet area, and then leave to dry with the windows open for a few hours.

Upholstery Cleaning with California/Drop & Garage Car Detailing Models

Assemble the machine following the same procedures as for carpet cleaning, however substitute Carpet Tool 750 (D) for Upholstery Tool 752 (M) for

Place the upholstery head (M) firmly onto the area to be cleaned, then pull the detergent trigger valve to start the flow of liquid and drag the upholstery tool towards you. The detergent will be injected into the upholstery cleaning it and then be extracted by the suction of the vacuum.

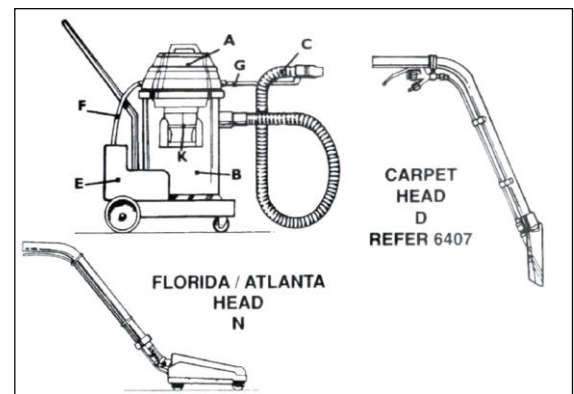


A second pass over the same section of upholstery with the detergent trigger closed will remove any excess fluid not picked up by the first pass. Repeat the process over the total upholstery area and then leave to dry for a few hours in a well ventilated room.

Florida / Atlanta Power Brush Head

These powerful brush heads are designed to be used with your California/Drop or Riviera Extractor System to provide a universal floor care system. The unique high speed cylindrical brush action enables carpet, rubber, marble, linoleum and parquet floors to be thoroughly cleaned without causing any damage.

Assemble your California/Drop following the same procedure as for carpet cleaning, substituting Carpet Tool (D) for the Atlanta or Florida power brush (N).



Insert the Atlanta/Florida power cord into the power socket located on the motor head (A). The power brush will operate when the suction motor is turned on.

Select an area to be cleaned, switch on the suction motor and pump, and push the power brush forwards while pulling the trigger valve. At completion of the forward stroke release the detergent valve and tilt the Florida/Atlanta head forward, bring the brush into contact with the surface and drag the power brush towards you while moving backwards. Repeat the procedure over the total surface area that is to be cleaned.

Dry Vacuum Operation of California/Drop, Riviera & Garage Car Detailer

Remove the detergent suction and discharge tube (G & F) from the motor head. **See image over the page.**

Undo the toggle latches, remove the motor head then clean and dry the tank.

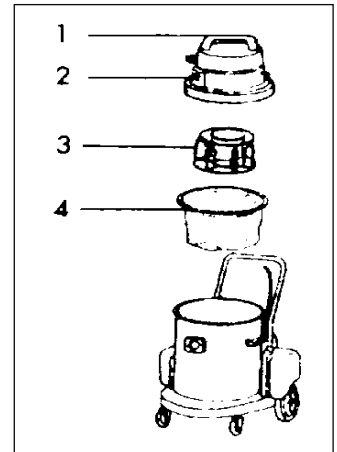
Fit the filter bag and filter bag ring (4), also ensure that the filter basket (3) is in place on the underside of the motor head (1).

Replace the motor head and re-clip the toggle latches.

Fit the tool you've selected for the job, switch on the suction motors (2).

Ensure you switch on the motors and not the pump. Carry out vacuuming as normal.

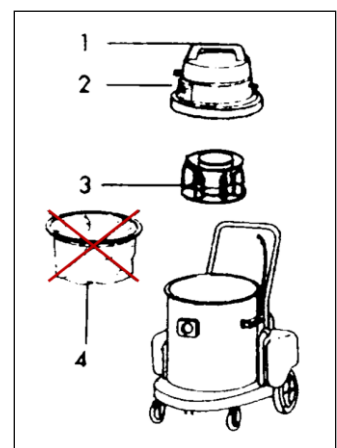
After each use empty the tank and remove and clean the filter bag. **NEVER** allow the tank to over fill.



Wet Pick Up Operation of California/Drop & Riviera

Assemble the machine following the same procedures as for carpet cleaning, however ensure the cloth filter (4) is removed from the container. Substitute the Carpet Floor Tool (D) for the Squeegee with inserts (VP02720). Turn on your suction motors and drag the squeegee tool across the floor towards you sucking up liquid as you go.

A second pass over the same area will remove any excess fluid not picked up by the first pass. Repeat the process over the total area to be cleaned. The trace amounts of liquid left should dry naturally (as with a floor that has recently been mopped).



TROUBLE SHOOTING

Shampoo Machines & Extractors		
Trouble	Possible Cause	Remedy
No fluid in the nozzle	Detergent tank empty	Fill tank
	Nozzle blocked	Clean nozzle
	Strainer in tank blocked	Clean strainer
	Pump not operating	Insert plug, switch on at motor switch
	Faulty motor	Return to Kerrick or Kerrick Service agent and have motor replaced
	Pump failure due to dirty/stuck valves	Remove strainer in detergent tank and flush out pump with clean water
	Faulty pump	Return to Kerrick or Kerrick Service agent and have pump replaced
	Pump overloaded/overheated	Allow pump to cool down and investigate cause / return to Kerrick or Kerrick Service agent for service and repair
Irregular spray pattern	Nozzle blocked or worn	Clean or replace as required
Insufficient operating pressure	Wrong or worn nozzle	Replace nozzle
	Detergent tank empty	Fill tank
Oil leaking in the area of crankshaft	Worn crankshaft seal or improperly installed oil seal retainer O-ring	Remove oil seal retainer and replace damaged O-ring and/or seals
	Bad bearing	Replace bearing
Insufficient vacuum	Tank full with float blocking motor inlet.	Empty tank
	Filter in centre of detergent tank clogged	Clean filter
	Faulty motor	Return to Kerrick or Kerrick Service agent and have motor replaced.
Float closes off	Waste water tank is full	Empty waste water tank
	Excessive foaming in waste water tank	Reduce detergent

MAINTENANCE

The machine should be cleaned daily after you have finished your work. The system, including the chemical intake, should be flushed out after use with clean water (pump half a litre of clean water through the system until the tank is completely empty).

Clean every part of the apparatus after using it; empty the tanks, shake the filters, clean the strainers and use a damp cloth to wipe it down inside and out. Examine hoses and electrical wiring for damage or wear. Check hose connections and couplings for leaks and replace as necessary. Motor brushes should be replaced a minimum of every 200 running hours.

KERRICK SERVICING

Kerrick's workshop facilities are staffed by experienced technicians providing servicing, repair and manufacturing for a range of products including; extractors, vacuum cleaners, water blasters, pressure cleaners, pumps and more.

We work on everything from commercial and light industrial to large heavy duty equipment and offer customized design build services. We also warehouse and ship a comprehensive range of spare parts for your convenience.

For more information on your product, to book in a service or repair or to order spare parts give Kerrick a call or send through an enquiry on our website. Contact details can be seen below:

KERRICK NEW ZEALAND

**0800 2 KERRICK (0800 253 774)
SALES@KERRICK.CO.NZ
WWW.KERRICK.CO.NZ**

KERRICK AUSTRALIA

**1300 KERRICK (1300 537 742)
SALES@KERRICK.COM.AU
WWW.KERRICK.COM.AU**