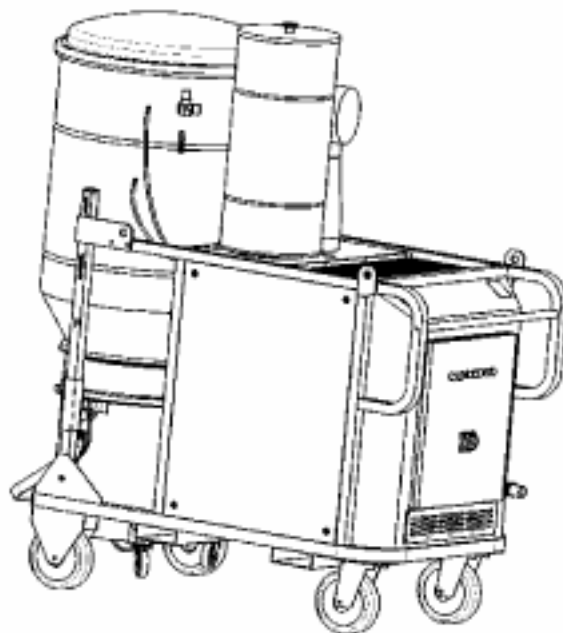


# PARTS LIST

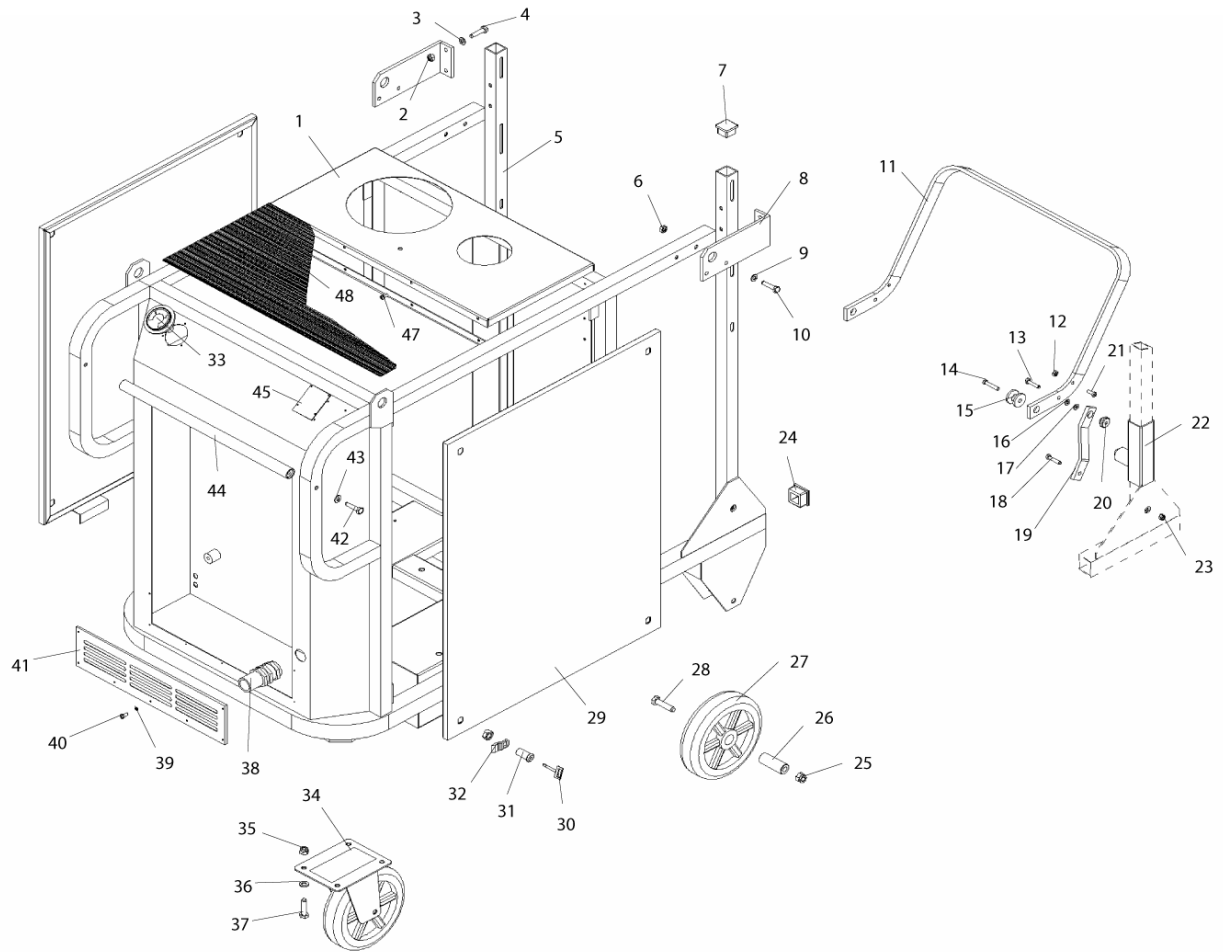


2018.02.07

# TABLE OF CONTENTS

---

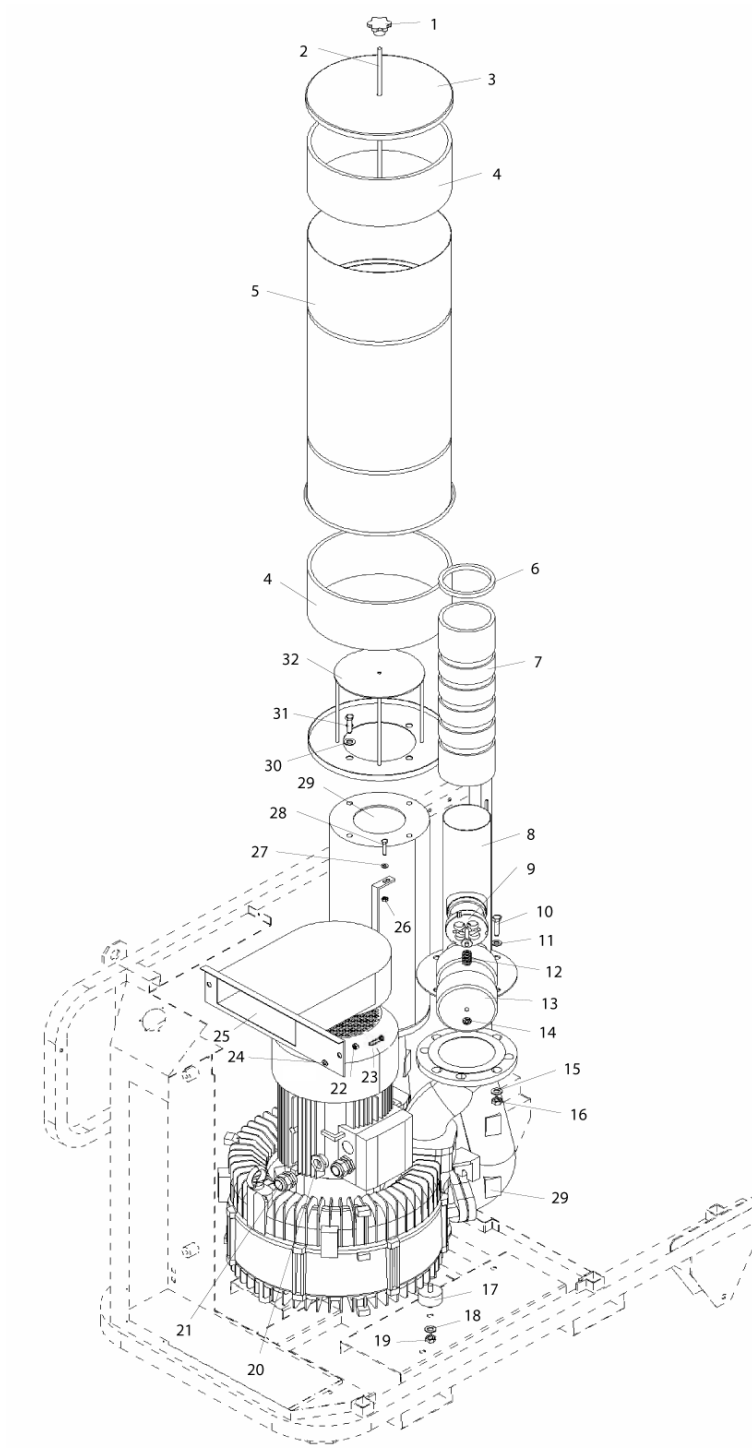
Frame .....	1
Suction unit - 1 .....	3
Suction unit - 2 .....	5
Hopper .....	7
Counterwassing .....	9
Electric board .....	11
Container .....	13
Control panel .....	15
Electric Board .....	17



No.	Part No.	Qty.	Description	Part Note
01	Z8 16128	1		
02	123456	4	HOBBYLINE PISTOL AND	
03	123456	4	HOBBYLINE PISTOL AND	
04	123456	4	HOBBYLINE PISTOL AND	
05	Z8 36113	1		
06	123456	4	HOBBYLINE PISTOL AND	
07	Z8 40035	2	SQUARE PLUG 40 x 40 PVC	
08	Z8 18343	1	LIFTING BRACKET	[1]
09	123456	8	HOBBYLINE PISTOL AND	
10	123456	4	HOBBYLINE PISTOL AND	
11	Z8 14074	1	IRON LEVER D560	
12	123456	2	HOBBYLINE PISTOL AND	
13	123456	2	HOBBYLINE PISTOL AND	
14	123456	2	HOBBYLINE PISTOL AND	
15	Z8 14038	2	RELEASE SHEAVE D560	
16	123456	2	HOBBYLINE PISTOL AND	
17	123456	2	HOBBYLINE PISTOL AND	
18	123456	2	HOBBYLINE PISTOL AND	
19	Z8 14090	2	LIFTING LEVER MOD.3997	[2]
20	Z8 14076	2	HIGH PIN RELEASE D560	
21	123456	2	HOBBYLINE PISTOL AND	
22	Z8 36056	2	MOBILE SLIDER 3997	[2]
23	123456	2	HOBBYLINE PISTOL AND	
24	Z8 40036	2	SQUARE PLUG 50 x 50 PVC	
25	123456	2	HOBBYLINE PISTOL AND	
26	Z8 14265	2		
27	Z8 40250	2	CASTOR D250 PLATE 3997	
28	123456	2	HOBBYLINE PISTOL AND	
29	Z8 35040	2	LATERAL PANEL 3997	[1]
30	Z8 40245	1	KEY	
31	Z8 40270	8	PANEL LOCK MOD.3997	
32	Z8 40271	8	CAM x CLOSURE 3997	
33	Z8 40057	1	VACUUM GAUGE 6000	
34	Z8 40251	2	WHEEL FIX D250 MOD.3997	
35	123456	8	HOBBYLINE PISTOL AND	
36	123456	8	HOBBYLINE PISTOL AND	
37	123456	8	HOBBYLINE PISTOL AND	
38	Z8 39570	1	METAL RING NUT PG29	[2]
39	123456	7	HOBBYLINE PISTOL AND	
40	123456	7	HOBBYLINE PISTOL AND	
41	Z8 13213	1		
42	123456	2	HOBBYLINE PISTOL AND	
43	123456	2	HOBBYLINE PISTOL AND	
44	Z8 18344	1	HANDLE MODEL 3997	[1]
45	Z8 17015	1	3-PHASE PLATE ALUMINIUM	

## Part Notes:

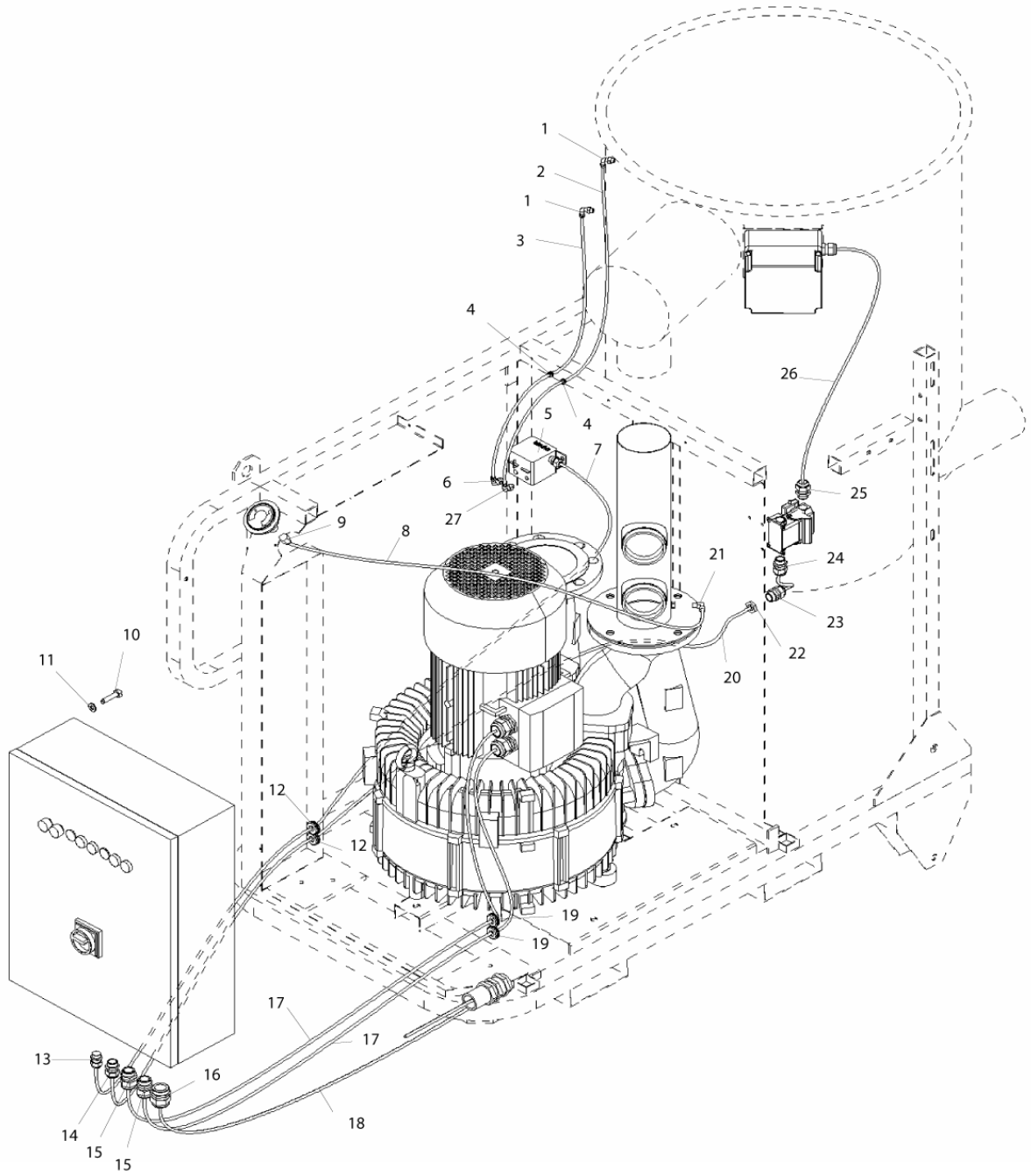
- [1] - CONTACT PM IN ZOCCA  
 [2] - SEE SM-SP-007



No.	Part No.	Qty.	Description	Part Note
01	Z8 40576	1	KNOB D60 M10 NO HOLE	
02	123456	1	HOBBYLINE PISTOL AND	
03	Z8 12333	1		
04	Z8 17529	1	KIT SOUNDPROOF MOD3997	[1]
05	Z8 31553	1	CYLINDER DIFFUSER 3997W R7001	
06	123456	1	HOBBYLINE PISTOL AND	
07	Z57 24125	1	TUBE D120 POLYURETHANE COMPONENT ATEX	
08	Z8 32194	1	CONNECTION SUCTION 3997W	
09	Z8 34025	2	RELIEF VALVE 3	
10	123456	4	HOBBYLINE PISTOL AND	
11	123456	4	HOBBYLINE PISTOL AND	
12	Z8 14251	2	SPRING X P.R.VALVE 3	
13	Z8 31674	2	MUFFLER P.R.VALVE 3 COMP	
14	123456	2	HOBBYLINE PISTOL AND	
15	123456	4	HOBBYLINE PISTOL AND	
16	123456	4	HOBBYLINE PISTOL AND	
17	Z8 40063	3	PAD D60x30 M12 2M	
18	123456	3	HOBBYLINE PISTOL AND	
19	123456	3	HOBBYLINE PISTOL AND	
20	Z8 40750	2		
21	Z8 39794	2	CABLE GLAND M32 PA	[2]
22	123456	2	HOBBYLINE PISTOL AND	
23	123456	2	HOBBYLINE PISTOL AND	
24	Z8 38036	2	SCREWING FILET M6	
25	Z8 32443	1		
26	123456	1	HOBBYLINE PISTOL AND	
27	123456	1	HOBBYLINE PISTOL AND	
28	123456	1	HOBBYLINE PISTOL AND	
29	Z4 55300	1		
30	123456	4	HOBBYLINE PISTOL AND	
31	123456	4	HOBBYLINE PISTOL AND	
32	Z8 31552	1		

## Part Notes:

- [1] - SEE SM-SP-007  
 [2] - CONTACT PM IN ZOCCA

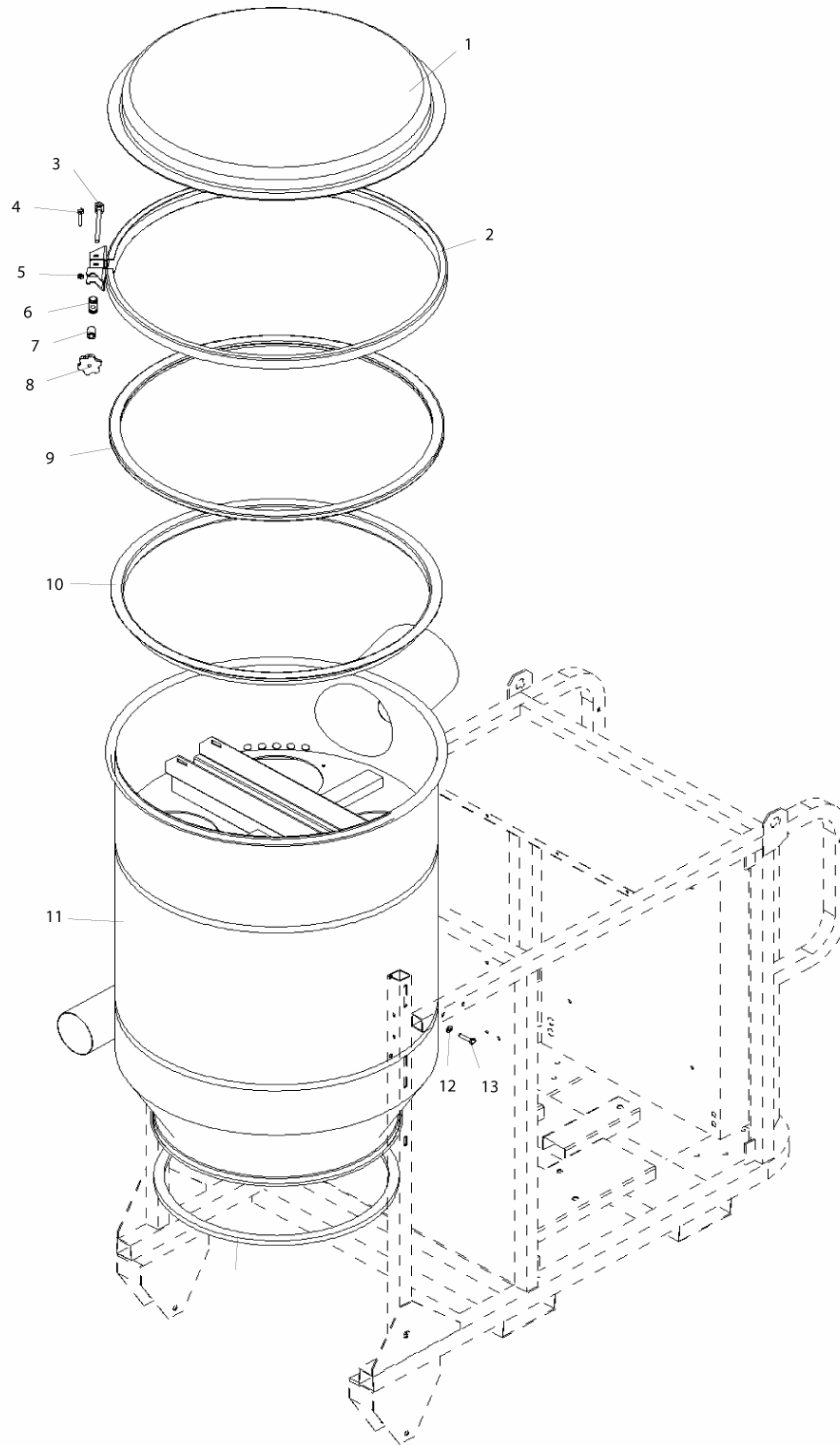


No.	Part No.	Qty.	Description	Part Note
01	Z8 40179	2	CONNECTION BENT SWIVEL 1/8MD6	
02	Z8 24076	1	TUBE RILSAN 6x4 x VAC. GAUGE	
03	Z8 24076	1	TUBE RILSAN 6x4 x VAC. GAUGE	
04	Z8 39039	2	PLATE PASS D9	
05	Z8 40257	1	PRESS.	
06	Z8 40179	1	CONNECTION BENT SWIVEL 1/8MD6	
07	Z8 39035	1	CABLE 4G1.5 FROR AL M	
08	Z8 24076	1	TUBE RILSAN 6x4 x VAC. GAUGE	
09	Z8 40196	1	CONNECTION STRAIGHT 1/4F D6	
10	123456	4	HOBBYLINE PISTOL AND	
11	123456	4	HOBBYLINE PISTOL AND	
12	Z8 39038	2	PLATE PASS D15	[1]
13	Z8 39208	1	CABLE GLAND PG11 PA	
14	Z8 39055	1	CABLE PRESS	
15	Z8 39205	2	CABLE GLAND PG21 PA	
16	Z8 39263	1	CABLE GLANDPG29 OTT.	[2]
17	Z8 39086	1	CABLE 4G6 NE. AL M	
18	Z8 39034	1	CABLE 4G10 NE. AL M	
19	Z8 39040	2	PLATE PASS D22	[1]
20	Z58 39631	1	CABLE 7G1 FROR AL M	
21	Z8 40179	1	CONNECTION BENT SWIVEL 1/8MD6	
22	Z8 39568	1	METAL RING NUT PG16	
23	Z8 39055	1	CABLE PRESS	
24	Z8 39055	1	CABLE PRESS	
25	Z8 39055	1	CABLE PRESS	
26	Z58 39631	1	CABLE 7G1 FROR AL M	
27	Z8 40150	1	CONNECTION BENT 1/4M D6	[2]

## Part Notes:

- [1] - CONTACT PM IN ZOCCA  
 [2] - SEE SM-SP-007

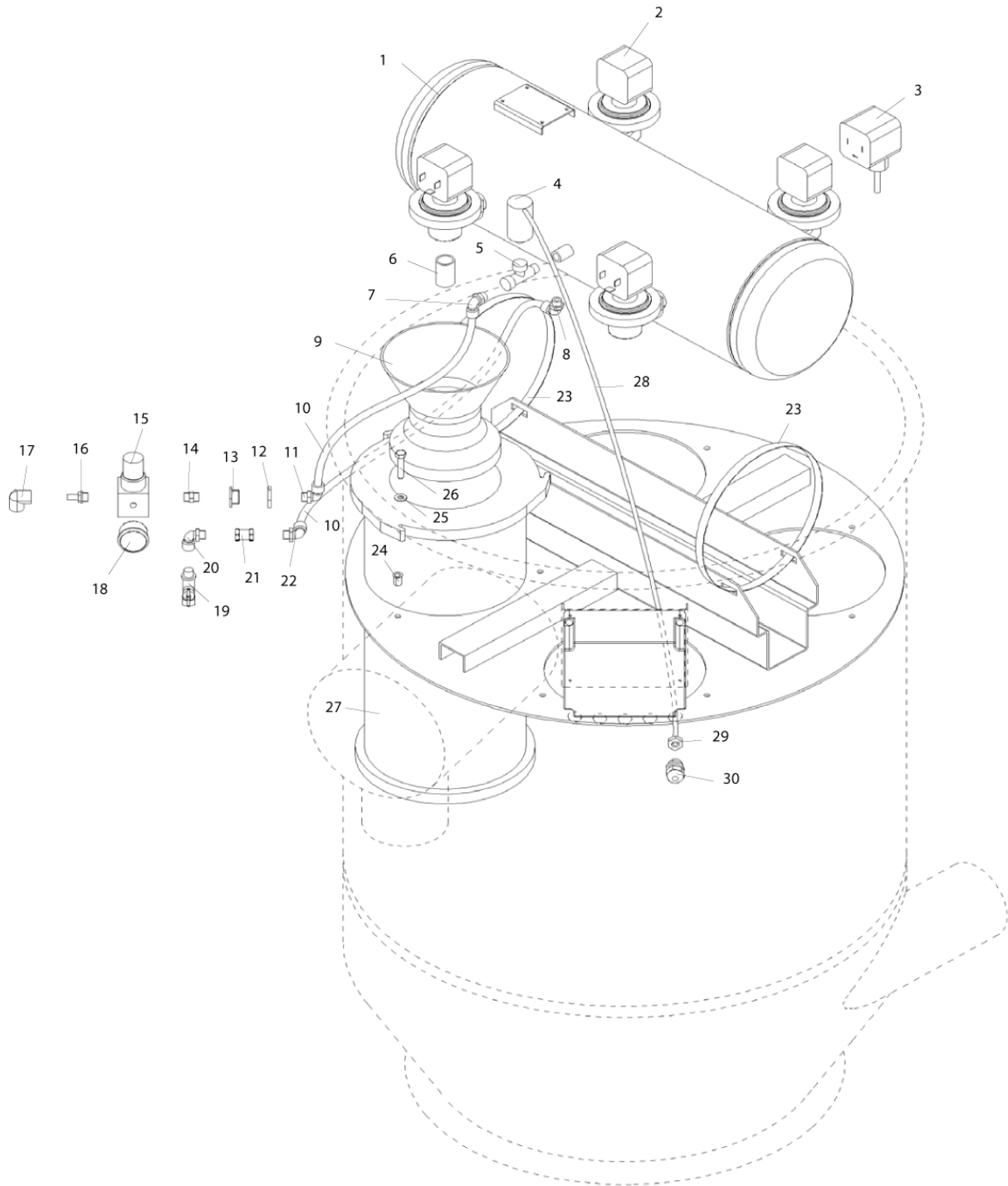




No.	Part No.	Qty.	Description	Part Note
01	Z8 31266	1	CAP CLOSED D780 FE	[1]
02	Z8 36192	1	BAND LOCK D.780	
03	Z8 14171	1	LOCK TIE ROD D780	[1]
04	123456	1	HOBBYLINE PISTOL AND	
05	123456	1	HOBBYLINE PISTOL AND	
06	Z8 14172	1	CLOSING PIN D780	[1]
07	Z8 14170	1	LOCK SPACER D780	[1]
08	Z8 40030	1	ADJUSTING KNOB	
09	Z58 17285	1	FILTER SEAL D780 BLACK	
10	Z8 15084	1	FILTER HOLDER RING D780 FE	
11	Z8 31116	1	FILT.CHAMBER D780/560x1185 FE CARTRIDGES	
12	123456	4	HOBBYLINE PISTOL AND	
13	123456	4	HOBBYLINE PISTOL AND	

## Part Notes:

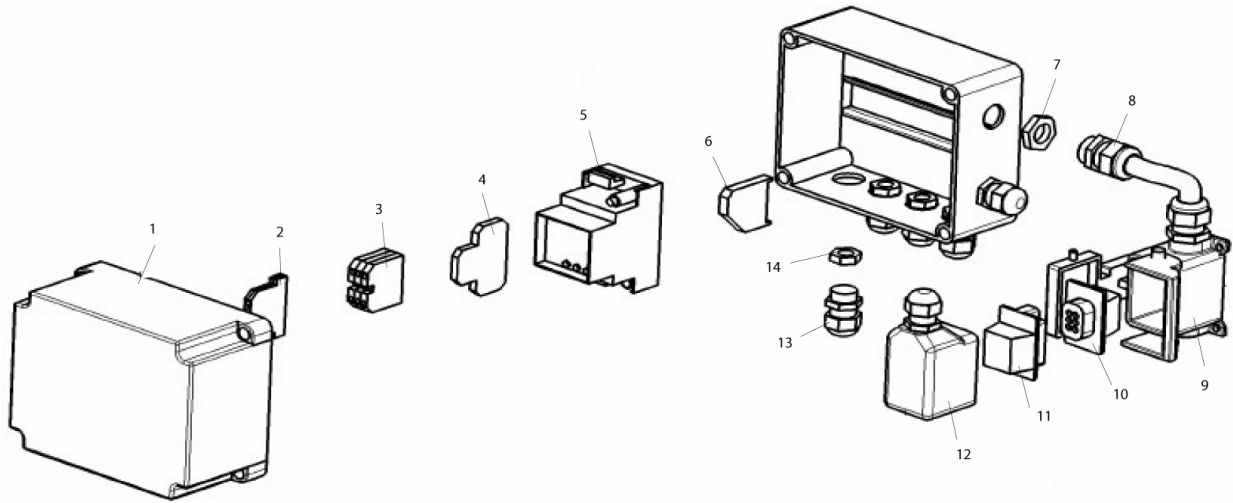
[1] - SEE SM-SP-007



No.	Part No.	Qty.	Description	Part Note
01	Z8 30210	1	TANK COMPLETE x D780	[1]
02	Z8 40902	4	VALVE AUTEL 3/4 24VAC	
03	Z8 39979	4	CABLE 3G1 WITH	
04	Z8 40305	1	PRESS.GAUGE FOR TANK	
05	Z8 40754	1		
06	Z8 13145	4	NOZZLE 3/4X40 KIT CARTRIDGES	
07	Z8 40180	1	CONNECTION BENT SWIVEL	
08	Z8 40180	1	CONNECTION BENT SWIVEL	
09	Z8 40336	4	VENTURI X CARTR. D225	
10	Z58 47067	1	TUBE POLYURETHANE D.5.5x8 BLUE	
11	Z8 40180	1	CONNECTION BENT SWIVEL	
12	Z8 40231	1	RING NUT 1/2 ZINC PLATED	
13	Z8 40076	1	REDUCER 1/2M-1/4F	
14	Z8 40232	1	NIPPLE 1/4 M/M	
15	Z8 40219	1	PRESSURE REGULATOR 1/4	
16	Z58 40547	1	CONN.ROD 1/4M D8	
17	Z58 47093	1	ELBOW CONN. D8 QUICK	
18	Z8 40098	1	MANOMETER D40 MOD.A17	
19	Z8 40183	1	COCK 1/4	
20	Z8 40555	1	CONNECTION BENT 1/4F-F	
21	Z8 40729	1	SLEEVE 1/4 F/F	
22	Z8 40180	1	CONNECTION BENT SWIVEL	
23	Z8 18084	2	TIE X TANK 200-231 SS	[1]
24	Z8 38062	12		
25	123456	12	HOBBYLINE PISTOL AND	
26	123456	12	HOBBYLINE PISTOL AND	
27	Z8 33141	4	FILTER CARTRIDGE D225X500	
28	Z8 39035	1	CABLE 4G1.5 FROR AL M	
29	Z8 39567	5	METAL RING NUT PG11	
30	Z8 39208	5	CABLE GLAND PG11 PA	

## Part Notes:

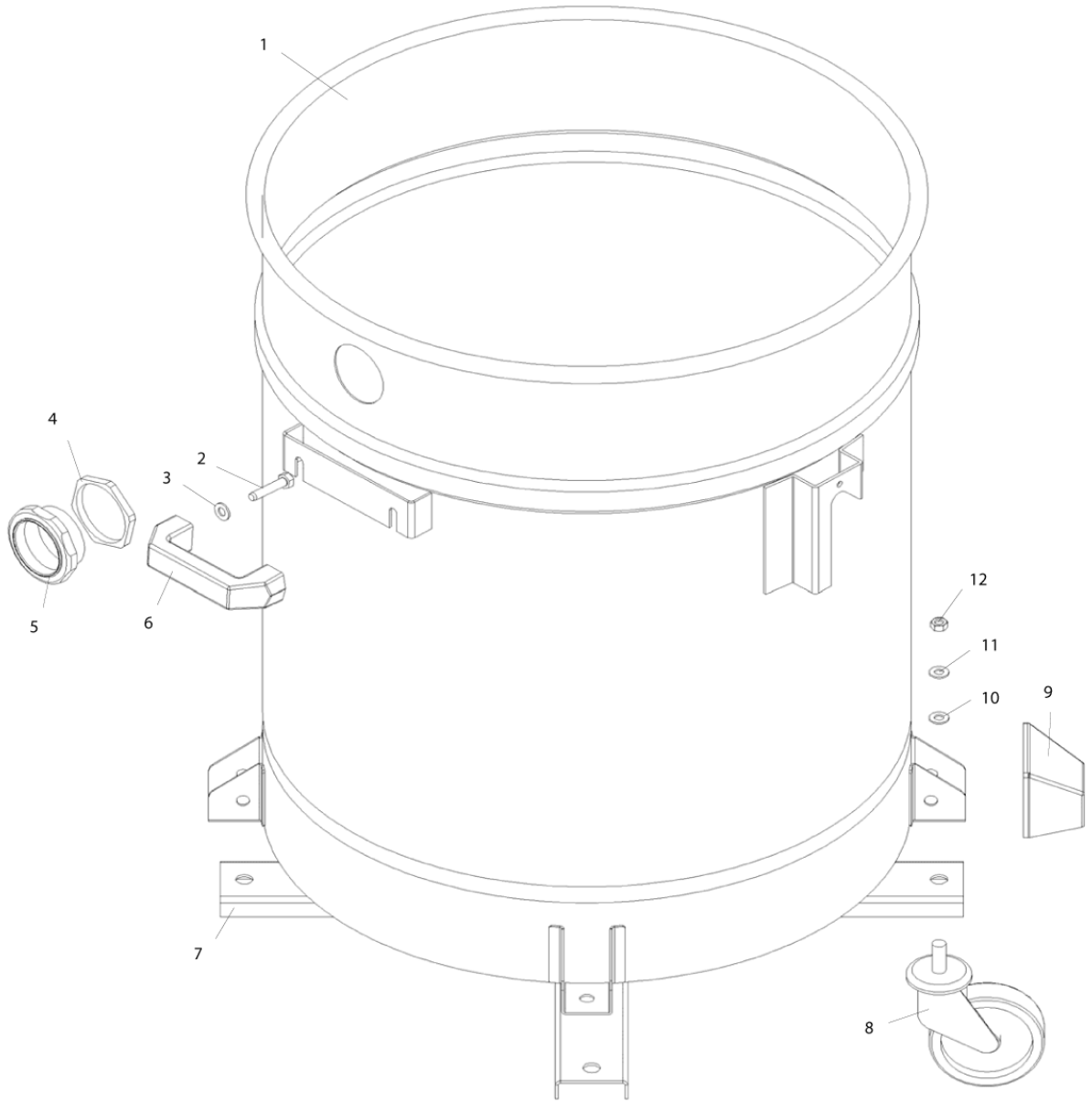
[1] - SEE SM-SP-007



No.	Part No.	Qty.	Description	Part Note
01	Z8 39232	1	BOX 200x154x148 IP56 PVC BxHxP	[1]
02	z8 39121	1	TERMINAL EARTH 6MMQ S	
03	z8 39120	3	TERMINAL LINE 6MMQ S	
04	Z8 39554	1	TERMINAL DOUBLE CONTACT 4MMQ DK4QV/35	
05	Z8 39110	7	CONTACT NC PUSH B. 3SB3	[2]
06	Z8 39296	1	TERMINAL STOP x GUIDE 35mm S	
07	Z8 39568	1	METAL RING NUT PG16	
08	Z8 39055	1	CABLE PRESS	
09	Z8 39328	1	FIX CASE x 6P+E ILME	
10	Z58 40547	1	CONN.ROD 1/4M D8	
11	Z8 39347	1	PLUG INSERT 6P+E ILME FOR METAL CASE	
12	Z8 39327	1	MOBILE CASE x 6P+E ILME	
13	Z8 39208	5	CABLE GLAND PG11 PA	
14	Z8 39567	5	METAL RING NUT PG11	

## Part Notes:

- [1] - OPENED BY MISTAKE  
 [2] - CONTACT PM IN ZOCCA-CHECK EC



No.	Part No.	Qty.	Description	Part Note
01	Z8 30025	1	CONTAINER D560x700 LT175	
02	123456	4	HOBBYLINE PISTOL AND	
03	123456	4	HOBBYLINE PISTOL AND	
04	Z8 38001	1	INSP.WINDOW RING NUT D50	
05	Z8 40020	1	INSP.WINDOW D50	
06	Z8 40205	2	HANDGRIP BACHELITE CONTAI	
07	Z8 36109	1	CONTAINER REINFORCEMENT D	
08	Z8 40008	4	WHEEL	
09	Z8 17021	4	BUMPER WHEEL HOLDER	
10	123456	4	HOBBYLINE PISTOL AND	
11	123456	4	HOBBYLINE PISTOL AND	
12	123456	4	HOBBYLINE PISTOL AND	

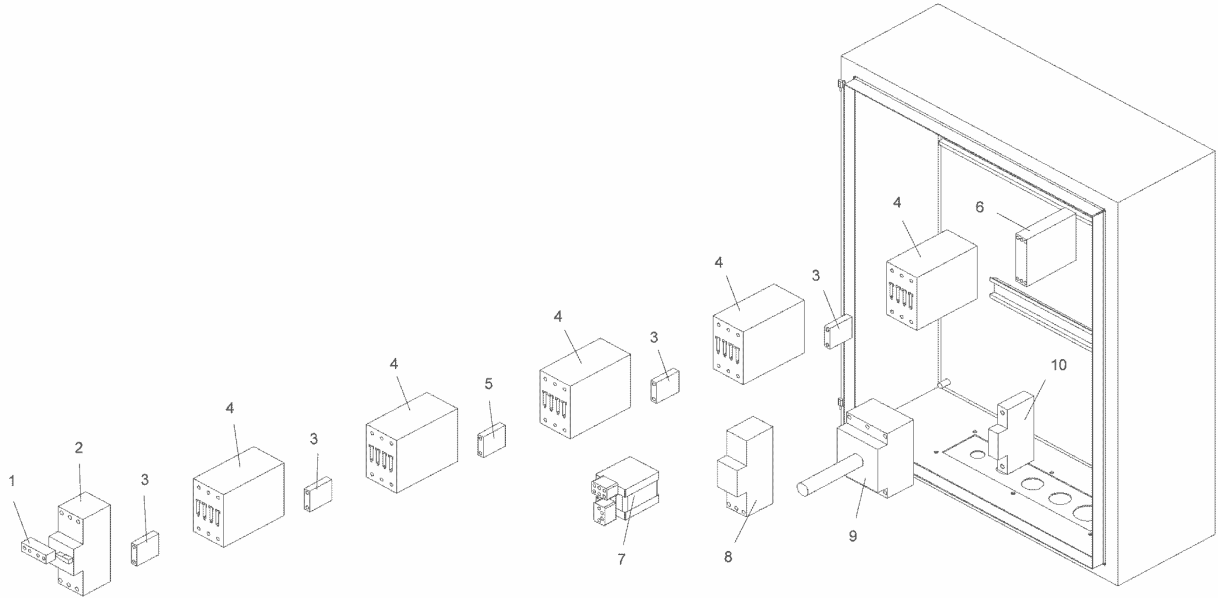




No.	Part No.	Qty.	Description	Part Note
01	Z8 39108	1	CONTACT NO PUSH B. 3SB3	[1]
02	Z8 39107	1	START PUSHBUTTON GREEN 3S	[1]
03	Z8 39110	1	CONTACT NC PUSH B. 3SB3	[1]
04	Z8 39109	1	PUSHBUTTON RED 3SB3	[1]
05	Z8 39113	4	LAMP HOLDER BA9 3SB3	[1]
06	Z8 39114	4	LAMP BA9 V24	
07	Z8 39111	1	PILOT LIGHT WHITE D22 3SB3	[1]
08	Z8 39112	2	PILOT LIGHT RED D22 3SB3	[1]
09	Z8 39522	2	PLUG BLIND CONTROL	
10	Z8 39334	1	PILOT LIGHT BLUE D22 3SB3	[1]
11	Z8 17347	1		
12	Z8 17361	1	LABEL VOLTAGE ON	
13	Z8 17089	1	LABEL 400V	
14	Z8 17267	1		

## Part Notes:

[1] - CONTACT PM IN ZOCCA-CHECK EC



No.	Part No.	Qty.	Description	Part Note
01	Z8 39726	1	AUX CONTACT CIRCUIT BREAKER SIRIUS S2-S3	[1]
02	Z8 39888	1	CIRCUIT BREAKER 40-50 A SIRIUS S2	[1]
03	Z8 39367	4	CONTACT AUX CONTACTOR	[1]
04	Z8 39261	5	CONTACTOR KW18.5 24VAC SIRIUS S2	[1]
05	Z8 39366	1	CONTACT AUX CONTACTOR NO SIRIUS S2-S12	[1]
06	Z8 39119	1	TIMER S/T 0-60 SEC.	
07	Z8 39105	1		
08	Z8 39693	1	HOURS COUNTER TO GUIDE	
09	Z8 39558	1	MAIN SWITCH 63A IP65 S	
10	Z8 39112	1	PILOT LIGHT RED D22 3SB3	[1]

## Part Notes:

[1] - CONTACT PM IN ZOCCA-CHECK EC

