

GD 930 GD 930S2, GD930Q

Model:
GD 930
GD 930 S2



Part List English

06-01-2014

Nilfisk

www.nilfisk.com

Table of Contents

GD 930 GD 930S2, GD930Q

Lower parts after serial no. 3510124601423 (12.201	3
Lower parts before serial no. 3510124601423 (11.2	6
Container and Filters	9
Nozzles 32 mm	11
Hose and tubes	13
Power brush UZ 984 line drawing	15
RECOMMENDED SPARE PARTS	17
Wiring	19

Lower parts after serial no. 3510124601423 (12.2)

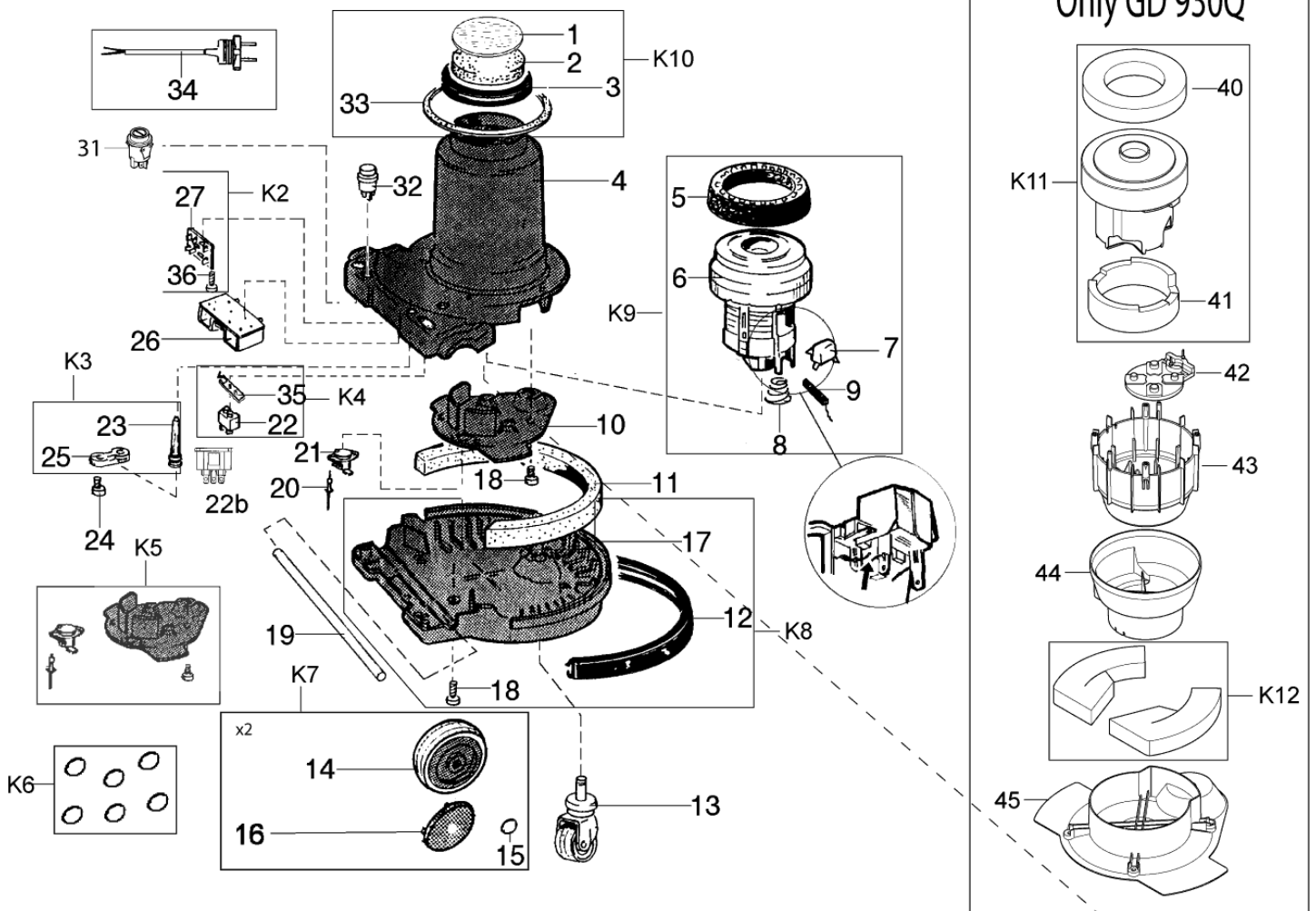
GD 930 GD 930S2, GD930Q

06-01-2014

Part List ID

GD9302

3



Lower parts after serial no. 3510124601423 (12.

GD 930 GD 930S2, GD930Q

06-01-2014

Part List ID
GD930Z

4

Pos	Part no.	Qty	Description	
1		1	NOTE COMMENT	part of kit K10
2	140 1535 510	1	FILTER UZ 930 110MM 3 PCS	
3		1	NOTE COMMENT	part of kit K10
4	140 7010 500	1	STAND GD 930/UZ 930S BLACK	
5	140 7901 000	1	Suspension Ring	
6		1	NOTE COMMENT	part of kit K9
7	140 8166 010	1	CAPACITOR	
8	140 7016 000	1	SPRING	
9	140 7719 000	1	CARBON BRUSH	
10		1	NOTE COMMENT	part of kit K5
11	140 7022 500	1	MUFFLER STRIP	
12		1	NOTE COMMENT	part of kit K8
13	140 7025 500	1	WHEEL FRONT 1 PC 930-SERIES	
14		1	NOTE COMMENT	part of kit K7
15		1	NOTE COMMENT	part of kit K7
16		1	NOTE COMMENT	part of kit K7
17		1	NOTE COMMENT	part of kit K8
18	140 9214 070	3	SCREW	
19	140 5059 000	1	SHAFT	
20	140 5694 000	1	POP NIT	
21	140 3894 500	1	THERMO PROTECTION KIT SCREW AND WIRE INCLUDED	
22	010 9678 500	1	OUTLET ELECTRICAL 230V 930-SERIES	
23		1	NOTE COMMENT	part of kit K3
24	140 9214 040	2	SCREW	
25	056 1014 060	1	TRIPPER	
26	140 7026 500	1	2S CIRCUIT BOARD 220-240V	
27		1	NOTE COMMENT	part of kit K2
31	107408927	1	SWITCH ON/OFF 930-SERIES	
32	140 7023 500	1	SWITCH SPEED FOR 930S2 SPEED REGULATION	
33		1	NOTE COMMENT	part of kit K10
34	140 6423 500	1	CORD EU L=15M	
35	010 9678 500	1	OUTLET ELECTRICAL 230V 930-SERIES	
36	140 7027 010	1	PT-SCREW WN 1451	
K2	107408928	1	BOARD ANTI STATIC	
K3	140 7035 500	1	PROTECTION SLEEVE KIT SLEEVE AND ANTI STRAIN CL	
K4	140 7665 500	1	OUTLET ELECT.15A 250V	
K5	140 7012 500	1	MOTOR PLATE GD/UZ930/S2 INCL. THERMO PROTECTOR	
K6	140 5058 500	1	LOCK WASHER GD 930	
K7	140 5055 500	1	WHEEL REAR 2PC 930-SERIES INCL. DISCS	
K8	107408930	1	BOTTOM PLATE 2-POLE DISCONNECTION	
K9	140 7902 500	1	FAN UNIT 230V UZ930s	
K9	140 7902 510	1	FAN UNIT 110-120V 1000W	
K9	140 7902 520	1	FAN UNIT 240V UZ934	

Lower parts after serial no. 3510124601423 (12.

GD 930 GD 930S2, GD930Q

06-01-2014

Part List ID

GD930Z

5

Pos	Part no.	Qty	Description
K9	140 7902 530	1	FAN UNIT KIT DOMEL 100V
22b	140 7665 500	1	OUTLET ELECT.15A 250V US
K10	140 1535 500	1	MOTOR PROTECTION 930-SERIES FILTER+GASKET

Lower parts before serial no. 3510124601423 (1'

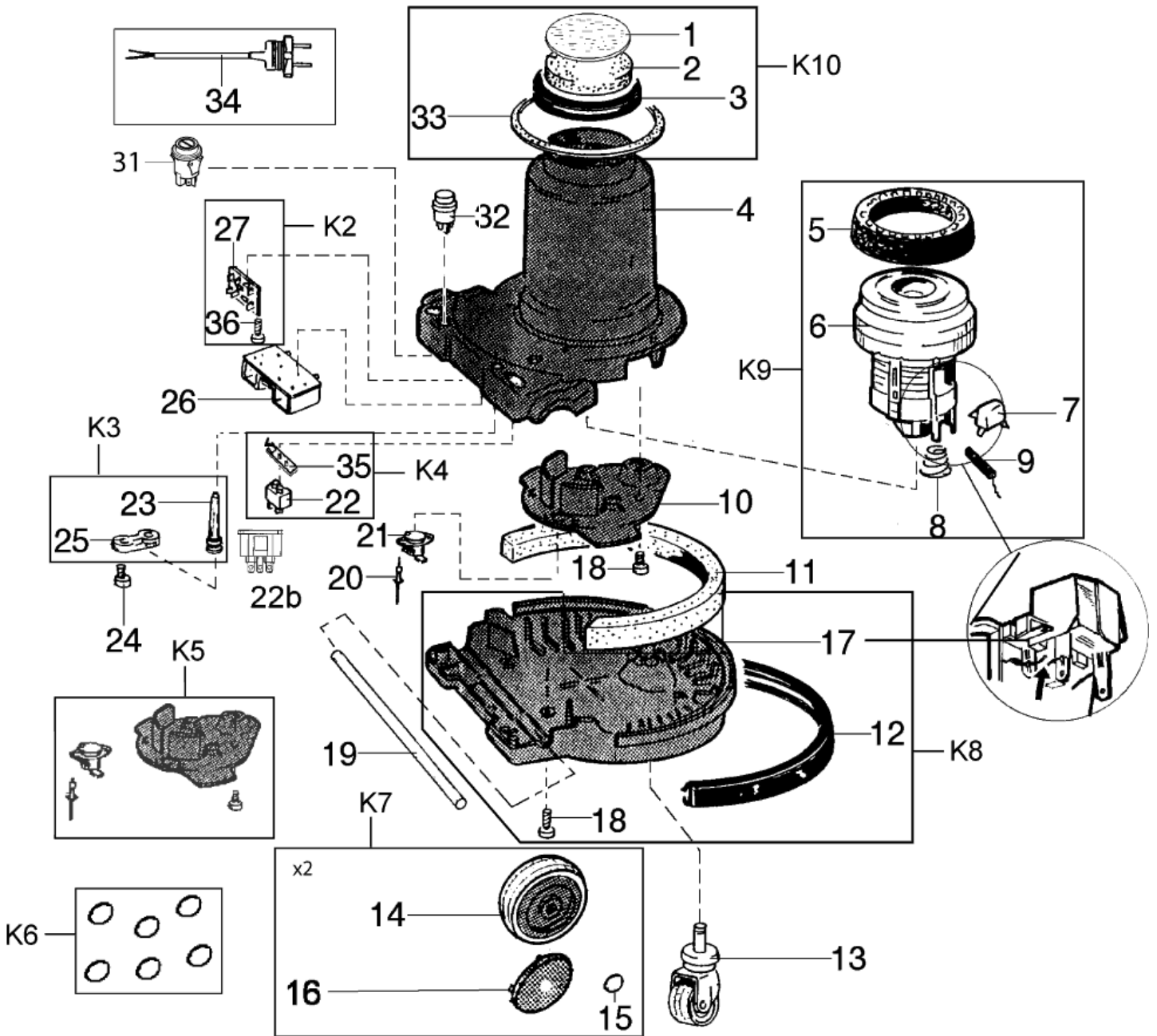
GD 930 GD 930S2, GD930Q

06-01-2014

Part List ID

GD93002

6



Lower parts before serial no. 3510124601423 (1

GD 930 GD 930S2, GD930Q

06-01-2014

Part List ID

GD930Q2

7

Pos	Part no.	Qty	Description	
0	140 7031 010	1	CARTON UZ 930S WHITE	NEUTRAL, FOR PANTHER
2	140 1535 510	1	FILTER UZ 930 110MM 3 PCS	
4	140 7010 080	1	STAND UL-LISTED	
4	140 7010 500	1	STAND GD 930/UZ 930S BLACK	
4	140 7010 510	1	STAND GD 930S2/UZ 930S2	
4	140 7010 530	1	STAND GD/UZ 930S BLACK	
4	140 7010 540	1	STAND GD/UZ 930S2 BLACK UL-LIS	
5	140 7901 000	1	Suspension Ring	
6		1	NOTE COMMENT	Part of K9
7	140 8166 010	1	CAPACITOR	
8	140 7016 000	1	SPRING	
9	001 8619 110	1	CARBON BRUSH	
9	140 7719 000	1	CARBON BRUSH	
9	140 7720 000	1	CARBON BRUSH F. 110-120V	
11	140 7022 500	1	MUFFLER STRIP	
13	140 7025 500	1	WHEEL FRONT 1 PC 930-SERIES	
18	140 9214 070	3	SCREW	
19	140 5059 000	1	SHAFT	
20	140 5694 000	1	POP NIT	
21	140 3894 500	1	THERMO PROTECTION KIT SCREW AND WIRE INCLUDED	
22	010 9678 500	1	OUTLET ELECTRICAL 230V 930-SERIES	
23	093 1027 010	1	CABLE PROTECTION USA	
24	140 9214 040	2	SCREW	
25	056 1014 060	1	TRIPPER	
26	140 7026 500	1	2S CIRCUIT BOARD 220-240V	
26	140 7026 500	1	2S CIRCUIT BOARD 220-240V	
26	140 7026 510	1	2S CIRCUIT BOARD 110-120V KIT	
31	140 7033 500	1	SWITCH ON/OFF 930-SERIES	
32	140 7023 500	1	SWITCH SPEED FOR 930S2 SPEED REGULATION	
34	107401390	1	CORD SET CN 15.5M - KIT	
34	107407565	1	CORD SET ORANGE 15.5M - KIT	campain modul
34	140 3859 020	1	CORD SET	120V US/CA
34	140 6423 500	1	CORD EU L=15M	
34	140 6423 510	1	CORD EU L 10M	
34	140 6423 520	1	CORD KIT CH L 15M	Machine outphased 2010
34	140 6423 530	1	CORD UK L=15M	
34	140 6423 540	1	CORD UK L=10M	
34	140 6423 550	1	CORD US PLUG L 15M	
34	140 6423 560	1	CORD US L 10M GROUNDED	
34	140 6423 570	1	CORD JP L 15M	
34	140 6423 580	1	CORD AU L 15.5M	
35	010 9678 500	1	OUTLET ELECTRICAL 230V 930-SERIES	
K2	140 7024 500	1	BOARD ANTI STATIC 930-SERIES	

Lower parts before serial no. 3510124601423 (1

GD 930 GD 930S2, GD930Q

06-01-2014

Part List ID

GD930Q2

8

Pos	Part no.	Qty	Description
K3	140 7035 500	1	PROTECTION SLEEVE KIT SLEEVE AND ANTI STRAIN CL
K3	140 7035 510	1	PROTECTION SLEEVE US KIT
K4	140 7665 500	1	OUTLET ELECT.15A 250V
K5	140 7012 500	1	MOTOR PLATE GD/UZ930/S2 INCL. THERMO PROTECTOR
K5	140 7012 510	1	MOTOR PLATE GD 930/S2
K6	140 5058 500	6	LOCK WASHER GD 930
K7	140 5055 500	2	WHEEL REAR 2PC 930-SERIES INCL. DISCS
K8	140 7011 500	1	BASE+BUMPER GD/UZ930S/S2 INCL. SILENCER
K8	140 7011 510	1	BASE BUMPER GD930/UZ930/S INCL.SILENCER UL-APPR.
K9	140 7902 500	1	FAN UNIT 230V UZ930s
K9	140 7902 510	1	FAN UNIT 110-120V 1000W US
K9	140 7902 520	1	FAN UNIT 240V UZ934 (UZ934)
K9	140 7902 530	1	FAN UNIT KIT DOMEL 100V JP
22b	140 7665 500	1	OUTLET ELECT.15A 250V US
K10	140 1535 500	1	MOTOR PROTECTION 930-SERIES FILTER+GASKET

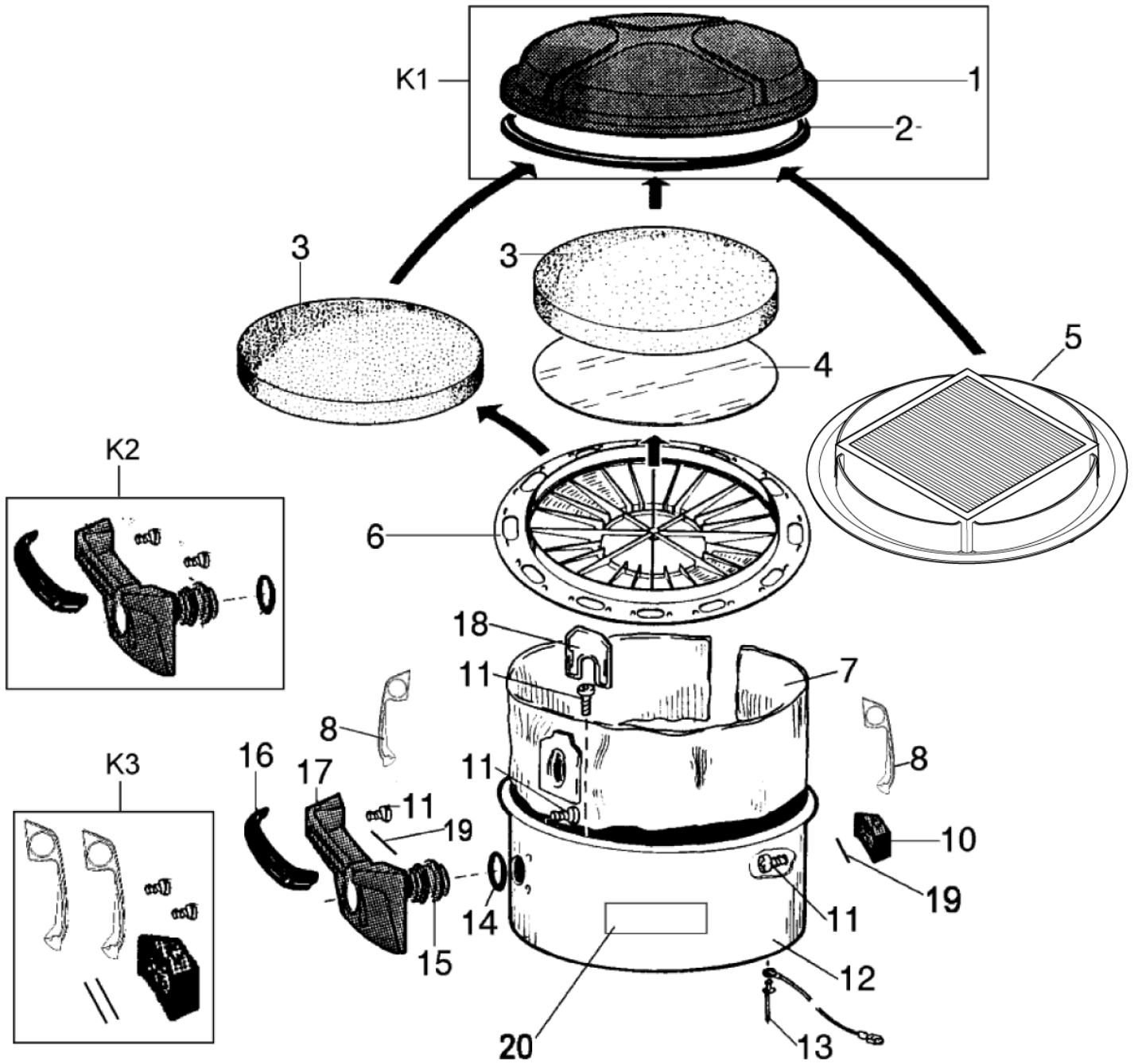
Container and Filters

GD 930 GD 930S2, GD930Q

06-01-2014

Part List ID
GD93004

9



Container and Filters

GD 930 GD 930S2, GD930Q

06-01-2014

Part List ID
GD930Q4

10

Pos	Part no.	Qty	Description	
1	107408923	1	LID GD930	LID BLACK
1	140 7802 080	1	LID RED	
2	140 0061 030	1	GASKET L=1130	
3	140 1515 500	1	FILTER MAIN FOAM 930-SERIES	
4	140 5661 000	1	HYGIENE DIFFUSER FILTER	
5	140 2666 010	1	HEPA-FILTER UZ 930/930S/9 30S2	
6	140 2911 000	1	FILTER HOUSE	
7	140 3260 500	1	FILTER PAPER 5-P 930-SERIES	
7	140 7015 040	1	DUST BAG 10-P GD930/930S/ 930S2	
7	140 7019 500	1	CLOTH DUST BAG 1-P 930-SERIES	
7	140 7313 020	1	HIGH FILTRATION BAG 10-P	
8		1	NOTE COMMENT	Part of K3 item 140 7832 500
11	140 9214 070	8	SCREW	
12	140 7020 510	1	CHROMED CONTAINER GD930	
13	140 5694 000	1	POP NIT	
14	740 4416 000	1	O-RING 49,5X3 N REPLACED 140 7800 500	
15	140 7013 000	1	INLET	
16		1	NOTE COMMENT	Part of K2
17		1	NOTE COMMENT	Part of K2
18	140 7014 500	1	LOCKING DUSTBAG 3 PCS GD/UZ 930/S2	
19		1	NOTE COMMENT	Part of K3
20	140 7877 000	1	DECAL/STICKER NILFISK GD	
23	140 9214 040	2	SCREW	Incl. in K2
K1	140 7801 500	1	LID W/FILTER 930-SERIES THE FILTER IS MOUNTED IN	
K1	140 7801 510	1	LID WITH HEPA FILTER 930-SERIES	
K2	140 7800 500	1	HANDLE GD 930/S2	
K3	140 7832 500	1	LATCHES GD 930/S2 2 LOCKINGS	
NI	140 6076 000	1	SIGN	Emptying - if this vacuum cleaner is...
NI	140 6754 000	1	LABEL	Warning HEPA filter must be installed...
NI	140 7784 000	1	PACKAGE CPL.	

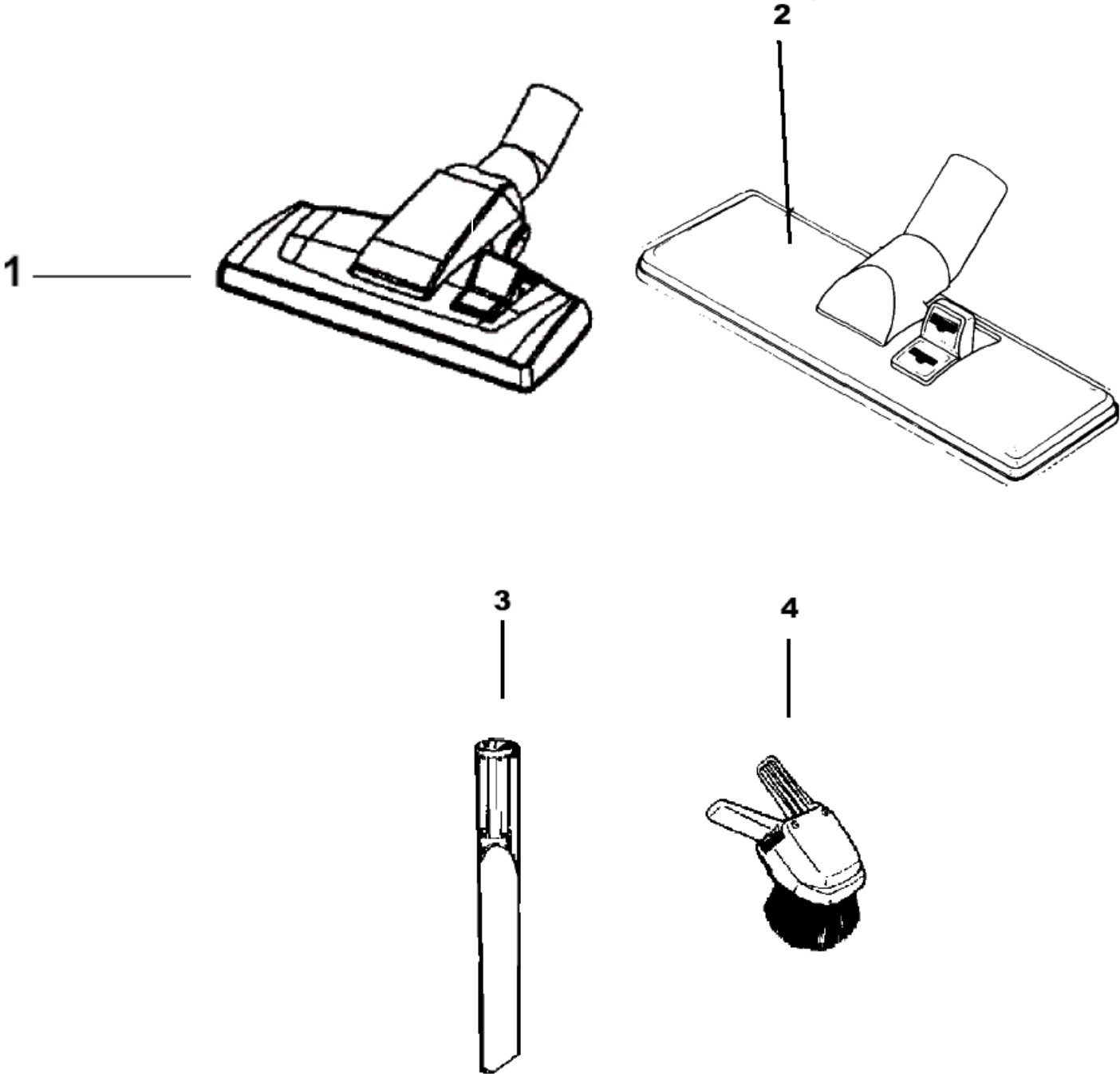
Nozzles 32 mm

GD 930 GD 930S2, GD930Q

06-01-2014

Part List ID
B0339M

11



Nozzles 32 mm

GD 930 GD 930S2, GD930Q

06-01-2014

Part List ID
B0339M

12

Pos	Part no.	Qty	Description
1	140 8492 520	1	COMBI NOZZLE
2	140 5634 500	1	COMBI NOZZLE 32 MM
3	010 3098 500	1	CREVICE NOZZLE
4	011 3104 500	1	SMALL COMBI NOZZLE ROUND BRUSH/UPHOLSTERY

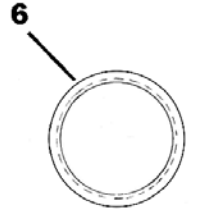
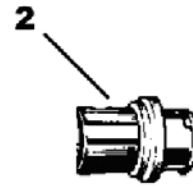
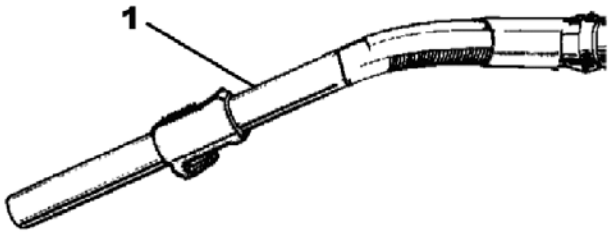
Hose and tubes

GD 930 GD 930S2, GD930Q

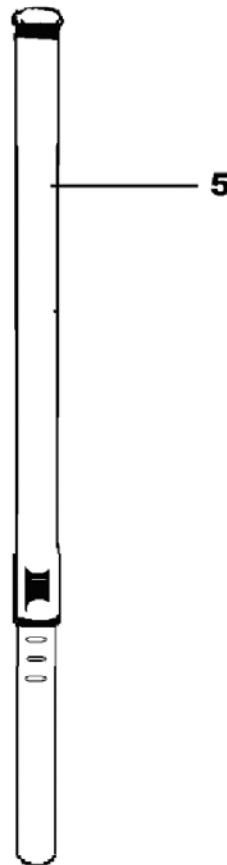
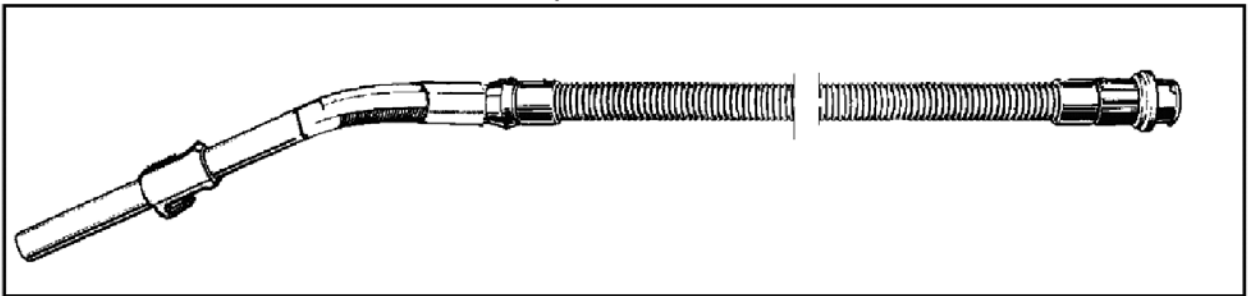
06-01-2014

Part List ID
B03311

13



3



Hose and tubes

GD 930 GD 930S2, GD930Q

06-01-2014

Part List ID
BU3311

14

Pos	Part no.	Qty	Description
1	140 5116 500	1	HOSE HANDLE ALU/RUBBER DI PACKED IN A BAG
2	140 3846 500	1	CUFF W.BAYONET COUPL.D32
3	140 2782 500	1	HOSE ALU.HANDLE D32 BAYONET COUPLING
4	011 6431 500	1	TUBE 32MM X 500MM LONG
5	011 8130 500	1	TELESCOPIC TUBE 32MM
6	010 9299 540	1	GASKET

Power brush UZ 984 line drawing

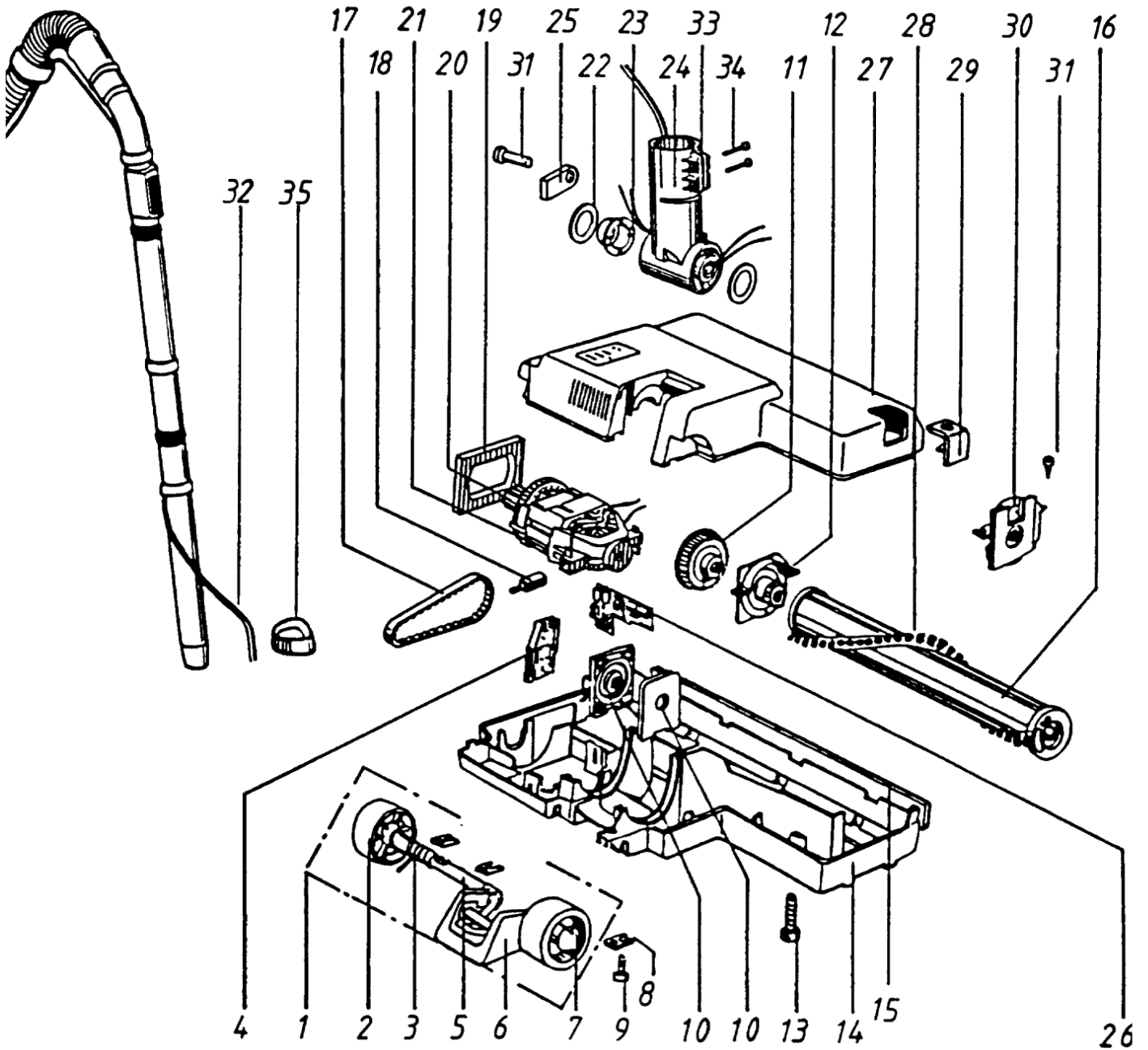
GD 930 GD 930S2, GD930Q

06-01-2014

Part List ID

B03133

15



Power brush UZ 984 line drawing

GD 930 GD 930S2, GD930Q

06-01-2014

Part List ID BU3133

16

Pos	Part no.	Qty	Description	
0	909 1220 010	1	UZ 984 POWER NOZZLE 220V	
0	909 1221 010	1	UZ 984 POWER NOZZLE 240V	
1	093 1751 000	1	SHAFT	
2	093 1750 000	2	WHEEL	Machine outphased 1998
3	093 1752 000	1	TENSION SPRING	Machine outphased 1998
4	142 0882 000	1	BEARING PLATE	
5	093 1754 000	1	SHAFT	
6	093 1755 000	1	PEDAL	
7	093 1757 000	2	LOCK WASHER	Machine outphased 1998
8	093 1759 000	3	WASHER	Machine outphased 1998
9	093 1760 000	5	SCREW RXS 3.9 13 Z.PL..	Machine outphased 1998
10	142 0883 000	2	BEARING CPL.	
11	142 0559 000	1	BRUSH ROLLER, PULLEY	
12	093 1763 000	1	BEARING	Machine outphased 1998
13	093 1764 000	4	SCREW MRX M5X25	
14	093 1765 000	1	CAP	
15	142 0885 000	1	BUMPER	
16	093 1769 000	1	BRUSH UNIT	Unit incl strip
17	093 1781 000	1	BELT 2025	Machine outphased 1998
18	093 1783 000	2	CARBON BRUSH	
19	093 1782 000	1	INJECTOR	Machine outphased 1998
20	093 1780 000	1	GEAR	Machine outphased 1998
21	093 1779 000	1	MOTOR	Machine outphased 1998
21	093 1805 000	1	MOTOR 240V	
21	093 1806 000	1	BRUSH MOTOR 115V	
22	142 0886 000	2	WASHER	
23	142 0887 000	2	CONDUCTOR BEARING	
24	142 0888 000	1	CONNECTION TUBE	
25	142 0889 000	1	ANTI STRAIN CLIP	
26	142 0890 000	1	EL. CONTROL BOARD 220V	
26	142 0891 000	1	EL. CONTROL BOARD 240V	
26	142 0892 000	1	EL.CONTROL BOARD 110V	
27	142 0893 000	1	TOP	
28	093 1770 000	1	BRUSH 2045	Only the strip is supplied
29	093 1768 000	1	SUPPORT	
30	093 1767 000	1	BEARING FOR BRUSH	Machine outphased 1998
31	093 1756 000	7	SCREW RXS 3.9 16 Z.PL.	Machine outphased 1998
32	142 0894 000	1	CORD SET	
33	093 1786 000	2	SQUARE NUT M4	
34	18274	2	COUNTERSUNK SCREW	
35	011 3634 000	1	HOSE CLIP	

RECOMMENDED SPARE PARTS

GD 930 GD 930S2, GD930Q

06-01-2014

Part List ID

B03135

17

No Drawing For Part List

RECOMMENDED SPARE PARTS

GD 930 GD 930S2, GD930Q

06-01-2014

Part List ID
BU3135

18

Pos	Part no.	Qty	Description
1	010 9299 540	1	GASKET
1	010 9678 500	1	OUTLET ELECTRICAL 230V 930-SERIES
1	107401390	1	CORD SET CN 15.5M - KIT CN ONLY
1	140 1515 500	1	FILTER MAIN FOAM 930-SERIES
1	140 1535 500	1	MOTOR PROTECTION 930-SERIES FILTER+GASKET
1	140 2782 500	1	HOSE ALU.HANDLE D32 BAYONET COUPLING
1	140 5055 500	1	WHEEL REAR 2PC 930-SERIES INCL. DISCS
1	140 6423 500	1	CORD EU L=15M
1	140 6423 510	1	CORD EU L 10M
1	140 6423 520	1	CORD KIT CH L 15M Machine outphased 2010
1	140 6423 530	1	CORD UK L=15M
1	140 6423 540	1	CORD UK L=10M
1	140 6423 550	1	CORD US PLUG L 15M
1	140 6423 560	1	CORD US L 10M GROUNDED
1	140 6423 570	1	CORD JP L 15M
1	140 6423 580	1	CORD AU L 15.5M
1	140 7012 500	1	MOTOR PLATE GD/UZ930/S2 INCL. THERMO PROTECTOR
1	140 7012 510	1	MOTOR PLATE GD 930/S2
1	140 7014 500	1	LOCKING DUSTBAG 3 PCS GD/UZ 930/S2
1	140 7019 500	1	CLOTH DUST BAG 1-P 930-SERIES
1	140 7023 500	1	SWITCH SPEED FOR 930S2 SPEED REGULATION
1	140 7024 500	1	BOARD ANTI STATIC 930-SERIES
1	140 7025 500	1	WHEEL FRONT 1 PC 930-SERIES
1	140 7026 500	1	2S CIRCUIT BOARD 220-240V
1	140 7026 510	1	2S CIRCUIT BOARD 110-120V KIT
1	140 7033 500	1	SWITCH ON/OFF 930-SERIES
1	140 7665 500	1	OUTLET ELECT.15A 250V
1	140 7800 500	1	HANDLE GD 930/S2
1	140 7801 500	1	LID W/FILTER 930-SERIES THE FILTER IS MOUNTED IN
1	140 7801 510	1	LID WITH HEPA FILTER 930-SERIES
1	140 7832 500	1	LATCHES GD 930/S2 2 LOCKINGS
1	140 7902 500	1	FAN UNIT 230V UZ930s
1	140 7902 510	1	FAN UNIT 110-120V 1000W
1	140 7902 520	1	FAN UNIT 240V UZ934
1	140 7902 530	1	FAN UNIT KIT DOMEL 100V

Wiring

GD 930 GD 930S2, GD930Q

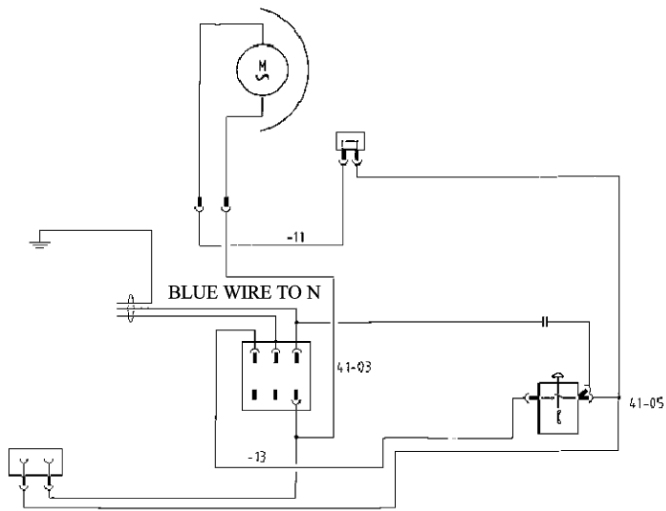
06-01-2014

Part List ID
GD93006

19

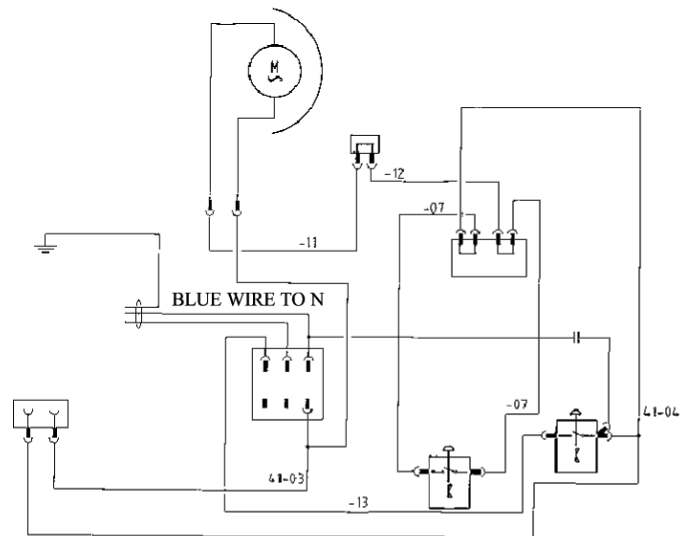
GD 930 GROUNDED VERSION

FOR THE NEW DOMEL
FAN UNITS



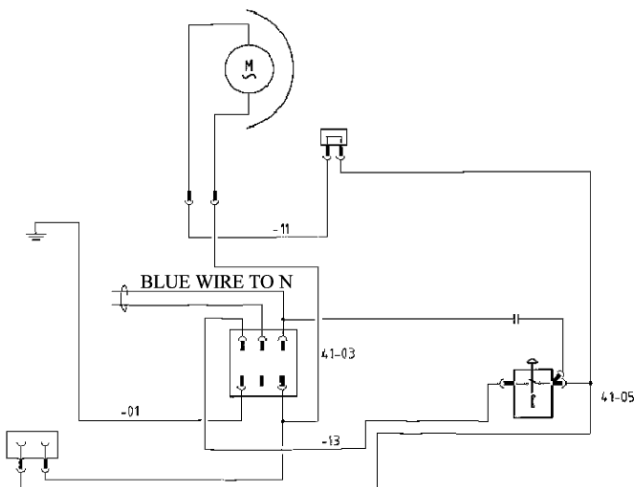
GD 930S2 GROUNDED

FOR THE NEW DOMEL
FAN UNITS



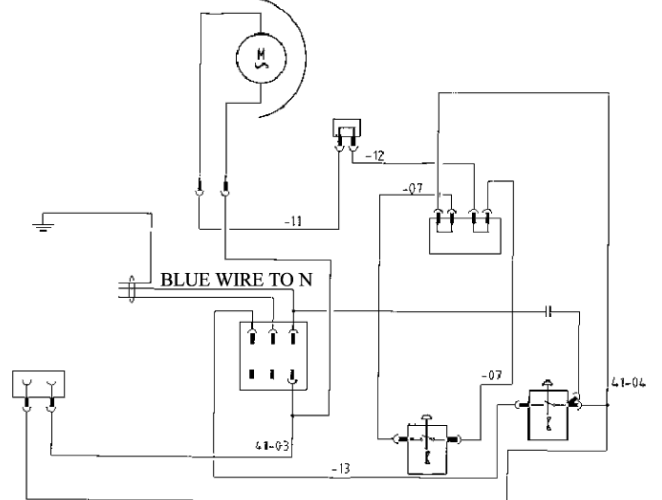
GD 930 DOUBLE INSULATED

FOR THE NEW DOMEL
FAN UNITS



GD 930S2 DOUBLE INSULATED

FOR THE NEW DOMEL
FAN UNITS



Wiring

GD 930 GD 930S2, GD930Q

06-01-2014

Part List ID
GD93006

20