

# PARTS LIST

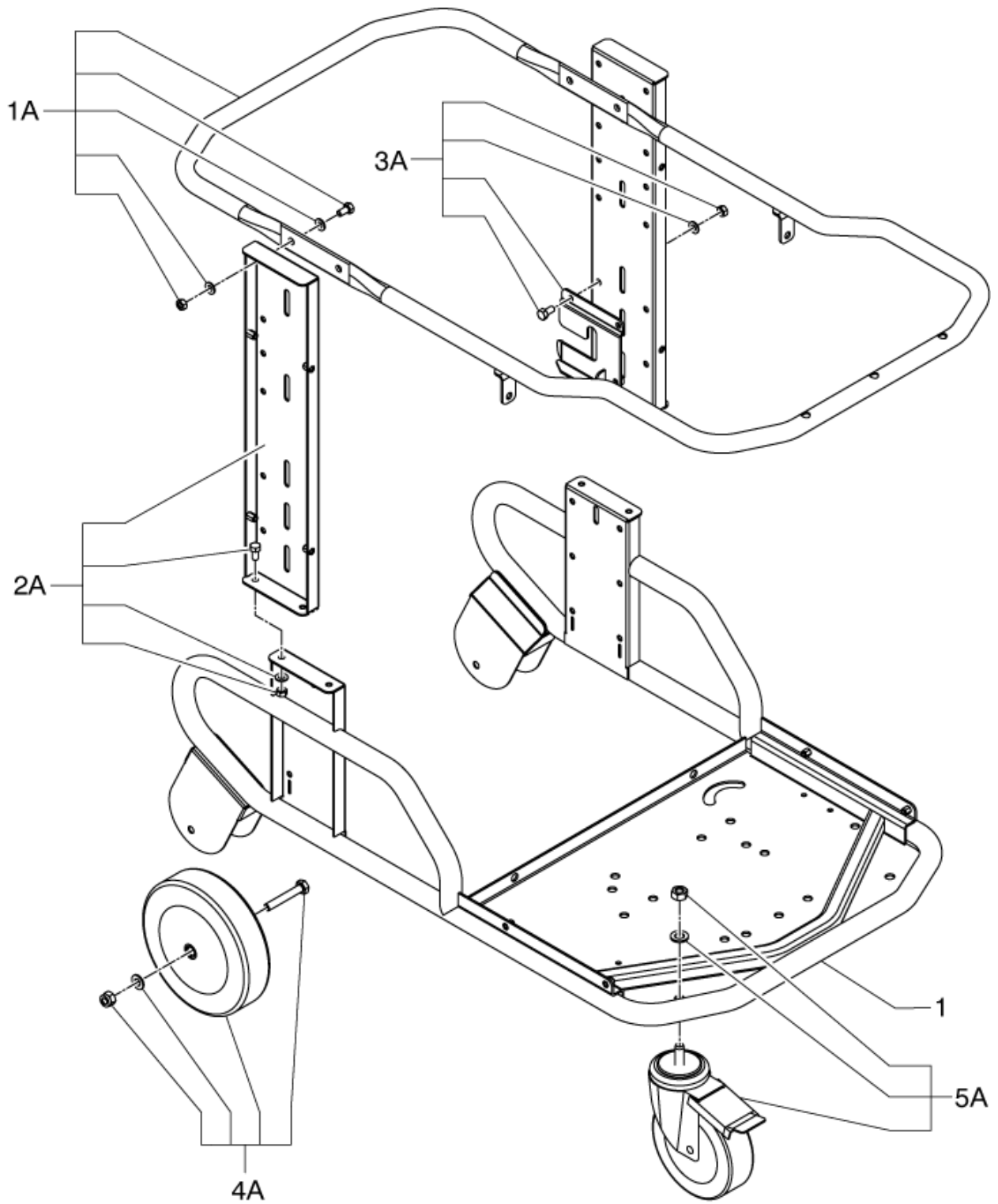


2018.02.07

# TABLE OF CONTENTS

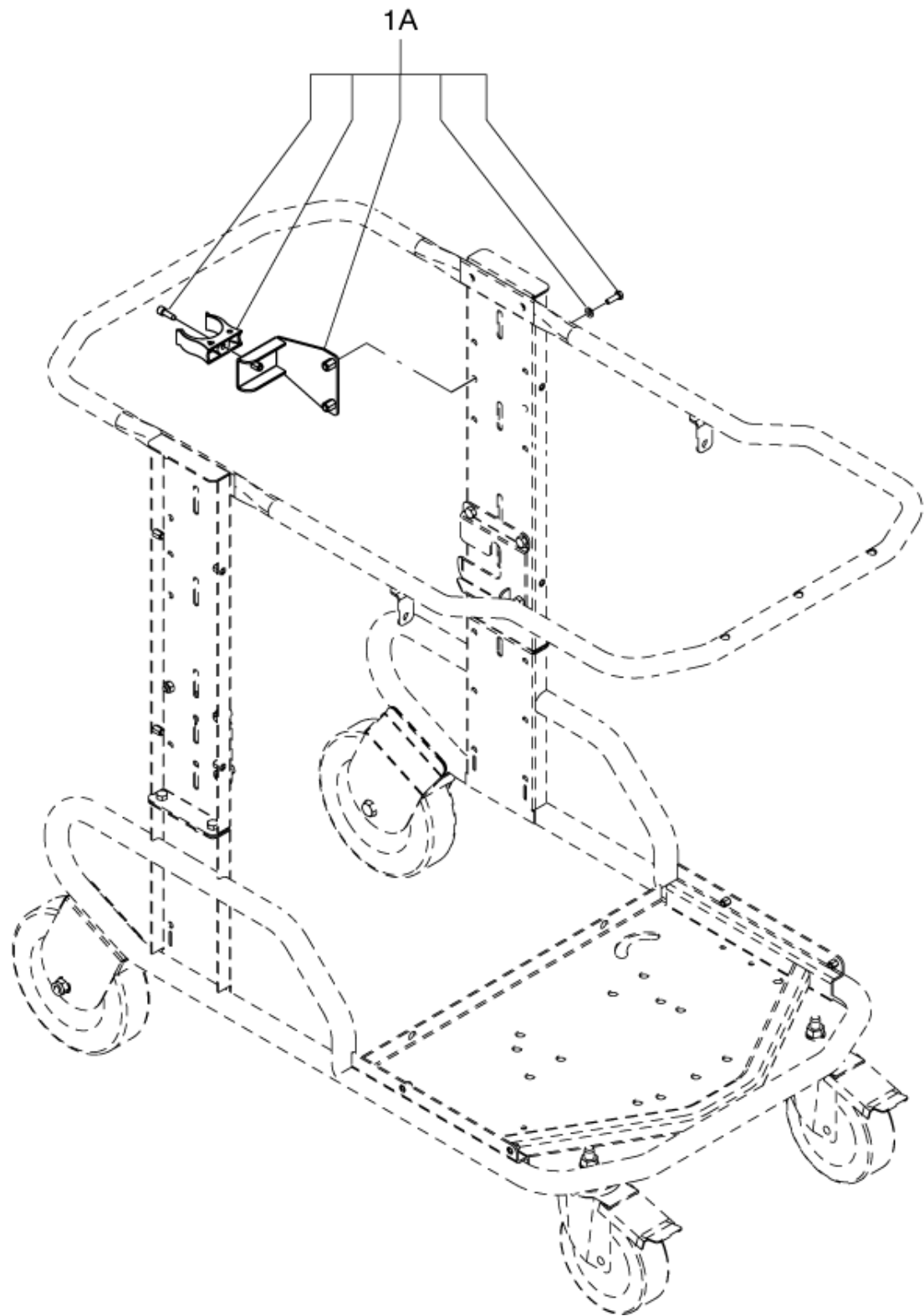
---

Car 01 .....	1
Car 02 .....	3
Car 03 .....	5
Car 04 .....	7
Container unit .....	9
Vacuum .....	11
Infiniclean unit 01 .....	13
Infiniclean unit 02 .....	15
Infiniclean unit 03 .....	17
Upper group infiniclean .....	19
Suction unit .....	21
Electric system (T40W IC) .....	23
Electric system (T48..IC) .....	25



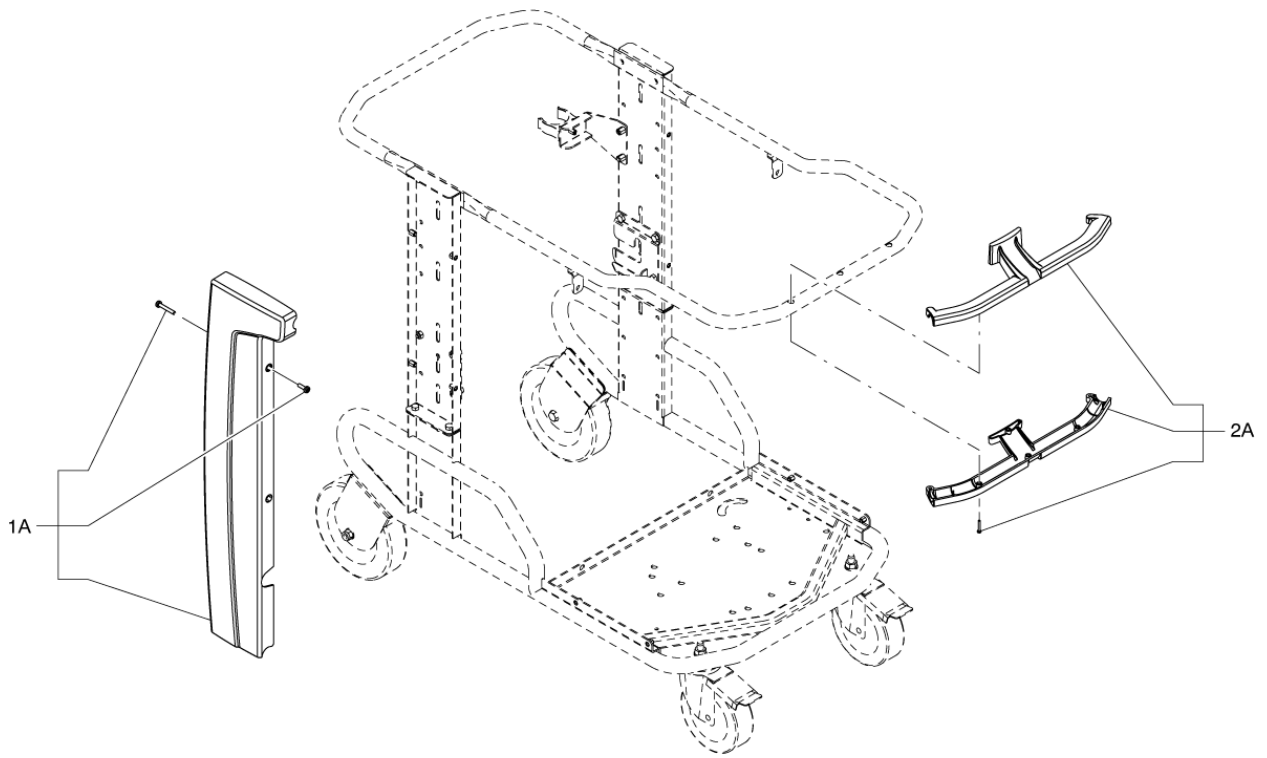
---

No.	Part No.	Qty.	Description	Part Note
01	4083600656	1	TROLLEY FOR MODEL T22-T40-T40W	
01A	40000962	1	HANDLE KIT	
02A	40000871	2	UPRIGHT KIT	
03A	40000872	1	BIN RELEASE KIT	
04A	40000873	1	WHEEL D200 KIT	
05A	40000874	2	KIT 2 REVOLV. CASTORS	



---

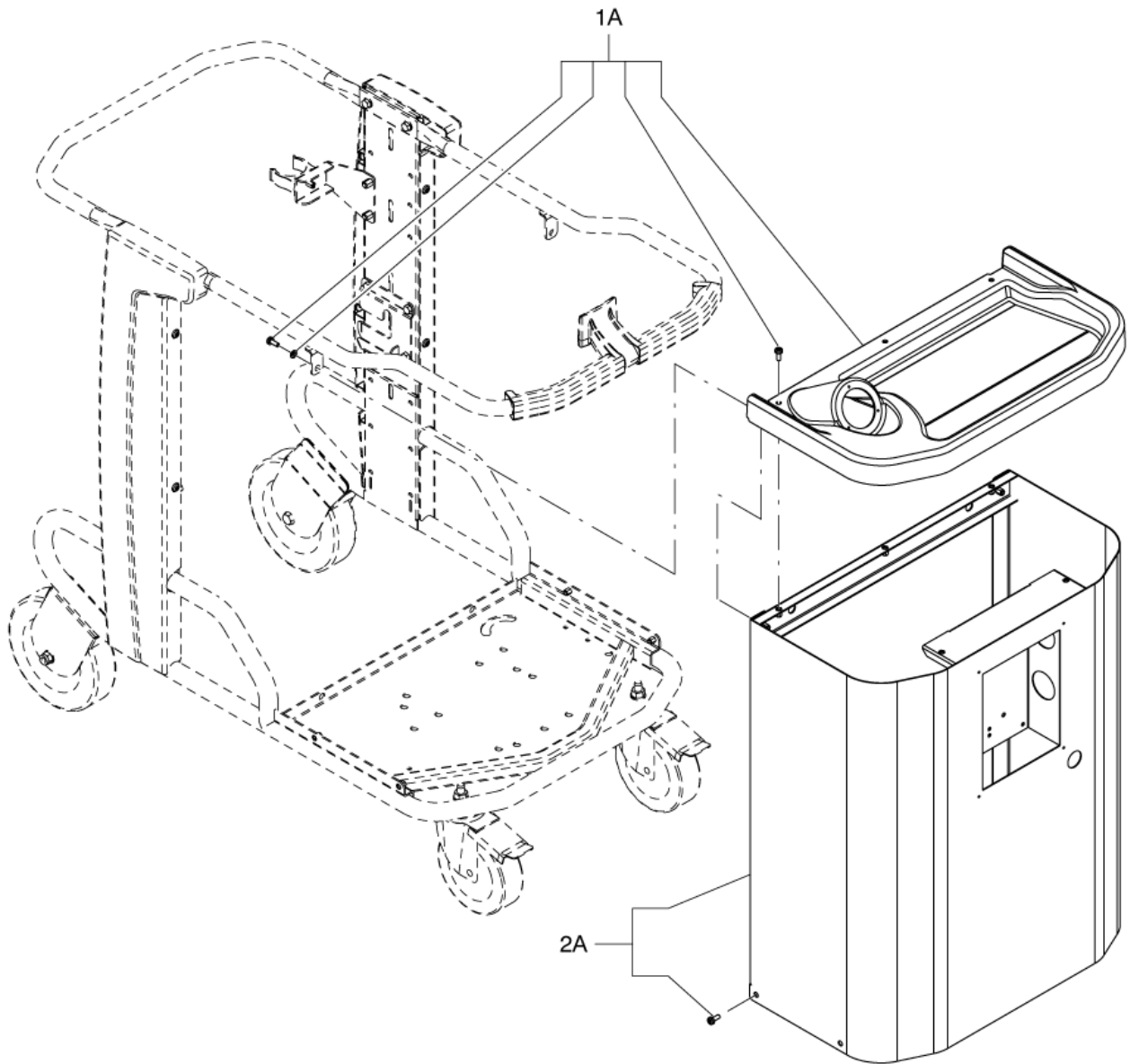
No.	Part No.	Qty.	Description	Part Note
01A	40000856	1	HOSE HOLDER KIT	



---

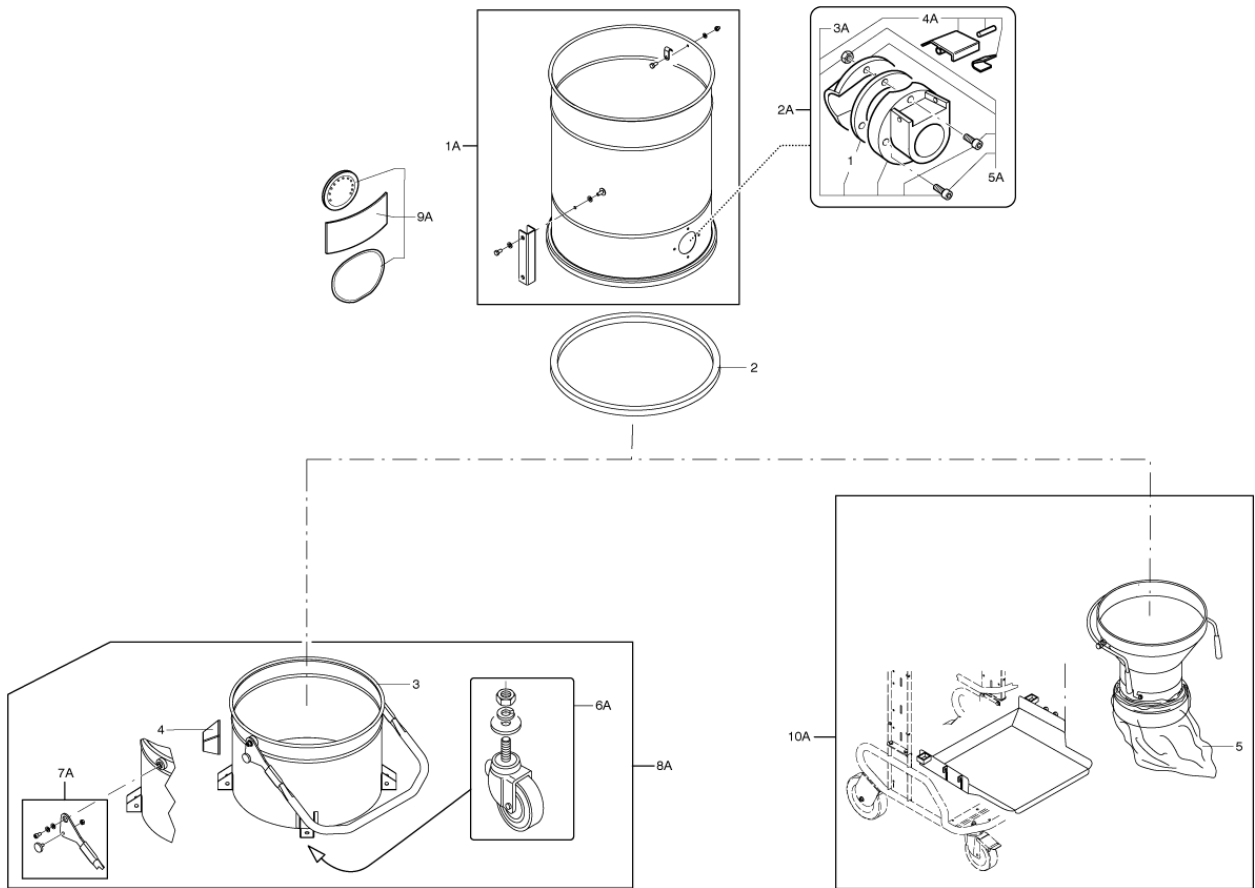
No.	Part No.	Qty.	Description	Part Note
01A	40000864	1	UPRIGHT PROTECTION KIT	
02A	40000855	1	HANDLE KIT	



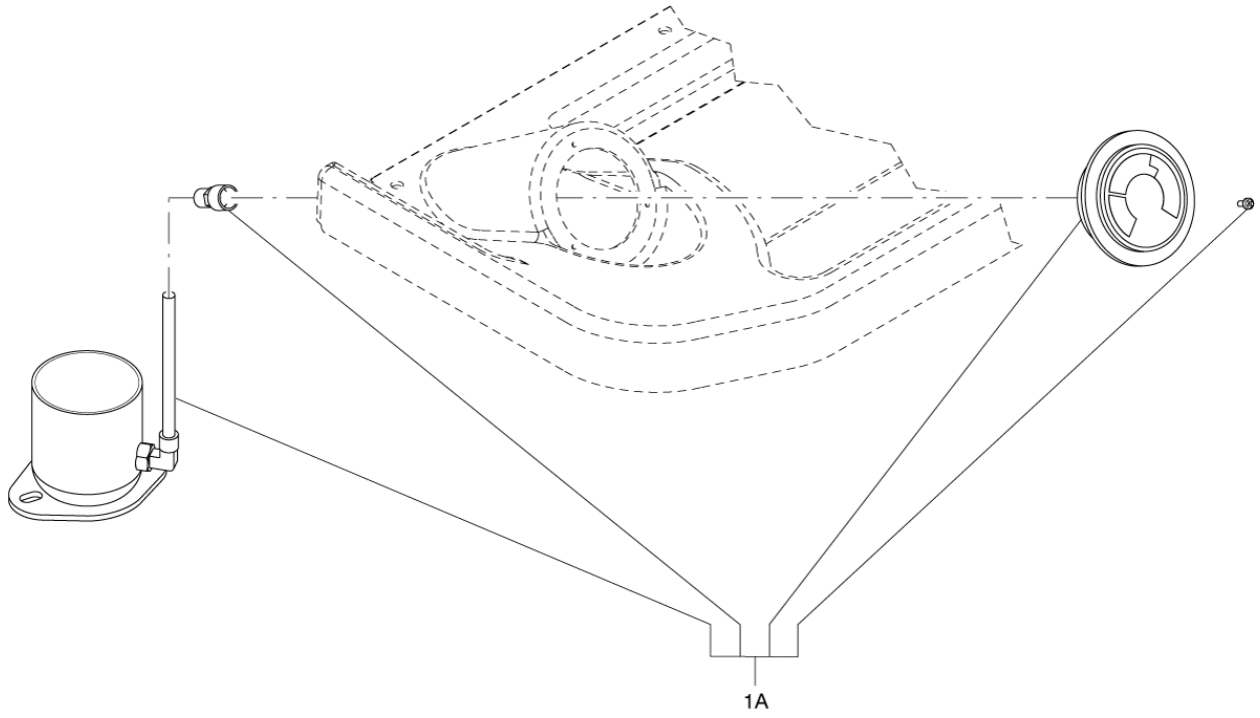


---

No.	Part No.	Qty.	Description	Part Note
01A	40000963	1	COMPARTMENT KIT	
02A	4089100285	1	CARTER KIT	

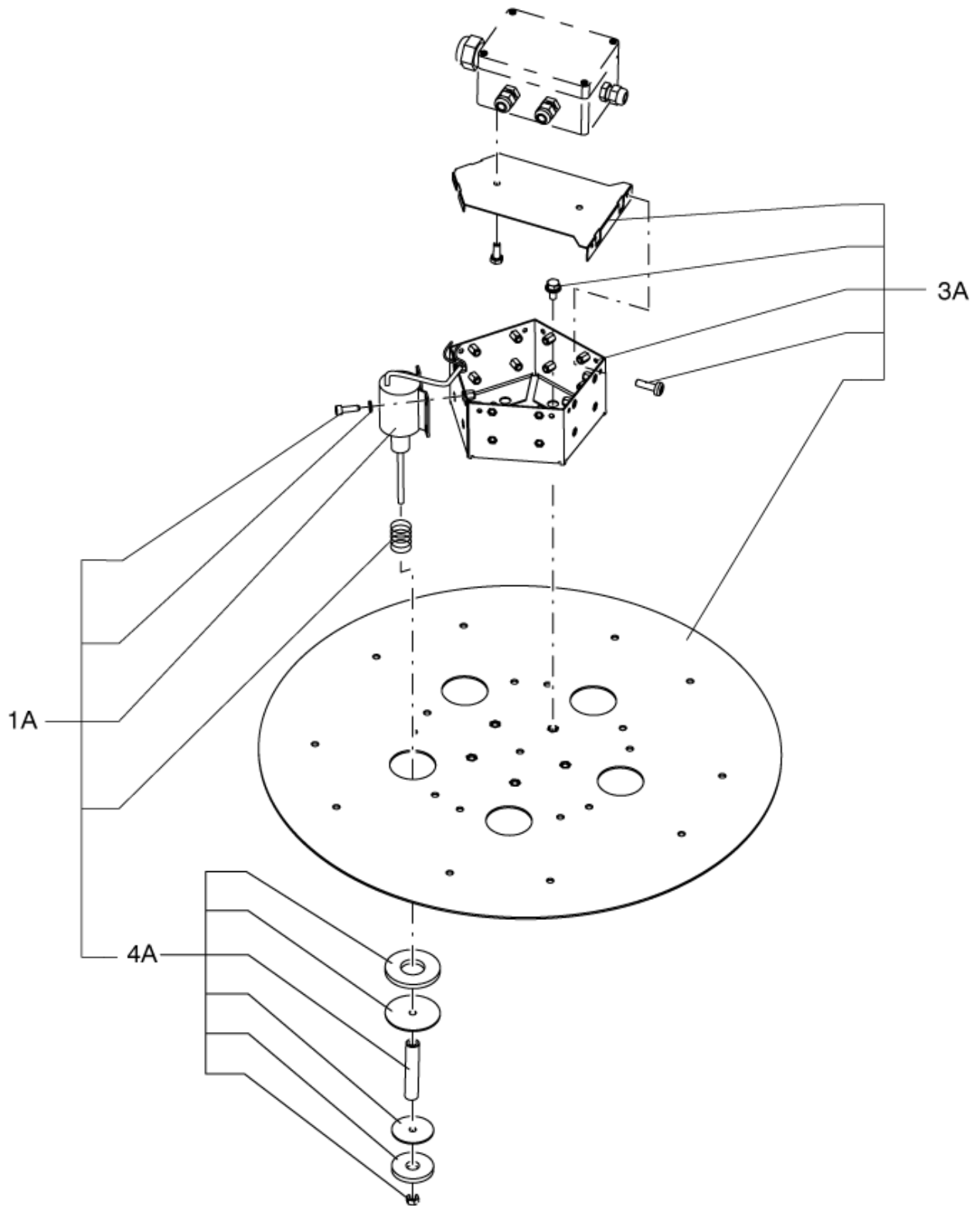


No.	Part No.	Qty.	Description	Part Note
01	Z8 17006	1	SEAL	
01A	40000869	1	FILTER CHAMBER KIT	
02	40000762	1	SEAL	
02A	40000868	1	D70 INLET FULL KIT	
03	4083000495	1	BIN D460 L100 FOR MODEL	
03A	40000867	1	D70 INLET KIT	
04	Z8 17021	4	BUMPER WHEEL HOLDER	
04A	40000345	1	KIT PUSHBUTTON FOR	
05	4084001017	1	PACKAGE OF 5 BAGS D460	
05	4084000956	1	MINI PACKAGE 4x20 MT 55	
05A	40000395	1	KIT DEFLECTOR D70	
06A	40000419	1	KIT CASTORS FOR CONTAINER	
07A	40000879	1	HANDLE KIT L100	
08A	4083000497	1	COMP.BIN D460 L100 M.S3	
09A	4089100286	1	LABELS KIT	
10A	4056000468	1	DISCHARGE KIT MS2-S3-T30S	



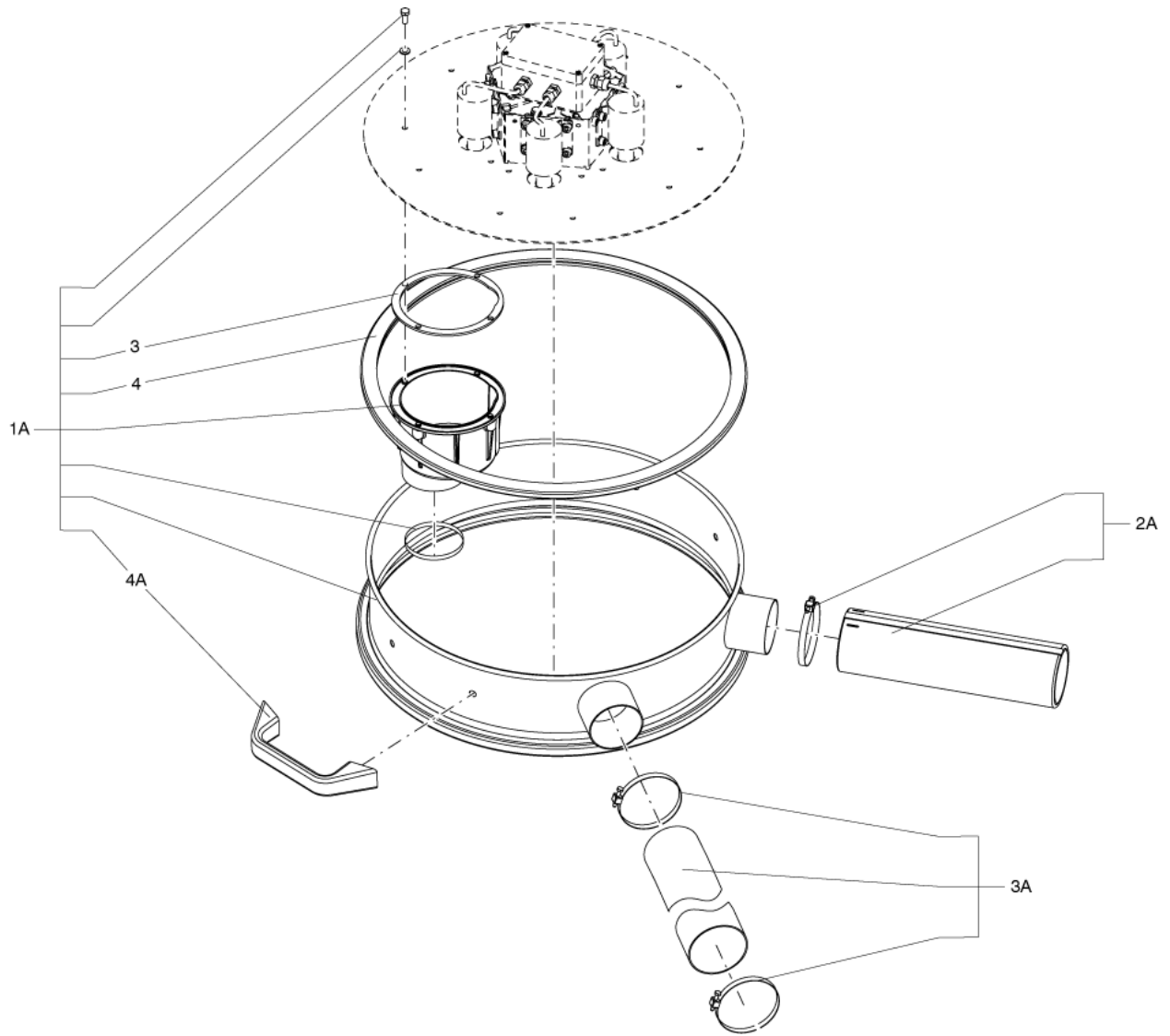
---

No.	Part No.	Qty.	Description	Part Note
01A	40000969	1	3000 VACUUM GAUGE KIT	
01A	40000309	1	KIT VACUUM GAUGE 3500	

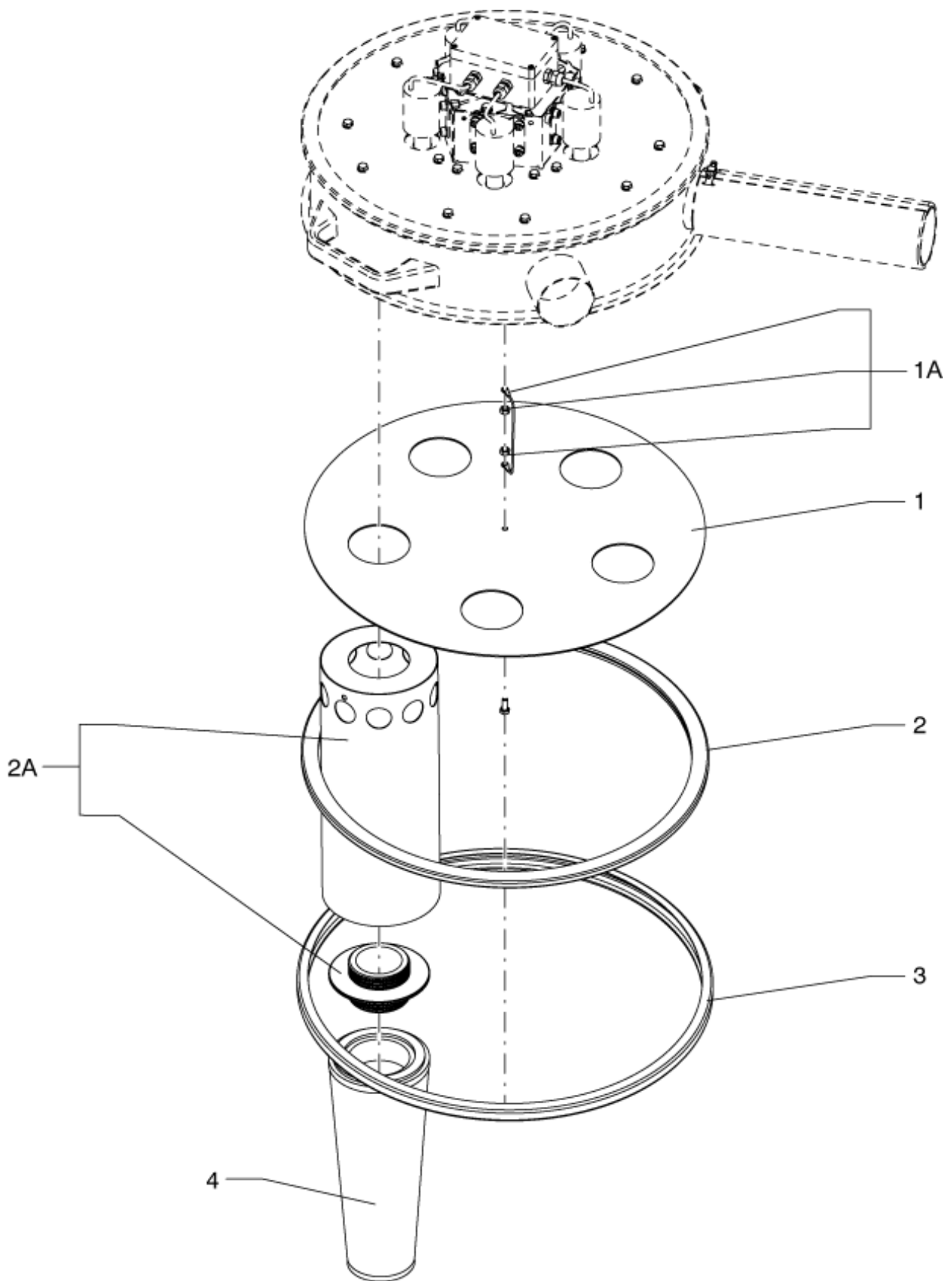


No.	Part No.	Qty.	Description	Part Note
01A	4089100294	5	SOLENOID KIT	
03A	4089100296	1	SOLENOIDS SUPPORT KIT	
04A	4089100295	5	SOLENOID OPEN/CLOSED KIT	

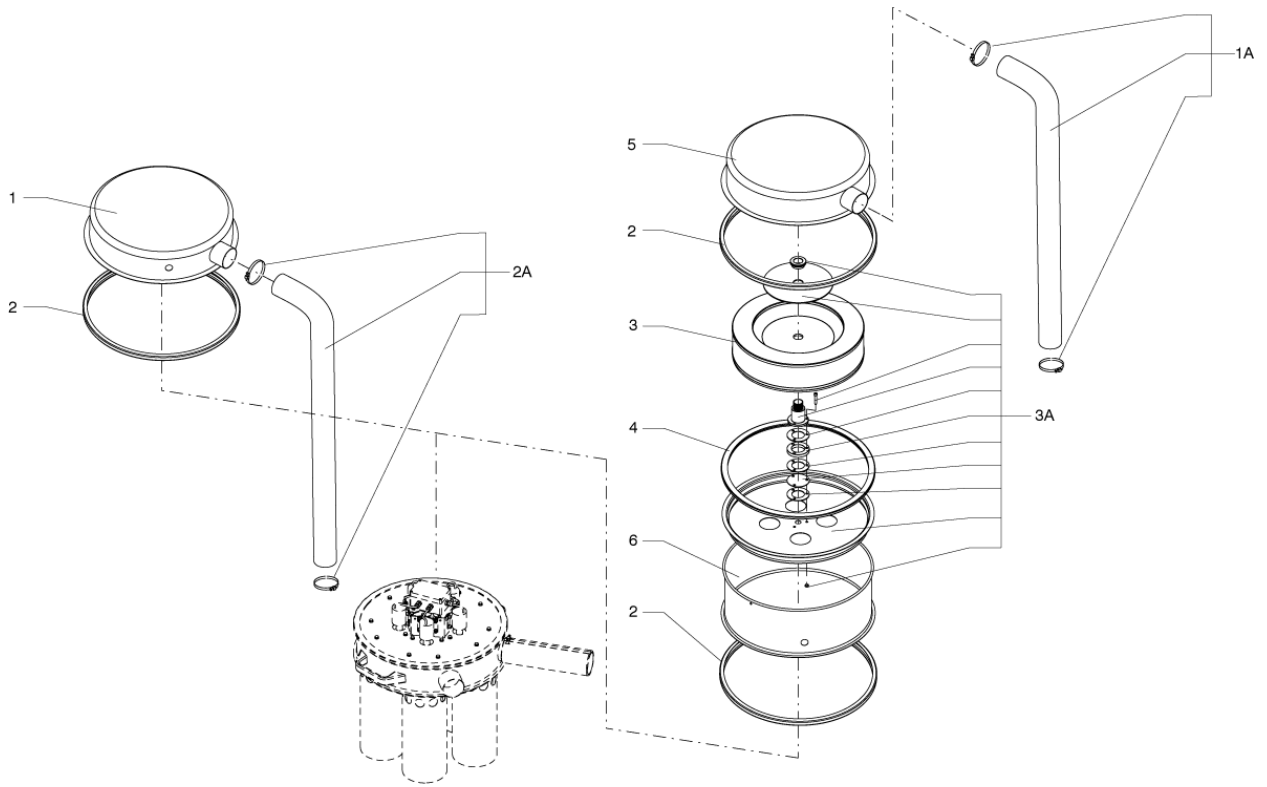




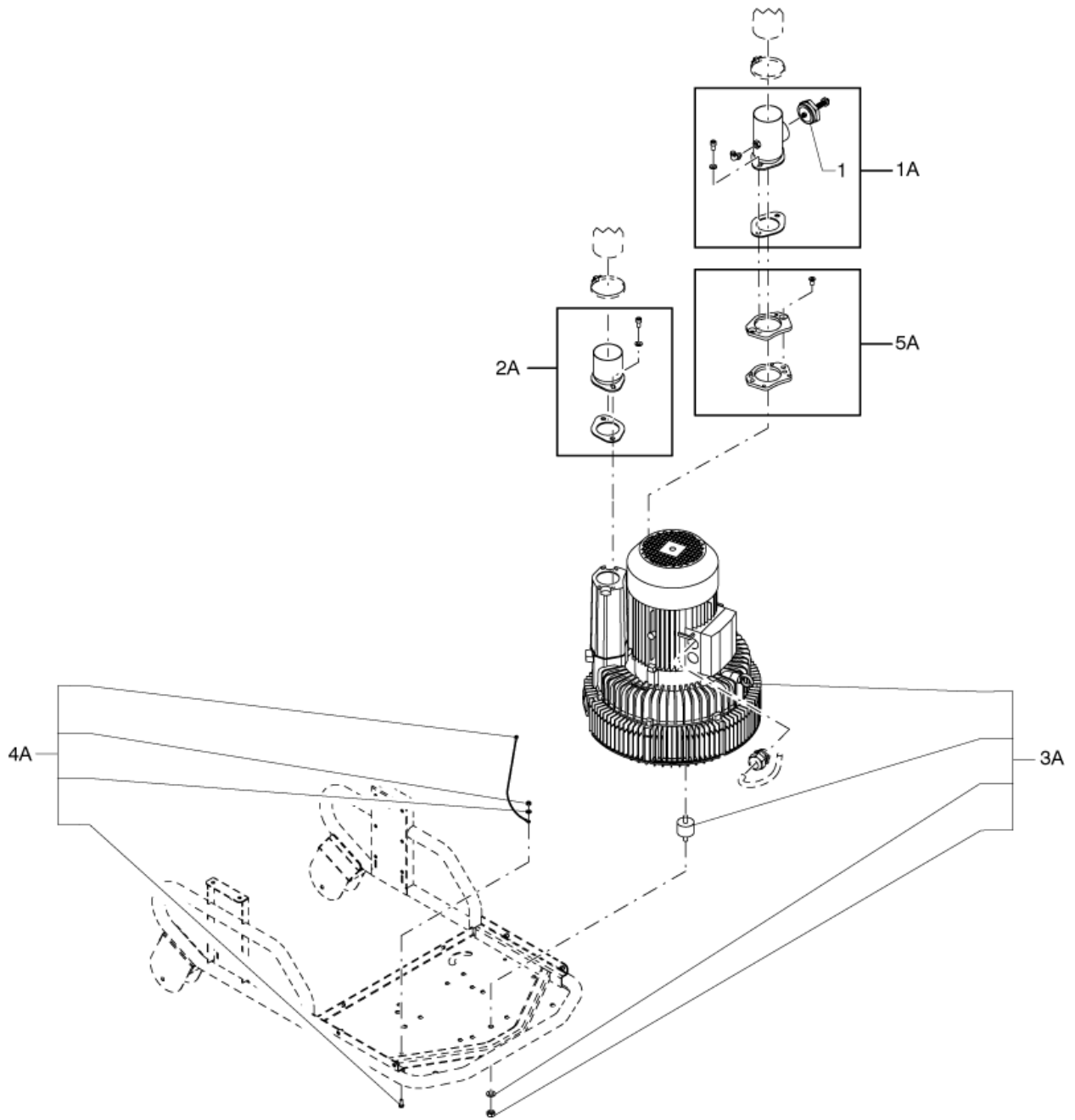
No.	Part No.	Qty.	Description	Part Note
01A	4089100297	1	EXHAUST CHAMBER KIT	
02A	4089100298	1	2XHAUST DIFFUSER KIT	
03	4081701019	1	GASKET FOR SUCTION CONVEYOR	
03A	40000571	1	KIT BLOWING TUBE	
04	Z8 17026	1	460MM FILTER GASKET	
04A	40000423	1	KIT HANDLE SS	



No.	Part No.	Qty.	Description	Part Note
01	4081500217	1	PLATE SUPPORT FOR 5 CARTRIDGE D.460	
01A	40000877	1	GROUND CABLE KIT	
02	Z8 17026	1	460MM FILTER GASKET	
02A	4089100299	1	CARTRIDGE SUPPORT KIT	
03	Z8 36191	1	BAND LOCK D.460	
04	4081701020	5	CARTRIDGE D120X300	



No.	Part No.	Qty.	Description	Part Note
01	4081200515	1	COVER D460 KIT EXT. R7001 RIC.4081200514	
01A	4089100300	1	BLOWING TUBE KIT	
02	Z8 36191	1/2	BAND LOCK D.460	
02A	40000605	1	KIT BLOWING TUBE	
03	4081700935	1	ABSOLUTE FILTER 415X100	
03A	4089100044	1	ABSOLUTE FILTER SUPPORT KIT	
04	Z8 17026	1	460MM FILTER GASKET	
05	4083101090	1	CAP. D460 MOD.T40WP	
06	4081100169	1	FILTER CHAMBER D460X180 ABSOL.FILT IC FE	

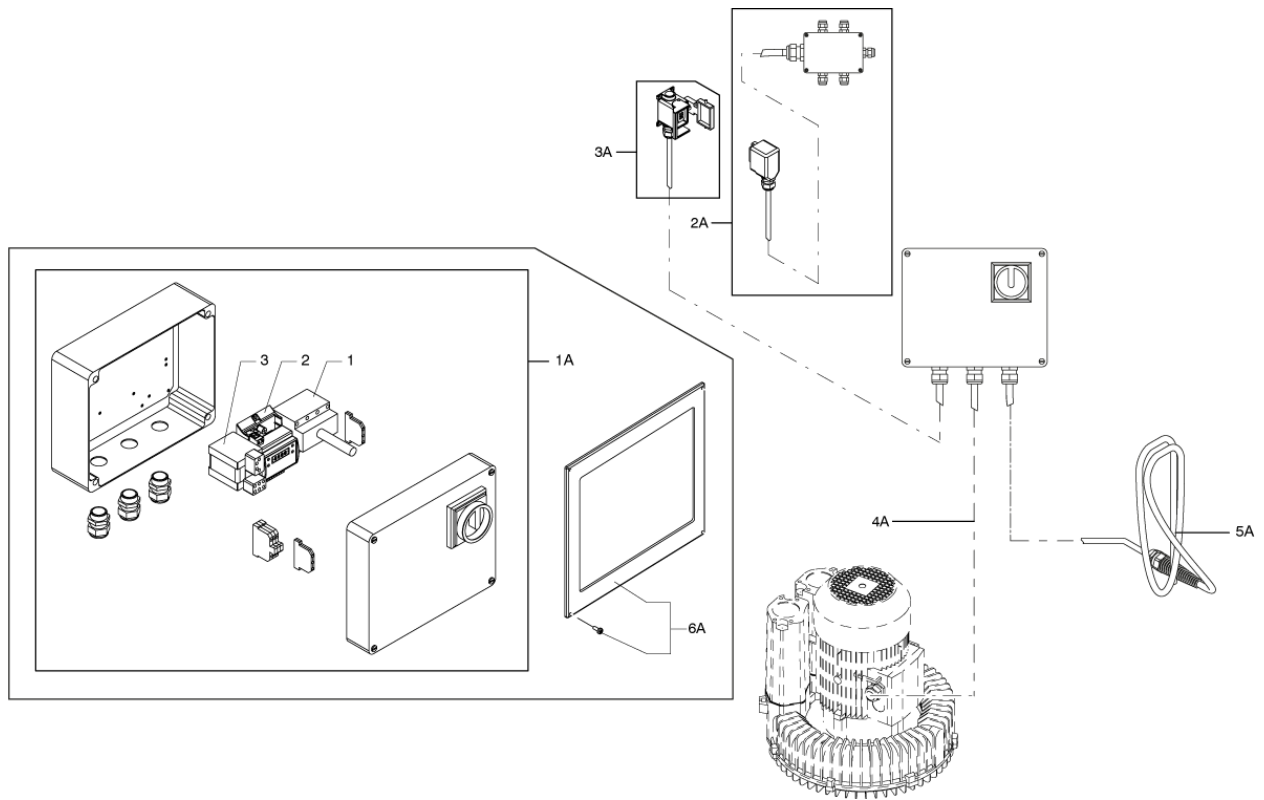


No.	Part No.	Qty.	Description	Part Note
01	32400363	1	VALVE.SAFETY COMPLETE IV022	
01A	4089100307	1	D70 BLOWING CONNECTION KIT	
02A	40000850	1	KIT BLOWING CONNECTION D70	
03A	40000842	1	SUCTION UNIT KIT	[1]
03A	4089100308	1	SUCTION UNIT KIT	[2]
03A	40000841	1	SUCTION UNIT KIT	[3]
04A	40000877	1	GROUND CABLE KIT	
05A	40000820	1	SUCTION ADAPTER KIT	

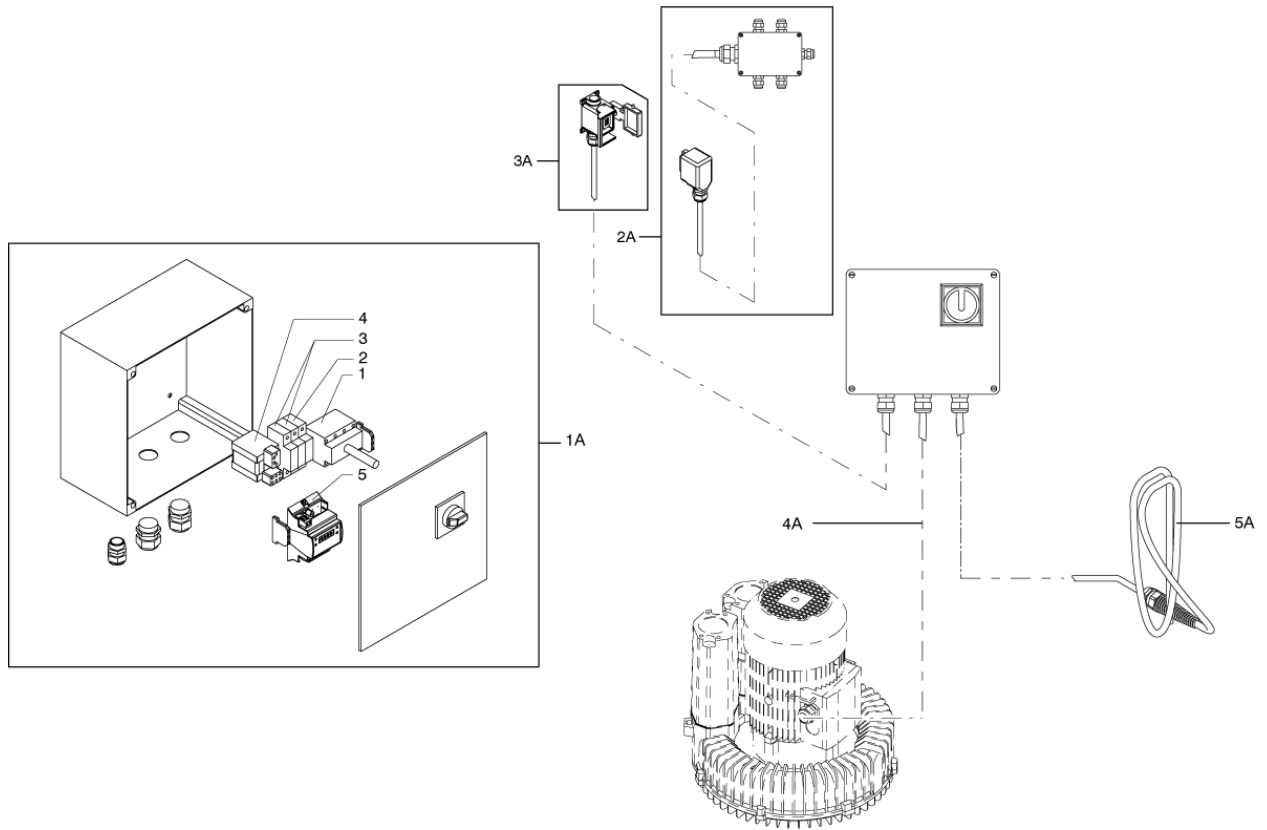
Part Notes:

- [1] - (T48N4 IC)
- [2] - (T48N5 IC)
- [3] - (T40W IC)





No.	Part No.	Qty.	Description	Part Note
01	4089100301	1	SWITCH KIT	
01A	4084101199	1	E.B. KW4 INFINICLEAN 5 ELET.	
02	4083901505	1	TIMER CYCLE INFINICLEAN 5 OUT 230VDC	
02A	4089100302	1	SOLENOIDS ELECTRICAL KIT	
03	Z58 39702	1	TRANSFORMER 100VA 400/230	
03A	4089100303	1	SOLENOIDS/E.B. CONNECTION KIT	
04A	40000876	1	MOTOR POWER CORD	
05A	40000839	1	POWER CABLE KIT 5 POLES V400	
05A	40000978	1	POWER CABLE KIT 16A PLUG	
06A	4089100304	1	CARTER KIT	



No.	Part No.	Qty.	Description	Part Note
01	4089100305	1	SWITCH KIT	[1]
01	4089100306	1	SWITCH KIT	[2]
01A	4084101216	1	E.B. KW4 INFINICLEAN 5 ELET. 460V60HZ UL	[1]
01A	4084101200	1	E.B. KW4 INFINICLEAN 5 ELET. 220V60HZ UL	[2]
02	4083901496	1	MAGNETOTHERMAL 1A 1P CURVE D 10KA 5SY4	
02A	4089100302	1	SOLENOIDS ELECTRICAL KIT	
03	4083901300	1	MAGNETOTHERMAL 0.5A 2P CURVE D 10KA 5SY4	[1]
03	4083901316	1	MAGNETOTHERMAL 1A 2P CURVE D 10KA 5SY4	[2]
03A	4089100303	1	SOLENOIDS/E.B. CONNECTION KIT	
04	4083901503	1	TRANSFORMER 100VA 220-400-460/230V UL-CS	
04A	4089100259	1	MOTOR POWER CORD	[1]
04A	4089100266	1	MOTOR POWER CORD	[2]
05	4083901505	1	TIMER CYCLE INFINICLEAN 5 OUT 230VDC	
05A	4089100267	1	POWER CABLE KIT	[2]
05A	4089100260	1	POWER CABLE KIT	[1]

Part Notes:

- [1] - (T48N4 IC)
- [2] - (T48N5 IC)

