

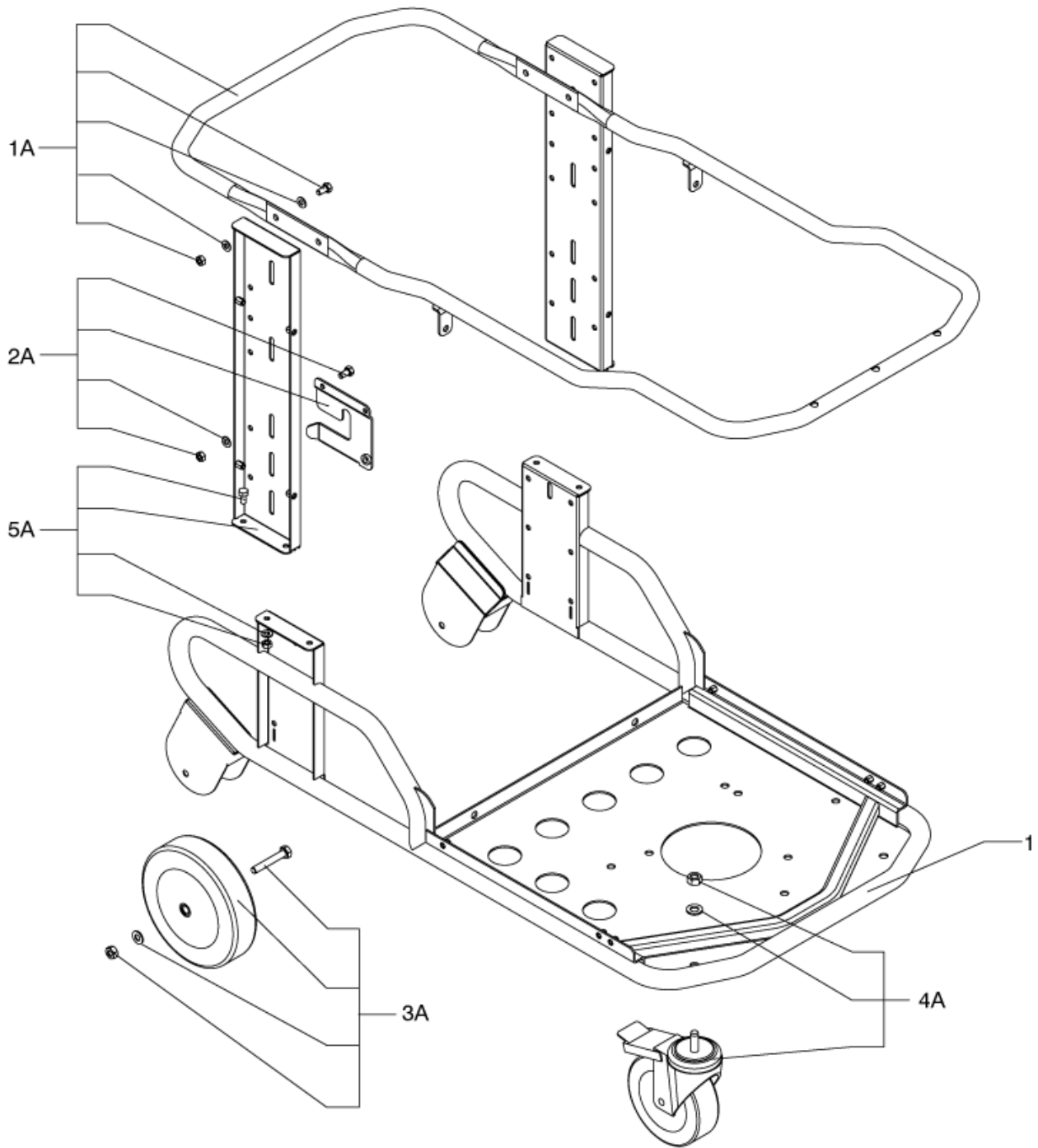
PARTS LIST



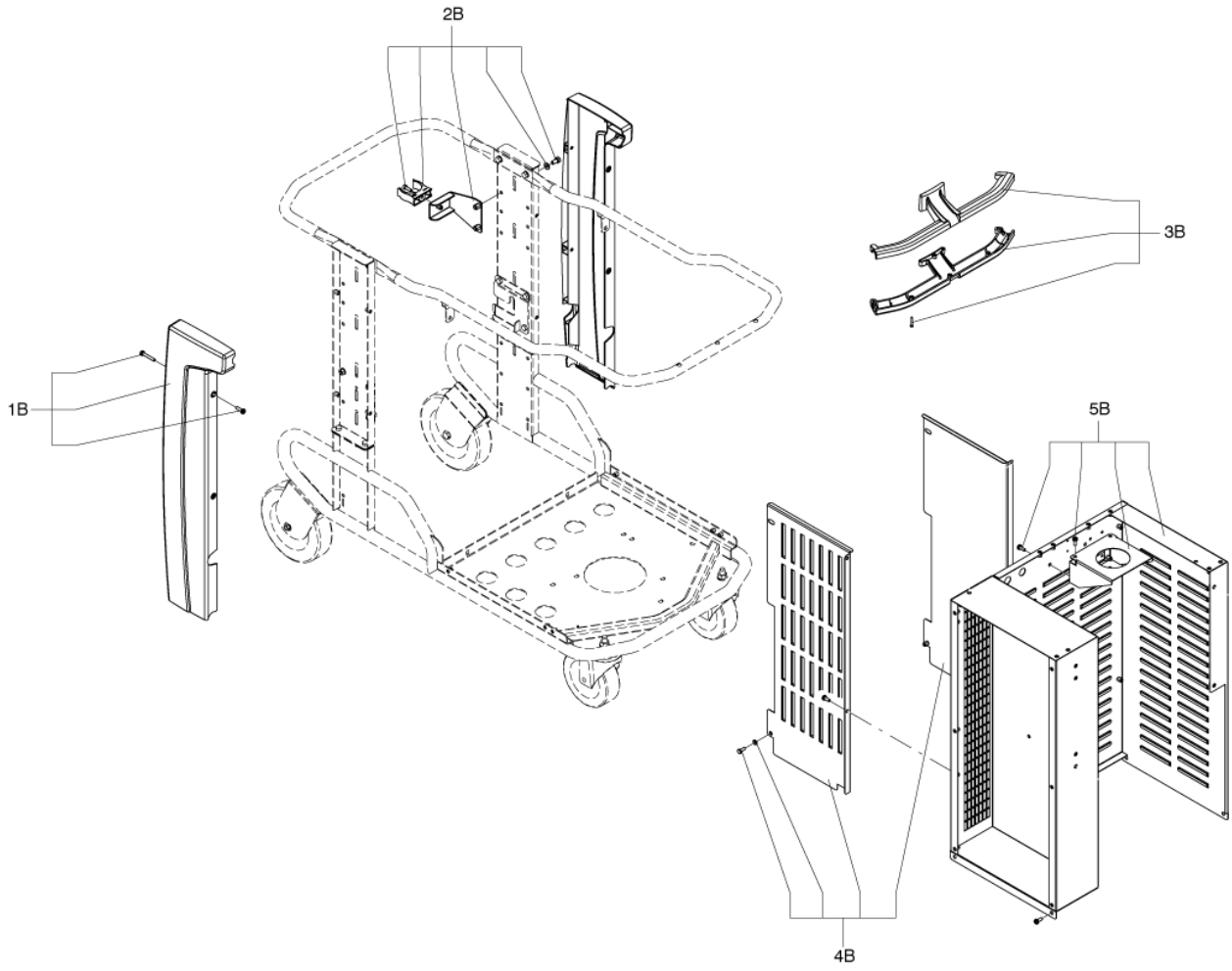
2018.02.08

TABLE OF CONTENTS

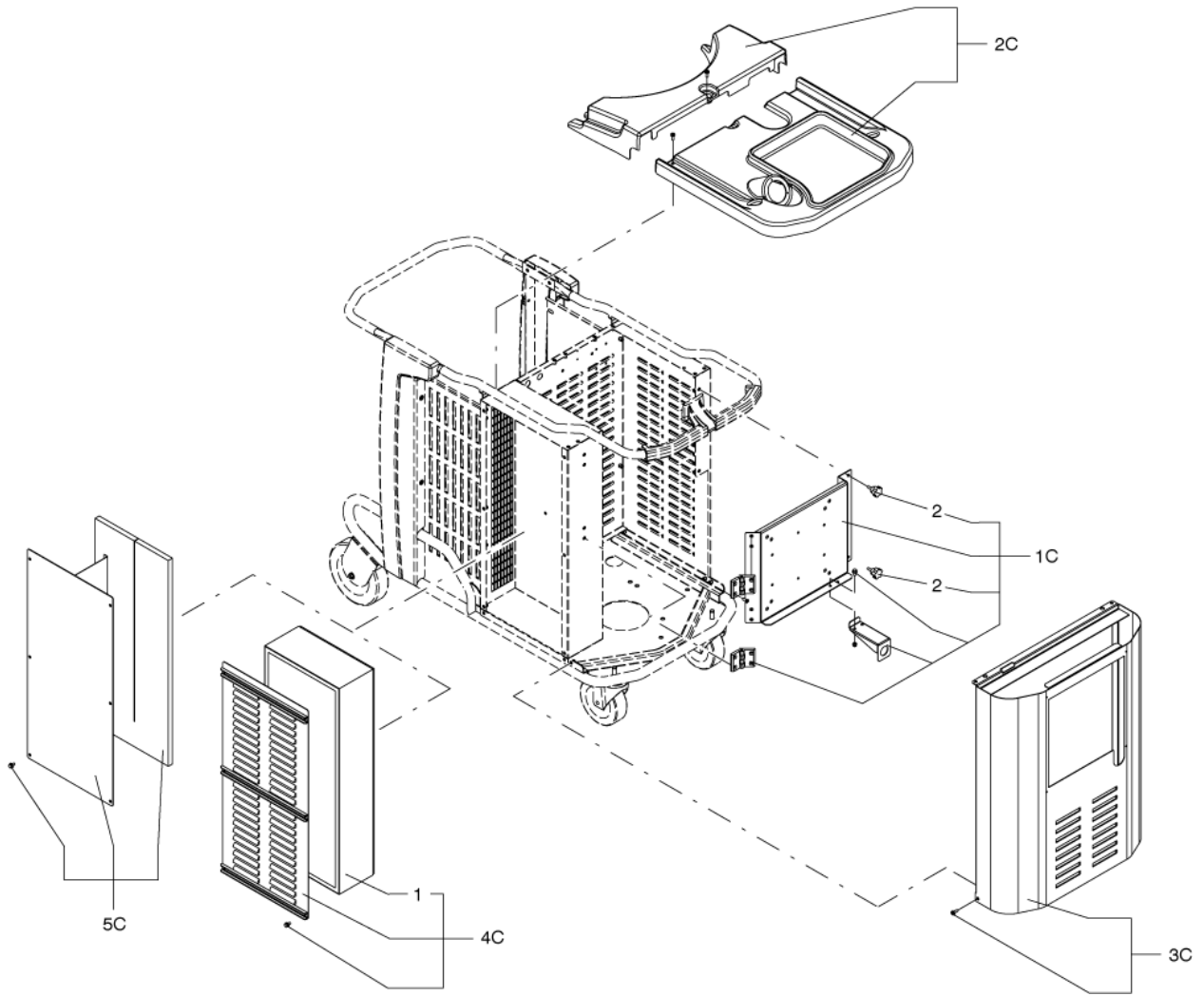
Car 01	1
Car 02	3
Car 03	5
Suction unit (Z21)	7
Suction unit (Z22)	9
Suction unit (Z2)	11
Diffuser	13
Safety filter (Z21)	15
Shaker unit	17
Filter group	19
Filter group (Cartridge)	21
Container unit	23
Cyclon kit	25
Grid group	27
Capacitive group	29
Electric system (Z21)	31
Electric system (Z22)	33
Electric system (Z2)	35
Electric system (Z21 Cartridge)	37
Electric system (Z22 Cartridge)	39
Recommended Spare Parts	41



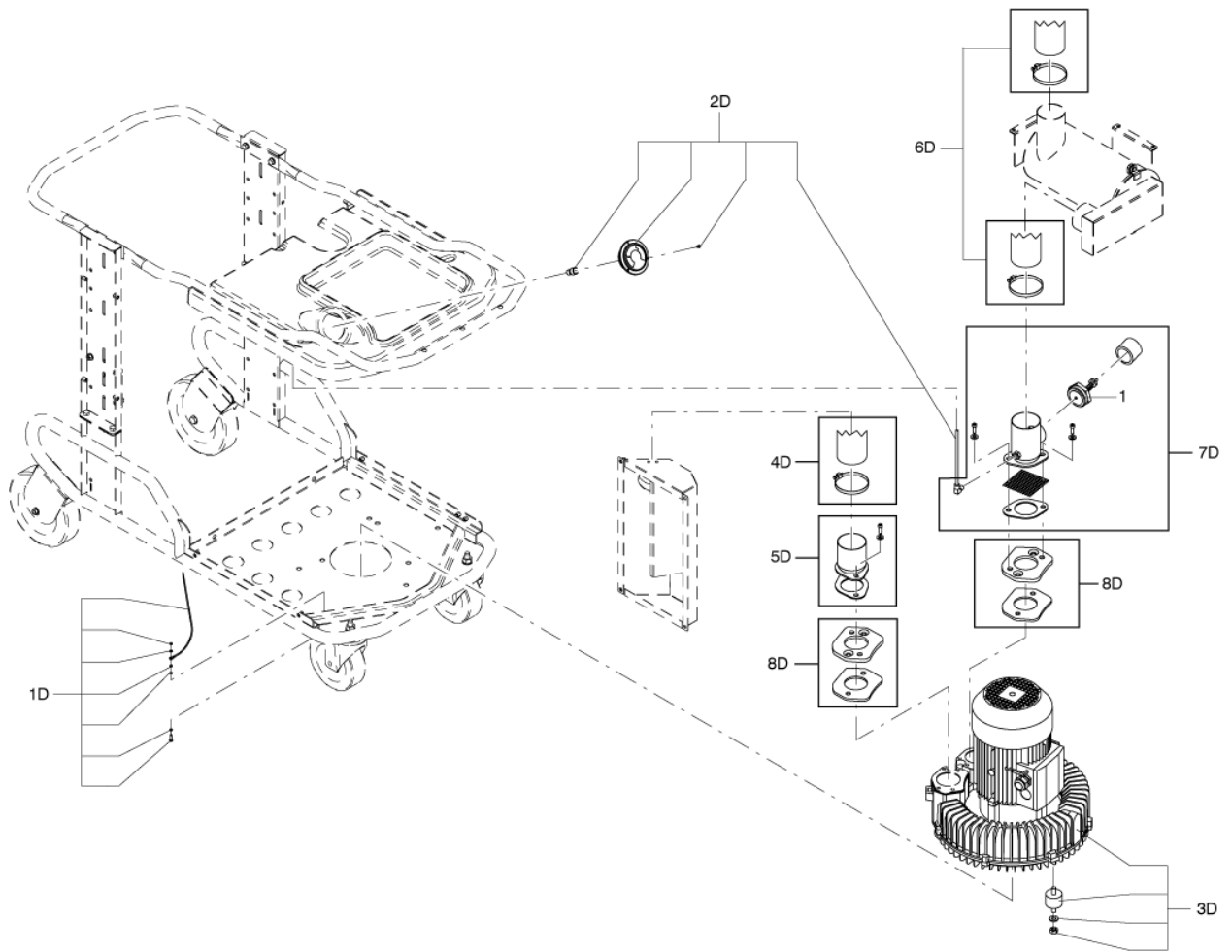
No.	Part No.	Qty.	Description	Part Note
01	4083600661	1	TROLLEY T-PLUS MODEL	
01A	4089100048	1	HANDLE KIT	
02A	40000872	1	BIN RELEASE KIT	
03A	4089100190	1	D.200 FIX ANTISTATIC	
04A	40000405	2	KIT ANTIST. REVOLV.	
05A	40000871	2	UPRIGHT KIT	



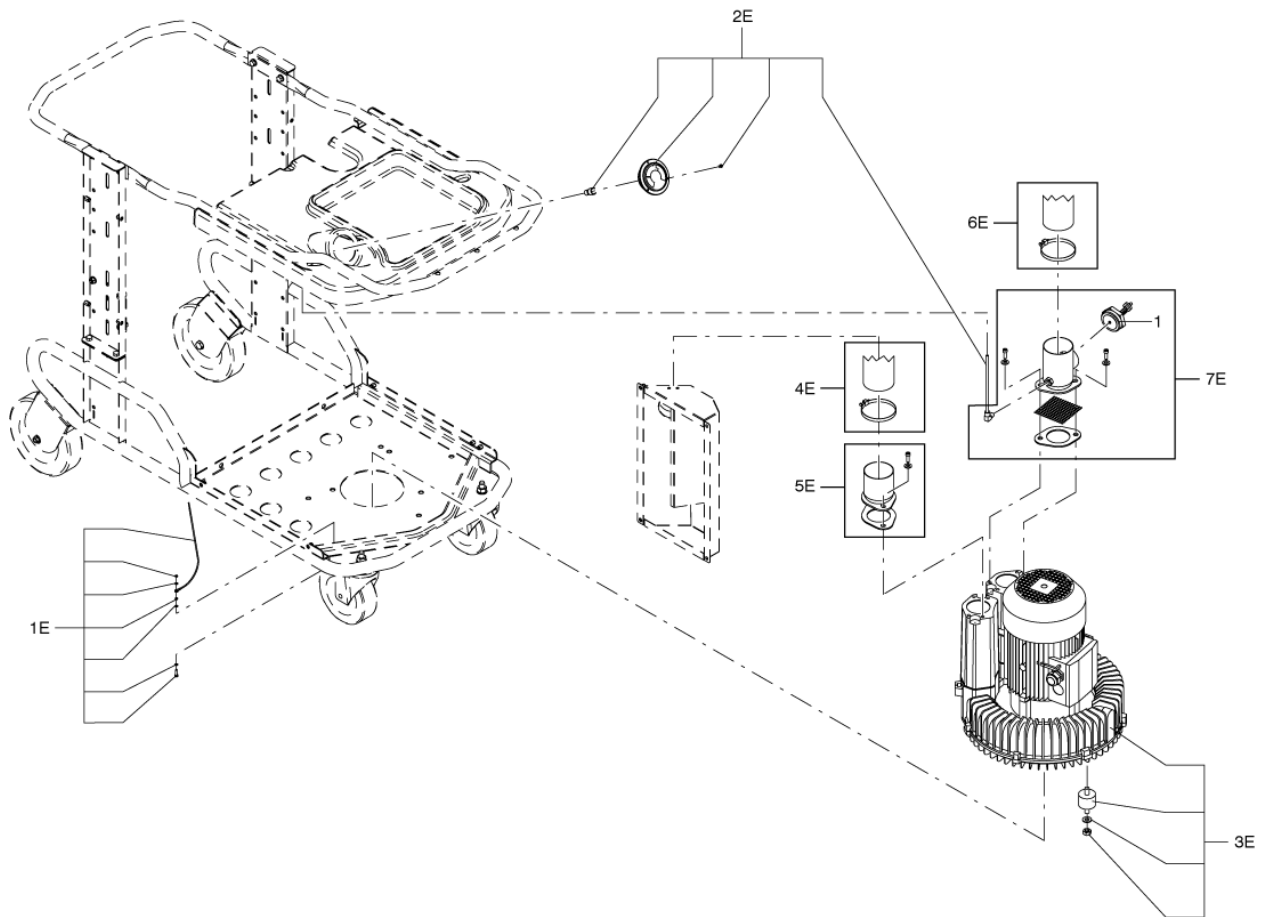
No.	Part No.	Qty.	Description	Part Note
01B	40000864	1	UPRIGHT PROTECTION KIT	
02B	40000856	1	HOSE HOLDER KIT	
03B	40000855	1	HANDLE KIT	
04B	4089100098	1	LATERAL PROTECTION KIT	
05B	4089100099	1	CARTER KIT	



No.	Part No.	Qty.	Description	Part Note
01	Z8 17653	1	ABSOLUTE FILTER 730X300X1	
01C	4089100104	1	ELECTRIC PANEL SUPPORT	
02	Z58 40190	2	KNOB D32 M6 x 20	
02C	4089100103	1	COMPARTMENT KIT	
03C	4089100102	1	CARTER KIT	
04C	4089100100	1	DOWNSTREAM ULPA FILTER	
05C	4089100101	1	BLOWING CARTER KIT	



No.	Part No.	Qty.	Description	Part Note
01	4089100213	1	1 1/2 LIMIT. VALVE WITH	
01D	40000877	1	GROUND CABLE KIT	
02D	40000969	1	3000 VACUUM GAUGE KIT	
03D	4089100211	1	SUCTION UNIT KIT ATEX 7.5KW V400/690/50	
04D	40000730	1	SUCTION HOSE KIT	
05D	40000556	1	KIT BLOWING CONNECTION	
06D	4089100194	1	BLOWING TUBE KIT	
07D	4089100212	1	D70 CONNECT. WITH LIMIT. DEVICE KIT	
08D	40000820	2	SUCTION ADAPTER KIT	



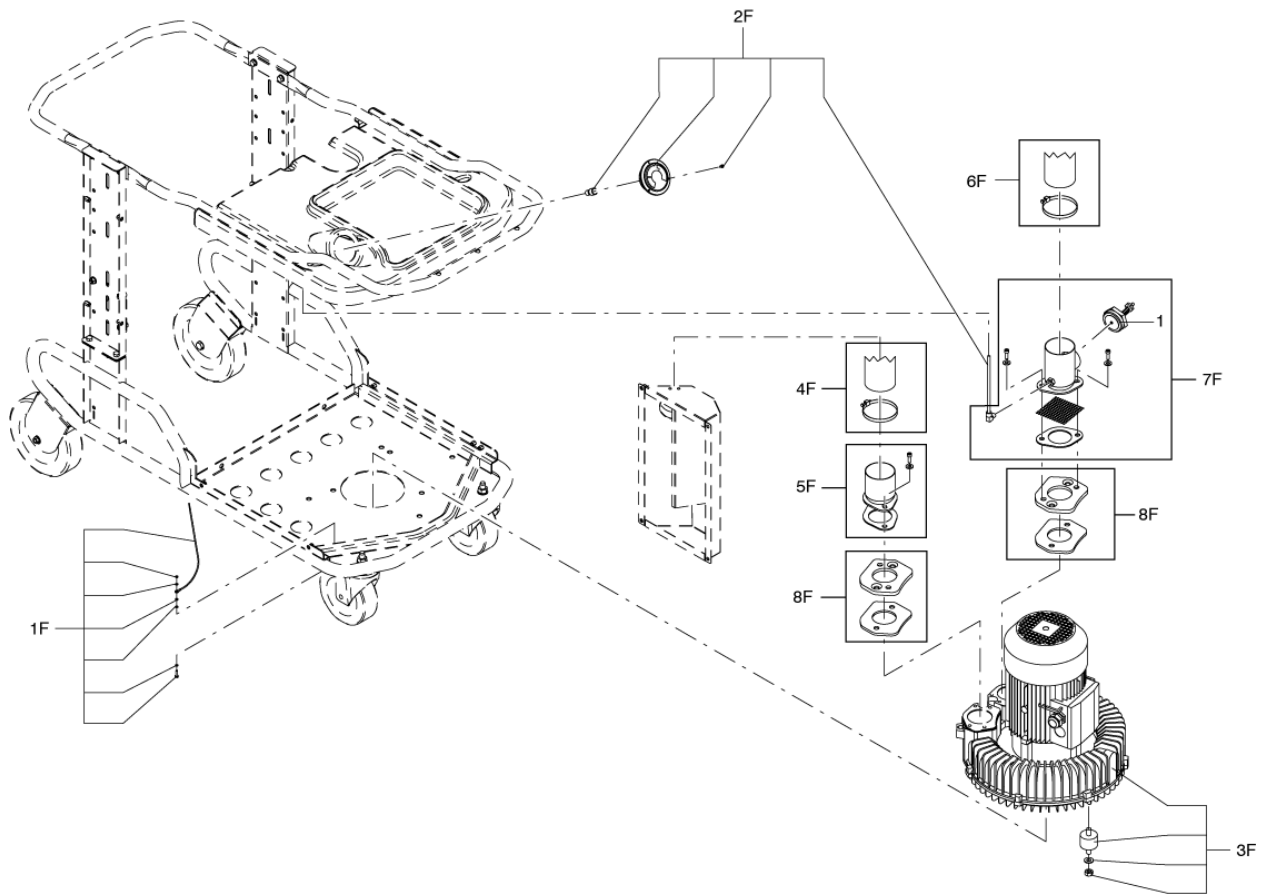
Suction unit (Z22)

T40WPlus Z21

2017.11.02

2017.03.31

No.	Part No.	Qty.	Description	Part Note
01	Z8 34024	1	RELIEF VALVE 1 1/2	
01E	40000877	1	GROUND CABLE KIT	
02E	40000969	1	3000 VACUUM GAUGE KIT	
03E	4089100185	1	BLOWER KIT	
04E	40000730	1	SUCTION HOSE KIT	
05E	40000556	1	KIT BLOWING CONNECTION	
06E	40000605	1	KIT BLOWING TUBE	
07E	4089100186	1	D70 CONNECT. WITH	



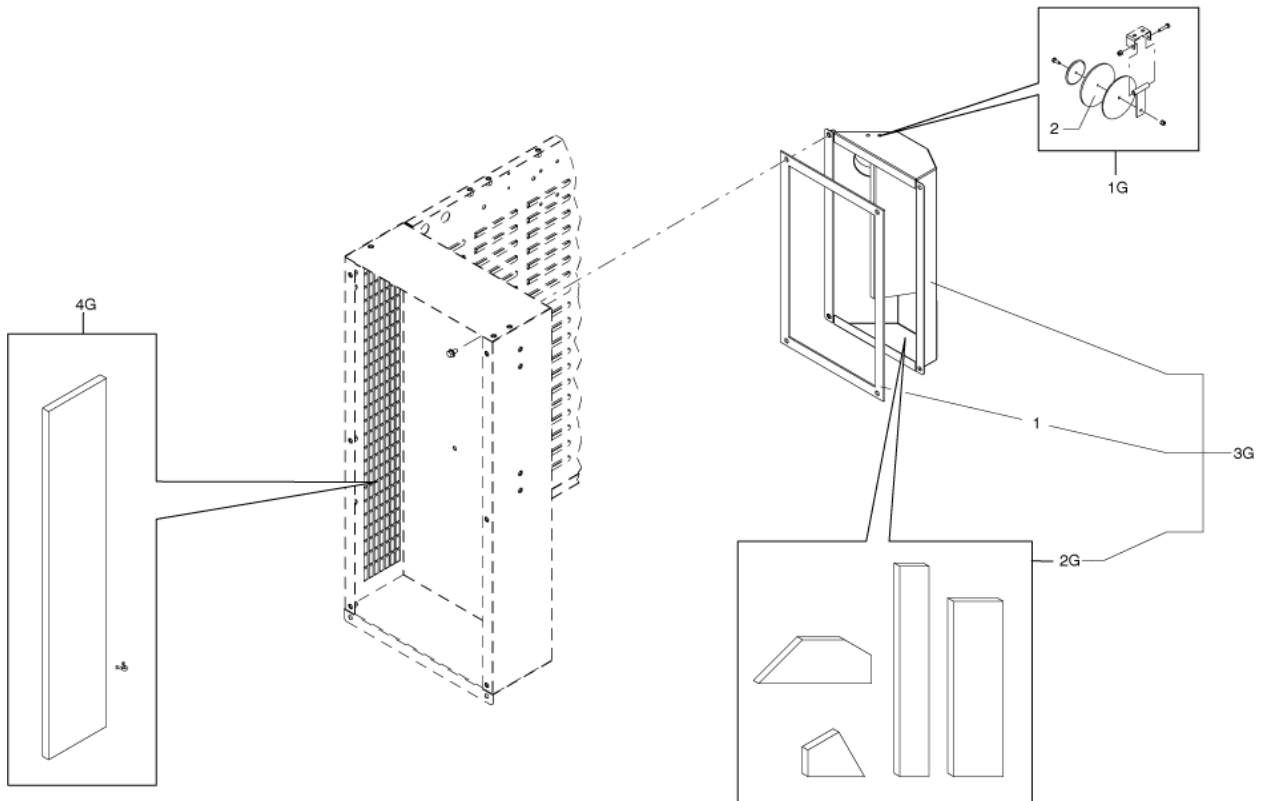
Suction unit (Z2)

T40WPlus Z21

2017.11.02

2017.03.31

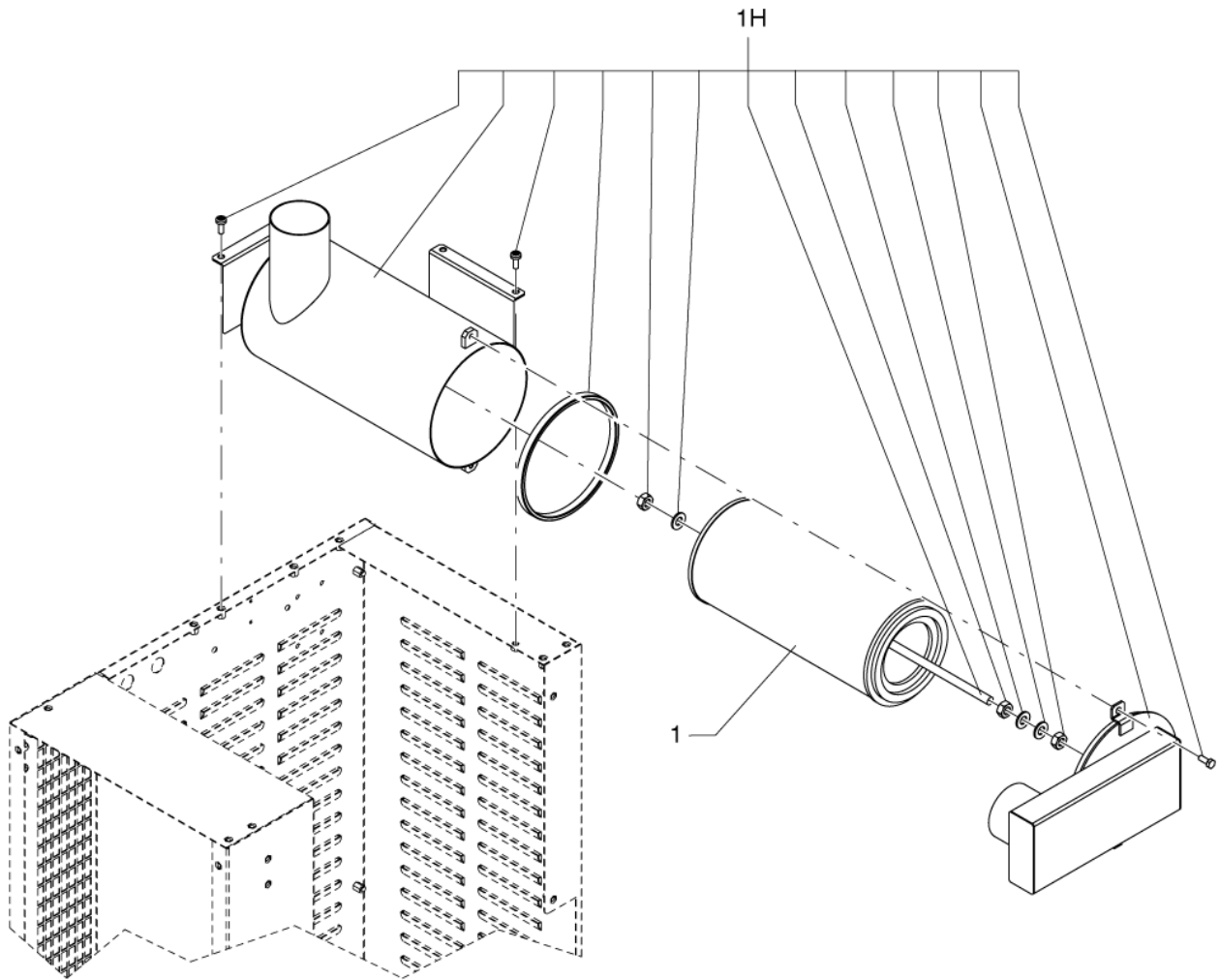
No.	Part No.	Qty.	Description	Part Note
01	Z8 34024	1	RELIEF VALVE 1 1/2	
01F	40000877	1	GROUND CABLE KIT	
02F	40000969	1	3000 VACUUM GAUGE KIT	
03F	4089100217	1	SUCTION UNIT KIT. ATEX 7.5KW V400/690/50	
04F	40000730	1	SUCTION HOSE KIT	
05F	4089100218	1	D70 BLOWING CONNECTION KIT	
06F	4089100194	1	BLOWING TUBE KIT	
07F	4089100219	1	D70 SUCTION CONNECT. KIT WITH LIM.DEVICE	
08F	40000420	2	KIT CASTORS FOR CONTAINER INOX MOD.A17	



No.	Part No.	Qty.	Description	Part Note
01	Z8 17647	1	JUNCTION FOR CONVEYOR	[1]
01G	4089100111	1	CLAPPET KIT	
02	Z58 17274	1	JUNCTION FOR FLAP INLET	
02G	4081701026	1	SOUNDPROOF CONVEYOR KIT	
03G	4089100110	1	CONVEYOR KIT	
04G	4089100109	1	DIFFUSER FILTER KIT	

Part Notes:

[1] - CONTACT PM ZOCCA



Safety filter (Z21)

T40WPlus Z21

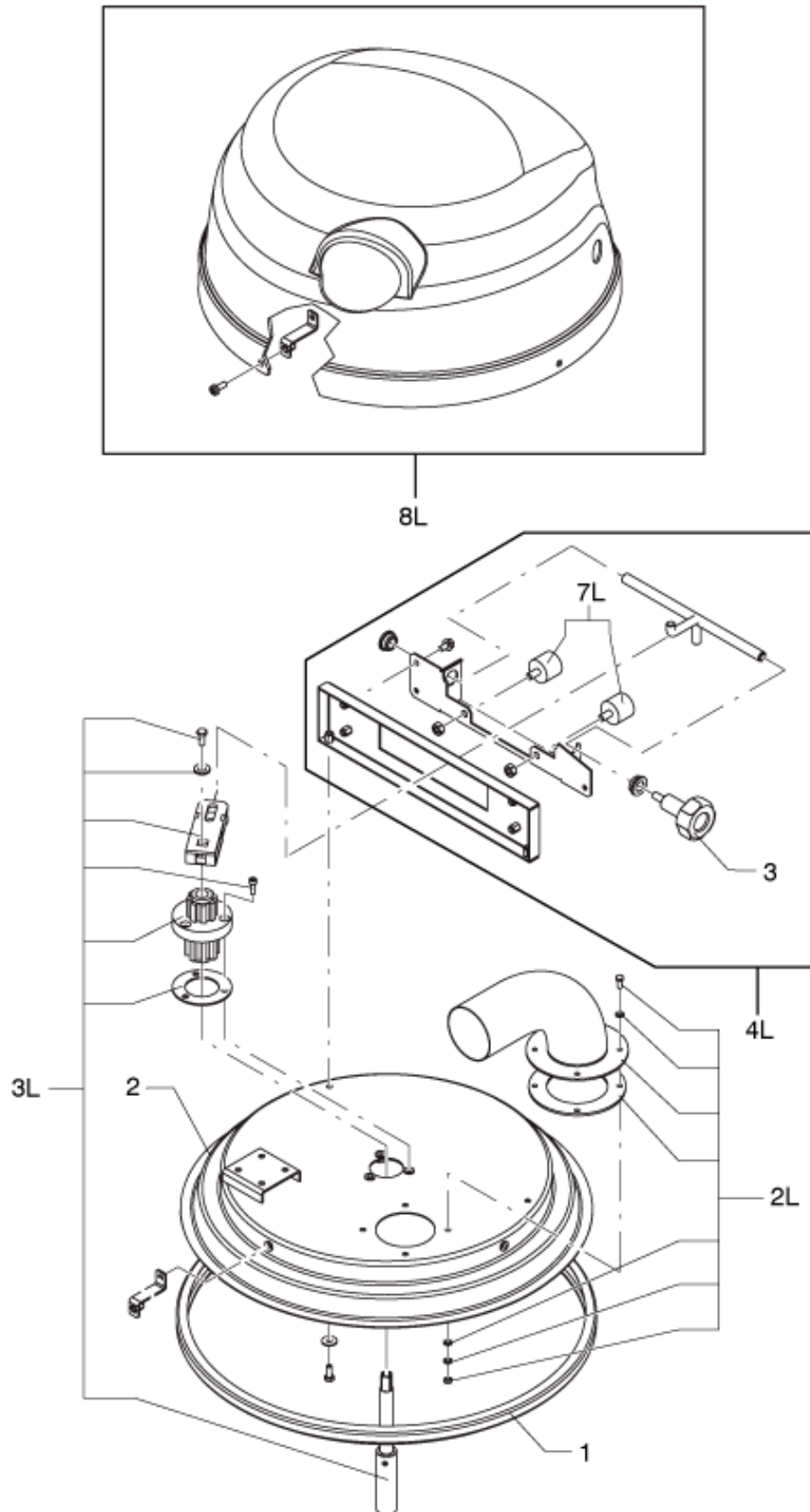
2017.11.02

2013.04.02

No.	Part No.	Qty.	Description	Part Note
01	Z8 17698	1	SAFETY FILTER ATEX 3308-	[1]
01H	4089100197	1	ABSOLUTE FILTER SUPPORT	

Part Notes:

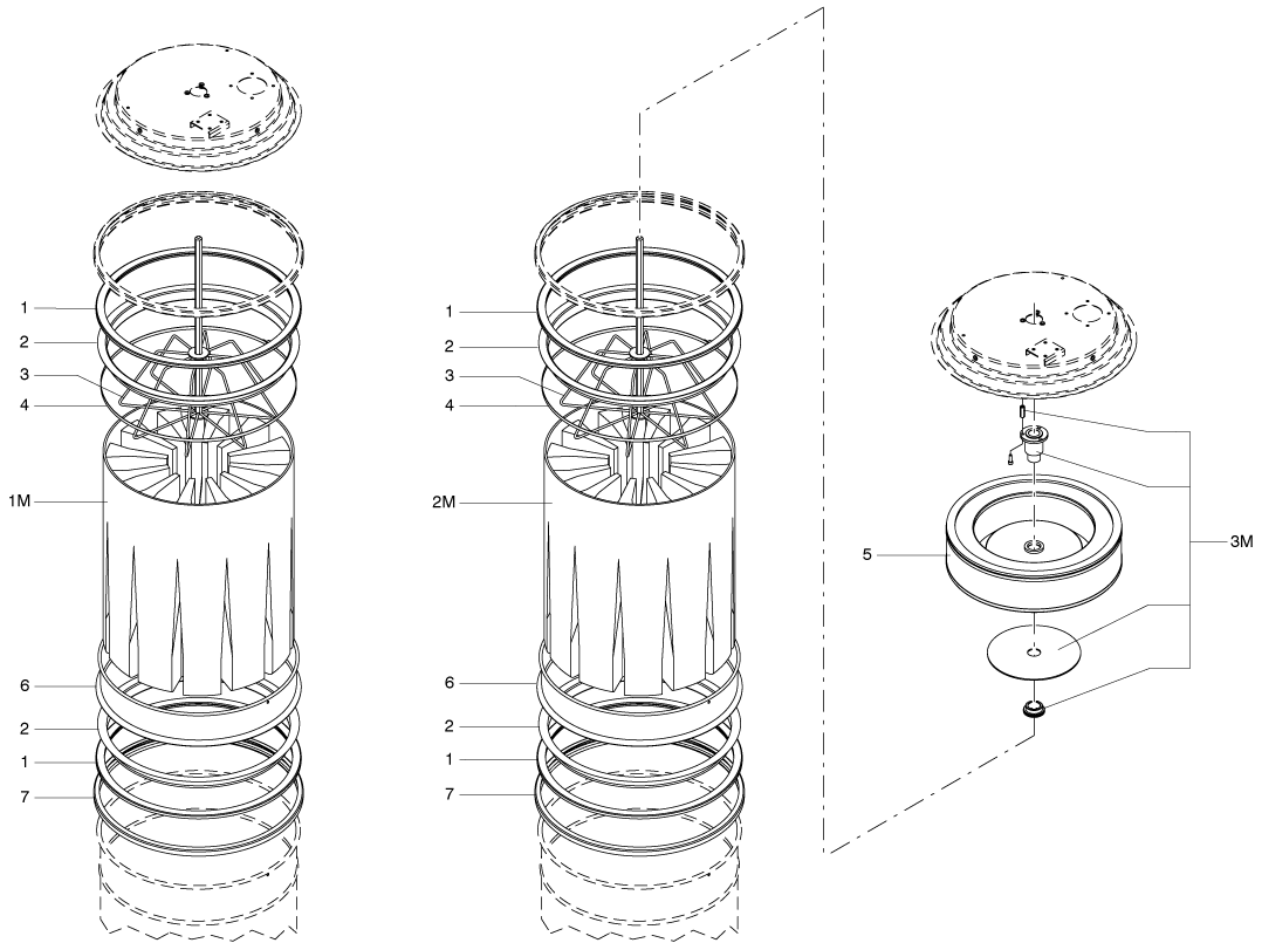
[1] - CONTACT PM ZOCCA



No.	Part No.	Qty.	Description	Part Note
01	Z8 36191	1	BAND LOCK D.460	
01	Z8 36355	1	BAND LOCK D460 INOX 3308 COMP. W.BRACKET	[1]
02	4081500214	1	D460 FILTER HOLDER FE	
02L	40000426	1	KIT CAP COUPLING D70 FE	
03	4084001012	1	KNOB M8 FOR FIL SHAKER	
03L	40000900	1	FILTERSHAKER DEVICE KIT	
04L	4089100060	1	FILTERSHAKER KIT	
07L	40000907	1	PUFFER KIT	
08L	4089100059	1	COVER KIT	

Part Notes:

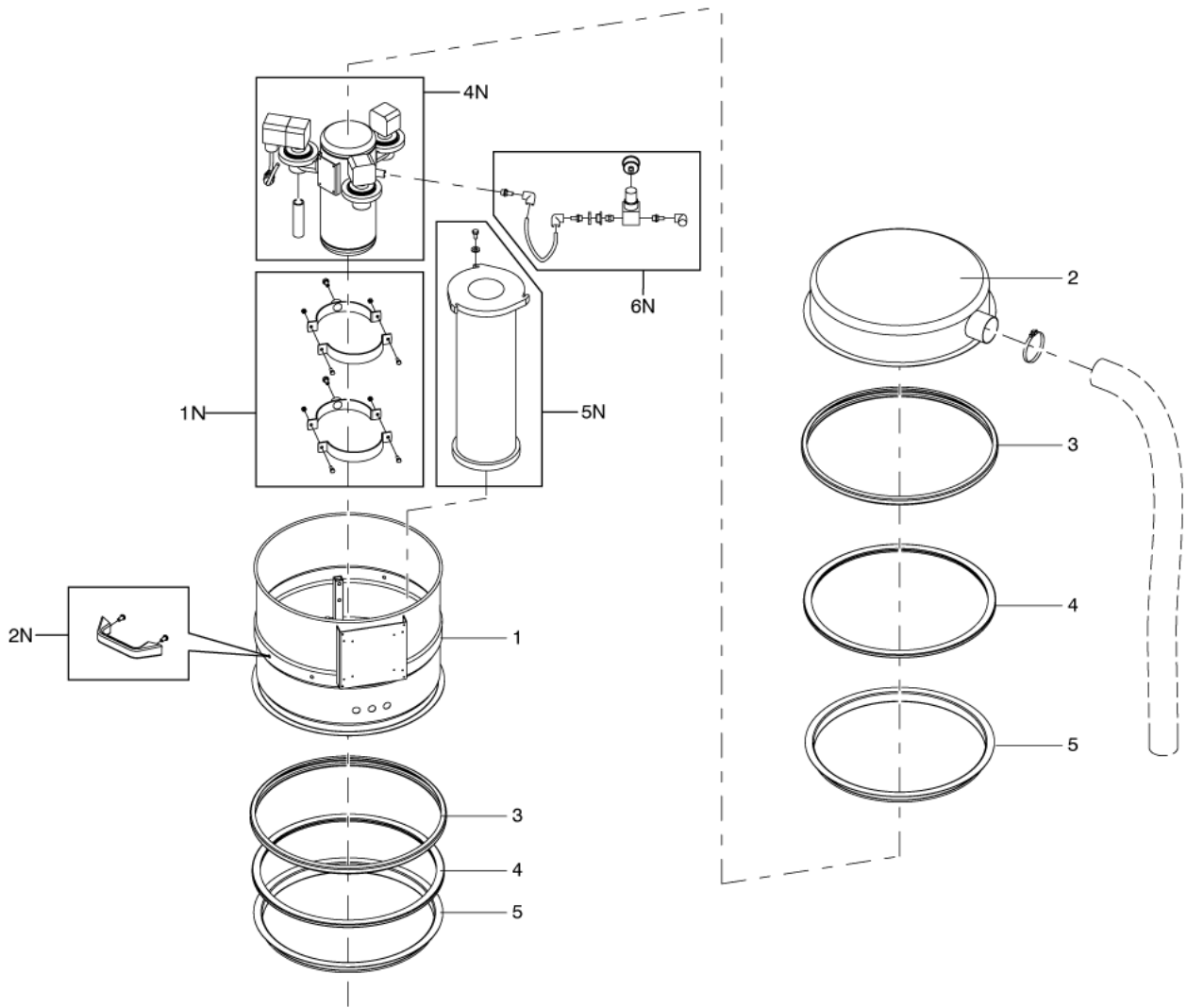
[1] - CONTACT PM IN ZOCCA



No.	Part No.	Qty.	Description	Part Note
01	Z8 17026	1	460MM FILTER GASKET	
01	Z8 17126	1	FILTER SEAL D460 SILIC.	
01M	4089100207	1	D460X550 ANTISTATIC	
01M	4089100209	1	D460X550 ANTISTATIC	
02	Z8 15003	1	460MM FILTER RING	
02	Z8 15010	1	FILTER HOLDER RING D460	
02M	4089100209	1	D460X550 ANTISTATIC	
03	4083300371	1	CAGE D460 8 ELEMENT MOD.T75	
03M	40000897	1	KIT ABSOLUTE FILTER	
04	4081801387	1	FILTER BLOCK TIE D460	
04	Z8 18079	1	460MM FILTER HOLDER	
05	4081700935	1	ABSOLUTE FILTER 415X100	
06	4081100143	1	FILTER CHAMBER D460X90 FE INCREASED FILT	
07	Z8 36191	1	BAND LOCK D.460	
07	Z8 36355	1	BAND LOCK D460 INOX 3308 COMP. W.BRACKET	[1]
NS	4056000634	1	INCREASED FILTER FILT.CHAMBER R7001 KIT	

Part Notes:

[1] - CONTACT PM IN ZOCCA



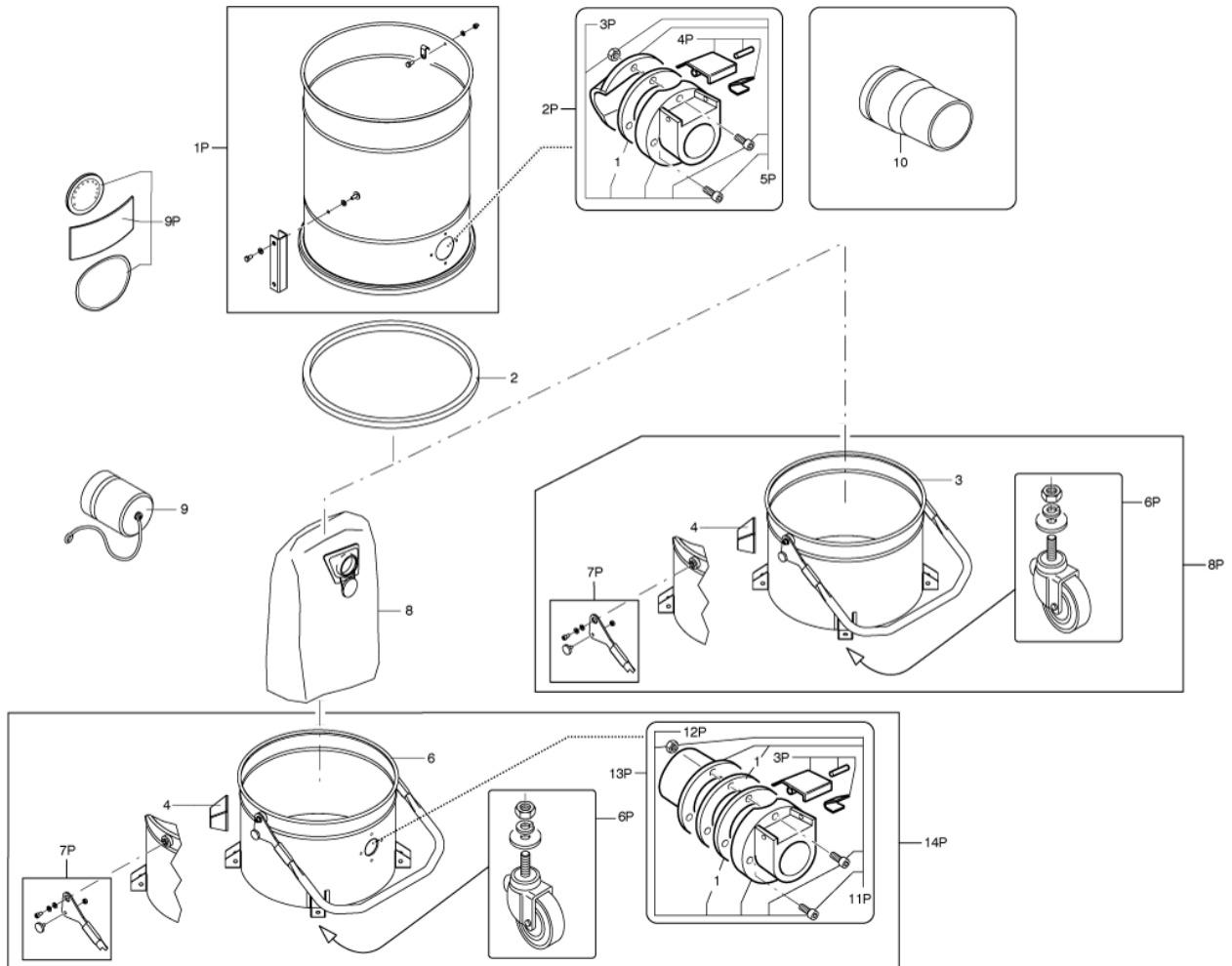
Filter group (Cartridge)

T40WPlus Z21

2017.11.02

2013.04.02

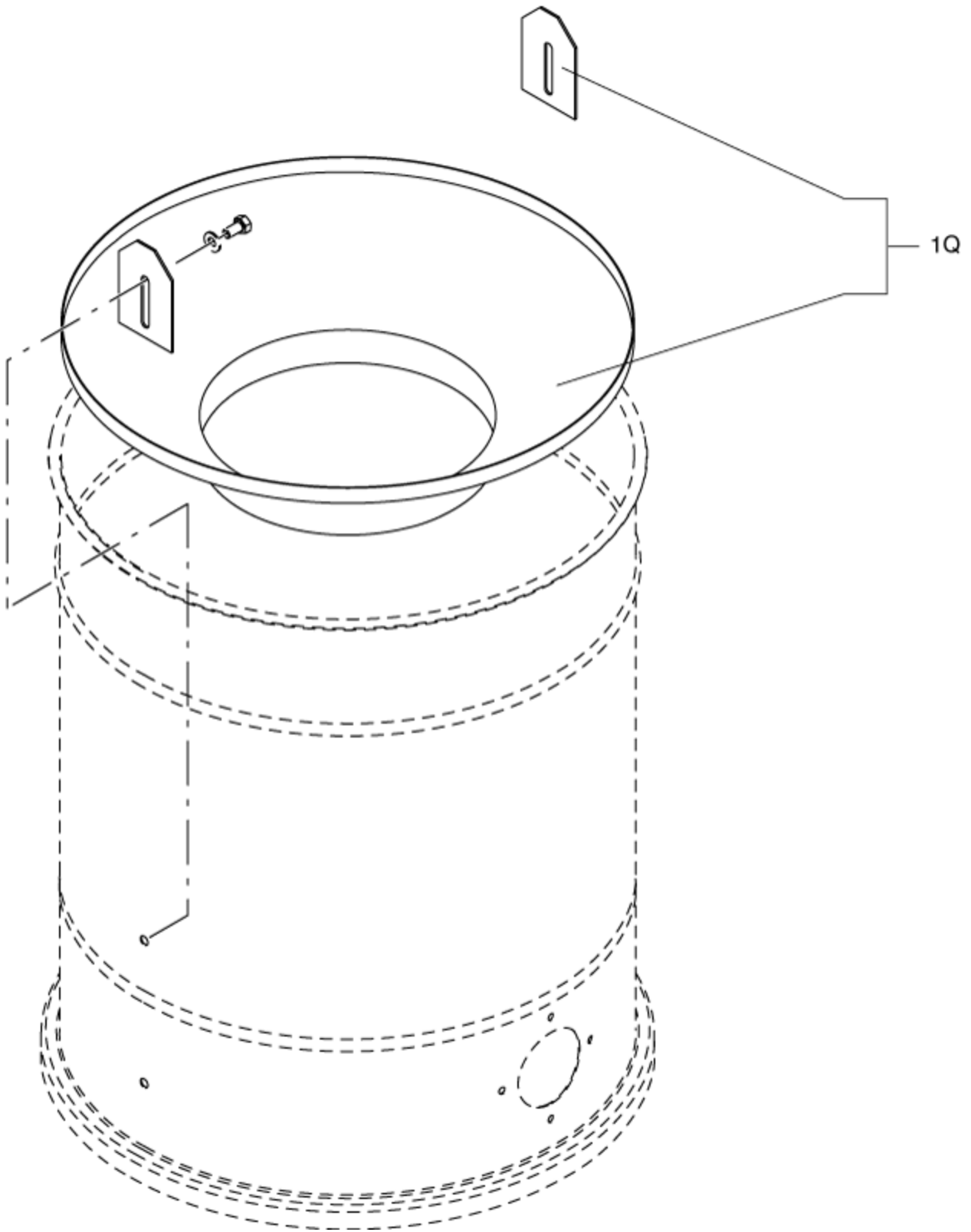
No.	Part No.	Qty.	Description	Part Note
01	4083100991	1	D460 CONTAINER	
01N	4089100116	1	D140 COLLAR TANK KIT	
02	4083101090	1	CAP. D460 MOD.T40WP	
02N	40000423	1	KIT HANDLE SS	
03	Z8 36191	2	BAND LOCK D.460	
04	Z8 17026	2	460MM FILTER GASKET	
04N	4089100204	1	AIR TANK KIT	
05	Z8 15003	2	460MM FILTER RING	
05N	4089100114	3	CARTRIDGE KIT	
06N	4089100121	1	AIR FITTING KIT	



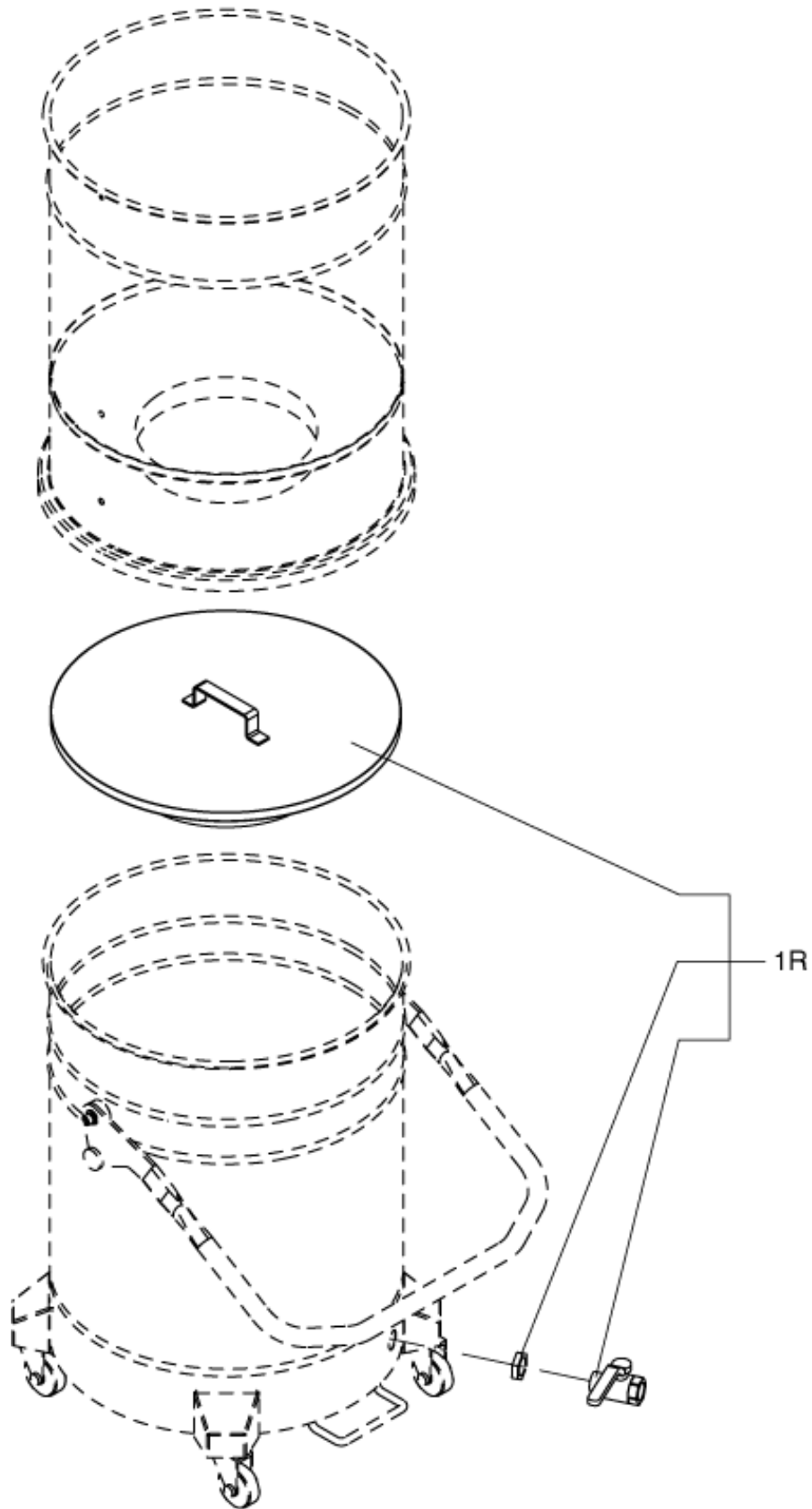
No.	Part No.	Qty.	Description	Part Note
01	Z8 17006	3	SEAL	
01P	40000895	1	STAIN LESS FILTER	
01P	40000869	1	FILTER CHAMBER KIT	
02	40000762	1	SEAL	
02P	40000868	1	D70 INLET FULL KIT	
02P	40000418	1	KIT COMPLETE INLET D70	
03	4083000506	1	BIN D460 L50xM.S2-S3 FROM 4083000505	
03	4083000509	1	BIN D460 L100 IN SS M.S3	
03P	40000867	1	D70 INLET KIT	
03P	40000344	1	KIT INLET INOX D70	
03P	4089100929	1	KIT INLET D70 FOR ATEX COMPLETE	
04	Z8 17021	4	BUMPER WHEEL HOLDER	
04P	40000345	1	KIT PUSHBUTTON FOR	
05P	40000395	1	KIT DEFLECTOR D70	
05P	40000416	1	KIT DEFLECTOR D70 INOX	
06	4083000514	1	BIN D460 L50 FOR BAG	
06P	40000484	1	KIT CASTORS FOR	
07P	40000879	1	HANDLE KIT L100	
07P	40000866	1	HANDLE KIT L50	
08	Z8 40874	1	DUST SAFE BAG SYSTEM	
08P	4083000510	1	COMPLETE BIN D460 L100	
08P	4083000507	1	COMPLETE BIN D460 L50 SS S2-S3	
09	Z7 21072	1	PLUG X INLET D70 INOX COMPLETE	[1]
09	Z7 21070	1	PLUG X INLET D70 FE	
09P	4089100205	1	Z21/Z2 PLUS SERIES LABEL KIT	
10	Z7 22001	1	IRON REDUCER 70/50	
10	Z7 22225	1	STAINLESS REDUCER 70/50	
11P	40000733	1	BAG CONNECTION D70	
12P	4089100210	1	D70 INLET KIT	
13P	40000734	1	D70 STAINLESS STEEL	
14P	4056000475	1	KIT DISPOSAL SYSTEM	
NS	4089100764	1	FILTER CHAMBER KIT MOD.PLUS CLOSED	[2]
NS	4089100763	1	FILTER CHAMBER KIT CLOSED SS	[2]

Part Notes:

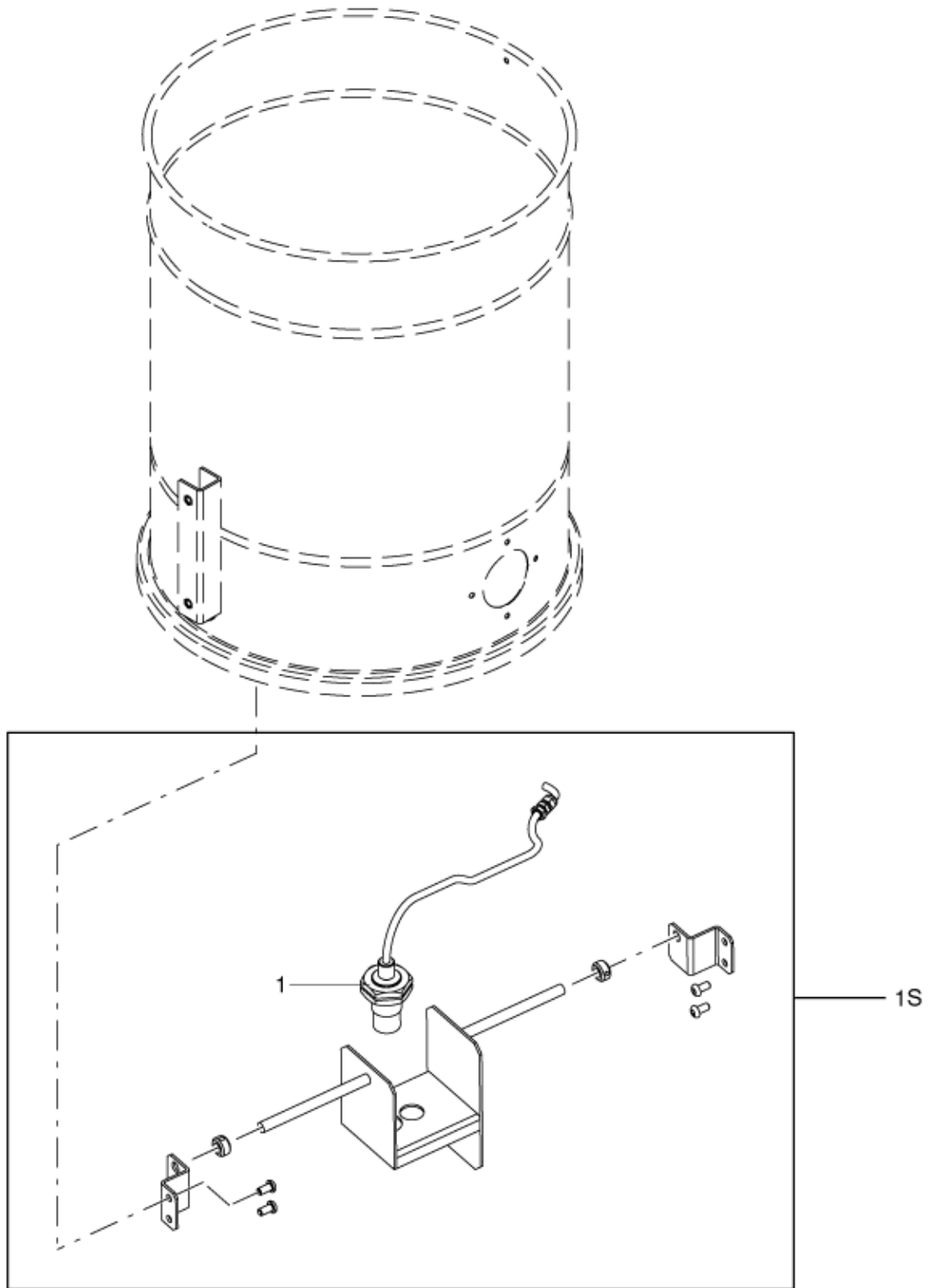
- [1] - CONTACT PM ZOCCA
- [2] - CONTACT PM IN ZOCCA



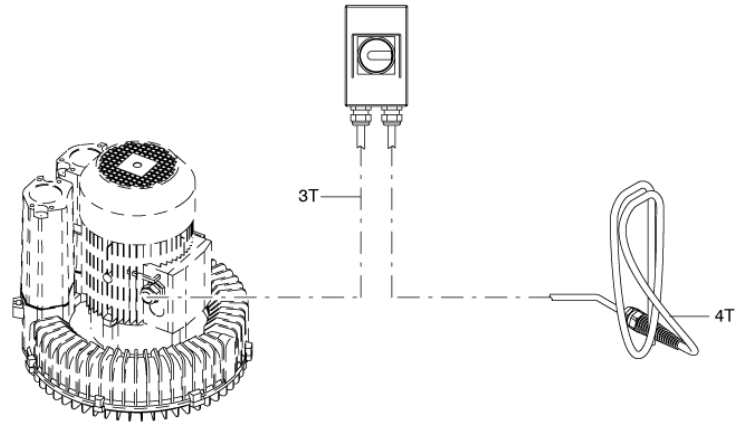
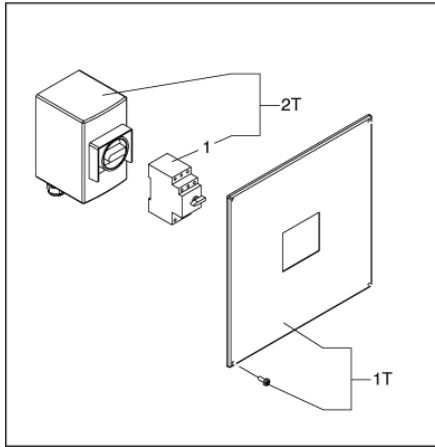
No.	Part No.	Qty.	Description	Part Note
01Q	Z5 60116	1	STAINLESS STEEL CYCLONE	



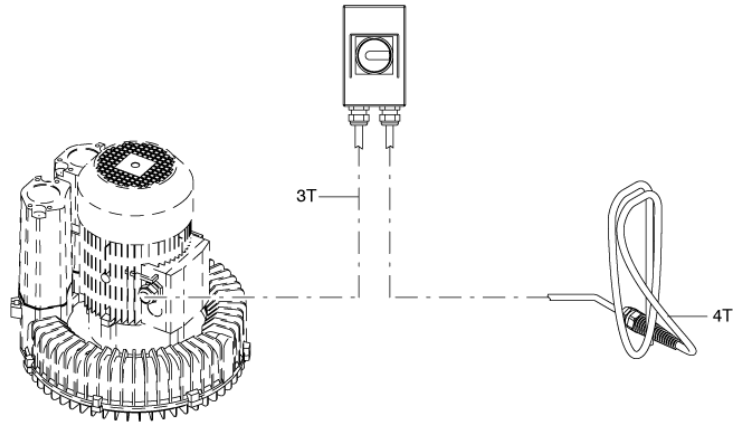
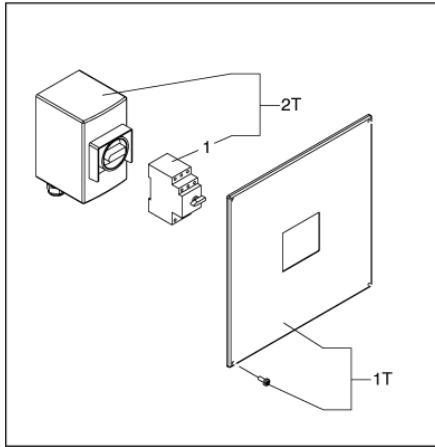
No.	Part No.	Qty.	Description	Part Note
01R	Z5 60036	1	GRID AND VALVE D460 INOX	



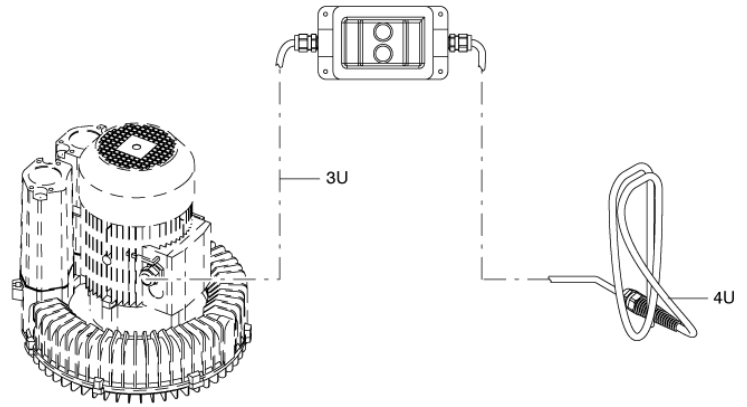
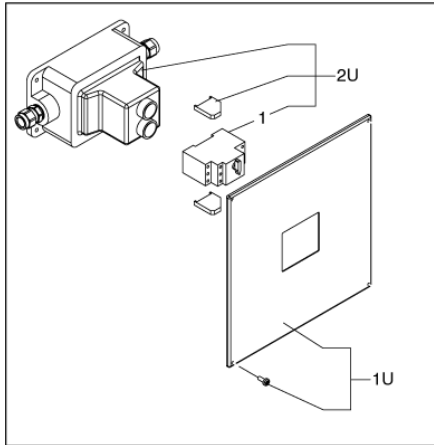
No.	Part No.	Qty.	Description	Part Note
01	Z58 391200	1	SENS.CAP.M30 II1D2G	
01S	4089100206	1	Z21/Z2 CAPACITIVE	
NS	4083901692	1	CABLE 4P 5M CONNECTOR M12 FOR SENSOR	



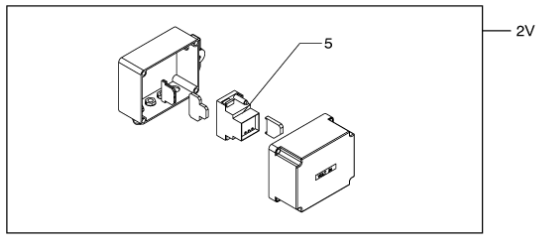
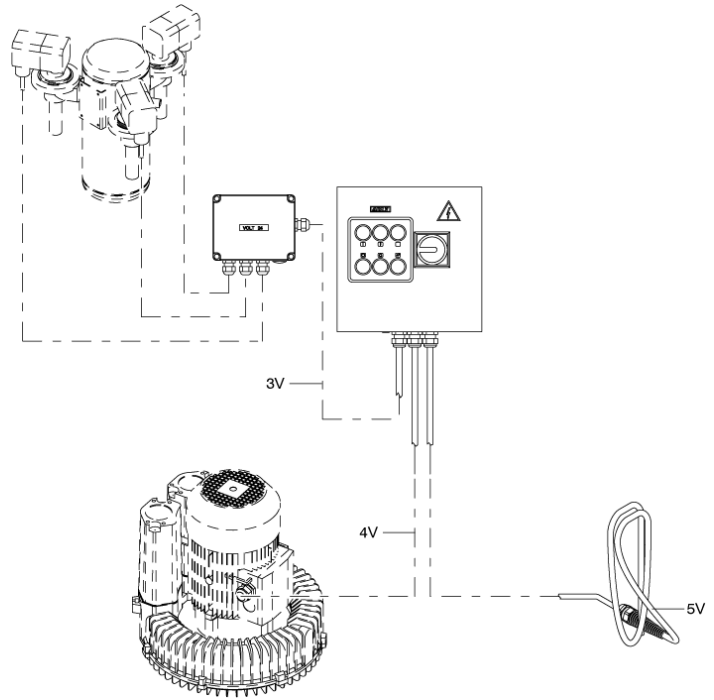
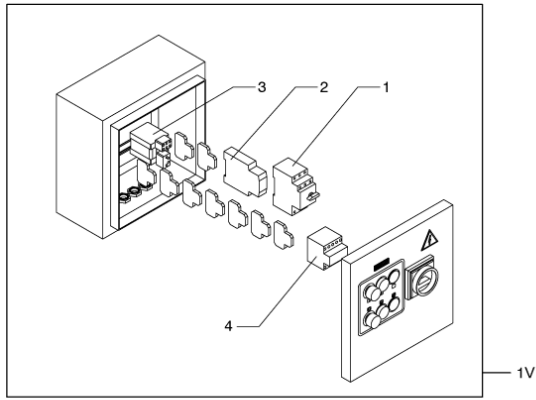
No.	Part No.	Qty.	Description	Part Note
01	z8 39014	1	CIRCUIT BREAKER 11-16 A	
01T	4089100126	1	CARTER KIT	
02T	4089100214	1	ELECTRIC INSTALL KIT	
03T	40000876	1	MOTOR POWER CORD	
04T	4089100215	1	POWER CABLE KIT 32A	
04T	4089100216	1	POWER CABLE KIT 32A	



No.	Part No.	Qty.	Description	Part Note
01	4083901540	1	CIRCUIT BREAKER 9-12.5 A SIR.IN.S00	
01T	4089100126	1	CARTER KIT	
02T	4089100187	1	ELECTRIC INSTAL KIT	
03T	40000876	1	MOTOR POWER CORD	
04T	4089100199	1	POWER CABLE KIT 16A	
04T	4089100200	1	POWER CABLE KIT 16A	
NS	z8 391050		TRANSFORMER 20VA 400-230/	
NS	z8 391120		RELAY PHASE SEQUENCE 180-	



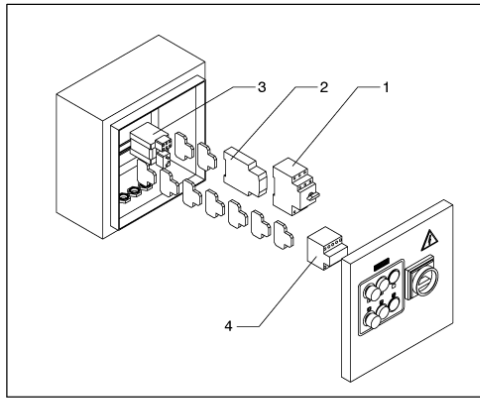
No.	Part No.	Qty.	Description	Part Note
01	Z8 39681	1	CIRCUIT BREAKER KLOCK.	
01U	4089100201	1	CARTER KIT	
02U	4089100220	1	ELECTRIC INSTALL KIT	
03U	40000876	1	MOTOR POWER CORD	
04U	4089100215	1	POWER CABLE KIT 32A	
04U	4089100216	1	POWER CABLE KIT 32A	



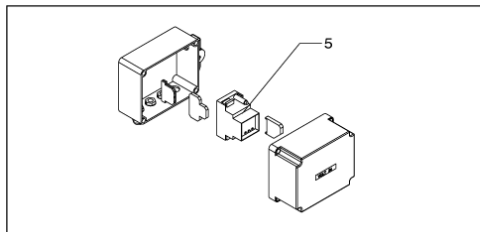
No.	Part No.	Qty.	Description	Part Note
01	z8 39014	1	CIRCUIT BREAKER 11-16 A	
01V	Z8 41655	1	E.B. KW7.5 SF ATEX Z21	[1]
02	z8 391120	1	RELAY PHASE SEQUENCE 180-	
02V	Z8 41039	1	SWITCH FOR CONVERSION KIT	
03	z8 391050	1	TRANSFORMER 20VA 400-230/	
03V	4089100208	1	POWER CABLE KIT	
04	4089100221	1	KW11 24VAC REMOTE SWITCH KIT	[2]
04V	40000876	1	MOTOR POWER CORD	
05	4089100129	1	24VDC DPDT RELAY KIT	
05V	4089100216	1	POWER CABLE KIT 32A	
05V	4089100215	1	POWER CABLE KIT 32A	

Part Notes:

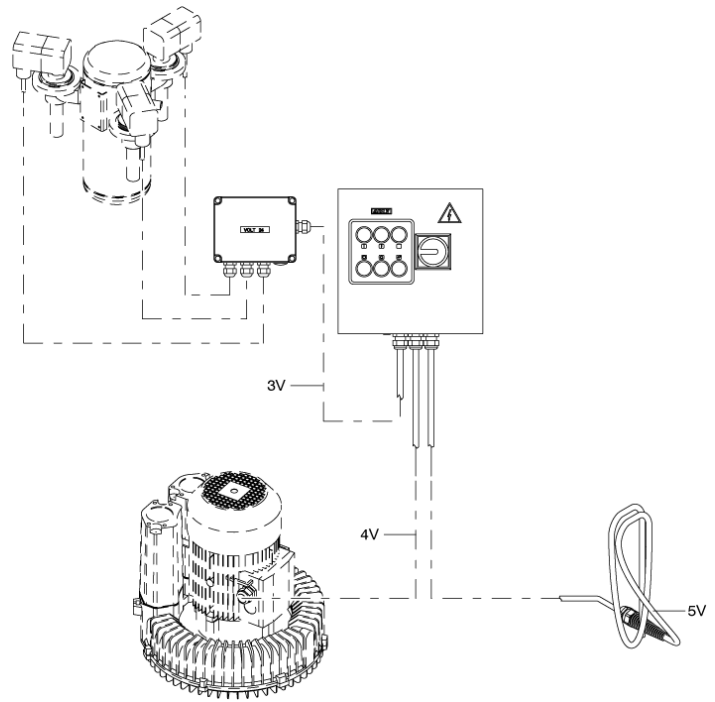
- [1] - CONTACT PM ZOCCA
[2] - CONTACT PM IN ZOCCA-CHECK EC



1V



2V



No.	Part No.	Qty.	Description	Part Note
01	4083901540	1	CIRCUIT BREAKER 9-12.5 A SIR.IN.S00	
01V	Z8 41591	1	E.B. KW4 SF	
02	z8 391120	1	RELAY PHASE SEQUENCE 180-	
02V	4084101014	1	E.B. KIT CART. D3-560-780 24VAC IP65	
03	z8 391050	1	TRANSFORMER 20VA 400-230/	
03V	4089100208	1	POWER CABLE KIT	
04	z8 39281	1	CONTACTOR KW4 24VAC 1NO	[1]
04V	40000876	1	MOTOR POWER CORD	
05	Z8 391107	1	CYCLIC TIMER 24VAC 4OUT	
05V	4089100200	1	POWER CABLE KIT 16A	
05V	4089100199	1	POWER CABLE KIT 16A	

Part Notes:

[1] - CONTACT PM IN ZOCCA-CHECK EC

No.	Part No.	Qty.	Description	Part Note
01	4089100190	1	D.200 FIX ANTISTATIC	
02	40000405	1	KIT ANTIST. REVOLV.	
03	Z8 17653	1	ABSOLUTE FILTER 730X300X1	
04	Z58 40190	1	KNOB D32 M6 x 20	
05	4089100100	1	DOWNSTREAM ULPA FILTER	
06	Z8 17647	1	JUNCTION FOR CONVEYOR	[1]
07	Z58 17274	1	JUNCTION FOR FLAP INLET	
08	4084001012	1	KNOB M8 FOR FIL SHAKER	
09	4089100059	1	COVER KIT	
10	Z8 17026	1	460MM FILTER GASKET	
11	Z8 17126	1	FILTER SEAL D460 SILIC.	
12	4081700935	1	ABSOLUTE FILTER 415X100	
13	4089100209	1	D460X550 ANTISTATIC	
14	4089100207	1	D460X550 ANTISTATIC	
15	4089100114	1	CARTRIDGE KIT	
16	4089100121	1	AIR FITTING KIT	
17	Z8 17006	1	SEAL	
18	40000762	1	SEAL	
19	Z8 17021	1	BUMPER WHEEL HOLDER	
20	Z8 40874	1	DUST SAFE BAG SYSTEM	
21	Z7 21070	1	PLUG X INLET D70 FE	
22	Z7 21072	1	PLUG X INLET D70 INOX COMPLETE	[1]
23	Z7 22001	1	IRON REDUCER 70/50	
24	Z7 22225	1	STAINLESS REDUCER 70/50	
25	40000484	1	KIT CASTORS FOR	
26	Z58 391200	1	SENS.CAP.M30 I11D2G	
27	40000969	1	3000 VACUUM GAUGE KIT	[2]
28	4089100214	1	ELECTRIC INSTALL KIT	[3]
29	z8 39014	1	CIRCUIT BREAKER 11-16 A	[3]
30	z8 391120	1	RELAY PHASE SEQUENCE 180-	[4]
31	z8 391050	1	TRANSFORMER 20VA 400-230/	[4]
32	4089100221	1	KW11 24VAC REMOTE SWITCH KIT	[5]
33	4089100129	1	24VDC DPDT RELAY KIT	[3]
34	Z8 41039	1	SWITCH FOR CONVERSION KIT	[3]
35	4089100187	1	ELECTRIC INSTAL KIT	[6]
36	4083901540	1	CIRCUIT BREAKER 9-12.5 A SIR.IN.S00	[6]
37	z8 39281	1	CONTACTOR KW4 24VAC 1NO	[7]
38	Z8 391107	1	CYCLIC TIMER 24VAC 4OUT	[6]
39	4084101014	1	E.B. KIT CART. D3-560-780 24VAC IP65	[6]
40	Z8 39681	1	CIRCUIT BREAKER KLOCK.	[8]

Part Notes:

- [1] - CONTACT PM ZOCCA
- [2] - ONLY FOR Z21 / Z22 / Z2
- [3] - ONLY FOR Z21
- [4] - ONLY FOR Z21 / Z22
- [5] - ONLY FOR Z21
CONTACT PM IN ZOCCA-CHECK EC
- [6] - ONLY FOR Z22
- [7] - ONLY FOR Z22
CONTACT PM IN ZOCCA-CHECK EC
- [8] - ONLY FOR Z2

