

PARTS LIST

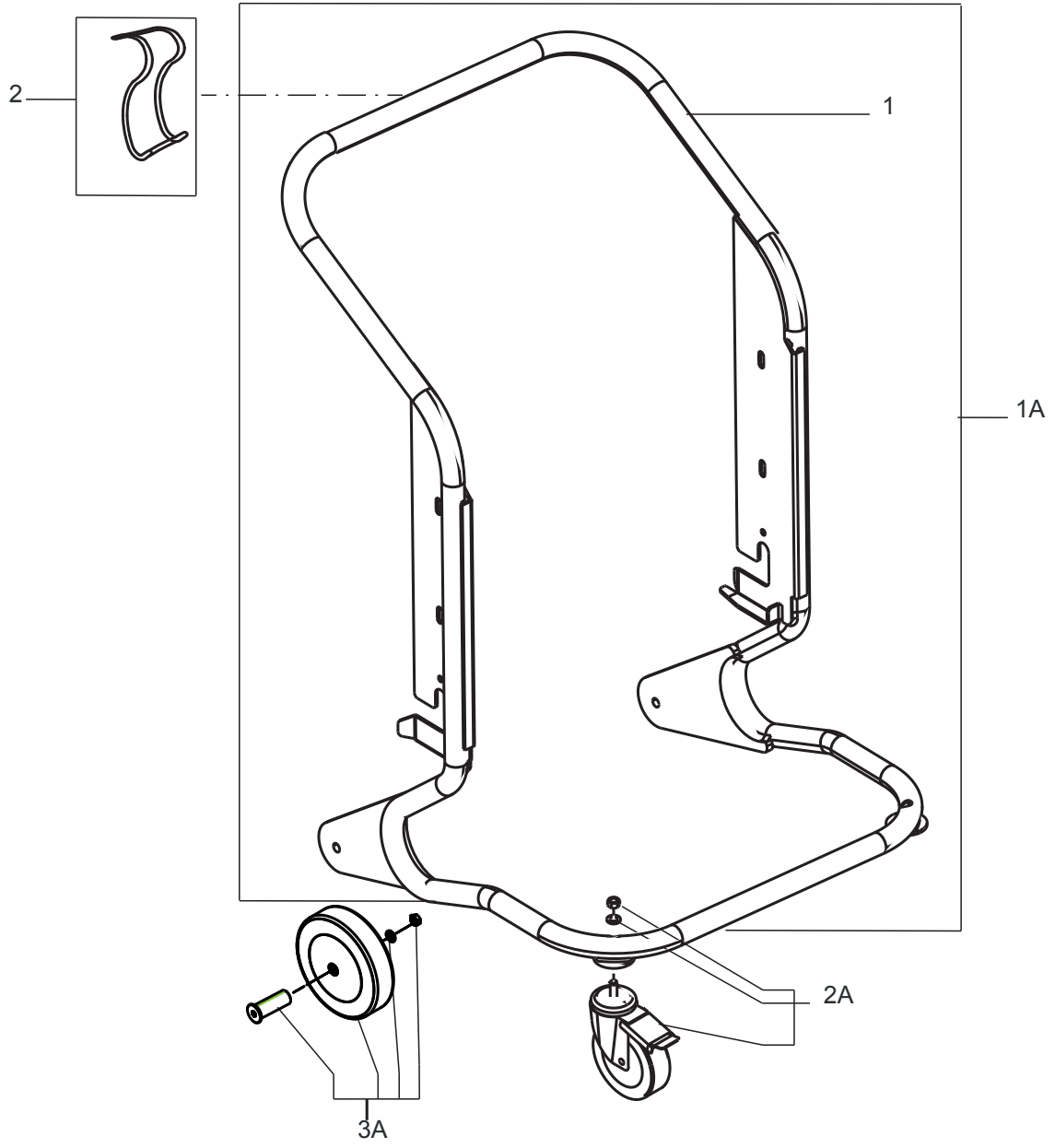
2018.02.05

www.nilfisk-cfm.com

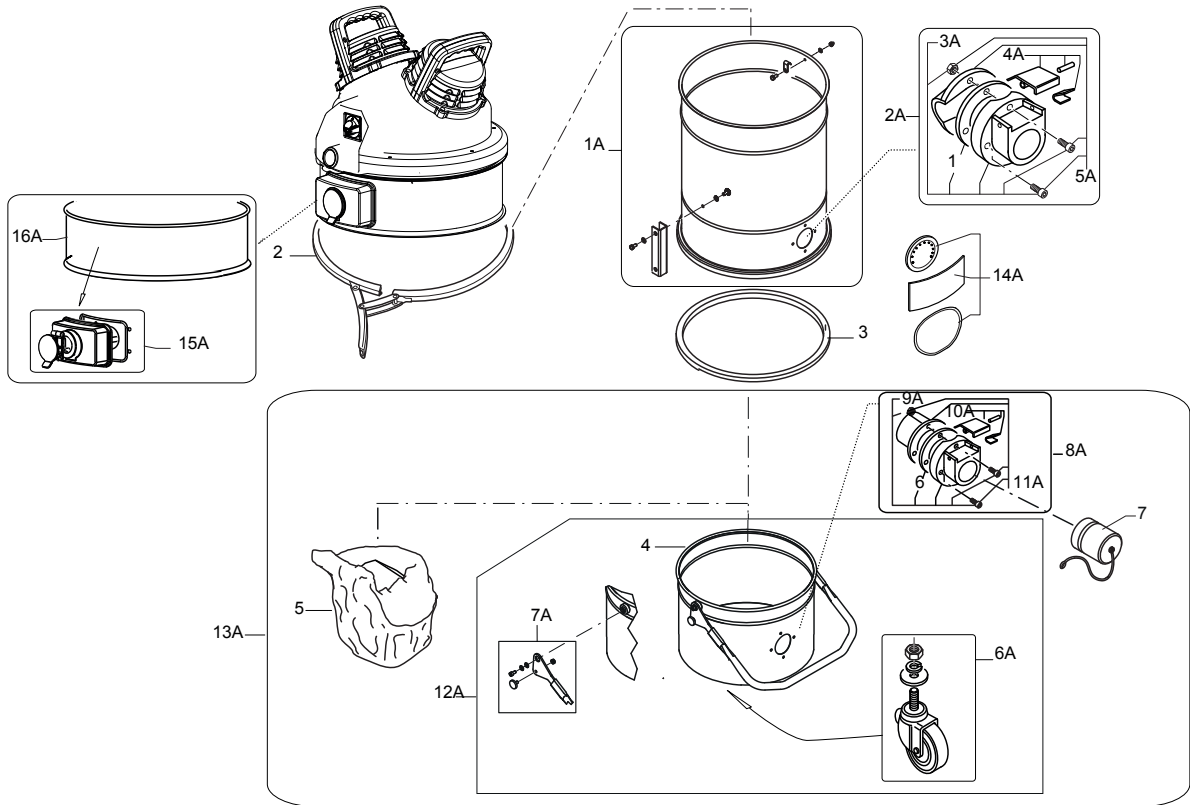


TABLE OF CONTENTS

Chassis_Car.....	1
Container.....	3
Filters.....	5
Suction unit.....	7
OPTIONALS.....	9



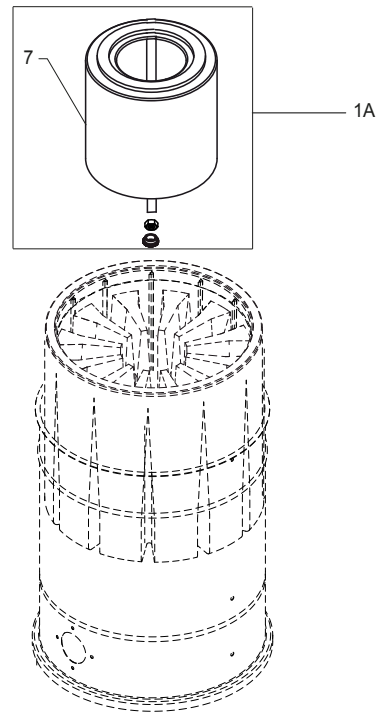
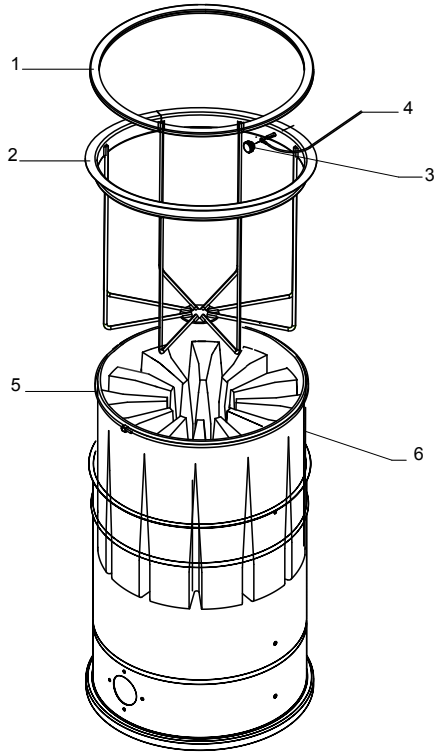
No.	Part No.	Qty.	Description	Part Note
1	4083600849	1	TROLLEY VHS110 RAL 7016	
1	4083600860	1	TROLLEY VHS110 RAL SS	
2	82219800	1	BRACKET FOR CORD RELEASE	
2	4081600745	1	BRACKET FOR CORD RELEASE SS	
1A	4089100784	1	KIT TROLLEY MOD.VHS	
2A	4089100785	2	KIT PIVOTTING WHEEL	
3A	4089100786	2	FIX WHEEL KIT MOD.VHS	



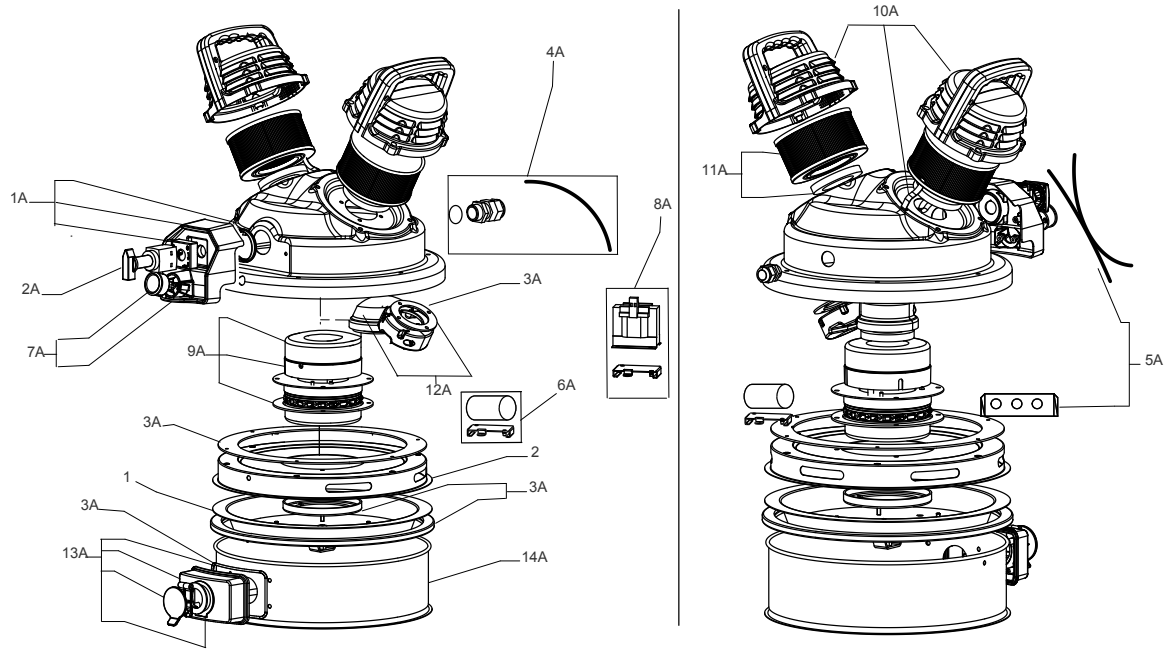
No.	Part No.	Qty.	Description	Part Note
1	Z8 17005	1	INLET SEAL D50	
1A	4089100787	1	FILTER CHAMBER KIT MOD.VHS	
1A	4089100794	1	FILTER CHAMBER KIT SS MOD.VHS	
2	4083600861	2	BAND LOCK D400 FE	
2	4083600862	2	BAND LOCK D400 NIPLOY	
2A	4089100813	1	D50 COMPLETE INLET KIT	
3	4081100183	1	JOINT RING GASKET D400	
3	4081701238	1	FILTER SILICONE SEAL D390 VHS110	
3A	4089100280	1	D50 INLET SS KIT	
3A	4089100928	1	KIT INLET D50 FOR ATEX COMPLETE	
4	4083000864	1	CONTAINER D400X315 VHS110 SS	
4A	40000320	1	KIT PUSHBUTTON FOR	
5	Z8 40874	1	DUST SAFE BAG SYSTEM	
5A	4089100814	1	DEFLECTOR KIT D50 MOD.VHS CR	
6	Z8 17005	1	INLET SEAL D50	
6A	4089100788	1	KIT WHEEL CONTAINER	
7	Z7 21071	1	PLUG X INLET D50 INOX COMPLETE	[1]
7A	4089100789	1	KIT HANDLE FOR CONTAINER MOD.VHS	
7A	4089100795	1	KIT HANDLE FOR CONTAINER SS MOD.VHS	
8A	4089100837	1	INLET COMPLETE D50 SS KIT	
9A	4089100928	1	KIT INLET D50 FOR ATEX COMPLETE	
9A	4089100280	1	D50 INLET SS KIT	
10A	40000320	1	KIT PUSHBUTTON FOR	
11A	4089100375	1	SS DEFLECTOR KIT	
12A	4083000872	1	CONTAINER COM.D400 VHS	
12A	4083000873	1	CONTAINER SS COM.D400 VHS	
13A	4056000783	1	KIT SBS VHS110 ANTISTATIC	
13A	4056000785	1	KIT SBS VHS110 SS	
14A	4089100790	1	LABELS KIT MOD.VHS	
15A	4089100791	1	KIT CLAPET MOD.VHS	
16A	4089100792	1	FILTER CHAMBER KIT FOR CLAPET MOD.VHS	
16A	4089100796	1	KIT MOTOR MOD.VHS110 V120	

Part Notes:

[1] - CONTACT PM IN ZOCCA



No.	Part No.	Qty.	Description	Part Note
1	Z8 17025	1	360MM FILTER GASKET	
1	Z8 17125	1	FILTER SEAL D360 SILIC.	
1A	4089100665	1	KIT UPSTREAM ABSOLUT	
2	4083300426	1	FILTER HOLDER CAGE D400 8 ELEMENTS FE	
2	4083300427	1	FILTER HOLDER CAGE D400 8 ELEMENTS SS	
3	Z8 40191	1	KNOB D40 M6 THROUGH	
4	Z8 39668	1	CABLE EARTH MM 500	
4	Z8 39669	1	CABLE EARTH MM 700	
5	4084001291	1	FILTER BLOCK TIE D400	
6	4081701208	1	STAR FILTER D400	
7	Z8 17262	1	K1 ABSOLUTE FILTER	



No.	Part No.	Qty.	Description	Part Note
1	4081600976	1	MOTOR SUPPORT VHS110	
1A	4089100797	1	KIT COVER MAIN SWITCH MOD.VHS	
2	4081600978	1	BRUSHLESS MOTOR HOLDER D400	
2A	4089100798	1	KIT MAIN SWITCH MOD.VHS	
3A	4089100819	1	KIT JOINT HEAD MOD.VHS110	
4A	4089100820	1	KIT CABLE POWER MOD VHS110 V230	
5A	4089100808	1	KIT CABLE MOTOR MOD.VHS V110	
6A	4089100799	1	KIT FILTER INTERFERENCE	
7A	4089100821	1	KIT VACUUM GAUGE	
8A	4089100806	1	KIT REACTOR MOD.VHS110	
9A	4089100800	1	KIT MOTOR MOD.VHS V230	
10A	4089100822	1	KIT HOUSING FILTER ABSOLUTE MOD.VHS110	
11A	4089100823	1	KIT FILTER.SUCTION HEAD	
12A	4089100824	1	KIT CONVEYER AIR HEAD MOD.VHS110	
13A	4089100791	1	KIT CLAPET MOD.VHS	
14A	4089100792	1	FILTER CHAMBER KIT FOR CLAPET MOD.VHS	
NS	4089100807	1	KIT MOTOR MOD.VHS V110	

No.	Part No.	Qty.	Description	Part Note
1	4081701218	1	STAR FILTER D400 ANTISTATIC M-CLASS	
2	4081701219	1	STAR FILTER D400 NOMEK	
3	4089100899	1	KIT SCREW FOR FILTER CHAMBER VHS110	
4	4089100995	1	KIT FIX ANTISTATIC ANTITRACE CASTOR D150	
5	4089100996	1	KIT ANTIST.ANTI TRACE REVOLV.CASTOR D150	

