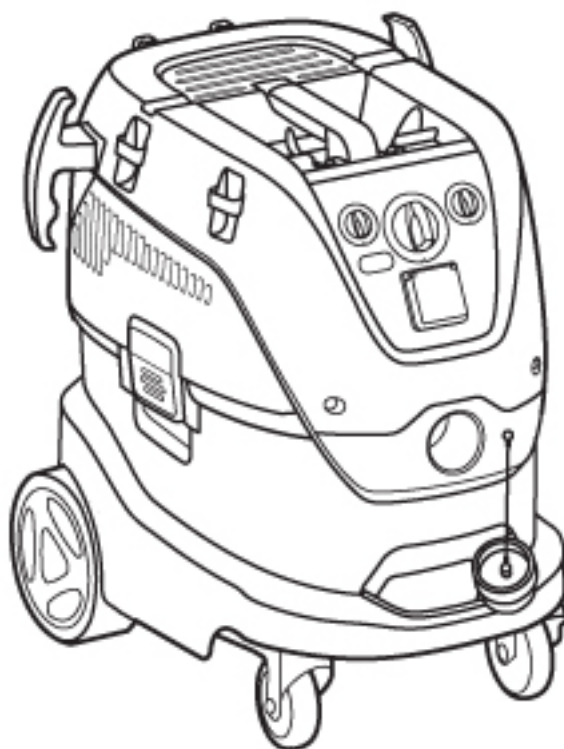
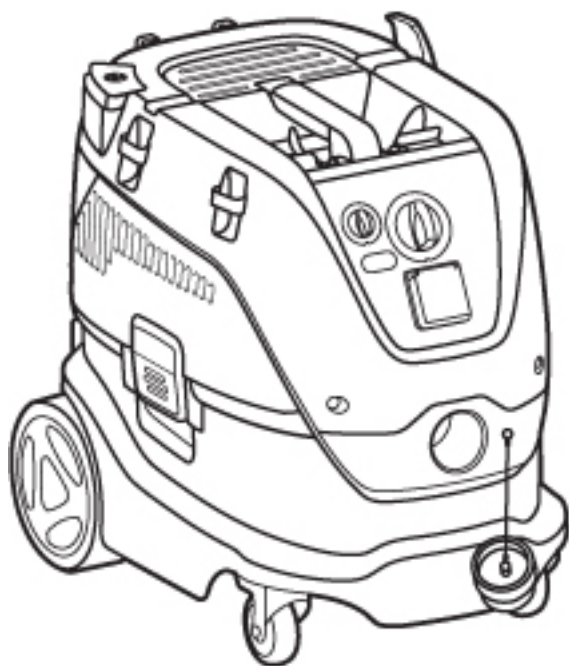


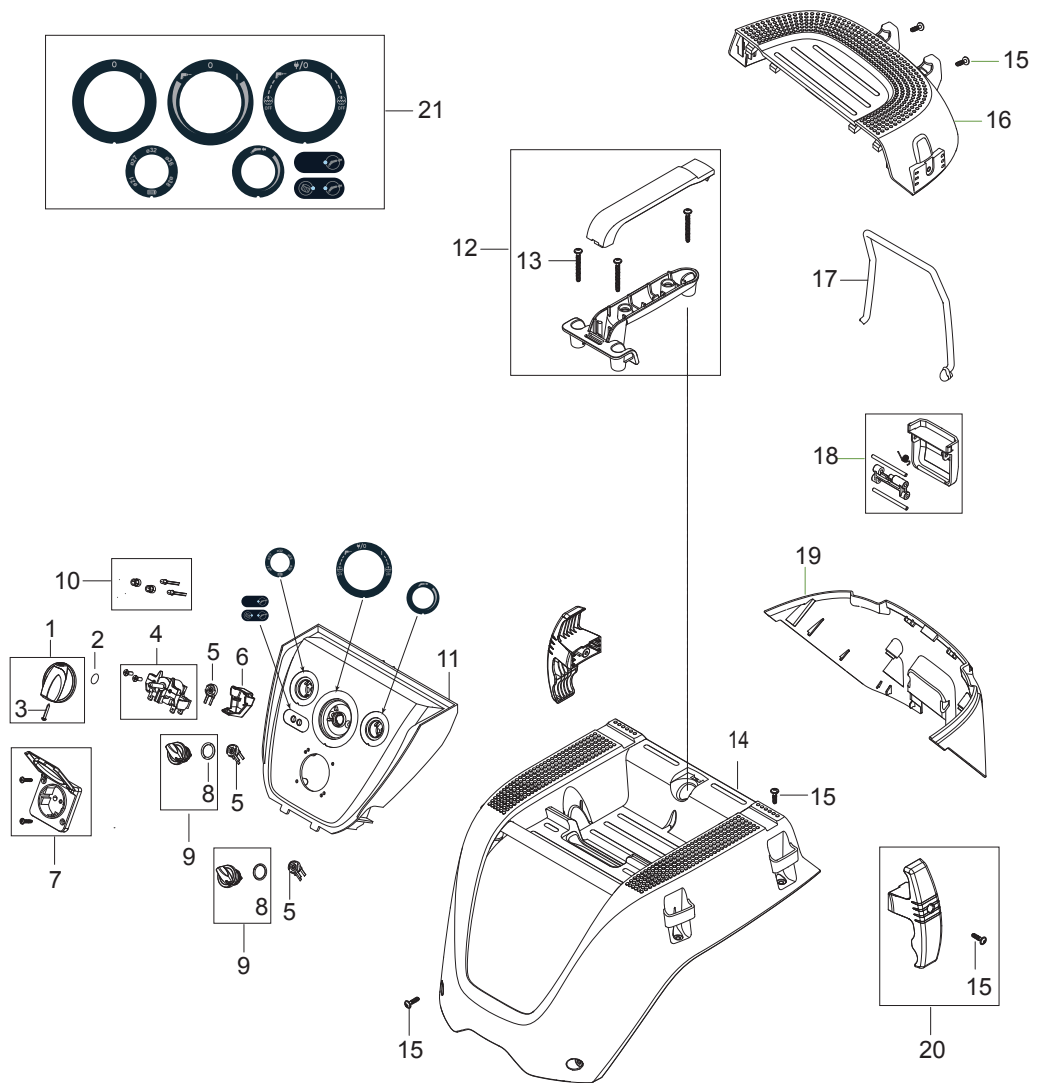
PARTS LIST



2018.05.10

TABLE OF CONTENTS

Cabinet and control panel VHS 42 IC H-M	1
Cabinet and control panel VHS 42 PC H-M	3
Filter system IC	5
Filter system PC	7
Suction unit H-M	9
Base_M_L	11
Container 30L	13
Container 42L	15
Accessories 1	17
Filter and bags	19
Hoses, tubes and nozzles	21
Airbox	23

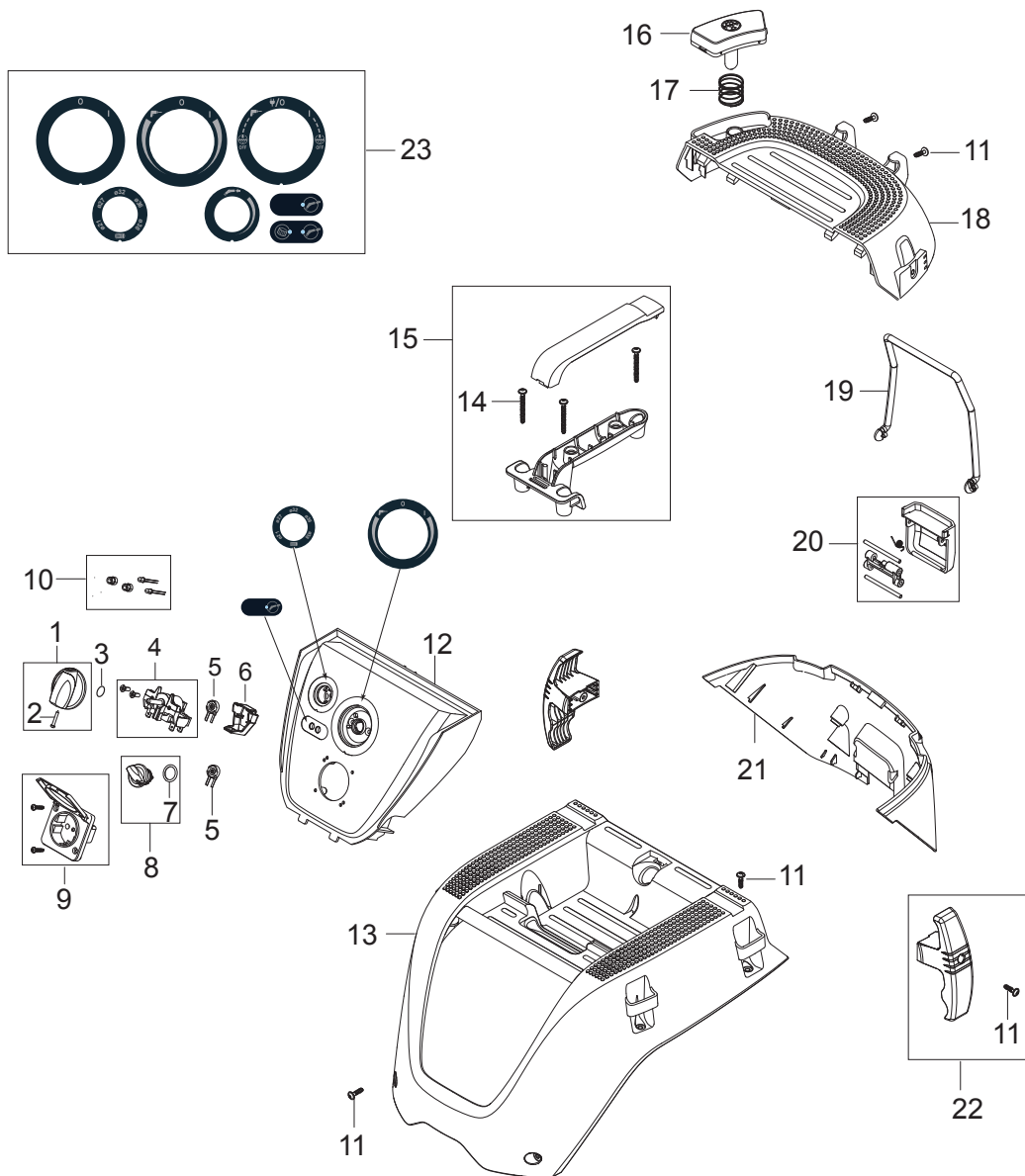


No.	Part No.	Qty.	Description	Part Note
1	909100239	1	TURNING KNOB GR.1 D6X5 VORTEX LIGHT GREY	
2	32526	1	TREAD-CUTTING SCREW	
3	9868	1	O-RING 10.2X2.5 NBR 70	
4	107415085	1	ROTARY SWITCH 5 POS 16A	
5	107415024	3	POTENTIOMETER W. WIRE	
6	107415080	1	CAP FOR POT-METER	
7	302004034	1	SOCKET 16A/250V EU	
7	302001185	1	10A SOCK(FIT to MACHINE!)	
8	3004221	2	O-RING 16X2 NITRIL 70 SHO	
9	107415062	2	TURNING KNOB D28 BLACK	
10	107415087	1	LED INDICATOR KIT 2 PCS.	
11	107417561	1	CONTROL PANEL 21 IC M-H RAL 7001	
12	107415038	1	HANDLE KIT BLACK	
13	128500203	3	SCREW K50X45 WN1451 SP	
14	107417557	1	TOP COVER RAL 7016 W. PRINT VHS 42	
15	302004029	17	SCREW 5X18	
16	107417554	1	HATCHBACK UPPER COVER IC RAL 7016	
17	107415035	1	CORD STRAP KIT	
18	107418122	1	HATCH DOOR CLAMP 2X	[1]
18	107415032	1	HATCH DOOR CLAMP KIT	[2]
19	107417555	1	HATCHBACK LOWER COVER RAL 7016	
20	107415083	2	HOSE/CABLE HOOK BLACK 1	
21	107415077	1	LABEL KIT FOR CONTROL PANEL 8 PCS.	

Part Notes:

- [1] - STOCK COVERS GUARANTEE
For machines produced before November 18th 2016. Serial number 3510164605816
- [2] - For machines produced from November 18th 2016. Serial number 3510164605816

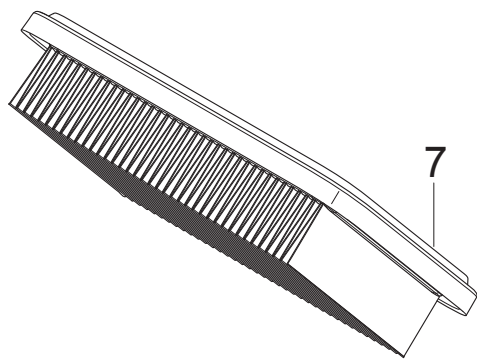
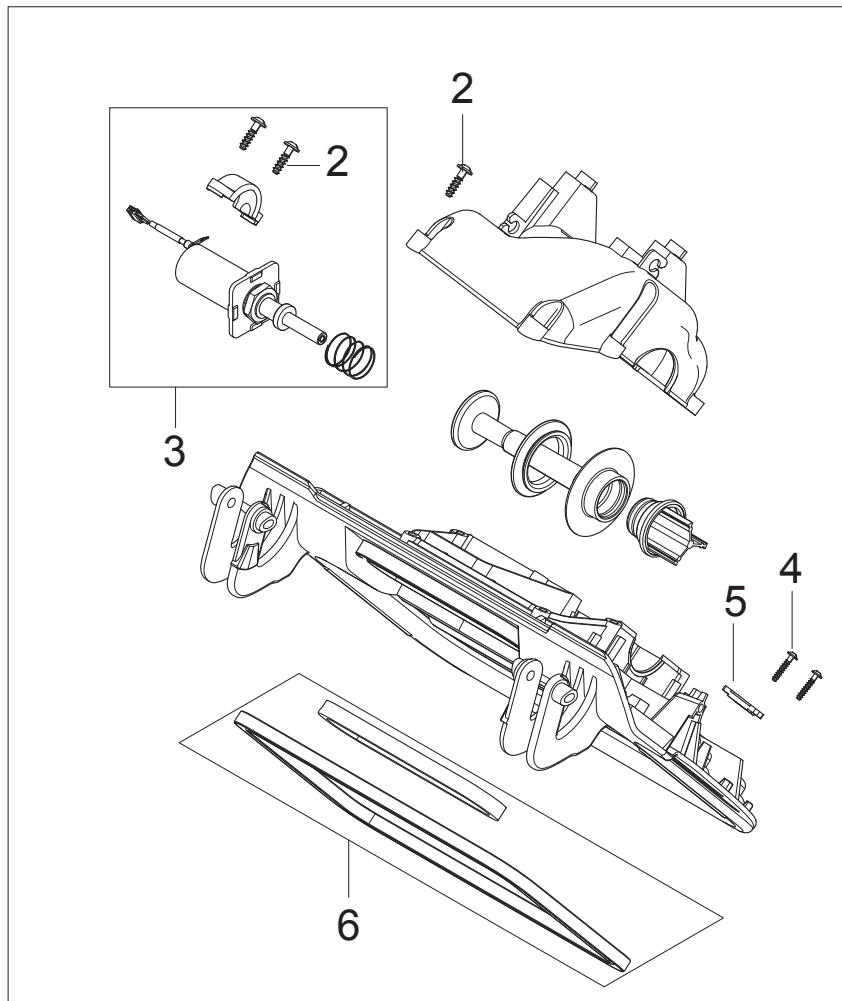
2M-PC



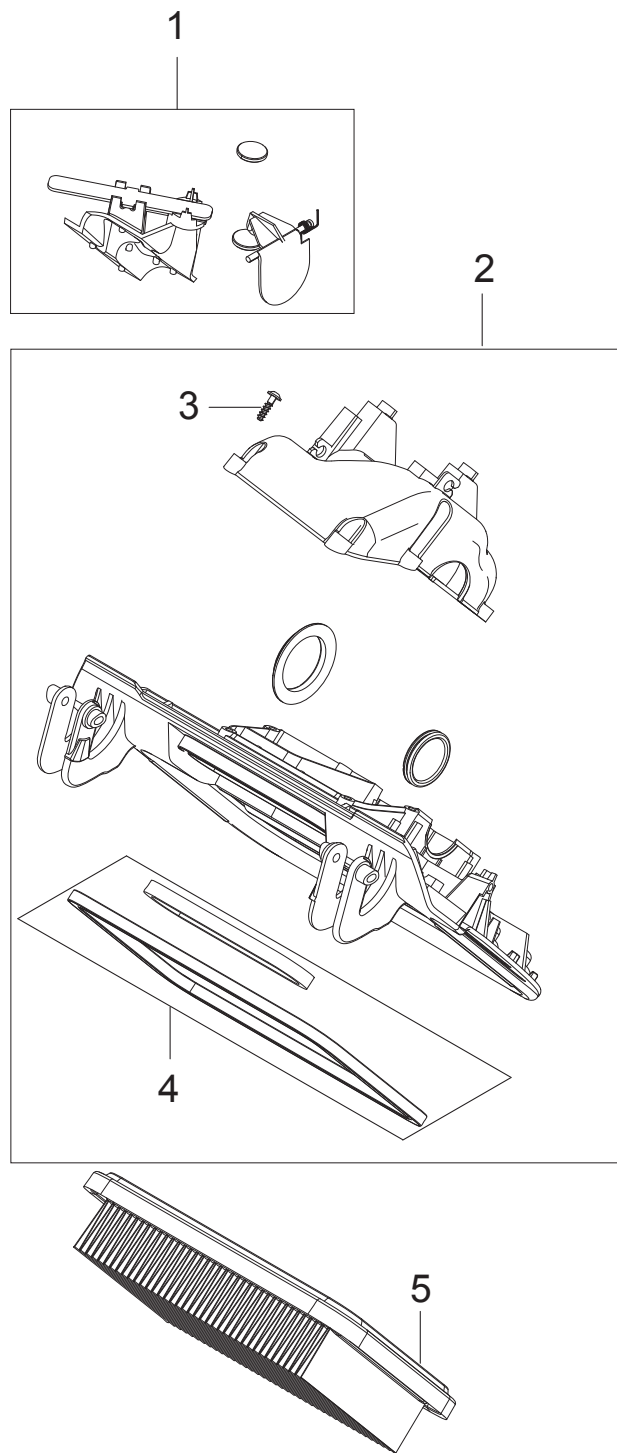
No.	Part No.	Qty.	Description	Part Note
1	909100239	1	TURNING KNOB GR.1 D6X5 VORTEX LIGHT GREY	
2	32526	1	TREAD-CUTTING SCREW	
3	9868	1	O-RING 10.2X2.5 NBR 70	
4	107415076	1	ROTARY SWITCH 3 POS 16A	
5	107415024	2	POTENTIOMETER W. WIRE	
6	107415080	1	CAP FOR POT-METER	
7	3004221	1	O-RING 16X2 NITRIL 70 SHO	
8	107415062	1	TURNING KNOB D28 BLACK	
9	302004034	1	SOCKET 16A/250V EU	
9	302001185	1	10A SOCK(FIT to MACHINE!)	
10	107415087	1	LED INDICATOR KIT 2 PCS.	
11	302004029	17	SCREW 5X18	
12	107417556	1	CONTROL PANEL 21 PC M-H RAL 7001	
13	107417557	1	TOP COVER RAL 7016 W. PRINT VHS 42	
14	128500203	3	SCREW K50X45 WN1451 SP	
15	107415038	1	HANDLE KIT BLACK	
16	107417558	1	PC-BUTTON RAL 7001	
17	107411345	1	SPRING FOR BUTTON	
18	107417549	1	HATCHBACK UPPER COVER PC RAL 7016	
19	107415035	1	CORD STRAP KIT	
20	107415032	1	HATCH DOOR CLAMP KIT	[1]
20	107418122	1	HATCH DOOR CLAMP 2X	[2]
21	107417555	1	HATCHBACK LOWER COVER RAL 7016	
22	107415083	1	HOSE/CABLE HOOK BLACK 1	
23	107415077	1	LABEL KIT FOR CONTROL PANEL 8 PCS.	

Part Notes:

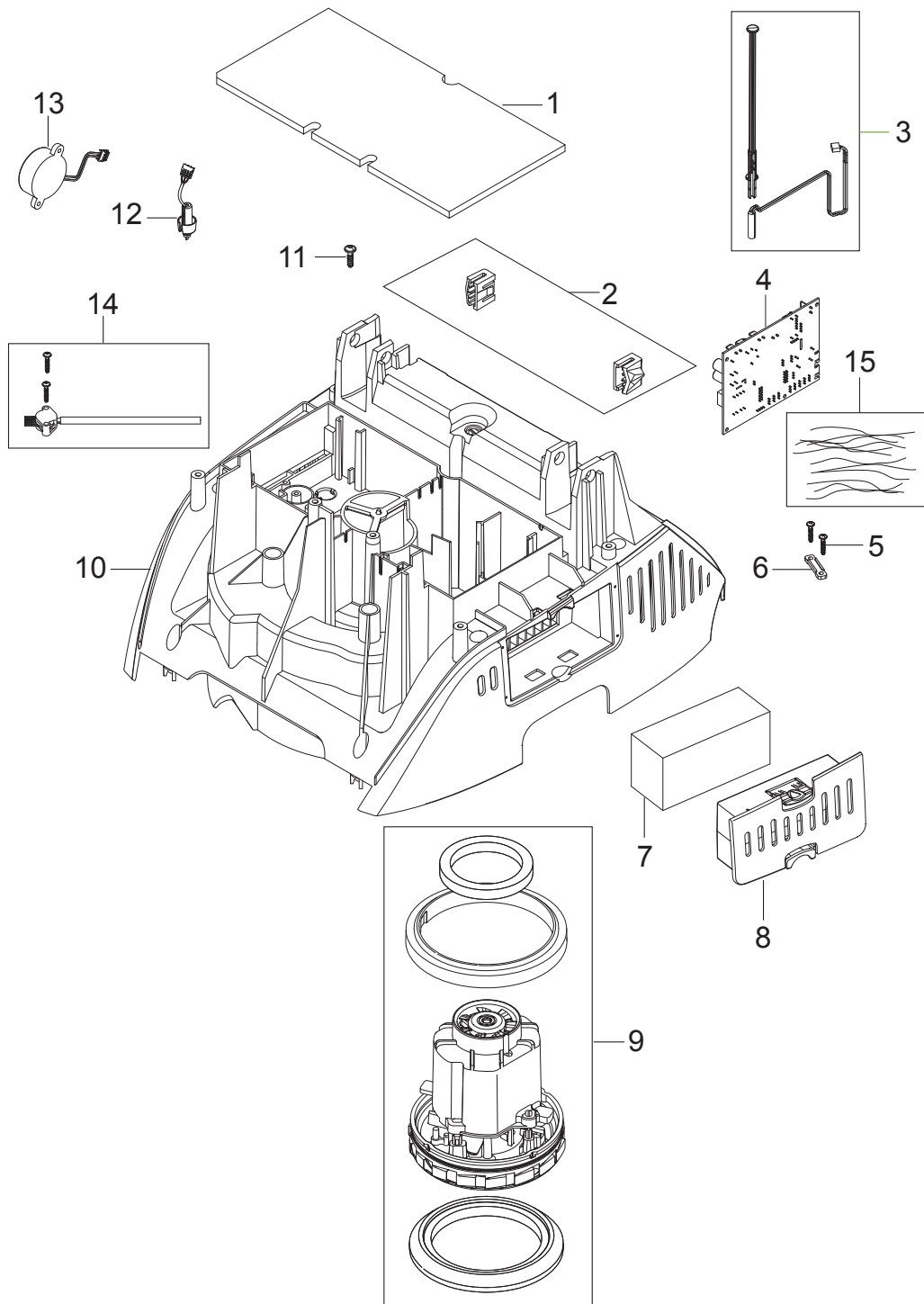
- [1] - For machines produced from November 18th 2016. Serial number 3510164605816
- [2] - STOCK COVERS GUARANTEE
For machines produced before November 18th 2016. Serial number 3510164605816



No.	Part No.	Qty.	Description	Part Note
1	107415027	1	HATCH DOOR FRAME WITH SEALING IC	
1	107417859	1	CONJUNTO FALDON IZQUIERDO	
2	302004029	15	SCREW 5X18	
3	107415031	1	SOLENOID KIT 220-240V	
3	107415079	1	SOLENOID KIT 100-120V	
4	302004032	2	SCREW 3.5X18	
5	5697	1	STRAP 3X8X33	
6	107415090	1	HATCH DOOR FILTER	
7	107413540	1	FLAT FILTER PTFE 1 PC M	



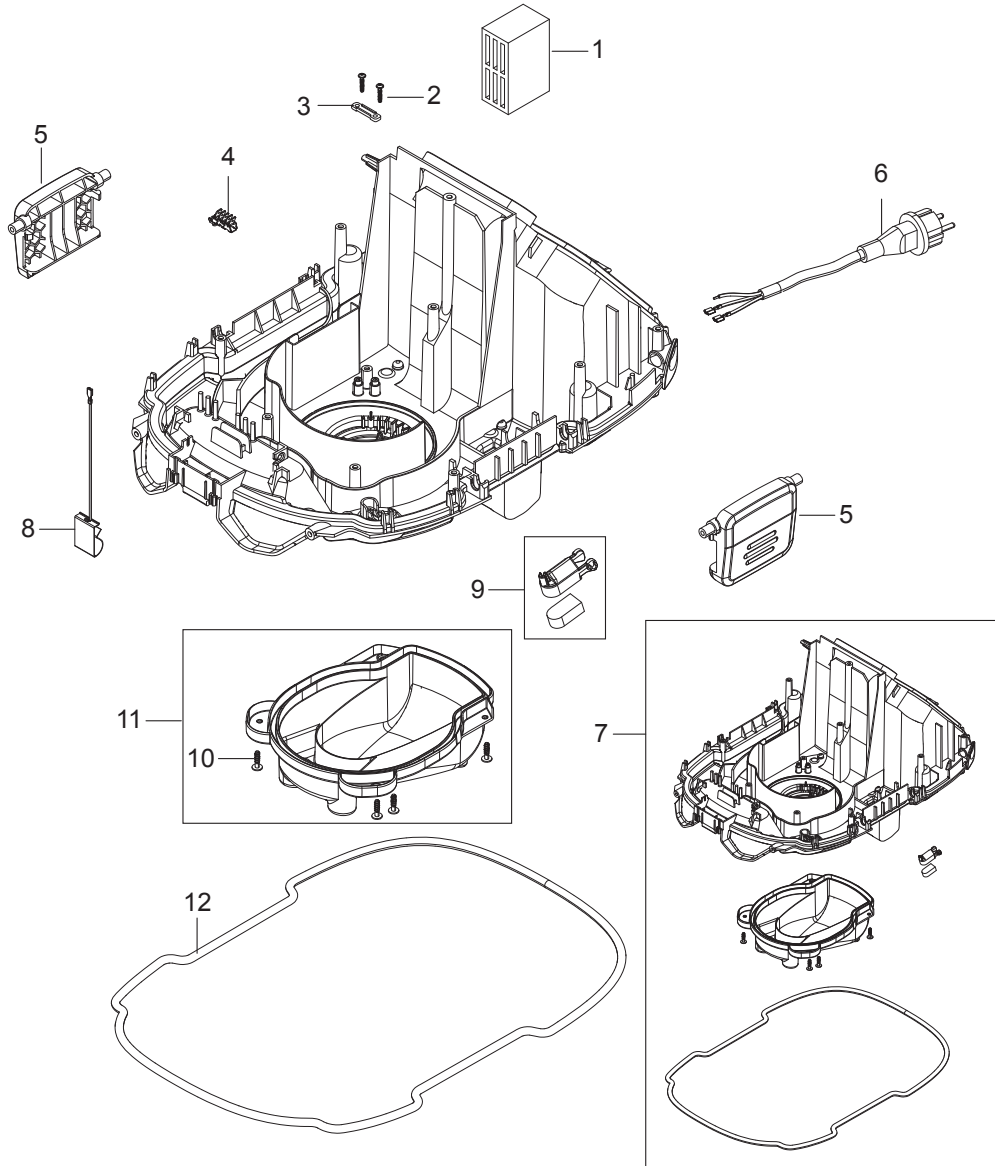
No.	Part No.	Qty.	Description	Part Note
1	107415064	1	PC FLAP-LEVER KIT	
2	107415026	1	HATCH DOOR FRAME WITH SEALING PC	
3	302004029	7	SCREW 5X18	
4	107415090	1	HATCH DOOR FILTER	
5	107413540	1	FLAT FILTER PTFE 1 PC M	



No.	Part No.	Qty.	Description	Part Note
1	107417101	1	FOAM SEALING 298X148	
2	107415075	1	HATCH DOOR HINGE SNAP 2 PCS.	
3	107415060	1	REED SENSOR WITH	
4	107415059	1	PCBA AUTO ON/OFF M 1M1S	[1]
4	107417103	1	PCBA AUTO ON/OFF AFC M	[2]
4	107417105	1	PCBA AUTO ON/OFF H 1M1S	[3]
4	107417106	1	PCBA AUTO ON/OFF AFC H	[4]
5	302004032	2	SCREW 3.5X18	
6	302004030	1	STRAP FOR CABLE	
7	107415096	1	DIFFUSOR 55X115X45 BLACK	
8	107417564	1	COVER F. MOTORCOOLING FILTER RAL 7016	
9	107415055	1	MOTOR KIT 1200W	
10	107417855	1	AIRGUIDE M/H RAL 7016	
11	302004029	9	SCREW 5X18	
12	107416952	1	FLOW SENSOR W. WIRE KIT	
13	107416958	1	BUZZER KIT1	
14	107417111	1	PRESSURE SENSOR FILTER	
15	107417863	1	WIRE/CAPACITOR KIT6	

Part Notes:

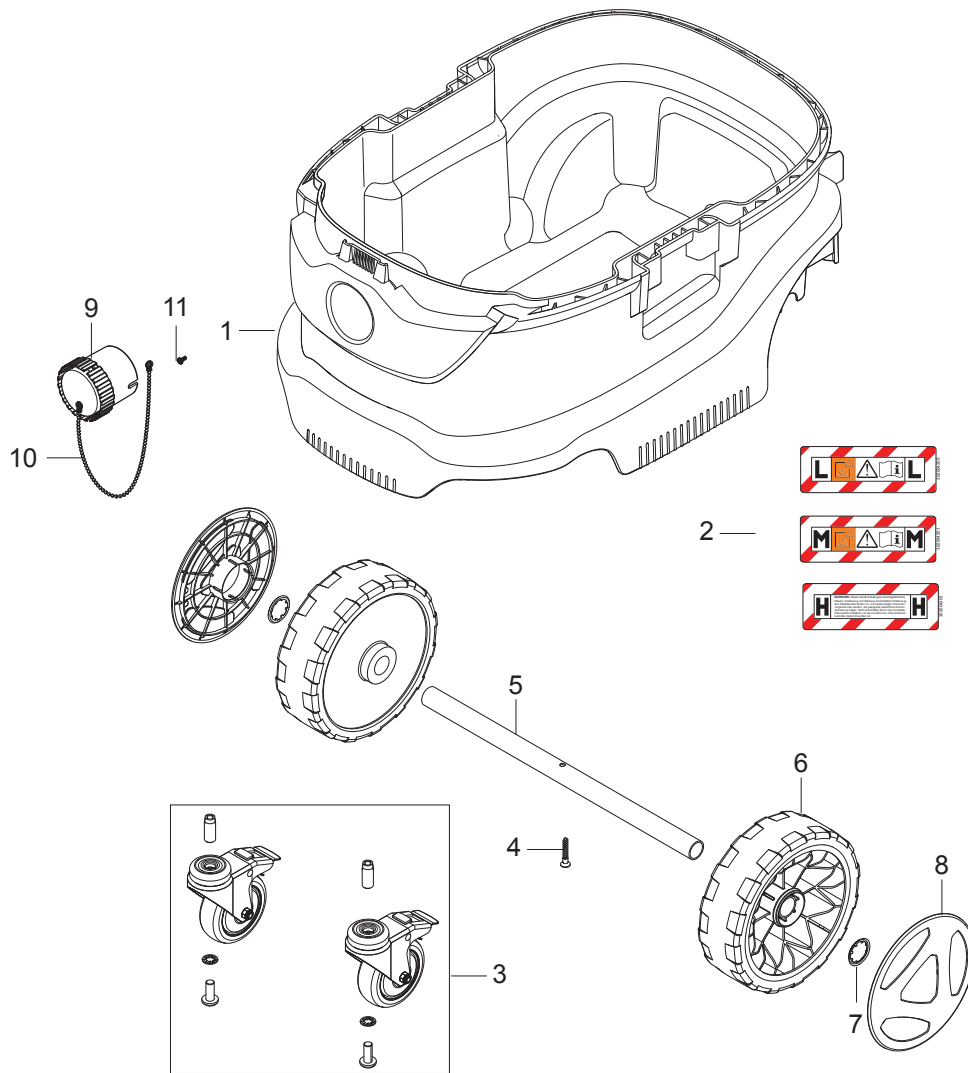
- [1] - 2M PC 220-240V 50/60HZ
- [2] - 2M IC 220-240V/50-60HZ
- [3] - 2H PC 220-240V 50/60HZ
- [4] - 2H IC 220-240V 50/60HZ



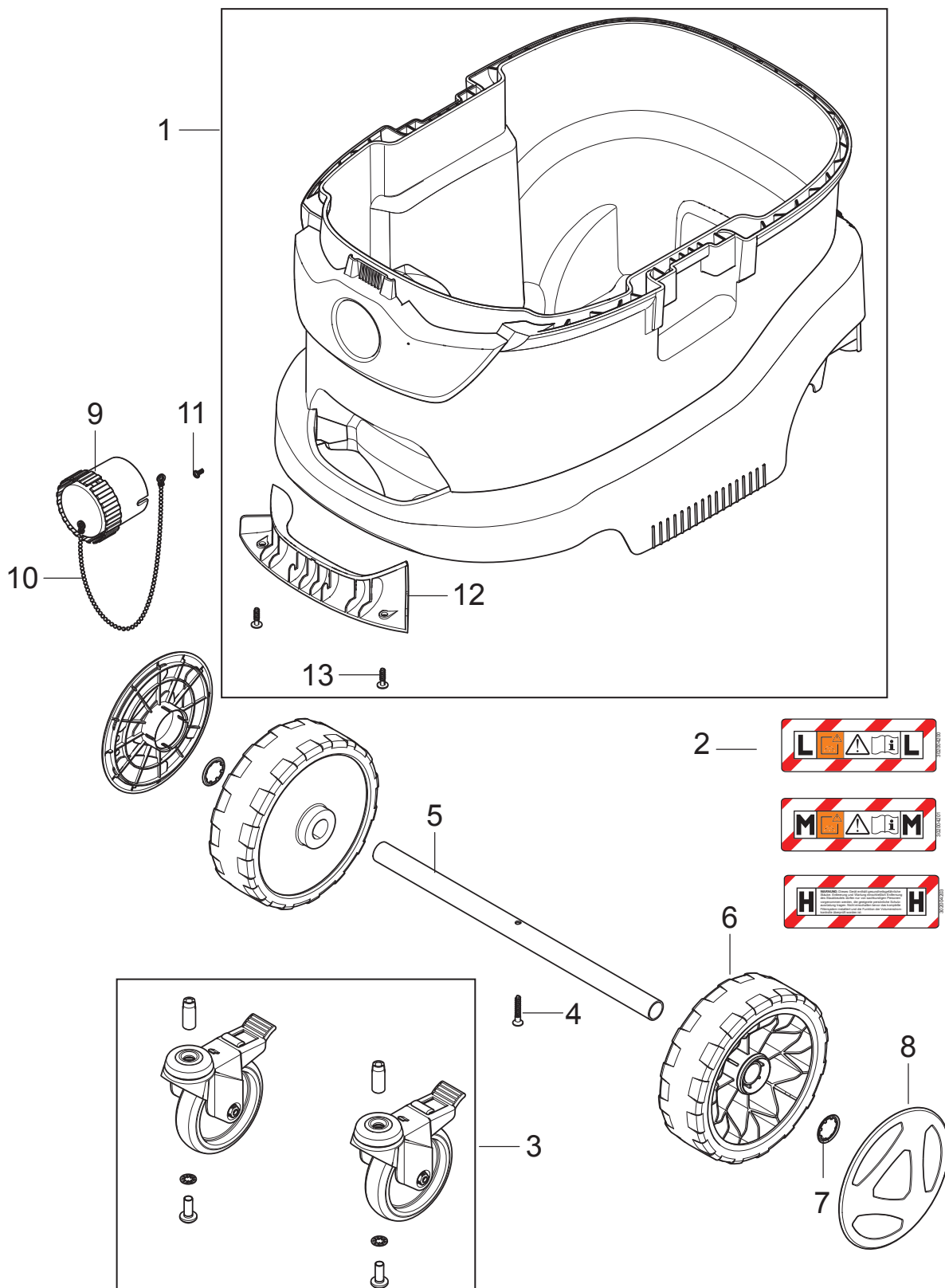
No.	Part No.	Qty.	Description	Part Note
1	107417112	1	SOUND ABSORBER 83X55X35	
2	302004032	2	SCREW 3.5X18	
3	302004030	1	STRAP FOR CABLE	
4	302004031	1	DISTRIBUTION STRIP 6-POL 16A	
5	107415053	2	CONTAINER CLAMP BLACK	
6	107400573	1	CORD H07RN-F 3G1.5 CEE EU	[1]
6	302004333	1	POWER CORD AU	[2]
7	107415074	1	BASE PLATE ASSEMBLY KIT	
8	107417113	1	CONTACT SPRING W. WIRE	
9	107415063	1	FLOATER WITH MAGNET	
10	1814614	4	SCREW	
11	107415061	1	AIR FLOW COVER KIT BLACK	
12	107415050	1	CONTAINER SEALING	

Part Notes:

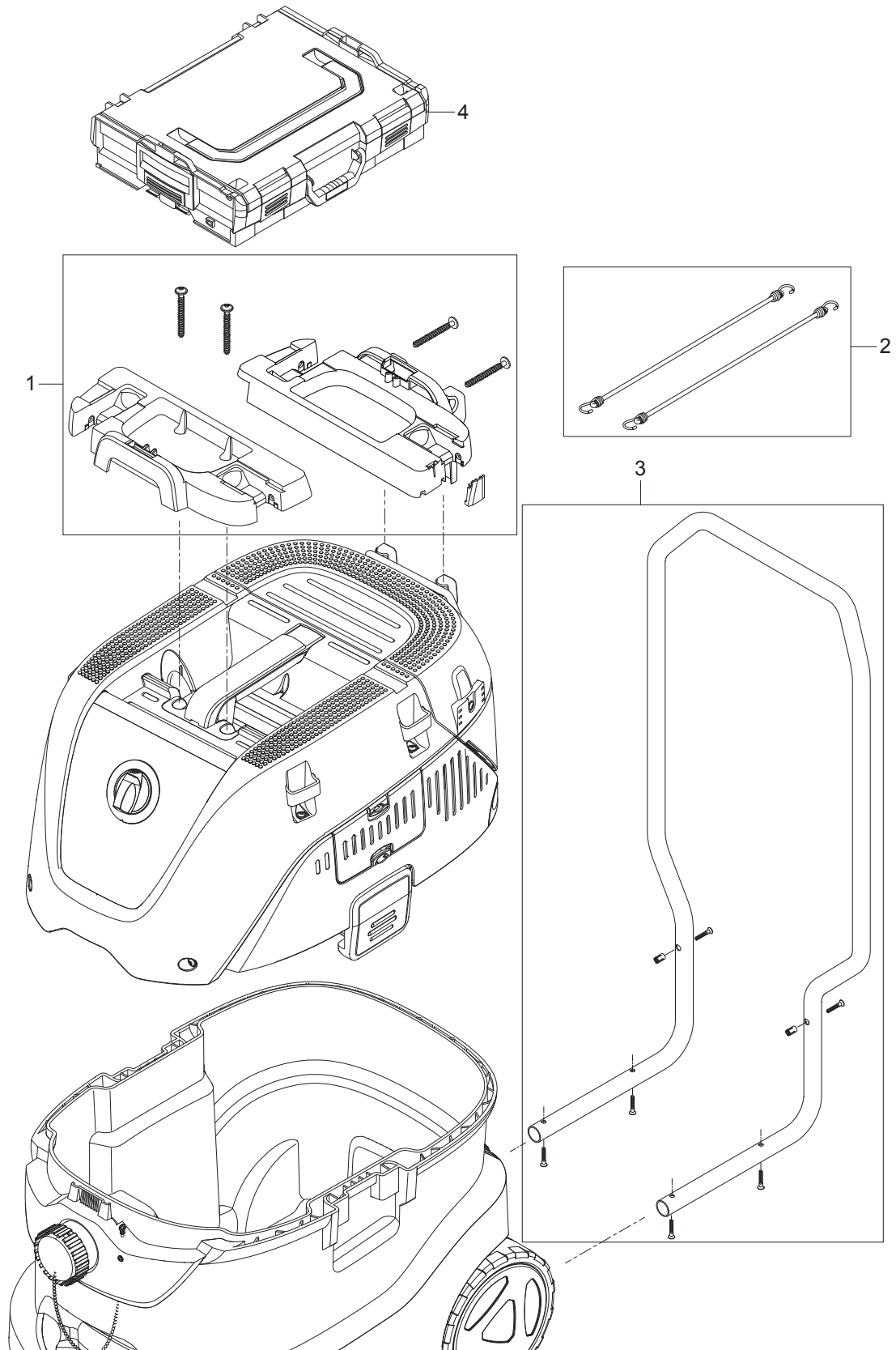
- [1] - 220-240V 50/60HZ EU
[2] - 220-240V 50/60HZ AU/NZ



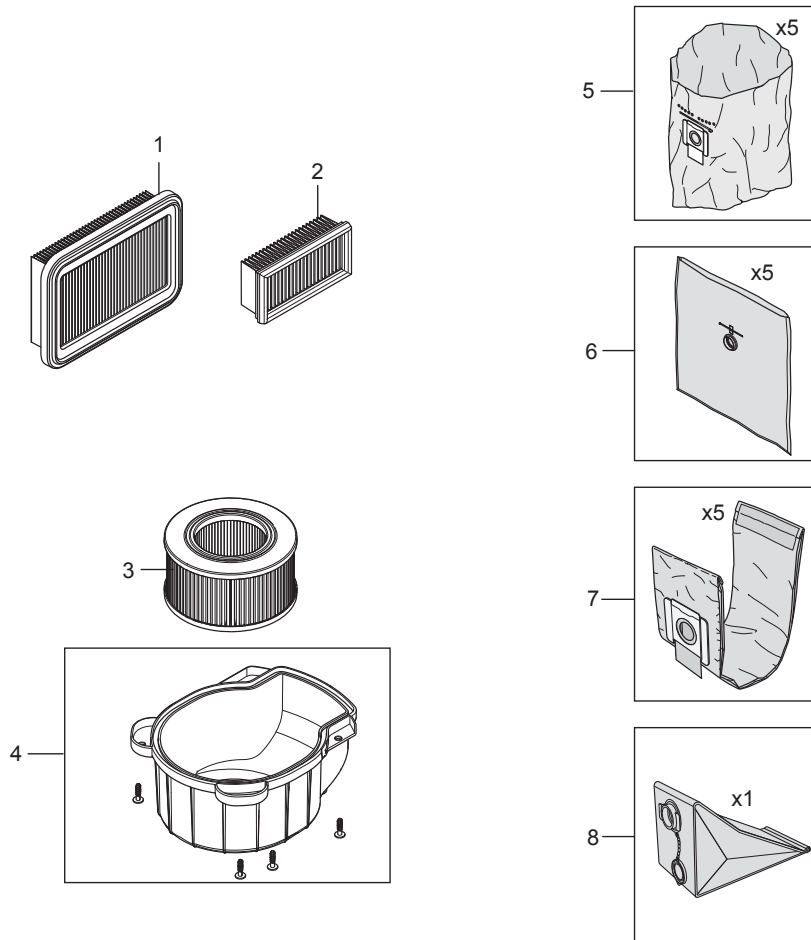
No.	Part No.	Qty.	Description	Part Note
1	107417568	1	CONTAINER 30L RAL 7001	
1	107417569	1	CONTAINER 30L SAFETY H	
2	107417119	1	LABEL DUSTCLASS L 130X44 PVC	
2	107401291	1	LABEL DUSTCLASS M 130X44 PVC	
2	107401548	1	LABEL DUSTCLASS H	
3	107417120	1	CASTOR WHEEL D75 WITH	
4	107417864	1	SCREW WN1423 K50X35	
5	302004022	1	WHEEL AXLE	
6	107417121	2	WHEEL D175 BLACK	
7	47302	2	CLAMP RING	
8	107417570	2	WHEEL CAP D145 RAL 7001	
9	14775	1	PLUG	
10	30081	1	BEAD CHAIN 150MM WITH	
11	24738	1	SCREW KA35X 8 WN1411	



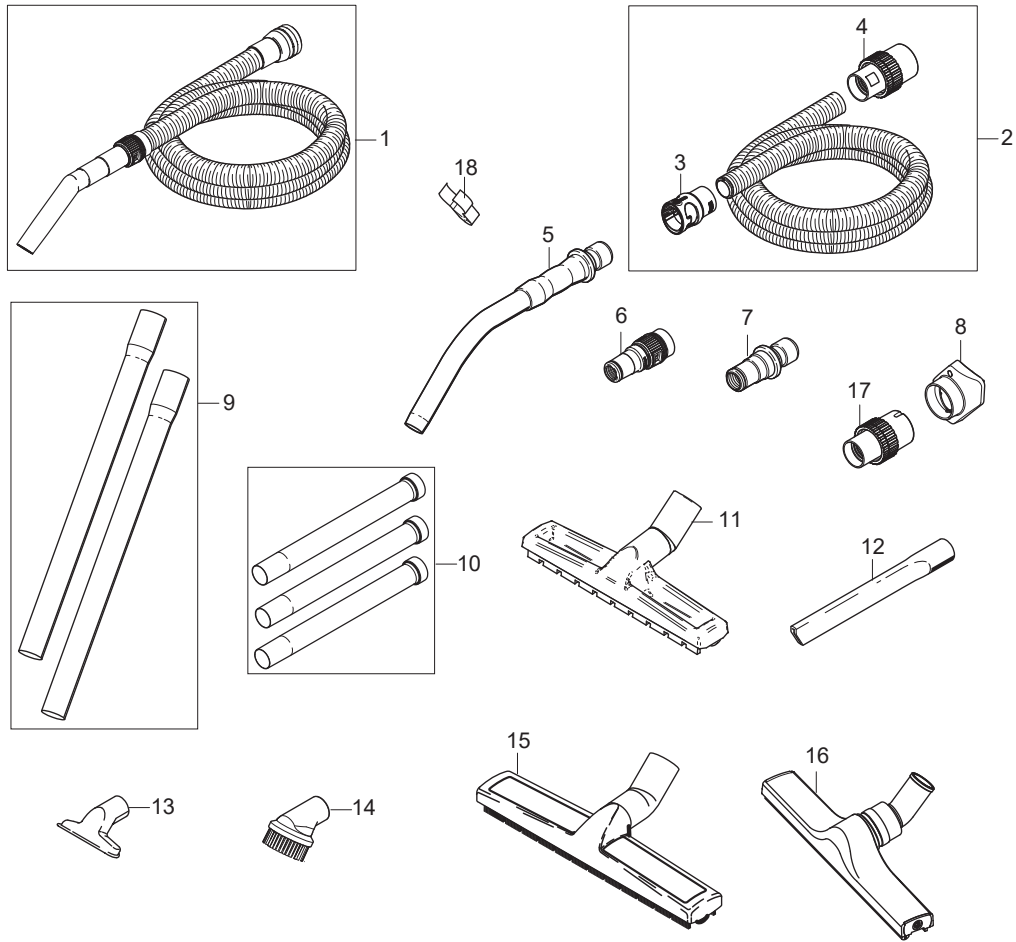
No.	Part No.	Qty.	Description	Part Note
1	107417571	1	CONTAINER 42L KIT RAL	
1	107417572	1	CONTAINER 42L KIT	
2	107417119	1	LABEL DUSTCLASS L 130X44 PVC	
2	107401291	1	LABEL DUSTCLASS M 130X44 PVC	
2	107401548	1	LABEL DUSTCLASS H	
3	107417573	1	CASTOR WHEEL D100 WITH	
4	107417864	1	SCREW WN1423 K50X35	
5	302004022	1	WHEEL AXLE	
6	107417121	2	WHEEL D175 BLACK	
7	47302	2	CLAMP RING	
8	107417570	2	WHEEL CAP D145 RAL 7001	
9	14775	1	PLUG	
10	30081	1	BEAD CHAIN 150MM WITH	
11	24738	1	SCREW KA35X 8 WN1411	
12	107417124	1	HANDLE INNER FOR CONTAINER 42L BLACK	
13	302004029	2	SCREW 5X18	



No.	Part No.	Qty.	Description	Part Note
1	107413551	1	ADAPTER PLATE KIT	
2	107413553	1	FLEXIBLE STRAP SET 2 PCS	
3	107413552	1	TROLLEY HANDLE KIT	
4	107413554	1	STORAGE L-BOXX KIT W.	



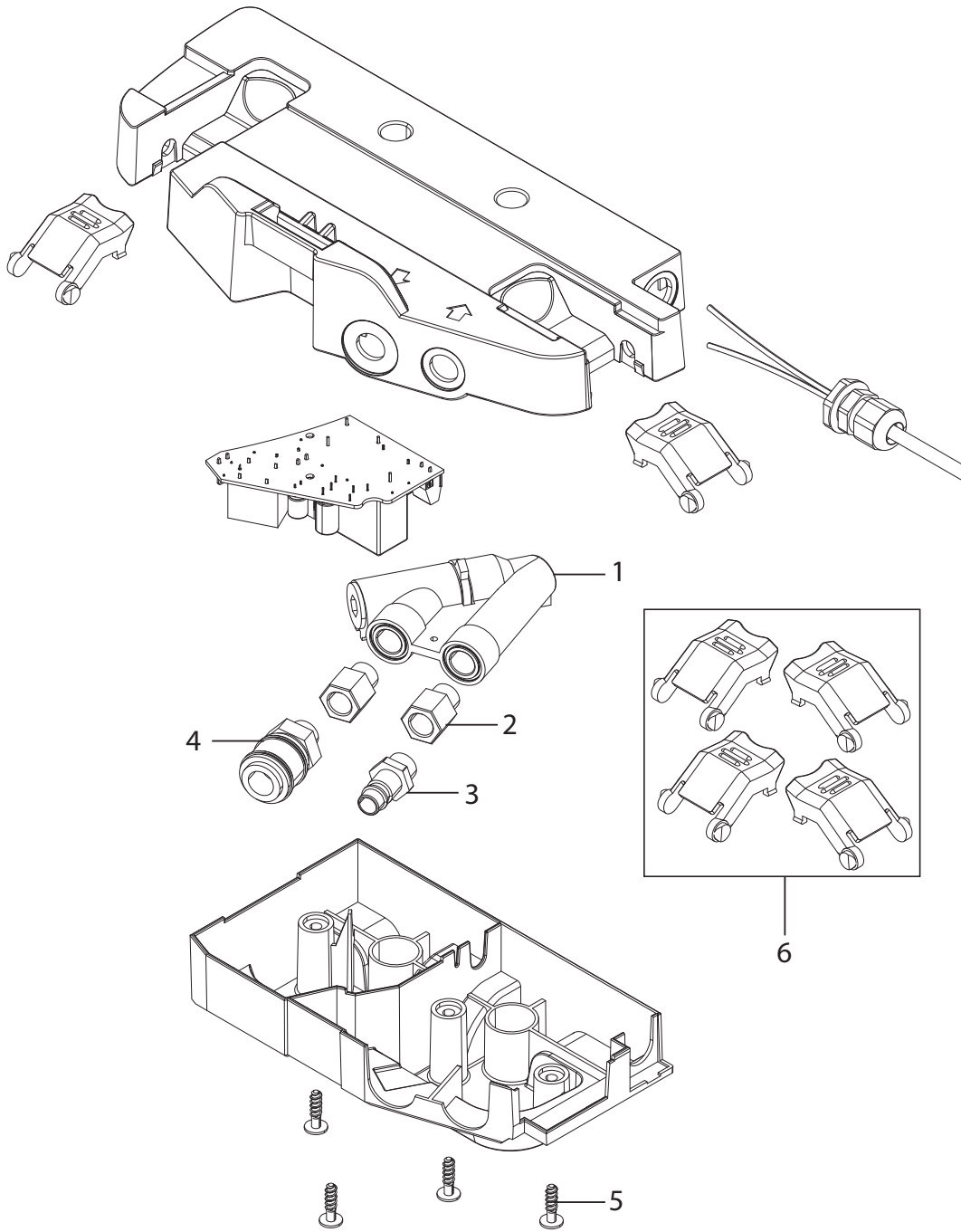
No.	Part No.	Qty.	Description	Part Note
1	107413540	1	FLAT FILTER PTFE 1 PC M	
2	107413541	1	MOTOR COOLING AIR	
3	107413555	1	FILTER ELEMENT Ø140X75	
4	107413542	1	HEPA FILTER COVER KIT	
5	107417821	1	DISPOSAL BAG 5PC	
6	107413549	1	SAFETY FILTER BAG 5 PCS	
7	107413547	1	FLEECE FILTER BAG 5 PCS	
8	107413556	1	LONG LIFE FILTER BAG 1	



No.	Part No.	Qty.	Description	Part Note
1	107409976	1	UNIV HOSE WITH TUBE 3.5M	[1]
2	107413543	1	HOSE Ø32X4000MM AS RED	
2	107413544	1	HOSE Ø36X4000 MM AS RED	
3	107417868	1	HOSE SLEEVE Ø38 AS QUICKSYSTEM	
3	107417867	1	HOSE SLEEVE Ø36 AS QUICKSYSTEM	
3	107417866	1	HOSE SLEEVE Ø32 AS QUICKSYSTEM	
4	30928	1	HOSE SLEEVE AS#32/50	
4	15812	1	HOSE SLEEVE AS Ø 36	
5	46691	1	CURVED HAND PIECE	
6	107409977	1	TOOL ADAPTER WITH SUCTION	[1]
7	302000535	1	TOOL SLEEVE QUICKSYSTEM Ī	
8	107417865	1	EXHAUST AIR ADAPTER KIT	
9	302000529	1	SUCTION PIPE SALTIX 36MM	
9	107408074	1	EXTEN TUBE Ø36 2X505MM SS	
10	107416995	1	EXTENSION TUBE D36	
11	302002331	1	FLOOR NOZZLE WITH BRUSH	
12	29541	1	CREVICE NOZZLE 36X200	
13	14295	1	UNIVERSAL NOZZLE	
14	302002509	1	SUCTION BRUSH D36 BLACK	
15	60356	1	FLOOR NOZZLE 36MM	
16	302003666	1	INDST.FL.NOZZ.36X400MM	
17	42955	1	HOSE SLEEVE Ø50/50 CONDUCTIVE TYPE 22	[2]
18	48375	1	HOSE CLIP FOR CORD	

Part Notes:

- [1] - TSB-LI-VACS-2017-01 - AERO+ATTIX hose
 [2] - To be used with Ø50 mm hose



No.	Part No.	Qty.	Description	Part Note
0	107416370	1	AIRBOX KIT 220-240V	
	107418781	1	AIRBOX KIT 110-120V 50/60HZ US	
1	107402622	1	FLOW SENSOR KIT	
2	25437	2	NIPPLE G1/4-R1/4	
3	14809	1	COUPLING MALE G1/4	
4	14808	1	COUPLING FEMALE G1/4	
5	302004029	4	SCREW 5X18	
6	107415054	1		

