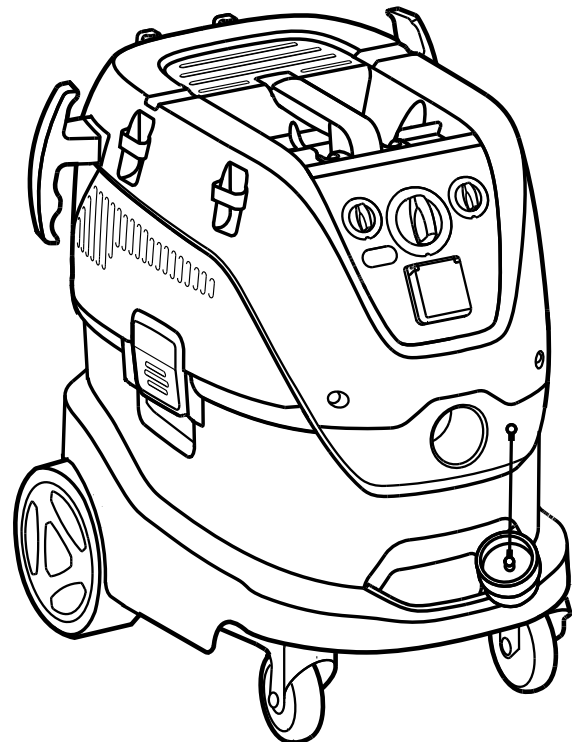
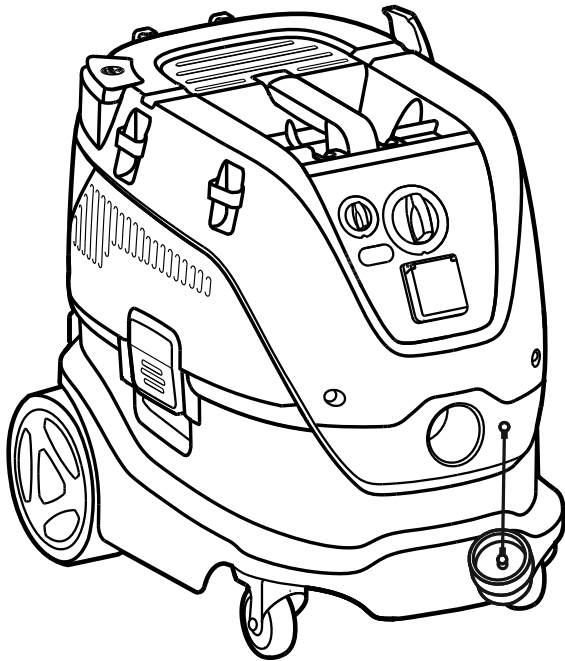


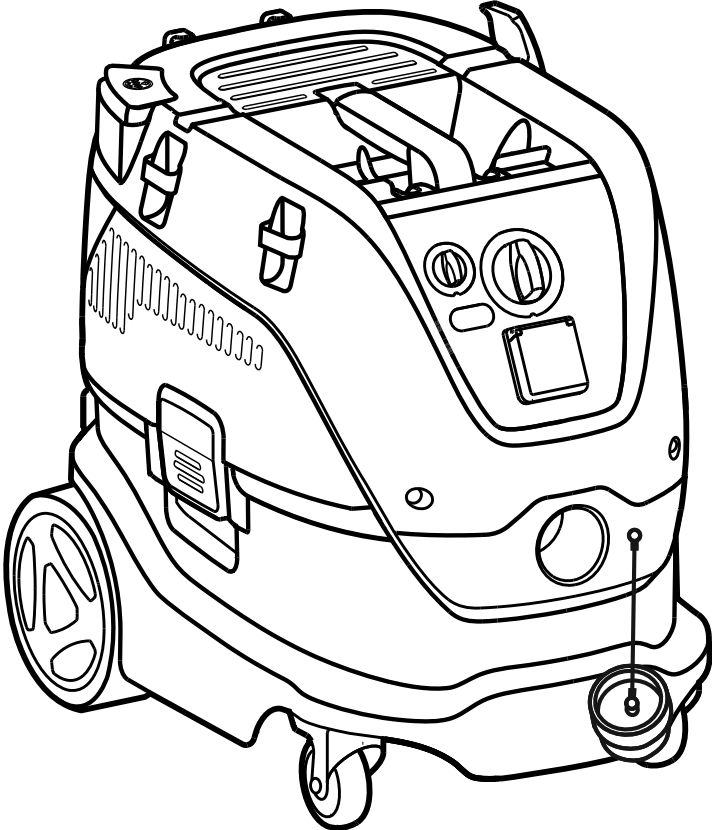
# VHS 42 MC - VHS 42 HC

## Instructions for use

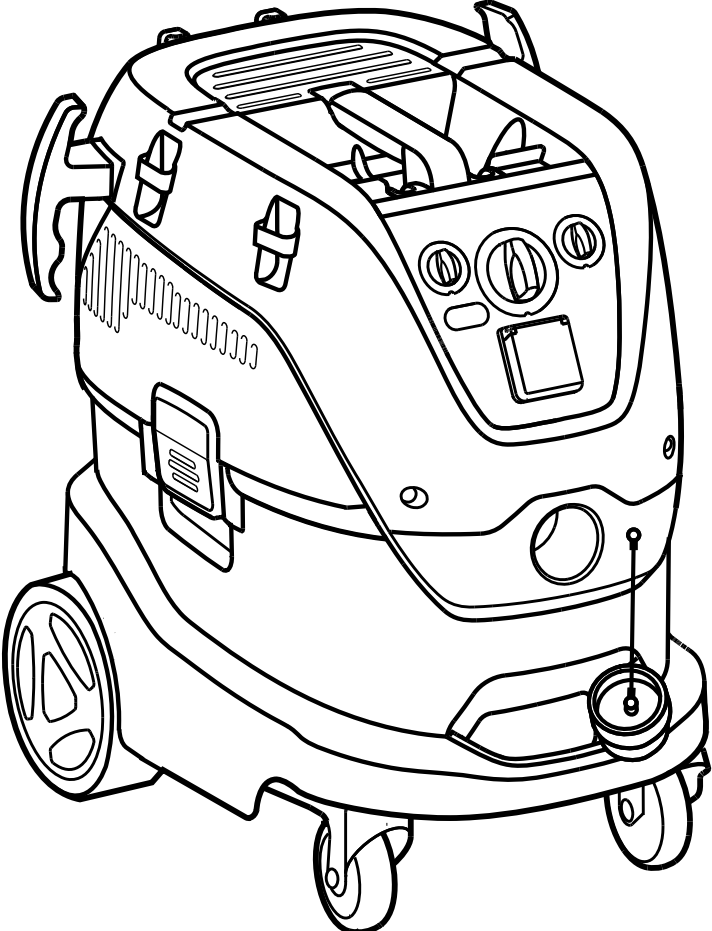


<b>EN</b>	Operating instructions .....	1
<b>DE</b>	Bedienungsanweisungen .....	11
<b>FR</b>	Instructions de fonctionnement .....	22
<b>NL</b>	Gebruiksaanwijzingen .....	33
<b>IT</b>	Istruzioni per l'uso .....	44
<b>NO</b>	Bruksanvisning .....	55
<b>SV</b>	Bruksanvisning .....	65
<b>DA</b>	Betjeningsvejledning .....	75
<b>FI</b>	Käyttöohje .....	85
<b>ES</b>	Instrucciones de funcionamiento .....	95
<b>PT</b>	Instruções de Funcionamento .....	106
<b>EL</b>	Οδηγίες λειτουργίας .....	117
<b>TR</b>	Kullanma Talimatları .....	129
<b>SL</b>	Navodila za delovanje .....	140
<b>HR</b>	Upute za uporabu .....	150
<b>SK</b>	Návod na obsluhu .....	160
<b>CS</b>	Návod k obsluze .....	171
<b>PL</b>	Instrukcje dotyczące obsługi .....	181
<b>HU</b>	Használati útmutató .....	192
<b>RO</b>	Instrucțiuni de utilizare .....	203
<b>BG</b>	Указания за експлоатация .....	214
<b>RU</b>	Руководство по эксплуатации .....	226
<b>ET</b>	Tööjuhised .....	238
<b>LV</b>	Norādījumi par ekspluatāciju .....	248
<b>LT</b>	Naudojimo instrukcija .....	258
<b>JA</b>	作手順.....	268
<b>ZH</b>	操作说明 .....	278
<b>KO</b>	사용법.....	286
<b>TH</b>	คำแนะนำการใช้งาน .....	296
<b>MS</b>	Arahan Operasi.....	306

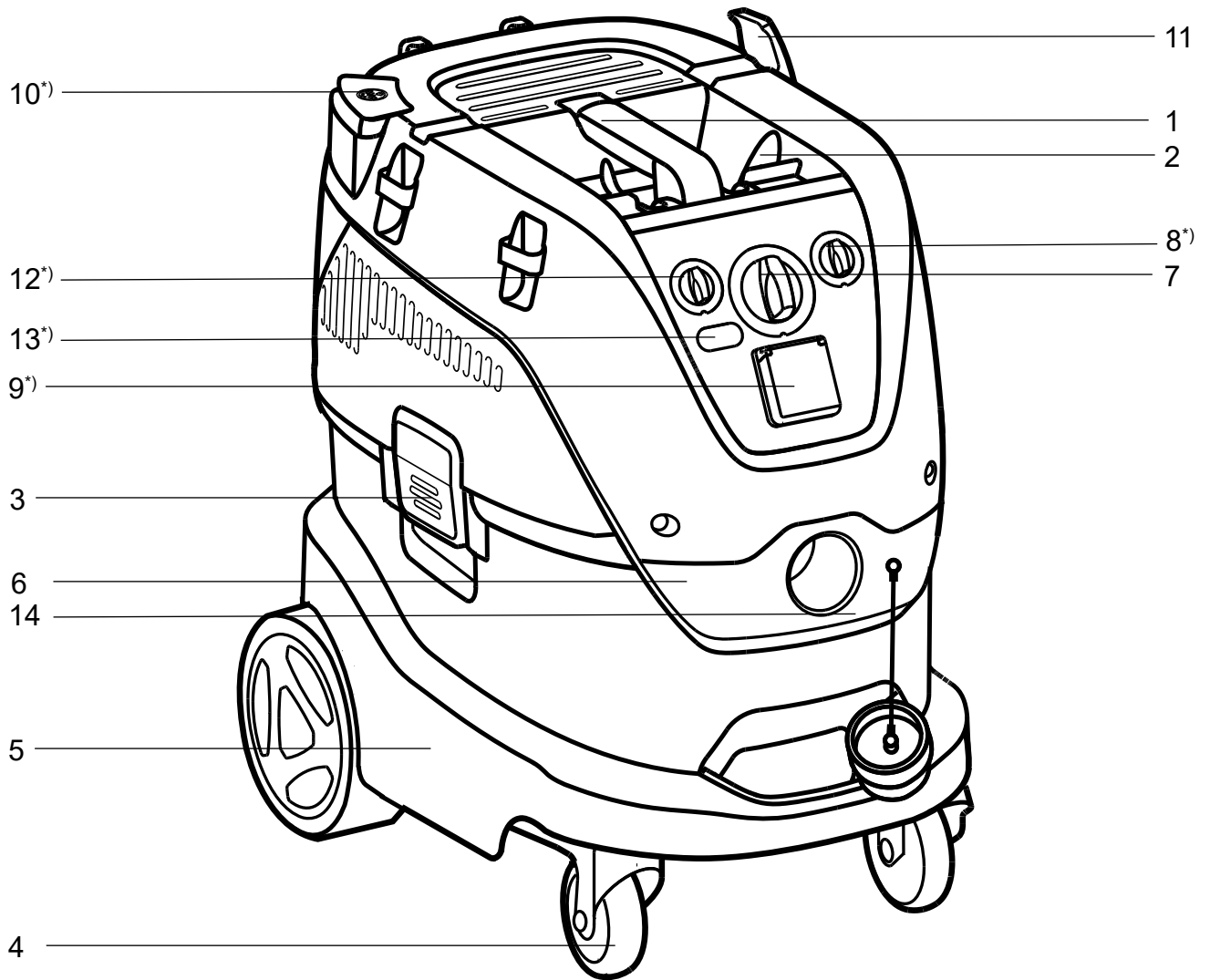
VHS 42 L30 MC PC  
VHS 42 L30 HC PC



VHS 42 L40 MC PC  
VHS 42 L40 HC PC



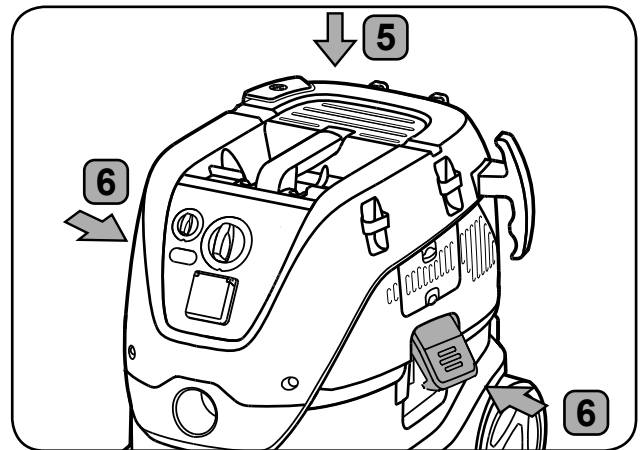
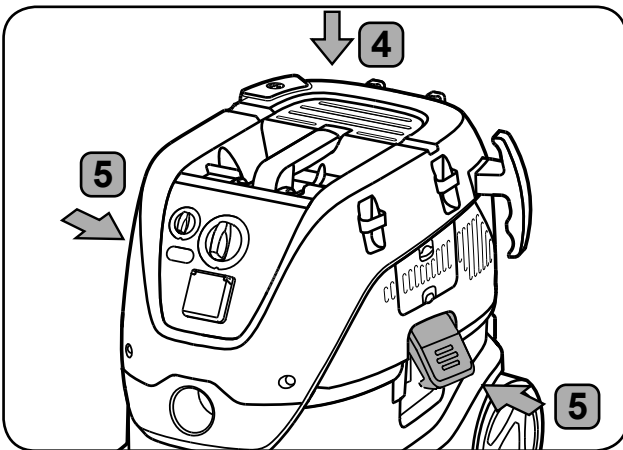
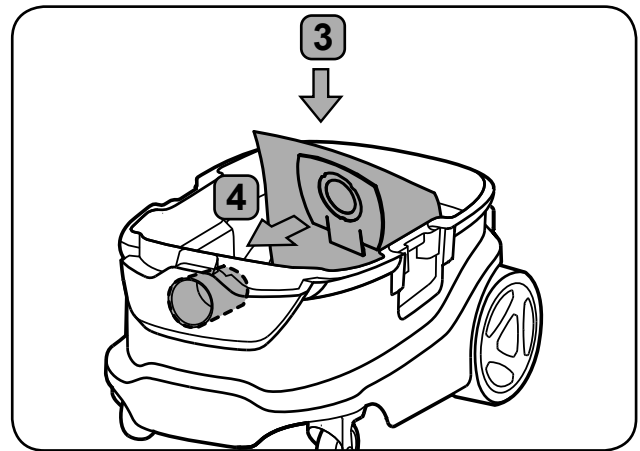
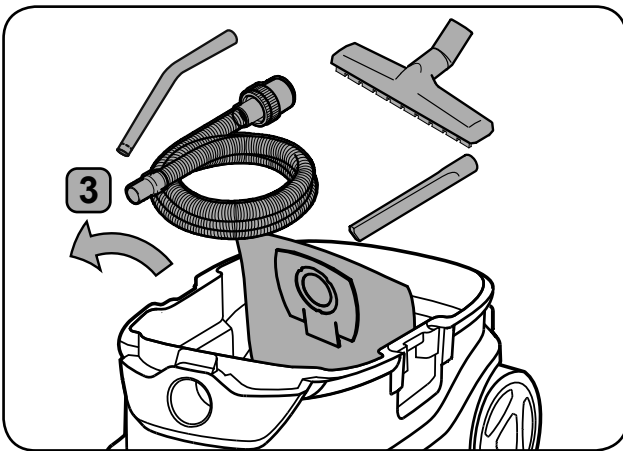
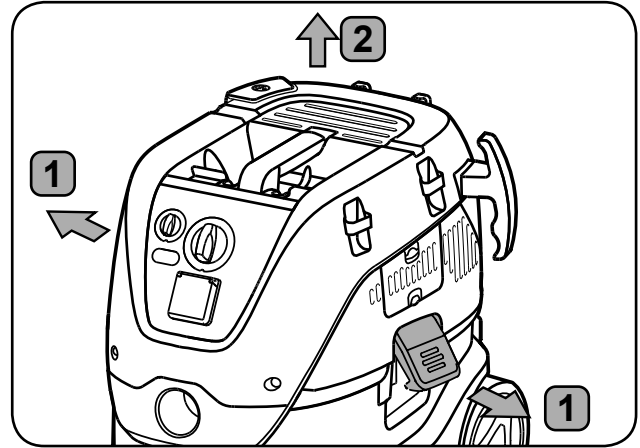
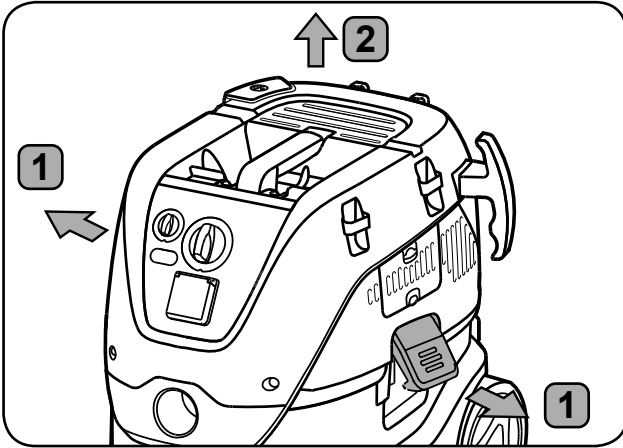
# Operating elements



1A)



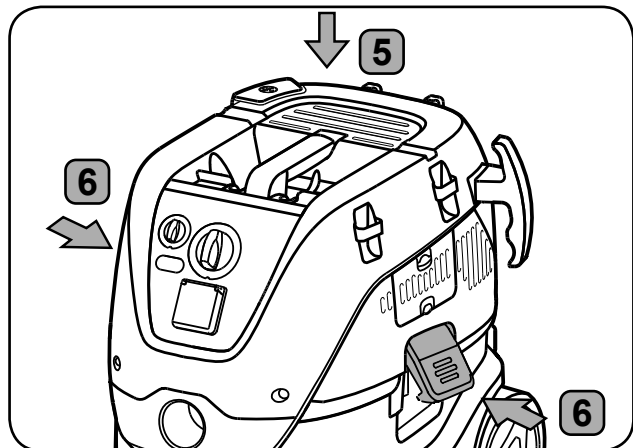
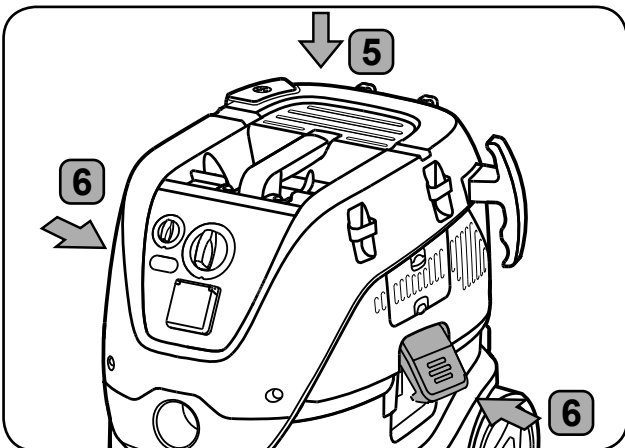
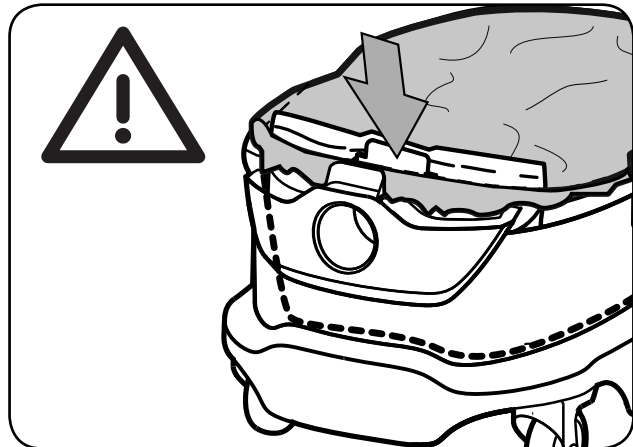
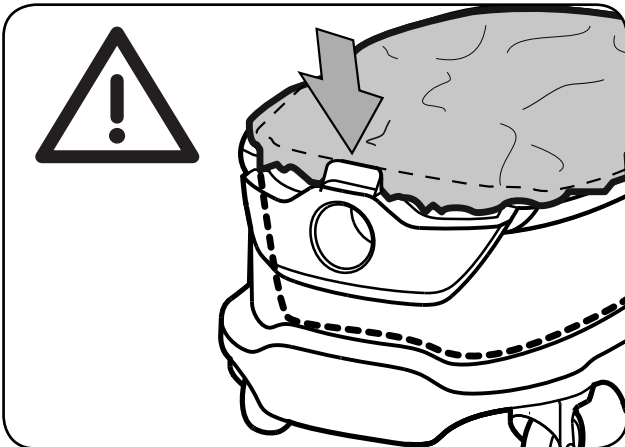
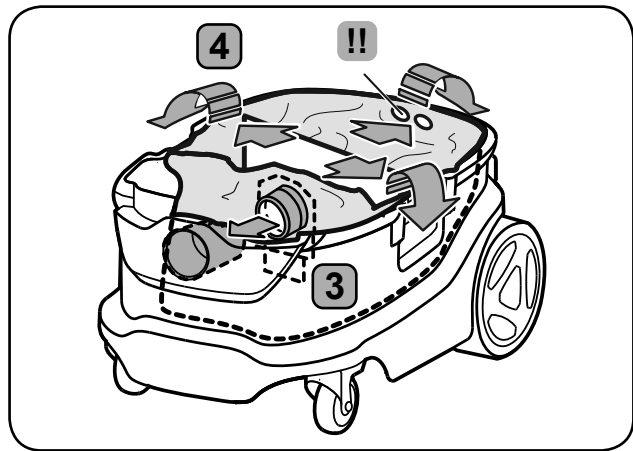
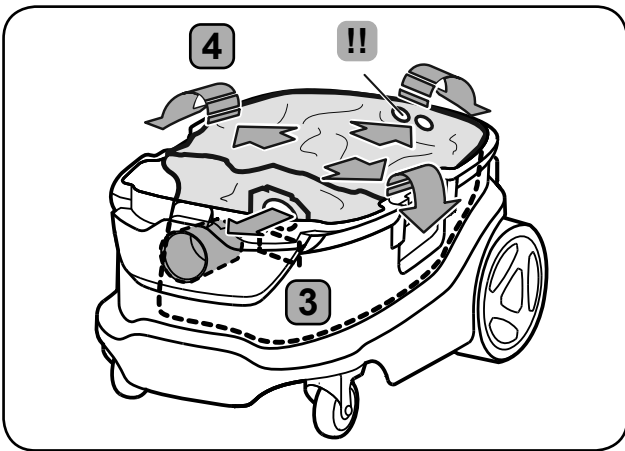
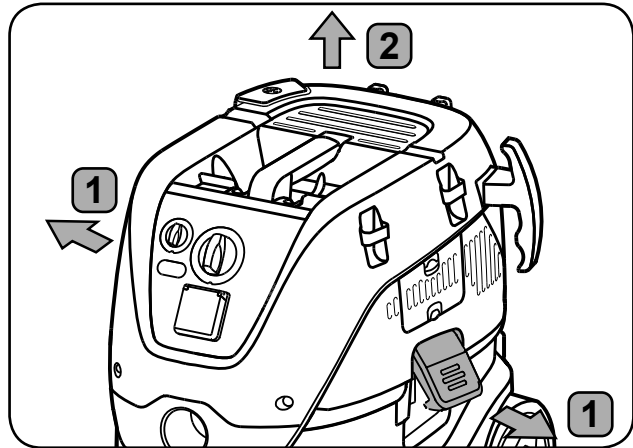
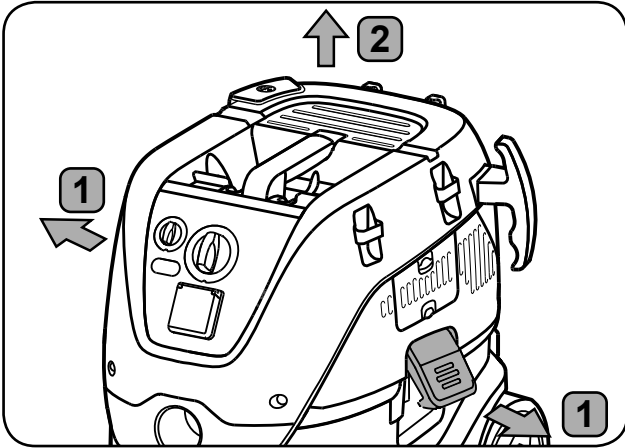
2A

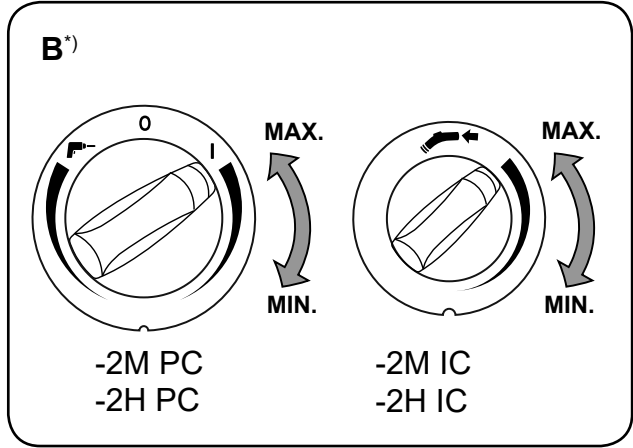
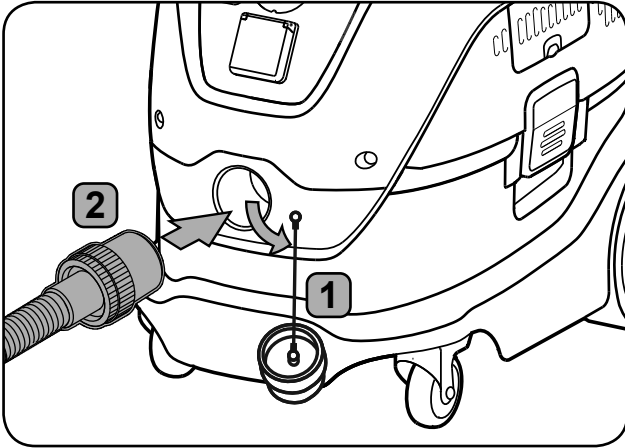


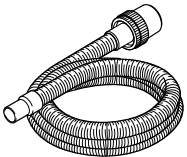
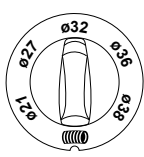
3A)

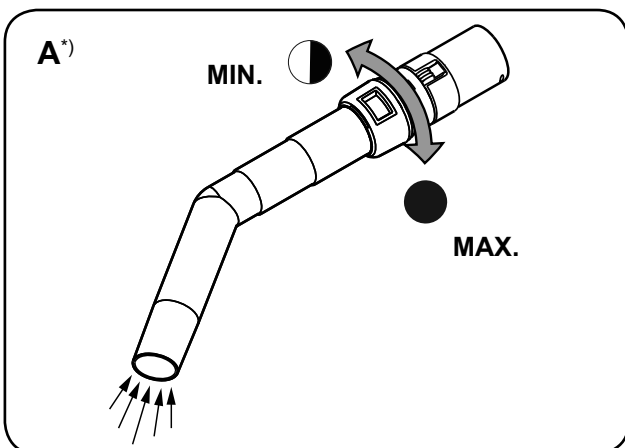
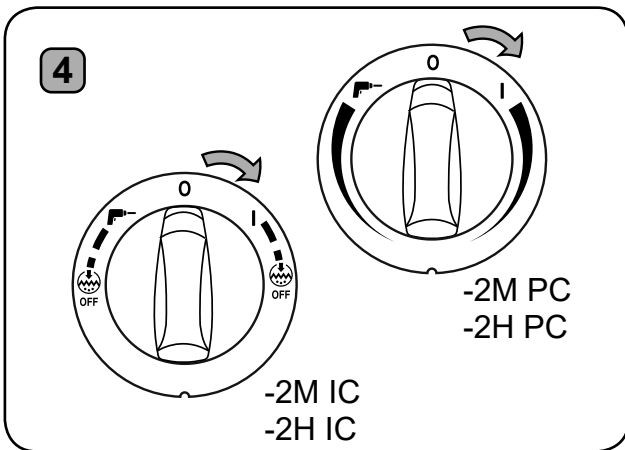


4A

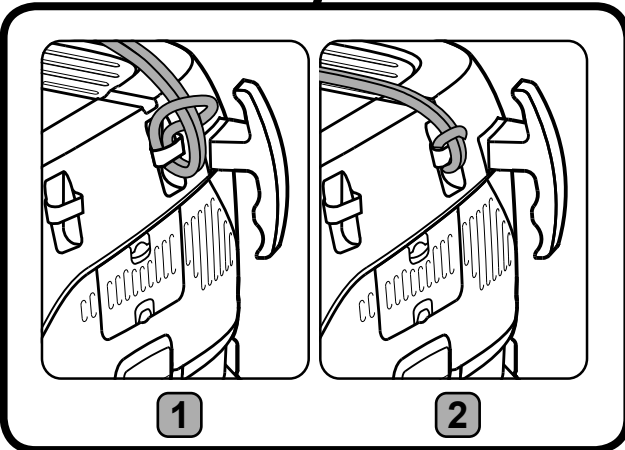
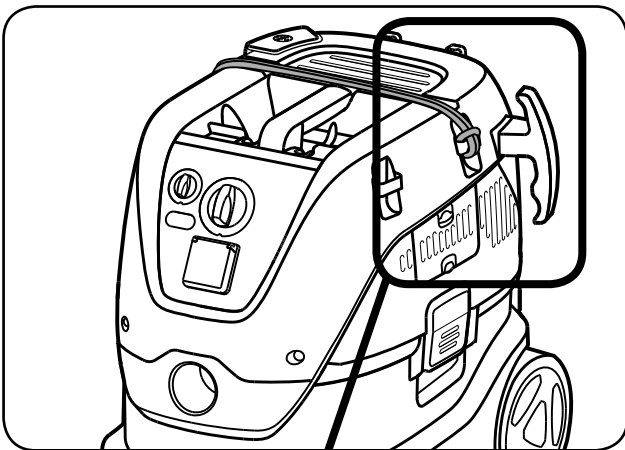
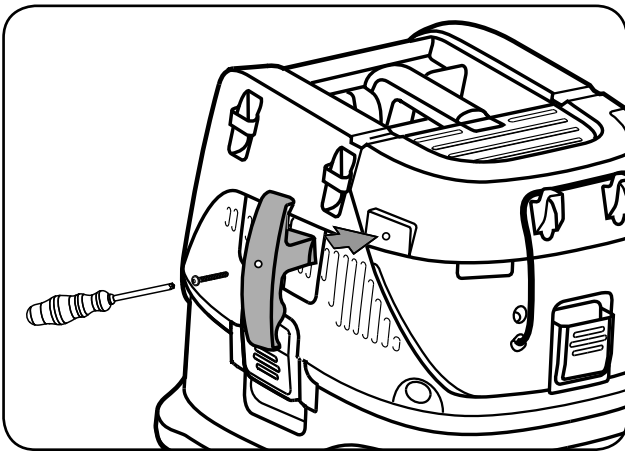
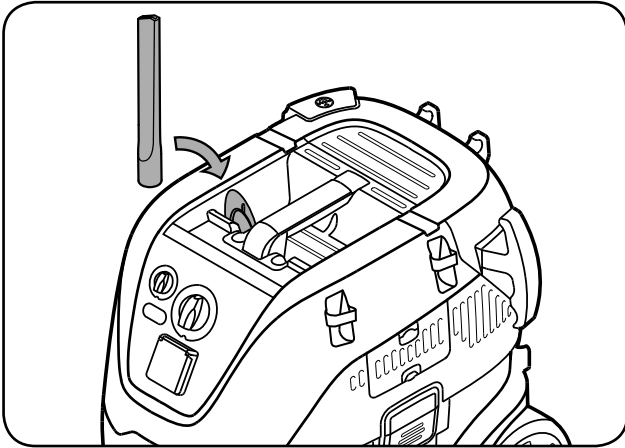




	<b>3</b> 
ø21	ø21
ø27	ø27
ø32	ø32
ø36	ø36
ø38	ø38



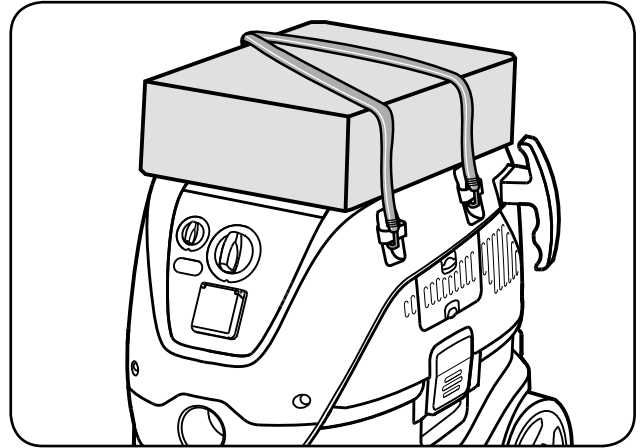
6A<sup>1)</sup>



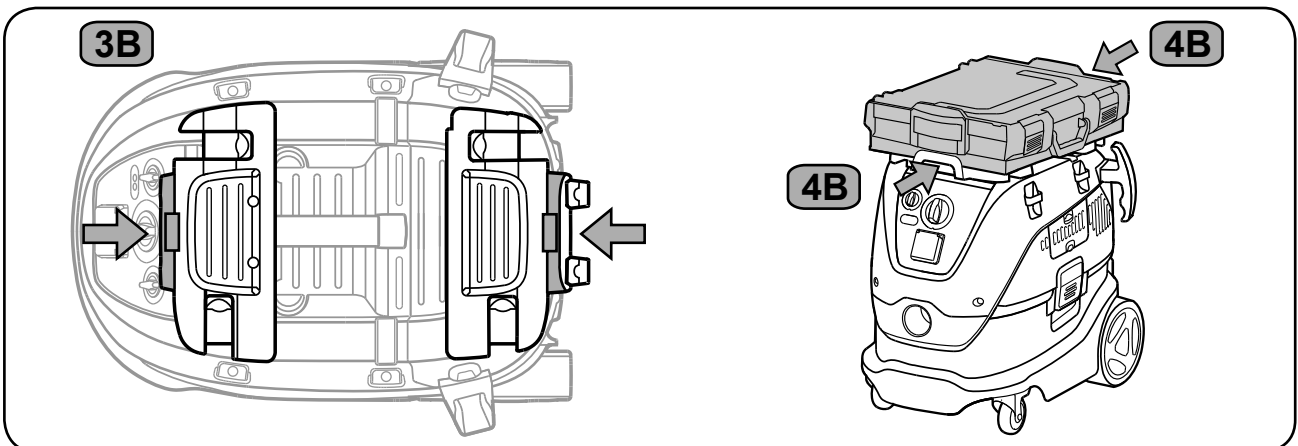
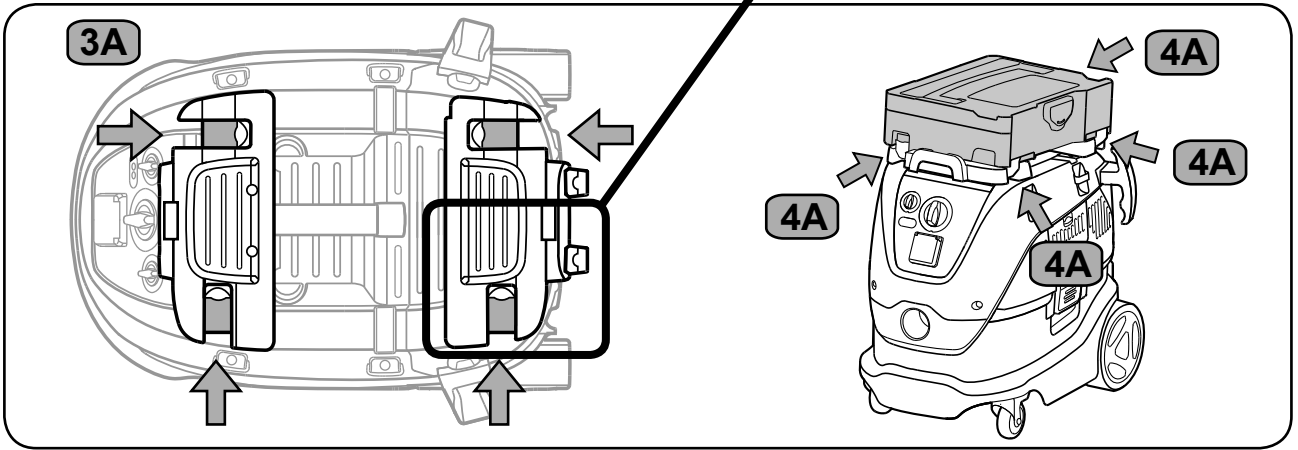
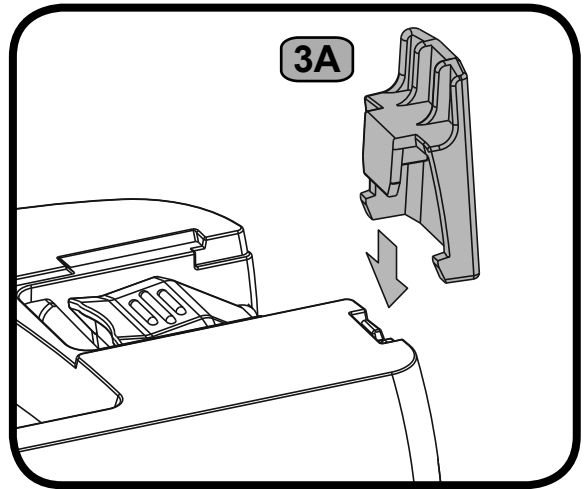
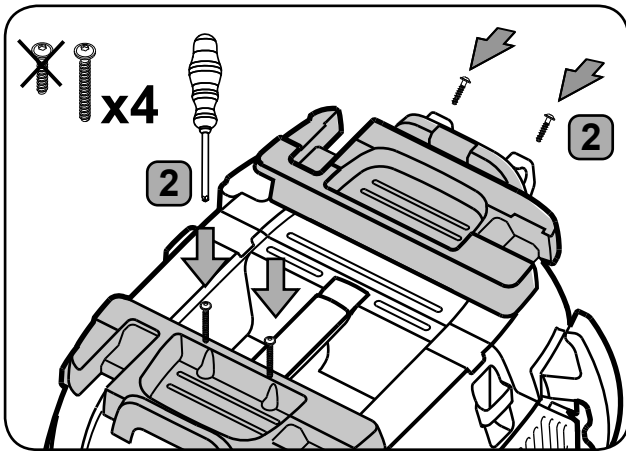
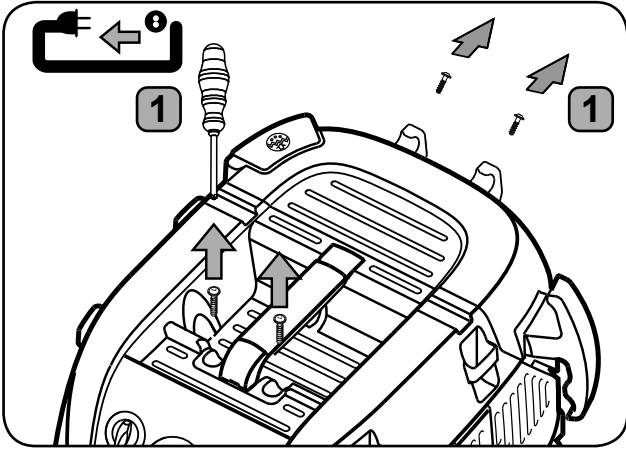
1

2

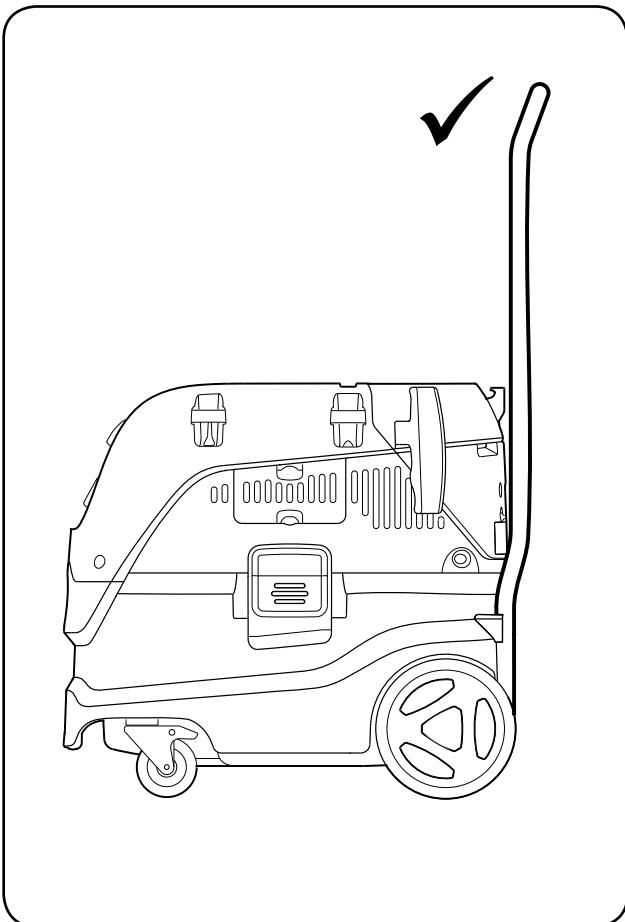
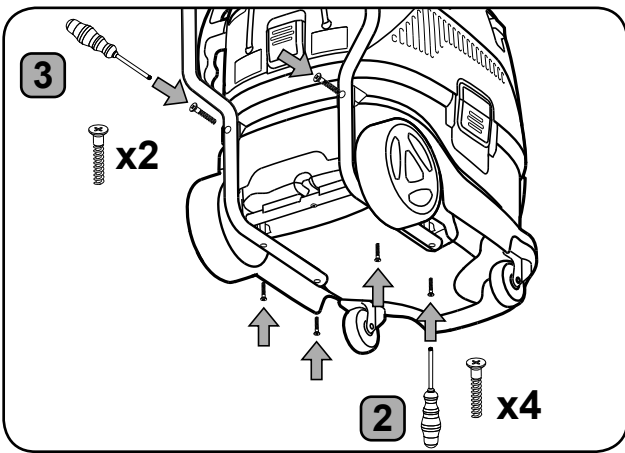
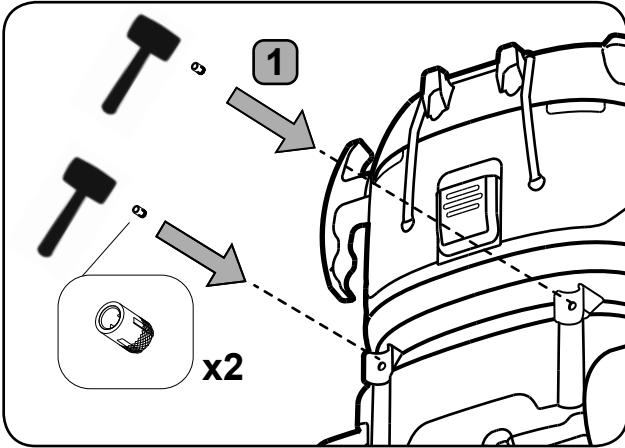
6A<sup>1)</sup>



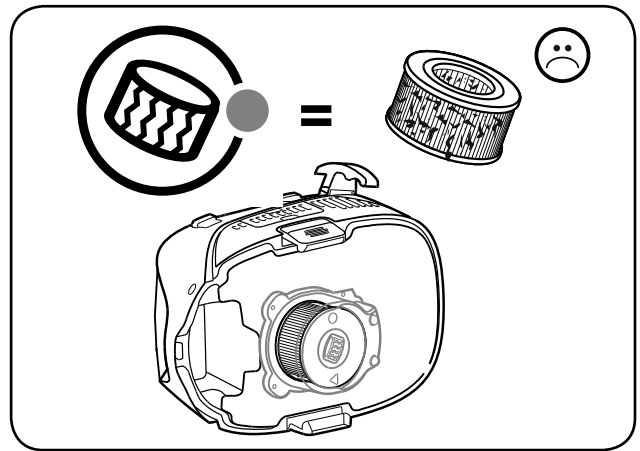
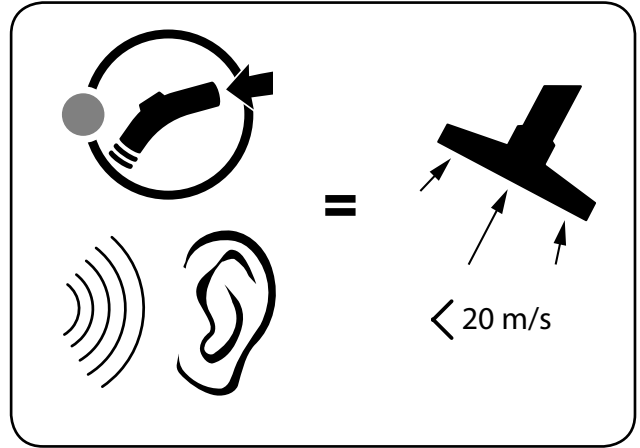




8A<sup>1)</sup>



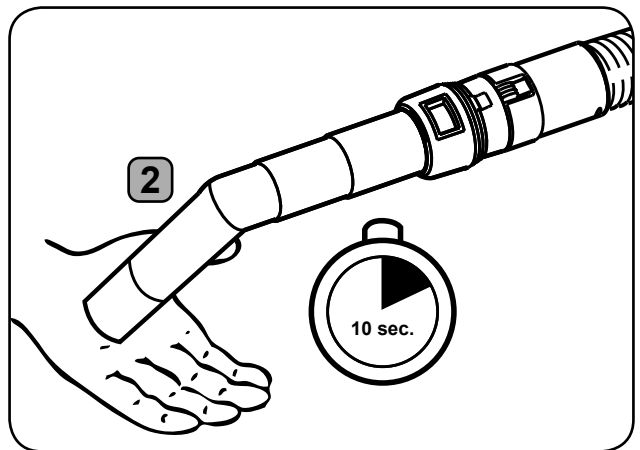
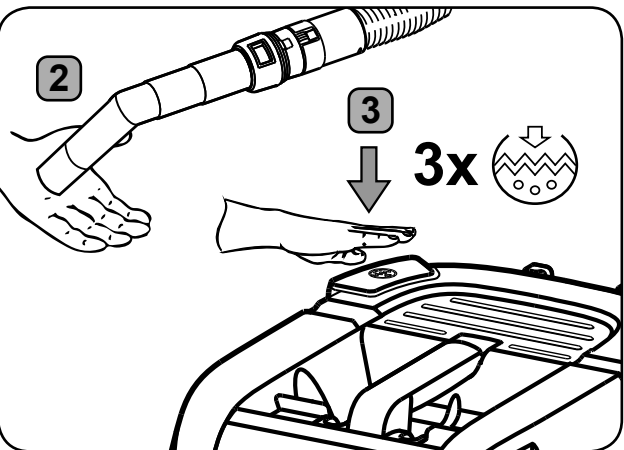
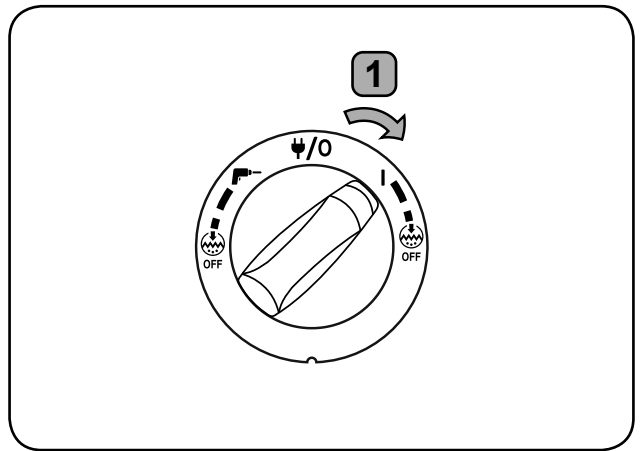
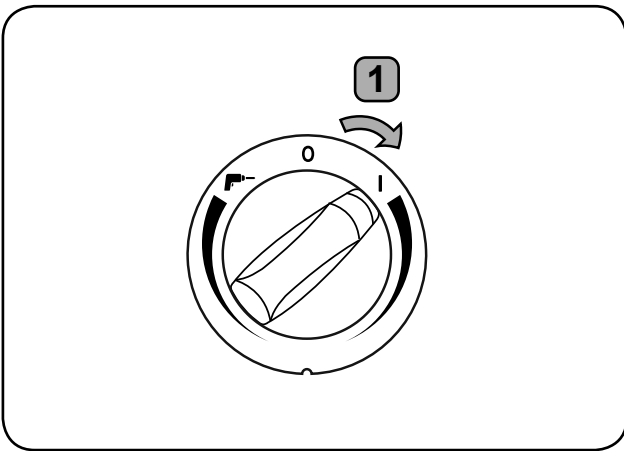
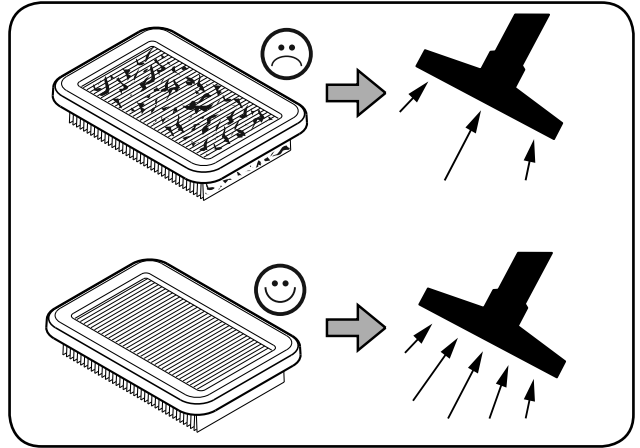
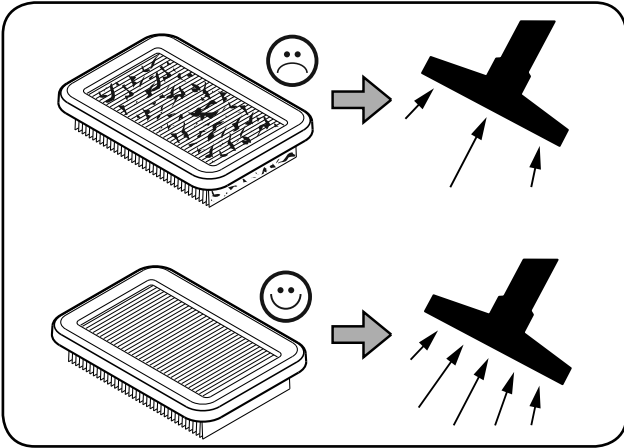
1B<sup>1)</sup>



2B<sup>1)</sup>



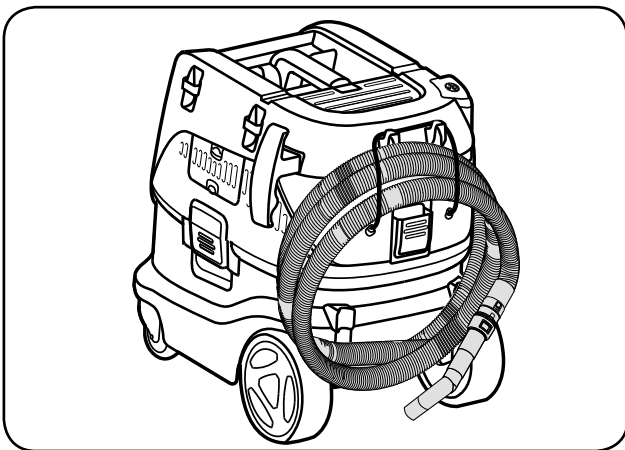
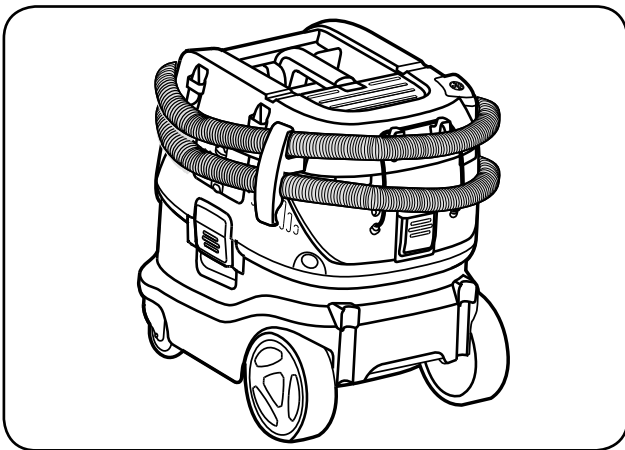
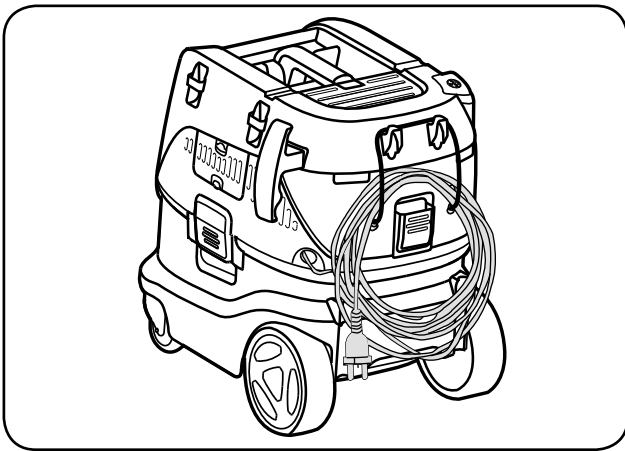
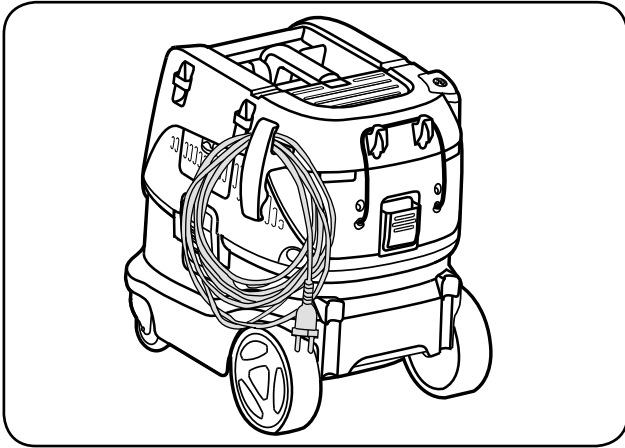
3B<sup>1)</sup>



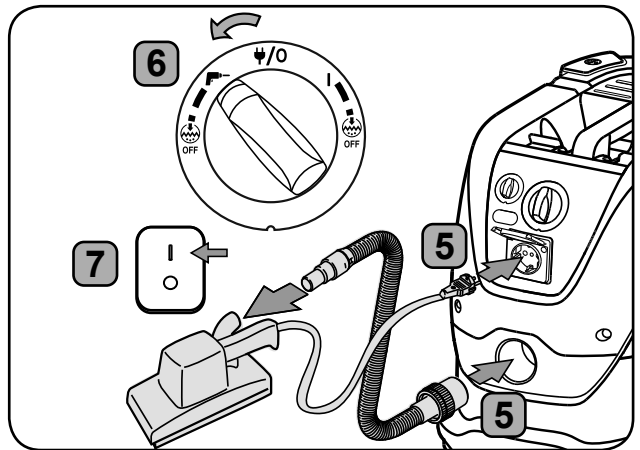
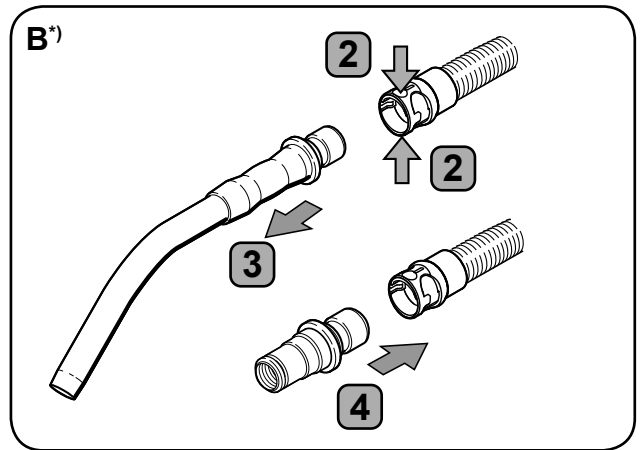
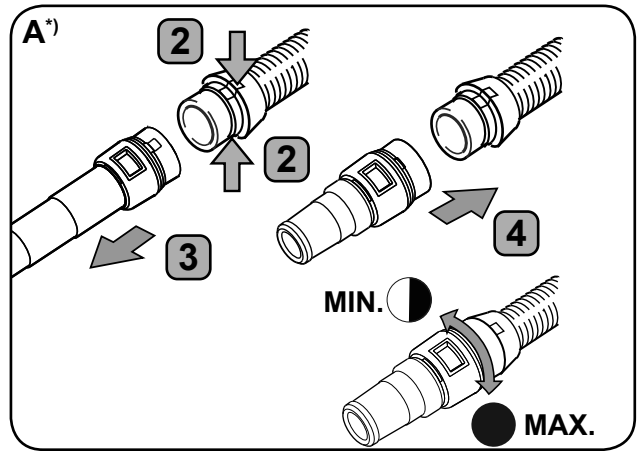
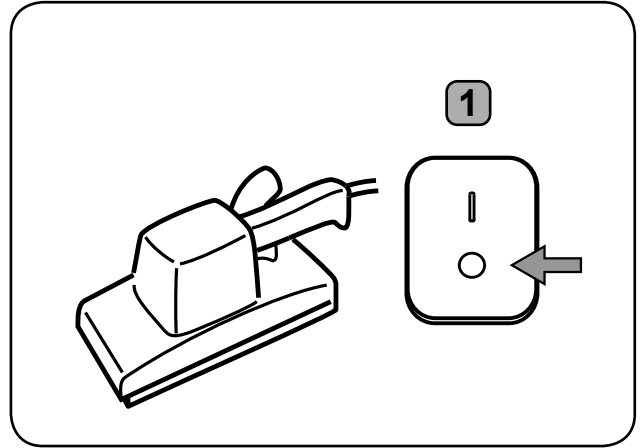
**Push&Clean**

**InfiniClean**

4B



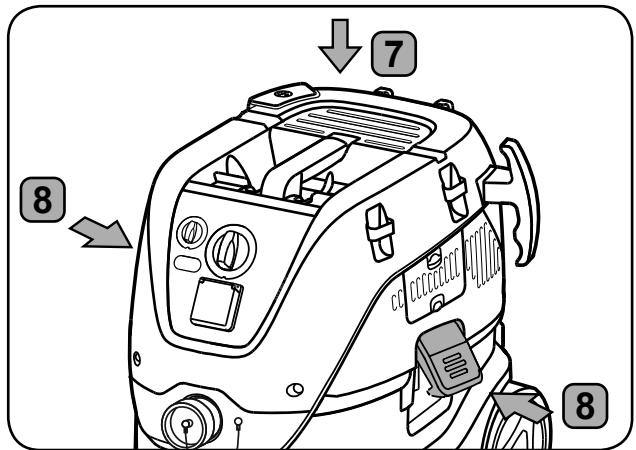
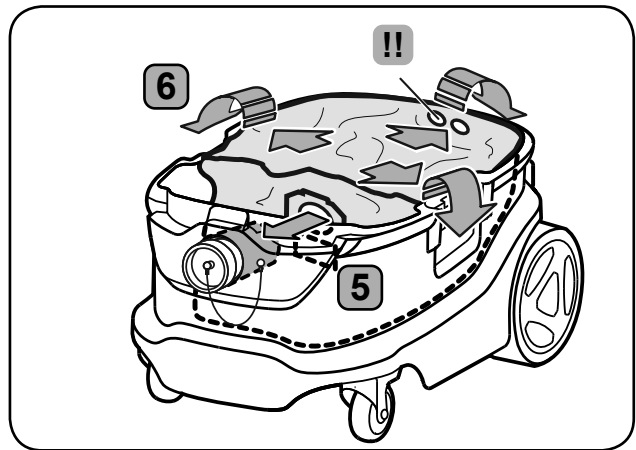
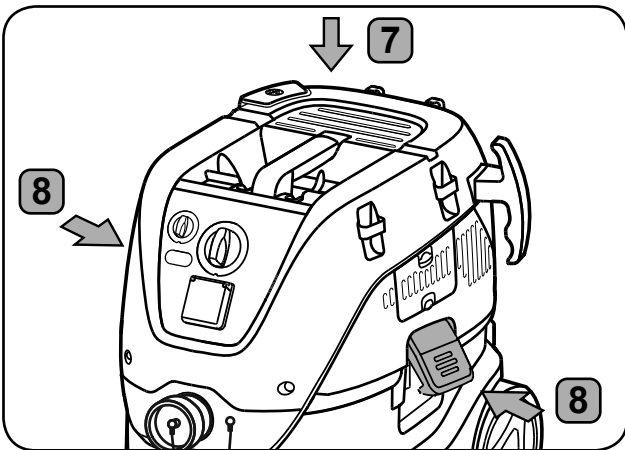
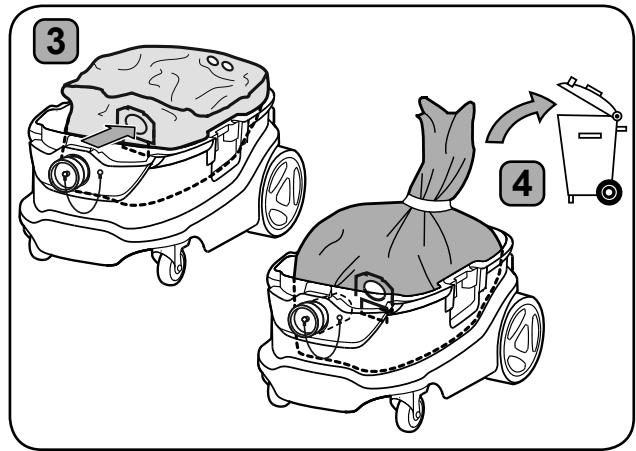
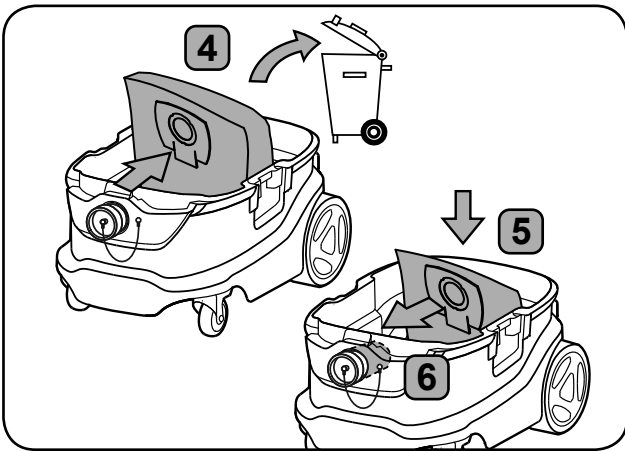
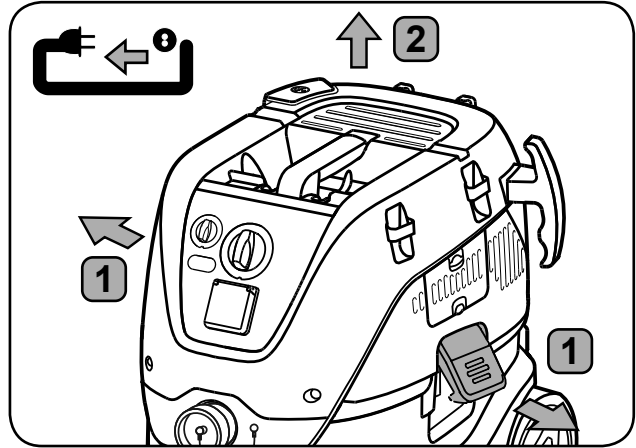
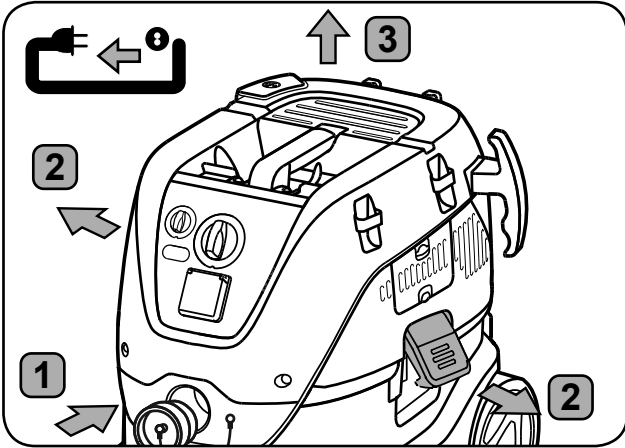
1C



1D



2D<sup>1)</sup>

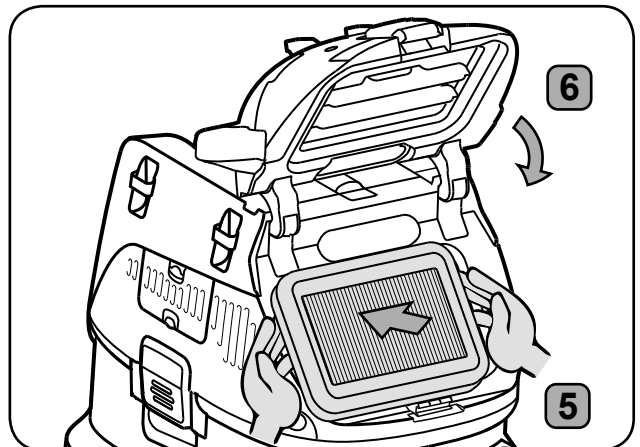
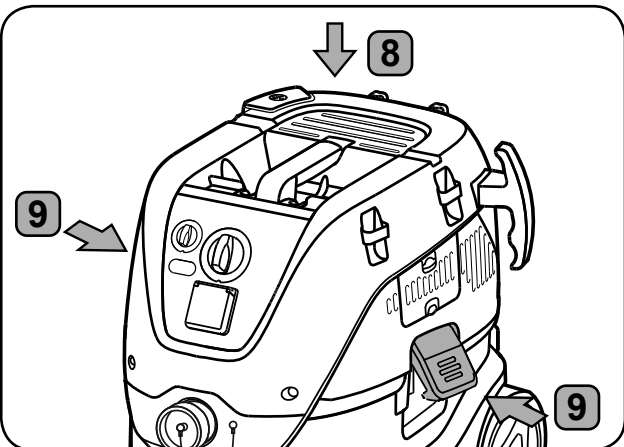
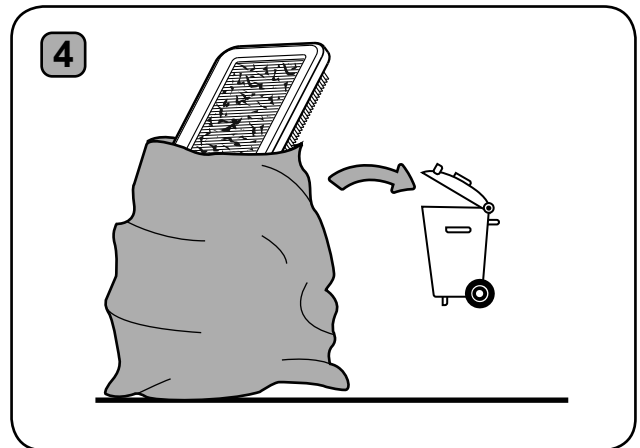
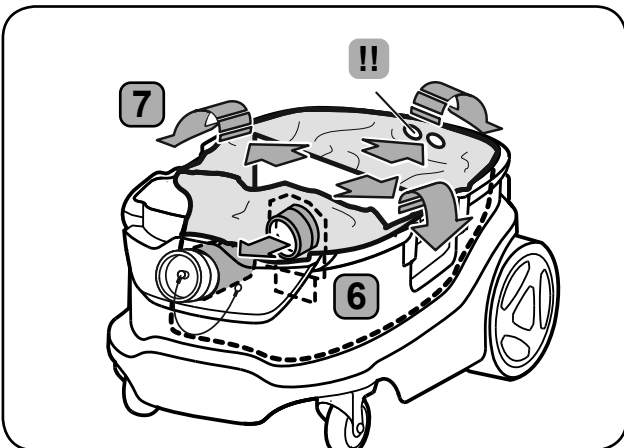
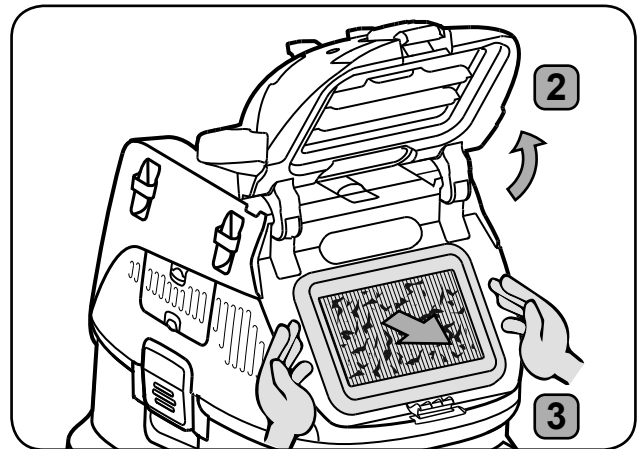
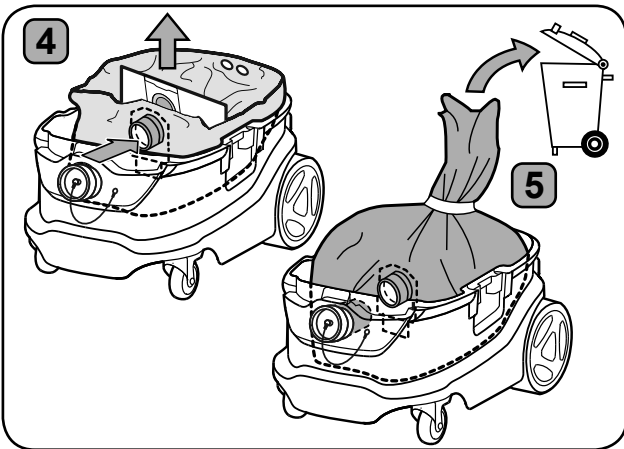
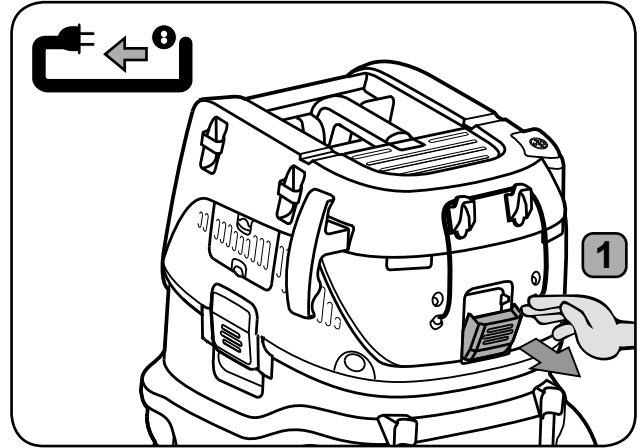
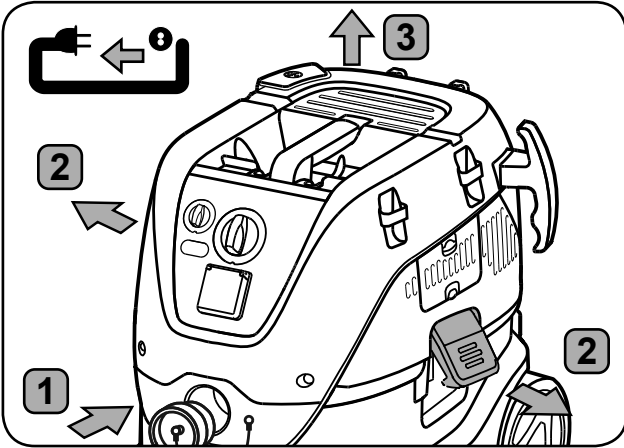
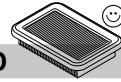




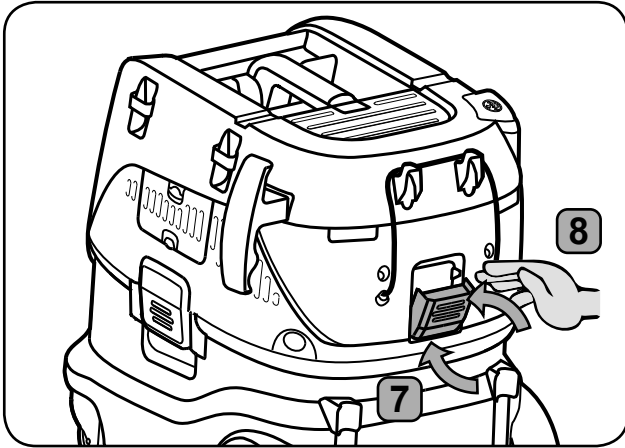
3D



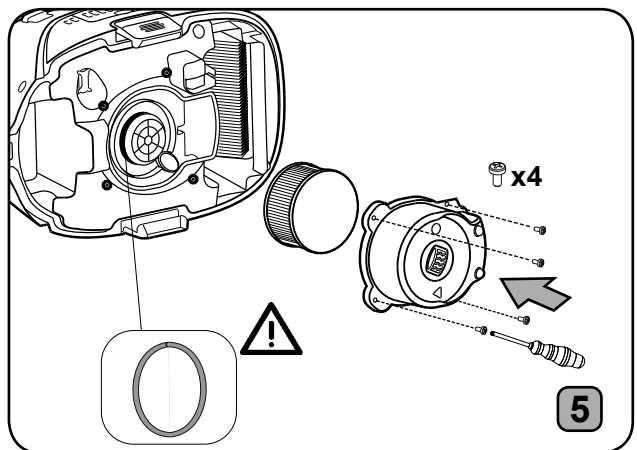
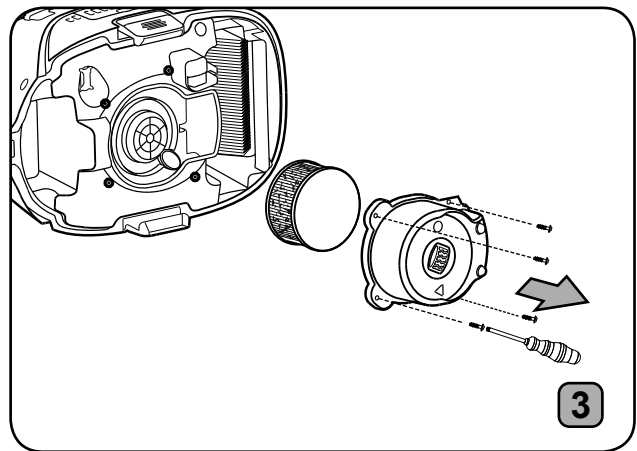
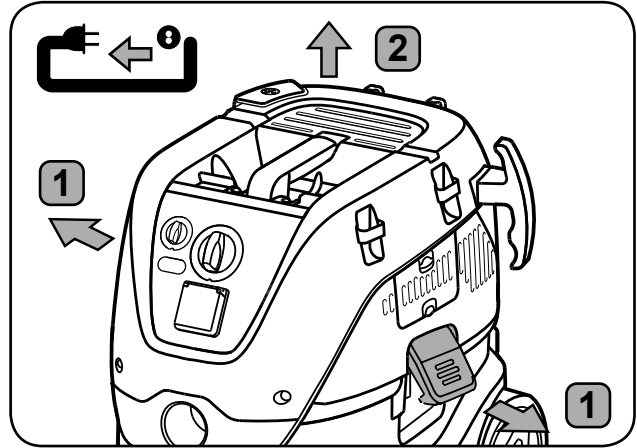
4D



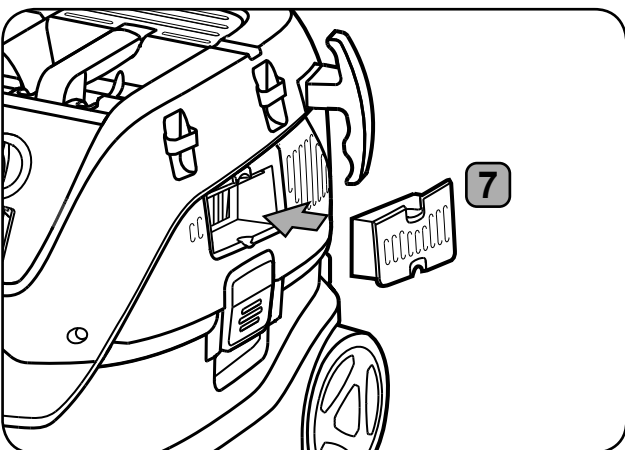
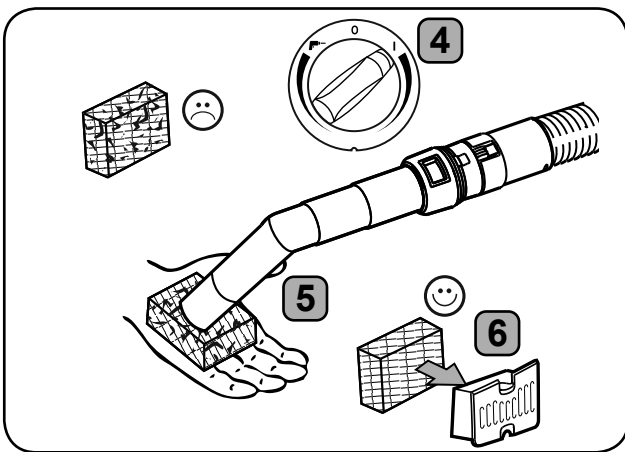
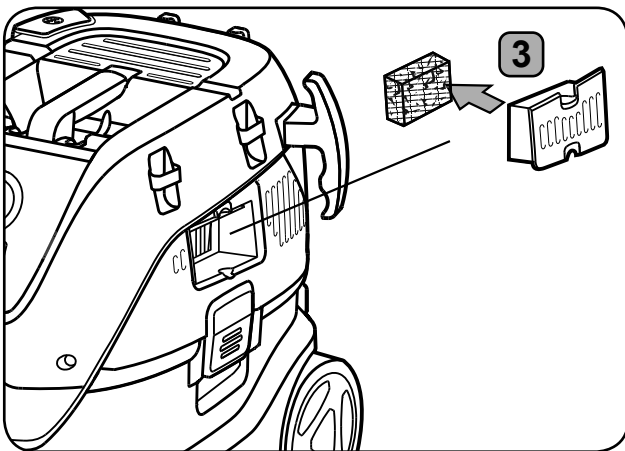
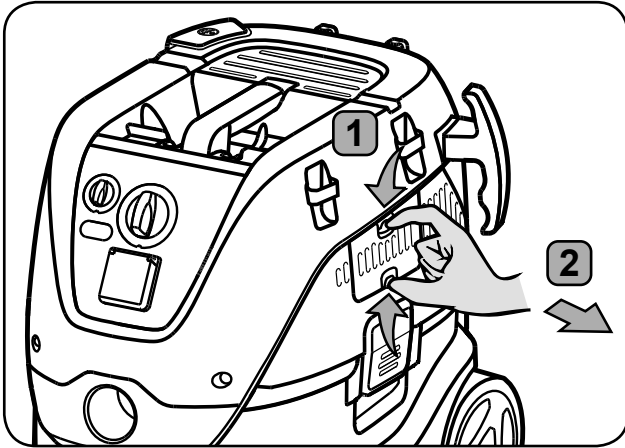
4D



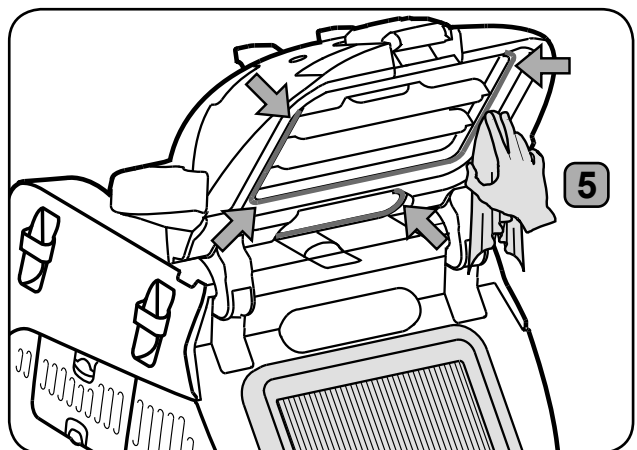
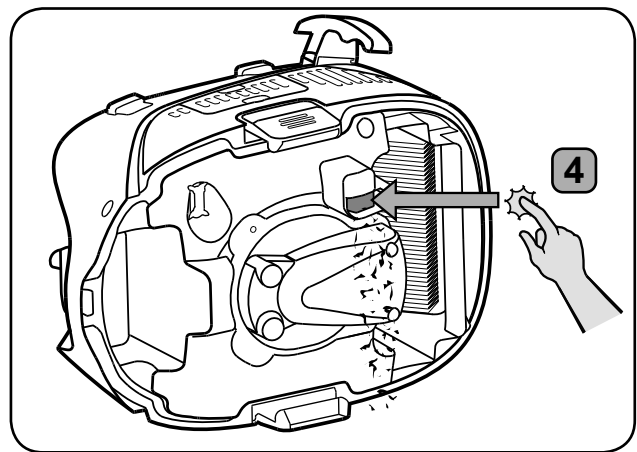
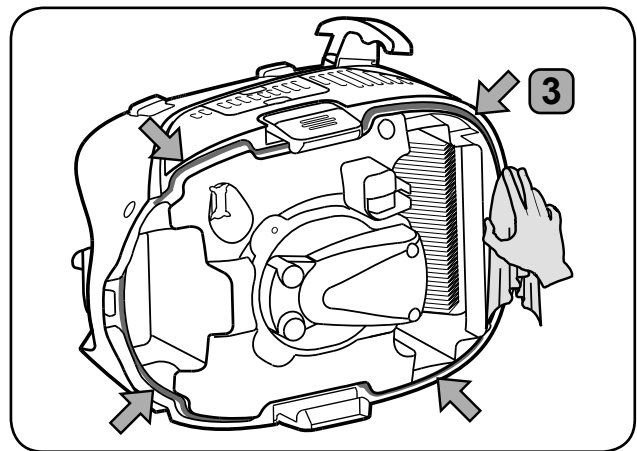
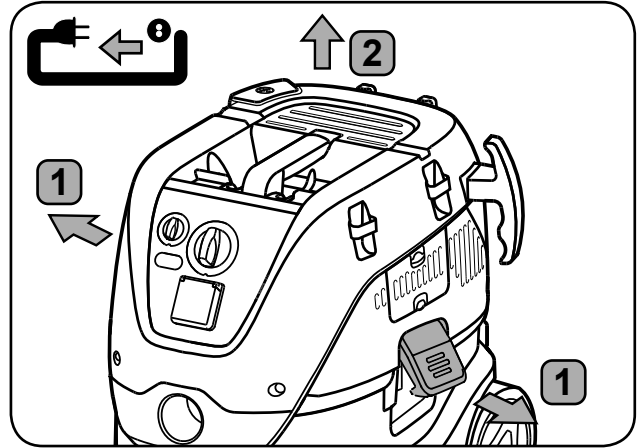
5D



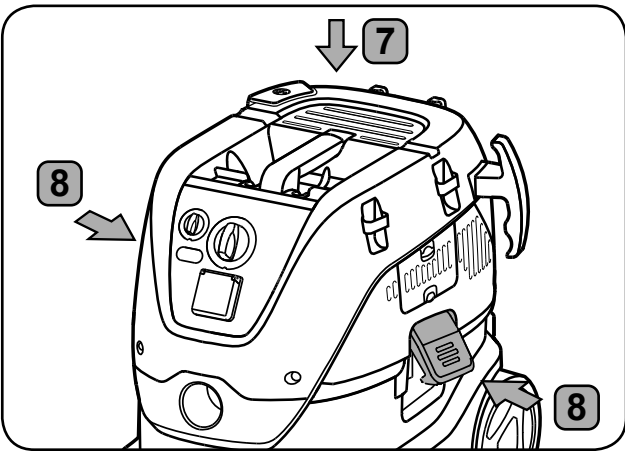
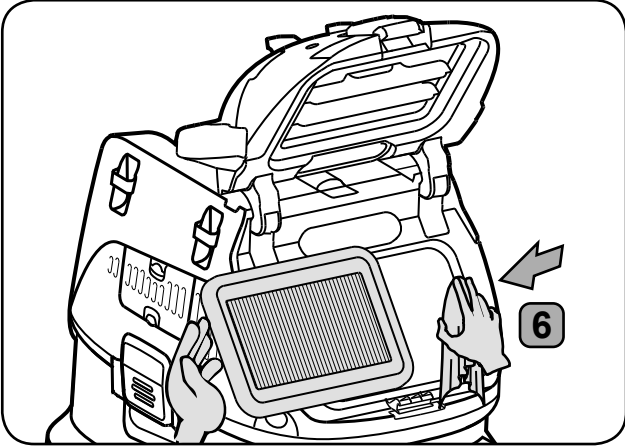
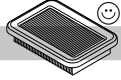
6D



7D







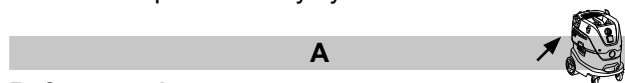
# Quick reference guide

## Operating elements:

1. Handle
2. Accessory positions
3. Latch
4. Castor
5. Container
6. Inlet fitting
7. Switch
8. Speed control\*)
9. Appliance socket\*)
10. Filter cleaning button (Push&Clean)\*)
11. Hose hook
12. Hose diameter setting\*)
13. LED indicator
14. Inlet cap

## The pictorial quick reference guide

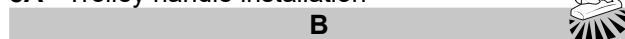
The pictorial quick reference guide is designed for helping you when starting up, operating and storing the unit. The guide are subdivided into 4 sections, which are represented by symbols:



### Before starting

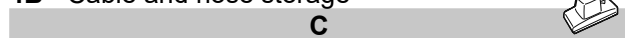
#### DO READ OPERATING INSTRUCTIONS BEFORE USE!

- 1A - Unpack accessories
- 2A - Filter bag installation
- 3A - Disposal bag installation
- 4A - Safety filter bag installation
- 5A - Hose insert & operations
- 6A - Accessories placement
- 7A - Adaptor plate installation
- 8A - Trolley handle installation



### Control/Operation

- 1B - Flow rate and filter warning
- 2B - Push&Clean filter cleaning system
- 3B - InfiniClean filter cleaning system
- 4B - Cable and hose storage



### Connecting electrical appliances

- 1C - Power tool adaption



### Maintenance:

- 1D - Filter bag replacement
- 2D - Disposal bag replacement
- 3D - Safety filter bag replacement
- 4D - Filter replacement Dust Class M & H
- 5D - Essential filter replacement Dust Class H
- 6D - Motor cooling air diffuser cleaning
- 7D - Gaskets and floater cleaning

# Contents

<b>1 Safety instructions</b> .....	<b>2</b>
1.1 Symbols used to mark instructions .....	2
1.2 Instructions for use .....	2
1.3 Purpose and intended use .....	2
1.4 Electrical connection .....	3
1.5 Extension lead .....	3
1.6 Guarantee .....	3
1.7 Important warnings .....	3
<b>2 Risks</b> .....	<b>4</b>
2.1 Electrical components .....	4
2.2 Hazardous dust .....	5
2.3 Spare parts and accessories .....	6
2.4 In explosive or inflammable atmosphere ...	6
<b>3 Control / Operation</b> .....	<b>6</b>
3.1 Starting and operating of the machine .....	6
3.2 Auto-On/Off socket outlet for power tools <sup>1)</sup>	6
3.3 Push&Clean <sup>1)</sup> .....	7
3.4 InfiniClean <sup>1)</sup> .....	7
3.5 Flow rate warning .....	7
3.6 Antistatic connection <sup>1)</sup> .....	7
3.7 Cooling air filter .....	7
3.8 Wet pick-up .....	7
3.9 Dry pick-up .....	8
<b>4 After using the machine</b> .....	<b>8</b>
4.1 After use .....	8
4.2 Transport .....	8
4.3 Storage .....	8
4.4 Accessory and tool storage .....	8
4.5 Recycling the machine .....	9
<b>5 Maintenance</b> .....	<b>9</b>
5.1 Regular servicing and inspection .....	9
5.2 Maintenance .....	9
<b>6 Further information</b> .....	<b>10</b>
6.1 Specifications .....	10
EU Declaration of conformity .....	317

<sup>1)</sup>OEL=Occupational Exposure Limit, <sup>1)</sup>Optional accessories / Option depending on model  
Original instruction

# 1 Safety instructions



This document contains the safety information relevant for the appliance along with a quick reference guide. Before starting up your machine for the first time, this instruction manual must be read through carefully. Save the instructions for later use.

## Further support

Further information on the appliance can be found on our web site at [www.Nilfisk.com](http://www.Nilfisk.com).

For further queries, please contact the Nilfisk service representative responsible for your country. See reverse of this document.

## 1.1 Symbols used to mark instructions

### DANGER



Danger that leads directly to serious or irreversible injuries, or even death.

### WARNING



Danger that can lead to serious injuries or even death.

### CAUTION



Danger that can lead to minor injuries and damage.

## 1.2 Instructions for use

The appliance must:

- only be used by persons, who have been instructed in its correct usage and explicitly commissioned with the task of operating it
- only be operated under supervision
- This appliance is not intended for use by persons (including children) with reduced physical, sensory or mental capabilities, or lack of experience and knowledge.
- Children shall be supervised to make sure that they do not play with the appliance.
- Do not use any unsafe work techniques.
- Never use the appliance without a filter.
- Switch off the appliance and disconnect the mains plug in the following situations:
  - Prior to cleaning and servicing
  - Prior to replacing components
  - Prior to changing over the appliance
  - If foam develops or liquid emerges

Besides the operating instructions and the binding accident prevention regulations valid in the country of use, observe recognised regulations for safety and proper use.

Before starting work, the operating staff must be informed on and trained within:

- use of the machine
- risks associated with the material to be picked up
- safe disposal of the picked up material

## 1.3 Purpose and intended use

This mobile dust extractor is designed, developed and rigorously tested to function efficiently and safely when properly maintained and used in accordance with the following instructions.

This machine is intended for commercial use, for example in hotels, schools, hospitals, factories, shops, offices and rental businesses.

This machine is also suitable for industrial use, such as e.g. plants, construction sites and workshops. Accidents due to misuse can only be prevented by those using the machine.

**READ AND FOLLOW ALL SAFETY INSTRUCTIONS.**

Any other use is considered as improper use. The manufacturer accepts no liability for any damage resulting from such use. The risk for such use is borne solely by the user. Proper use also includes proper operation, servicing and repairs as specified by the manufacturer.

The air flow in Safety Vacuum systems has to be strictly controlled to achieve a minimum flow rate of  $V_{\min} = 20$  m/s in the suction hose.

For **Dust Class H** machines (with type designation VHS 42 HC) following applies:

The appliance is suitable for picking up dry, non-flammable dust, non flammable liquids, hazardous dusts with OEL<sup>1)</sup> values, carcinogenic dusts, dusts containing germs.

Dust Class H machines (with type designation VHS 42 HC) are also approved for asbestos abatement according to TRGS 519.



Dust Class H (IEC 60335-2-69).

The dusts which belong to this class are: dusts with OEL values<sup>1)</sup>, all carcinogenic dusts and dusts which are mixed with pathogenic agents. Vacuums for Dust Class H are tested in their entirety and have a maximum degree of permeability of 0.005%. The disposal must be dust free.

The safety label on the machine warns:

This appliance contains dust hazardous to health. Emptying and maintenance operations, including removal of the dust collecting means, must only be carried out by authorised personnel wearing suitable personal protection. Operate only after the full filtration system has been fitted and checked.

For dust extractors, ensure adequate air change rate H, when the exhaust air is returned to the room. Observe national regulations before use.

For **Dust Class M** machines (with type designation VHS 42 MC) following applies:

The appliance is suitable for picking up dry, non-flammable dust, non flammable liquids, sawdust and hazardous dusts with OEL<sup>1)</sup> values  $\geq 0.1 \text{ mg/m}^3$



Dust Class M (IEC 60335-2-69). The dusts which belong to this class are: dusts with OEL values<sup>1)</sup>

$\geq 0.1 \text{ mg/m}^3$  as well as saw dust. The machine is tested in its entirety by vacuums for this dust class. The maximum degree of permeability is 0.1% and the disposal must be low dust.

For dust extractors, ensure adequate air change rate M, when the exhaust air is returned to the room. Observe national regulations before use.

### 1.4 Electrical connection

- It is recommended that the machine should be connected via a residual current circuit breaker.
- Arrange the electrical parts (sockets, plugs and couplings) and lay down the extension lead so that the protection class is maintained.
- Connectors and couplings of power supply cords and extension leads must be watertight.

### 1.5 Extension lead

1. As an extension lead, only use the version specified by the manufacturer or one of a higher quality.
2. When using an extension lead, check the minimum cross-sections of the cable:

Cable length	Cross section	
	< 16 A	< 25 A
up to 20 m	1.5 mm <sup>2</sup>	2.5 mm <sup>2</sup>
20 to 50 m	2.5 mm <sup>2</sup>	4.0 mm <sup>2</sup>

### 1.6 Guarantee

Our general conditions of business are applicable with regard to the guarantee.

Unauthorised modifications to the appliance, the use of incorrect brushes in addition to using the appliance in a way other than for the intended purpose exempt the manufacturer from any liability for the resulting damage.

### 1.7 Important warnings

## WARNING



- To reduce the risk of fire, electric shock, or injury, please read and follow all safety instructions and caution markings before use. This machine is designed to be safe when used for

cleaning functions as specified. Should damage occur to electrical or mechanical parts, the machine and / or accessory should be repaired by a competent service center or the manufacturer before use in order to avoid further damage to the machine or physical injury to the user.

- Do not leave the machine when it is plugged in. Unplug from the socket when not in use and before maintenance.
- Outdoor use of the appliance shall be limited to occasional use.
- Do not use with damaged cord or plug. To unplug grasp the plug, not the cord. Do not handle plug or machine with wet hands. Turn off all controls before unplugging.
- Do not pull or carry by cord, use cord as a handle, close a door on cord, or pull cord around sharp edges or corners. Do not run machine over cord. Keep cord away from heated surfaces.
- Keep hair, loose clothing, fingers and all parts


<sup>1)</sup>OEL=Occupational Exposure Limit, <sup>2)</sup> Optional accessories / Option depending on model  
Original instruction

- of the body away from openings and moving parts. Do not put any objects into openings or use with opening blocked. Keep openings free of dust, lint, hair, and anything else that could reduce the flow of air.
- Do not use in outside areas at low temperature.
  - Do not use to pick up flammable or combustible liquids such as gasoline, or use in areas where they may be present.
  - Do not pick up anything that is burning or smoking, such as cigarettes, matches or hot ashes.
  - Use extra care when cleaning on stairs.
  - Do not use unless filters are fitted.
  - If the machine is not working properly or has been dropped, damaged, left outdoors, or dropped into water, return it to a service center or dealer.
  - If foam or liquid escapes from the machine, switch off immediately.
  - The machine may not be used as a water pump. The machine is intended for vacuuming air and water mixtures.
- Connect the machine to a properly earthed mains supply. The socket outlet and the extension cable must have an operative protective conductor.
  - Provide for good ventilation at the working place.
  - Do not use the machine as a ladder or step ladder. The machine can tip over and become damaged. Danger of injury.
  - Only use the socket outlet on the machine for purposes specified in the instructions.


## 2 Risks

### 2.1 Electrical components

#### **DANGER**

-  The upper section of the machine contains live components. Contact with live components leads to serious or even fatal injuries. Never spray water on to the upper section of the machine.

#### **DANGER**

-  Electric shock due to faulty mains connecting lead. Touching a faulty mains connecting lead can result in serious or even fatal in-

juries.

- Do not damage the mains power lead (e.g. by driving over it, pulling or crushing it).
- Regularly check whether the power cord is damaged or shows signs of ageing.
- If the electric cable is damaged, it must be replaced by an authorized Nilfisk distributor or similar qualified person in order to avoid a hazard.
- In no circumstances should the power supply cord be wrapped around fingers or any part of the operators person.

## 2.2 Hazardous dust

### WARNING



**Hazardous materials.**

Vacuuming up hazardous materials can lead to serious or even fatal injuries. The following materials must not be picked up by the machine:

- hot materials (burning cigarettes, hot ash, etc.)
- flammable, explosive, aggressive liquids (e.g. petrol, solvents, acids, alkalis, etc.)
- flammable, explosive dust (e.g. magnesium or aluminium dust, etc.)

### WARNING



Using the appliance for asbestos abatement work according to German regulation TRGS 519. To pick up materials containing asbestos:

- Dust Class H machines (with type designation VHS 42 HC) can be used for picking up asbestos.
- Use a suction hose with a maximum diameter of 36 mm.

Use the closable plastic sack to ensure dust-free transport of the appliance and contaminated parts (hose, hand pipe, nozzles, etc.). Once the asbestos appliance has been used in an exclusion area as defined in TRGS 519, it should no longer be used in so-called "white" areas. Exceptions are only permitted if the asbestos cleaner has previously been completely decontaminated by a specialist as specified in TRGS 519 No. 2.7 (e.g. not only the outer case but also, for example, the cooling air rooms, the installation rooms for electrical supplies, the supplies themselves, etc.). A written report must be made by a specialist and signed by him. When picking up materials containing asbestos the exhaust air must not be returned into the room. Use the exhaust

air socket and a hose with a length of maximum 4 m and a nominal diameter of minimum 50 mm.

### 2.3 Spare parts and accessories

#### CAUTION



Spare parts and accessories.

The use of non-genuine spare parts, brushes and accessories can impair the safety and or function of the appliance.

Only use original spare parts and accessories from Nilfisk. Spare parts that can affect health and safety of the operator and or function of the appliance, are specified below:

Description		Order No.
Flat filter PTFE, 1 pcs.		107413540
Dust Class H filter, 1 pcs		107413555
Fleece filter bag, 5 pcs.		107413547
Disposal bag, 5 pcs.		107417821
Safety filter bag, 5 pcs.		107413549
Motor cooling air filter PET, 1 pcs.		107413541

### 2.4 In explosive or inflammable atmosphere

#### CAUTION



This machine is not suitable for use in explosive or inflammable atmospheres or where such atmospheres are likely to be produced by the presence of volatile liquid or inflammable gas or vapour.

## 3 Control / Operation

#### CAUTION



Damage due to unsuitable mains voltage.

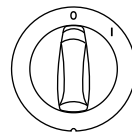
The appliance can be damaged as a result of being connected to an unsuitable mains voltage.

- Ensure that the voltage shown on the rating plate corresponds to the voltage of the local mains power supply.

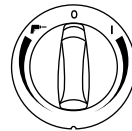
### 3.1 Starting and operating of the machine

Check that the electrical switch is switched off (in position 0). Check that suitable filters are installed in the machine. Then connect the suction hose into the suction inlet at the machine by pushing the hose forward until it fits firmly in place at the inlet. Then connect the tubes with the hose handle, twist the tubes in order to ensure that they are properly fitted. Attach suitable nozzle to the tube. Choose nozzle depending on what type of material that is to be picked-up. If used for dust extraction in connection

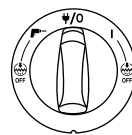
with dust producing tool then connect end of suction hose with appropriate adapter. Check that hose diameter setting corresponds to actual hose diameter. Connect the plug into a proper electrical outlet. Put the electrical switch into position I in order to start the motor.



Turn I: Activate the machine  
Turn 0: Stop the machine



Turn I: Activate the machine – turn clock wise for speed control  
Turn 0: Stop the machine  
Turn : Activate Auto-On/Off operation – turn counterclockwise for speed control



Turn I: Activate the machine  
Turn /0: Stop the machine. Permanent power on socket.  
Turn : Activate Auto-On/Off operation.  
Turn I+ Off: Activate the machine with deactivated automatic filter cleaning function  
Turn + Off: Activate Auto-On/Off operation with deactivated automatic filter cleaning function.  
Speed control operation on separate turning knob

The hose diameter and the setting for suction hose diameter must be the same.

ø21	ø21
ø27	ø27
ø32	ø32
ø36	ø36
ø38	ø38

### 3.2 Auto-On/Off socket outlet for power tools<sup>1)</sup>

#### CAUTION




Appliance socket.\*

The appliance socket is designed for electrical auxiliary equipment; see technical data for reference.


- Prior to plugging in an appliance, always switch off the machine and the appliance that is to be connected.
- Read the operating instructions to the appliance to be connected and observe the safety notes contained in these.

An appliance socket with earthing contact is integrated in the machine. An external power tool can be connected there. The socket features permanent power on<sup>2)</sup>, when the electrical switch is in position

4/0, i.e. the machine can be used as an extension cord.

In position  the machine can be switched on and off by the power tool connected. Dirt is picked up from the source of dust immediately. To comply with regulations, only approved dust producing tools should be connected.

The maximum power consumption of the connected electrical appliance is stated in section "Specifications".

Before turning the switch to position  ensure that the tool connected to the appliance socket is switched off.

### 3.3 Push&Clean<sup>1)</sup>

The "PC" machine is equipped with a semi automatic filter cleaning system, Push&Clean. The filter cleaning system must be actuated latest when the suction performance is no longer sufficient. Regular use of the filter cleaning feature maintains suction performance and increases the lifetime of the filter. For instruction see quick reference guide.

### 3.4 InfiniClean<sup>1)</sup>

The "IC" machine is equipped with an automatic filter cleaning system, InfiniClean. A frequent cleaning cycle will automatically run during operation to ensure that suction performance is always at its best.

If suction performance decreases or in extensive dust applications a manually filter cleaning operation is recommended:

- Switch off the machine
- Close the nozzles or suction hose opening with the palm of your hand.
- Turn the switch to position „I“ and let the machine operate at full speed for approx. 10 seconds with the suction hose opening closed.

If suction power is still reduced take out the filter and clean mechanically or replace filter.

For certain applications, like wet pick up, it is recommended to turn off the automatic filter cleaning system. For details see chapter 3.1.

### 3.5 Flow rate warning

#### CAUTION



Check that all the filters are present and properly fitted.

The machine is equipped with a system to monitor air velocity and Dust Class H filter condition<sup>2)</sup>. Before picking up dust with occupational exposure limit values, check the volume flow monitor.

When the motor is running, hold the suction hose shut to reduce the volume flow. The LED indicator on front panel will light after approx. 1 second. The acoustic warning sounds after some additional seconds.

Set the diameter setting to the actual hose size.



When LED indicator lights, air velocity is below 20 m/s.

- check if container or filter bag is full.
- check if air flow is reduced in suction hose, tube/nozzle, filter.



When LED indicator lights, Dust Class H or HEPA filter is missing, damaged or clogged. The filter needs to be installed or replaced to obtain needed air flow.

### 3.6 Antistatic connection<sup>1)</sup>

#### CAUTION



The machine is equipped with an antistatic system to discharge any static electricity that may develop during dust pick-up.

The antistatic system is placed in front part of the motor top and creates an earth ground connection to the inlet fitting of the container. For proper function the use of an electrical conductive or antistatic suction hose is recommended. When inserting the optional disposal bag make sure the antistatic connection is kept.

### 3.7 Cooling air filter

To protect the electronics and motor, the machine is equipped with a cooling air diffusor. Clean the cooling air diffusor regularly.

For areas with a high concentration of fine dust in the surrounding air it is recommended to equip the machine with an optional cooling air filter cartridge to prevent dust from settling inside the air channels and motor. Contact your local sales representative.

#### CAUTION



If cooling air filter is clogged by dust the overload protection switch in the motor can be activated. In such case switch off the machine, clean cooling air filter and allow machine to cool for approx. 5 minutes.

### 3.8 Wet pick-up

#### CAUTION



The machine is equipped with a water level limit system which shuts off the machine when the maximum liquid level is reached.

When this occurs, switch off the machine. Disconnect the machine from the socket and empty the container. Never pick up liquids without the water level limit system and filter in place.

Picking up liquids.

- Do not pick up flammable liquids
- Before liquids are picked up, always remove the filter bag/wastebag and check that the water level limit works properly.
- If foam appears, stop work immediately and empty the tank.



- Clean the water level limiting device regularly and check for signs of damage.

Before emptying the container, unplug the machine. Disconnect the hose from the inlet by pulling out the hose. Release the latch by pulling them outwards so that the motor top is released. Lift up the motor top from container. Always empty and clean the container and water level limit system after picking-up liquids.

Empty by tilting the container backwards or sideways and pour the liquids into a floor drain or similar. Put back the motor top to the container. Secure the motor top with the latches.

Heavy maneuvers can, by mistake, trigger the water level limiting device. Should this happen; turn off the machine and wait for 3 seconds to reset the device. Continue to operate the machine afterwards.

### 3.9 Dry pick-up

#### CAUTION



Picking up environmentally hazardous materials.

Materials picked up can present a hazard to the environment.

- Dispose of the dirt in accordance with legal regulations.

#### CAUTION<sup>1)</sup>



Dust Class H machines are equipped with an upstream Dust Class H filter fitted on bottom side of motor top under a guard cover.

Check that filter guard cover and sealing are safety installed and without damage and that the filter is properly fitted.

A LED indicator will light if the filter needs to be replaced, or if the filter is missing, mounted incorrectly or damaged.

Remove the electrical plug from the socket before emptying after dry pick-up. Remove the suction hose from the machine and close the inlet cap, to avoid harmful dust spreading. Release the latch by pulling them outwards so that the motor top is released. Lift up the motor top from container.

**Main Filter:** check the filter. To clean the filter you can either brush or wash it. Wait until the filter is dry before re-starting dust pick-up.

**Essential Filter Dust Class H:** check the filter. Replace filter if necessary. Wear mask and protective clothing.

**Dustbag:** check bag to ensure the fill factor. Replace dust bag if necessary. Remove the old bag. The new bag is fitted by passing the cardboard piece with the rubber membrane through the vacuum inlet. Make sure that the rubber membrane is passing past the heightening at the vacuum inlet.

**Safety filter bag:** check bag to ensure the fill factor. Replace dust bag if necessary. Wear mask and protective clothing when removing the old bag. Carefully

remove the dust bag connection from the inlet fitting. Close the dust bag connection with the slide. Dispose of the dirt in accordance with legal regulations.

**After emptying:** close motor top to the container and secure the motor top with the latches. Never pick up dry material without filter fitted in the machine. The suction efficiency of the machine depends on the size and quality of the filter and dust bag. Therefore - use only Original filter and dust bags.

## 4 After using the machine

### 4.1 After use

After picking up hazardous dust, close the inlet cap and clean the outside of the machine.

Remove the plug from the socket when machine is not in use. Wind up the cord starting from the machine. The power cord can be wound up around the motor top or at the container or placed in the included hook, or fastening means. Some variants have special storage places for accessories.

### 4.2 Transport

- Before transporting the machine, close all the latches.
- Close the inlet with the inlet cap.
- Do not tilt the machine if there are liquids in the dirt tank.
- Do not use a crane hook to lift the machine.
- Do not lift the machine by the trolley handle \*)

### 4.3 Storage

#### CAUTION



Store the appliance in a dry place, protected from rain and frost. The machine shall be stored indoors only. Wet filters and the interior part of the liquid container shall be dried before storage.

### 4.4 Accessory and tool storage

For convenient transport and storage of accessories or tools, integrated rails are found on side of machine which allows fastening with straps or other means. A flexible strap and hooks are included on back of machine for attachment of suction hose or mains cable. For instruction see quick reference guide.

An optional adapter plate<sup>2)</sup> with attachment system can be installed on top of machine for fastening of 2-point or 4-point storage cases.

Remove the electrical plug from the socket before installing the adapter plate.

#### CAUTION<sup>2)</sup>



Do not lift machine in adapter plate without having storage case safely installed. Note the weight and balance of the appliance in case of storage. Maximum weight of storage cases is 30 kg.

## 4.5 Recycling the machine

Make the old machine unusable.

1. Unplug the machine.
2. Cut the power cord.
3. Do not discard of electrical appliances with household waste.



As specified in European Directive 2012/19/EU on old electrical and electronic appliances, used electrical goods must be collected separately and recycled ecologically.

## 5 Maintenance

### 5.1 Regular servicing and inspection

Regular servicing and inspection of your machine must be carried out by suitably qualified personnel in accordance with relevant legislation and regulations. In particular, electrical tests for earth continuity, insulation resistance, and condition of the flexible cord should be checked frequently.

In the event of any defect, the machine **MUST** be withdrawn from service, completely checked and repaired by an authorized service technician.

At least once a year, a Nilfisk technician or an instructed person must perform a technical inspection including filters, air tightness and control mechanisms. Appliances in Dust Class H must have their filtration efficiency checked once a year. The result must be presented upon request. If the efficiency of the filter does not fulfil the requirements for Dust Class H, the filter must be replaced.

### 5.2 Maintenance

Remove the plug from the socket before performing maintenance. Before using the machine make sure that the frequency and voltage shown on the rating plate correspond with the mains voltage.

The machine is designed for continuous heavy work. Depending on the number of running hours – the dust filter should be renewed. Keep the machine clean with a dry cloth, and a small amount of spray polish.

During maintenance and cleaning, handle the machine in such a manner that there is no danger for maintenance staff or other persons.

In the maintenance area

- Use filtered compulsory ventilation
- Wear protective clothing
- Clean the maintenance area so that no harmful substances get into the surroundings.

### CAUTION

In the case of asbestos abatement wear additional single-use clothing. Wear a P2 breathing mask.

Before removing the machine from the area contaminated with harmful substances:

Clean the outside of the machine, wipe it clean or

pack the machine in well sealed packaging and avoid spreading deposited harmful dust.

After use, in asbestos contaminated areas, the machine must be cleaned by an authorised person according to TRGS 519.

During maintenance and repair work all contaminated parts that could not be cleaned satisfactorily must be:

- Packed in well sealed bags
- Disposed of in a manner that complies with valid regulations for such waste removal.

For details of after sales service contact your dealer or Nilfisk service representative responsible for your country. See reverse of this document.

## 6 Further information

### 6.1 Specifications

	VHS 42 MC, VHS 42 HC					
	EU, FR			AU		
	VHS 42 L30 MC PC	VHS 42 L40 MC IC	VHS 42 L30 HC PC	VHS 42 L40 HC IC	VHS 42 L30 HC PC	VHS 42 L40 HC IC
Possible voltage	V	220-240	220-240	220-240	220-240	220-240
Power P <sub>IEC</sub>	W	1200	1200	1195	1195	1195
Connected load for appliance socket	W	2400	2400	2400	1100	1100
Mains frequency	Hz	50/60	50/60	50/60	50/60	50/60
Fuse	A	16	16	16	10	10
Protection grade (moist, dust)	IPX4					
Protection class (electrical)	I					
Max. Airflow *	l/s m <sup>3</sup> /h CFM	75 270 159				
Max. Vacuum	kPa hPa in <sub>H<sub>2</sub>O</sub>	25 250 100				
Sound pressure level L <sub>PA</sub> (IEC 60335-2-69)	dB(A)	69 ± 2				
Working sound level	dB(A)	60 ± 2				
Vibration ISO 5349 a <sub>h</sub>	m/s <sup>2</sup>	≤ 2,5				
Weight	kg lb	14,5 31,9	16 35,3	14,5 31,9	16 35,3	16 35,3
Filter surface area	m <sup>2</sup>	0,5				
Dust class	M	M	H	H	M	H

\* measured at turbine  
Specifications and details are subject to change without prior notice.

**Declaration of Conformity**

Prohlášení o shodě  
 Konformitätserklärung  
 Overensstemmelseserklæring  
 Declaración de conformidad  
 Vastavusdeklaratsioon  
 Déclaration de conformité  
 Vaatimustenmukaisuusvakuutus

Декларация за съответствие  
 Δήλωση συμμόρφωσης  
 Megfelelősségi nyilatkozat  
 Izjava o skladnosti  
 Dichiarazione di conformità  
 Atitikties deklaracija  
 Atbilstības deklarācija  
 Samsvarserklæring  
 Conformiteitsverklaring

Declaração de conformidade  
 Deklaracija zgodności  
 Declaratie de conformitate  
 Декларация о соответствии  
 Försäkran om överensstämmelse  
 Vyhlášení o zhode  
 Izjava o skladnosti  
 Uygunluk beyanı

**Manufacturer / Výrobce / Hersteller / Fabrikant /**  
 Fabricante / Κατασκευαστής / Gyártó / Proizvođač /  
 Fabbriante / Gamintojas / Ražotājs / Prodesent /  
 Fabrikant / Fabricante / Producent / Producător /  
 производитель / Tillverkaren / Výrobca / Proizvajalec /  
 Üretici firma:

**Nilfisk A/S, Kornmarksvej 1**  
**DK-2605 Broendby, DENMARK**

Product / Produkt / Producto, Toode, Produit, Tuote/  
 Продукт / Προϊόν / Termék / Proizvod / Prodotto /  
 Produktas / Produkts / Artikel / Produtos / Produis /  
 Izdelek / Ürün

**VHS 42 L30/L40 MC/HC PC/IC**

Description / Popis / Beschreibung / Beskrivelse /  
 Descripción / Kirjeldus / La description / Kuvaus /  
 Описание / Περιγραφή / Leirás / Opis / Descrizione /  
 Aprašymas / Apraksts / Beschrijving / Descrição /  
 Descriere / Beskrivning / Popis / Açıklama

**VAC - Commercial - Wet/Dry**  
**220-240V 50-60Hz, IPX4**

**EN**

**We, Nilfisk hereby declare under our sole responsibility, that the above-mentioned product(s) is/are in conformity with the following directives and standards.**

**LT**

Mes, "Nilfisk pareiškiu vienašališkos atsakomybės, kad pirmiau minėtas produktas atitinka šias direktyvas ir standartu

**CS**

My, Nilfisk prohlašujeme na svou výlučnou odpovědnost, že výše uvedený výrobek je ve shodě s následujícími směrnici a normami.

**LV**

Mēs, Nilfisk šo apliecinu ar pilnu atbildību, ka iepriekš minētais produkts atbilst šādām direktīvām un standartie

**DE**

Wir, Nilfisk erklären in alleiniger Verantwortung, dass das oben genannte Produkt den folgenden Richtlinien und Normen entspricht.

**NO**

Vi, Nilfisk erklærer herved under eget ansvar, at det ovennevnte produktet er i samsvar med følgende direktiver og standarder

**DA**

Vi, Nilfisk erklærer hermed under eget ansvar at ovennævnte produkt(er) er i overensstemmelse med følgende direktiver og standarder.

**NL**

We verklaren Nilfisk hierbij op eigen verantwoordelijkheid, dat het bovengenoemde product voldoet aan de volgende richtlijnen en normen

**ES**

Nosotros, Nilfisk declaramos bajo nuestra única responsabilidad que el producto antes mencionado está en conformidad con las siguientes directivas y normas

**PT**

Nós, a Nilfisk declaramos, sob nossa exclusiva responsabilidade, que o produto acima mencionado está em conformidade com as diretrizes e normas a seguir

**ET**

Meie, Nilfisk Käesolevaga kinnitame ja kanname ainuisikulist vastutust, et eespool

**PL**

My, Nilfisk Niniejszym oświadczamy z pełną odpowiedzialnością, że wyżej wymieniony

FR

nimetatud toode on kooskõlas järgmiste direktiivide ja  
Nilfisk déclare sous notre seule responsabilité  
que le produit mentionné ci-dessus est  
conforme aux directives et normes suivantes.

FI

Me, Nilfisk täten vakuutamme omalla  
vastuulla, että edellä mainittu tuote on  
yhdenmukainen seuraavien direktiivien ja  
standardien mukaisesti

BG

Ние, Nilfisk С настоящото декларираме на  
своя лична отговорност, че посочените по-  
горе продуктът е в съответствие със  
следните директиви и стандарти.

EL

Εμείς, Nilfisk δηλώνουμε με αποκλειστική μας  
ευθύνη, ότι το προαναφερόμενο προϊόν  
συμμορφώνεται με τις ακόλουθες οδηγίες και  
πρότυπα.

HU

Mi, Nilfisk Kijelentjük, egyedüli felelősséggel,  
hogy a fent említett termék megfelel az alábbi  
irányelveknek és szabványoknak

HR

Mi, Nilfisk Izjavljujemo pod punom  
odgovornošću, da gore navedeni proizvod u  
skladu sa sljedećim direktivama i standardima.

IT

Noi, Nilfisk dichiara sotto la propria  
responsabilità, che il prodotto di cui sopra è  
conforme alle seguenti direttive e norme.

RO

produkt jest zgodny z następującymi  
dyrektywami i normami..

Noi, Nilfisk Prin prezenta declarăm pe propria  
răspundere, că produsul mai sus menționat  
este în conformitate cu următoarele  
standarde și directive

RU

Мы, Nilfisk настоящим заявляем под нашу  
полную ответственность, что  
вышеперечисленные

продукция соответствует следующими  
директивам и стандартам.

SV

Vi Nilfisk förklarar härmed under eget ansvar  
att ovan nämnda produkt överensstämmer  
med följande direktiv och normer.

SK

My, Nilfisk prehlasujeme na svoju výlučnú  
zodpovednosť, že vyššie uvedený výrobok je  
v zhode s nasledujúcimi smernicami a  
normami.

SL

Mi, Nilfisk izjavljamo s polno odgovornostjo,  
da je zgoraj omenjeni izdelek v skladu z  
naslednjimi smernicami in standardi.

TR

Nilfisk, burada yer alan tüm  
sorumluluklarımıza göre, yukarıda belirtilen  
ürünün aşağıdaki direktifler ve standartlara  
uygun olduğunu beyan ederiz.

2006/42/EC

EN 60335-1:2012+A11:2014+A13:2017  
EN 60335-2-69:2012

2014/30/EU

EN 55014-1:2006+A1:2009+A2:2011  
EN 55014-2:2015  
EN 61000-3-2:2014  
EN 61000-3-3:2013

2011/65/EU

EN 63000:2018

Authorized signatory:

Pierre Mikaelsson, Executive Vice President, Global Products &  
Services, Nilfisk NLT

June 12, 2020





## HEAD QUARTER

### DENMARK

Nilfisk A/S  
Kornmarksvej 1  
DK-2605 Brøndby  
Tel.: (+45) 4323 8100  
www.nilfisk.com

## SALES COMPANIES

### ARGENTINA

Nilfisk srl.  
Edificio Central Park  
Herrera 1855, 6th floor/604  
Ciudad de Buenos Aires  
Tel.: (+54) 11 6091 1571  
www.nilfisk.com.ar

### AUSTRALIA

Nilfisk Pty Ltd  
Unit 1/13 Bessemer Street  
Blacktown NSW 2148  
Tel.: (+61) 2 98348100  
www.nilfisk.com.au

### AUSTRIA

Nilfisk GmbH  
Metzgerstrasse 68  
5101 Bergheim bei Salzburg  
Tel.: (+43) 662 456 400 90  
www.nilfisk.at

### BELGIUM

Nilfisk n.v.-s.a.  
Riverside Business Park  
Boulevard Internationelelaan 55  
Bâtiment C3/C4 Gebouw  
Bruxelles 1070  
Tel.: (+32) 24 67 60 50  
www.nilfisk.be

### BRAZIL

Nilfisk do Brasil  
Av. Eng. Luis Carlos Berrini, 550  
40 Andar, Sala 03  
SP - 04571-000 Sao Paulo  
Tel.: (+11) 3959-0300 / 3945-4744  
www.nilfisk.com.br

### CANADA

Nilfisk Canada Company  
240 Superior Boulevard  
Mississauga, Ontario L5T 2L2  
Tel.: (+1) 800-668-8400  
www.nilfisk.ca

### CHILE

Nilfisk S.A. (Comercial KCS Ltda)  
Salar de Llamara 822  
8320000 Santiago  
Tel.: (+56) 2684 5000  
www.nilfisk.cl

### CHINA

Nilfisk  
4189 Yindu Road  
Xinzhuang Industrial Park  
201108 Shanghai  
Tel.: (+86) 21 3323 2000  
www.nilfisk.cn

### CZECH REPUBLIC

Nilfisk s.r.o.  
VGP Park Horní Počernice  
Do Čertous 1/2658  
193 00 Praha 9  
Tel.: (+420) 244 090 912  
www.nilfisk.cz

### DENMARK

Nilfisk Danmark A/S  
Industrivej 1  
Hadsund, DK-9560  
Tel.: 72 18 21 20  
www.nilfisk.dk

### FINLAND

Nilfisk Oy Ab  
Koskelontie 23 E  
02920 Espoo  
Tel.: (+358) 207 890 600  
www.nilfisk.fi

### FRANCE

Nilfisk SAS  
26 Avenue de la Baltique  
Villebon sur Yvette  
91978 Courtabouef Cedex  
Tel.: (+33) 169 59 87 00  
www.nilfisk.fr

### GERMANY

Nilfisk GmbH  
Guido-Oberdorfer-Straße 2-10  
89287 Bellenberg  
Tel.: (+49) (0)7306/72-444  
www.nilfisk.de

### GREECE

Nilfisk A.E.  
Αναπαύσεως 29  
Κορωπί T.K. 194 00  
Tel.: (30) 210 9119 600  
www.nilfisk.gr

### HOLLAND

Nilfisk B.V.  
Versterkerstraat 5  
1322 AN Almere  
Tel.: (+31) 036 5460760  
www.nilfisk.nl

### HONG KONG

Nilfisk Ltd.  
2001 HK Worsted Mills  
Industrial Building  
31-39, Wo Tong Tsui St.  
Kwai Chung, N.T.  
Tel.: (+852) 2427 5951  
www.nilfisk.com

### HUNGARY

Nilfisk Kft.  
II. Rákóczi Ferenc út 10  
2310 Szigetszentmiklós-Lakihegy  
Tel.: (+36) 24 475 550  
www.nilfisk.hu

### INDIA

Nilfisk India Limited  
Pramukh Plaza, 'B' Wing, 4th floor, Unit  
No. 403  
Cardinal Gracious Road, Chakala  
Andheri (East) Mumbai 400 099  
Tel.: (+91) 22 6118 8188  
www.nilfisk.in

### IRELAND

Nilfisk  
1 Stokes Place  
St. Stephen's Green  
Dublin 2  
Tel.: (+35) 3 12 94 38 38  
www.nilfisk.ie

### ITALY

Nilfisk SpA  
Strada Comunale della Braglia, 18  
26862 Guardamiglio (LO)  
Tel.: (+39) (0) 377 414021  
www.nilfisk.it

### JAPAN

Nilfisk Inc.  
1-6-6 Kita-shinyokohama, Kouhoku-ku  
Yokohama, 223-0059  
Tel.: (+81) 45548 2571  
www.nilfisk.com

### MALAYSIA

Nilfisk Sdn Bhd  
Sd 33, Jalan KIP 10  
Taman Perindustrian KIP  
Sri Damansara  
52200 Kuala Lumpur  
Tel.: (60) 3603 627 43 120  
www.nilfisk.com

### MEXICO

Nilfisk de Mexico, S. de R.L. de C.V.  
Pirineos #515 Int.  
60-70 Microparque  
Industrial WSantiago  
76120 Queretaro  
Tel.: (+52) (442) 427 77 00  
www.nilfisk.com

### NEW ZEALAND

Nilfisk Limited  
Suite F, Building E  
42 Tawa Drive  
0632 Albany Auckland  
Tel.: (+64) 9 414 1996  
Website: www.nilfisk.com

### NORWAY

Nilfisk AS  
Bjørnerudveien 24  
1266 Oslo  
Tel.: (+47) 22 75 17 80  
www.nilfisk.no

### PERU

Nilfisk S.A.C.  
Calle Boulevard 162, Of. 703, Lima 33-  
Perú  
Lima  
Tel.: (511) 435-6840  
www.nilfisk.com

### POLAND

Nilfisk Sp. Z.O.O.  
Millenium Logistic Park  
ul. 3 Maja 8, Bud. B4  
05-800 Pruszków  
Tel.: (+48) 22 738 3750  
www.nilfisk.pl

### PORTUGAL

Nilfisk Lda.  
Sintra Business Park  
Zona Industrial Da Abrunheira  
Edificio 1, 1º A  
P2710-089 Sintra  
Tel.: (+351) 21 911 2670  
www.nilfisk.pt

### RUSSIA

Nilfisk LLC  
Vyatskaya str. 27, bld. 7/1st  
127015 Moscow  
Tel.: (+7) 495 783 9602  
www.nilfisk.ru

### SINGAPORE

Den-Sin  
22 Tuas Avenue 2  
639453 Singapore  
Tel.: (+65) 6268 1006  
www.densin.com

### SLOVAKIA

Nilfisk s.r.o.  
Bancíkovej 1/A  
SK-821 03 Bratislava  
Tel.: (+421) 910 222 928  
www.nilfisk.sk

### SOUTH AFRICA

Nilfisk (Pty) Ltd  
Kimbult Office Park  
9 Zeiss Road  
Laser Park  
Honeydew  
Johannesburg  
Tel: +27118014600  
www.nilfisk.co.za

### SOUTH KOREA

Nilfisk Korea  
#204 2F Seoulsup Kolon Digital Tower  
25 Seongsuil-ro 4-gil, Seongdong-gu  
Seoul.  
Tel.: (+ 82) 2 3474 4141  
www.nilfisk.co.kr

### SPAIN

Nilfisk S.A.  
Torre d'Ara,  
Passeig del Rengle, 5 Plta. 10ª  
08302 Mataró  
Tel.: (34) 93 741 2400  
www.nilfisk.es

### SWEDEN

Nilfisk AB  
Taljegårdsgatan 4  
431 53 Mölndal  
Tel.: (+46) 31 706 73 00  
www.nilfisk.se

### SWITZERLAND

Nilfisk AG  
Ringstrasse 19  
Kircheberg/Industri Stelz  
9500 Wil  
Tel.: (+41) 71 92 38 444  
www.nilfisk.ch

### TAIWAN

Nilfisk Ltd  
Taiwan Branch (H.K)  
No. 5, Wan Fang Road  
Taipei  
Tel.: (+88) 6227 00 22 68  
www.nilfisk.tw

### THAILAND

Nilfisk Co. Ltd.  
89 Soi Chokechai-Ruammitr  
Viphavadee-Rangsit Road  
Ladyao, Jatuchak, Bangkok 10900  
Tel.: (+66) 2275 5630  
www.nilfisk.co.th

### TURKEY

Nilfisk A.S.  
Serifali Mh. Bayraktar Bulv. Sehit Sk. No:7  
Ümraniye, 34775 Istanbul  
Tel.: +90 216 466 94 94  
www.nilfisk.com.tr

### UNITED ARAB EMIRATES

Nilfisk Middle East Branch  
SAIF-Zone  
P.O. Box 122298  
Sharjah  
Tel.: (+971) (0) 655-78813  
www.nilfisk.com

### UNITED KINGDOM

Nilfisk Ltd.  
Nilfisk House, Bowerbank Way  
Gilwilly Industrial Estate, Penrith  
Cumbria CA11 9BQ  
Tel.: (+44) (0) 1768 868995  
www.nilfisk.co.uk

### UNITED STATES

Nilfisk, Inc.  
9435 Winnetka Ave N,  
Brooklyn Park  
MN- 55445  
www.nilfisk.com

### VIETNAM

Nilfisk Vietnam  
No. 51 Doc Ngu Str.  
P. Vinh Phúc, Q.Ba Dinh  
Hanoi  
Tel.: (+84) 761 5642  
www.nilfisk.com