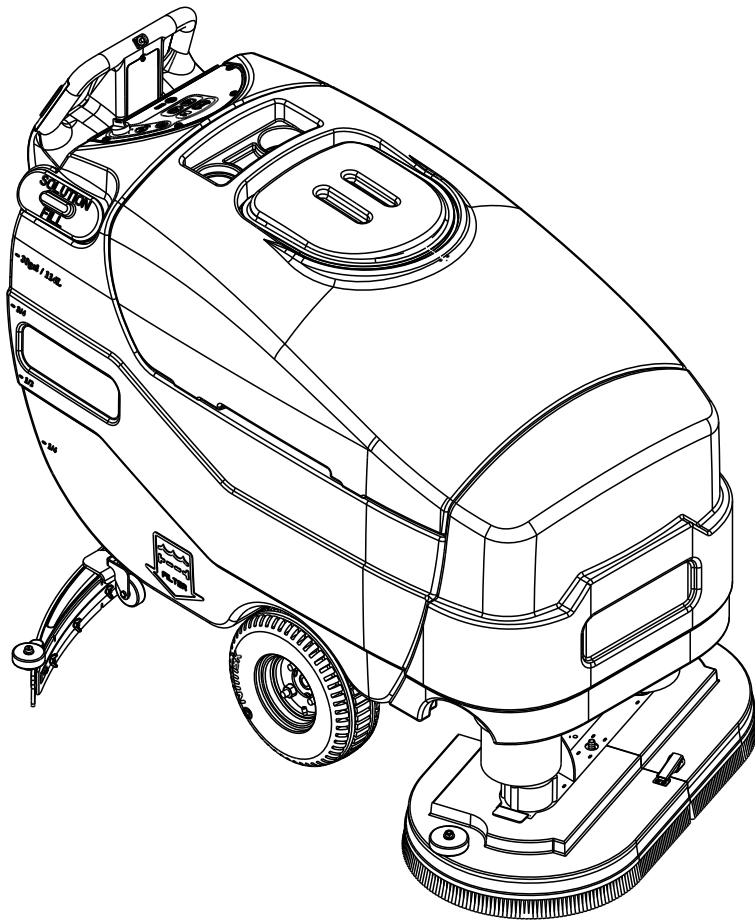


SCRUBTEC 985



Nilfisk
ALTO
Why Compromise

PARTS LIST
Model 56381796

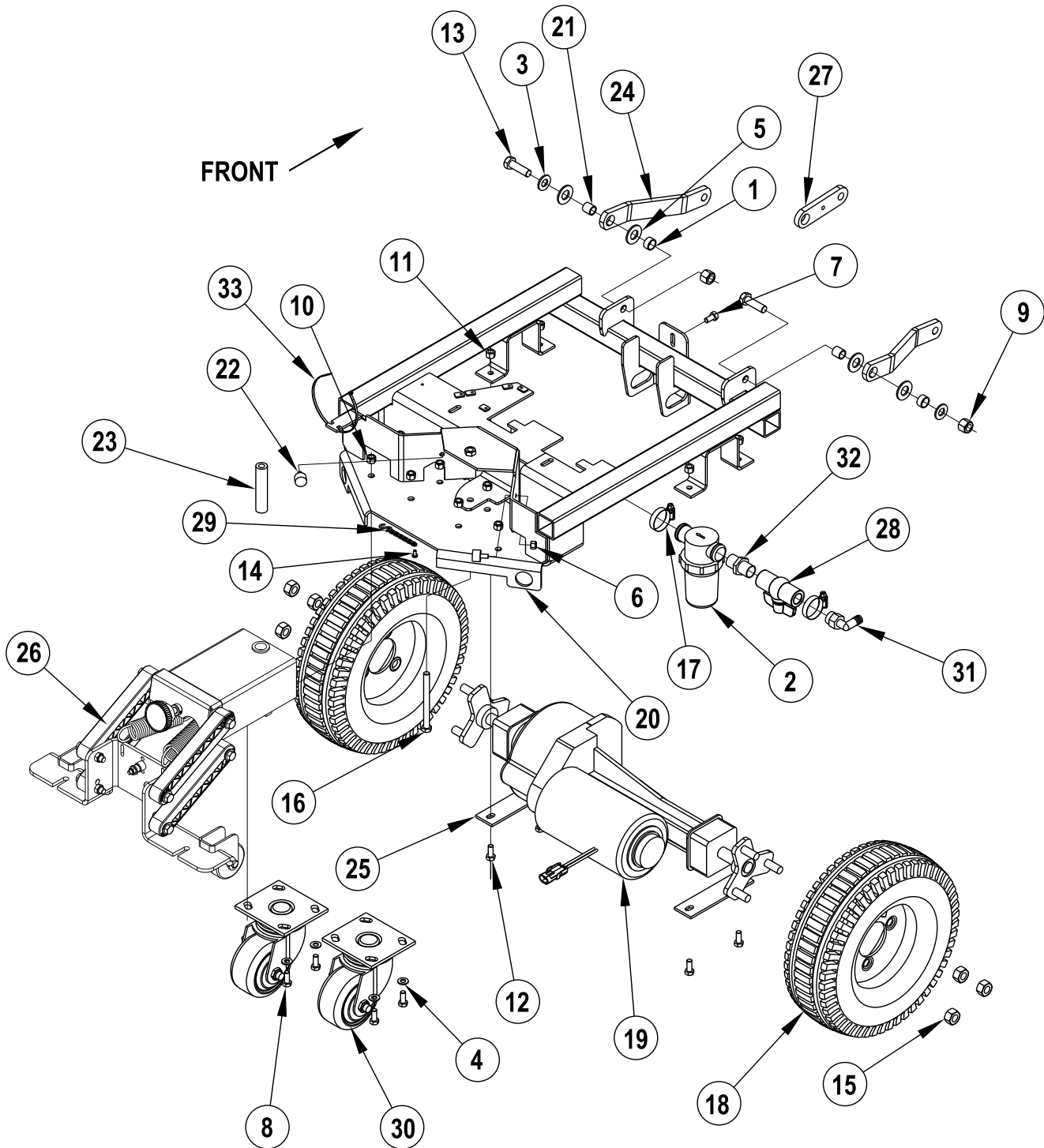
DESCRIPTION	PAGE
Chassis System	2-3
Chassis System (Squeegee Linkage Assy)	4-5
Decal System.....	6-7
Recovery System.....	8-9
Scrub System	10-11
Solution / Electrical System	12-15
Handle Assembly	16-17
Squeegee Assembly	18-19
Wiring Diagram	20-21
Optional Kits & Accessories.....	22
Brush Selector Guide-Disk	23

WHEN ORDERING PARTS

- * Use the part numbers from the "Ref. No." columns in this parts list.
- * Specify the model and serial number of the machine.
- * Use the space below to record the model and serial number for future reference.

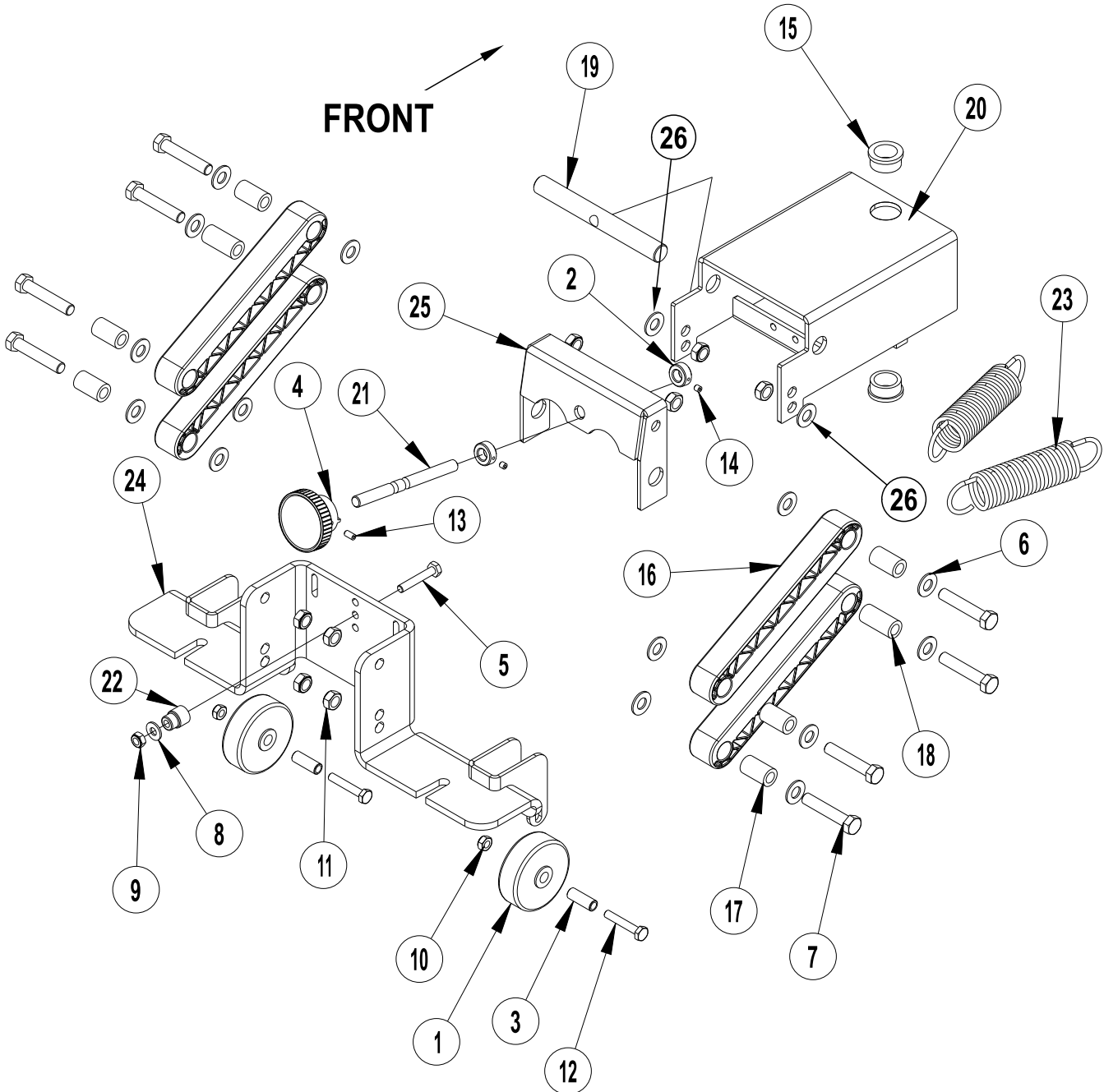
Model _____

Serial No. _____

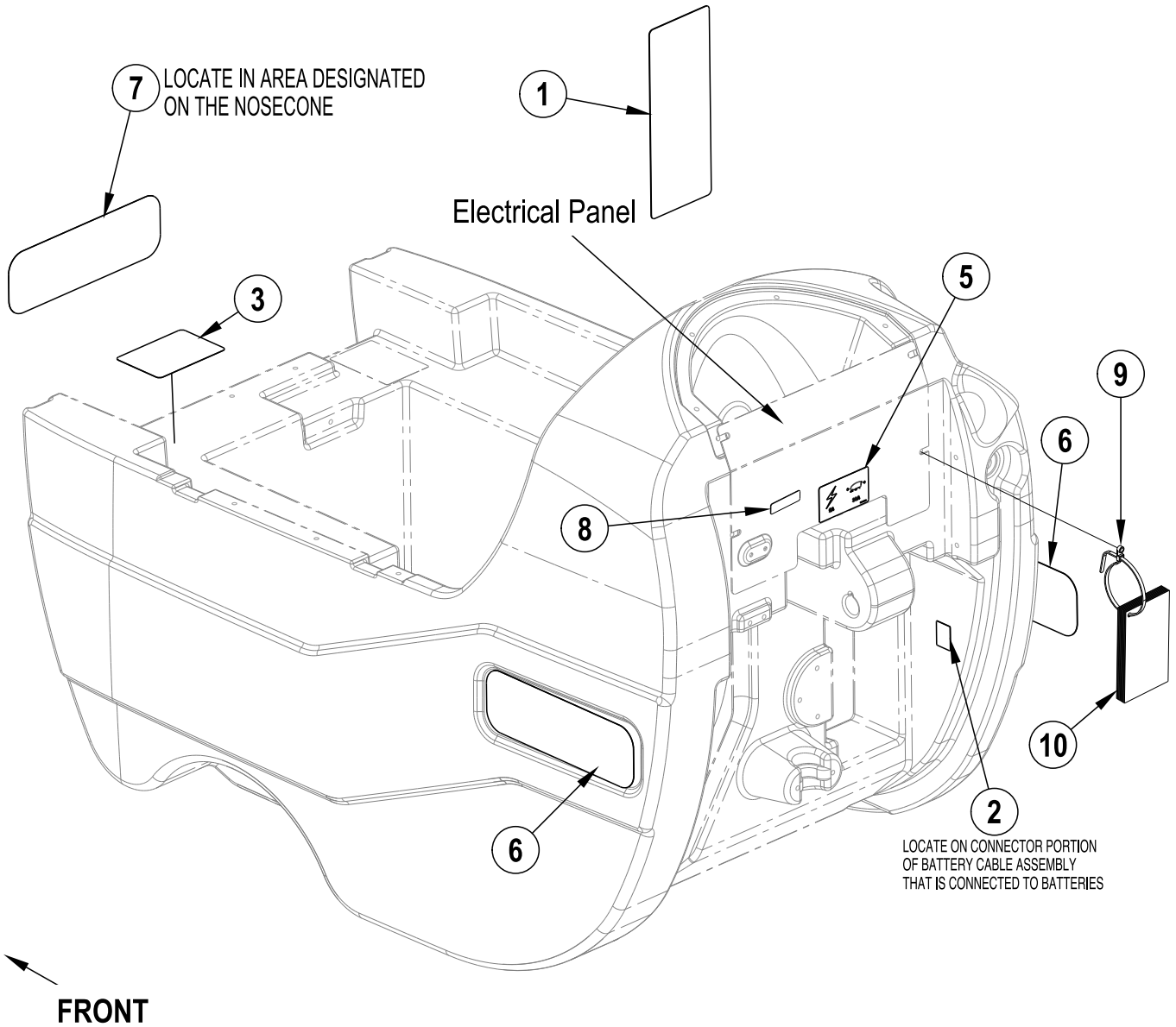


Item	Ref. No.	Qty	Description
1	56370878	2	Bearing, Sleeve
2	56412173	1	Solution Filter
3	56001879	2	Wsh, Flt SAE 1/2
4	56001939	10	Wsh, Flt SAE 5/16
5	56002022	4	Wsh, Flt SAE 5/8
6	56002708	2	Nut, Hex Nyl Loc 1/4-20
7	56003012	3	Scr, Hex SS 5/16-18 X .75
8	56003179	8	Scr, Hex Thd To Hd M8-1.25 X 20mm
9	56003312	2	Nut, Hex Nyl Loc M12-1.75
10	56003389	8	Nut, Hex Nyl Loc M8-1.25
11	56003405	4	Nut, Hex Nyl Loc SS M8-1.25
12	56003435	4	Scr, Hex SS M8-1.25 X 20mm
13	56003637	2	Scr, Hex M12-1.75 X 40mm
14	56009030	1	Scr, Pan Phil Thd Form 10-24 X .38
15	56009116	6	Nut, Hex Hvy 1/2-20
16	56009241	1	Scr, Hex 3/8-16 X 4.25
17	56131601	2	Clamp, Hose SAE #16
18	56315118	2	Wheel, Drive
	909 621 9000	2	Wheel, Polyurethane-Traction (optional)
19	56315063	1	Transaxle, 36v (M1)
[]	56315676	1	Motor
[]	56315677	4	Carbon Brush
[]	56315678	2	Neoprene Mounting Sleeve
[]	56380511	A/R	Kit-Hub Transaxle 36V
[]	56380161	1	Kit-Coupling
20	56315073	1	Weldment, Chassis
21	56315080	2	Bushing
22	56315111	2	Cylindrical Mount
23	56315154	1	Bushing, Spacer
24	56315918	2	Linkage Arm
25	56315202	2	Plate, Transaxle Mount
26	56315210	1	Assembly, Squeegee Linkage Large
27	56315239	1	Linkage Arm,
28	56315607	1	Ball Valve
29	56315691	1	Ground Chain
30	56365555	2	Caster Swivel 4.0x2.0
31	56409152	1	Barb, 90 Elbow 1/2 X 1/2npt
32	56412182	1	Nipple, Hex 3/4-14
33	56478523	1	Tie, Cable

[] = Not Shown

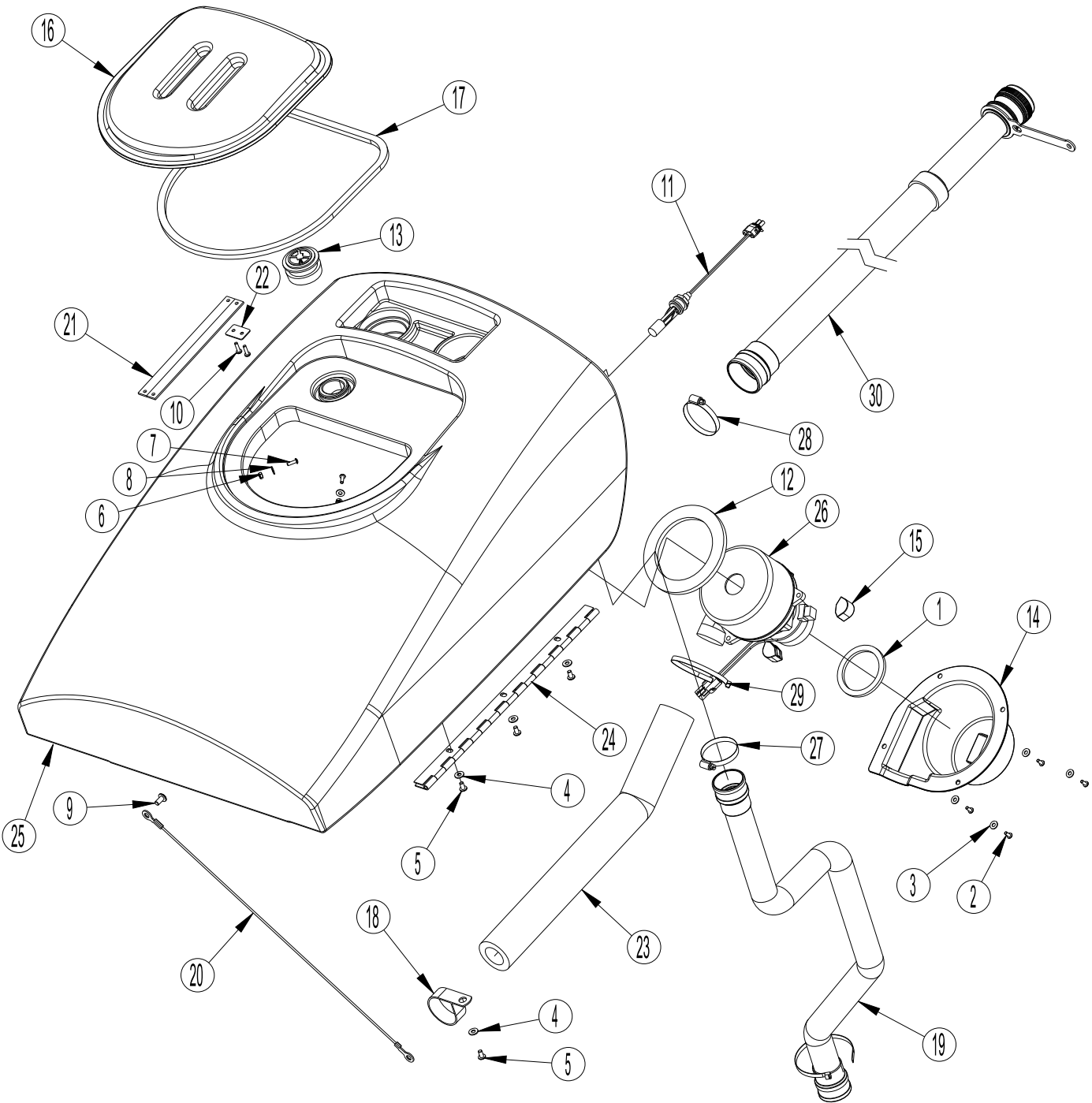


Item	Ref. No.	Qty	Description
	56315210	1	Squeegee Linkage Assembly
1	56324350	2	Wheel
2	56331076	2	Collar
3	56315580	2	Bushing
4	56475480	1	Knob
5	56001833	1	Scr, Hex 1/4-20 X 1.50
6	56002063	14	Wsh, Flt SAE 3/8
7	56002091	8	Scr, Hex 3/8-16 X 2.00
8	56002098	1	Wsh, Flt SAE 1/4
9	56002840	1	Nut, Hex Nyl Loc-Thin 1/4-20
10	56002850	2	Nut, Hex Nyl Loc-Thin SS 1/4-20
11	56002852	8	Nut, Hex Nyl Loc-Thin SS 3/8-16
12	56002880	2	Scr, Hex SS 1/4-20 X 1.75
13	56003123	1	Scr, Soc Set 10-2 4x .38
14	56009084	2	Scr, Soc Set Loc 10-24 X .19
15	56250414	2	Bearing, Flange
16	56315941	4	Linkage Arm, Molded
17	56315067	6	Spacer, Phenolic
18	56315068	2	Spacer, Phenolic
19	56315082	1	Pin
20	56315208	1	Weldment, Squeegee Large
21	56315240	1	Rod, Adjustment
22	56315245	1	Bushing, Squeegee Cable
23	56315295	2	Spring, Extension
24	56315698	1	Weldment, Squeegee Mount
25	56315713	1	Bracket, Squeegee Level
26	56002940	2	Wsh, Flt SAE SS 5/8



DECAL SYSTEM**SCRUBTEC 985**

Item	Ref. No.	Qty	Description
1	56014601	1	Decal, Caution
2	56016324	1	Decal, Charger
3	56380514	1	Decal, Battery Wiring
5	56016690	1	Decal, Circuit Breaker
6	56381798	2	Decal-Scrubtec 985
7	56381797	1	Decal-Nilfisk Alto
8	56014450	1	Decal, Patent Number
9	2-00-04937	1	Hose Tie W/Eyelet
10	L3018A	1	Instruction Booklet

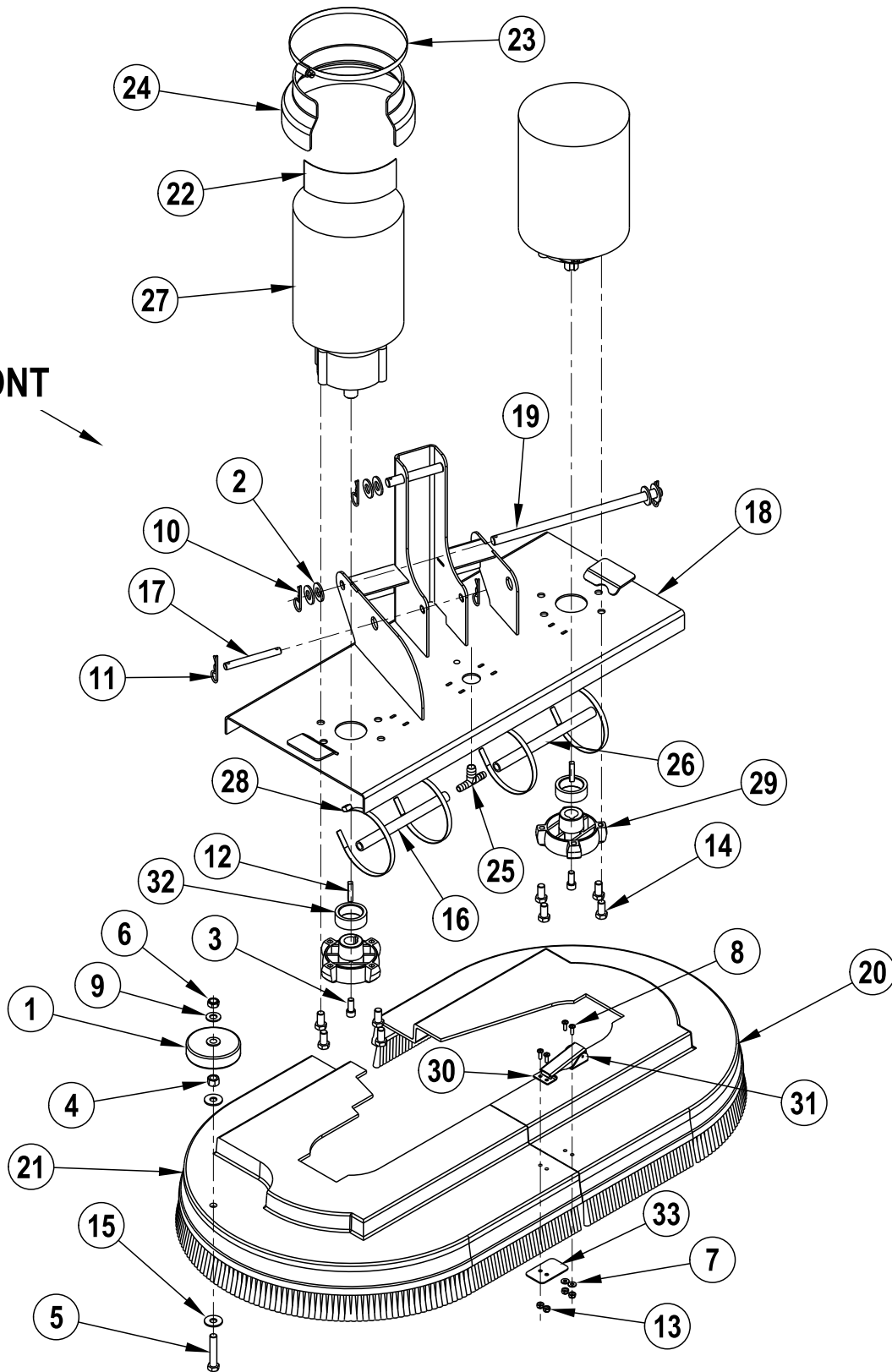


RECOVERY SYSTEM**SCRUBTEC 985**

Item	Ref. No.	Qty	Description
1	56412154	1	Gasket, Vacuum Duct
2	56001993	4	Scr-Pan Phil 10-24 X .50
3	56002053	4	Wsh, Flt Std #10
4	56002098	4	Wsh, Flt Sae 1/4
5	56002145	4	Scr-Pan Phil 1/4-20 X .50
6	56002849	2	Nut, Hex Nyl Loc-Thin Ss 10-24
7	56002896	2	Scr, Pan Phil Ss 10-24 X .62
8	56002919	2	Wsh, Flt Std Ss #10
9	56003003	1	Scr-Pan Phil 5/16-18 X .62
10	56009005	2	Scr, Pan Phil Ss Type Ab 10-16 X .75
11	56315096	1	Switch, Electromagnetic
12	56315098	1	Gasket
13	56315099	1	Screen, Fan Inlet
14	56315102	1	Shroud, Vac Motor
15	56315141	3	Mount, Vibration
16	56315176	1	Cover, Recovery Tank
17	56315220	1	Gasket, Recovery Lid
18	56315257	1	Clamp, P
19	56315268	1	Vac Hose Assy.
20	56315272	1	Cable Assy
21	56315303	2	Retaining, Strap
22	56315346	1	Plate
23	56315375	1	Foam, Accoustical
24	56315694	1	Hinge
25	56381799	1	Tank, Recovery, Scrubtec
26	56391208	1	Vac Motor Ass'y
[]	56377001	1	Carbon Brushes
27	56440213	1	Clamp- Hose Sae #32
28	56456797	1	Clamp- Hose Sae #36
29	56477613	2	Tie, Cable
30	56601405	1	Drain Hose

[] = Not Shown

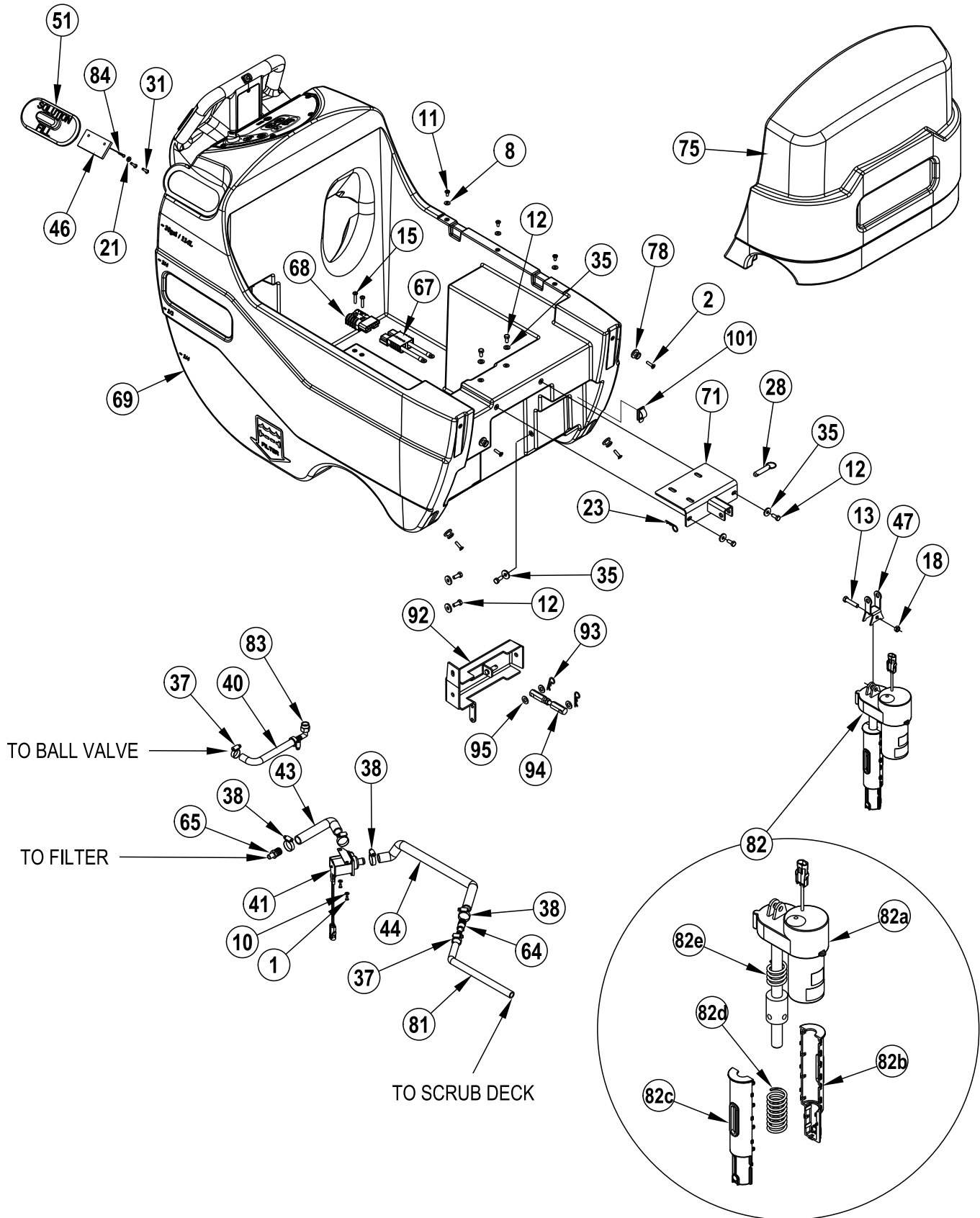
FRONT



Item	Ref. No.	Qty	Description
1	56324499	1	Wheel 3.00
2	56001879	6	Wsh, Flt Sae 1/2
3	56001959	2	Scr, Soc Hd 5/16-18 X 0.75
4	56002123	1	Nut, Hex Machine 3/8-16
5	56002470	1	Scr, Hex Thd To Hd 3/8-16 X 2.00
6	56002841	1	Nut, Hex Nyl Loc-Thin 3/8-16
7	56002875	2	Wsh, Flt Sae Ss #8
8	56002876	4	Scr, Pan Phil Ss 8-32 X .50
9	56002910	1	Wsh, Flt Sae Ss 3/8
10	56002959	3	Pin, Cotter Hair
11	56003120	2	Pin, Cotter Hair .0915 X .375
12	56003245	2	Key, Sq .25 X 1.19
13	56003309	4	Nut, Hex Nyl Loc-Thin Ss 8-32
14	56003338	8	Scr, Hex Loc Ss 3/8-16 X .75
15	56009213	2	Wsh, Flt .392x1.00x.075
16	56315060	1	Hose, Pvc .38id X 6.75
17	56315161	1	Pin
18	56315910	1	Deck Weldment
19	56315915	1	Pin, Linkage Pivot
20	56315950	1	Brush Housing Lh
	56315955	1	Brush Housing Assy – Left (Items 7, 8, 13, 20, 31)
21	56315951	1	Brush Housing Rh
	56315956	1	Brush Housing Assy – Right (Items 1, 4, 5, 6, 8, 9, 13, 15, 21, 30, 33)
22	56315952	1	Decal, Cover
23	56355488	1	Clamp, Hose Sae #96
24	56397112	1	Shroud, Motor
25	56397300	1	Tee, Barb
26	56397301	1	Hose, Pvc .38id X 7.50
27	56397316	2	Motor / Gear Unit Assembly 36v (M2 / M3)
[]	56397139	4	Carbon Brush NOTE 1
[]	56397138	4	Brush Spring NOTE 1
[]	56380634	1	Carbon Brush/Set of 4 NOTE 1
[]	56380635	1	Brush Spring/Set of 4 NOTE 1
28	56477613	4	Tie, Cable
29	34400b	2	Gimble, Motor
30	55451a	1	Keeper, Latch
31	55721A	1	Draw Latch
32	61658a	2	Collar, Brush Driver
33	69186a	1	Tab, Latch, Brush
Optional Brushes			
[]	56315942	2	Pad Holder-17 Gimbal
[]	10384A	2	Brush, Light Grit
[]	11430B	2	Brush, Medium Grit
[]	11425B	2	Brush, Heavy Grit
[]	11424B	2	Brush, Polypropylene
[]	10875A	2	Brush, Nylon

[] = Not Shown

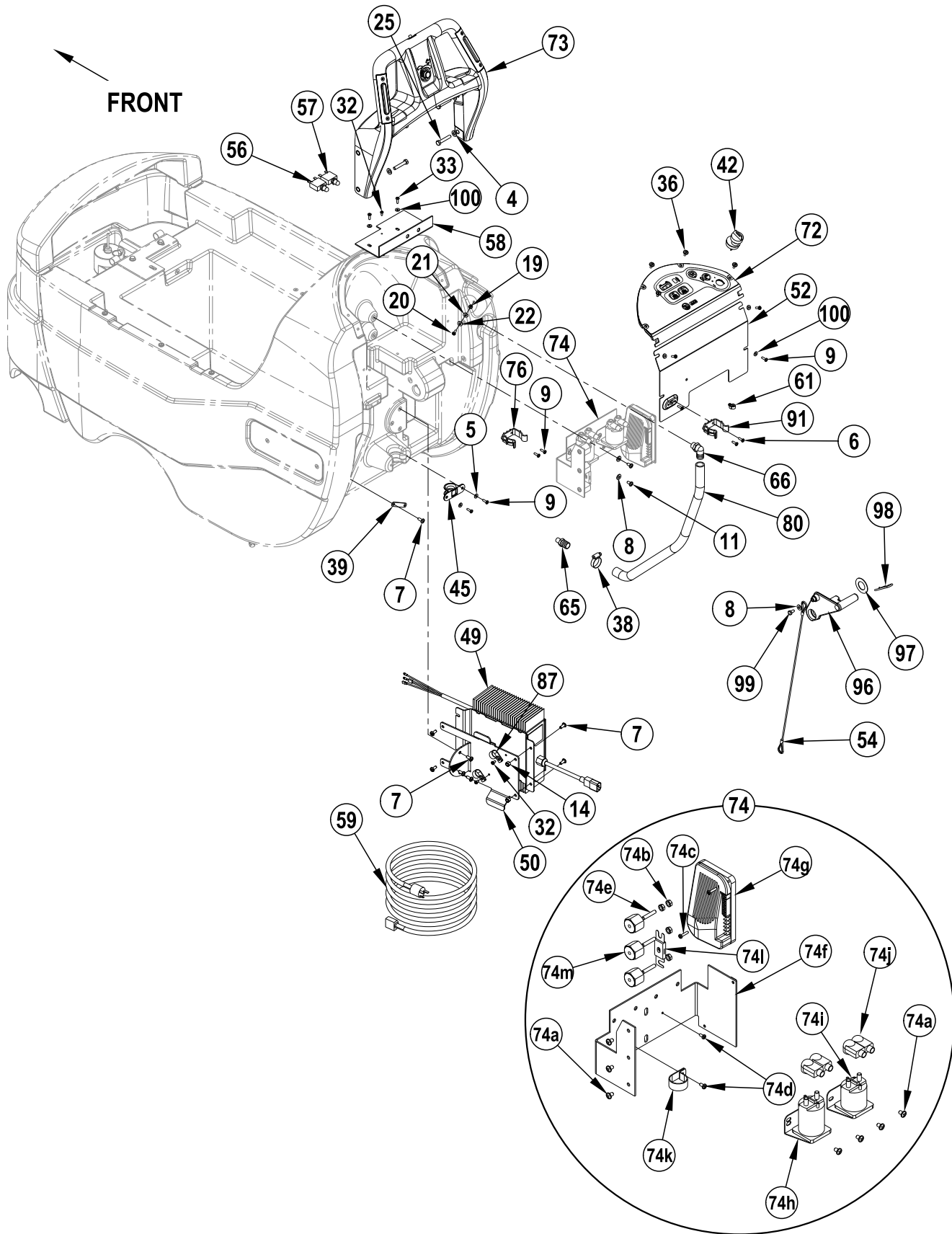
NOTE 1: If your Motor / Gear Unit Assembly has a serial tag from Imperial Electric order (4) Carbon Brushes 56397139 or (4) Brush Springs 56397138.
If your Motor / Gear Unit Assembly has a serial tag from Nilfisk-Advance order Carbon Brush Set 56380634 or Brush Spring Set 56380635.



Item	Ref. No.	Qty	Description	Item	Ref. No.	Qty	Description
1	56001818	2	Scr, Pan Phil 8-32 X .38	66	56315683	1	Barb, 90 Elbow 3/4 X 3/8npt
2	56001832	4	Scr, Flt Phil 1/4-20 X 1.00	67	56315686	1	Charge Connector Assy
4	56001939	4	Wsh, Flt Sae 5/16	68	56315687	1	Charge Connector Assy
5	56001954	2	Wsh, Flt Sae #10	69	56315733	1	Tank, Solution
6	56001993	2	Scr, Pan Phil 10-24 X .50	71	56315744	1	Weldment, Actuator Mount
7	56002066	8	Scr, Pan Phil 1/4-20 X .62	72	56315924	1	Control Panel Assy
8	56002098	6	Wsh, Flt Sae 1/4	73	56315930	1	Handle Assembly
9	56002124	8	Scr, Pan Phil 10-24 X .62	74	56315947	1	Assembly, Electrical Box (74a-74m)
10	56002140	2	Wsh, Flt Sae #8	74a	56002462	7	Scr, Pan Phil 1/4-20 X .38
11	56002145	5	Scr, Pan Phil 1/4-20 X .50	74b	56002561	4	Nut, Hex W/ Shprf 1/4-20
12	56002667	7	Scr, Hex 5/16-18 X .75	74c	56003698	2	Scr, Pan Phil Thd Form 8-32 X .75
13	56002684	1	Scr, Hex 3/8-16 X 1.75	74d	56009030	2	Scr, Pan Phil Thd Form 10-24 X .38
14	56002708	4	Nut, Hex Nyl Loc 1/4-20	74e	56009203	3	Stud, 1/4-20
15	56002825	2	Scr, Pan Phil 1/4-20 X 1.25	74f	56315182	1	Panel, Electrical
18	56002841	1	Nut, Hex Nyl Loc-Thin 3/8-16	74g	56315925	1	Controller, Speed (A2)
19	56002849	1	Nut, Hex Nyl Loc-Thin Ss 10-24	74h	56395453	1	Contactactor 36v, 200 Amp (K1 / Brush Motor)
20	56002896	1	Scr, Pan Phil Ss 10-24 X .62	74i	56395455	1	Contactactor 36v, 100 Amp (K2 / Vac Motor)
21	56002916	2	Wsh, Flt Sae Ss #10	74j	2-00-04203	4	Insulator, Terminal
22	56002919	1	Wsh, Flt Std Ss #10	74k	56380544	1	Clamp, .875 P
23	56002959	1	Pin, Cotter Hair	74l	56412089	1	Fuse, 150 Amp (F1)
25	56003005	4	Scr, Hex 5/16-18 X 1.75	74m	56469858	3	Standoff, Insulated
26	56003266	1	Ring, Ret Ext Type E 0.75 Dia	75	56315949	1	Nose Cone, One Piece
28	56003679	1	Pin, Ring .50 X 1.63	76	56331154	1	Clamp, Plastic
31	56009006	2	Scr, Pan Phil SS Type Ab 10-16 X 1.00	78	56365777	4	Lug, Brush Driver
32	56009030	3	Scr, Pan Phil Thd Form 10-24 X .38	80	56379139	1	Hose, Pvc
33	56009039	2	Scr, Hex Thd Form 10-24 X .50	81	56387302	1	Hose, Solution
35	56009122	7	Wsh, Flt .344 X .938 X .125	82	56109595	1	Lift Actuator Assembly (82a-82e)
36	56009206	4	Scr, Truss Phil-Blk 10-24x.50	82a	56109597	1	Actuator
37	56219932	3	Clamp, Hose Sae #6	[]	56109596	1	Plastic Nut
38	56244969	5	Clamp, Hose Sae #12	[]	56109636	1	Spring Housing Kit
39	56249884	1	Plate	82b	56109547	1	Spring Housing Bottom
40	56262561	1	Hose, Spiral .500	82c	56109546	1	Spring Housing Top
41	56303275	1	Solenoid Valve Assy (L1)	82d	56420018	1	Compression Spring
42	56303553	1	Key Switch Assembly (S3)	82e	56412071	1	Compression Spring
[]	56303526	A/R	Set of 2 Keys (for 56303553)	83	56409152	1	Barb, 90 Elbow 1/2 X 1/2npt
43	56305318	1	Hose, Spiral .750 X 10.5"	84	56410254	1	Wire Rope, 6 Inch
44	56305591	1	Hose, Spiral .750 X 25"	87	56486112	2	Clamp,P
45	56315121	1	Guide, Cable	91	56396199	1	Clamp, Plastic
46	56315166	1	Plate	96	56315730	1	Lever, Squeegee Lift
47	56315191	1	Yoke, Actuator	97	56009117	1	Wsh, Flt 1.03 x 1.85 x .48
49	56315204	1	Charger, On-Board 36v NOTE 1	98	56003223	1	Pin, Cot Hair
[]	56315747	1	Thermistor Repair Kit (for 56315204)	99	56001854	1	Scr, Hex 1/4-20 x .50
50	56315206	1	Bracket, Charger	100	56002053	6	Wsh, Flt STD #10
51	56315219	1	Cover, Solution Fill	101	7-13-07096	1	Clamp-Adjustable
52	56109502	1	Panel, Electrical	[]	56325219	1	Tie, Cable
53	56315236	1	Weldment, Squeegee Lift				
54	56315243	1	Cable Assy				
56	56315255	1	Circuit Breaker, 5 Amp (F2)				
57	56315256	1	Circuit Breaker, 30 Amp (F3)				
58	56109553	1	Plate, Circuit Breaker				
59	40838A	1	Charger Cord				
61	56315382	1	Clip, Conduit				
64	56315625	1	Barb, Coupler 1/2 X 3/4				
65	56315634	2	Barb, Adaptor 3/4 X 1/2 Npt				

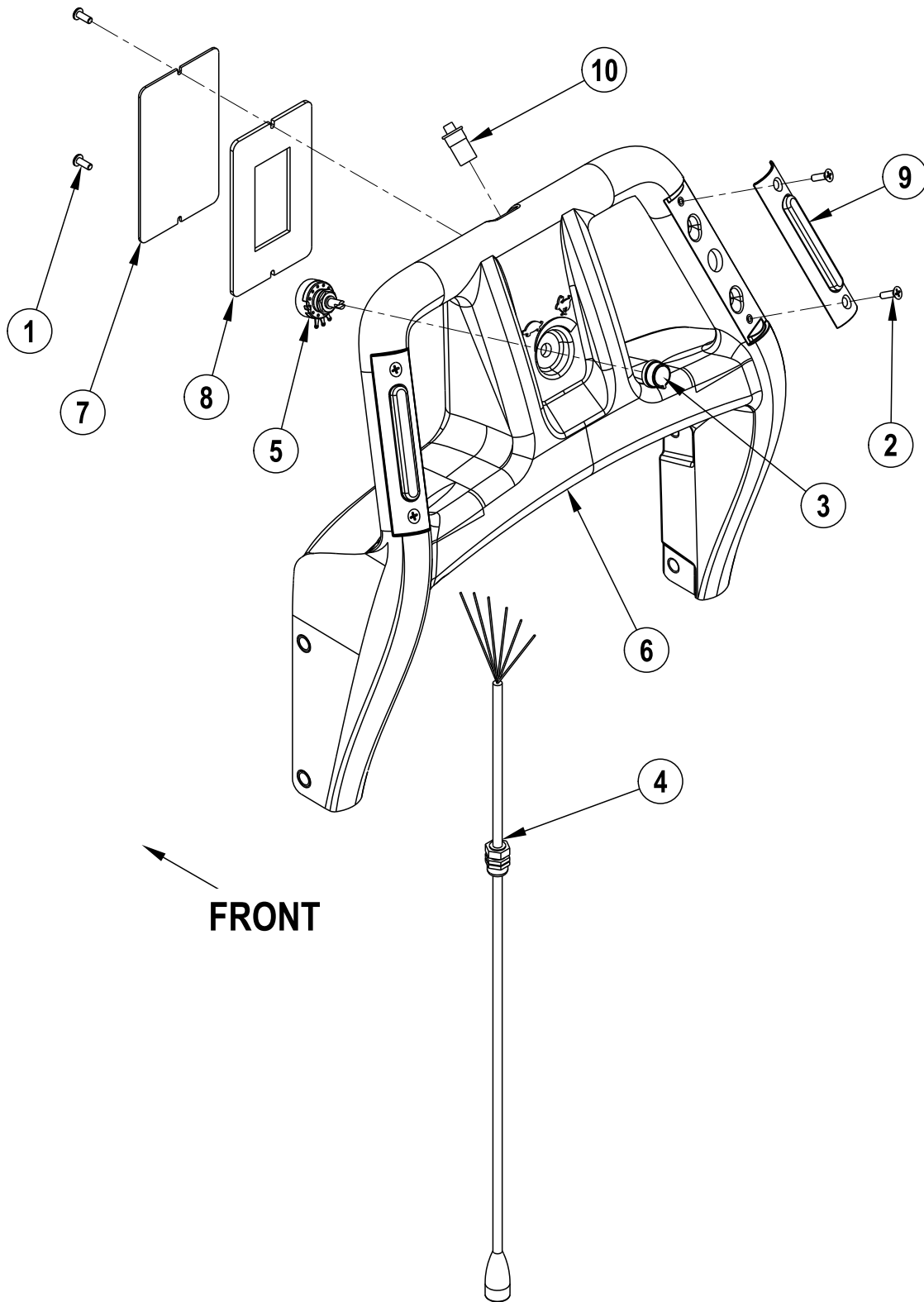
[] = Not Shown

NOTE 1: The charger software can be programmed with a computer and the QuiQ Programmer kit 56315732.

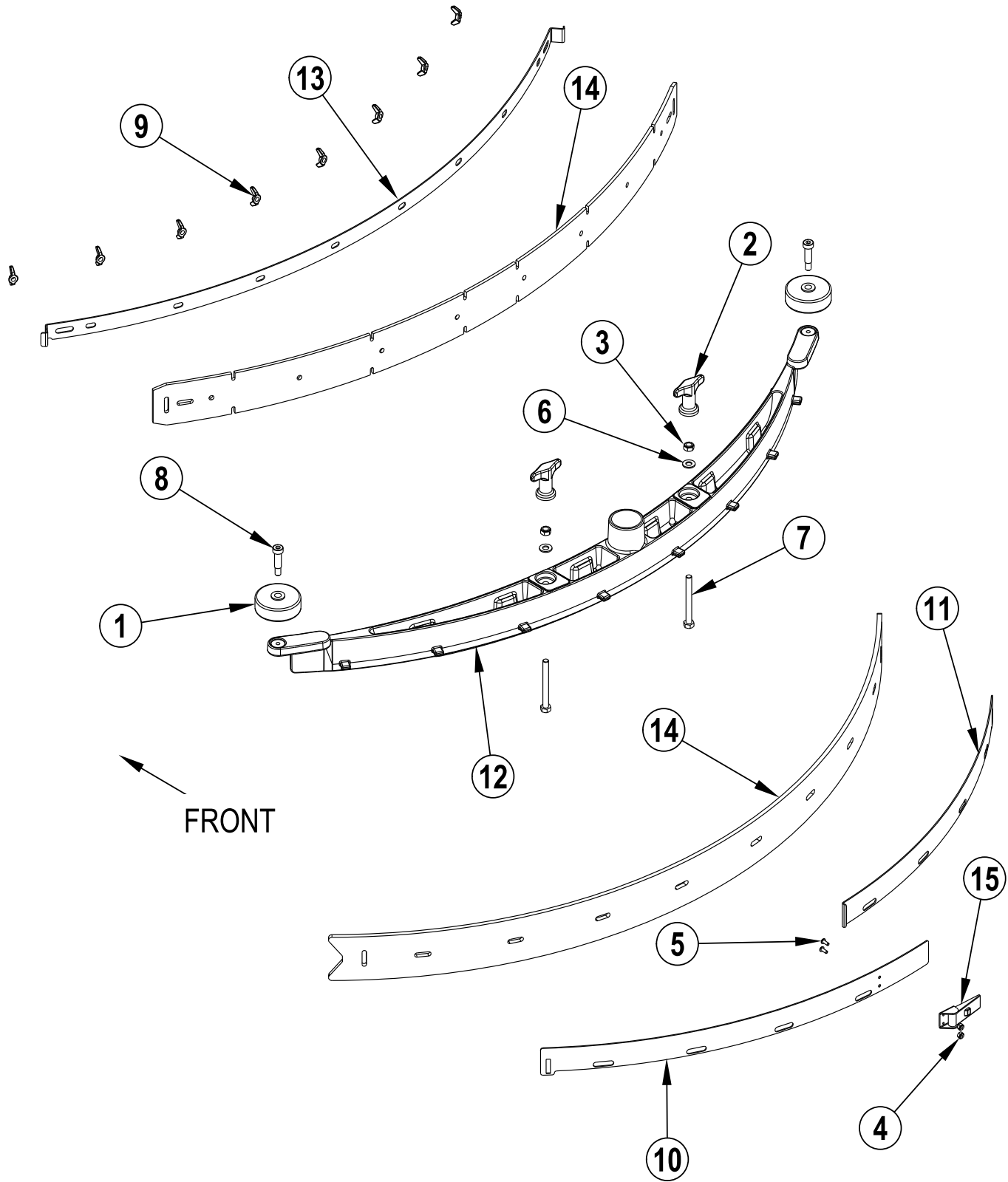


Item	Ref. No.	Qty	Description	Item	Ref. No.	Qty	Description
1	56001818	2	Scr, Pan Phil 8-32 X .38	66	56315683	1	Barb, 90 Elbow 3/4 X 3/8npt
2	56001832	4	Scr, Flt Phil 1/4-20 X 1.00	67	56315686	1	Charge Connector Assy
4	56001939	4	Wsh, Flt Sae 5/16	68	56315687	1	Charge Connector Assy
5	56001954	2	Wsh, Flt Sae #10	69	56315733	1	Tank, Solution
6	56001993	2	Scr, Pan Phil 10-24 X .50	71	56315744	1	Weldment, Actuator Mount
7	56002066	8	Scr, Pan Phil 1/4-20 X .62	72	56315924	1	Control Panel Assy
8	56002098	6	Wsh, Flt Sae 1/4	73	56315930	1	Handle Assembly
9	56002124	8	Scr, Pan Phil 10-24 X .62	74	56315947	1	Assembly, Electrical Box (74a-74m)
10	56002140	2	Wsh, Flt Sae #8	74a	56002462	7	Scr, Pan Phil 1/4-20 X .38
11	56002145	5	Scr, Pan Phil 1/4-20 X .50	74b	56002561	4	Nut, Hex W/ Shprf 1/4-20
12	56002667	7	Scr, Hex 5/16-18 X .75	74c	56003698	2	Scr, Pan Phil Thd Form 8-32 X .75
13	56002684	1	Scr, Hex 3/8-16 X 1.75	74d	56009030	2	Scr, Pan Phil Thd Form 10-24 X .38
14	56002708	4	Nut, Hex Nyl Loc 1/4-20	74e	56009203	3	Stud, 1/4-20
15	56002825	2	Scr, Pan Phil 1/4-20 X 1.25	74f	56315182	1	Panel, Electrical
18	56002841	1	Nut, Hex Nyl Loc-Thin 3/8-16	74g	56315925	1	Controller, Speed (A2)
19	56002849	1	Nut, Hex Nyl Loc-Thin Ss 10-24	74h	56395453	1	Contacto 36v, 200 Amp (K1 / Brush Motor)
20	56002896	1	Scr, Pan Phil Ss 10-24 X .62	74i	56395455	1	Contacto 36v, 100 Amp (K2 / Vac Motor)
21	56002916	2	Wsh, Flt Sae Ss #10	74j	2-00-04203	4	Insulator, Terminal
22	56002919	1	Wsh, Flt Std Ss #10	74k	56380544	1	Clamp, .875 P
23	56002959	1	Pin, Cotter Hair	74l	56412089	1	Fuse, 150 Amp (F1)
25	56003005	4	Scr, Hex 5/16-18 X 1.75	74m	56469858	3	Standoff, Insulated
26	56003266	1	Ring, Ret Ext Type E 0.75 Dia	75	56315949	1	Nose Cone, One Piece
28	56003679	1	Pin, Ring .50 X 1.63	76	56331154	1	Clamp, Plastic
31	56009006	2	Scr, Pan Phil SS Type Ab 10-16 X 1.00	78	56365777	4	Lug, Brush Driver
32	56009030	3	Scr, Pan Phil Thd Form 10-24 X .38	80	56379139	1	Hose, Pvc
33	56009039	2	Scr, Hex Thd Form 10-24 X .50	81	56387302	1	Hose, Solution
35	56009122	7	Wsh, Flt .344 X .938 X .125	82	56109595	1	Lift Actuator Assembly (82a-82e)
36	56009206	4	Scr, Truss Phil-Blk 10-24x.50	82a	56109597	1	Actuator
37	56219932	3	Clamp, Hose Sae #6	[]	56109596	1	Plastic Nut
38	56244969	5	Clamp, Hose Sae #12	[]	56109636	1	Spring Housing Kit
39	56249884	1	Plate	82b	56109547	1	Spring Housing Bottom
40	56262561	1	Hose, Spiral .500	82c	56109546	1	Spring Housing Top
41	56303275	1	Solenoid Valve Assy (L1)	82d	56420018	1	Compression Spring
42	56303553	1	Key Switch Assembly (S3)	82e	56412071	1	Compression Spring
[]	56303526	A/R	Set of 2 Keys (for 56303553)	83	56409152	1	Barb, 90 Elbow 1/2 X 1/2npt
43	56305318	1	Hose, Spiral .750 X 10.5"	84	56410254	1	Wire Rope, 6 Inch
44	56305591	1	Hose, Spiral .750 X 25"	87	56486112	2	Clamp,P
45	56315121	1	Guide, Cable	91	56396199	1	Clamp, Plastic
46	56315166	1	Plate	96	56315730	1	Lever, Squeegee Lift
47	56315191	1	Yoke, Actuator	97	56009117	1	Wsh, Flt 1.03 x 1.85 x .48
49	56315204	1	Charger, On-Board 36v NOTE 1	98	56003223	1	Pin, Cot Hair
[]	56315747	1	Thermistor Repair Kit (for 56315204)	99	56001854	1	Scr, Hex 1/4-20 x .50
50	56315206	1	Bracket, Charger	100	56002053	6	Wsh, Flt STD #10
51	56315219	1	Cover, Solution Fill	101	7-13-07096	1	Clamp-Adjustable
52	56109502	1	Panel, Electrical	[]	56325219	1	Tie, Cable
53	56315236	1	Weldment, Squeegee Lift				
54	56315243	1	Cable Assy	[] = Not Shown			
56	56315255	1	Circuit Breaker, 5 Amp (F2)				
57	56315256	1	Circuit Breaker, 30 Amp (F3)				
58	56109553	1	Plate, Circuit Breaker				
59	40838A	1	Charger Cord				
61	56315382	1	Clip, Conduit				
64	56315625	1	Barb, Coupler 1/2 X 3/4				
65	56315634	2	Barb, Adaptor 3/4 X 1/2 Npt				

NOTE 1: The charger software can be programmed with a computer and the QuiQ Programmer kit 56315732.



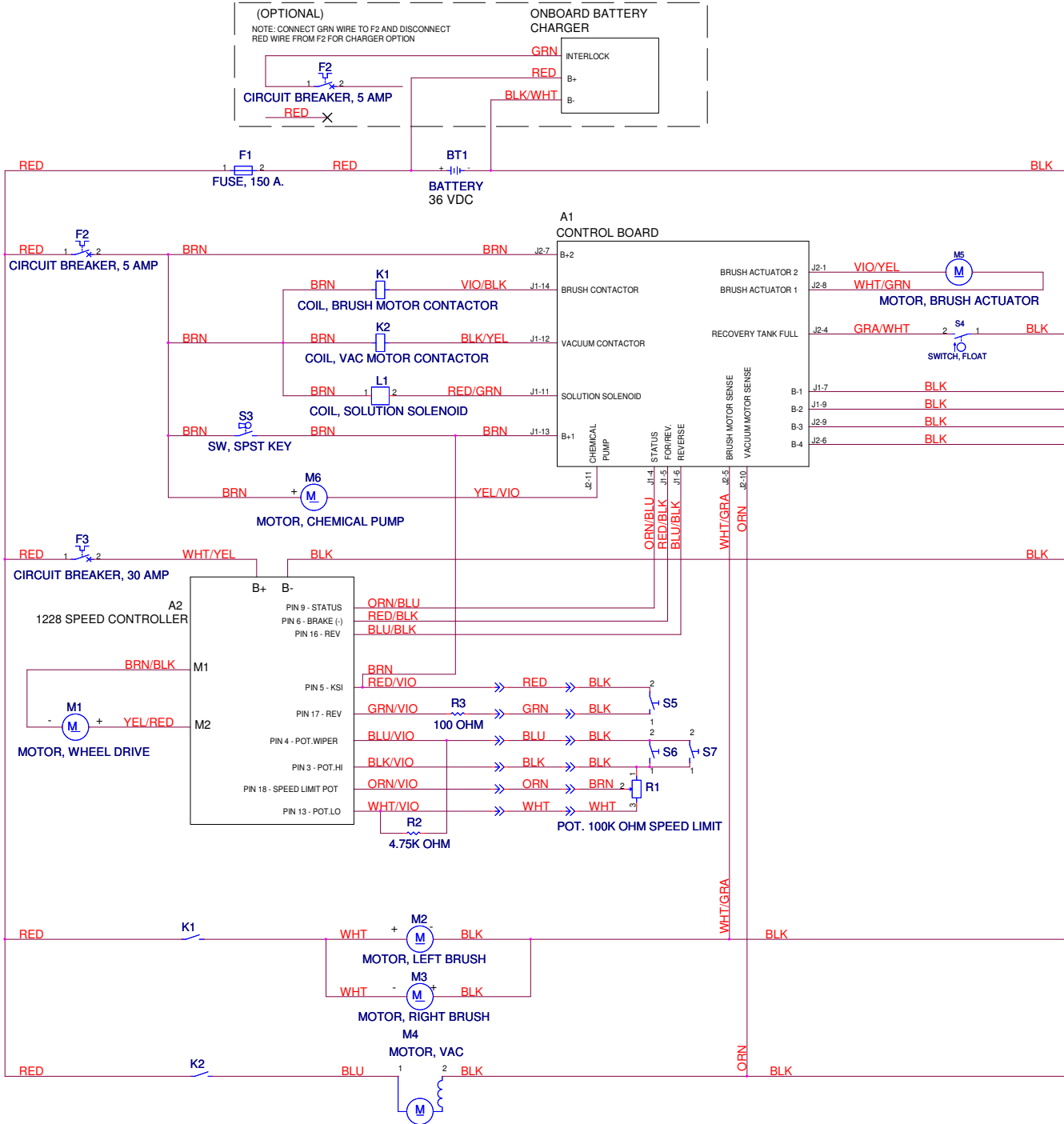
Item	Ref. No.	Qty	Description
	56315930	1	Handle Assembly
1	56002043	2	Scr, Pan Phil 10-24 X .38
2	56002178	4	Scr, Flt Phil 10-24 X .50
3	56315280	1	Knob
4	56315928	1	Harness, Handle
5	56315929	1	Potentiometer, 100k (R1)
6	56315931	1	Handle, Rotomold
7	56315932	1	Access Plate
8	56315933	1	Gasket, Access Panel
9	56315935	2	Palm Switch Assembly (S6 / S7)
10	56315945	1	Switch, Spst Mom. (S5)



Item	Ref. No.	Qty	Description
	56315632	1	Squeegee Assembly "D"
1	56324350	2	Wheel
2	56370711	2	Nut, Thumb
3	56002851	2	Nut, Hex Nyl Loc-Thin Ss 5/16-18
4	56002907	2	Nut, Hex Nyl Loc SS 6-32
5	56002909	2	Scr, Pan Phil SS 6-32 X .38
6	56002938	2	Wsh, Flt Sae SS 5/16
7	56003736	2	Scr, Hex Thd to Hd SS 5/16-18 X 3.00
8	56003472	2	Scr, Soc Shd .38 X 1.00 X 5/16-18
9	56009111	8	Nut, Wing SS 1/4-20
10	56109667	1	Strap, Left Rear "D"
11	56109668	1	Strap, Right Rear "D"
12	56314694	1	Squeegee Tool, Cast "D"
13	56314696	1	Strap, Front "D"
14	56315674	1	Kit, Gum Rubber Squeegee Blade "D"
15	56471194	1	Latch Assembly
			Squeegee Blade Kits
	56315674	1	Kit, Gum Rubber Squeegee Blade "D" NOTE 1
*	56314865	1	Kit, Linatex Squeegee Blade "D" NOTE 1
*	56315856	1	Kit, PU Squeegee Blade "D" NOTE 1

* = Optional, Not Included

NOTE 1: All squeegee blade kits include both front and rear squeegee blades.



Item	Ref. No.	Qty	Description
A1	56315924	1	Control Panel Assy
A2	56315925	1	Speed Control
BT1	56206079	6	Battery
F1	56412089	1	Fuse, 150 Amp
F2	56315255	1	Circuit Breaker, 5 Amp
F3	56315256	1	Circuit Breaker, 30 Amp
K1	56395453	1	Contactora, Brush Motor
K2	56395455	1	Contactora, Vac Motor
L1	56303275	1	Solenoid, Solution
M1	56315063	1	Transaxle, 36v
[]	56315676	1	Motor
[]	56315677	4	Carbon Brush
[]	56315678	2	Neoprene Mounting Sleeve
M2	56397316	1	Motor, Left Brush
[]	56397139	4	Carbon Brush NOTE 2
[]	56397138	4	Brush Spring NOTE 2
[]	56380634	1	Carbon Brush/Set of 4 NOTE 2
[]	56380635	1	Brush Spring/Set of 4 NOTE 2
M3	56397316	1	Motor, Right Brush
[]	56397139	4	Carbon Brush NOTE 2
[]	56397138	4	Brush Spring NOTE 2
[]	56380634	1	Carbon Brush/Set of 4 NOTE 2
[]	56380635	1	Brush Spring/Set of 4 NOTE 2
M4	56391208	1	Vac Motor Assy
[]	56377001	1	Carbon Brush Set of 2
M5	56109597	1	Motor, Brush Actuator
[]	56109596	1	Plastic Nut
R1	56315929	1	Potentiometer, 100K Ohm, Speed Limit
R2	N/A	1	Resister, 4.7K Ohm (part of 56315920)
S3	56303553	1	Switch, Key
[]	56303526	A/R	Set of 2 Replacement Keys
S4	56315096	1	Switch, Float
S5	56315945	1	Switch, SPST MOM
S6	56315935	1	Switch, Palm Assy
S7	56315935	1	Switch, Palm Assy
[]	56315204	1	Charger, Onboard 36V
[]	56315747	1	Thermister Repair Kit for 56315204
[]	56315920	1	Harness, Main
[]	56315750	1	Vacuum Harness
[]	56416445	3	Cable Assy 4 AWG (Battery Cables)
[]	56456460	2	Cable Assy 4 X 12 (Battery Cables)
[]	56372673	12	Boot, Battery Post
[]	56478246	12	Tie, Cable
[]	56314119	2	Spacer. Battery

[] = Not Shown

NOTE 1: The charger software can be programmed with a computer and the QuiQ Programmer kit 56315732.

NOTE 2: If your Motor / Gear Unit Assembly has a serial tag from Imperial Electric order (4) Carbon Brushes 56397139 or (4) Brush Springs 56397138.
If your Motor / Gear Unit Assembly has a serial tag from Nilfisk-Advance order Carbon Brush Set 56380634 or Brush Spring Set 56380635.

Ref. No. Qty Description

Options

- * 56315732 A/R QuiQ Programmer Kit **NOTE 2**
- * 909 621 9000 2 Wheel, Polyurethane – Traction
- * 56314697 1 Squeegee Assy "D" (**Linatex**)
- * 56315958 1 Handle Lowering Kit

NOTE: Replacement parts for the kits listed above can be found on each kit's associated instruction sheet.

Kits for Squeegee 56315632

- 56315674 1 Kit, Gum Rubber Squeegee Blade "D" **NOTE 1**
- * 56314865 1 Kit, Linatex Squeegee Blade "D" **NOTE 1**
- * 56315856 1 Kit, PU Squeegee Blade "D" **NOTE 1**

Accessories

- * 56315316 A/R Tote Bag
- * 56409441 A/R Programmer, 1307 User
- * 56409823 A/R Programmer Cable
- * 56397453 6 Indicator, Battery Level (**1 per battery**)
- * 56044613 A/R Literature Pack

Optional Brushes

- * 56315942 2 Pad Holder-17 Gimbal
- * 10384A 2 Brush, Light Grit
- * 11430B 2 Brush, Medium Grit
- * 11425B 2 Brush, Heavy Grit
- * 11424B 2 Brush, Polypropylene
- * 10875A 2 Brush, Nylon

* = Optional, Not Included

NOTE 1: All squeegee blade kits include both front and rear squeegee blades.

NOTE 2: The charger software can be programmed with a computer and the QuiQ Programmer kit 56315732.

We provide brushes and pad holders that will give you the best possible performance between machine and floor. Following are descriptions of the materials and their applications.

- 10384A Lite Grit: Least aggressive grit brush for general medium duty scrubbing on terrazzo, sealed and unsealed concrete, less aggressive than Clean Grit or Super Grit brushes.
- 110430A Clean Grit: Medium duty scrubbing for tough soils on concrete, tile and other resilient floors. Most popular choice of the grit brushes.
- 11425B Super Grit: Most aggressive of the grit brushes for heavy duty scrubbing on hard floors.
- 11424B Polypropylene: Designed for medium-duty scrubbing on concrete, terrazzo and vinyl floor tile.
- 10875A Nylon: For light duty scrubbing applications.

BRUSHES

- 56315942 - Pad Holder-17 Gimbal
- 10384A - Light Grit
- 11430B - Medium Grit
- 11425B - Heavy Grit
- 11424B - Polypropylene
- 10875A - Nylon

Nilfisk ALTO

Why Compromise

Division of Nilfisk-Advance A/S

Industrivej 1

9560 Hadsund

Denmark

Tel.: (+45) 72 18 21 00

Fax: (+45) 72 18 21 11

E-mail: salg@nilfisk-alto.dk

E-mail: service@nilfisk-alto.dk

www.nilfisk-alto.dk