

# PARTS LIST

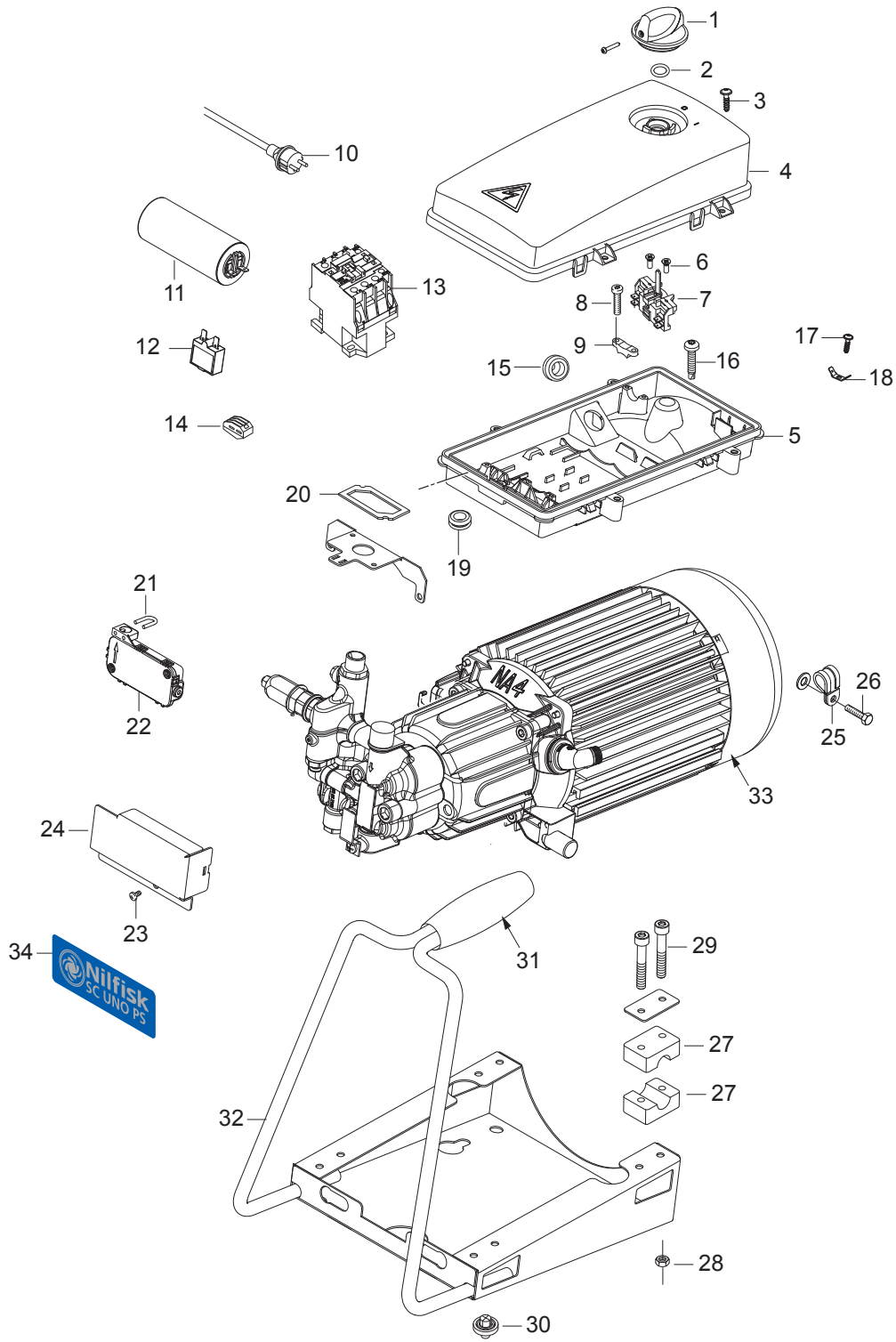


2021.05.18

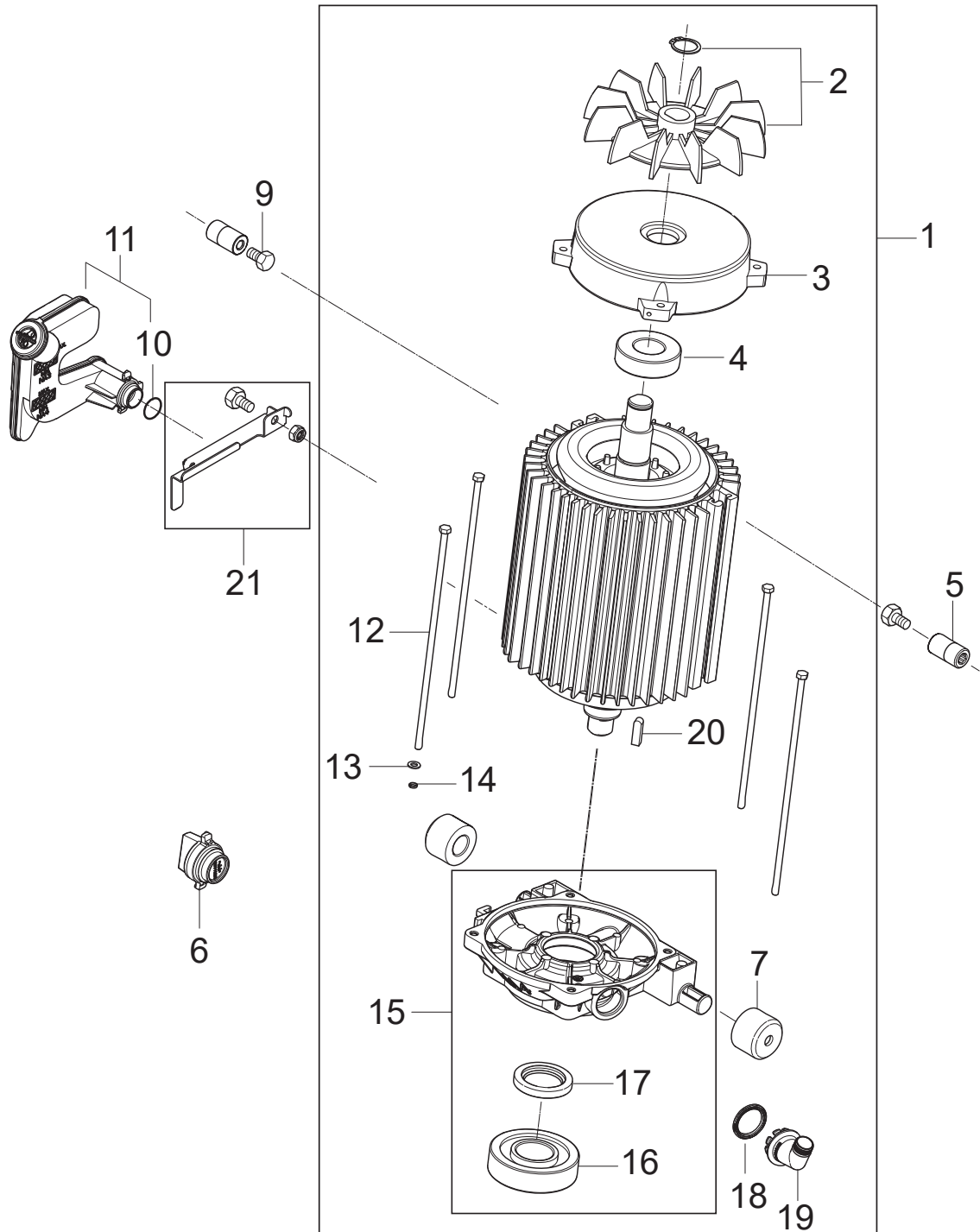
# TABLE OF CONTENTS

---

Overview UNO 4M.....	1
Motor.....	3
Pump.....	5



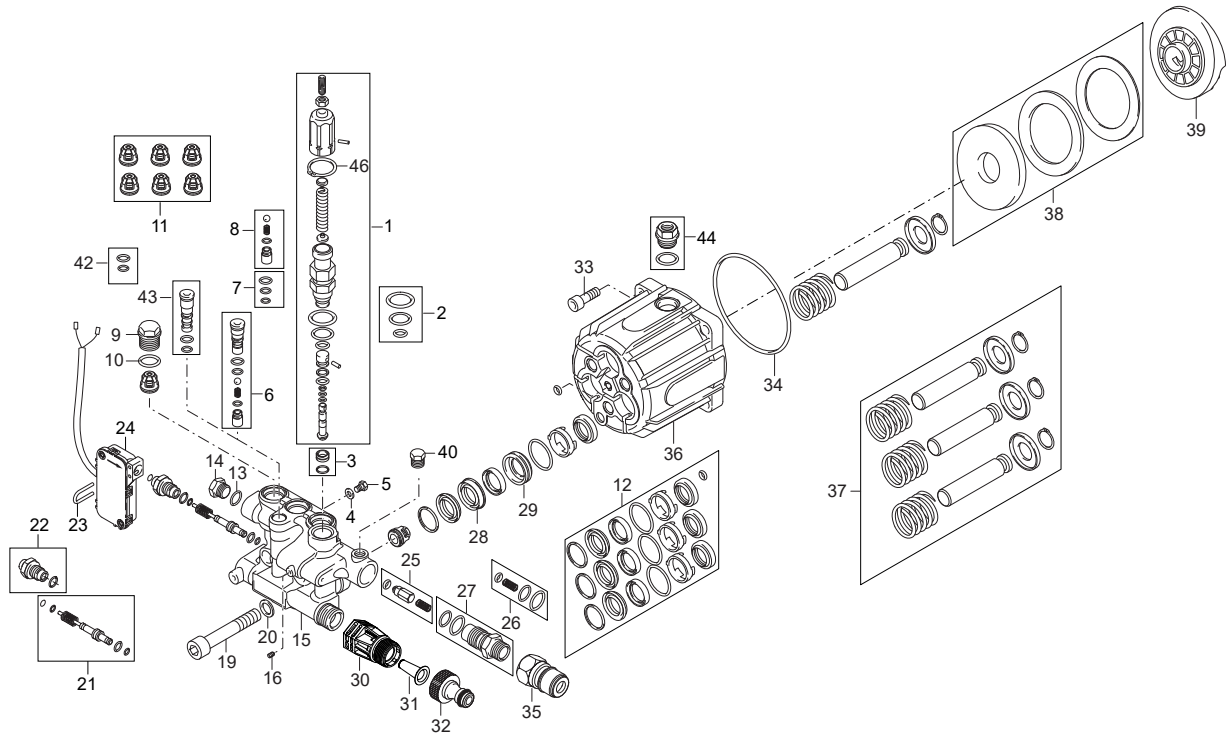
No.	Part No.	Qty.	Description	Part Note
1	909100204	1	ROTARY KNOB 06X5	
1A	909100443	1	SCREW K30X18T12 WN5452	
2	9868	1	O-RING 10.2X2.5 NBR 70	
3	107141838	4	SCREW K50X18 WN1451	
4	301002282	1	SWITCH CASE HOUSING UPPER	
5	301002281	1	SWITCH CASE HOUSING LOWER	
6	18274	2	COUNTERS UNK SCREW M4X12	
7	301001058	1	CONTACT FOR START STOP	
8	909100443	2	SCREW K30X18T12 WN5452	
9	3806262	1	STRAIN RELIEF BRACKET 27.	
10		1	POWER CORD - H07RN-F 3G1,5x6M, CEE 7 1 p	
10		1	POWER CORD - H07RN-F 4G1,5x6M, CEE 5 3 p	
11	107141856	1	CAPACITOR 70uF 450V	
12	301002322	1	FUSE 16A	
13	103822300	1	CONTACTOR CJX2-D12 12A 400V 3P+NO	
14	301001229	1	SNAP-ON CLIP 3X4QMM	
15	301002284	1	GROMMET	
16	107307305	1	SCREW ZEBRA PIAS PH 4.8X25	
17	107141838	1	SCREW K50X18 WN1451	
18	107142559	1	FASTON TAB TERMINAL DOUBLE STUD 45°	
19	3803772	1	CABLE GROMMET TET 7-10C	
20	107307300	1	GASKET FOR E-BOX	
21	301003053	1	CLAMP	
22	107142680	1	SWITCHBOX ASSEMBLY	
23	1803543	1	SCREW M4X10	
24	107307301	1	BRACKET FOR SWITCH	
25	107307307	1	FASTENING CLIP 10/12	
26	1804160	4	SCREW M4X8 8.8 ISO4017	
27	107307304	8	TUBE HOLDER D16	
28	11619	8	Lock Nut M6 - 8 A2K	
29	5100	8	SCREW M6X45 ISO 4762	
30	107307302	4	PUSH FIT RIVET FOOD	
31	107307303	1	HANDLE GRIP	
32	107307306	1	FRAME WELDED P4	
33	107307308	1	FAN COVER FOR NA3/NA4	
34	107307363	1	FRONTLABEL SC UNO PS	



No.	Part No.	Qty.	Description	Part Note
0	31001082	1	OIL ROTRA MP 80W-90 1L	[1]
1	31001006	1	MOTOR NA4 -	[2]
1	31001010	1	MOTOR NA4 - 2.8KW/230/400V/50HZ/3PH	[3]
2	107145038	1	FAN INCL. LOCK RING	
3	107145037	1	N-BEARING COVER	
4	301003080	1	BEARING 6205 ZZ	
5	107142544	2	NUT M8 X D17 X L31 INT. HEX 8	
6	31001039	1	OIL PLUG FOR NA3 AND NA4	
7	107142545	2	SUSPENSION D35 X D17 X L25	
9	2753	2	HEX. SCREW M8X20 ISO	
10	107142589	1	SEAL ID 16.7XOD 21.2XW 5 NBR 70 SHORE A	
11	107142546	1	OIL CONTAINER MC 3-4	[4]
12	31000916	4	STAY BOLT M5X210	
12	31000917	4	STAY BOLT M5X230	
13	31000918	4	WASHER D5.5XD10 GB/T97.1 ISO7089	
14	31000919	4	LOCK RING D5.1XD7.7 GB/T93 DIN127	
15	31000920	1	D-BEARING COVER P4 INCL SEAL AND BEARING	
16	31001028	1	BEARING 7306	
17	301003078	1	OIL SEAL	
18	31000921	1	SEAL ID 23.4XOD 31 D 2/3.5	
19	31000922	1	CABLE GLAND 23.5 SNAPON 110 DEG	
20	101814798	1	KEY 6 X 6 X 20 MM FOR	
21	107142617	1	BRACKET OIL CONTAINER NA3-NA4 CPL.	

## Part Notes:

- [1] - 0,39 L - OIL TYPES QUANTITY for HPW\_APRIL 2017  
TSB-PPW-2017-018 SC UNO 4M Oil filling information
- [2] - SC UNO 4M-140/620 PS \*EU\*
- [3] - SC UNO 4M-160/720 PS \*EU\*
- [4] - TSB-PPW-2017-018 SC UNO 4M Oil filling information



No.	Part No.	Qty.	Description	Part Note
1	31000978	1	REGULATION SAFETY BLOCK	
2	301003032	1	VALVE SEAL KIT	
3	301003033	1	VALVE SEAT KIT	
4	31000944	1	WASHER	
5	301003035	1	SCREW M6	
6	31000981	1	EASY START KIT	
7	301003037	1	O-RING EASY START KIT	
8	31000983	1	SEAT EASY START KIT	
9	301003039	1	PLUG Å 15.6	
10	301003040	1	O-RING Ø 15.6X1.78	
11	31000576	1	VALVE KIT 6 PCS	
12	301003042	3	SEAL KIT	[1]
13	301003043	1	O-RING Å 10 82X1 78	
14	301003044	1	PLUG Å 10.8	
15	301003045	1	PUMP HEAD	
16	301003046	1	SCREW M3X5	
19	301003049	1	SCREW M12X70	
20	301003050	1	WASHER Å 12	
21	31000939	1	PISTON KIT FOR	
22	31000940	1	FITTING KIT FOR	
23	301003053	1	CLAMP	
24	107142680	1	SWITCHBOX ASSEMBLY	
25	31000988	1	INJECTOR	
26	31000989	1	O-RING KIT FOR INJECTOR	
27	31000990	1	INJECTOR KIT	
28	301001559	1	THRUST COLLAR Ø 18	
29	301003059	1	PISTON GUIDE	
30	107142566	1	WATER INLET TUBE	
31	101117926	1	FILTER	
32	1402809	1	QUICK COUPLING MALE W.	
33	301003063	1	SCREW M5X25	
34	31000973	1	O-RING D 94.92X2.62	
35	1600493	1	Nippel F. Q-COUPL. 3/8	
36	31000972	1	PUMP BODY	
37	31000992	3	PISTON KIT D18	
38	31000993	1	BEARING KIT 1MM	
39	31000975	1	WOBBLE DISC 12.5 DEG	
40	31000966	1	PLUG	
42	301003160	2	O-RING KIT	
43	301003073	1	PLUG KIT	
44	31001000	1	PLUG KIT FOR PUMP BODY	
46	101117994	1	RETAINER RING Å 23 DIN 471	

## Part Notes:

- [1] - TSB-PPW-2019-001 MC 4M MH 3M SC UNO 4M Pump oil leakage  
 DE TSB-PPW-2019-001 MC 4M MH 3M SC UNO 4M Pumpenölverlust  
 TSB-PPW-2019-001 Fuite d'huile pompe NA4



