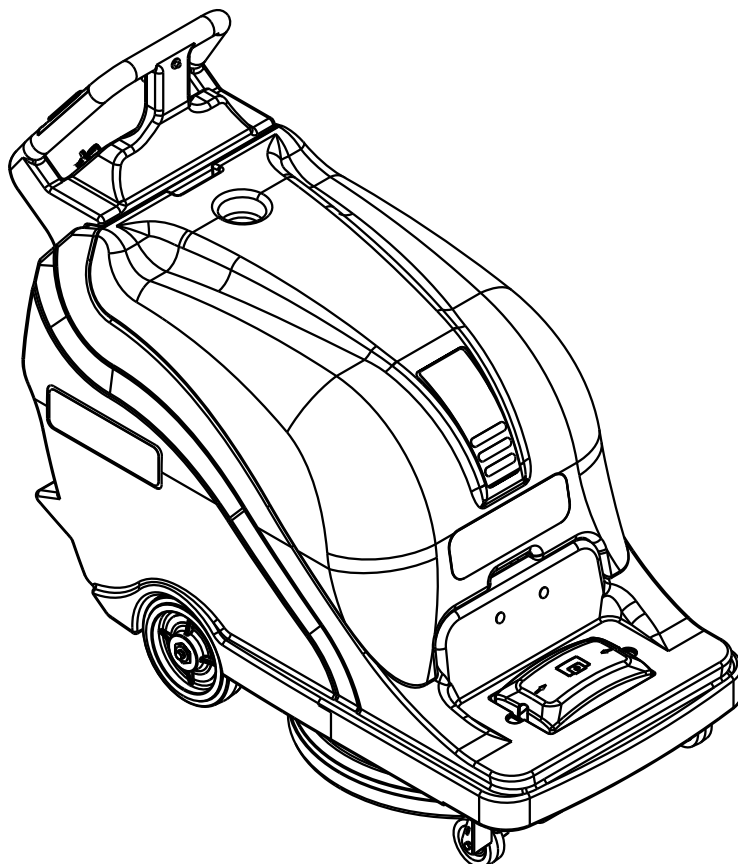


# PARTS LIST

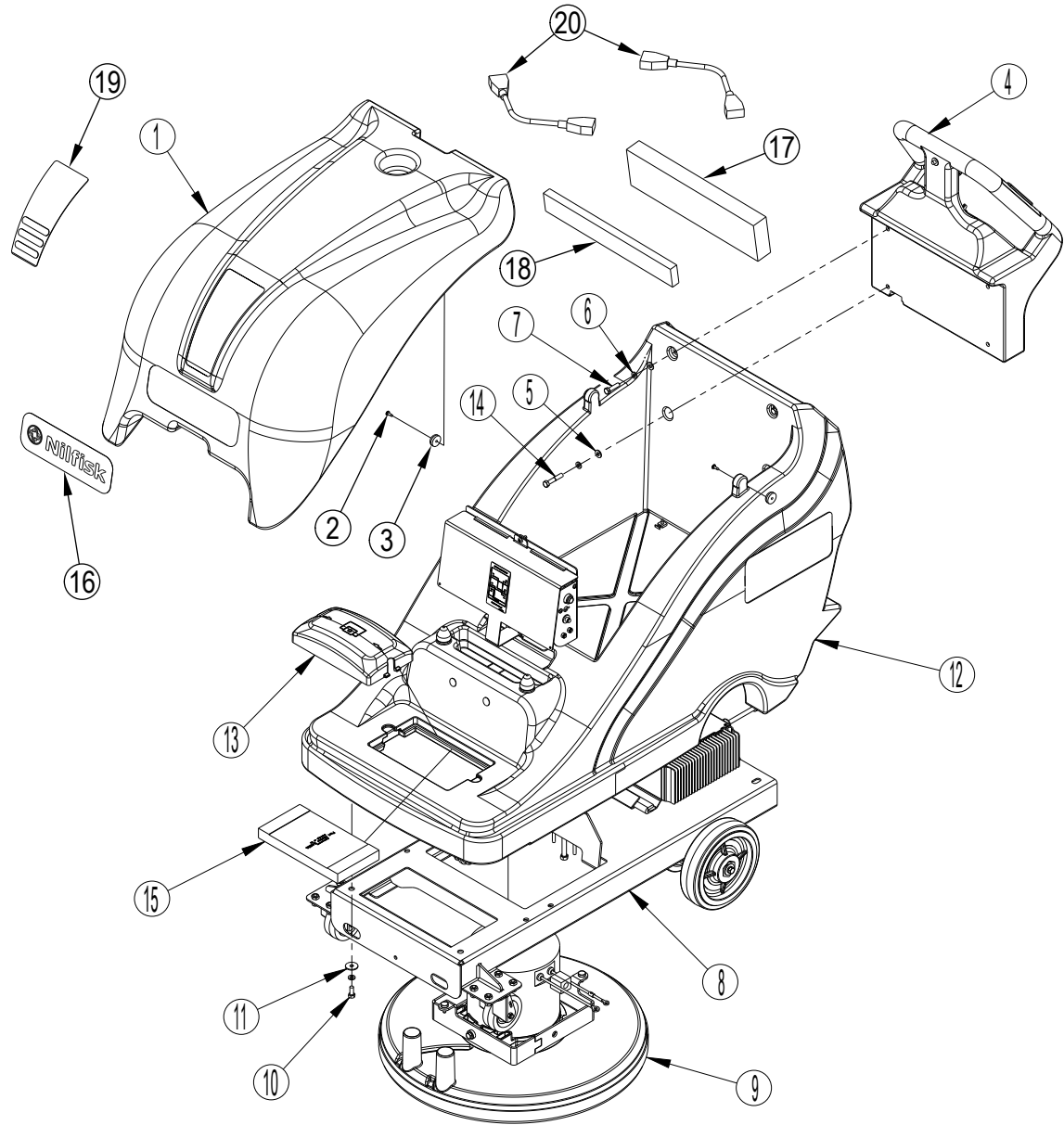


2018.02.19

# TABLE OF CONTENTS

---

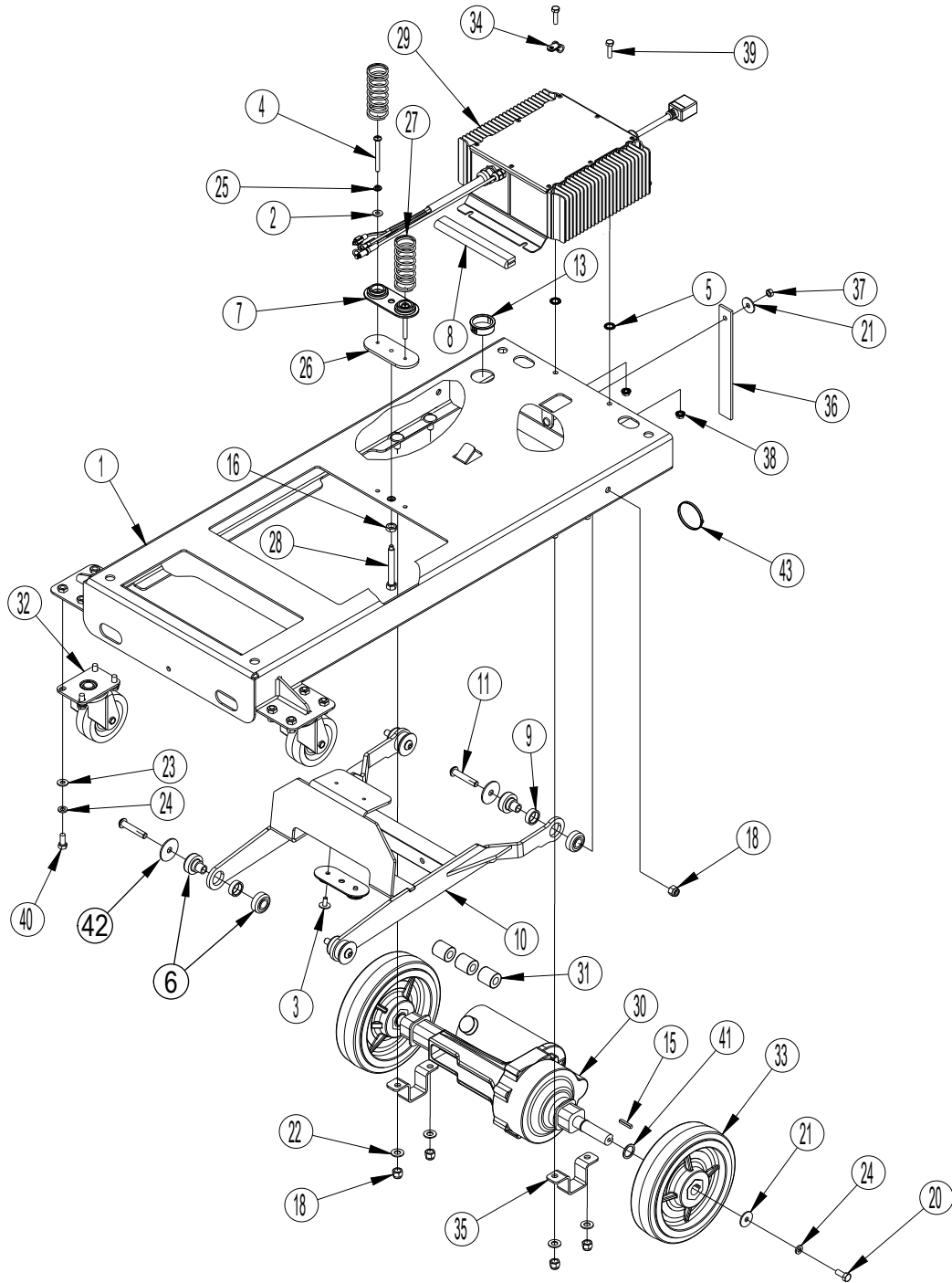
Assembly - BU800 .....	1
Frame Assembly .....	3
Handle Assembly .....	5
Body Assembly .....	7
Head Assembly .....	9
Active Vac Kit .....	11
Transaxle .....	13
Ladder Diagram .....	15
Recommended Spare Parts .....	17
56383233 - BURNISHER ANTI-VIBRATION KIT .....	19



No.	Part No.	Qty.	Description	Part Note
1	56383542	1	COVER-TOP-BU800	
2	962957	2	SCREW 10 16 X 1/2 HI LO	
3	51609A	2	BUMPER-REAR	
4		1	Handle, Asm.	[1]
5	980651	4	WASHER 5/16 SAE FLAT	[2]
6	980652	8	WASHER LK 5/16 REGPLTD	
7	85814A	2	SCREW 5/16-18 X 1 1/4 HX HD	
8		1	Frame Assembly, 20" Traverse	[3]
9		1	Head Assembly, 20"	[4]
10	85811A	4	BOLT 5/16-18 X 3/4 HX HD	[5]
11	980205	4	WASHER .312 ID/1.06	
12		1	Body Assembly	[6]
13	30741A	1	COVER DUST BAG	
14	56002368	2	SCR HEX THD/HD 5/16-18 X 1.75	[7]
15	54195A	1	BAG DUST 10PC	
16	56016731	1	DECAL NILFISK	
17	56383330	1	SPACER BATTERY	
18	56383494	1	SPACER-BATTERY-15.5X2.0X.75	
19	56383545	1	DECAL-FRONT-STRIPE	
20	41217A	2	CABLE BATTERY KIT 14662B	
	9100000882	3	CLAMP BATTERY POLE PLUS	[8]
	9100000883	3	CLAMP BATTERY POLE	[8]
			ACCESSORIES	
	56044650	1	LITERATURE PACK	
	54195A	1	BAG DUST 10PC	
	11223A	1	ACTIVE VAC KIT	
	976240	1	PADS CS20 AQUA ULTRA HS CS/5EA	[9]

Part Notes:

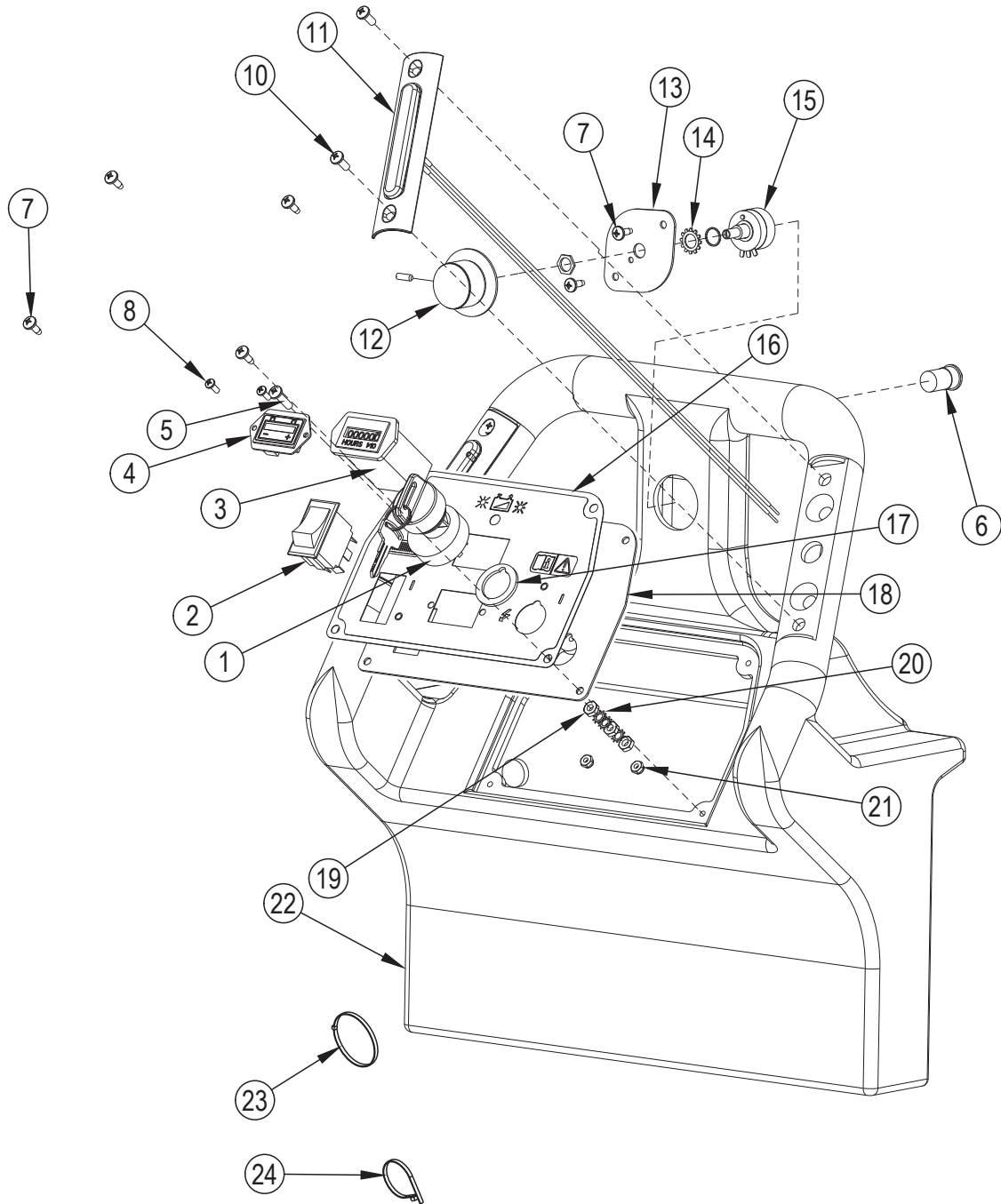
- [1] - Handle Assembly
- [2] - EXPIRED USE 56001939
- [3] - Frame Assembly
- [4] - Head Assembly
- [5] - EXPIRED USE 56002667
- [6] - Body Assembly
- [7] - GUARANTEE DATE EXPIRED
- [8] - Not Shown
- [9] - COMPLEXITY REDUCTION



No.	Part No.	Qty.	Description	Part Note
1		1	Chassis Weldment	
2	56002098	2	WASHER	
3	56109766	2	SCREW BUTTON HEAD 1/4-20 X .63	
4	962950	2	SCREW 1/4 20X3 PN ST PH	[1]
5	56003859	2	WASH-SERRATED EXT SS M10	
6	56383251	4	MOUNT VIBRATION DAMPING	
7	56383203	2	SEAT SOFT SPRING	
8	56383204	1	GASKET CHARGER	
9	56383205	4	SPACER STEEL	
10	56383212	1	HEAD LIFT WELDMENT 20/24	
11	56383250	4	SCR BUTTON SOC 3/8-16 X 2.00	
13	87060A	1	BUSHING INSULATING	
15	915044	2	KEY-3/16X3/16X1	
16	920148	1	NUT-3/8-16 HEX JAM	[2]
18	920342	6	NUT LK 3/8-16 REG	[3]
19	962244	4	BOLT 3/8 16 X HHCS	[4]
20	962620	2	SCR 5/16-24X 3/4 HX ST	
21	980205	3	WASHER .312 ID/1.06	
22	980645	4	WASHER 3/8 FLAT SAE	[5]
23	980651	8	WASHER 5/16 SAE FLAT	[6]
24	980652	10	WASHER LK 5/16 REGPLTD	
25	980657	2	WASHER LOCK 1/4 STD	
26	56381751	1	PLATE SPRING BASE	
27	56381854	2	SPRING COMPRESSION	
28	56382846	1	SCREW HEAD PRESSURE ADJ	
29	41036A	1	CHARGER BATTERY 36V 21A	
30	41043A	1	TRANSAXLE-36V-130RPM-0.22HP	
31	47202A	3	SUPRESSOR	
32	56383396	2	CASTER SWIVEL 3.5 SEALED	
33	54692A	2	WHEEL 8 TRAVERSE	
34	54768A	1	CLAMP P 5/16 STEEL	
35	62435A	2	CLAMP TRANSAXLE PNTD ENCORE	
36	69639A	1	STATIC STRAP FUSION	
37	56002491	1	NUT 1/4-20 SS THIN NYLOC	
38	81220A	2	NUTHEX SERRATED	[7]
39	85700A	2	SCR 1/4-20X1 HX ST CAP	
40	85811A	8	BOLT 5/16-18 X 3/4 HX HD	[8]
41	87616A	2	WASHER,NYLON	
42	56383253	4	WASHER SNUBBING	
43	699202	4	TIE-WIRE 935A	

Part Notes:

- [1] - GUARANTEE DATE EXPIRED
- [2] - EXPIRED USE 56009085
- [3] - EXPIRED USE 56002769
- [4] - EXPIRED USE 56002127
- [5] - EXPIRED USE 56002063
- [6] - EXPIRED USE 56001939
- [7] - EXPIRED USE 56001827
- [8] - EXPIRED USE 56002667

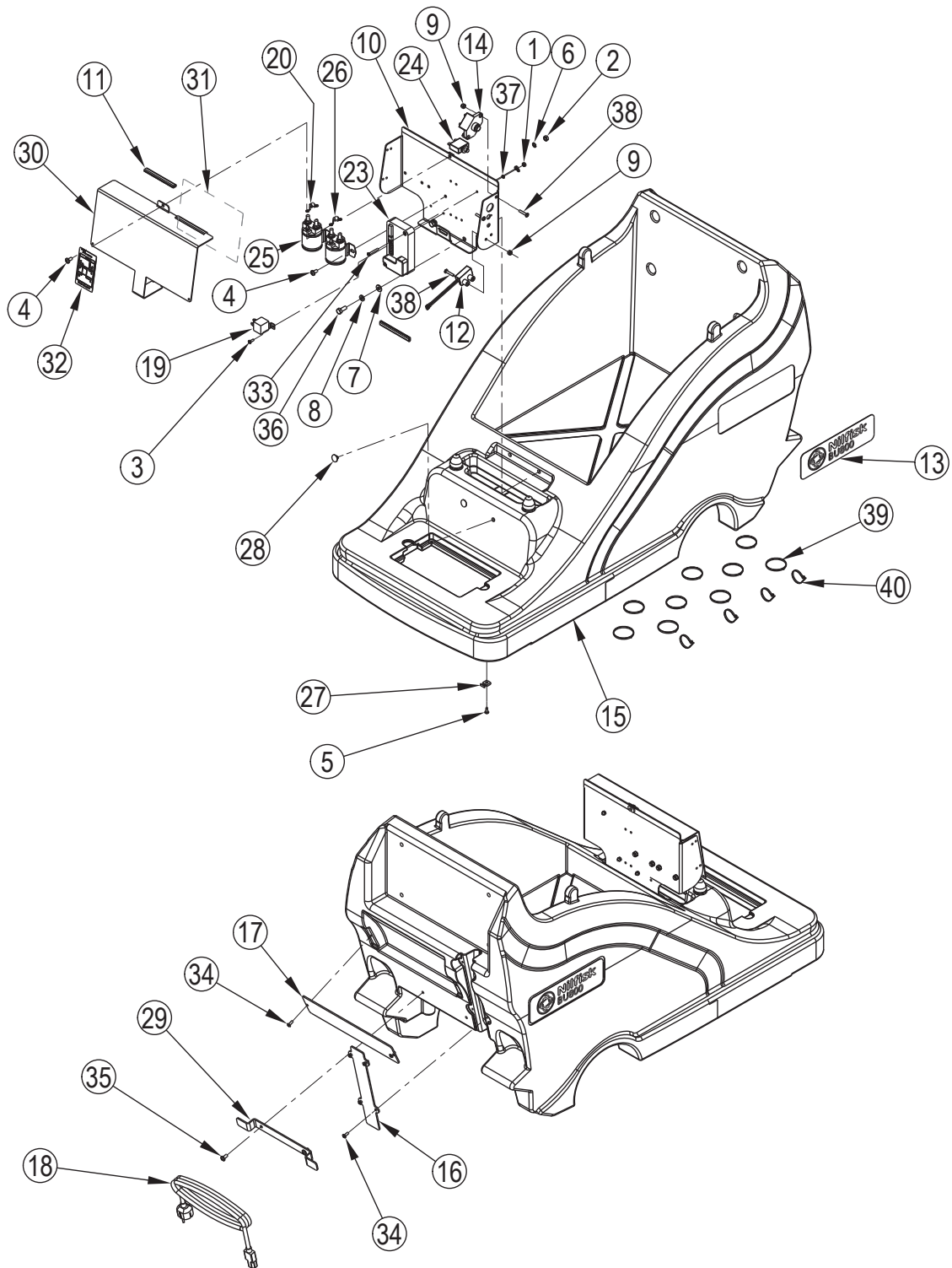


No.	Part No.	Qty.	Description	Part Note
1	40786A	1	SWITCH KEY HOBBS FOCUS WB	
2	47381B	1	SWITCH, DPDT 15A 3/4 HP N	
3	912226	1	METER-HOUR	
4	41008A	1	METER TRUCHARGE	
5	85383A	1	SCREW 10-32 X 3/4 PAN HD	
6	52556A	1	SWITCH PUSH BUTTON	
7	962957	6	SCREW 10 16 X 1/2 HI LO	
8	85313C	2	SCR 6-32 X 3/8 PAN HD	
9			Intentionally Omitted	
10	80104A	4	SCREW 10-32 X 1/2 OVAL HEAD	
11	11178A	2	SWITCH HANDLE ASSY	
12	50962A	1	KNOB CONTROL ENCORE 2426	
13	61922A	1	PLATE POTENTIOMETER	
14	980666	1	WASHER 3/8 EXT. STAR	
15	40750A	1	HARNESS WIRING POT DLX	
16	71424A	1	LABEL CONTROL PANEL ADV 20BT	
17	40786S	1	SPACER KEY SWITCH FOCUS	
18	61906A	1	PANEL CONTROL ADVOLUTION TRAV	
19	920224	3	NUT-10X32 HEX	
20	980603	4	WASHER,LK #10 EXT TOOTH(P)	[1]
21	920056	2	NUT-6X32 ELASTIC STOP	[2]
22	30684A	1	HANDLE ADVOLUTION 20BT	
23	699202	1	TIE-WIRE 935A	
24	56478246	1	CABLE TIE E00549 RE438B	

Part Notes:

- [1] - EXPIRED ON 1/31/2018
- [2] - EXPIRED USE 16USP

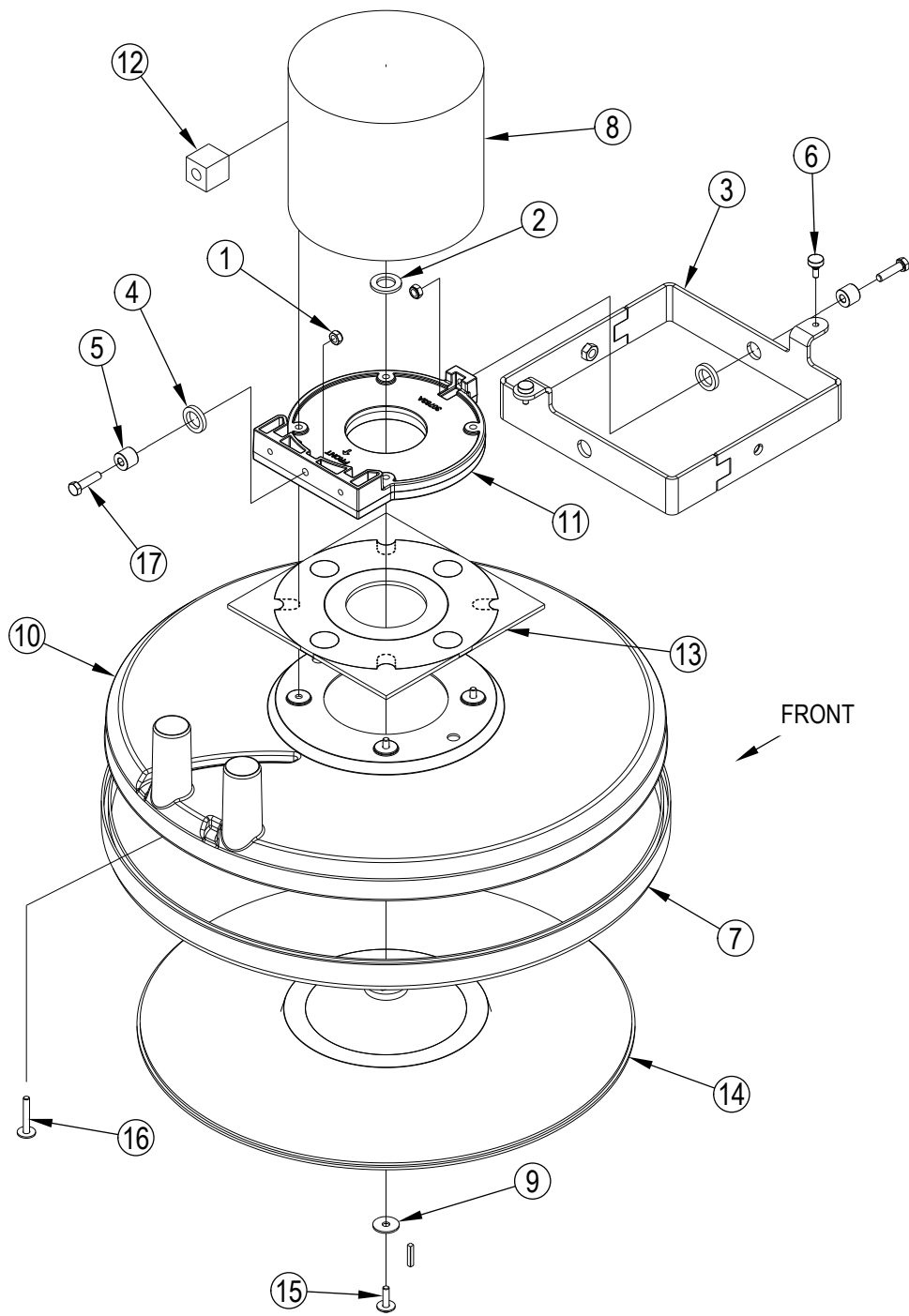




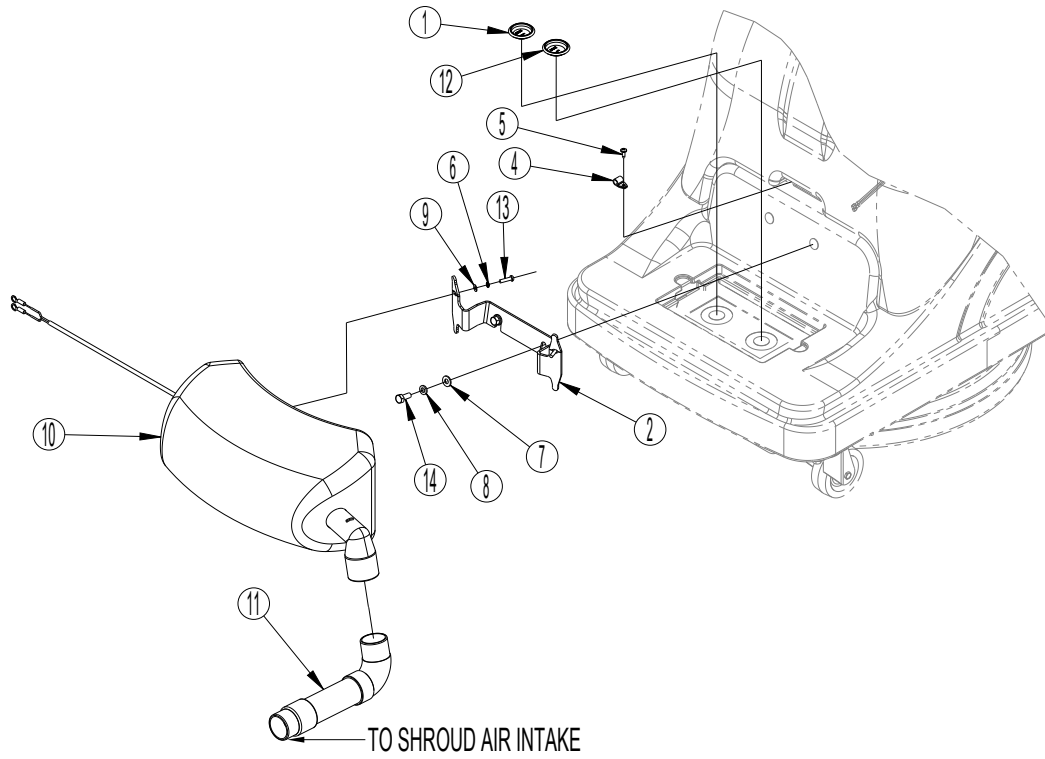
No.	Part No.	Qty.	Description	Part Note
1	56009148	3	NUT HEX MACHINE 8-32	
2	920208	4	NUT,HEX 1/4-20(PLTD)	[1]
3	56002507	1	SCR PAN PHIL 1/4-20X0.75	
4	962823	5	SCR 1/4 -20X 1/2 PN*ST	[2]
5	962957	3	SCREW 10 16 X 1/2 HI LO	
6	980614	4	WASHER LK 1/4 EXT	
7	980651	2	WASHER 5/16 SAE FLAT	[3]
8	980652	2	WASHER LK 5/16 REGPLTD	
9	56002873	3	NUT HEX NYL LOC 10-32	
10	56381710	1	PLATE ELECTRICAL WLDMT	
11	56383244	3	TRIM LOCK 4-INCH	
12	56383487	1	SWITCH-TILT	
13	56383544	2	DECAL-BU800-NILFISK	
14	56393722	1	CIRCUIT BREAKER 70A	
15	30778A	1	BODY ADVOLUTION 20B & 20BT	
16	38739A	1	COVER HARNESS	
17	38740A	1	STRAP DUST BAG	
18	40770A	1	CORD CHARGER EURO WB FOCUS	
19	41007A	1	RELAY TRAVERSE POWER	
20	41022A	1	DIODE AVALANCHE ASSY	
21	41038A	1	HARNESS LOGIC 20 BAT BURN TRA	
22	41041A	1	HARNESS POWER 20 BAT BURN TRA	
23	41042A	1	CONTROLLER I DRIVE 36V	
24	41448B	1	BREAKER, CIRCUIT 30A, SCR	
25	41801A	2	CONTACTOR 36V	
26	42401A	1	DIODE ASM-CONTACTOR	
27	52548A	3	TAB 1/4 SCREW ENCORE 17	
28	54770A	2	FASTENER RATCHET	
29	61598A	1	BRACKET CORD WRAP	
30	61909A	1	COVER ELECTRICAL PANEL	
31	79984A	1	LABEL CONNECTION DIAG 20 TRAV	
32	79985A	1	LABEL BATTERY CONNECTION	
33	80380A	2	SCREW 8-32 X 1-1/4 PH	
34	84237A	6	SCREW 10-32 X 1/2 PAN	
35	85395A	2	SCREW 1/4 20 X 1/2 PAN	
36	85811A	2	BOLT 5/16-18 X 3/4 HX HD	[4]
37	87200A	3	WASHER 8 INT TOOTH LOCK	
38	98470A	3	PHILLIPS 10-32 x 1.0	
39	699202	9	TIE-WIRE 935A	
40	56478246	4	CABLE TIE E00549 RE438B	

Part Notes:

- [1] - EXPIRED USE 2-00-00594
- [2] - EXPIRED USE 56002145
- [3] - EXPIRED USE 56001939
- [4] - EXPIRED USE 56002667



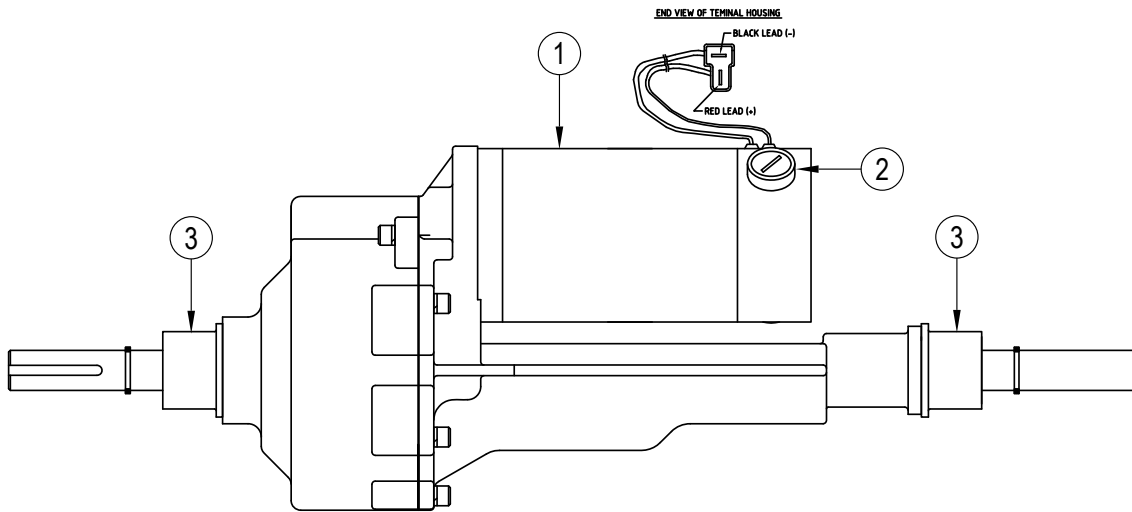
No.	Part No.	Qty.	Description	Part Note
1	56002826	2	NUT HEX NYLOC THIN 5/16-1	
2	56009022	1	WASHER, FLT	
3	56383206	1	MOTOR MOUNT WELDMENT	
4	56383218	2	WASHER RUBBER	
5	56383219	2	SPACER	
6	56383224	2	BUMPER BUTTON	
7	56393565	1	SKIRT ASSY (SDH 5120)	
8	41066A	1	MOTOR 2 HP 36V 1500 RPM	
	56407500	1	BRUSH ASSEMBLY KIT	
9	980205	1	WASHER .312 ID/1.06	
10	30739A	1	SHROUD DUST	
11	30783A	1	MOTOR MOUNT	
12	40849A	1	SUPPRESSOR EMI SPLIT	
13	54435A	1	GASKET 2 PCS	
14	56925A	1	PAD DRIVER ASM (1500-2500	
	57369A	1	BLUE RETAINER, PAD, "BOTRetainer Pad Bot Half Only	
15	80292A	1	SCREW .25-20 X 1.00 BHHR SEMS	
16	80297A	4	SCREW 1/4-20 X 1.75 BH ZP SEMS	
17	85814A	2	SCREW 5/16-18 X 1 1/4 HX HD	



No.	Part No.	Qty.	Description	Part Note
	11223A	1	ACTIVE VAC KIT	[1]
1	56380133	1	PLUG-HOLE 1-5/16	[2]
2	56383226	1	BRACKET ACTIVE VAC	
4	872102	1	NYLON CLIP-5/16 OD	
5	962957	1	SCREW 10 16 X 1/2 HI LO	
6	980650	2	WASH .19 x .34 x .04 LOCK	
7	980651	2	WASHER 5/16 SAE FLAT	[3]
8	980652	2	WASHER LK 5/16 REGPLTD	
9	980982	2	WASHER 10 SAE FLAT PLTD	
10		1		[4]
11	38044A	1	HOSE VAC	
12	38045A	1	PLUG HOLE 1 3/8	[2]
13	80205A	2	SCREW M5-.8 X 20MM P.P.HD	
14	85811A	2	BOLT 5/16-18 X 3/4 HX HD	[5]
			Accessories	
	140 6554 010	A/R	DUST BAG 5 PC	
	140 6794 010	A/R	PREFILTER (**ROUND**)	
	140 6597 500	A/R	EXHAUST FILTER UZ 964 3PC	
	140 6908 000	A/R	CLOTH BAG	

## Part Notes:

- [1] - This is offered as an optional kit only
- [2] - Optional usage depending on application
- [3] - EXPIRED USE 56001939
- [4] - The vacuum unit is not available separately. If you need to replace it please order the kit 11223A
- [5] - EXPIRED USE 56002667

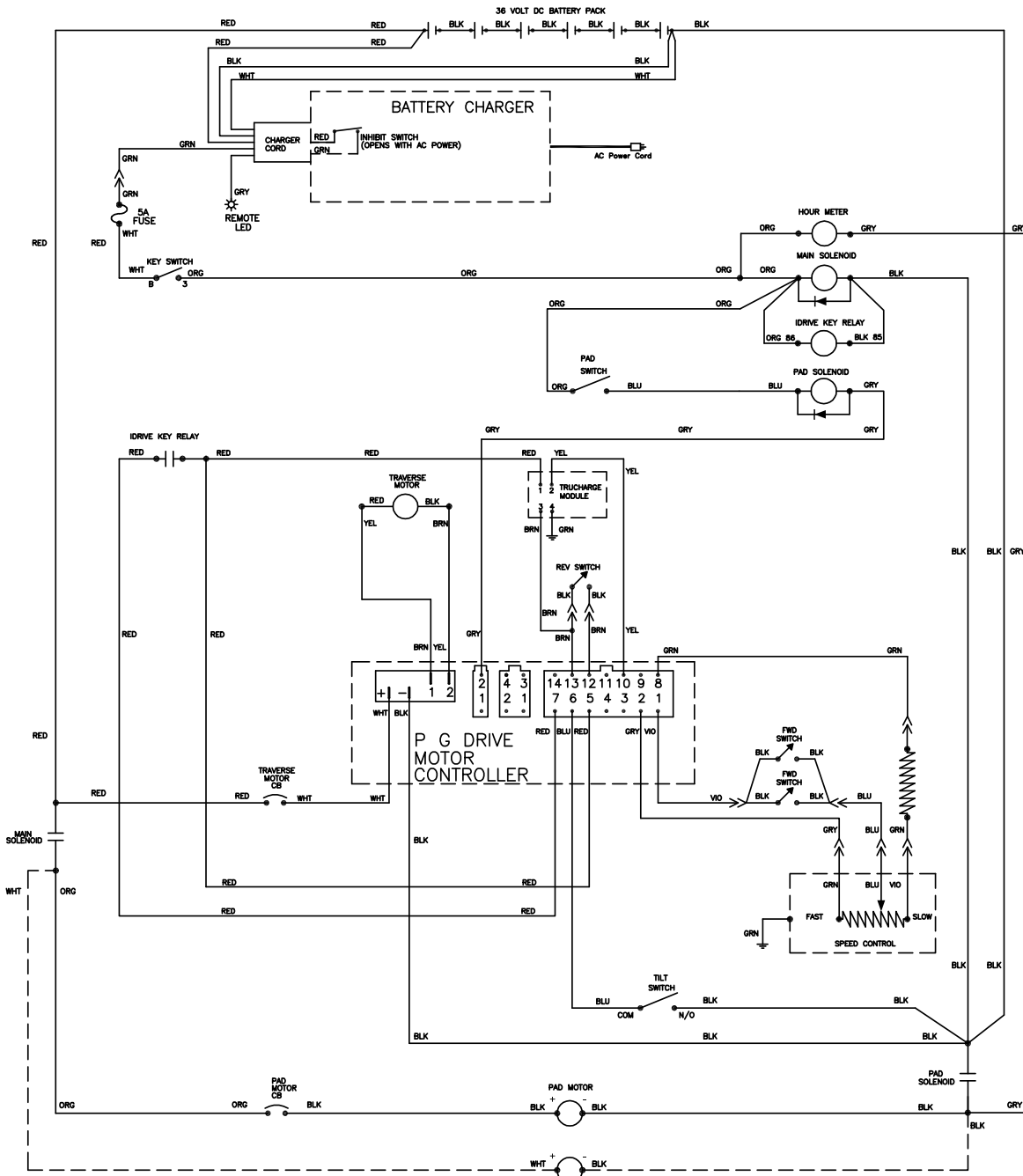


No.	Part No.	Qty.	Description	Part Note
1	52804A	1	MOTOR-TRANSAXLE	[1]
2	56385098	1	MOTOR BRUSH KIT	
3	56315379	2	MOUNTING SLEEVE NEOPRENE	
	52801A	1	COUPLER-MOTOR DRIVE	

Part Notes:

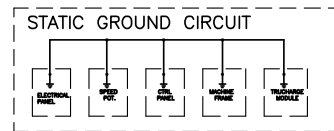
[1] - Voltage: 36 VDC - Free Speed: ~ 130 RPM - Torque: 140 in-lbs @ 110 RPM (Ref. Only)





- PENNY & GILES  
CONTROL CONNECTIONS**
- 1 THROTTLE WIPER
  - 2 THROTTLE HIGH
  - 3 AUX 2 OUT
  - 4 SLOW/FAST SWT
  - 5 KEY SW
  - 6 INHIBIT 1 PROGRAM TO INHIBIT TRAV AND PAD WHEN TILT SWITCH IS CLOSED
  - 7 FUSED 36V OUT
  - 8 THROTTLE LOW
  - 9 BELLY SWT
  - 10 STATUS IND.
  - 11 AUX 3 OUT
  - 12 REV SWT
  - 13 0 VOLT
  - 14 INHIBIT 2 CHARGER

OPTION  
ACTIVE VAC  
(120VAC OPERATES AT  
36VDC)





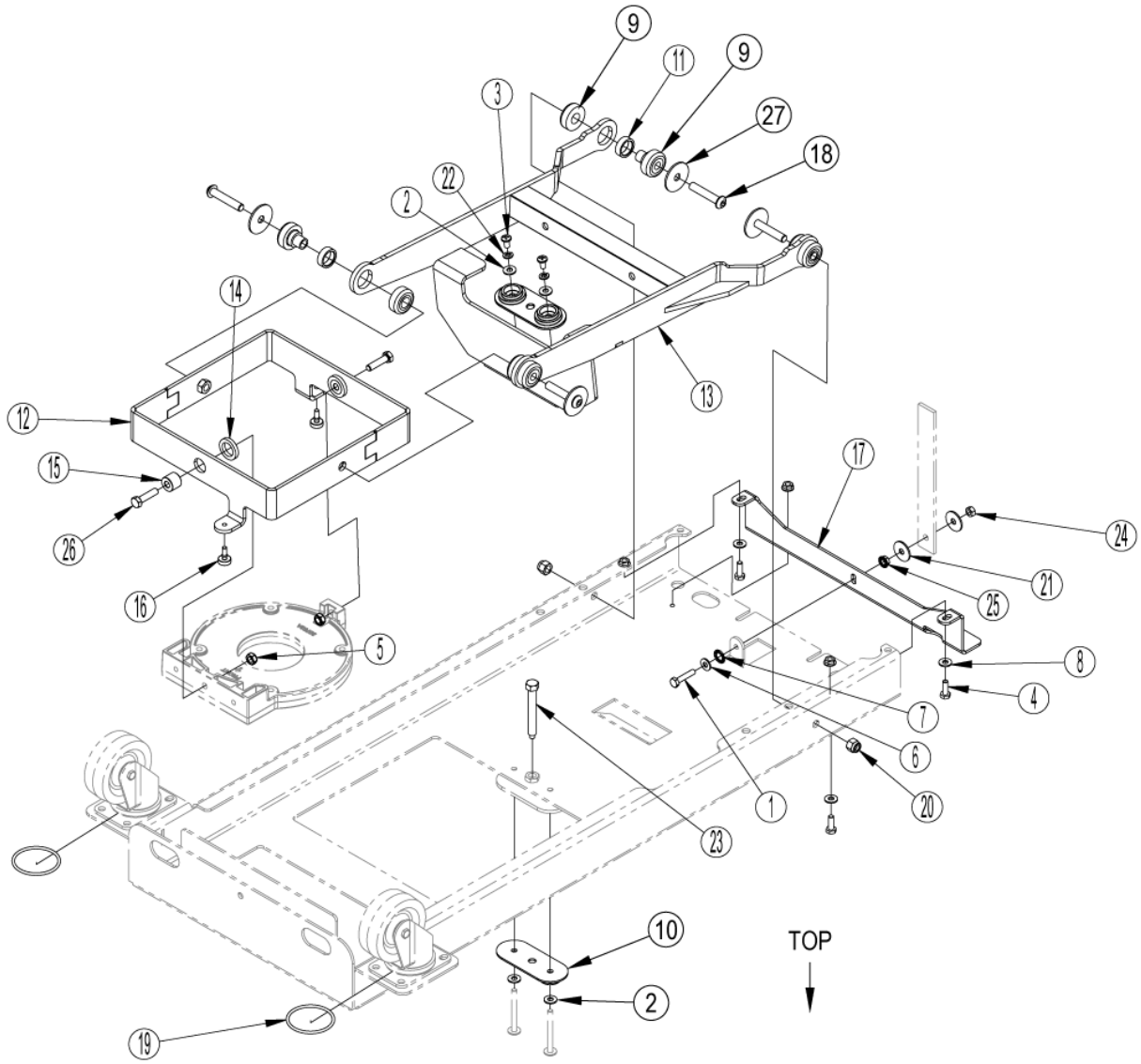
**No  
Diagram  
Available**

**Parts List  
Only**

No.	Part No.	Qty.	Description	Part Note
	54195A	1	BAG DUST 10PC	[1]
	56393565	1	SKIRT ASSY (SDH 5120)	[1]
	57369A	1	BLUE RETAINER, PAD, "BOT	[1]
	56383251	4	MOUNT VIBRATION DAMPING	[2]
	56383396	2	CASTER SWIVEL 3.5 SEALED	[2]
	54692A	2	WHEEL 8 TRAVERSE	[2]
	56407500	1	BRUSH ASSEMBLY KIT	[2]
	41066A	1	MOTOR 2 HP 36V 1500 RPM	[2]
	56925A	1	PAD DRIVER ASM (1500-2500	[2]
	52804A	1	MOTOR-TRANSAXLE	[2]
	56315379	2	MOUNTING SLEEVE NEOPRENE	[2]
	52803A	2	BRUSH CARBON	[2]
	41043A	1	TRANSAXLE-36V-130RPM-0.22HP	[3]
	41036A	1	CHARGER BATTERY 36V 21A	[3]
	40786A	1	SWITCH KEY HOBBS FOCUS WB	[3]
	47381B	1	SWITCH, DPDT 15A 3/4 HP N	[3]
	41008A	1	METER TRUCHARGE	[3]
	11178A	2	SWITCH HANDLE ASSY	[3]
	40750A	1	HARNES WIRING POT DLX	[3]
	71424A	1	LABEL CONTROL PANEL ADV 20BT	[3]
	41801A	2	CONTACTOR 36V	[3]
	41042A	1	CONTROLLER I DRIVE 36V	[3]
	56383487	1	SWITCH-TILT	[3]
	41007A	1	RELAY TRAVERSE POWER	[3]
	56393722	1	CIRCUIT BREAKER 70A	[3]
	41448B	1	BREAKER, CIRCUIT 30A, SCR	[3]

## Part Notes:

- [1] - NORMAL WEAR  
 [2] - ORDINARY MAINTENANCE  
 [3] - EXTRAORDINARY MAINTENANCE



## 56383233 - BURNISHER ANTI-VIBRATION KIT

BU800 51BT NIL

2017.11.02

2017.11.22

No.	Part No.	Qty.	Description	Part Note
00	56383233	1	KIT-BURNISHER ANTI-VIBRATION	[1]
01	56001878	1	SCR, HEX 1/4-20 X 1.25	
02	56002098	4	WASHER	
03	56002145	2	SCREW PAN HEAD	
04	56002155	4	SCR HEX 1/4-20 X .75	
05	56002826	2	NUT HEX NYLOC THIN 5/16-1	
06	56002859	1	WASHER FLAT S/S 1/4	
07	56003859	1	WASH-SERRATED EXT SS M10	
08	56009064	4	WSH INT SHPRF 1/4	
09	56383251	4	MOUNT VIBRATION DAMPING	
10	56383203	2	SEAT SOFT SPRING	
11	56383205	4	SPACER STEEL	
12	56383206	1	MOTOR MOUNT WELDMENT	
13	56383212	1	HEAD LIFT WELDMENT 20/24	
14	56383218	2	WASHER RUBBER	
15	56383219	2	SPACER	
16	56383224	2	BUMPER BUTTON	
17	56383232	1		
18	56383250	4	SCR BUTTON SOC 3/8-16 X 2.00	
19	56900038	2		
20	56002769	2	3/8-16 NYL LOC NUT	
21	980205	2	WASHER .312 ID/1.06	
22	980657	2	WASHER LOCK 1/4 STD	
23	56382846	1	SCREW HEAD PRESSURE ADJ	
24	81104A	1	NUT 1/4 -20 NYLOCK	
25	56001827	5	NUT HEX SERRATED 1/4 20	
26	85814A	2	SCREW 5/16-18 X 1 1/4 HX HD	
27	56383253	4	WASHER SNUBBING	

## Part Notes:

[1] - TSB-FC-2013-119 Battery Burnisher Vibration

