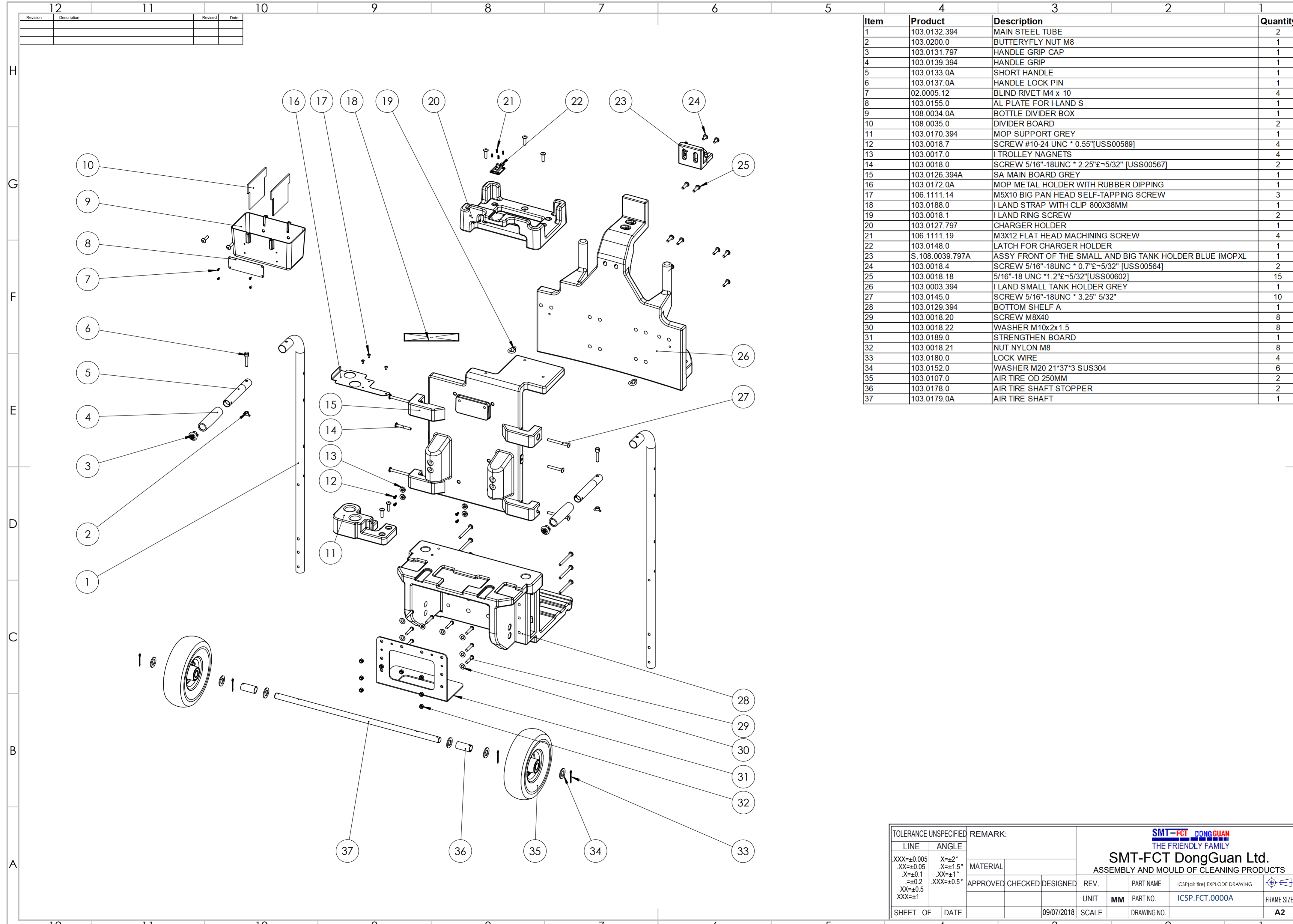


Revision	Description	Revised	Date



Item	Product	Description	Quantity
1	103.0132.394	MAIN STEEL TUBE	2
2	103.0200.0	BUTTERFLY NUT M8	1
3	103.0131.797	HANDLE GRIP CAP	1
4	103.0139.394	HANDLE GRIP	1
5	103.0133.0A	SHORT HANDLE	1
6	103.0137.0A	HANDLE LOCK PIN	1
7	02.0005.12	BLIND RIVET M4 x 10	4
8	103.0155.0	AL PLATE FOR I-LAND S	1
9	108.0034.0A	BOTTLE DIVIDER BOX	1
10	108.0035.0	DIVIDER BOARD	2
11	103.0170.394	MOP SUPPORT GREY	1
12	103.0018.7	SCREW #10-24 UNC * 0.55"[USS00589]	4
13	103.0017.0	I TROLLEY NAGNETS	4
14	103.0018.0	SCREW 5/16"-18UNC * 2.25"£~5/32" [USS00567]	2
15	103.0126.394A	SA MAIN BOARD GREY	1
16	103.0172.0A	MOP METAL HOLDER WITH RUBBER DIPPING	1
17	106.1111.14	M5X10 BIG PAN HEAD SELF-TAPPING SCREW	3
18	103.0188.0	I LAND STRAP WITH CLIP 800X38MM	1
19	103.0018.1	I LAND RING SCREW	2
20	103.0127.797	CHARGER HOLDER	1
21	106.1111.19	M3X12 FLAT HEAD MACHINING SCREW	4
22	103.0148.0	LATCH FOR CHARGER HOLDER	1
23	S.108.0039.797A	ASSY FRONT OF THE SMALL AND BIG TANK HOLDER BLUE IMOPXL	1
24	103.0018.4	SCREW 5/16"-18UNC * 0.7"£~5/32" [USS00564]	2
25	103.0018.18	5/16"-18 UNC * 1.2"£~5/32"[USS00602]	15
26	103.0003.394	I LAND SMALL TANK HOLDER GREY	1
27	103.0145.0	SCREW 5/16"-18UNC * 3.25" 5/32"	10
28	103.0129.394	BOTTOM SHELF A	1
29	103.0018.20	SCREW M8X40	8
30	103.0018.22	WASHER M10x2x1.5	8
31	103.0189.0	STRENGTHEN BOARD	1
32	103.0018.21	NUT NYLON M8	8
33	103.0180.0	LOCK WIRE	4
34	103.0152.0	WASHER M20 21*37*3 SUS304	6
35	103.0107.0	AIR TIRE OD 250MM	2
36	103.0178.0	AIR TIRE SHAFT STOPPER	2
37	103.0179.0A	AIR TIRE SHAFT	1

TOLERANCE UNSPECIFIED		REMARK:		 <b>SMT-FCT DongGuan Ltd.</b> THE FRIENDLY FAMILY ASSEMBLY AND MOULD OF CLEANING PRODUCTS									
LINE	ANGLE	MATERIAL	APPROVED					CHECKED	DESIGNED				
XXX=±0.005	X=±2°					REV.	PART NAME	ICSP(air tire) EXPLODE DRAWING	UNIT	MM	PART NO.	ICSP.FCT.0000A	FRAME SIZE
.XX=±0.05	.X=±1.5°					SCALE	DRAWING NO.						A2
X=±0.1	.XX=±1°												
.=±0.2	XXX=±0.5°												
XX=±0.5													
XXX=±1													
SHEET OF	DATE					09/07/2018							