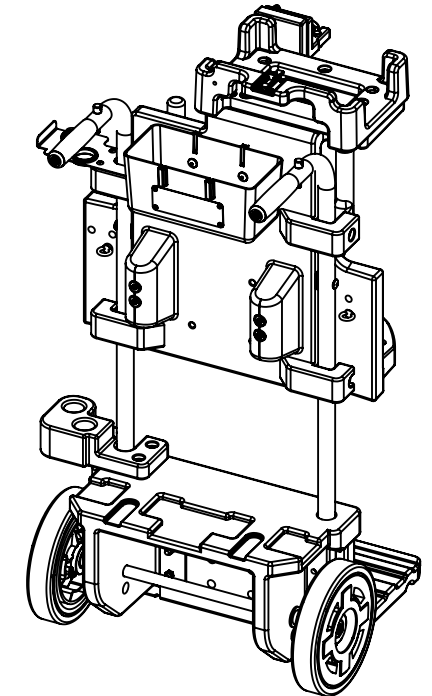
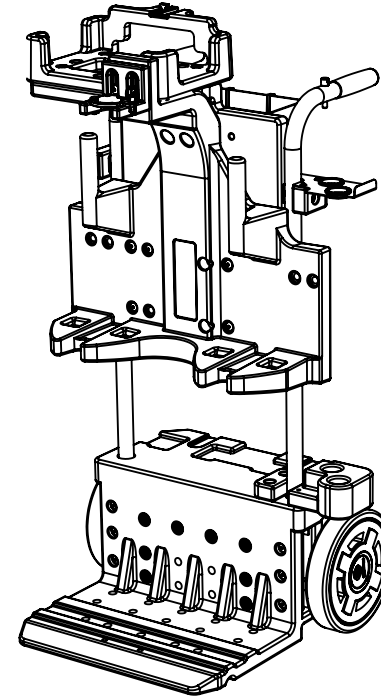


# Packing List



i-team®

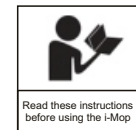
## INSTRUCTION MANUAL



I land SP packing list				
Item	Name	Photos	Quantity	Note
1	Bottom shelf with rear wheel		1	
2	Main board with magnets		1	
3	Small tank holder		1	
4	Charger holder		1	
5	Mop support		1	
6	Basket		1	
7	mop metal holder with fix screw		1	1# PE bag 103.0172.0 MOP METAL HOLDER 1pcs 103.0187.0 HOLDER RUBBER RING 2pcs 106.1111.14 M5X10 SCREW 3pcs
	belt with ring screw		1	2# PE bag 103.0188.0 I LAND STRAP WITH CLIP 800X38MM 1pcs 103.0018.1 I LAND RING SCREW 2pcs
	tools--L shape hexagon wrench 5/32"		1	3# PE bag 90.1009.2
	SCREW 5/16"-18UNC * 1.2", 5/32" 103.0018.18		13	4# PE bag 8 for small tank holder 3 for charger holder 2 for mop support
	SCREW 5/16"-18UNC * 3.25", 5/32" 103.0145.0		6	5# PE bag for fixing bottom shelf on steel tube
	SCREW 5/16"-18UNC * 3.25", 5/32" 103.0145.0		4	6# PE bag
	SCREW 5/16"-18UNC * 2.25", 5/32" 103.0018.0		2	for fixing main board on steel tube
	SCREW 5/16"-18UNC * 1.2", 5/32" 103.0018.18		2	7# PE bag for fixing basket on main board
	M10 nut		2	
holder for I mop locker and key fix screw		1	8# PE bag packed with 2 fix screws, locker&key in one bag	
8	steel tube		2	packed together in long box
9	short handle with lock pin		2	

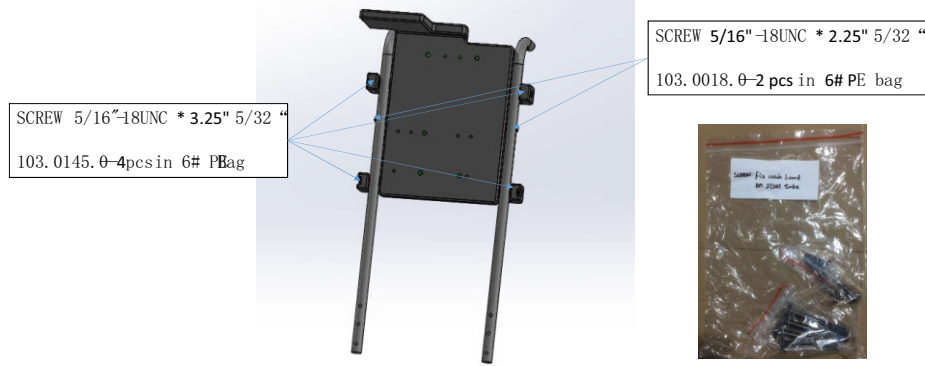
i-team®

i-land SP

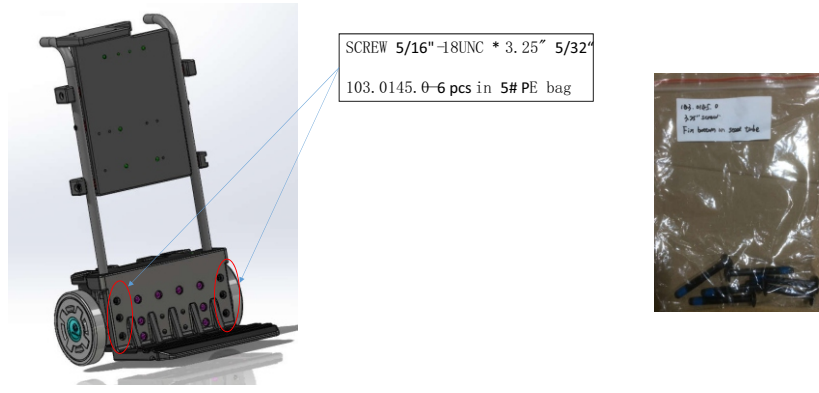


## Installation

1. Use 6 pcs 5/16" screw to install 2 pcs steel tube to main board.



2. Install steel tube in SA bottom shelf A with 6 pcs 5/16" screw.

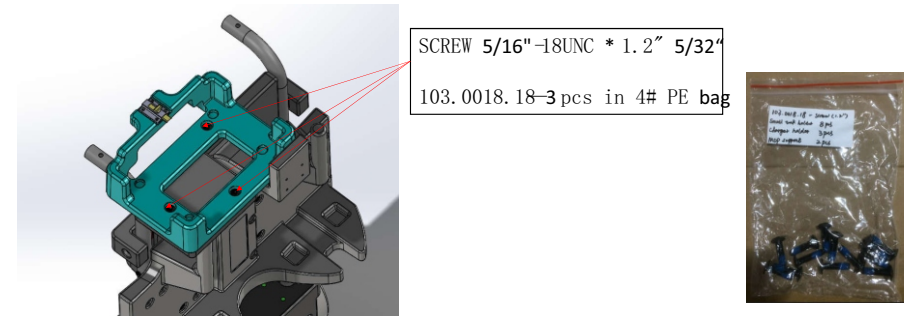


3. Install small tank holder to main board with 8 pcs 5/16" screw

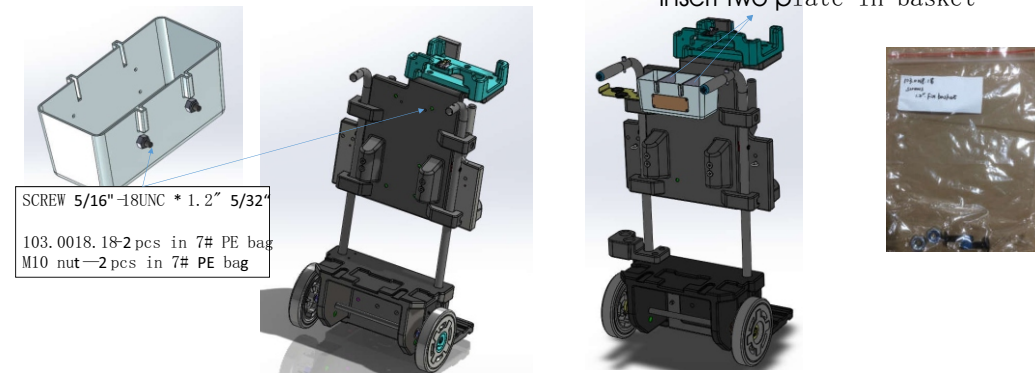


## Installation

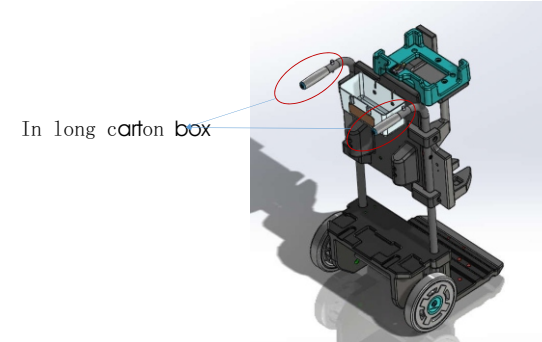
4. Install charger holder to main board with 3 pcs 5/16" screw



5. Install SA basket to main board with 2 pcs 5/16" screw, and use 2 pcs M10 nut as washer. Install two plates in basket

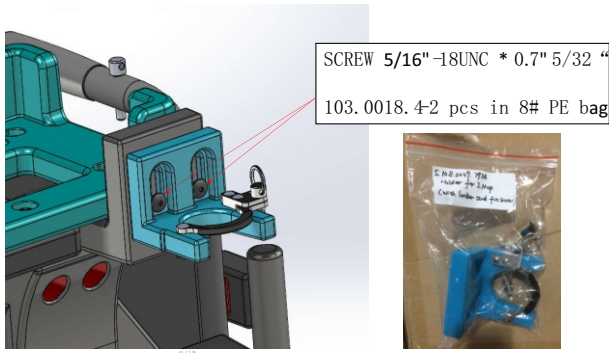


6. Install 2 pcs SA handle tube to steel tube



# Installation

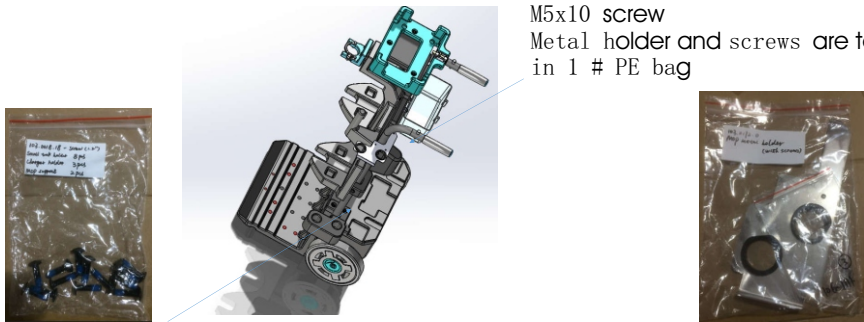
7. Install SA holder insert with 2 5/16" screw



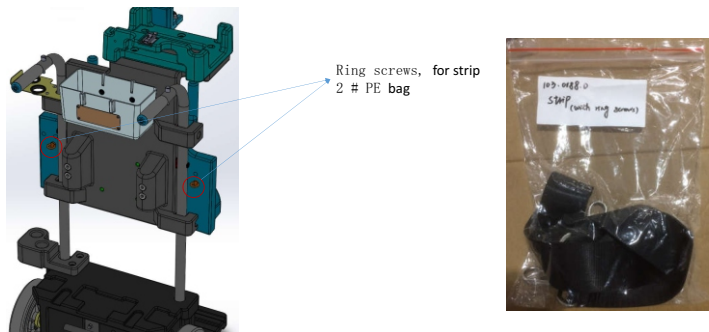
8. Install SA mop support with 2 5/16" screw

103.0018.18 - 2 pcs in 4# PE bag

Install SA metal holder with 3 pcs M5x10 screw  
Metal holder and screws are together in 1 # PE bag



9. Install 2 pcs ring screws and strip



# Operation

