



**I-GUM BATTERY VERSION**

# **USER MANUAL**

**CHEWING GUM REMOVAL , LI-ION BATTERY POWER**

# CONTENTS

---

Important Safety Instructions	01~03
Package Check List	04
Machine Parts	05
Preparation For Use	06~09
Installation 1	06~07
Installation 2	08
Instruction for control panel	09
Using the machine	10~11
Turning OFF the machine	11
Maintenance	12
Trouble shooting	13
<b>Accessory</b>	
<i>Product Specification</i>	14
<i>Electrical Diagram</i>	15
<i>Exploded drawing and spare parts list</i>	16~23
<i>Safety Data Sheet</i>	24~26

■ **IMPORTANT SAFETY INSTRUCTIONS**  
**READ ALL INSTRUCTIONS BEFORE USING THIS MACHINE**



**Warning!**

READ ALL INSTRUCTIONS  
BEFORE USING THE  
MACHINE



**Warning!**

Maintenance/service people  
(not i-gum operators)  
need to keep a distance to  
the integrated magnets in i-gum  
for 6 inch/15 cm when they are  
doing maintenance on i-gum  
and are wearing a pacemaker,

this is just a precaution advise



**LITHIUM-ION BATTERY**

Nominal Voltage:24V  
Energy/Capacity: 353 Wh<sup>r</sup>

**SAFETY ADVICE**

Do not crush, pierce  
or damage in any way.  
Do not heat or incinerate.  
Do not short-circuit.  
Do not dismantle.  
Do not immerse in any liquids.  
Only charge between  
5°C~40°C/41°F~ 104°F  
and discharge  
5°C~45°C/41°F~113°F



## ■ IMPORTANT SAFETY INSTRUCTIONS

### READ ALL INSTRUCTIONS BEFORE USING THIS MACHINE

DO NOT OPERATE THE MACHINE WITHOUT READING AND UNDERSTANDING THE OPERATING INSTRUCTIONS. IF THE MACHINE IS OPERATED INCORRECTLY IT CAN POSE DANGER TO THE OPERATOR AND OTHERS AND WILL INVALIDATE THE MANUFACTURERS WARRANTY. BEFORE USE, READ AND UNDERSTAND THE FOLLOWING:

1. A Risk Assessment for the works to be undertaken.
2. MSDS Chemical Data Sheet.
3. Risk Assessment for Chemical use.

#### IMPORTANT NOTICE:

Before inserting the batteries and gum removal solution correctly fit the machine to the operator by adjusting the straps as required. The machine's body has been designed to be kept upright at all times when the batteries are inserted to drawer and gum removal solution is in the water tank. This is important to the operation of the machine.

*Cautions when using the machine:*



- ✔ Keep the body upright at all times when operation or when chemical or batteries inserted.
- ✔ The rechargeable battery has been designed to be fully charged BEFORE each use
- ✔ Only use the approved solution and batteries for the safe use of the machine. Using other consumable items in the machine invalidated the warranty and will lead to damage of the internal parts of the machine and also may pose a risk to the operative.
- ✔ Make sure the operator has read and understood these instructions before attempting to use the machine and is fully trained in its operation.

*Consumable Items:*

Chemical (2 Litres) will last for approximately 2 hours of continual use. 4x chemical bottles will last for approximately 8 continual hour's operation.

The brushes will wear according to the surface being cleaned. Each Brush will last for approximately 4 hours. 2x Brushes will last for 8 hours continual operation. Only use the specifically designed brush as this has a jet incorporated for machine to work correctly.

Choose a steel wire brush for solid urban surface such as concrete, natural stone, tarmacadam, asphalt and other common urban surfaces. Choose a nylon brush for soft surfaces such as manmade flooring, sandstone, heavy-duty carpet.

## IMPORTANT NOTICE:

Always complete a test patch on the above surfaces to make sure no damage occurs to the flooring of surface

### *Service Pack:*

When a machine is purchased, it require a service pack. Each service pack provides a continuous 8 hours operation and consists of:

- 4x Chemical Bottles
- 1x Nylon wire Brush
- 3x Steel wire Brush

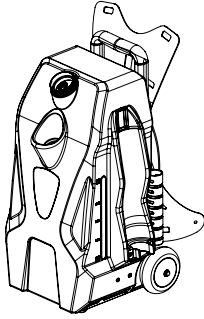
### ■ **Warranty:**

The Chewing Gum Removal machine should only be operated with the service packs supplied. Using alternative supplies may cause damage to the machine and cause a risk to the operative. Using alternative supplies voids manufacturer's warranty.

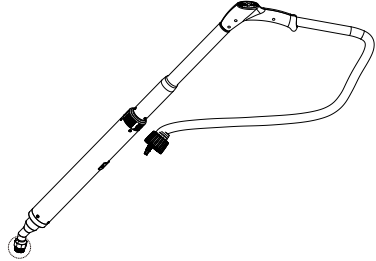
## ■ Package Check list:

When you open the color box and you can find the parts as below showing:

### Machine:



MAIN BODY 1x



LANCE 1x + NYLON WIRE BRUSH 1x

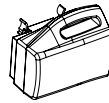
### Accessory:



Battery Charger 1x



Power Cable

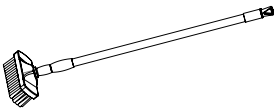


Top Battery 1x



Top Battery 1x  
Bottom Battery 1x

*This kit of battery & charger is packed according to the customer's order*



Broom with telescopic handle 1x



Nylon Wire Brush 1x



Steel Wire Brush 3x



Water Drop Disk 1x



Chemical bottles 4x



Brush Storage Tube 1x

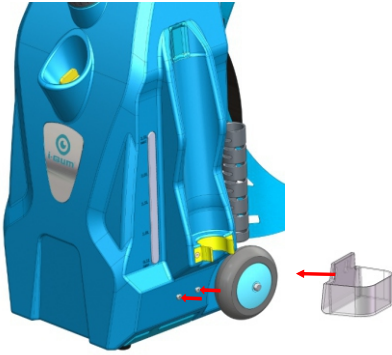
## ■ Machine parts:



## ■ Preparation For Use

### Installation1.

1. Install the water drop disk to body.



2. Screw a steel wire or nylon wire brush onto the end of the nozzle of the lance.



3. Place the lance in the lance holder of body. There are 2 magnets which hold the lance in position.  
*(The lance needs to be removed before the machine is fitted to the operative.)*

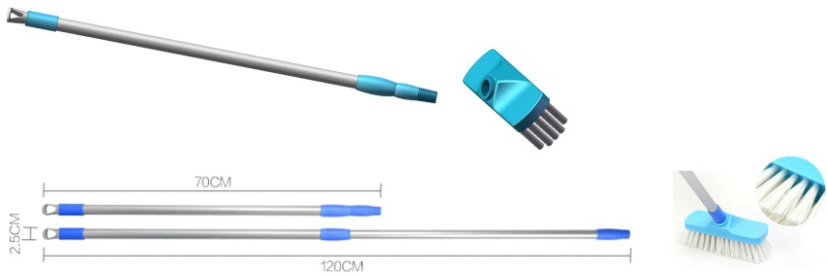




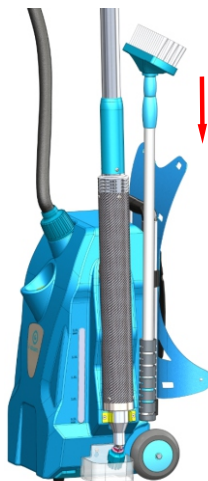
4. Open the brush storage tube cap and you can place the brushes in the tube.  
Insert the brush storage tube to the holder of body.



5. Assembly the brush to telescopic wand for the BROOM.



6. Insert the broom to broom holder of body.  
*(The Broom needs to be removed before the machine is fitted to the operative.)*

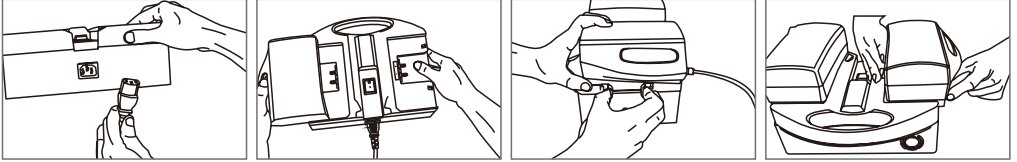


## ■ Preparation For Use

### Installation 2

*Before operating the machine:*

1. Ensure that the battery has been fully charged before each operation.  
Before you charge the battery, please read the INSTRUCTION MANUAL OF BATTERY CHARGER first. The manual is in the package of the charger box. please keep the manual.

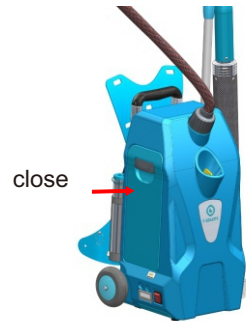
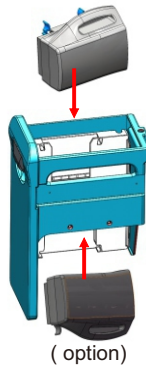


2. Pour solution into fluid tank.



Take off the fluid inlet cap and then pour solution into the fluid tank. (one bottle is for each time).

3. Insert Batteries

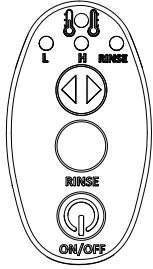


Open the battery storage drawer and install the batteries to the battery housing. Then push the storage drawer back (must be pushed into location).

*(You also can install one battery, the machine also can work.)*

# ■ Preparation For Use

## INSTRUCTION FOR CONTROL PANEL



ON/OFF Button: Power supply for handle control.



RINSE Button, In **FIRST** use, press the RINSE button for about 1 minute to pour fluid into boiler to avoid boiler heating up without fluid.  
In **NORMAL** use, we do not need to press this button for 1 minute, because the fluid will flow to boiler from pipe after few seconds.  
(The LED light will flush when we press the RINSE button)



H/L Button, Adjust the fluid flowing in low speed or high speed.  
(Flowing speed indicator light will be bright, and the heating LED will flush)



Rinse indicator light



Flowing speed indicator light

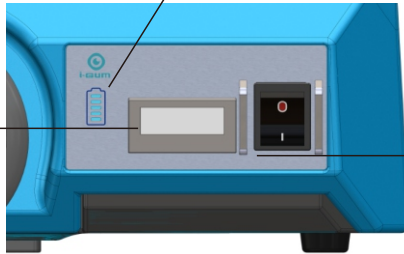


Heating indicator light

## INSTRUCTION FOR BODY CONTROL PANEL



Timer for machine using 9999H59M59S

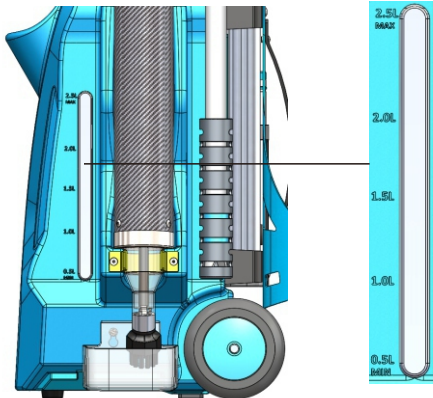


Battery Power Indicator



Main Switch For Power Supply

## INSTRUCTION FOR WATER LEVEL INDICATOR



The fluid tank capacity is 2.5L. Each use, we can input one chemical bottle into the tank. When low on fluid, the LED light of tank side will flash and the heater in lance will stop working and the heater indicator will flash.

When you pour Chemical into fluid tank, And then restart the main switch of body, the LED light will be bright, and press on/off button on handle, the heater will start to heat.

## ■ Using the machine:

### LOGIC FOR FIRST TIME OPERATION ( Just for the *first using* )



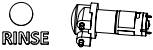
Turn on the Mainswitch on body



Turn on ON/OFF button on lance control panel



Press RINSE button on lance control panel

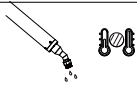


RISEN INDICATOR LIGHT flash, and pump will run in full speed.

***After about 1 minute, the fluid come out from brush of lance***



Release RINSE button on lance control panel



Fluid in boiler will start to heat up and the heating indicator will flash, the pump will automatically switch over to the low speed.

***After about 20 seconds, fluid will be heated to steam, and the steam will come out from brush of lance***



The steam will come out from the hole of brush, and the heating indicator will be bright. After few seconds, the steam temperature will be raised.



Change the L/H selector button for pump speed, And you can get less/more steam.



Place the brush on the piece of flattened gum, Agitate the flattened gum with the brush until you see it disintegrate by using circular motions-do not scrub or apply pressure. The weight of the lance with agitation is all that is required.

Remove the lance from the gum and use a broom to sweep across the area to ensure the gum has been destroyed or if further cleaning is needed.

As gum deposits are all different there will be varying times taken to destroy each piece.

## ■ Using the machine:

### LOGIC FOR NORMAL USE *(DO NOT press Rinse button to wait for 1 minute)*



Turn on the Main switch on body



Turn on ON/OFF button on lance control panel



Fluid in boiler will start to heat and heating indicator light will flush. And pump will automatic switch-over to low speed



*After about 20 seconds, the fluid will be heated to steam and steam will come out from brush of lance*



The steam will come out from the hole of brush, and the heating indicator will be bright. After few seconds, the steam temperature will be raised.



Change the L/H selector button for pump speed. And you can get less/more steam.



Place the brush on the piece of flattened gum, Agitate the flattened gum with the brush until you see it disintegrate by using circular motions-do not scrub or apply pressure. The weight of the lance with agitation is all that is required.

Remove the lance from the gum and use a broom to sweep across the area to ensure the gum has been destroyed or if further cleaning is needed.

As gum deposits are all different there will be varying times taken to destroy each piece.

## Turning OFF the machine:



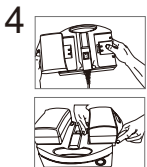
Turn off ON/OFF button on lance control panel.



Turn off the Main switch on the body.



Open the drawer and take out the batteries from battery housing.



Charge for batteries.



Place the lance to holder of body. Insert the broom to broom holder of body.

## ■ Maintenance

### Machine maintenance

The BATTERY VERSION I-GUM machine requires very little maintenance. Wipe down the machine periodically with a clean cloth. And wipe down the lance, and change the new brush for the lance. DO NOT spray water directly over the top of machine or top connector cap.



1. During interruptions of the cleaning process, always place the lance into the holder of body. And always place the machine upright on dry floor surface.



2. When the water drop disk is full, please empty and wash it, and then install back to body.



3. The yellow rubber bung must be pushed to the inlet hole, when you finish the fluid input. Otherwise dirt will infect the water tank.



DO NOT put any other fluid into the tank unless approved by the manufacturer.

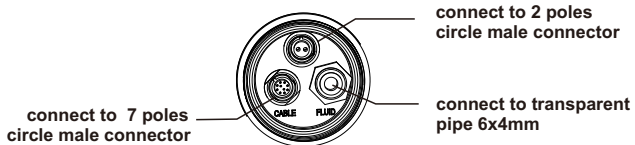


4. Make sure the batteries are charged 100% on the first charge.



5. The top cap for hose connector is assembled by the factory, DO NOT disassemble the hose connector cap unless qualified.

The connectors are showed as the picture:



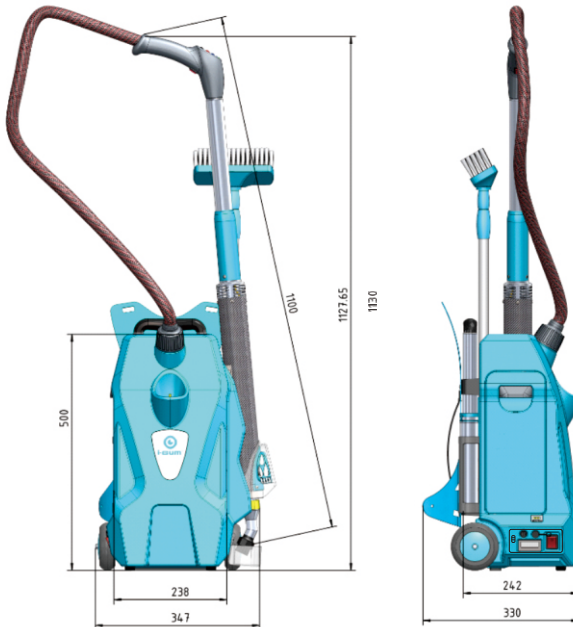
## ■ Trouble shooting

PROBLEM	CAUSE	SOLUTION
No power to machine	No battery insert to battery drawer	Insert to battery drawer
	Power switch failure	Replace power switch
	cable or wire in hose broken	Replace cable or wire for hose
No steam come out	The tank does not have any chemical in	Input the chemical from bottles
	The battery does not have energy	charge the battery
	The pump does not run	Replace pump
	The steam outlet hole is blocked	Change to use a new brush
Water level indicator LED light is flashing	The chemical is low in the tank	Pour the chemical into tank
Fluid leak from tank	The rubber bung is not fitted correctly	Fit the rubber bung
	Fluid tank is broken	Replace fluid tank
	The machine is being overturn	Make sure the machine is upright and the fluid will drain from the bottom of the machine
Battery can not be charged	The battery life is over	Change to use new battery
	Charge is bad	Replace for a new one

## ■ PRODUCT SPECIFICATION

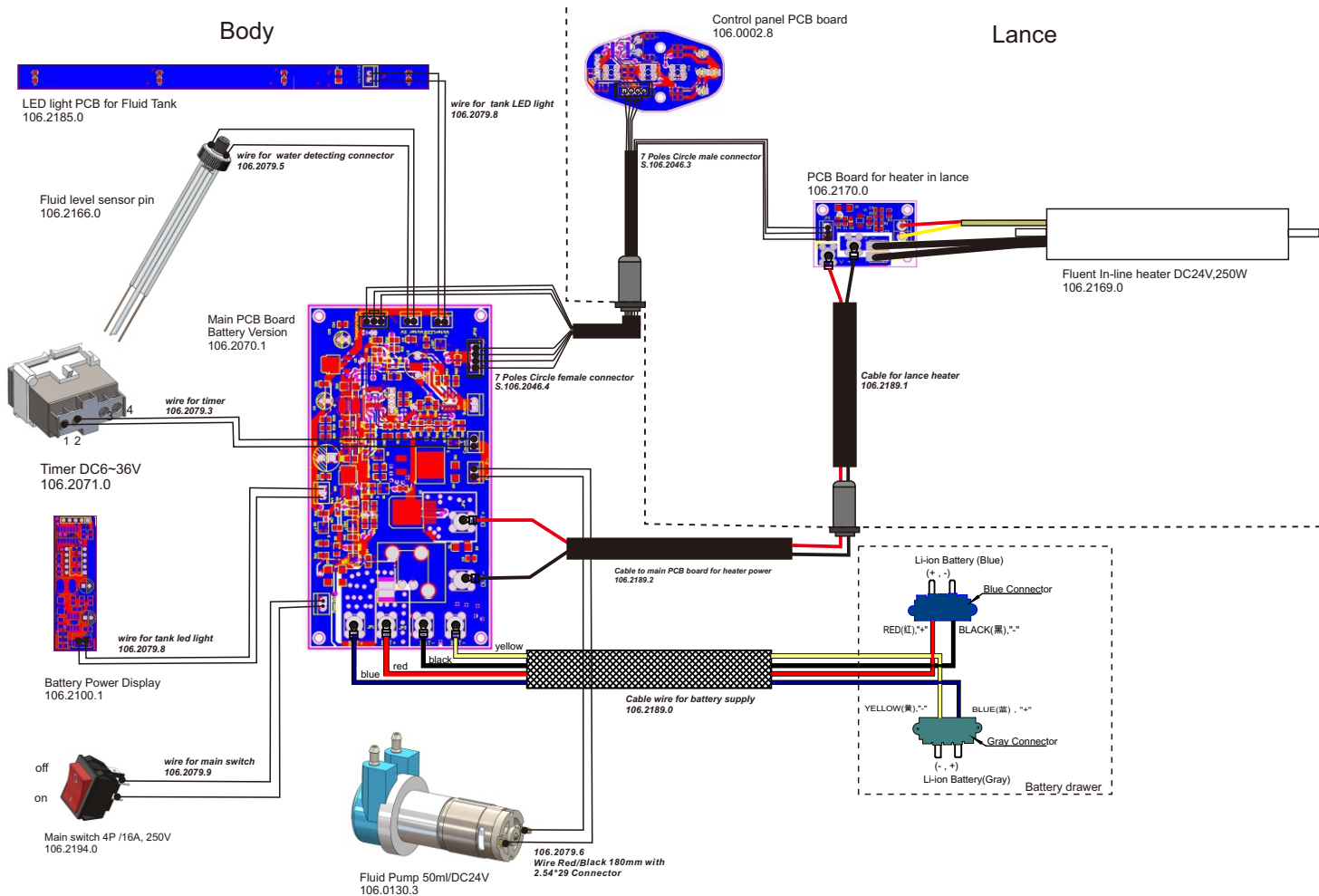
*battery version i-gum*

Product Size (body unit):	347*330*500 mm
Lance Size:	60*1100 mm
Weight (Included 1x battery):	10.5 kg
Lance Weight:	1.6 kg
Broom Extended Length:	1.3 M
Li-ion Battery:	DC24V (25.2V,14Ah, 353Wh <sup>*)</sup> )
Tank Capacity:	2.5 L
Battery Drawer :	Can install 2x Batteries
Operation Time of Battery :	About 50 min/ 1 Battery
Fluid Flow Speed Class:	Low, High
Control Panel in Handle:	YES
Trolley Handle:	YES
Transport Wheel:	YES
Backpack For Body Unit:	YES
Water Shortage Warning:	YES
Fluid Heater:	DC 24V, 250W





# ELECTRICAL DIAGRAM BATTERY I-GUM DC24V

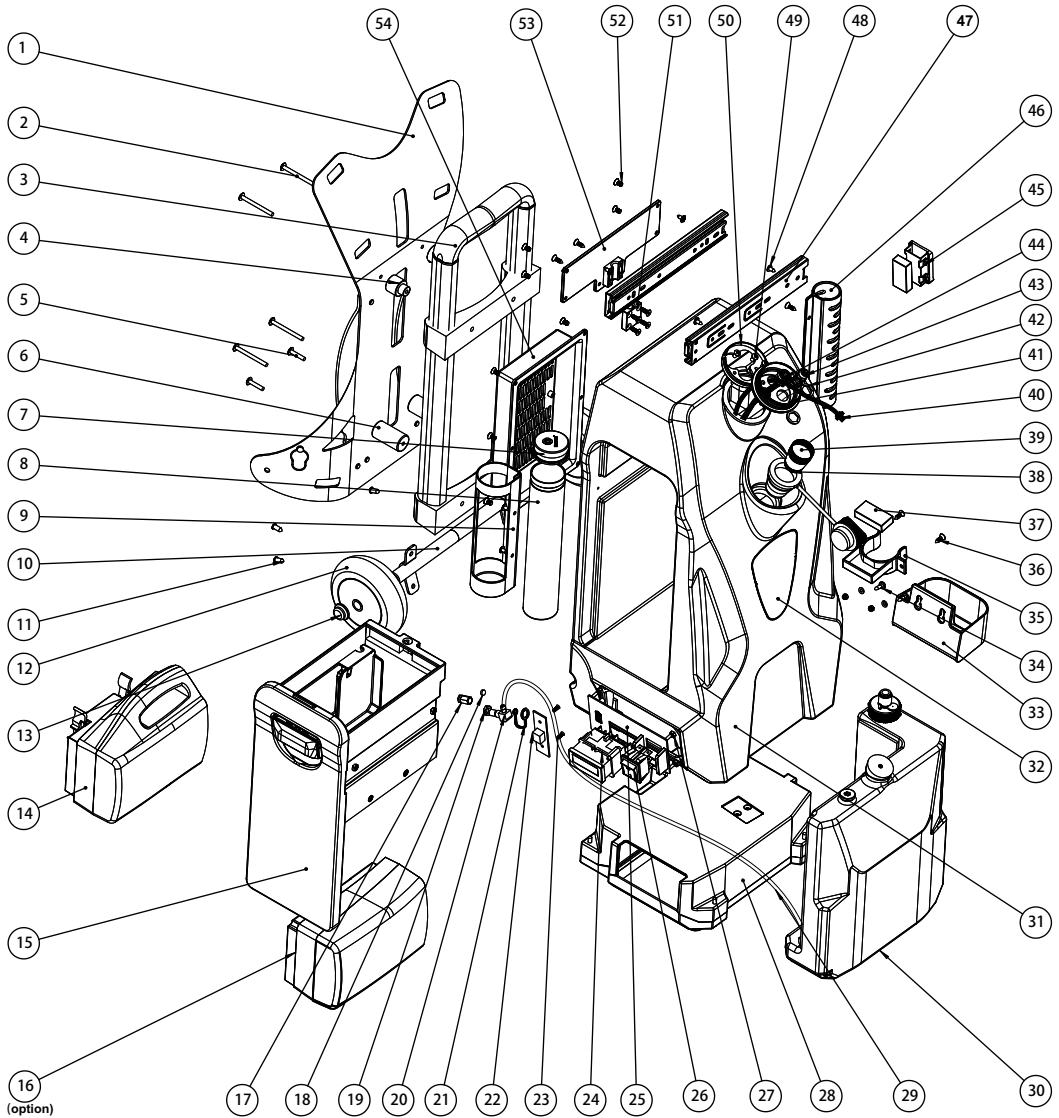




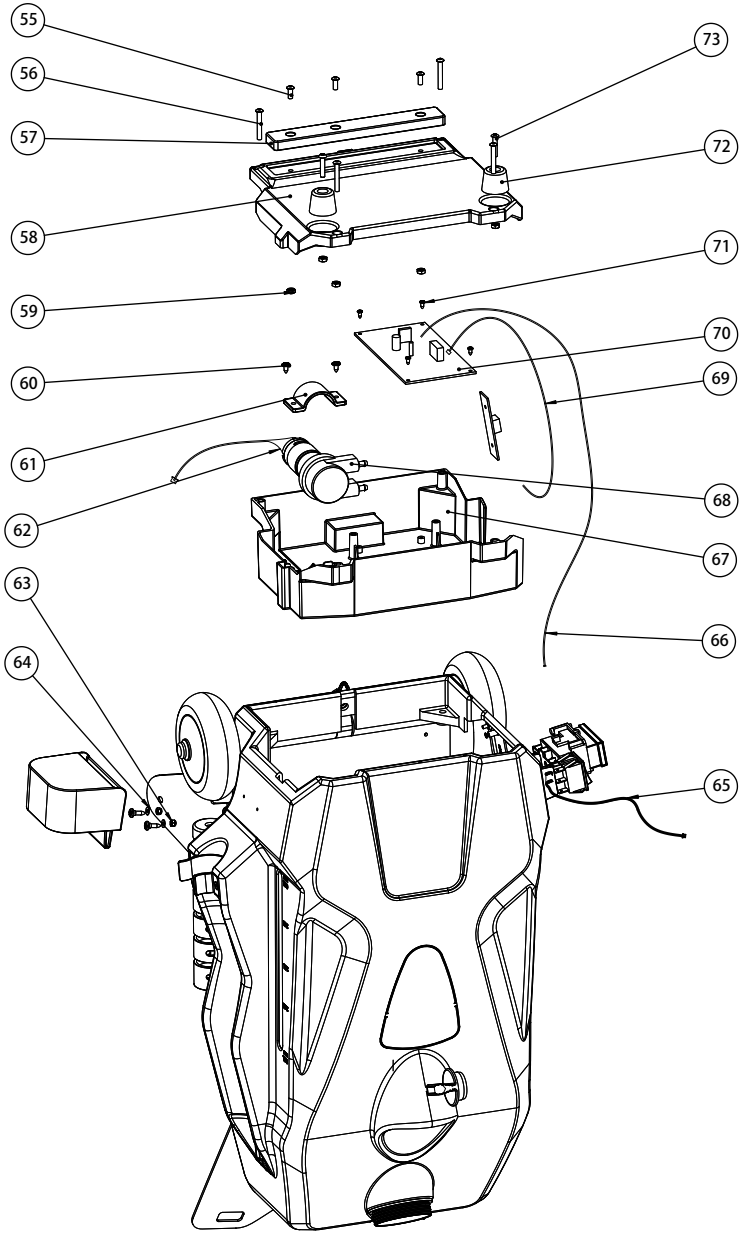
# LANCE

## spare parts list

Item	Part No.	Discription	Material	Q'ty
1	106.0002.8	Control Panle PCB Battery Version	PCB	1
2	97.2004.31_remark	Handle cover right, Gray 431C,	PA66+20%GF	1
3	97.2003.31_remark	Handle cover left, Gray 431C	PA66+20%GF	1
4	106.0002.2	Handle Wand	AL	1
5	106.1151.797	Soft Rubber For Lance Handle	Rubber	1
6	106.1111.5	M4*6 Hex-socket Botton Head Screw	SUS 304	1
7	106.1002.1	Lance AL Top Cap	AL	1
8	106.2000.3	Lance carbon fibre sleeve	Carbon Fibre	1
9	02.0005.1	Sealed rivet Alu 4*8mm	AL	2
10	106.2149.0	Steell part for lance top magnet	SUS 201	1
11	106.1111.23	M4*16 PAN HEAD SELF-TAPPING SCREW	SUS 304	4
12	106.2173.0	Top fitting housing for heater	ABS, UL94-V0	1
13	106.2171.2	Silicon tube for heater outlet connector	Silicon rubber	1
14	106.0005.9A	Lance bottom location ring SUS420 with plating	SUS 420	1
15	106.0005.8	Brush holder	AL	1
16	106.1111.19	M3*12 Flat head machining screw	SUS 304	2
17	106.2171.0	Rubber for brush holder	Rubber	1
18	106.3013.797	Brush with nylon bristle, 1.0mm hole, blue	PA66+20%GF	1
(18)	106.3014.797	Brush with steel bristle, 1.0mm hole, blue	PA66+20%GF	1
19	69.0022.1	Screw M3*10	SUS 304	1
20	72.0206.1	Screw Counter sunk bolt M4*8_SS	SUS 304	3
21	106.0205.0	Steel tube for outlet connector	SUS 304	1
22	106.1111.9	M4*8 Flat head machining screw	SUS 304	3
23	106.0005.5	SUP END CAP	AL	1
24	106.2172.0	Top fitting housing for heater	ABS, UL94-V0	1
25	106.2192.0	G1/8 Connector for heater	Cu-h68	1
26	106.2169.0	Fluent in-line heater, DC24V, 250W	SUS 304	1
27	106.2045.2	Retaining Valve	Cu	1
28	106.2193.0	G1/8 Quick connector for retaining valve	Cu	1
29	106.2170.0	PCB board for heater in lance	PCB	1
30	S.106.2046.3	7 poles circle male connector with wires	PVC, Cu	1
31	106.2189.2	Cable for lance heater power supply	PVC, Cu	1
32	106.2105.0	Hose end cap	ABS	1
33	106.2168.797	Support Cap for hose connector	PA66+15%GF	1
34	106.0021.357	Hose connector cap	POM, UL94-V0	1
35	106.0023.0	Protection hose outside Ø25mmx1.5M	PU, steel	1
36	106.0118.0	Transparent pipe for fluid output 6*4mm	PU	2.5M
37	106.1144.0	Rubber stoper for handle	Rubber	1
38	00.0002.62	Screw st3*14 cross	SUS 304	3
39	106.2105.1	Hose end cap for handle	ABS, UL94-V0	1
40	106.1111.31	M3*10 RIVET	AL	4
41	106.1111.30	M3 WASHER	STEEL	4
42	106.0002.9	EVA foam for control PCB board	EVA Foam	1
43	106.1111.4	M3*6 Pan head self-tapping screw	SUS 304	6
44	106.0002.6	Control panel	ABS, UL94-V0	1
45	106.2002.5	Control panle sticker	PC	1



**BODY UNIT EXPLODED DRAWING-PART1**



**BODY UNIT EXPLODED DRAWING-PART2**

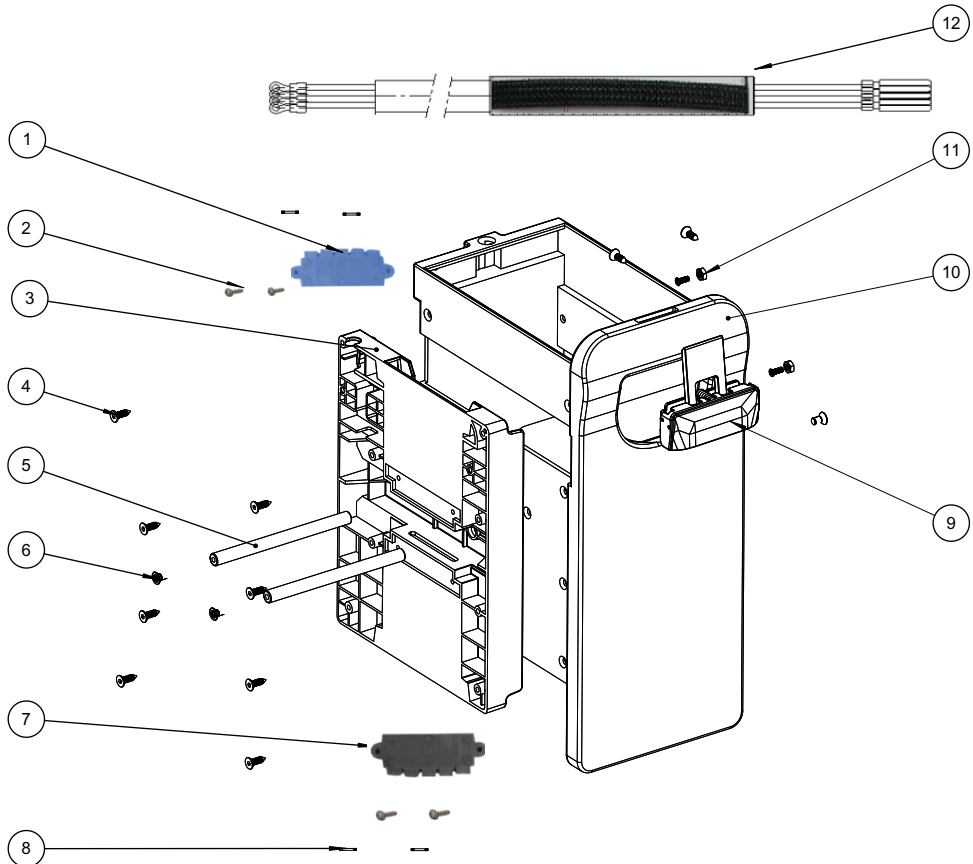
# Body spare parts list

ITEM	PART NO.	DISCRIPTION	MATERIAL	Q'TY
1	S.106.2059.0	Shoulder harness & Waistband Assembly Unit	AL,Clothes	1
2	106.1111.11	M4X45 BIG PAN HEAD MACHINING SCREW	SUS 304	4
3	106.2058.0	Trolley Handel	AL,ABS,PP	1
4	106.2109.0	Screw support bush	POM	2
5	106.1111.13	M4X20 PAN HEAD MACHINING SCREW	SUS 304	2
6	106.2061.0	Support bush for harness	POM	2
7	106.2155.0	Rubber Cap For Brush Storage	Rubber	1
8	106.2150.0	Brush Storage Tube	AL	1
9	106.2156.0	Brush holder bracket	ABS	1
10	106.2008.0	Wheel Shaft	AL	1
11	106.1111.14	M5X10 BIG PAN HEAD SELF-TAPPING SCREW	SUS 304	4
12	45.0014.0	Wheel 100*32 MM	Nylon, PVC	2
13	45.0021.0	Shaft end cap D=10mm	SUS 304	2
14	S.72.0074.357BSRA	Assy Battery pack grey(left) BMS 14Ah(FR)(W/O FUSE)	Li-ion Battery	1
15	S.106.2003.1	Drawer for batteries storage Assembly unit	PE, PC/ABS...	1
(16)	S.72.0079.357BSRA	Assy Battery pack grey(right) BMS 14Ah(FR)(W/O FUSE)	Li-ion Battery	(1)
17	106.3312.0	Screw Cap for water drain	Cu	1
18	106.3314.0A	Seal silicon rubber for screw cap	Silicon Rubber	1
19	106.2175.0	FLUID OUTFALL CONNECTOR	Cu	1
20	106.2174.0A	Fluid outfall connector	Cu	1
21	106.3313.0	Connector chain of screw cap	Belt	1
22	106.2100.1	LED Light PCB For Battery Power	PCB board	1
23	106.1111.22	M3x8 Flat head machining screw	SUS 304	1
24	106.2071.0	Timer	/	1
25	106.3307.0	Body control panel battery version	SUS 304	1
26	106.2194.0	MAIN SWITCH 4 P/16A 250V	/	1
27	106.1111.21	M3 flat nut	SUS 304	1
28	S.106.2006.0	Bottom Housing parts assm (see exploded drawing)	ABS, UL94-V0	1
29	72.0022.5	Water channel dia.6mm L180mm for water tank drian	PU, Blue	1
30	S.106.2025.0	ASSY WATER TANK(see exploded drawing)	PP	1
31	106.2001.1	I-GUM Body battery version	HDPE	1
32	106.0139.1	logo sticker with printing "I-GUM"	PC	1
33	106.2165.0	Water drop disk	PC	1
34	106.2183.0	Hank screw for water drop disk	SUS 304	1
35	106.2054.8	Magnet box for lance holder yellow	POM, Yellow	1
36	106.1111.1	M4*12 Flat hex-socket botton screw	SUS 304	10
37	72.0051.0	Magnet 40*20*10mm	Magnetic	2
38	106.2050.0A	Fluid Input Connector With Cap	Silicon Rubber	1
39	106.3201.0	Stainless steel bush for yellow cap inside support	SUS 304	1
40	106.2189.2	CABLE TO PCB OF BODY FOR HEATER POWER SUPPLY	PVC, Cu	1
41	106.2097.0	Insert Cap For Body	PA66+15%GF	1
42	S.106.2080.0	Direct Twist connector 6x4 Pipe plating Ni	Cu	1
43	72.0003.0	Metal Washer M10	SUS 304	2
44	S.106.2046.4	7 Poles circle femal connector	PVC, Cu	1
45	106.2161.0	Magnet Box For Lance top	ABS	1

# Body spare parts list

... Connect with last page ...

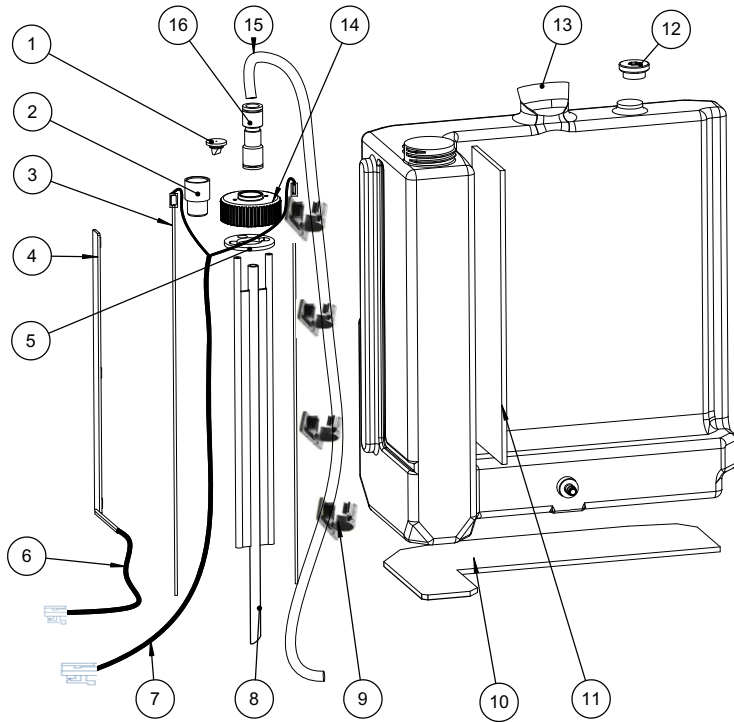
ITEM	PART NO.	DISCRIPTION	MATERIAL	Q'TY
46	106.2108	Broom Holder	ABS	1
47	106.2095	Slider Guider	Steel	2
48	106.1111	M4*8 PWA head self-stapping screw	SUS 304	8
49	106.1111.	M*8 Hex-socket botton head screw	SUS 304	3
50	106.3311	Metal ring for body insert cap fitting	AL	1
51	106.2102	Fitting Cover shorter	ABS, UL94-V0	1
52	72.0206	Screw counter sunk bolt M4*8 Stainless steel	SUS 304	10
53	106.2034	Back cover of body	ABS, UL94-V0	1
54	106.2269	Back housing fro body	ABS, UL94-V0	1
55	106.1111.16	M4*10 Hex-socket botton screw	SUS 304	3
56	106.1111.15	M4*28 Hex-socket botton screw	SUS 304	4
57	106.2153.0	Bottom rubber foot plate	Rubber	1
58	106.2157.0	Bottom cover	ABS, UL94-V0	1
59	72.0261.0	Nut M4 nylon stainless steel	SUS 304	5
60	106.1111.23	M4*16 PAN HEAD SELF-TAPPING SCREW	SUS 304	2
61	106.2106.0A	Fitting bracket for pump	ABS, UL94-V0	1
62	20.0031.5	Nut M3 Nylon	SUS 304	2
63	103.0143.0	M3 Washer	SUS 304	2
64	106.2079.6	Wire for battery version pump	--	1
65	16.2079.9	Wire for main switch	--	1
66	106.2079.3	Wire for timer	--	1
67	106.2006.0	Bottom Housing	ABS, UL94-V0	1
68	106.0130.3	Fluid Pump 10~50ml/min/DC 24V KAMOER	--	1
69	106.2279.0	Connector wire for power indicator PCB board	--	1
70	106.2070.1	Main PCB board Battery Version	PCB BOARD	1
71	106.1111.4	M3*6 Pan head self-tapping screw	SUS 304	4
72	87.0032.0	Rubber foot	Rubber	2
73	106.1111.12	M4*20 Hex-socket botton screw	SUS 304	2



### Battery drawer spare parts list

ITEM	PART NO.	DISCRIPTION	MATERIAL	Q'TY
1	72.0068.797	Battery Connector male, Blue	POM	1
2	72.0057.0	Screw wn 5451 2.5*10 Ejot del TA PT	SUS 304	4
3	106.2167.0	Battery Fitting Housing	PC/ABS, UL94-V0	1
4	106.1111.1	M*12 Flat hex-socket botton scew	SUS 304	1
5	106.2184.0	Al support rod for battery drawer	AL	1
6	72.0206.1	Screw counter suk bolt M4*8 SS	SUS 304	8
7	72.0068.357	Battery connector male, Gray	POM	1
8	85.0050.1	Alignment pin longer version	SUS 304	4
9	S.106.1167.0	Metal handle of drawer	Zn	1
10	106.2003.1	Drawer for batteries storage	PE	1
11	80.0000.91	M4Flat Nut	SUS 304	2
12	106.2189.0	Cable wire for battery power supply	PVC, Cu, Nylon	1





ITEM	PART NO	DISCRIPTION	MATERIAL	Q'TY
1	97.0043.0	Breathing valve	Rubber	1
2	106.2145.0	Rubber for fluid outlet cap	Rubber	1
3	106.2166.0	Fluid level sensor pin	Cu	2
4	106.2185.0	LED light PCB for fluid tank	LED, PCB board	1
5	106.3203.0	Silicon rubber seal	Silicon rubber	1
6	106.2079.8	Wire for tank LED light	PVC, Cu	1
7	106.2079.5	Wire for water detecting connector	PVC, Cu	1
8	106.2104.0	Hard tube for fluid pump outlet	PC, Silicon Rubber	1
9	106.2187.1	Wires fixator	Nylon	4
10	106.3304.0	EVA foam for water tank bottom	EVA foam	1
11	106.3303.0	EVA foam for water tank side	EVA foam	1
12	106.2186.0	G1/4 screw cap block for water tank	Cu, Rubber	1
13	106.2025.0A	Water tank	HDPE, transparent	1
14	106.0103.0	Fluid outlet cap for pump	ABS	1
15	72.0022.6	Water channel dia.6mm L550M	PU, Blue,transparent	1
16	106.3305.0	Direct quick connector for 6mm pipes	--	1

## FLUID TANK UNIT EXPLODED DRAWING

# SAFETY DATA SHEET

according to 1907/2006/EC, Article 31

Page 1/3

## GUM REMOVER SOLUTION

Revision 2  
Revision date 2014-07-24

### SECTION 1: Identification of the substance/mixture and of the company/undertaking

#### 1.1. Product Identifier

**Product name** GUM REMOVER SOLUTION

#### 1.3. Details of the supplier of the safety data sheet

**Company** Merlin Chemicals Ltd  
**Address** Unit 5, Passfield Mill Business Park, Liphook, Hants. GU30 7RR. United Kingdom  
**Web** www.merlinchemicals.co.uk  
**Telephone** +44 (0)1428 751122  
**Fax** +44 (0)1428 751133  
**Email** technical@merlinchemicals.co.uk

### SECTION 2: Hazards identification

#### 2.1. Classification of the substance or mixture

**Main hazards** No Significant Hazard

#### 2.2. Label elements

**Risk phrases** No Significant Hazard.  
**Safety phrases** S1/2 - Keep locked up and out of the reach of children.  
S13 - Keep away from food, drink and animal feedingstuffs.  
S46 - If swallowed, seek medical advice immediately and show this container or label.

### SECTION 3: Composition/information on ingredients

#### 3.2. Mixtures

67/548/EEC / 1999/45/EC

Chemical Name	Index No.	CAS No.	EC No.	REACH Registration Number	Conc. (%w/w)	Classification
undecyl glucoside			308-766-0		1 - 10% Xi; R36	

### SECTION 4: First aid measures

#### 4.1. Description of first aid measures

**Inhalation** No known adverse health effects.  
**Eye contact** Irritating to eyes. Rinse immediately with plenty of water for 15 minutes holding the eyelids open. Seek medical attention if irritation or symptoms persist.  
**Skin contact** Wash off immediately with plenty of soap and water. Remove contaminated clothing. Seek medical attention if irritation or symptoms persist.  
**Ingestion** Rinse mouth thoroughly. Seek medical attention if irritation or symptoms persist. DO NOT INDUCE VOMITING.

### SECTION 5: Firefighting measures

#### 5.1. Extinguishing media

Carbon dioxide (CO<sub>2</sub>).

# GUM REMOVER SOLUTION

Revision 2  
Revision date 2014-07-24

## 5.2. Special hazards arising from the substance or mixture

Wear suitable respiratory equipment when necessary.

## 5.3. Advice for firefighters

Wear: Self-contained breathing apparatus.

## SECTION 6: Accidental release measures

### 6.1. Personal precautions, protective equipment and emergency procedures

Ensure adequate ventilation of the working area. Wear suitable protective equipment.

### 6.2. Environmental precautions

Do not allow product to enter drains.

### 6.3. Methods and material for containment and cleaning up

Absorb with inert, absorbent material. Sweep up. Transfer to suitable, labelled containers for disposal.

## SECTION 7: Handling and storage

### 7.1. Precautions for safe handling

Ensure adequate ventilation of the working area.

### 7.2. Conditions for safe storage, including any incompatibilities

Keep in a cool, dry, well ventilated area. Keep containers tightly closed.

## SECTION 8: Exposure controls/personal protection

### 8.2. Exposure controls

#### 8.2.1. Appropriate engineering controls

Ensure adequate ventilation of the working area.

#### Eye / face protection

Not required.

#### Skin protection - Handprotection

Not required.

#### Respiratory protection

Not normally required.

## SECTION 9: Physical and chemical properties

### 9.1. Information on basic physical and chemical properties

State	Liquid
Colour	Colourless
Odour	Characteristic
pH	7 - 9
Relative density	1 - 1.02
Solubility	Soluble in water

## SECTION 10: Stability and reactivity

### 10.2. Chemical stability

Stable under normal conditions.

### 10.3. Possibility of hazardous reactions

Acids. Oxidising agents.

## SECTION 11: Toxicological information

### 11.1. Information on toxicological effects

No data is available on this product.

## SECTION 12: Ecological information

### 12.1. Toxicity

## GUM REMOVER SOLUTION

Revision 2  
Revision date 2014-07-24**12.1. Toxicity**

No data is available on this product.

**SECTION 13: Disposal considerations****General information**

Dispose of in compliance with all local and national regulations.

**SECTION 14: Transport information****ADR/RID**

The product is not classified as dangerous for carriage.

Not classified as hazardous for transport.

**IMDG**

The product is not classified as dangerous for carriage.

**IATA**

The product is not classified as dangerous for carriage.

**SECTION 15: Regulatory information****15.1. Safety, health and environmental regulations/legislation specific for the substance or mixture**

REGULATION (EC) No 1907/2006 OF THE EUROPEAN PARLIAMENT AND OF THE COUNCIL of 18 December 2006 concerning the Registration, Evaluation, Authorisation and Restriction of Chemicals (REACH), establishing a European Chemicals Agency, amending Directive 1999/45/EC and repealing Council Regulation (EEC) No 793/93 and Commission Regulation (EC) No 1488/94 as well as Council Directive 76/769/EEC and Commission Directives 91/155/EEC, 93/67/EEC, 93/105/EC and 2000/21/EC.

**SECTION 16: Other information****Other information****Text of risk phrases in Section 3**

R36 - Irritating to eyes.