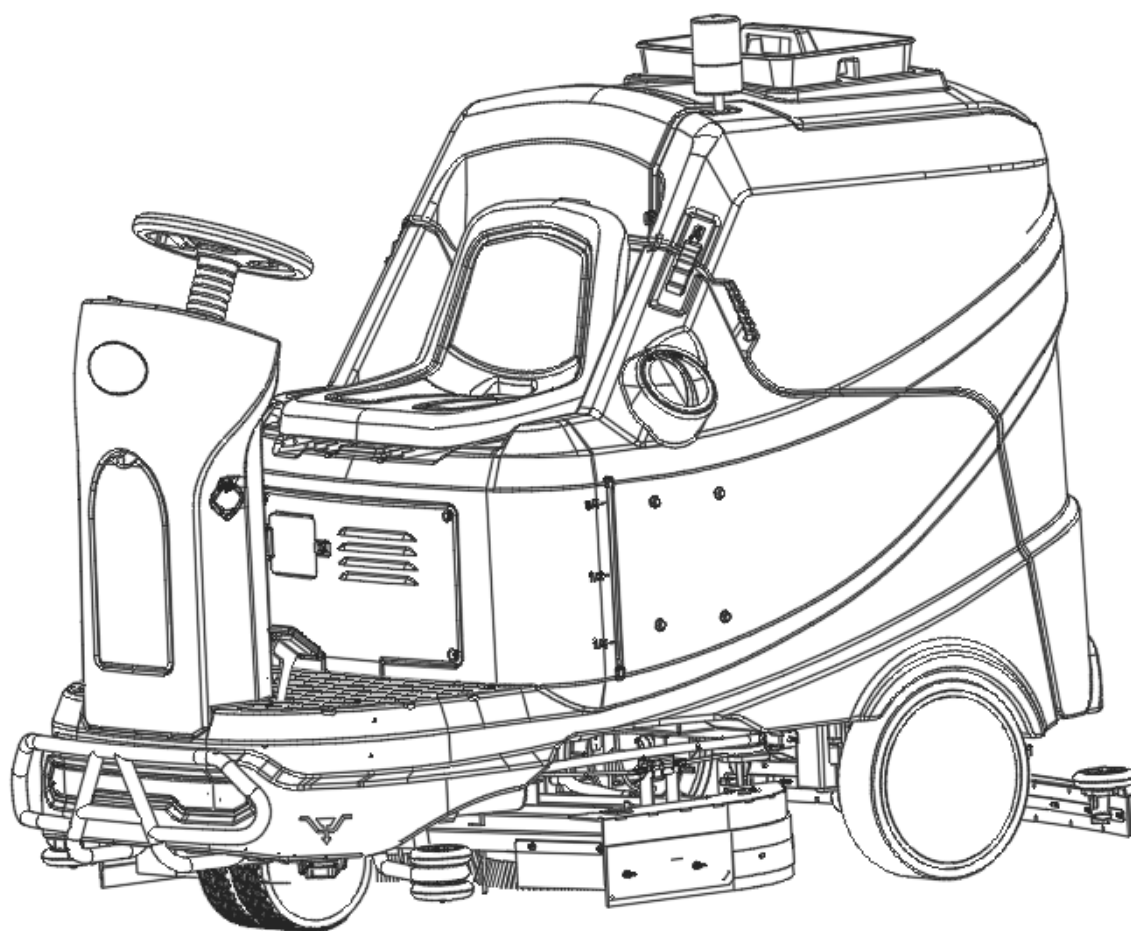


AS1050R

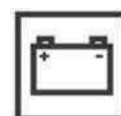
INSTRUCTION FOR USE



Model No.: 50000593

VR41010 Rev. 01 Oct 2020

Original instructions





FCC Supplier's Declaration of Conformity

47 CFR § 2.1077 Compliance Information

Unique Identifier: FC - Floor Scrubber/Sweeper - Battery Type: AS1050R, AS1050R+

Responsible Party – U.S. Contact Information:

Nilfisk, Inc
9435 Winnetka Ave N
Brooklyn Park
Minnesota
MN-55442
USA

www.nilfisk.com

FCC Compliance Statement

This device complies with part 15 of the FCC rules. Operation is subject to the following two conditions: (1) This device may not cause harmful interference, and (2) this device must accept any interference received, including interference that may cause undesired operation. Users are not permitted to make changes or modify the device in any way. Changes or modifications not expressly approved by Nilfisk, Inc. will void the user's authority to operate the equipment.

Brooklyn Park
Sep 8, 2020

A handwritten signature in black ink that reads "Jamie O'Neill". The signature is written in a cursive, flowing style.

Jamie O'Neill
Senior Vice President, USFC Sales, EMEA Americas Sales



IC Supplier's Declaration of Conformity

ICES-Gen

Unique Identifier: FC - Floor Scrubber/Sweeper - Battery Type: AS1050R, AS1050R+

Responsible Party – Contact Information:

Nilfisk Canada Company
240 Superior Boulevard
Mississauga
Ontario
L5T 2L2
Canada

www.nilfisk.com

IC Compliance Statement

This device complies with Industry Canada ICES-003. Operation is subject to the following two conditions:

(1) This device may not cause harmful interference, and (2) this device must accept any interference received, including interference that may cause undesired operation.

Mississauga
Sep 8, 2020

A handwritten signature in black ink, appearing to read "Surtel", is written over a light grey rectangular background.

Steven Surtel
General Manager

TABLE OF CONTENTS

ENGLISH	INSTRUCTION FOR USE.....	1-24
FRANÇAIS	INSTRUCTIONS D'UTILISATION.....	25-48
ESPAÑOL	INSTRUCCIONES DE USO.....	49-72
PARTS LIST	73-105

TABLE OF CONTENTS

INTRODUCTION	2
GUIDE PURPOSE AND CONTENTS	2
HOW TO KEEP THIS INSTRUCTION FOR USE.....	2
ACCESSORIES AND MAINTENANCE.....	2
CHANGE AND IMPROVEMENT.....	2
SCOPE OF APPLICATION.....	2
MACHINE IDENTIFICATION DATA.....	2
TRANSPORT AND UNPACKING.....	3
SAFETY	3
VISIBLE SYMBOLS ON THE MACHINE	3
SYMBOLS THAT APPEAR ON THE INSTRUCTION FOR USE	3
GENERAL SAFETY INSTRUCTION.....	4
MACHINE DESCRIPTION	6
MACHINE STRUCTURE *--optional.....	6
CONTROL PANEL (as shown)	7
TECHNICAL PARAMETERS	10
WIRING DIAGRAM	11
OPERATING GUIDE	12
BATTERY CHECK/SETTING ON A NEW MACHINE	12
BATTERY INSTALLATION AND BATTERY TYPE SETTING (WET OR GEL/ AGM/DIS/ENE).....	12
BRUSH/PAD-HOLDER INSTALLATION AND REMOVAL	13
ADJUSTING THE BALANCE OF SIDE SPLASHGUARDS.....	14
ADJUSTING THE BALANCE OF SQUEEGEE	14
FILLING SOLUTION TANK.....	15
DRIVE MOTOR AND MECHANICAL BRAKE INSPECTION	15
MACHINE START AND STOP.....	15
MACHINE OPERATION (SCRUBBING AND DRYING)	16
TANK EMPTYING	17
AFTER USING THE MACHINE.....	17
MACHINE STORAGE DURING LONG INACTIVITY.....	17
FIRST PERIOD OF USE	17
MAINTENANCE	18
SCHEDULED MAINTENANCE TABLE	18
BATTERY CHARGING.....	19
BRUSH/PAD CLEANING	20
SOLUTION FILTER CLEANING	20
SQUEEGEE CLEANING	20
SQUEEGEE BLADE CHECK AND REPLACEMENT	20
TANK AND DEBRIS COLLECTION BOX CLEANING, AND COVER GASKET CHECK	21
ACCESSORIES/OPTIONS.....	21
TROUBLESHOOTING	22
ERROR CODE OF DISPLAY	23
SCRAPPING	24

INTRODUCTION



NOTE
The numbers in brackets refer to the components shown in Machine Description chapter.

GUIDE PURPOSE AND CONTENTS

The purpose of this instruction for use is to provide the operator with all basic information and technical characteristics, operation, machine inactivity, spare parts and safety conditions etc.
Before performing any procedure on the machine, the operators and qualified technicians must read the Instruction for Use manual. Contact our company in case of doubts concerning the interpretation of the instructions or for any further information.

HOW TO KEEP THIS INSTRUCTION FOR USE

The instruction for use must be kept near the machine, inside an adequate case, away from liquids and other substances that can cause any damage to it.

ACCESSORIES AND MAINTENANCE

All the necessary operation, maintenance and repair procedures must be made by qualified personnel, our company appointed repair center. ONLY original or approved spare parts and accessories can be used.
Contact our company customer service for any service or purchase of accessories or spare parts if necessary.

CHANGE AND IMPROVEMENT

We are committed to continuous improvement of our products, and the company reserves the right to machine changes and improvements without additional information.

SCOPE OF APPLICATION

The scrubber applies to commercial and industrial use. It is suitable for cleaning smooth and solid floor, operating by a qualified person in safe circumstances. It is not suitable for outdoor use or on carpet or rough floor cleaning.

MACHINE IDENTIFICATION DATA

The machine serial number and model name are marked on the serial label.
This information is useful. Use the following table to write down the machine identification data when requiring spare parts for the machine.

MACHINE MODEL.....
MACHINE SERIAL NUMBER.....

TRANSPORT AND UNPACKING

When the carrier delivers the machine, make sure the packaging and machine are both whole and undamaged. If any damage is observed, inform the carrier of the damage before accepting the goods, to reserve the right to compensation for the damage.

Follow the instructions on packaging strictly when unpacking the machine.

Check the package to ensure following items are included:

1. Technical documentation - Instruction for use.
2. Battery connection components.
3. Electronic battery charger manual (if installed) (*)

SAFETY

The following symbols indicate potentially dangerous situations. Always read this information carefully and take all necessary precautions to safeguard people and property.

VISIBLE SYMBOLS ON THE MACHINE



WARNING!

Read all the instructions carefully before performing any operation on the machine.



WARNING!

Do not wash the machine with direct or pressurized water jets.



WARNING!

Do not use the machine to work on slopes with a gradient exceeding that is defined in the specifications section.

SYMBOLS THAT APPEAR ON THE INSTRUCTION FOR USE



DANGER!

It indicates a dangerous situation with risk of death for the operator.



WARNING!

It indicates a potential risk of injury for people.



CAUTION!

It indicates a caution, or a remark related to important or useful functions.

Pay attention to the paragraphs marked by this symbol.



NOTE

It indicates a remark related to important or useful functions.



CONSULTATION

It indicates the necessity to refer to the Instruction for Use manual before performing any procedure.

GENERAL SAFETY INSTRUCTION

Specific warnings and cautions to inform about potential damages to people and machine are shown below.



DANGER!

- This machine must be operated by trained and authorized personnel according to guidance of the manual.
- Before performing any cleaning, maintenance, repair or replacement procedure, read all the instructions carefully, ensure to turn the machine OFF and disconnect the battery connector.
- Do not operate the machine near toxic, dangerous, flammable and/or explosive powders, liquids or vapor. This machine is not suitable for collecting dangerous powders.
- Do not wear jewelry when working near electrical components.
- Do not work under the lifted machine without supporting it with safety stands.
- When using lead (WET) batteries, they may emit inflammable gas under normal use, you must keep sparks, flames, smoking materials and radiating, illuminating and burning items away from the batteries.
- When charging lead (WET) batteries, they may emit hydrogen gas which may cause explosive. You must ensure the charging environment is well ventilated and away from flames.



WARNING!

- This machine is intended for **COMMERCIAL USE**, for example in hotels, schools, hospitals, factories, shops, offices and rental businesses.
- Machines left unattended shall be secured against unintentional movement.
- In order to prevent unauthorized use of the machine, the power source shall be switched off or locked, for example by removing the key of the main switch or the ignition key.
- Check the machine carefully before each use. Ensure that all the components have been well assembled before use. Loose components may cause damage to people and properties.
- Never move the machine by pulling the battery charger cable. Do not pass the cable through a closed door or wind the cable around sharp edges or corners. Do not run the machine over the battery charger cable. Keep the battery charger cable away from heated surfaces.
- Do not charge the batteries if the battery charger cable or the plug are damaged.
- To reduce the risk of fire, electric shock, or injury, make sure machine is off before leaving.
- Use or store the machine indoors in dry conditions, it is not allowed for outdoor use.
- The machine storage and working temperature must be between 0 °C and +40 °C, the humidity of air must be between 30% - 95%.
- Do not use the machine on slopes with a gradient exceeding the specifications shown.
- When using and handling floor cleaning detergents, follow the instructions on the labels of the detergent bottles and wear suitable gloves and other protective devices.
- Use brushes and pads supplied with the machine or defined in the manual. Using other brushes or pads could reduce safety.
- In case of machine malfunctions, ensure that these are not due to lack of maintenance. If necessary, request assistance from the authorized personnel or from an authorized Service Center.
- Take all necessary precautions to prevent hair, jewelry, and loose clothes from being caught by the machine moving parts.
- Do not use the machine in particularly dusty areas.
- Do not wash the machine with direct or pressured water jets, or with corrosive substances.
- Do not bump into shelves or scaffoldings, especially where there is a risk of falling objects.
- Do not lean liquid containers on the machine, use the relevant can holder.

- To avoid damaging the floor, do not allow the brush/pad to operate while the machine is stationary.
- In case of fire, use a dry powder fire extinguisher. Do not use liquid fire extinguishers.
- Do not remove or modify the machine labels.
- Do not tamper with the machine safety guards and follow the scheduled maintenance instructions closely.
- Pay attention during machine transportation when temperature is below freezing point. The water in the recovery tank and in the hoses could freeze and cause serious damage to the machine.
- If spare parts need be replaced, order ORIGINAL spare parts from an Authorized Dealers or Retailers.
- Return the machine to the Service Center if it doesn't work as usual or it is damaged.
- To ensure machine proper and safe operation, the scheduled maintenance shown in the relevant chapter of this Manual, must be performed by the authorized personnel or an authorized Dealers or Retailers.
- The machine must be properly disposed of, due to the presence of toxic-harmful materials (batteries, etc.), which are subject to standards that require disposal in special centers (see Scrapping chapter).
- This machine is a cleaning tool only and is not intended for any other purpose.
- Always keep the openings free from dust, hairs and any other foreign material which could reduce the air flow. Do not use the machine if the openings are clogged.
- Use the machine only where proper lighting is provided.
- This machine is not intended for use by persons (including children) with reduced physical, sensory or mental capabilities, or lack of experience and knowledge.
- Close attention is necessary when used near children.
- Children should be supervised to ensure that they do not play with the machine.
- While using this machine, take care not to cause damage to people or objects.
- Cleaning and user maintenance shall not be made by children without supervision.
- Operators shall be adequately instructed on the use of these machines.

MACHINE DESCRIPTION

MACHINE STRUCTURE *--optional

1. Steering wheel
2. Seat, adjustable (with safety switch)
3. Warning light
4. Utility caddy (*)
5. Recovery tank lid
6. Hook
7. Latch(x2)
8. Recovery tank
9. Filter cover
10. Filter hose holder
11. Filter support
12. Solution tank
13. Water level tube
14. Drive wheels (with mechanical brake)
15. Side splashguards
16. Brush assembly
17. Pump
18. Bumper wheels
19. Solution tank drain cover
20. Front wheels
21. Front lights
22. Solution filter
23. Front bumper
24. Solution shut-off valve
25. Mechanical brake pedal
26. Internal storage cover
27. USB charging port
28. Control panel
29. Emergency switch
30. Cup holder
31. Recovery tank support cable
32. Accelerator pedal
33. Brush/Pad driver installation stop
34. Squeegee knobs
35. Squeegee angle adjusting knob
36. Squeegee vacuum hose
37. Squeegee
38. Recovery water drain hose
39. Squeegee hook
40. Debris collection box
41. Vacuum intake filter
42. Tank cover gasket
43. Batteries (N/A)
44. Battery tray (*)
45. Vacuum system
46. Dual vacuum system (*)

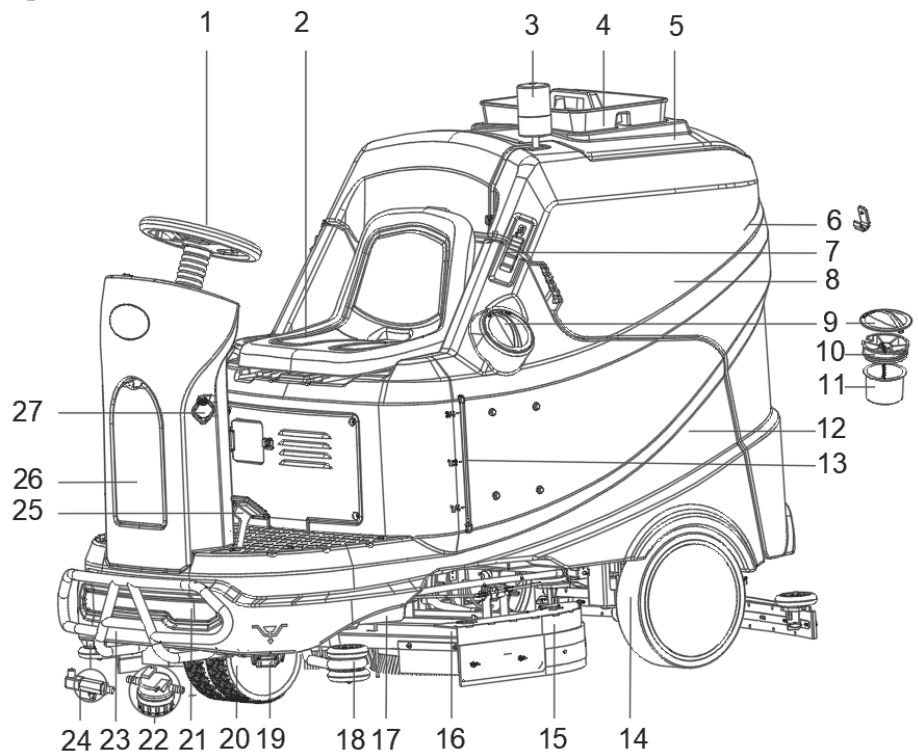


Figure 1

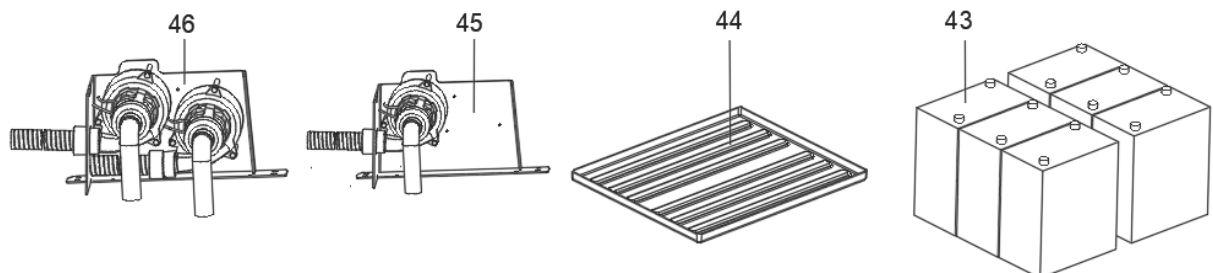
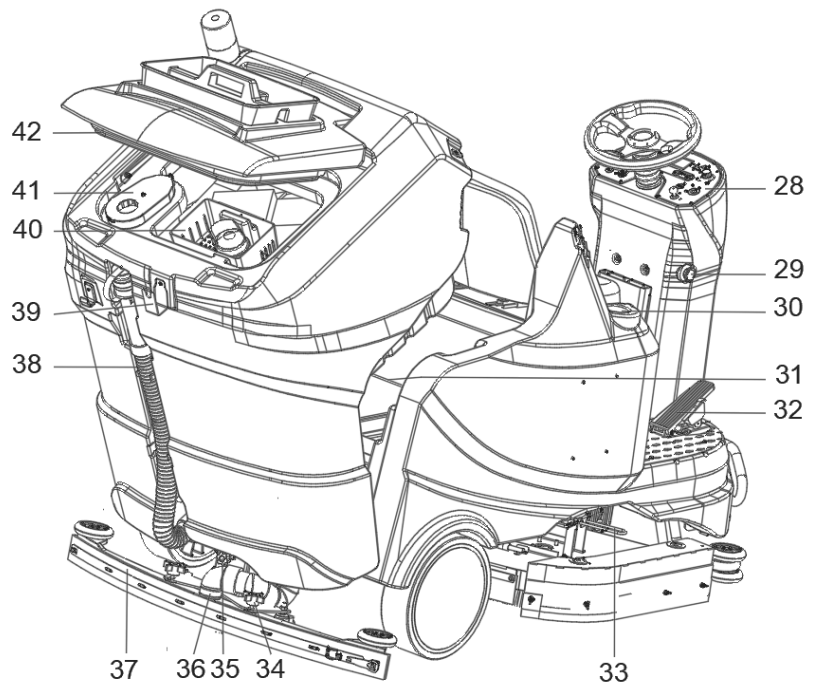


Figure 2

CONTROL PANEL (as shown)

- 47. Multifunction display
Items displayed:
A) Battery type
B) Battery charge level
C) Hours worked
D) ECO mode
E) Vacuum normal mode
F) Vacuum silence mode
G) Reverse mode
H) Extra pressure active
I) Detergent solution flow quantity
J) Brush work mode
K) Vacuum mode
L) Seat safety switch off
- 48. Recovery tank full/ solution Tank empty indicator
- 49. Speed adjust knob
- 50. Solution flow adjusting buttons
- 51. One-button start
·LED on above button-function activated
·water system (level 2)
·pressure at minimum (level 1)
·vacuum system normal
- 52. Forward-reverse button
- 53. Ignition key (0=ON I=OFF)
- 54. Vacuum system adjustment button
(press the button 1 second to activate)
·LED Steady on -normal mode
·LED Flashing -Silent mode
- 55. ECO mode button
·LED on above button-function activated
·water flow at minimum (level 1)
·pressure at minimum (level 1)
·Vacuum in silent mode
- 56. Brush/pad-holder click on/off
·LED Flashing-Click on activated
- 57. Brush pressure adjusting buttons
- 58. Horn button
- 59. Front light button
- 60. Charger plug cover
- 61. Brush motors overload protectors (30A)
- 62. Brush lift overload protector (3A)
- 63. Charger plug
- 64. Main control circuit overload protector (5A)
- 65. Vacuum motor(s) overload protector (30A)
- 66. Squeegee lift overload protector (3A)

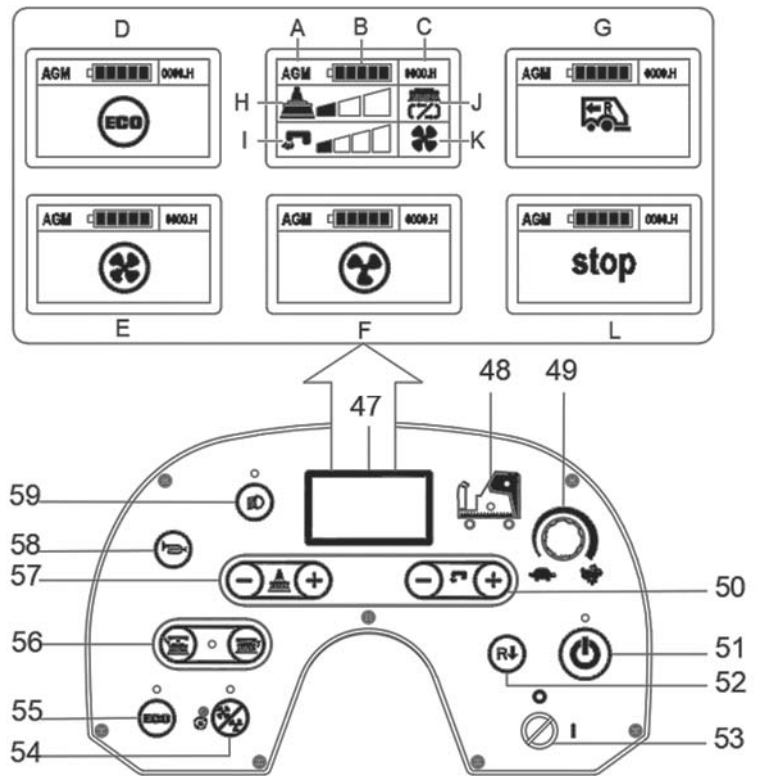


Figure 3

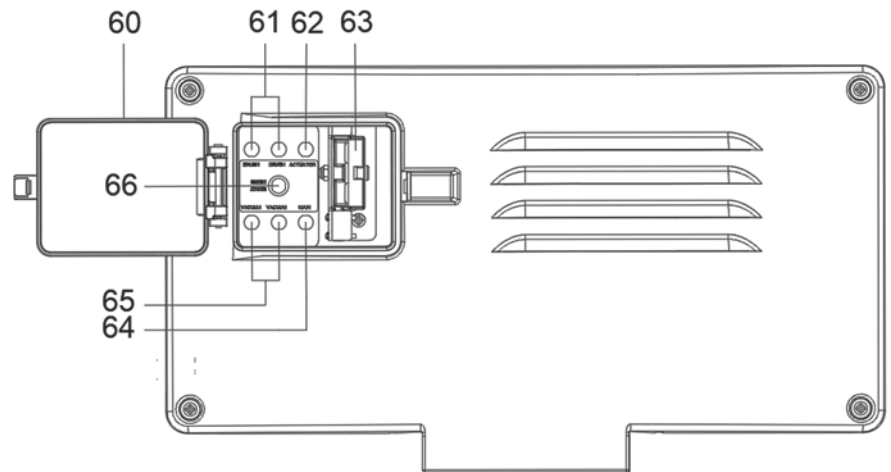
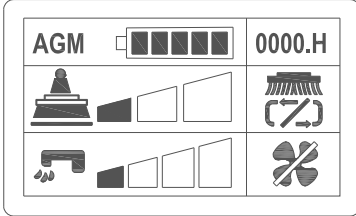
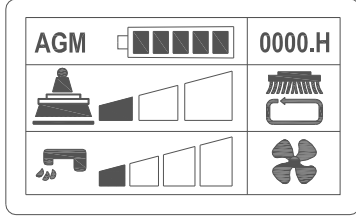
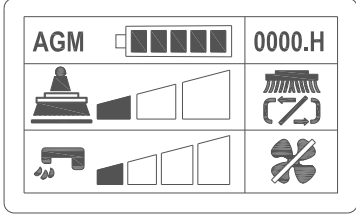
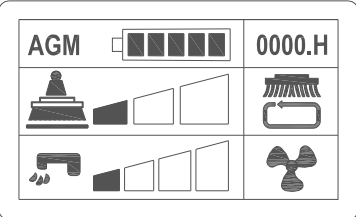

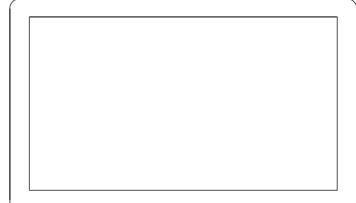
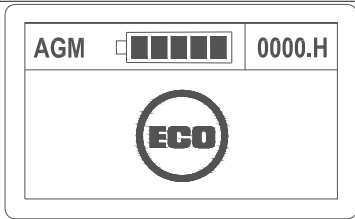
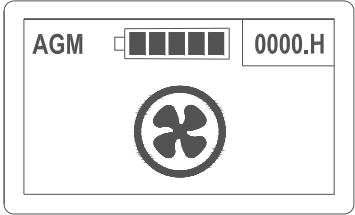
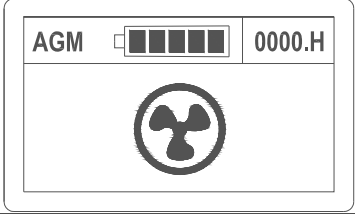
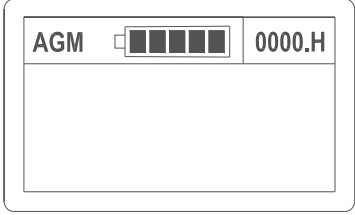
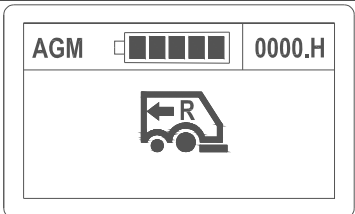
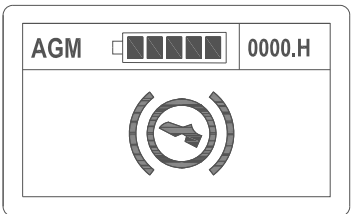


Figure 4

WORKING MODE DESCRIPTION

HOW TO OPERATE	DISPLAY	DESCRIPTION
Normal mode		
<ul style="list-style-type: none"> - Key (53) on - One button start (51) on - Seat safety switch (2) on 		<ol style="list-style-type: none"> 1. Hour meter point does not flash. 2. The brush arrow does not rotate. 3. The fan does not flash. 4. The tap water does not flash. 5. The actuator puts down to the first level brush pressure.
<ul style="list-style-type: none"> - Key (53) on - One button start (51) on - Seat safety switch (2) on - Accelerator pedal (32) pressed 		<ol style="list-style-type: none"> 1. Hour meter point flashes. 2. The brush arrow rotates. 3. The fan flashes. (Four blades) 4. The tap water flashes.
Silent mode		
<ul style="list-style-type: none"> - Key (53) on - One button start (51) on - Seat safety switch (2) on 		<ol style="list-style-type: none"> 1. Hour meter point does not flash. 2. The brush arrow does not rotate. 3. The fan does not flash. 4. The tap water does not flash.
<ul style="list-style-type: none"> - Key (53) on - One button start (51) on - Press vacuum system adjustment button (54) on for 1 second - Seat safety switch (2) on - Accelerator pedal (32) pressed 		<ol style="list-style-type: none"> 1. Hour meter point flashes. 2. The brush arrow rotates. 3. The fan flashes. (Three blades) 4. The tap water flashes.
Off mode		
<ul style="list-style-type: none"> - Seat safety switch (2) off - One button start (51) off - Key (53) on 		<ol style="list-style-type: none"> 1. Hour meter point does not flash. 2. All panel button closure. (The vacuum motor delays 12 seconds to stop.) 3. The brush head puts up to the highest position. 4. "STOP" sign will alternate with the screen.
<ul style="list-style-type: none"> - Key (53) off - Or emergency button (29) on, there will no display 		<ol style="list-style-type: none"> 1. The power cut off. 2. The display is off. <p>Note: After turning off the one button start (51), wait until the brush head raises to the full up position, before turning off the key (53).</p>

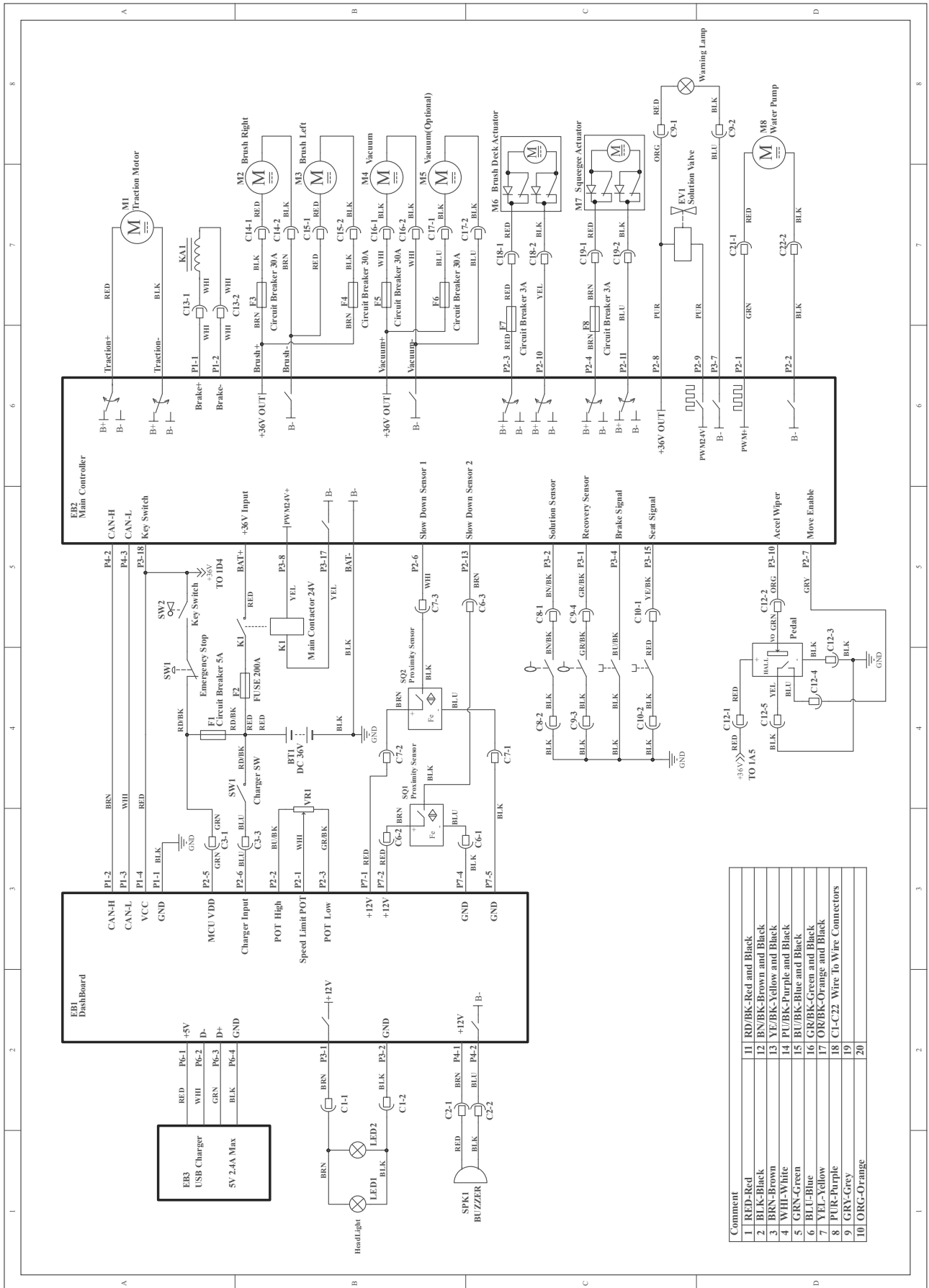
HOW TO OPERATE	DISPLAY	DESCRIPTION
ECO mode		
<ul style="list-style-type: none"> - Key (53) on - One button start (51) on - ECO button (55) on 		<ol style="list-style-type: none"> 1. Water flow at minimum (level 1). 2. Pressure at minimum (level 1). 3. The vacuum in silent mode. <p>Note: Turn on one button start (51), before turning on ECO button (55).</p>
Vacuum system mode (press the button 1 second to activate)		
Normal mode		
<ul style="list-style-type: none"> - Seat safety switch (2) on - Key (53) on - One button start (51) off - Press vacuum system adjustment button (54) 		The fan flashes (four blades)
Silent mode		
<ul style="list-style-type: none"> - Seat safety switch (2) on - Key (53) on - One button start (51) off - Press vacuum system adjustment button (54) for 1 second 		The fan flashes (three blades)
<ul style="list-style-type: none"> - Seat safety switch (2) on - Vacuum system adjustment button (50) Off 		NO fan Note: When the vacuum system adjustment button is off, the vacuum motor immediately stops.
Reverse mode		
<ul style="list-style-type: none"> - Seat safety switch (2) on - Forward-reverse button (52) on 		<ol style="list-style-type: none"> 1. Hour meter point flashes. 2. Squeegee will up if it is in work mode.
Mechanical brake mode		
<ul style="list-style-type: none"> - Seat safety switch (2) on - Depress mechanical brake pedal (25) 		Machine stop. Others function keep.

TECHNICAL PARAMETERS

Parameter Type	AS1050R
Voltage	36 V
Rated power (input)	125A/4500W
IP protection class	IP24
Solution tank capacity	200L / 53 Gal.
Recovery tank capacity	200L / 53 Gal.
Scrubbing width	980mm / 35.58 Inches
Brush/Pad diameter	508 mm x 2 /20 Inches x 2
Brush/Pad pressure (max)	90 Kg /198 Lbs.
Brush motor power (input)	2 X 1000 Watt / 2 X 1.5 HP
Brush speed in normal mode	240 RPM
Brush speed in ECO mode	175 RPM
Solution Flow (max) per setting/minute	(1.6/2.3/3.3/4.6) Liters / 0.42/0.61/0.87/1.22Gal
Sound pressure level (one vacuum motor)	72 ± 3 dB (A)
Sound pressure level (two vacuum motors) (*)	75 ± 3 dB (A)
Sound pressure level in ECO mode or in silent mode	69 ± 3 dB (A)
Vacuum motor power	600 W / 0.8 HP
USB charging	5V 2.4A MAX.
Productivity (max)	7840 m ² /h/84389 ft ² /h
Working speed	0 – 8 Km / 0 - 5 Miles per hour
Forward speed	0 – 8 Km / 0 - 5 Miles per hour
Reverse speed	0 – 5 Km / 0 – 3.1 Miles per hour
Drive motor power (input)	1600 W / 2.1 HP
Min. aisle turn	2650mm/104 Inches
Climbing capacity (max) transport	20%
Climbing capacity (max) working	16%
Drive wheel diameter	340mm / 13.4 Inches
Drive wheel specific pressure on the floor	0.68 N/mm ²
Front wheel diameter	250 mm / 10 Inches
Front wheel specific pressure on the floor	0.62 N/mm ²
Handle Vibration Level (max)	< 2.5 m/s ²
Battery Compartment Size without tray (L x W x H)	(680x560x450) mm / 26.7 x 22 x 17.7 Inches
Battery Compartment Size with tray (L x W x H) (*)	(665x550x430) mm / 26.1 x 21.6 x 16.9 Inches
Machine Length without front bumper	1875mm/73.8 Inches
Machine width without squeegee	1077mm/42.4 Inches
Machine Height	1350 mm / 53 Inches
Machine weight with empty tanks (without batteries)	398 Kg / 853.6 Lbs.
Gross Vehicle Weight (GVW)	870 Kg / 1914 Lbs.
Shipping Weight	490 Kg / 1078 Lbs.
Packing dimensions (L x W x H)	(2110 x 1220 x 1535 mm) / (83x 48 x 60.4 Inches)

(*): Optional

WIRING DIAGRAM



OPERATING GUIDE

**WARNING!**

On some points of the machine there are some adhesive plates indicating:

- DANGER!
- WARNING!
- CAUTION!
- CONSULTATION

While reading this Manual, the operator must pay attention to the symbols shown on the plates. Do not cover these plates for any reason and immediately replace them if damaged.

BATTERY CHECK/SETTING ON A NEW MACHINE

**WARNING!**

The electric components of the machine can be seriously damaged if the batteries are either improperly installed or connected. The batteries must be installed by qualified personnel only. Set the battery type using the procedure below according to the type of batteries used (WET or GEL/AGM/DIS/ENE batteries). Check the batteries for damage before installation. Disconnect the battery connector and the battery charger plug. Handle the batteries with great care. Install the battery terminal protection caps supplied with the machine.

**NOTE**

The machine requires six 6V batteries, connected and installed in the positions shown in Figure 5.

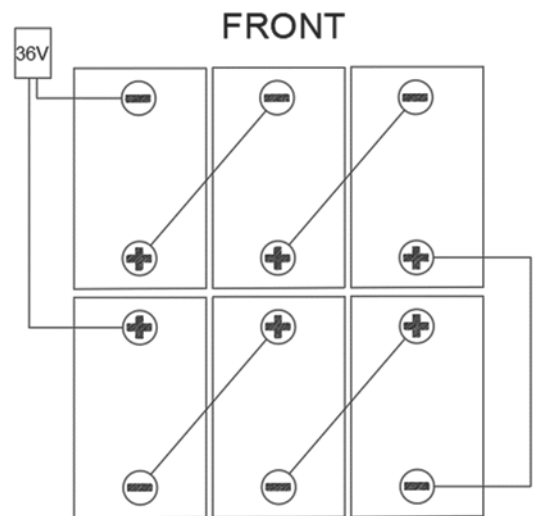


Figure 5

Batteries already installed on the machine

1. Ensure that the battery connector is connected.
2. When first using the machine with new batteries, perform a full charging cycle (see the procedure in Maintenance chapter).

Without batteries

1. Buy appropriate batteries (see “Technical Data” paragraph). For battery choice and installation, contact qualified battery Retailers.
2. Set the battery type setting using the procedure below.

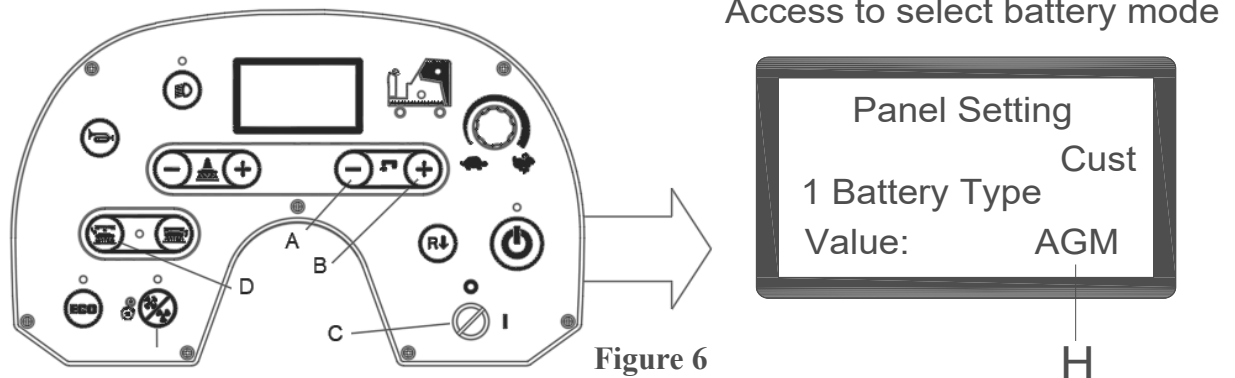
BATTERY INSTALLATION AND BATTERY TYPE SETTING (WET /GEL/ AGM/ DIS/ENE)**Battery installation**

1. Open the left and right latches (7 Figure1).
2. Open the recovery tank lid (5 Figure1) and check that the recovery tank (8 Figure1) is empty; otherwise empty it with the drain hose (38 Figure2).
3. Close the recovery tank lid (5 Figure1).
4. Raise the recovery tank (8 Figure1) carefully.
5. Disconnect the recovery tank cable and remove the whole recovery tank assembly.
6. Remove recovery tank four screws on the bottom of it.
The machine is supplied with cables suitable to install six 6V batteries. Carefully put the batteries into the compartment, then install them correctly as shown in Figure 5. Put the battery fixed plate correctly.
7. Remove one screw of the recovery tank turning cable (31 Figure2) and turn back.
8. Route and install the battery cable as shown in Figure 5, then carefully tighten the nut on each battery terminal.
9. Place the protective cap on each terminal, then connect the battery connector to machine.
10. Assemble the whole recovery tank assembly in the reverse order of disassembly.
11. Carefully lower the recovery tank.

Battery type setting (WET/GEL/AGM/DIS/ENE)

Access to select battery mode

According to the type of batteries (WET/GEL/AGM/DIS/ENE), set the machine as follows:



1. Press water flow button "-" (A, Figure 6) and "+" (B, Figure 6) at the same time.
2. Insert the ignition key (C, Figure 6) and turn it to "I".
3. Several seconds later enter to the screen of selecting battery mode (Figure 6).
4. Press water flow button "-" (A, Figure 6) and "+" (B, Figure 6) to select battery mode (H, Figure 6).
5. Press the release button (D, Figure 6), 3 seconds later show "Update OK" means setting succeeds, restart machine. (C, Figure 6).

Battery charging

Fully charge the batteries (see the procedure in Maintenance chapter).

Battery discharge

When the batteries pattern is full (G, Figure 7), the batteries are fully charged. When the batteries pattern is low (H, Figure 7), the batteries must be charged. A few seconds after the low battery pattern shows, the brush motors are automatically turned off, while the drive system stays on. Drive the machine to the appointed recharging area immediately.



Figure 7

BRUSH/PAD-HOLDER INSTALLATION AND REMOVAL



NOTE

Install either the brush (A, Figure 8) or pad-holder (B and C, Figure 8) according to the type of floor to be cleaned.



CAUTION!

Before installation or removal of brush or pad-holder, make sure all the switches on machine are in off position and the squeegee is lifted off the floor. The operator must be equipped with suitable personnel protection devices, such as gloves to reduce the risk of accidents.

Proceed as following:**INSTALLATION:**

1. Insert the Ignition key (53, Figure 3) and turn it to "I". Lift the deck.
2. Place brushes (A, Figure 8) or pad-holders (B, Figure8) under the deck. Use the brush installation stop (D, Figure8) to help find the proper brush/pad holder position.
3. Install the brush/pad-holder by pressing the Brush/pad-holder click on button (F, Figure 8), the brush/pad-holder will be automatically installed. The rotation direction is shown (Figure 8). The LED indicator light will flash.

REMOVAL:

1. Insert the Ignition key (53, Figure 3) and turn it to "I". Ensure the brush/pad-holder is in the raised (UP) position. Remove the brush/pad-holder by pressing the brush/pad-holder release button (E, Figure 8), the brush/pad-holder will be automatically released. The LED indicator light will be steady on.

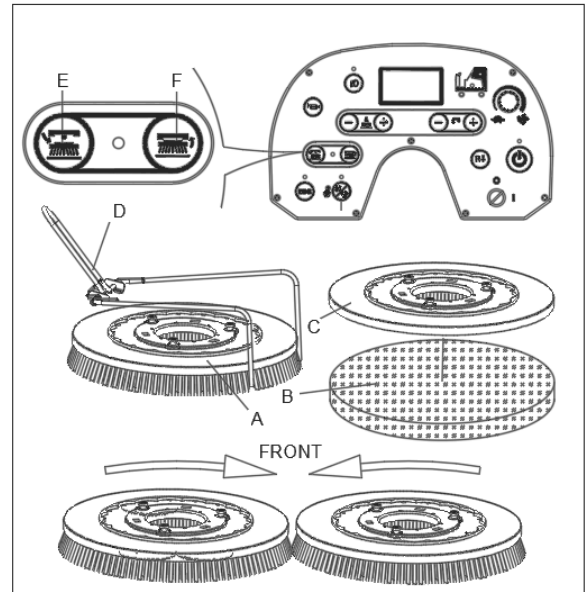


Figure 8

ADJUSTING THE BALANCE OF SIDE SPLASHGUARDS

The splashguard height needs to be monitored, and adjusted. While cleaning with the machine, check the performance of the side splashguards.

- A. If the splashguards are too high, the gap between the splashguard (D) and the floor, will leave water on the floor during turns.
- B. If the splashguards are too low, the splashguard (D) will deflect too far, leaving water during turns, and reducing the life of the splashguard.
- C. Proper adjustment is when the splashguards lightly touch the floor from the front to the rear of the splashguard.

Adjusting procedure as follows:

1. Ensure the deck is in the raised (UP) position.
2. Loosen the top retention nuts (A), and remove the splashguard assembly.
3. Adjust the lower retention nuts (B) up/down.
4. Re-install the splashguard assembly and check the adjustment.
5. Repeat 3. & 4. as required until the splashguard adjustment is correct.
6. Tighten the tope retention nuts (A) to secure the adjustment.
7. Repeat the procedure on the other side splashguard.

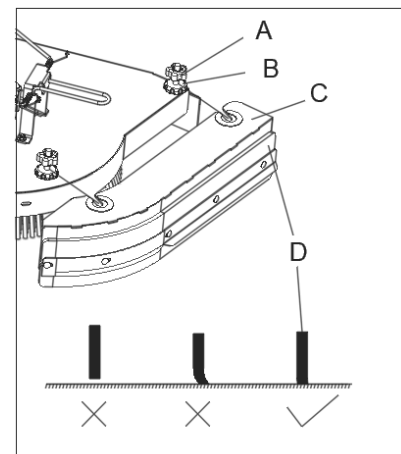


Figure 9

ADJUSTING THE BALANCE OF SQUEEGEE

1. Install the squeegee and tighten up the nuts (C, Figure 10), then connect the vacuum hose (B) to the squeegee.
 2. Adjust the squeegee by squeegee adjusting knob (A).
 - a) If there is a gap between the ground and middle section of rear squeegee blade (E), adjust the knob (A) in clockwise direction (H) until all sections of the rear squeegee blade make good contact with the ground, and the front blade touches the ground slightly.
 - b) If there is a gap between the ground and both end sections of the rear blade (D and F), adjust the knob (A) in counterclockwise direction (G) until all sections of the rear squeegee blade make good contact with the ground, and the front blade touches the ground slightly.
- If necessary, adjust the whole squeegee height by adjust the caster wheel (K) height.

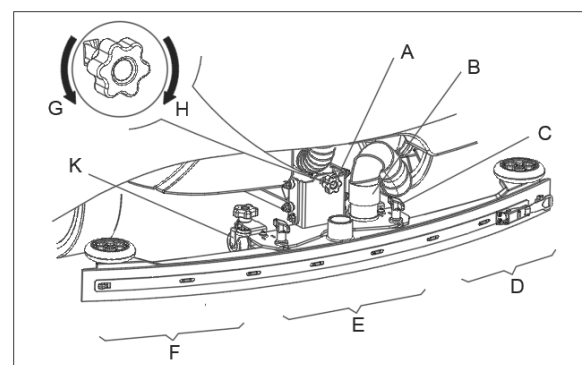


Figure 10

FILLING SOLUTION TANK

1. Open the water inlet cover (A, Figure 11).
2. Fill with water or solution suitable for work performance through the water inlet with filter.
The solution temperature must not exceed +104F (+40°C).
3. Do not overfill the tank, refer to water level indicator (D) for the water volume.



WARNING!

Use only low-foam and non-flammable detergents, intended for automatic scrubber applications.

DRIVE MOTOR AND MECHANICAL BRAKE INSPECTION

1. Turn the ignition key (A Figure 12) to “I”, sit on the seat (C).
2. Depress the accelerate pedal (D) slightly then release it to check if the machine can be steered forward and stopped.
3. To ensure safety, confirm the machine can be stopped immediately when pressing the emergency button (B). Rotate the emergency button to reset it.
4. Depress the mechanical brake pedal (F) quickly to check if the machine can be stopped immediately.



WARNING!

Working climbing capacity shall not exceed 16%. When working on slope, must keep the tank latches (7 Figure 1) engaged. For safety, never stop it on slope.



CAUTION

The brake of drive motor is released when the motor works normally, it locks when the motor is off. In some special cases, such as machine packing/unpacking, machine fault etc., the machine may need to be pushed. On drive motor (G Figure 12) push down the brake handle (H Figure 12), the machine brake is released, and the machine can be moved. After completion, push up the handle back, so the machine can work

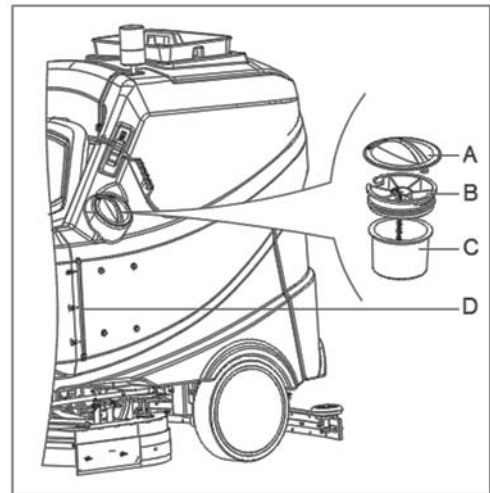


Figure 11

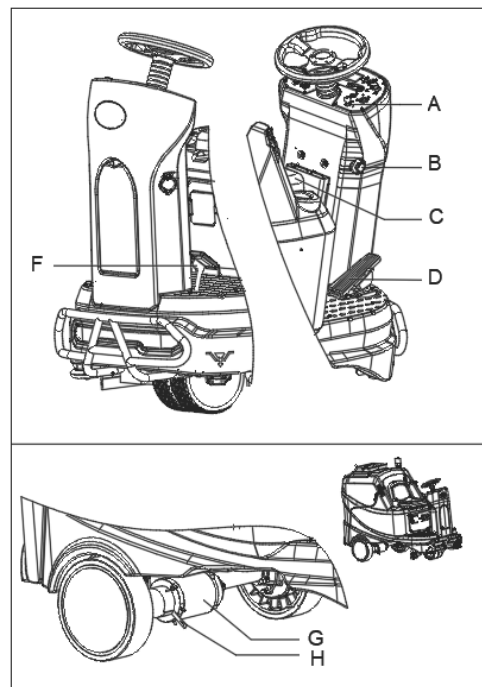


Figure 12

MACHINE START AND STOP

Start the machine

1. Prepare the machine as shown in the previous paragraph.
 2. Sit on the seat (K Figure13), insert the Ignition key (J Figure13) and turn it to “I”. Check batteries status from display screen. If necessary to charge the batteries (see the procedure in Maintenance chapter).
 3. Drive the machine to the working area.
- The forward/reverse direction can be controlled with the switch (H Figure13). The speed can be adjusted with the adjuster (E Figure13).
4. Press One-Start button (G, Figure13) to start the machine, the squeegee and brushes are lowered to the floor automatically, and the vacuum motor begins to work.
 5. Press the solution flow control buttons (F, Figure13) as necessary, depending on the type of cleaning to be performed.
 6. Depress the accelerator pedal (Q Figure13), and start cleaning.
 7. You can charge your phone or pad through USB charging port (M Figure13) when the Ignition key (J Figure13) is turned to “I”.
 8. Press the horn button (B Figure13) to warn people when necessary.

9. If necessary, press the emergency button (N Figure13) for machine emergency stop.
10. If necessary, press the front lights button (C Figure13) for dark areas or to warn pedestrians.
11. If necessary, adjust the seat (K Figure13) by turning right the handle on the right of seat, then slide the seat to proper position.

**NOTE**

The brush motor, vacuum motor, drive motor and control circuit are protected by overload protector (P Figure13). When an overload protector trips, do not reset it immediately without finding out the root cause, and make sure the motor has cooled before reset.

Stop the machine

12. Release the accelerator pedal (Q Figure13), the machine stops running.
13. Press One-Start button (G Figure13) to stop brushes and vacuum motor. The brushes and squeegee are lifted from the floor automatically. The vacuum system will turn off after a few seconds.
14. Turn the Ignition key to "0".
15. Make sure the machine cannot move independently.

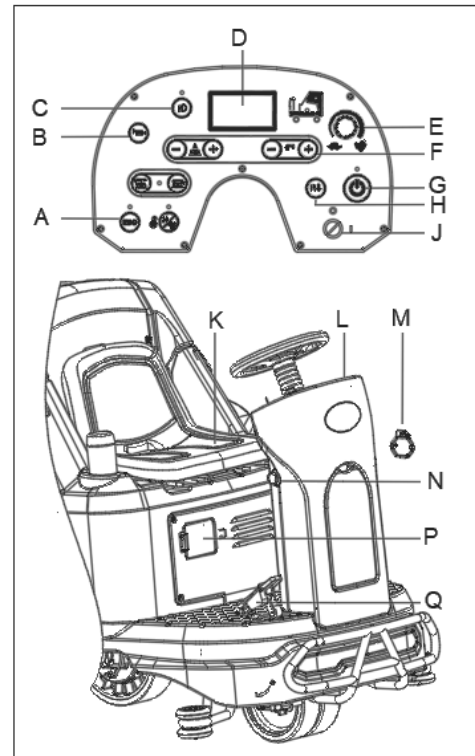


Figure 13

MACHINE OPERATION (SCRUBBING AND DRYING)

1. Start the machine according to procedures in previous paragraphs.
2. Start cleaning by following procedures in section of "Starting the machine".
3. If necessary, stop the machine to adjust side splashguards according to section "Adjusting the balance of side splashguards".
4. If necessary, stop the machine to adjust squeegee according to section "Adjusting the balance of squeegee".

**NOTE**

For correct scrubbing/drying of floors at the sides of the walls. It is suggested to go near the walls with the right side of the machine (Figure 14) as shown in the figure.

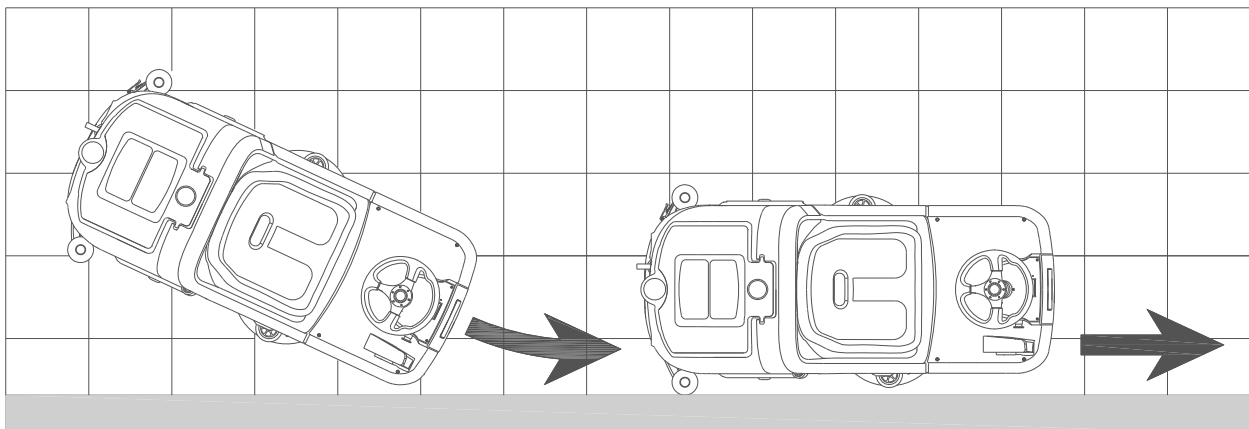


Figure 14

TANK EMPTYING

Recovery water tank emptying

When the Multifunction display (47, Figure 3) show ERROR24 and the recovery tank full indicator (48, Figure3) is turned on. It indicates the recovery tank (C, Figure15) is full, the vacuum motor cannot longer dry the floor. Empty the recovery tank as following steps:

1. Stop the machine.
2. Lift the brush/pad-holder deck and the squeegee by pressing the one-button start (51, Figure 3).
3. Drive the machine to the appointed disposal area.
4. Empty the recovery water tank with the hose (D, Figure 15). Then, rinse the tank (C, Figure 15) with clean water.



CAUTION!

When draining the wastewater, the hold the drain hose high, and fold over the top section to avoid spilling onto the operator.

Solution/clean water tank emptying

1. Empty the solution tank with the outlet cover (A, Figure 15). After working, rinse the tank with clean water.

AFTER USING THE MACHINE

After working, before leaving the machine:

1. Remove the brushes/pad-holders by pressing the release left button (56, Figure 3) and clean them.
2. Empty the tanks (B and C, Figure 15) as shown in the previous paragraph.
3. Perform the daily maintenance procedures (see the Maintenance chapter).
4. Store the machine in a clean and dry place, with the brushes/ pad-holders and the squeegee lifted or removed.
5. Use the recovery tank lid support to keep the lid open. This will help prevent odors from building up inside.

MACHINE STORAGE DURING LONG INACTIVITY

If the machine is not going to be used for more than 30 days, proceed as follows:

1. Perform the procedures shown in After Using the machine paragraph.
2. Disconnect the battery connector.

FIRST PERIOD OF USE

After the first 8 hours, check the machine fastening and connecting parts for proper tightening and check the visible parts for wear and leakage.

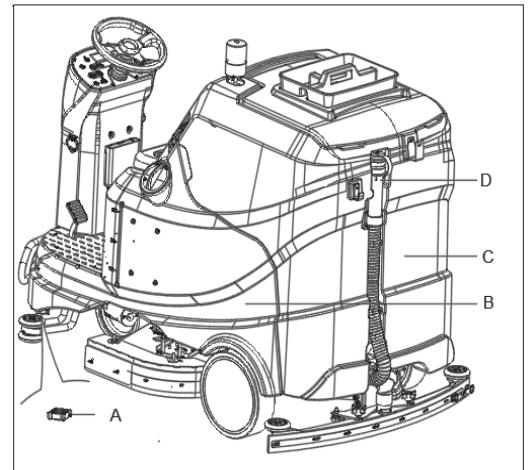


Figure 15

MAINTENANCE

**WARNING!**

Maintenance procedures must be performed after the machine is turned off and the battery charger cable is disconnected. In addition, carefully read the safety chapters in these instructions.

All scheduled or extraordinary maintenance procedures must be performed by qualified personnel or an authorized Service Center. This manual only describes the general and common maintenance procedures.

For other maintenance procedures that are not in below maintenance schedule table, please contact our Technical Support Department.

SCHEDULED MAINTENANCE TABLE

**CAUTION!**

The procedure marked with (1) must be performed when the machine is used after 8 hours for the first time. The procedure marked with (2) must be done by Service Center that qualified by our company.

Procedure	Daily, after each use	Weekly	Semiannually	Yearly
Battery charging				
Squeegee cleaning				
Brush/Pad-holder cleaning				
Tank cleaning				
Tank gasket strip inspection				
Debris collection box cleaning				
Brush/Pad cleaning				
Splash guard cleaning				
Squeegee blade check and replacement				
Solution filter cleaning				
Vacuum intake filter cleaning				
WET battery fluid level check				
Screw and nut tightness inspection			(1)	
Add lubricating oil for rotating parts (like brake oil)			(1)	
Brush motor carbon brush check or replacement				(2)
Vacuum motor carbon brush check or replacement				(2)
Drive system motor carbon brush check or replacement				(2)

BATTERY CHARGING**NOTE**

Charge the batteries when the battery is low.

**CAUTION!**

Keeping the batteries charged make their life last longer.

**CAUTION!**

When the batteries are discharged, charge them as soon as possible, as that condition makes their life shorter. Check for battery charge at least once a week.

**WARNING!**

WET battery charging produces highly explosive hydrogen gas. Charge the batteries in well-ventilated areas and away from naked flames. Do not smoke while charging the batteries. Keep the tank open while charging the batteries.

**WARNING!**

Pay careful attention when charging the batteries as there may be battery fluid leakages. The battery fluid is corrosive. If it contacts with skin or comes into eyes, rinse thoroughly with water and consult a physician.

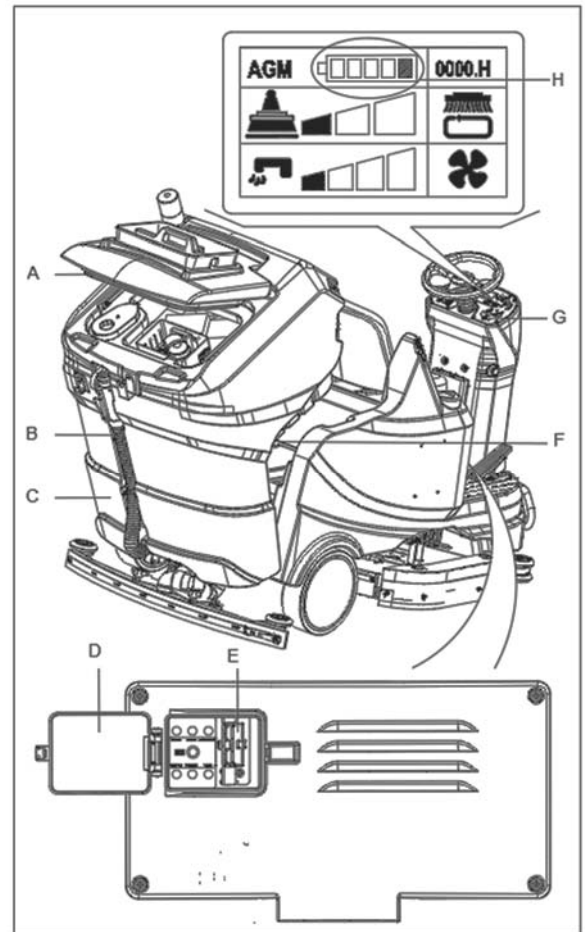


Figure 16

Preliminary procedures

1. Open the cover (A, Figure 16) and check that the recovery water tank (C, Figure 16) is empty, otherwise empty it with the drain hose (B, Figure 16).
2. Drive the machine to designated charging area.
3. Turn the Ignition key (G, Figure 16) to "0".
4. Charge the batteries according to the following procedure.

Battery charging (The machine with off-board charger)

5. Open the protective cover (D, Figure 16). Connect the battery charger connector to the connector on the machine (E, Figure 16). When the battery charger is connected, all machine functions are automatically cut off.
6. Plug the battery charger into the wall socket.
7. When the battery charging is completed, unplug the charger from the wall socket, then disconnect the battery charger cable from machine.
8. Electrolyte levels should be checked after the batteries are charged.
9. Insert the Ignition key (G, Figure 16) and turn it to "I". Check the status of batteries on multifunction display screen (H, Figure 16).

BRUSH/PAD CLEANING**CAUTION!**

It is advisable to use protective gloves when cleaning the brush/pad because there may be sharp debris.

1. Remove the brush/pad from the machine, as shown in the Use chapter.
2. Clean and wash the brush/pad with water and detergent.
3. Check that the brushes/pads are in working condition and not excessively worn; if necessary replace them.

SOLUTION FILTER CLEANING

1. Drive the machine a level section of floor.
2. Ensure that the machine is off and the Ignition key (53, Figure 3) has been removed.
3. Empty the solution tank or turn off the tap (24, Figure 1).
4. Remove the filter cover (22, Figure 1), then remove the filter strainer. Clean the strainer, and re-install it onto the filter base.
5. Check the filter "O" ring gasket. If there is damage, replace it.
6. Re-install the filter cover.

**NOTE**

The filter strainer must be correctly positioned on the housing of the filter base.

SQUEEGEE CLEANING

1. Drive the machine to a level section of floor.

**NOTE**

The squeegee blades must be clean, and in good conditions for getting good drying action.

**CAUTION!**

It is advisable to wear protective gloves when cleaning the squeegee because there may be sharp debris.

2. Turn the Ignition key (53 Figure 3) to "0".
3. Loosen the two knobs (B Figure 17) and remove the squeegee (A).
4. Disconnect the vacuum hose (C) from the squeegee.
5. Clean the steel or aluminum squeegee housing (F Figure 17). Clean the compartments (A) and the hole (G) especially. Check the front blade (D) and the rear blade (E) for integrity, cuts and tears; if necessary replace them (see the procedure in the following paragraph).
6. Assemble the squeegee in the reverse order of disassembly.

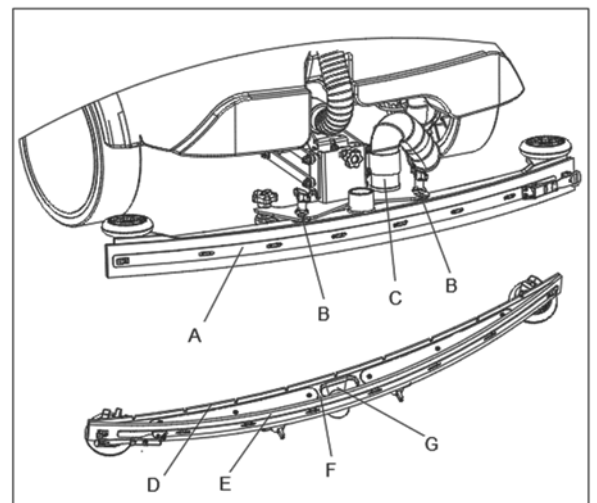


Figure 17

SQUEEGEE BLADE CHECK AND REPLACEMENT

1. Clean the steel or aluminum squeegee, as shown in the previous paragraph.
2. Check that the edges (E, Figure 18) of the front blade (C) and the edges (F) of the rear blade (D) lay down on the same level, along their length; if necessary, adjust their height according to the following procedure:
 - Remove the tie rod (G), disengage the fasteners (M) and adjust the rear blade (D), then engage the fasteners (M) and install the tie rod (G).
 - Loosen the knobs (I) and adjust the front blade (C), then tighten the knobs.

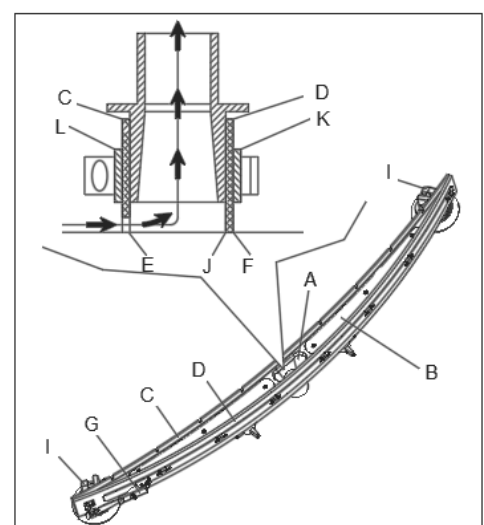


Figure 18

3. Check the front blade (C) and rear blade (D) for wear, cuts and tears; if necessary, replace them according to the following procedure. Check that the front edge (J) of the rear blade (D) is not worn; if necessary, turn the blade over to replace the worn edge with an integral one. If the other edges are worn too, replace the blade according to the following procedure:
 - Remove the tie rod (G), disengage the fasteners (M) and remove the retaining strip (K), then replace the rear blade (D). Assemble the blade in the reverse order of disassembly.
 - Unscrew the knobs (I) and remove the retaining strip (L), then replace the front blade (C). Assemble the blade in the reverse order of disassembly. After the blade replacement (or turning over), adjust the height as shown in the previous step.
4. Connect the vacuum hose (A, Figure 18) to the squeegee.
5. Install the squeegee (B) and screw down the knobs (C).
6. If necessary, adjust the squeegee balance adjusting knob (35 Figure2).

TANK AND DEBRIS COLLECTION BOX CLEANING, AND COVER GASKET CHECK

1. Drive the machine on a level floor.
2. Ensure that the machine is off and the key witch (53, Figure 3) has been removed.
3. Open the recovery tank lid (A, Figure 19) and make sure the support (B) is working.
4. Clean the recovery tank lid (A), recovery tank (F), the vacuum filter (C) and the debris collection box (D). Empty the recovery tank with the drain hose (E).
5. Inspect the integrity of the tank gasket strip.



CAUTION!

Insure the lid support is latched properly. Take care that the tank lid is not open too far and you do not bump into the support, while working inside. The tank lid can close suddenly.



NOTE

Tank gasket strip (G) is critical to produce the suction inside the tank when the vacuum motor is working. The tank must be sealed so it can effectively move the water from the ground to the recovery tank.

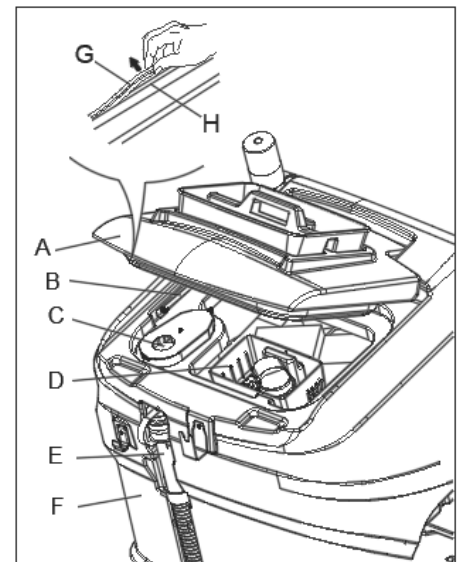


Figure 19

6. Check whether the contact surface of gasket strip (G) is good condition and sealing is sufficient. If necessary, take the gasket strip of the tank out of the groove (H) and replace it. Assemble the new gasket strip as shown in (Figure 19), the joint should be back in the middle area.
7. Close the recovery tank lid (A).

ACCESSORIES/OPTIONS

In addition to the standard components, the machine can be equipped with the following accessories/options, according to the machine specific use:

For further information concerning the above-mentioned optional accessories, contact an authorized Retailer.

ACCESSORIES/OPTIONS

See "Parts List" section

1. Brush of different materials
2. Mop clamp
3. Utility caddy
4. Overhead guard
5. Dual vacuum system

TROUBLESHOOTING

Trouble	Probable causes	Remedy
The motors do not work, error code on display	The battery connector is disconnected.	Connect the battery connector.
	The batteries are completely discharged.	Charge the batteries.
	Error code see the table.	Restart the machine.
The machine does not move	The machine is turn off with the Ignition key.	Turn on the Ignition key.
	Emergency button is pressed.	Release the emergency button.
	The operator is not on the seat.	Sit on the seat.
The recovery water vacuuming is insufficient.	The recovery water tank is full.	Empty the tank.
	The hose is disconnected from the squeegee.	Connect.
	The debris collection box is full, or the squeegee hose outlet is clogged.	Clean the box or the outlet.
	The squeegee is dirty or the squeegee blades are worn or damaged.	Clean and check the squeegee.
	The tank lid is not properly closed, or the gasket is damaged, or the standpipe tube is clogged.	Close the lid correctly, or replace the gasket or clean the Bend tube.
	The vacuum hose is clogged.	Clean.
The solution flow to the brushes is insufficient.	The solution/clean water filter is dirty.	Clean the filter.
	Pump or valve was broken.	Replace the broken.
The squeegee leaves marks on the floor.	There are debris under the squeegee blades.	Remove the debris.
	The squeegee blades are worn, chipped or torn.	Replace the blades.
	The squeegee has not been adjusted with the knob.	Adjust.
	The side splashguards are not adjusted well.	Adjust.

ERROR CODE OF DISPLAY

Error 1	Valve Overload	Valve short circuit or overload
Error 2	Brush Overload	Brush motor short circuit or overload
Error 3	Vacuum Overload	Vacuum motor short circuit or overload
Error 4	Tra Overload	Traction motor short circuit or overload
Error 5	Bru-D Overload	Brush actuator motor short circuit or overload
Error 6	Battery Low	Low battery voltage
Error 7	Brush Open	Brush motor wiring is open circuit
Error 8	Vacuum Open	Vacuum motor wiring is open circuit
Error 9	Valve Open	Water valve wiring is open circuit
Error 10	Switch SRO	When key switch is on, accelerator is pressed. Accelerator zero output voltage is high.
Error 11	Tract Carbon	Remind user to change traction motor carbon
Error 12	Brush Carbon	Remind user to change brush motor carbon
Error 13	Vacuum Carbon	Remind user to change vacuum motor carbon
Error 14	C EEPROM Err	EEPROM error or parameter setting error
Error 15	P EEPROM Err	EEPROM error or parameter setting error
Error 16	Comm Err	Communication wiring broken 1. Wrong wiring Controller power off
Error 17	C Self-Test Err	1. Accelerator fault 2. Internal relay welded 3. Mosfet or other hardware fault
Error 18	Overheat	1. Controller overheat 2. Mosfet overheat
Error 19	Battery High	Battery voltage > 44V
Error 23	Clean Empty	Clean water tank is empty or clean water switch wiring problem
Error 24	Dirty Full	Dirty water tank is full or dirty water switch wiring problem
Error 26	Brake Err	Brake short circuit or overload
Error 27	Water Pump Err	Water pump short circuit or overload
Error 28	SQU Overload	Squeegee actuator motor short circuit or overload
Error 29	Beeper Overload	Beeper short circuit or overload
Error 30	E-CONT Overload	External contactor short circuit or overload
Error 31	Speed Limit Err	Speed potentiometer is out of range(100+/-20K)
Error 32	A-Lamp Overload	Alarm lamp short circuit or overload
Error 33	Light Overload	Light short circuit or overload
Error 34	Machine Locked	Machine is locked (IOT module is optional)
Error 35	IOT Missing	IOT module is missing (IOT module is optional)
Error 36	Brake Open	Electromagnetic brake wiring open circuit
Error 39	USB Overload	USB Charger Overload

**NOTE**

When the screen displays an error code. Restart the machine by Ignition key (53, Figure 3). If the error can't be eliminated, please contact our company service center.

SCRAPPING

Scrap the machine by the qualified waste treatment institution.

Before the machine is scrapped, please take away and segregate below subassembly that relevant laws and regulations request must be disposed in appropriate way.

- Battery
- Brush/Pad-holder
- Plastic hose and plastic parts
- Electrical and electronic components (*)

(*) Please contact our company service center when destroying any electrical and electronic components.

Machine material composition and recyclability

Type	Recyclable percentage	Weight percentage
Aluminum	100%	1%
Electric motors-various	29%	20%
Ferrous materials	100%	39%
Wiring harness	80%	1%
Liquids	100%	0%
Plastic-non-recyclable material	0%	1%
Plastic-recyclable material	100%	35%
Rubber	20%	3%

TABLE DES MATIÈRES

INTRODUCTION	26
BUT ET CONTENU DU GUIDE	26
COMMENT CONSERVER CES INSTRUCTIONS D'UTILISATION	26
ACCESSOIRES ET ENTRETIEN	26
CHANGEMENT ET AMÉLIORATION	26
CHAMP D'APPLICATION	26
DONNÉES D'IDENTIFICATION DE LA MACHINE	26
TRANSPORT ET DÉBALLAGE	27
SÉCURITÉ	27
SYMBOLES VISIBLES SUR LA MACHINE	27
SYMBOLES UTILISÉS DANS CES INSTRUCTIONS D'UTILISATION	27
CONSIGNES GÉNÉRALES DE SÉCURITÉ	28
DESCRIPTION DE LA MACHINE	30
STRUCTURE DE LA MACHINE *--facultatif	30
PANNEAU DE COMMANDE (comme illustré)	31
CARACTERISTIQUES TECHNIQUES	34
SCHÉMA DE CÂBLAGE	35
GUIDE D'UTILISATION	36
VÉRIFICATION/RÉGLAGE DE LA BATTERIE SUR UNE NOUVELLE MACHINE	36
INSTALLATION DES BATTERIES ET RÉGLAGE DU TYPE DE BATTERIE (LIQUIDE/ GEL/AGM/DIS/ENE)	36
INSTALLATION ET RETRAIT DE LA TÊTE DE LAVAGE	37
RÉGLAGE DE L'ÉQUILIBRE DES BAVETTES ANTI-PROJECTION LATÉRALES	38
AJUSTEMENT DE L'ÉQUILIBRE DE L'EMBOUCHURE	38
REMPLISSAGE DU RÉSERVOIR DE SOLUTION	39
INSPECTION DU MOTEUR D'ENTRAÎNEMENT ET DU FREIN MÉCANIQUE	39
DÉMARRAGE/ARRÊT DE LA MACHINE	39
FONCTIONNEMENT DE LA MACHINE (BROSSAGE ET SÉCHAGE)	40
VIDANGE DU RÉSERVOIR	41
APRÈS UTILISATION DE LA MACHINE	41
STOCKAGE DE MACHINE PENDANT UNE LONGUE INACTIVITÉ	41
PREMIÈRE PÉRIODE D'UTILISATION	41
ENTRETIEN	42
CALENDRIER D'ENTRETIEN PROGRAMMÉ	42
CHARGEMENT DE LA BATTERIE	43
NETTOYAGE DE LA BROSSE/DU DISQUE	44
NETTOYAGE DU FILTRE DE SOLUTION	44
NETTOYAGE DE L'EMBOUCHURE	44
VÉRIFICATION ET REMPLACEMENT DES LAMES DE RACLETTE	44
NETTOYAGE DU BOÎTIER DE COLLECTE DES DÉBRIS ET DU RÉSERVOIR, ET VÉRIFICATION DU JOINT DU COUVERCLE	45
ACCESSOIRES/OPTIONS	45
DÉPANNAGE	46
CODE D'ERREUR DE L'ÉCRAN	47
MISE AU REBUT	48

INTRODUCTION



REMARQUE

Les chiffres entre parenthèses renvoient aux éléments présentés dans le chapitre Description de la Machine.

BUT ET CONTENU DU GUIDE

Le but de ces instructions d'utilisation est de fournir à l'opérateur toutes les informations de base et les caractéristiques techniques, les conditions de fonctionnement, d'inactivité, les pièces détachées et les conditions de sécurité de la machine, etc.

Avant d'effectuer toute opération sur la machine, les opérateurs et les techniciens qualifiés doivent lire les Instructions d'utilisation. Contacter notre société en cas de doutes concernant l'interprétation des instructions ou pour toute information complémentaire.

COMMENT CONSERVER CES INSTRUCTIONS D'UTILISATION

Les instructions d'utilisation doivent être conservées près de la machine, dans une pochette spéciale, à l'écart des liquides et d'autres substances susceptibles de l'abîmer.

ACCESSOIRES ET ENTRETIEN

Toutes les opérations nécessaires, les procédures d'entretien et de réparation doivent être effectuées par un personnel qualifié ou par le centre d'entretien désigné de notre société. N'utiliser QUE les pièces détachées et les accessoires autorisés.

Contactez le service à la clientèle de notre société pour tout service ou achat d'accessoires ou pièces détachées si nécessaire.

CHANGEMENT ET AMÉLIORATION

Nous nous engageons à l'amélioration continue de nos produits. La société se réserve le droit de modifier et d'améliorer la machine sans informations supplémentaires.

CHAMP D'APPLICATION

L'autolaveuse s'applique à l'usage commercial et industriel. Elle convient pour le nettoyage de sols lisses et fermes et doit être manipulée par mesure de sécurité par une personne qualifiée. Elle ne convient pas pour une utilisation en extérieur ou pour le nettoyage de la moquette ou des revêtements de sol rugueux.

DONNÉES D'IDENTIFICATION DE LA MACHINE

Le numéro de série et le nom du modèle de la machine sont indiqués sur l'étiquette de série.

Ces informations sont utiles. Utiliser le tableau suivant pour noter les données d'identification de la machine, lors de communication nécessitant des pièces de rechange pour la machine.

MODÈLE DE LA MACHINE.....
NUMÉRO DE SÉRIE DE LA MACHINE.....

TRANSPORT ET DÉBALLAGE

Lorsque le transporteur livre la machine, s'assurer que l'emballage et la machine sont à la fois intacts et en bon état. En cas de dommage, porter à la connaissance du transporteur les dommages avant d'accepter les marchandises, afin de se réserver le droit en termes de réparation des dommages.

Suivre attentivement les instructions sur l'emballage, lors du déballage de la machine.

Vérifier que les éléments suivants sont inclus dans l'emballage :

1. Documentation technique -- Instructions d'utilisation.
2. Composants de connexion de la batterie.
3. Manuel du chargeur électronique de la batterie (selon les modèles) (*)

SÉCURITÉ

Les symboles suivants indiquent les situations potentiellement dangereuses. Toujours lire attentivement ces informations et prendre toutes les précautions nécessaires pour protéger les personnes et les biens.

SYMBOLES VISIBLES SUR LA MACHINE



AVERTISSEMENT !

Lire toutes les instructions avec attention avant d'effectuer toute opération sur la machine.



AVERTISSEMENT !

Ne pas laver la machine avec des jets d'eau directs ou sous pression.



AVERTISSEMENT !

Ne pas utiliser la machine pour travailler sur des pentes ayant une inclinaison dépassant ce qui est défini au chapitre des spécifications.

SYMBOLES UTILISÉS DANS CES INSTRUCTIONS D'UTILISATION



DANGER !

Cela indique une situation dangereuse avec risque de mort pour l'opérateur.



AVERTISSEMENT !

Cela indique un risque potentiel de blessure pour les personnes.



ATTENTION !

Cela indique un avertissement ou une remarque concernant des fonctions importantes ou utiles. Prêter l'attention aux paragraphes marqués par ce symbole.



REMARQUE

Cela indique une remarque sur des fonctions importantes ou utiles.



CONSULTATION

Ceci indique la nécessité de se référer aux instruction d'utilisation avant d'entreprendre toute procédure.

CONSIGNES GÉNÉRALES DE SÉCURITÉ

Les avertissements et les mises en garde spécifiques, pour informer des dommages potentiels aux personnes et à la machine, sont indiqués ci-dessous.



DANGER !

- Cette machine doit être exploitée par du personnel qualifié et autorisé selon les conseils du manuel.
- Avant d'effectuer toute opération de nettoyage, d'entretien, de réparation ou de remplacement, lire attentivement toutes les instructions, veiller à éteindre la machine et à débrancher le connecteur de la batterie.
- Ne pas faire fonctionner la machine à proximité de poudres, vapeurs ou liquides toxiques, dangereux, inflammables et/ou explosifs. Cette machine ne convient pas pour la collecte des poudres dangereuses.
- Ne pas porter de bijoux lors du travail à proximité de composants électriques.
- Ne pas travailler sous la machine soulevée sans qu'elle soit supportée par des béquilles de sécurité.
- Les batteries liquides peuvent émettre des gaz inflammables lors de leur utilisation normale. Éloigner les étincelles, les flammes, les substances fumigènes et les éléments rayonnants, éclairants et brûlants des batteries.
- Lors du chargement de batteries au plomb (À LIQUIDE), de l'hydrogène gazeux peut s'en dégager risquant de provoquer des explosions. Veiller à ce que l'environnement de chargement soit bien aéré et loin des flammes.



AVERTISSEMENT !

- Cette machine est conçue pour l'USAGE COMMERCIAL, par exemple dans des hôtels, des écoles, des hôpitaux, des usines, des magasins, des bureaux et des entreprises de propreté.
- Les machines laissées sans surveillance doivent être bloquées afin d'empêcher tout mouvement involontaire.
- Afin de prévenir un usage non autorisé de la machine, la source d'alimentation doit être commutée ou verrouillée, par exemple en enlevant la clé du commutateur principal ou la clé de contact.
- Inspecter attentivement la machine avant chaque utilisation. Veiller à ce que tous les composants aient été bien assemblés avant l'utilisation. Les éléments lâches peuvent causer des dommages aux personnes et aux biens.
- Ne jamais déplacer la machine en tirant sur le câble du chargeur de batterie. Ne pas faire passer le câble par une porte fermée ni l'enrouler autour de bords ou d'arêtes tranchantes. Ne pas faire fonctionner la machine sur le câble du chargeur de batterie. Éloigner le câble du chargeur de batterie des surfaces chauffées.
- Ne pas charger les batteries si le câble de chargeur de batterie ou la fiche sont endommagés.
- Pour réduire le risque d'incendie, de choc électrique ou de blessure, s'assurer que la machine est éteinte avant de partir.
- Utiliser ou stocker la machine en intérieur dans des conditions sèches. Il est interdit de l'utiliser en extérieur.
- La température de stockage et de travail doit être comprise entre 0 °C et +40 °C, l'humidité de l'air doit être comprise entre 30% et 95%.
- Ne pas utiliser la machine sur des pentes dont l'inclinaison dépasse les spécifications.
- Lors de l'utilisation et de la manipulation de détergents de nettoyage de sols, suivre les instructions des étiquettes des bouteilles de détergent et porter des gants et de protection appropriée.
- Utiliser les brosses et les supports de disque fournis avec la machine ou définis dans le manuel. L'utilisation d'autres brosses ou supports de disque pourrait diminuer la sécurité.
- En cas de mauvais fonctionnements de la machine, veiller à ce qu'ils ne soient pas dus à un manque d'entretien. Si nécessaire, demander l'assistance du personnel autorisé ou d'un centre d'entretien agréé.
- Prendre toutes les précautions nécessaires pour empêcher les cheveux, les bijoux et les vêtements amples d'être retenus par des pièces en mouvement de la machine.
- Ne pas utiliser la machine dans des endroits particulièrement poussiéreux.
- Ne pas laver la machine avec des jets d'eau directs ou sous pression, ou avec des substances corrosives.
- Ne pas heurter d'étagères ou d'échafaudages, en particulier lorsqu'il y a un risque de chute d'objets.
- Ne pas poser de récipients contenant des liquides sur la machine, utiliser le porte-gobelet prévu à cet effet.

- Pour éviter d'endommager le sol, ne pas laisser la brosse/le disque fonctionner alors que la machine est à l'arrêt.
- En cas d'incendie, utiliser un extincteur à poudre. Ne pas utiliser les extincteurs liquides.
- Ne pas enlever ou modifier les autocollants de la machine.
- Ne pas modifier les dispositifs de sécurité de la machine et suivez scrupuleusement les instructions d'entretien prévu.
- Faire attention pendant le transport de la machine, si la température est sous le point de congélation. L'eau, dans le réservoir de récupération et dans les tuyaux, pourrait geler et causer de sérieux dommages à la machine.
- Si les pièces détachées doivent être remplacées, commander les pièces détachées D'ORIGINE auprès d'un concessionnaire agréé.
- Retourner la machine au centre d'entretien, si elle ne fonctionne pas comme d'habitude ou si elle est endommagée.
- Pour assurer un fonctionnement adéquat et sécurisé de la machine, l'entretien prévu indiqué dans le chapitre correspondant de ce manuel doit être effectué par le personnel autorisé ou un concessionnaire ou revendeur agréé.
- La machine doit être correctement éliminée, étant donné la présence de matières toxiques (batteries, etc.) soumises à des normes qui exigent l'élimination dans des centres spéciaux (voir le chapitre Mise au rebut).
- Cette machine est un outil de nettoyage qui ne doit pas être utilisé à d'autres fins.
- Toujours garder les ouvertures exemptes de poussière, de poils et de tout autre corps étranger qui pourrait réduire le flux d'air. Ne pas utiliser la machine si les ouvertures sont bouchées.
- Utiliser la machine à condition de disposer d'un éclairage adapté.
- Cette machine n'est pas conçue pour être utilisée par des personnes (y compris des enfants) avec des facultés physiques, sensorielles ou mentales réduites, ou manquant d'expérience et de connaissances.
- Une attention particulière est nécessaire lorsqu'elle est utilisée à proximité d'enfants.
- Les enfants doivent être surveillés afin de s'assurer qu'ils ne jouent pas avec la machine.
- Tout en utilisant cette machine, prendre soin de ne pas causer de dommages aux personnes ou aux objets se trouvant aux alentours.
- Le nettoyage et l'entretien réservés à l'utilisateur ne doivent pas être confiés à des enfants sans surveillance.
- Les opérateurs doivent être formés correctement à l'utilisation de ces machines.

DESCRIPTION DE LA MACHINE

STRUCTURE DE LA MACHINE *--facultatif

1. Volant
2. Siège, réglable
(avec interrupteur de sécurité)
3. Voyant d'avertissement
4. Chariot utilitaire (*)
5. Couvercle du réservoir de réc.
6. Crochet
7. Loquet (x2)
8. Réservoir de récupération
9. Couvercle du filtre
10. Support du tuyau de filtre
11. Support du filtre
12. Réservoir de la solution
13. Tube de niveau d'eau
14. Roues motrices (avec freins
mécaniques)
15. Bavettes anti-projection latérales
16. Ensemble brosse
17. Pompe
18. Roues d'amortisseur
19. Couvercle de vidange du réservoir de
solution
20. Roues avant
21. Feux avant
22. Filtre de solution
23. Parechoc avant
24. Vanne d'arrêt de la solution
25. Pédale de frein mécanique
26. Couvercle de rangement interne
27. Port USB de charge
28. Panneau de commande
29. Interrupteur d'urgence
30. Porte-gobelet
31. Câble de support du réservoir de réc.
32. Pédale d'accélération
33. Butée d'installation du pilote de brosse/disque
34. Molettes de la raclette
35. Bouton de réglage de l'équilibre de la raclette
36. Tuyau d'aspiration de la raclette
37. Raclette
38. Tuyau de vidange de l'eau de réc.
39. Crochet de la raclette
40. Boîtier de collecte des débris
41. Filtre d'aspiration
42. Joint du couvercle du réservoir
43. Batteries (NA)
44. Support de batterie
45. Système d'aspiration
46. Double système d'aspiration (*)

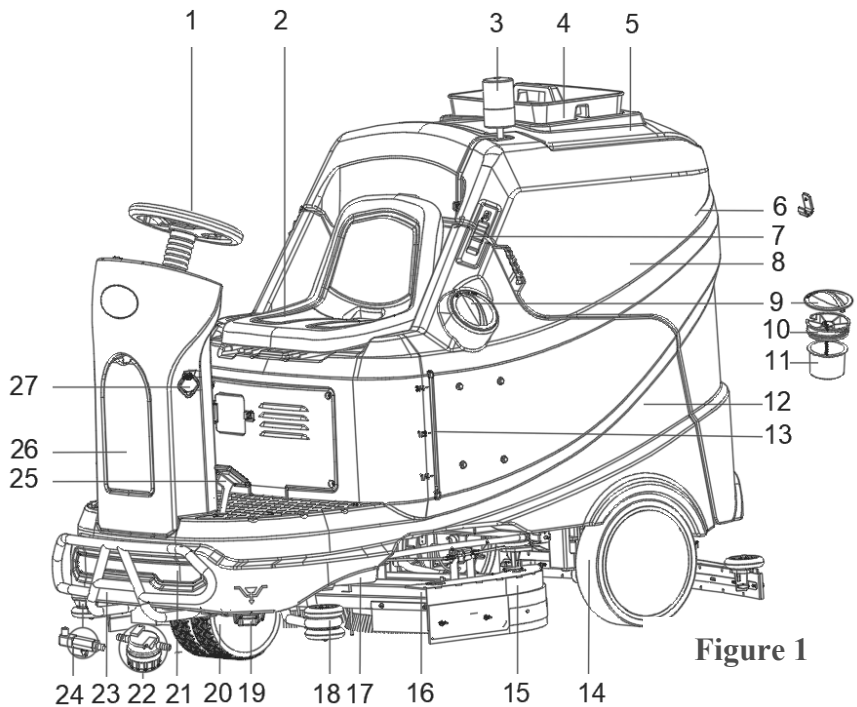


Figure 1

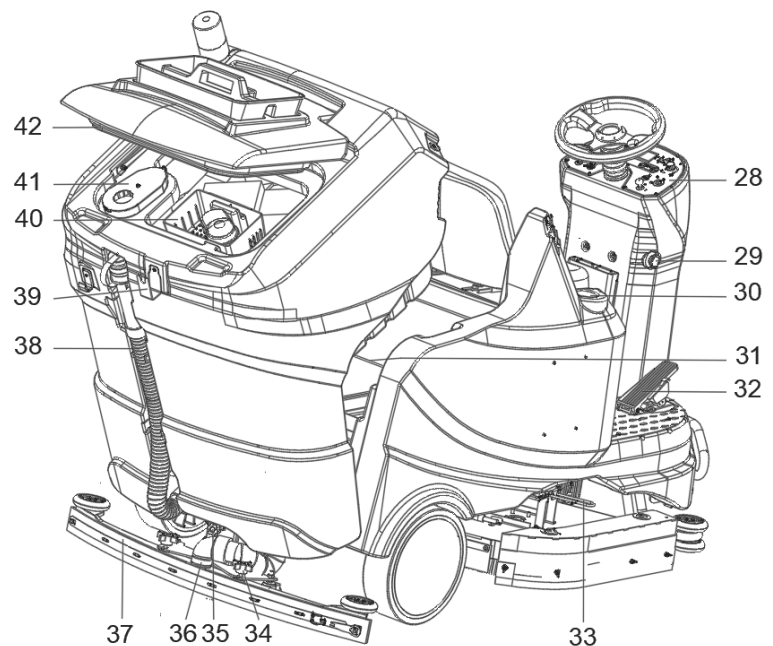
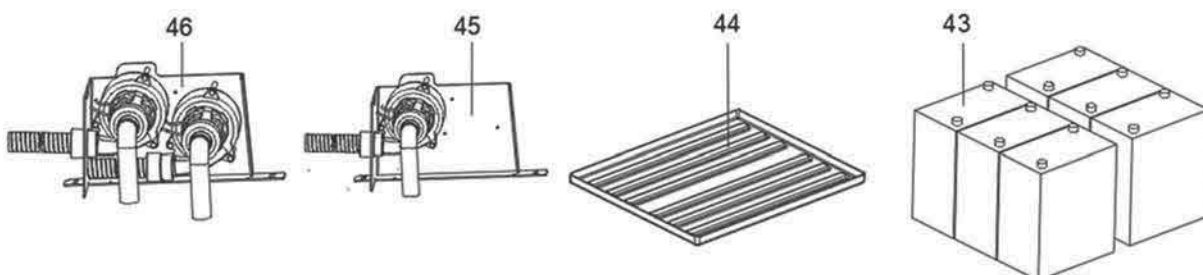


Figure 2



PANNEAU DE COMMANDE (comme illustré)

47. Affichage multifonction

Éléments affichés :

- A) Type de batterie
- B) Niveau de charge de la batterie
- C) Heures de fonctionnement
- D) Mode ECO
- E) Mode d'aspiration normal
- F) Mode d'aspiration silencieux
- G) Mode de marche arrière
- H) Forte pression active
- I) Quantité écoulee de solution détergente
- J) Mode de travail de brosse
- K) Mode d'aspiration
- L) Interrupteur de sécurité du siège éteint

48. Voyant réservoir de récupération plein/réservoir de solution vide

49. Bouton de réglage de la vitesse

50. Bouton de réglage du débit de solution

51. Bouton unique de démarrage

- LED allumée-fonction supérieure activée
- système d'eau (niveau 2)
- pression au minimum (niveau 1)
- système d'aspiration normal

52. Bouton marche avant/marche arrière

53. Clé de contact (0= MARCHÉ I=ARRÊT)

54. Bouton de réglage du système d'aspiration (appuyez sur le bouton 1 seconde pour l'activer)

- LED allumée fixe - Mode normal
- LED clignotante - Mode silencieux

55. Bouton de mode ECO

- LED allumée-fonction supérieure activée
- débit d'eau au minimum (niveau 1)
- pression au minimum (niveau 1)
- aspiration en mode silencieux

56. Clic marche/arrêt de la tête de lavage

- LED clignotant - clic marche activé

57. Boutons de réglage de pression de brosse

58. Bouton du klaxon

59. Bouton de feux avant

60. Couvercle de la fiche du chargeur

61. Limiteurs de surcharge du moteur de la brosse (30A)

62. Limiteur de surcharge du releveur de brosse (3A)

63. Fiche du chargeur

64. Limiteur de surcharge du circuit de commande principal (5A)

65. Limiteur de surcharge du(des) moteur(s) d'aspiration (30A)

66. Limiteur de surcharge du releveur de raclette (3A)

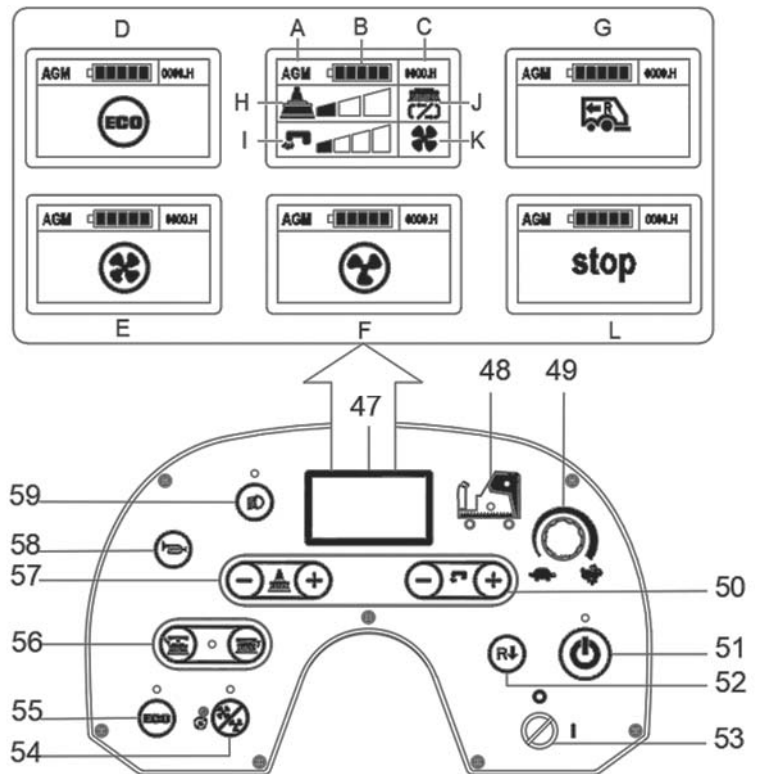


Figure 3

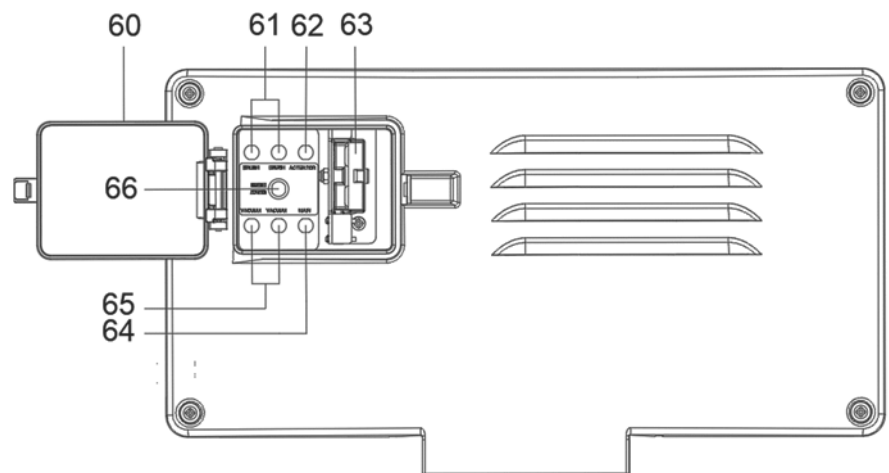
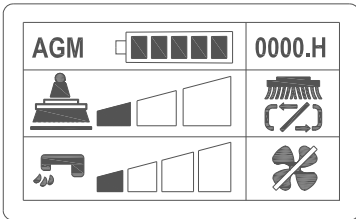
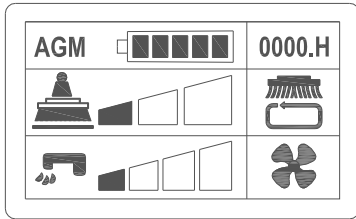
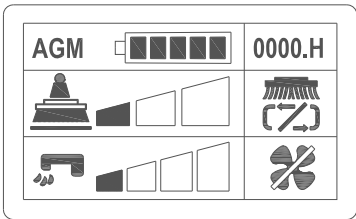
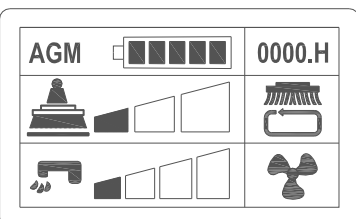
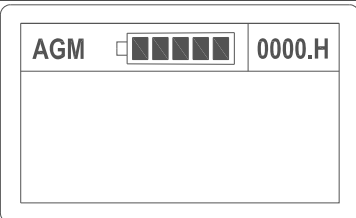

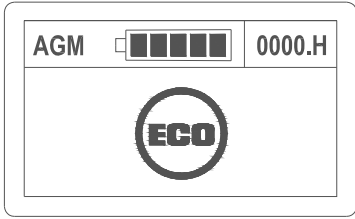
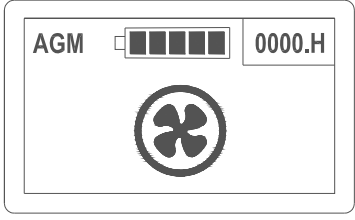
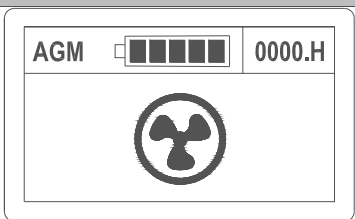
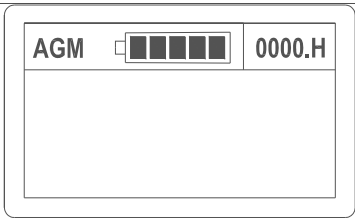
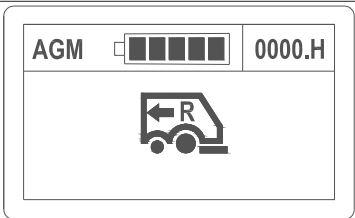
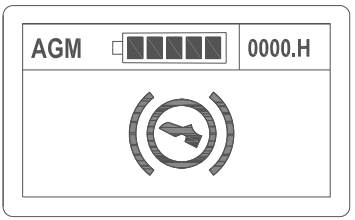


Figure 4

DESCRIPTION DU MODE DE TRAVAIL

QUE FAIRE	AFFICHEUR	DESCRIPTION
Mode normal		
<ul style="list-style-type: none"> - Clef de contact (53) allumée - Bouton unique de démarrage (51) allumé - Commutateur de sécurité du siège (2) activé 		<ol style="list-style-type: none"> 1. Le point du compteur horaire ne clignote pas. 2. La flèche de la brosse ne tourne pas 3. L'aspiration ne clignote pas. 4. L'eau du robinet ne clignote pas. 5. Le vérin se met au premier niveau de pression de brosse.
<ul style="list-style-type: none"> - Clef de contact (53) allumée - Bouton unique de démarrage (51) allumé - Commutateur de sécurité du siège (2) activé - Pédale d'accélérateur (32) enfoncée 		<ol style="list-style-type: none"> 1. Le point du compteur horaire clignote. 2. La flèche de la brosse tourne. 3. L'aspiration clignote. (Quatre hélices) 4. L'eau du robinet clignote.
Mode silencieux		
<ul style="list-style-type: none"> - Clef de contact (53) allumée - Bouton unique de démarrage (51) allumé - Commutateur de sécurité du siège (2) activé 		<ol style="list-style-type: none"> 1. Le point du compteur horaire ne clignote pas. 2. La flèche de la brosse ne tourne pas 3. L'aspiration ne clignote pas. 4. L'eau du robinet ne clignote pas.
<ul style="list-style-type: none"> - Clef de contact (53) allumée - Bouton unique de démarrage (51) allumé - Appuyer sur le bouton de réglage du système d'aspiration (54) pendant 1 seconde - Commutateur de sécurité du siège (2) activé - Pédale d'accélérateur (32) enfoncée 		<ol style="list-style-type: none"> 1. Le point du compteur horaire clignote. 2. La flèche de la brosse tourne. 3. L'aspiration clignote. (Trois hélices) 4. L'eau du robinet clignote.
Mode éteint		
<ul style="list-style-type: none"> - Commutateur de sécurité du siège (2) éteint - Bouton unique de démarrage (51) éteint - Clef de contact (53) allumée 		<ol style="list-style-type: none"> 1. Le point du compteur horaire ne clignote pas. 2. Aucune indication sur le panneau (Le moteur d'aspiration attend 12 secondes pour s'arrêter). 3. L'unité de brosse se place en position la plus haute. 4. Le signe « STOP » alterne avec l'écran.
<ul style="list-style-type: none"> - Touche (53) éteinte - Ou bouton d'urgence (29) activé, il n'y aura pas d'affichage 		<ol style="list-style-type: none"> 1. Coupure de courant. 2. L'afficheur est éteint. <p>Remarque : Après avoir coupé le bouton unique de démarrage (51), attendre jusqu'à ce que l'unité de brosse se soulève en position supérieure, avant de tourner la clef (53).</p>

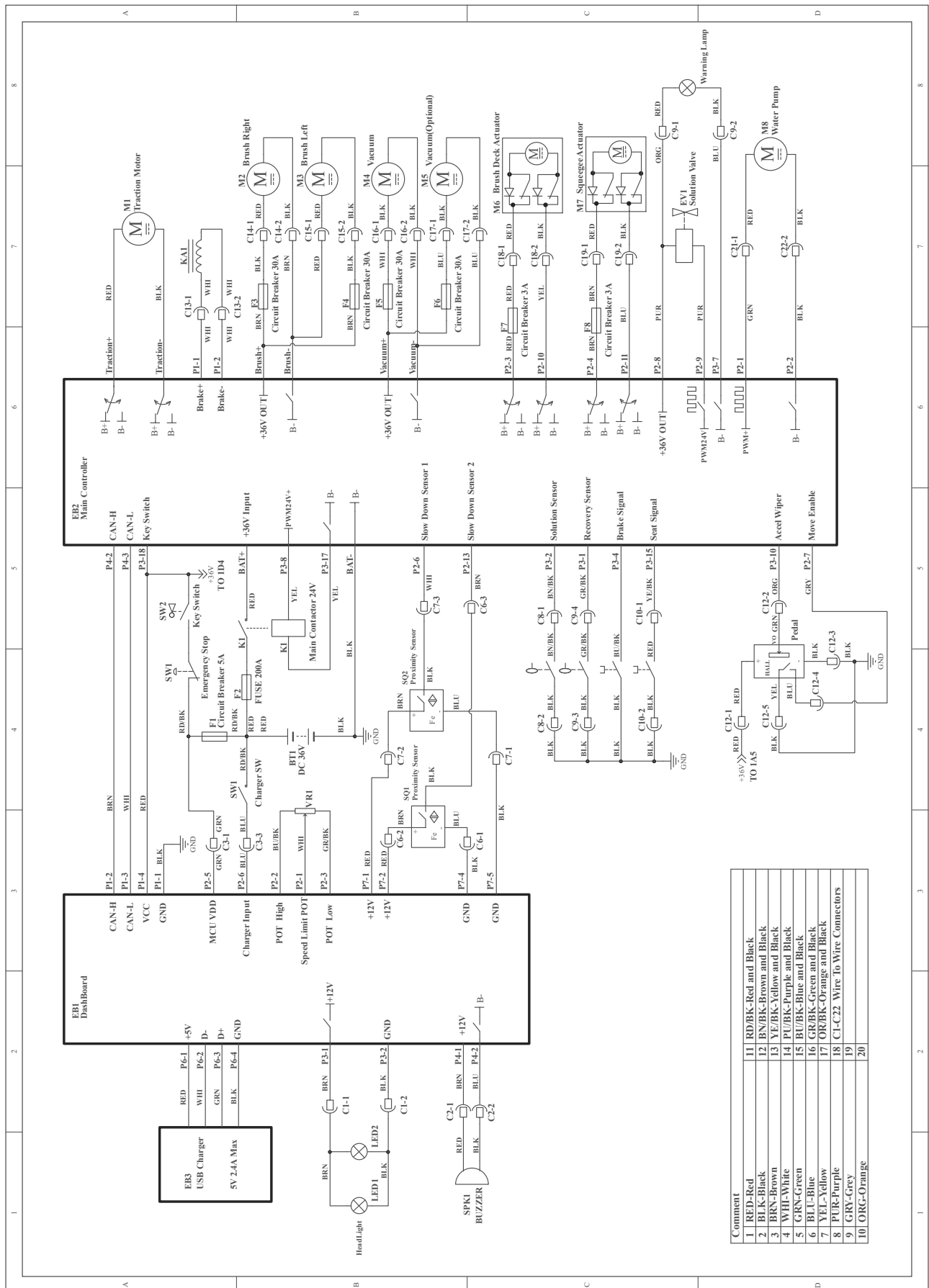
QUE FAIRE	AFFICHEUR	DESCRIPTION
Mode ECO		
<ul style="list-style-type: none"> - Clef de contact (53) allumée - Bouton unique de démarrage (51) allumé - Bouton ECO (55) allumé 		<ol style="list-style-type: none"> 1. Débit d'eau au minimum (niveau 1). 2. Pression au minimum (niveau 1). 3. L'aspiration est en mode silencieux. <p>Remarque : Activer le bouton unique de démarrage (51), avant d'allumer le bouton ECO (55).</p>
Mode du système d'aspiration (presser le bouton pendant 1 seconde pour activer)		
Mode normal		
<ul style="list-style-type: none"> - Commutateur de sécurité du siège (2) activé - Clef de contact (53) allumée - Bouton unique de démarrage (51) éteint - Appuyer sur le bouton de réglage du système d'aspiration (54) 		L'aspiration clignote (quatre hélices)
Mode silencieux		
<ul style="list-style-type: none"> - Commutateur de sécurité du siège (2) activé - Clef de contact (53) allumée - Bouton unique de démarrage (51) éteint - Presser le bouton de réglage du système d'aspiration (54) pendant 1 seconde 		L'aspiration clignote (quatre hélices)
<ul style="list-style-type: none"> - Commutateur de sécurité du siège (2) activé - Bouton de réglage du système d'aspiration (50) éteint 		PAS d'aspiration Remarque : Lorsque le bouton de réglage du système d'aspiration est éteint, le moteur d'aspiration s'arrête immédiatement.
Mode de marche arrière		
<ul style="list-style-type: none"> - Commutateur de sécurité du siège (2) activé - Bouton marche avant/marche arrière (52) activé 		<ol style="list-style-type: none"> 1. Le point du compteur horaire clignote. 2. La raclette se lèvera si elle est en mode de travail.
Mode frein mécanique		
<ul style="list-style-type: none"> - Commutateur de sécurité du siège (2) activé - Appuyer sur la pédale de frein mécanique (25) 		Arrêt de la machine. Les autres fonctions persistent.

CARACTERISTIQUES TECHNIQUES

Type de paramètre	AS1050R
Tension	36 V
Puissance nominale (ENTRÉE)	125A/4500W
Indice de protection IP	IP24
Capacité du réservoir de solution	200L / 53 Gal.
Capacité du réservoir de récupération	200L / 53 Gal.
Largeur de lavage	980mm/35,58 pouces
Diamètre de la brosse/disque	508 mm x 2/ 20 pouces x 2
Pression de la brosse/disque (max)	90 Kg / 198 Lbs.
Puissance du moteur de la brosse (ENTRÉE)	2 X 1000 Watt / 2 X 1,3 CV
Vitesse de brosse en mode normal	240 tr/min
Vitesse de brosse en mode ECO	175 tr/min
Débit de solution (max) par paramétrage/minute	(1,6/2,3/3,3/4,6) Litres / 0,42/0,61/0,87/1,22Gal
Niveau de pression acoustique (un moteur d'aspiration)	72 ± 3 dB (A)
Niveau de pression acoustique (deux moteurs d'aspiration) (*)	75 ± 3 dB (A)
Niveau de pression acoustique en mode ECO ou en mode silencieux	69 ± 3 dB (A)
Puissance du moteur d'aspiration	600 W / 0,8 CV
USB de charge	5 V 2,4 A MAX.
Productivité (max)	7840 m ² /h/84389 pi ² /h
Vitesse de travail	0 – 8 km / 0 – 5 milles à l'heure
Vitesse d'avancement	0 – 8 km / 0 – 5 milles à l'heure
Vitesse de marche arrière	0 – 5 km / 0 – 3,1 milles à l'heure
Puissance du moteur d'entraînement (ENTRÉE)	1600 W / 2,1 CV
Braquage min	2650mm/104 pouces
Pente admissible (max) pour transport	20%
Pente admissible (max) pour travail	16%
Diamètre des roues motrices	340mm/13,4 pouces
Pression spécifique des roues motrices sur le sol	0,68 N/mm ²
Diamètre des roues avant	250 mm/10 pouces
Pression spécifique des roues avant sur le sol	0,62 N/mm ²
Niveau de vibration de la poignée (max)	< 2,5 m/s ²
Dimensions du compartiment de la batterie sans support (L x l x H)	(680x560x450) mm / 26,7 x 22 x 17,7 po
Dimensions du compartiment de la batterie avec support (L x l x h)(*)	(665x550x430) mm / 26,1 x 21,6 x 16,9 po
Longueur de la machine sans pare-chocs avant	1875mm/73,8 pouces
Largeur de la machine sans raclette	1077mm/42,4 pouces
Hauteur de la machine	1350 mm/53 pouces
Poids de la machine avec des réservoirs vides (sans batteries)	398 Kg / 853,6 Lbs.
Masse totale en charge (MTC)	870 Kg / 1914 Lbs.
Poids d'expédition	490 Kg / 1078 Lbs.
Dimensions de l'emballage (L x l x h)	(2110 x 1220 x 1535 mm) / (83x 48 x 60,4 po)

(*) : Options

SCHEMA DE CÂBLAGE



GUIDE D'UTILISATION

**AVERTISSEMENT !**

En certains endroits de la machine il y a des plaques adhésives indiquant :

- DANGER !
- AVERTISSEMENT !
- ATTENTION !
- CONSULTATION

En lisant ce manuel, l'opérateur doit prêter une attention particulière aux symboles figurant sur les plaques. Ne pas couvrir ces plaques, quel que en soit la raison, et les remplacer immédiatement en cas de détérioration.

VÉRIFICATION/RÉGLAGE DE LA BATTERIE SUR UNE NOUVELLE MACHINE

**AVERTISSEMENT !**

Les composants électriques de la machine peuvent être sérieusement endommagés si les batteries sont mal installées ou mal connectées. Les batteries doivent être uniquement installées par un personnel qualifié. Définir le type de batterie selon la procédure ci-dessous en fonction du type de batteries utilisé (batteries à LIQUIDE ou GEL/AGM/DIS/ENE). Vérifier si les batteries sont endommagées avant de les installer. Déconnecter le connecteur de la batterie et la fiche du chargeur de batterie. Manipuler les batteries avec grande précaution. Installer les bouchons de protection des bornes de la batterie fournis avec la machine.

**REMARQUE**

La machine nécessite six batteries de 6 V, connectées et installées dans les positions illustrées à la Figure 5.

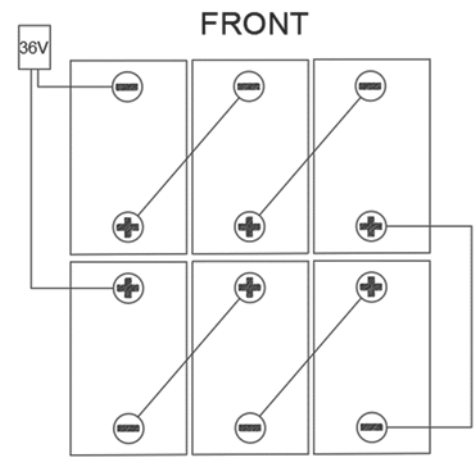


Figure 5

Batteries déjà installées dans la machine

1. Vérifier que le connecteur de batterie est connecté.
2. À la première utilisation de la machine avec des batteries neuves, effectuer un cycle de charge complet (voir la procédure au chapitre Entretien).

Sans batterie

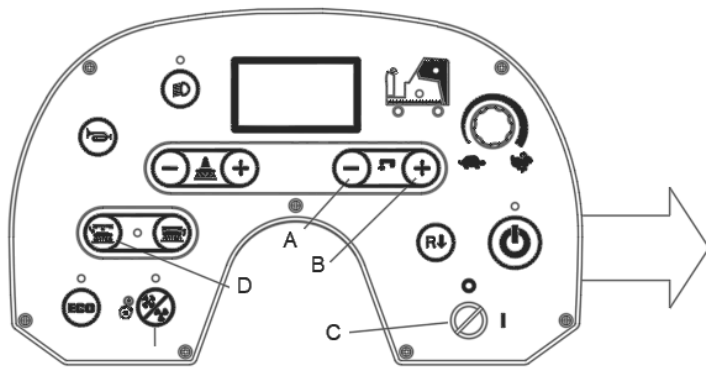
1. Acheter des batteries adaptées (voir le paragraphe « Données Techniques »). Pour le choix et l'installation des batteries, s'adresser à des revendeurs de batteries qualifiés.
2. Définir le paramétrage du type de batterie à l'aide de la procédure ci-dessous.

INSTALLATION DES BATTERIES ET RÉGLAGE DU TYPE DE BATTERIE (LIQUIDE/ GEL/AGM/DIS/ENE)**Installation de la batterie**

1. Ouvrir les loquets gauche et droit (7 Figure1).
2. Ouvrir le couvercle du réservoir de récupération (5 Figure1) et vérifier si le réservoir de récupération (8 Figure1) est vide ; sinon, le vider avec le tuyau de vidange (38 Figure2).
3. Fermer le couvercle du réservoir de récupération (5 Figure1).
4. Soulever le réservoir de récupération (8 Figure1) avec précaution.
5. Débrancher le câble du réservoir de récupération et retirer l'ensemble du réservoir de récupération.
6. Retirer les quatre vis du réservoir de récupération au bas de celui-ci.
La machine est fournie avec des câbles adaptés à l'installation de 6 batteries 6 V. Mettre soigneusement les batteries dans le compartiment, puis les installer correctement comme indiqué à la Figure 5. Mettre correctement la plaque fixe de la batterie.
7. Retirer une vis du câble de support du réservoir de récupération (31 Figure2) et le ramener en arrière.
8. Acheminer et installer le câble de la batterie comme indiqué dans la Figure 5, puis serrer soigneusement l'écrou sur chaque borne de la batterie.
9. Placer le bouchon de protection sur chaque borne, puis connecter le connecteur de la batterie machine
10. Monter l'ensemble du réservoir de récupération dans l'ordre inverse du démontage.
11. Abaisser avec précaution le réservoir de récupération.

Réglage du type de batterie (LIQUIDE/GEL/AGM/DIS/ENE) Accès pour sélectionner le mode de batterie

Selon le type de batteries (LIQUIDE/ GEL/AGM/DIS/ENE), régler la machine comme suit :



Access to select battery mode

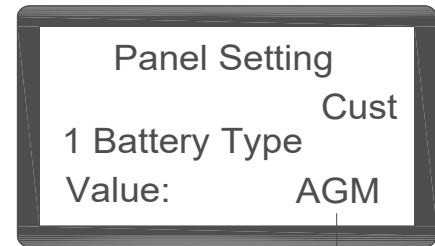


Figure 6

1. Appuyer simultanément sur le bouton d'écoulement d'eau « - »(A, Figure 6) et « + »(B, Figure 6).
2. Insérer la clé de contact (C, Figure 6) et la tourner sur « I ».
3. Après plusieurs secondes, entrer dans l'écran de sélection du mode de batterie (Figure 6).
4. Appuyer sur le bouton d'écoulement d'eau « - » (A, Figure 6) et « + » (B, Figure 6) pour sélectionner le mode batterie (H, Figure 6).
5. Appuyer sur le bouton de déblocage (D, Figure 6), 3 secondes plus tard, « Mise à jour OK » s'affiche ce qui signifie que le réglage est réussi. Redémarrer la machine. (C, Figure 6).

Chargement des batteries

Charger totalement les batteries (voir la procédure au chapitre d'entretien).

Déchargement des batteries

Lorsque la barre indicatrice des batteries est pleine (G, Figure 7), celles-ci sont entièrement chargées. Lorsque la barre indicatrice des batteries est faible (H, Figure 7), celles-ci doivent être chargées. Quelques secondes après l'affichage de l'indication de batterie faible, les moteurs de la brosse sont automatiquement coupés, tandis que le système de traction reste en marche. Conduire immédiatement la machine jusqu'à l'emplacement de recharge G indiqué.

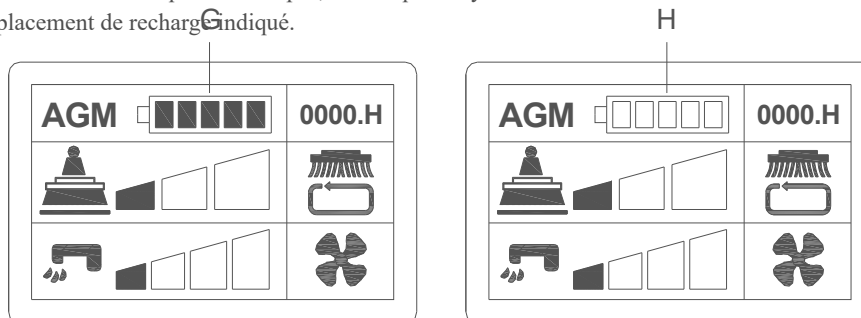


Figure 7

INSTALLATION ET RETRAIT DE LA TÊTE DE LAVAGE



REMARQUE

Installer soit la brosse (A, Figure 8) soit le support de disque (B et C, Figure 8) selon le type de sol à nettoyer.



ATTENTION !

Avant l'installation ou le retrait de la brosse ou du support de disque, s'assurer que tous les interrupteurs de la machine sont en position d'arrêt et que la raclette est soulevée du sol. L'opérateur doit être doté de dispositifs de protection personnels appropriés tels que des gants, afin de réduire le risque d'accidents.

Procéder comme suit :**POSE :**

1. Insérer la clé de contact (53, Figure 3) et la tourner sur « I ». Soulever le plateau.
2. Placer les brosses (A, Figure 8) ou les supports de disque (B Figure8) sous le plateau. Utiliser la butée d'installation de la brosse (D, Figure8) pour faciliter la recherche de la bonne position de la brosse/du support de disque.
3. Installer la brosse/le support de disque, en appuyant sur le bouton à clic de la brosse/du support de disque (F, Figure 8) ; la brosse/le support de disque sera automatiquement installé. Le sens de rotation est indiqué (Figure 8). Le voyant LED clignotera.

DÉPOSE

2. Insérer la clé de contact (53, Figure 3) et la tourner sur « I ».. S'assurer que la brosse/le support de disque est en position haute (HAUT). Retirer la brosse/le support de disque, en appuyant sur le bouton de déblocage de la brosse/du support de disque (E, Figure 8) ; la brosse/le support de disque sera automatiquement déblocqué. Le voyant LED sera fixe.

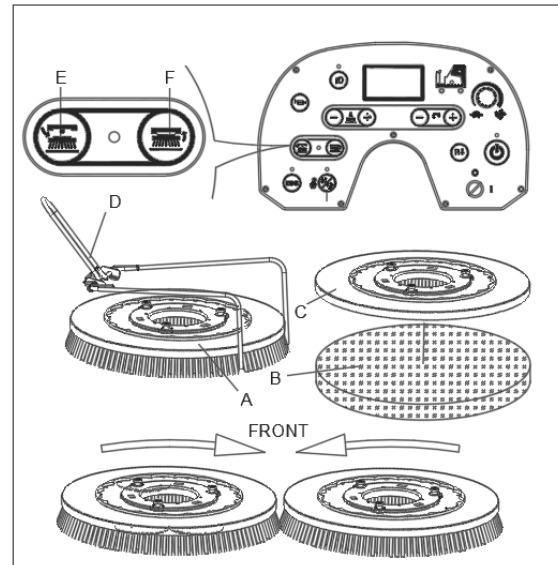


Figure 8

RÉGLAGE DE L'ÉQUILIBRE DES BAVETTES ANTI-PROJECTION LATÉRALES

La hauteur des bavettes anti-projection doit être surveillée et ajustée. Lors du nettoyage avec la machine, vérifier les performances des bavettes anti-projection latérales.

- A. Si les bavettes anti-projection sont trop hautes, l'espace entre la bavette (D) et le sol laissera de l'eau sur le sol dans les virages.
- B. Si les bavettes sont trop basses, la bavette (D) déviara trop loin, laissant de l'eau dans les virages et réduisant ainsi la durée de vie de la bavette.
- C. Pour un réglage approprié, les bavettes anti-projection doivent toucher légèrement le sol de l'avant à l'arrière de la bavette.

Procédure de réglage :

1. S'assurer que le plateau est en position haute.
2. Desserrer les écrous de retenue supérieurs (A) et retirer l'ensemble de raclette anti-projection.
3. Ajuster les écrous de retenue inférieurs (B) vers le haut/bas.
4. Remettre en place l'ensemble de raclette anti-projection et vérifier le réglage.
5. Répéter les étapes 3. et 4. si nécessaire jusqu'à ce que le réglage de la bavette anti-projection soit correct.
6. Serrer les écrous de retenue supérieurs (A) pour sécuriser le réglage.
7. Répéter la procédure de l'autre côté de la bavette.

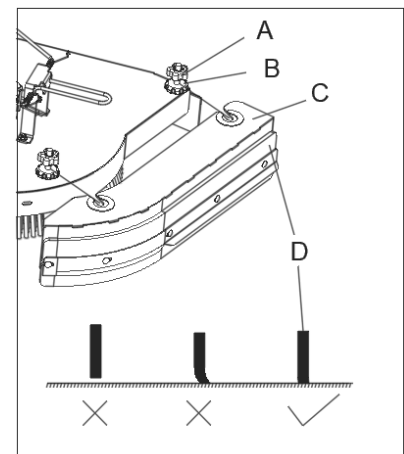


Figure 9

AJUSTEMENT DE L'ÉQUILIBRE DE L'EMBOUCHURE

1. Installer la raclette et serrer les écrous (C, Figure 10), puis raccorder le tuyau d'aspiration (B) à la raclette.
2. Régler la raclette par la molette de réglage de la raclette (A).
 - a) En cas d'écart entre le sol et la section centrale de la lame de raclette arrière (E), régler la molette (A) dans le sens des aiguilles d'une montre (H) jusqu'à ce que toutes les sections de la lame de raclette arrière soient en contact avec le sol et que la lame avant touche à peine le sol.
 - c) En cas d'écart entre le sol et les deux sections finales de la lame de raclette arrière (D et F), régler la molette (A) dans le sens contraire des aiguilles d'une montre (G) jusqu'à ce que toutes les sections de la lame de raclette arrière soient en contact avec le sol et que la lame avant touche à peine le sol.

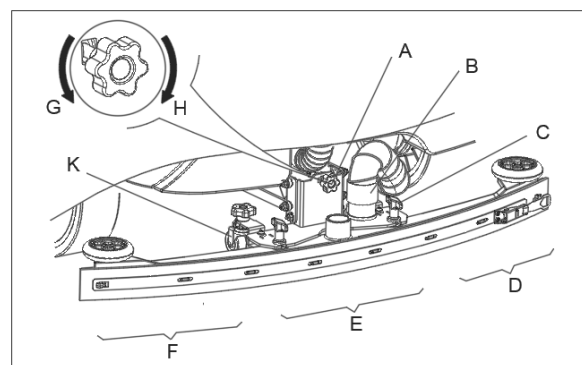


Figure 10

Si nécessaire, régler toute la hauteur de la raclette en ajustant la hauteur de la roue à pivot (K).

REPLISSAGE DU RÉSERVOIR DE SOLUTION

1. Ouvrir le couvercle d'entrée d'eau (A, Figure 11).
2. Remplir d'eau ou de solution adaptée aux performances par l'entrée d'eau avec filtre.
La température de la solution ne doit pas dépasser +104F (+40°C).
3. Ne pas trop remplir le réservoir, se reporter à l'indicateur de niveau d'eau (D) pour le volume d'eau.



AVERTISSEMENT !

Utiliser uniquement des détergents peu moussants et non-inflammables, qui sont destinés à des applications de nettoyage en autolaveuse.

INSPECTION DU MOTEUR D'ENTRAÎNEMENT ET DU FREIN MÉCANIQUE

1. Tourner la clé de contact (A, Figure 12) sur « I », s'asseoir sur le siège (C).
2. Appuyer légèrement sur la pédale d'accélération (D), puis la relâcher afin de vérifier si la machine peut être dirigée vers l'avant et arrêtée.
3. Aux fins de sécurité, confirmer si la machine peut être arrêtée immédiatement en appuyant sur le bouton d'urgence (B). Tourner le bouton d'urgence pour le réinitialiser.
4. Appuyer rapidement sur la pédale de frein mécanique (F) pour vérifier si la machine peut être arrêtée immédiatement.



AVERTISSEMENT !

La pente admissible durant les opérations ne doit pas dépasser 16%. Lors du travail en pente, les loquets du réservoir (7, Figure 1) doivent être enclenchés. Par mesure de sécurité, ne jamais s'arrêter en pente.



MISE EN GARDE

Le frein du moteur d'entraînement est débloqué lorsque le moteur fonctionne normalement, il se verrouille lorsque le moteur s'arrête. Dans certains cas particuliers, tels que l'emballage/déballage de la machine, une panne de la machine, etc., la machine peut avoir besoin d'être poussée. Sur le moteur d'entraînement (G, Figure 12) pousser vers le bas la poignée de frein (H, Figure 12) ; le frein de la machine est alors relâché et la machine peut être déplacée. Une fois terminé, tirer la poignée vers le haut pour que la machine puisse fonctionner.

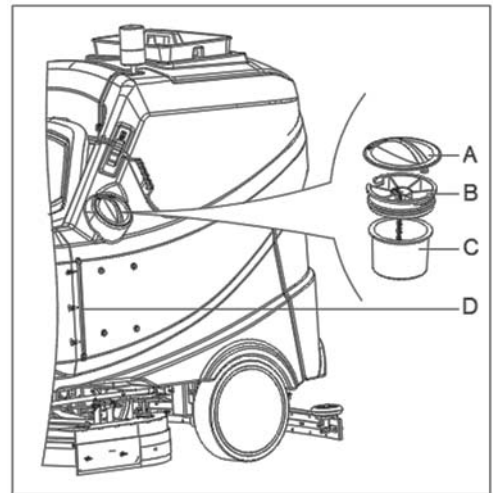


Figure 11

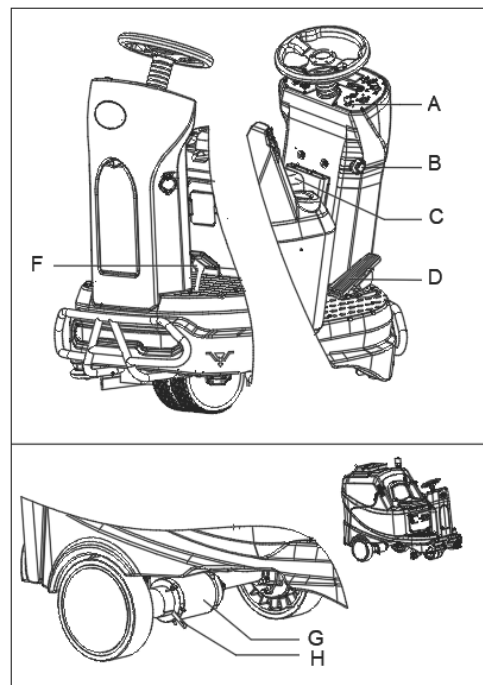


Figure 12

DÉMARRAGE/ARRÊT DE LA MACHINE

Démarrer la machine

1. Préparer la machine comme indiqué dans le paragraphe précédent.
2. S'asseoir sur le siège (K Figure13), insérer la clé de contact (J Figure13) et la tourner sur « I ». Contrôler l'état des batteries à l'écran. Au besoin, charger les batteries (voir la procédure au chapitre Entretien).
3. Conduire la machine jusqu'à la zone de travail.

Le sens avant/arrière peut être commandé avec le commutateur (H Figure13). La vitesse peut être réglée avec le dispositif de réglage (E Figure13).

4. Appuyer sur le bouton unique de démarrage (G, Figure13) pour démarrer la machine, la raclette et les brosses sont abaissées automatiquement jusqu'au sol et le moteur d'aspiration commence à fonctionner.
5. Presser les boutons de commande du débit de solution (F Figure13), si nécessaire, en fonction du type de nettoyage à effectuer.
6. Appuyer sur la pédale d'accélérateur (Q Figure13) et commencer le nettoyage.
7. Vous pouvez recharger votre téléphone ou tablette via le port de charge USB (M Figure13) lorsque la clé de contact (J Figure13) est tournée sur « I ».
8. Appuyer sur le bouton du klaxon (B Figure13) pour avertir les gens en cas de besoin.

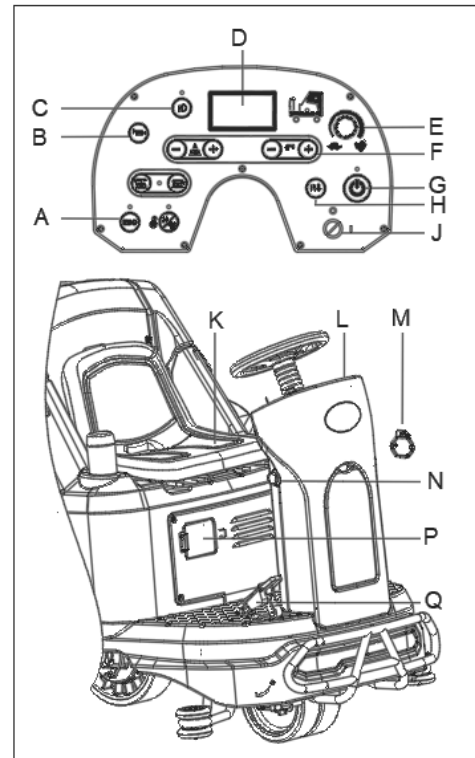
9. Si nécessaire, appuyer sur le bouton d'urgence (N Figure13) pour l'arrêt d'urgence de la machine.
10. Si nécessaire, appuyer sur le bouton des feux avant (C Figure13) pour les zones sombres ou pour avertir les piétons.
11. Si nécessaire, régler le siège (K Figure13) en tournant la poignée à droite du siège, puis glisser le siège dans la bonne position.

**REMARQUE**

Le moteur de la brosse, le moteur d'aspiration, le moteur d'entraînement et le circuit de commande sont protégés par un limiteur de surcharge (P Figure13). Lorsqu'un limiteur de surcharge se déclenche, ne pas le réinitialiser immédiatement sans en connaître la cause profonde et s'assurer que le moteur a refroidi avant de le réinitialiser.

Arrêter la machine

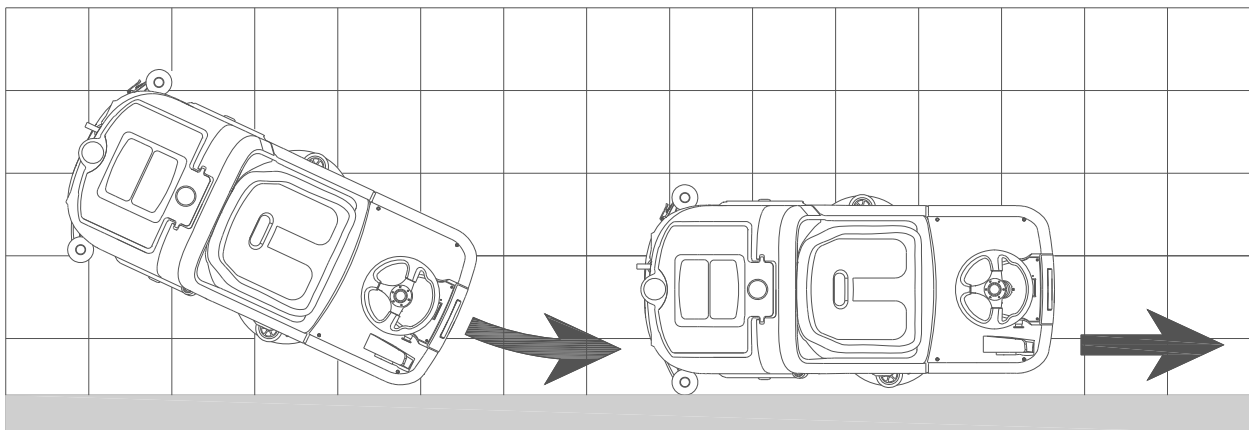
12. Relâcher la pédale d'accélérateur (Q Figure13), la machine s'arrête de fonctionner.
13. Appuyer sur le bouton unique de démarrage (G Figure13) pour arrêter les brosses et le moteur d'aspiration. Les brosses et la raclette sont automatiquement soulevées du sol. Le système d'aspiration se coupe au bout de quelques secondes.
14. Tourner la clé de contact sur « 0 ».
15. S'assurer la machine ne peut pas bouger de façon indépendante.

**Figure 13****FONCTIONNEMENT DE LA MACHINE (BROSSAGE ET SÉCHAGE)**

1. Démarrer la machine selon les procédures prévues aux paragraphes précédents.
2. Commencer le nettoyage en suivant les procédures dans la section « Démarrage de la machine ».
3. Si nécessaire, arrêter la machine pour régler les bavettes anti-projection latérales selon la section « Réglage de l'équilibre des bavettes anti-projection latérales ».
4. Si nécessaire, arrêter la machine pour régler la raclette selon la section « Réglage de l'équilibre de la raclette ».

**REMARQUE**

Pour un lavage/séchage corrects des sols au niveau des plinthes, il est suggéré de s'approcher au plus près des murs avec le côté droit de la machine (Figure 14) comme sur la figure.

**Figure 14**

VIDANGE DU RÉSERVOIR

Vidange du réservoir d'eau de récupération

Lorsque l'écran multifonction (47, Figure 3) affiche ERREUR24 et que le voyant de réservoir de récupération plein (48, Figure 3) est allumé, le réservoir de récupération (C, Figure 15) est plein et le moteur d'aspiration ne peut plus sécher le sol. Vider le réservoir de récupération comme suit :

1. Arrêter la machine.
2. Soulever le plateau de brosse/support de disque en pressant le bouton unique de démarrage (51, Figure 3).
3. Conduire la machine jusqu'à la zone d'élimination désignée.
4. Vider le réservoir d'eau de récupération à l'aide du flexible (D, Figure 15). Ensuite, rincer le réservoir (C, Figure 15) à l'eau claire.



ATTENTION !

Lors de la vidange des eaux usées, maintenir le tuyau de vidange haut et le replier sur la section supérieure pour éviter de les répandre sur l'opérateur.

Vidange du réservoir de solution/d'eau propre

1. Vider le réservoir de solution par le bouchon de vidange (A, Figure 15). Après avoir travaillé, rincer le réservoir avec de l'eau propre.

APRÈS UTILISATION DE LA MACHINE

Après utilisation, avant de ranger la machine :

1. Enlever les brosses/supports de disque en pressant le gauche bouton de déblocage (56, Figure 3) et les nettoyer.
2. Vider les réservoirs (B et C, Figure 15), comme indiqué dans le paragraphe précédent.
3. Effectuer les procédures d'entretien quotidien (voir le chapitre Entretien).
4. Ranger la machine dans un endroit propre et sec, avec les brosses/supports de disque et la raclette soulevés ou retirés.
5. Utiliser le support du couvercle du réservoir de récupération pour maintenir le couvercle ouvert. Cela empêchera les odeurs de s'accumuler à l'intérieur.

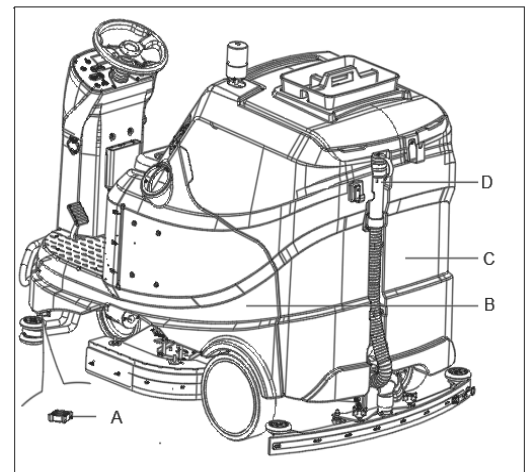


Figure 15

STOCKAGE DE MACHINE PENDANT UNE LONGUE INACTIVITÉ

Si la machine n'est pas utilisée pendant plus de 30 jours, procéder comme suit :

1. Effectuer les procédures indiquées dans le paragraphe « Après utilisation de la machine ».
2. Débrancher le connecteur de la batterie.

PREMIÈRE PÉRIODE D'UTILISATION

Après les 8 premières heures, vérifier le serrage de la machine et les pièces de liaison pour un serrage correct et vérifier les pièces visibles pour l'usure et les fuites.

ENTRETIEN

**AVERTISSEMENT !**

Les procédures d'entretien doivent être effectuées après que la machine ait été éteinte et le câble du chargeur de batterie ait été débranché. En outre, lire attentivement les chapitres sur la sécurité contenus dans ces instructions.

Toutes les procédures de maintenance programmées ou extraordinaires doivent être effectuées par un personnel qualifié ou un centre d'entretien agréé. Ce manuel ne décrit que les procédures d'entretien générales et communes.

Pour d'autres procédures d'entretien qui ne figurent pas dans le tableau ci-dessous, merci de contacter notre service d'assistance technique.

CALENDRIER D'ENTRETIEN PROGRAMMÉ

**ATTENTION !**

La procédure, indiquée avec (1), doit être effectuée lorsque la machine est utilisée après 8 heures pour la première fois. La procédure, indiquée avec (2) doit être effectuée par un centre d'entretien agréé par notre société.

Procédure	Quotidien, après chaque utilisation	Chaque semaine	Semestriellement	Chaque année
Chargement des batteries				
Nettoyage de la raclette				
Nettoyage de la brosse/du support de disque				
Nettoyage du réservoir				
Inspection du joint d'étanchéité du réservoir				
Nettoyage du boîtier de collecte des débris				
Nettoyage de la brosse/du disque				
Bavette anti-projection				
Vérification et remplacement des lames de raclette				
Nettoyage du filtre de solution				
Nettoyage du filtre d'aspiration				
Vérification du niveau de liquide de la batterie À LIQUIDE				
Inspection du serrage des vis et écrous			(1)	
Ajouter de l'huile de graissage aux pièces rotatives (comme l'huile de frein)			(1)	
Vérification ou remplacement des balais en carbone du moteur de brosse				(2)
Vérification ou remplacement des balais en carbone du moteur d'aspiration				(2)
Vérification ou remplacement des balais en carbone du moteur d'entraînement				(2)

CHARGEMENT DE LA BATTERIE

**REMARQUE**

Charger les batteries lorsque la batterie s'épuise.

**ATTENTION !**

Conserver des batteries chargées allonge leur durée de vie.

**ATTENTION !**

Lorsque les batteries sont déchargées, les charger dès que possible, puisque cette situation raccourcit leur durée de vie. Contrôler la charge des batteries au moins une fois par semaine.

**AVERTISSEMENT !**

Le chargement de batterie à liquide (avec entretien) produit des gaz d'hydrogène hautement explosifs. Charger les batteries dans des zones bien ventilées et à l'écart des flammes nues. Ne pas fumer pendant le chargement des batteries. Laisser le réservoir ouvert pendant le chargement des batteries.

**AVERTISSEMENT !**

Faire bien attention lors du chargement des batteries car il peut y avoir des fuites de liquides de batterie. Le liquide de batterie est corrosif. S'il entre contact avec la peau ou pénètre dans les yeux, rincer abondamment à l'eau et consulter un médecin.

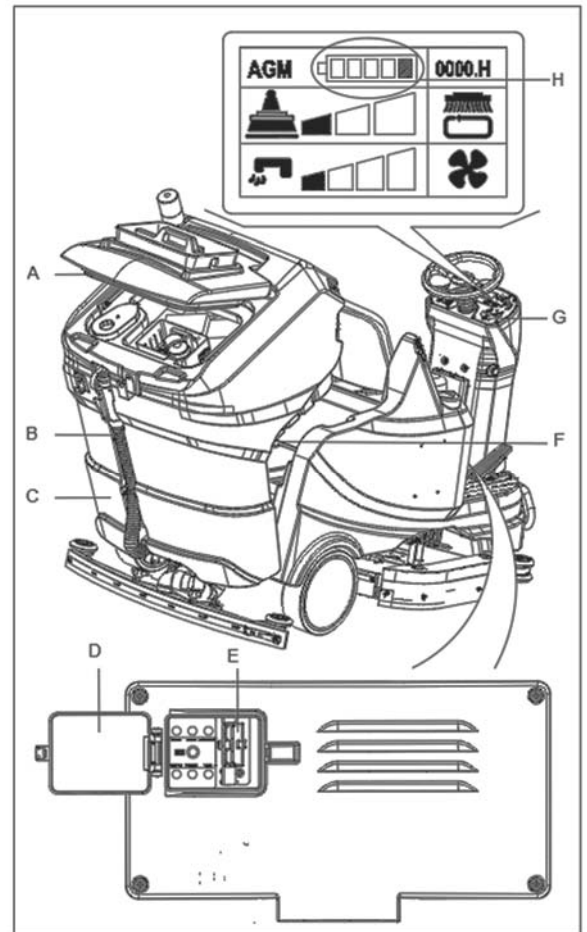


Figure 16

Procédures préliminaires

1. Ouvrir le couvercle (A, Figure 16) et vérifier si le réservoir d'eau de récupération (C, Figure 16) est vide ; sinon, le vider avec le tuyau de vidange (B, Figure 16).
2. Conduire la machine dans le local de charge désigné.
3. Tourner la clé de contact (G, Figure 16) sur « 0 ».
4. Charger les batteries selon la procédure suivante.

Chargement de batterie (machine avec chargeur non-embarqué/externe).

5. Ouvrir le couvercle de protection (D, Figure 16). Brancher le connecteur du chargeur de batterie au connecteur de la machine (E, Figure 16). Lorsque le chargeur de batterie est branché, toutes les fonctions de la machine sont automatiquement coupées.
6. Brancher le chargeur de batterie dans la prise murale.
7. Lorsque le chargement de la batterie est terminé, débrancher le chargeur de la prise murale, puis débrancher le câble du chargeur de batterie de la machine.
8. Les niveaux d'électrolyte doivent être contrôlés une fois que les batteries sont chargées.
9. Insérer la clé de contact (G, Figure 16) et la tourner sur « I ». Contrôler l'état des batteries à l'écran d'affichage multifonction (H, Figure 16).

NETTOYAGE DE LA BROSSE/DU DISQUE**ATTENTION !**

Il est conseillé de porter des gants de protection lors du nettoyage de la brosse/du disque, car il peut y avoir des débris pointus.

1. Retirer la brosse/le disque de la machine, tel qu'indiqué au chapitre Utilisation.
2. Nettoyer et laver la brosse/le disque avec de l'eau et du détergent.
3. Contrôler que les brosses/disques sont en bon état et pas trop usés ; le cas échéant, les remplacer.

NETTOYAGE DU FILTRE DE SOLUTION

1. Conduire la machine sur un sol plat.
2. Vérifier que la machine est éteinte et que la clé de contact (53, Figure 3) a été retirée.
3. Vider le réservoir de solution ou enlever le bouchon (24, Figure 1).
4. Retirer le couvercle du filtre (22, Figure 1), puis retirer le tamis du filtre. Nettoyer le tamis et le réinstaller sur la base du filtre.
5. Vérifier le joint torique du filtre. En cas de dommages, le remplacer.
6. Réinstaller le couvercle du filtre.

**REMARQUE**

Le tamis du filtre doit être bien placé sur le boîtier de la base du filtre.

NETTOYAGE DE L'EMBOUCHURE

1. Conduire la machine sur un sol plat.

**REMARQUE**

Les lames de raclette doivent être propres et en bon état afin d'obtenir un bon séchage.

**ATTENTION !**

Il est conseillé de porter des gants de protection lors du nettoyage de la raclette car il peut y avoir des débris pointus.

2. Tourner la clé de contact (53 Figure 3) sur « 0 ».
3. Desserrer les deux molettes (B, Figure 17) et retirer la raclette (A).
4. Déconnecter le tuyau d'aspiration (C) de la raclette.
5. Nettoyer le boîtier de la raclette en acier ou en aluminium (F, Figure 17). Nettoyer les compartiments (A) et en particulier l'orifice (G). Vérifier l'intégrité, la coupe et les déchirures des lames avant (D) et arrière (E) ; si nécessaire, les remplacer (voir la procédure au paragraphe suivant).
6. Assembler la raclette dans l'ordre inverse du démontage.

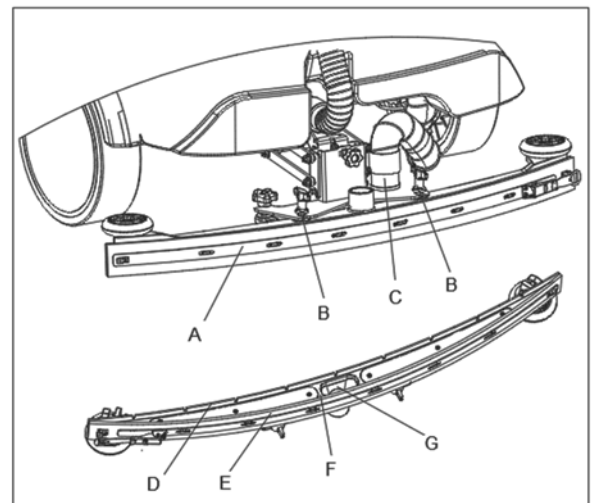


Figure 17

VÉRIFICATION ET REMPLACEMENT DES LAMES DE RACLETTE

1. Nettoyer la raclette en acier ou aluminium, tel qu'indiqué au paragraphe précédent.
2. Vérifier que les bords (E, Figure 18) de la lame avant (C) et les bords (F) de la lame arrière (D) sont bien au même niveau sur toute leur longueur ; si nécessaire, régler leur hauteur selon la procédure suivante :
 - Retirer la tige de traction (G), dégager les éléments de fixation (M) et régler la lame arrière (D), puis engager les fixations (M) et installer la tige de traction (G).
 - Desserrer les molettes (I) et régler la lame avant (C), puis serrer les molettes.

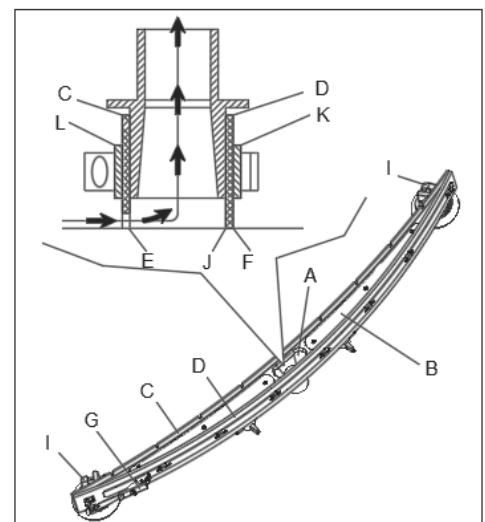


Figure 18

3. Vérifier l'usure de la lame avant (C) et de la lame arrière (D) en recherchant des coupures ou déchirures ; si nécessaire, les remplacer selon la procédure suivante. Vérifier que le bord avant (J) de la lame arrière (D) n'est pas usé ; si nécessaire, retourner la lame pour remplacer le bord usé par le bord en parfait état. Si les autres bords sont usés, remplacer aussi la lame selon la procédure suivante :
 - Retirer la tige de traction (G), dégager les éléments de fixation (M) et retirer la barrette de retenue (K), puis reposer la lame arrière (D). Monter la raclette dans l'ordre inverse du démontage.
 - Dévisser les molettes (I) et retirer la barrette de retenue (L), puis remplacer la lame avant (C). Monter la raclette dans l'ordre inverse du démontage. Après le remplacement de la lame (ou son retournement), ajuster la hauteur, comme indiqué à l'étape précédente.
4. Connecter le tuyau d'aspiration (A, Figure 18) à la raclette.
5. Installer la raclette (B) et visser les molettes (C).
6. Si nécessaire, régler la molette de réglage de l'équilibre de la raclette (35, Figure 2).

NETTOYAGE DU BOÎTIER DE COLLECTE DES DÉBRIS ET DU RÉSERVOIR, ET VÉRIFICATION DU JOINT DU COUVERCLE

1. Conduire la machine sur un sol plat.
2. Vérifier que la machine est éteinte et que la clé de contact (53, Figure 3) a été retirée.
3. Ouvrir le couvercle du réservoir de récupération (A, Figure 19) et s'assurer que le support (B) fonctionne.
4. Nettoyer le couvercle du réservoir de récupération (A), le réservoir de récupération (F), le filtre d'aspiration (C) et la boîte de récupération des débris (D). Vider le réservoir de récupération avec le tuyau de vidange (E).
5. Vérifier que la bande d'étanchéité du réservoir est intègre.



ATTENTION !

S'assurer que le support du couvercle est correctement verrouillé. Veiller à ce que le couvercle du réservoir ne soit pas trop ouvert et qu'il ne heurte pas le support pendant le travail l'intérieur. Le couvercle du réservoir peut se fermer soudainement.



REMARQUE

La bande d'étanchéité du réservoir (G) permet de produire le vide à l'intérieur du réservoir lorsque le moteur d'aspiration fonctionne. Le réservoir doit être scellé, pour pouvoir effectivement aspirer l'eau du sol vers le réservoir de récupération.

6. Vérifier si la surface de contact de la bande d'étanchéité (G) est en bon état et est suffisamment étanche. Si nécessaire, sortir la bande d'étanchéité du réservoir de la rainure (H) et la remplacer. Monter le nouveau joint d'étanchéité comme indiqué sur la (Figure 19), le joint devant être ramené dans la zone médiane.
7. Fermer le couvercle du réservoir de récupération (A).

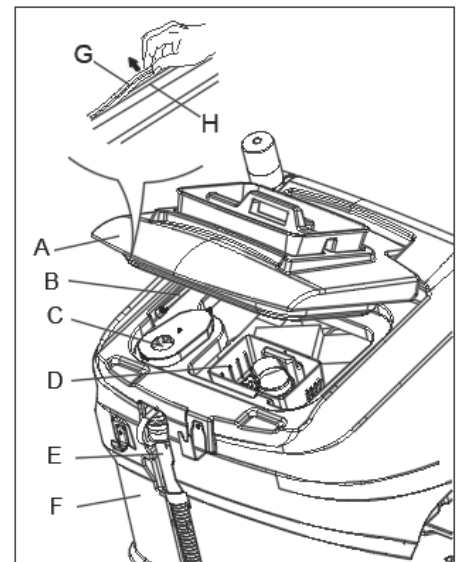


Figure 19

ACCESSOIRES/OPTIONS

En plus des composants standards, la machine peut être équipée des accessoires/options suivants, selon l'utilisation spécifique de la machine :

Pour de plus amples informations concernant les accessoires optionnels mentionnés ci-dessus, contacter un distributeur agréé.

ACCESSOIRES/OPTIONS

Voir la rubrique « Nomenclature des pièces »

1. Brosse de différents matériaux
2. Pince du balai
3. Chariot utilitaire
4. Bavette de dessus
5. Double système d'aspiration

DÉPANNAGE

Problème	Causes probables	Solution
Les moteurs ne fonctionnent pas, code d'erreur à l'écran	Le connecteur de la batterie est déconnecté.	Connecter le connecteur de la batterie.
	Les batteries sont complètement déchargées.	Charger les batteries.
	Code d'erreur, voir le tableau.	Redémarrer la machine.
La machine ne bouge pas	La machine est éteinte avec la clé de contact.	Activer la clé de contact.
	Bouton d'urgence pressé.	Relâcher le bouton d'arrêt d'urgence.
	L'opérateur n'est pas sur le siège.	S'asseoir sur le siège.
L'aspiration de l'eau de récupération est insuffisante.	Le réservoir de l'eau de récupération est plein.	Vider le réservoir.
	Le tuyau est déconnecté de la raclette.	Le connecter.
	La boîte de collecte des débris est pleine ou la sortie du tuyau de la raclette est bouchée.	Nettoyer la boîte ou la sortie.
	La raclette ou les lames de raclette sont usées ou endommagées.	Nettoyer et contrôler la raclette.
	Le couvercle du réservoir est mal fermé, le joint est endommagé ou la colonne montante est bouchée.	Fermer le couvercle correctement, remplacer le joint ou nettoyer le tube Bend.
	Le tuyau d'aspiration est bouché.	Le nettoyer.
Le débit de solution aux brosses est insuffisant.	Le filtre de solution/eau propre est sale.	Nettoyer le filtre.
	La pompe ou la vanne est cassée.	Remplacer l'élément cassé.
La raclette laisse des traces sur le sol.	Il y a des débris sous les lames de la raclette.	Retirer les débris.
	Les lames de la raclette sont usées, émoussées ou déchirées.	Remplacer les lames.
	La raclette n'a pas été réglée avec la molette.	Régler.
	Les bavettes anti-projection latérales ne sont pas bien réglées.	Régler.

CODE D'ERREUR DE L'ÉCRAN

Erreur 1	Valve Overload	Court-circuit ou surcharge de vanne
Erreur 2	Brush Overload	Court-circuit ou surcharge du moteur de brosse
Erreur 3	Vacuum Overload	Court-circuit ou surcharge du moteur d'aspiration
Erreur 4	Tra Overload	Court-circuit ou surcharge du moteur de traction
Erreur 5	Bru-D Overload	Court-circuit ou surcharge du moteur de l'actionneur de la brosse
Erreur 6	Battery Low	Tension de batterie basse
Erreur 7	Brush Open	Le câblage du moteur de la brosse est en circuit ouvert
Erreur 8	Vacuum Open	Le câblage du moteur d'aspiration est en circuit ouvert
Erreur 9	Valve Open	Le câblage de la vanne d'eau est en circuit ouvert
Erreur 10	Switch SRO	Lorsque la clé de contact est activée, l'accélérateur est pressé La tension de sortie zéro de l'accélérateur est élevée.
Erreur 11	Tract Carbon	Rappeler à l'utilisateur de changer le carbone du moteur de traction
Erreur 12	Brush Carbon	Rappeler à l'utilisateur de changer le carbone du moteur de brosse
Erreur 13	Vacuum Carbon	Rappeler à l'utilisateur de changer le carbone du moteur d'aspiration
Erreur 14	C EEPROM Err	Erreur EEPROM ou erreur de paramétrage
Erreur 15	P EEPROM Err	Erreur EEPROM ou erreur de paramétrage
Erreur 16	Comm Err	Câblage de communication cassé 2. Mauvais câblage Coupure du contrôleur
Erreur 17	C Self-Test Err	1. Défaillance de l'accélérateur 2. Relais interne soudé 3. Défaillance du MOSFET ou autre matériel
Erreur 18	Overheat	1. Surchauffe du contrôleur 2. Surchauffe du MOSFET
Erreur 19	Battery High	Tension de la batterie >44 V
Erreur 23	Clean Empty	Le réservoir d'eau propre est vide ou problème de câblage du commutateur d'eau propre
Erreur 24	Dirty Full	Le réservoir d'eau sale est plein ou problème de câblage du commutateur d'eau sale
Erreur 26	Brake Err	Court-circuit ou surcharge du frein
Erreur 27	Water Pump Err	Court-circuit ou surcharge de la pompe à eau
Erreur 28	SQU Overload	Court-circuit ou surcharge du moteur de l'actionneur de la raclette
Erreur 29	Beeper Overload	Court-circuit ou surcharge du bipleur
Erreur 30	E-CONT Overload	Court-circuit ou surcharge du contacteur externe
Erreur 31	Speed Limit Err	Le potentiomètre de vitesse est hors tolérances (100+/-20K)
Erreur 32	A-Lamp Overload	Court-circuit ou surcharge de la lampe d'alarme
Erreur 33	Light Overload	Court-circuit ou surcharge de lumière
Erreur 34	Machine Locked	La machine est bloquée (module IOT facultatif)
Erreur 35	IOT Missing	Le module IOT est absent (module IOT facultatif)
Erreur 36	Brake Open	Circuit ouvert de câblage de frein électromagnétique
Erreur 39	USB Overload	Surcharge du chargeur USB

**REMARQUE**

Lorsque l'écran affiche un code d'erreur. Redémarrer la machine par la clé de contact (53, Figure 3). Si l'erreur ne peut pas être éliminée, merci de contacter notre centre d'entretien agréé.

MISE AU REBUT

Mettre la machine au rebut selon le centre de traitement des déchets agréé.

Avant que la machine ne soit mise au rebut, veuillez à respecter la réglementation en vigueur pour les différents éléments qui la constituent.

- Batteries (option)
- Brosse/support disque
- Tuyau et pièces en plastique
- Composants électriques et électroniques (*)

(*) Veuillez contacter notre centre d'entretien lors de la destruction de tout composant électrique et électronique.

Composition matérielle de la machine et possibilité de recyclage

Type	% recyclable	% de poids
Aluminium	100%	1%
Moteurs électriques-divers	29%	20%
Matériaux en fer	100%	39%
Faisceau de câbles	80%	1%
Liquides	100%	0%
Plastique - matière non recyclable	0%	1%
Plastique - matière recyclable	100%	35%
Caoutchouc	20%	3%

ÍNDICE

INTRODUCCIÓN	50
PROPÓSITO Y CONTENIDOS DE ESTA GUÍA.....	50
CÓMO GUARDAR EL MANUAL DE INSTRUCCIONES DE USO.....	50
ACCESORIOS Y MANTENIMIENTO.....	50
CAMBIOS Y MEJORAS.....	50
ÁMBITO DE APLICACIÓN.....	50
DATOS DE IDENTIFICACIÓN DE LA MÁQUINA.....	50
TRANSPORTE Y DESEMBALAJE.....	51
SEGURIDAD	51
SÍMBOLOS VISIBLES EN LA MÁQUINA.....	51
SÍMBOLOS QUE APARECEN EN EL MANUAL DE INSTRUCCIONES DE USO.....	51
INSTRUCCIONES GENERALES DE SEGURIDAD.....	52
DESCRIPCIÓN DE LA MÁQUINA	54
ESTRUCTURA DE LA MÁQUINA *--opcional.....	54
PANEL DE CONTROL (como se indica).....	55
PARÁMETROS TÉCNICOS.....	58
ESQUEMA ELÉCTRICO.....	59
GUÍA DE FUNCIONAMIENTO	60
CONTROL/CONFIGURACIÓN DE LA BATERÍA EN UNA MÁQUINA NUEVA.....	60
INSTALACIÓN DE LA BATERÍA Y CONFIGURACIÓN DEL TIPO DE BATERÍA (WET/GEL/AGM/DIS/ENE).....	60
INSTALACIÓN Y EXTRACCIÓN DEL CEPILLO/ PORTA-PAD.....	61
AJUSTE DE LOS PROTECTORES LATERALES CONTRA SALPICADURAS.....	62
AJUSTE DE LA ESTABILIDAD DE LA BOQUILLA.....	62
LLENADO DEL DEPÓSITO DE LA SOLUCIÓN.....	63
INSPECCIÓN DEL MOTOR DE TRACCIÓN Y DEL FRENO MECÁNICO.....	63
PUESTA EN MARCHA Y PARADA DE LA MÁQUINA.....	63
CONDUCCIÓN DE LA MÁQUINA (FREGAR Y SECAR).....	64
VACIAR LOS DEPÓSITOS.....	65
DESPUÉS DEL USO DE LA MÁQUINA.....	65
ALMACENAMIENTO DE LA MÁQUINA DURANTE LARGOS PERIODOS DE INACTIVIDAD.....	65
PRIMER PERÍODO DE USO.....	65
MANTENIMIENTO	66
TABLA DE MANTENIMIENTO PROGRAMADO.....	66
CARGA DE LA BATERÍA.....	67
LIMPIEZA DE LOS CEPILLOS/PADS.....	68
LIMPIEZA DEL FILTRO DE LA SOLUCIÓN.....	68
LIMPIEZA DE LA BOQUILLA.....	68
CONTROL Y SUSTITUCIÓN DE LOS LABIOS DE LA BOQUILLA.....	68
LIMPIEZA DEL DEPÓSITO Y CAJA DE RECOGIDA DE RESIDUOS Y CONTROL DE LA GOMA DE LA TAPA.....	69
ACCESORIOS/OPCIONES.....	69
RESOLUCIÓN DE PROBLEMAS	70
CÓDIGO DE ERROR DE LA PANTALLA	71
DESGUACE	72

INTRODUCCIÓN**NOTA**

Los números entre paréntesis hacen referencia a los componentes que se muestran en la sección Descripción de la Máquina.

PROPÓSITO Y CONTENIDOS DE ESTA GUÍA

El propósito del presente Manual de Instrucciones de Uso es proporcionar al operador toda la información básica, los datos técnicos, el funcionamiento, el almacenamiento, las piezas de repuesto, las condiciones de seguridad etc.

Antes de efectuar cualquier operación en la máquina, los operadores y los técnicos calificados tienen que leer cuidadosamente el Manual de Instrucciones de Uso. En caso de dudas sobre la correcta interpretación de las instrucciones, contacte con nuestra empresa para obtener más información.

CÓMO GUARDAR EL MANUAL DE INSTRUCCIONES DE USO

El manual de instrucciones de uso debe conservarse junto a la máquina, dentro de su contenedor, lejos de líquidos y otras sustancias que podrían dañarlo.

ACCESORIOS Y MANTENIMIENTO

Todos los procedimientos de operación, mantenimiento y reparación necesarios deben ser realizados por personal calificado o por los centros de servicio designados de nuestra empresa. SOLO se permite el uso de accesorios y piezas de repuesto originales.

Póngase en contacto con el servicio de atención al cliente de nuestra empresa por cualquier servicio o compra de accesorios o piezas de repuesto según necesario.

CAMBIOS Y MEJORAS

Estamos comprometidos con la mejora continua de nuestros productos, y la empresa se reserva el derecho de aportar cambios y mejoras al producto sin aviso previo.

ÁMBITO DE APLICACIÓN

La fregadora está destinada al uso comercial e industrial. Es apropiada para la limpieza de suelos lisos y sólidos, cuando es utilizada por personal calificado en condiciones de seguridad. No es apta para el uso al aire libre o para la limpieza de alfombras o suelos ásperos.

DATOS DE IDENTIFICACIÓN DE LA MÁQUINA

El número de serie y el modelo de la máquina aparecen marcados en la etiqueta de serie.

Esta información es útil. Utilice la siguiente tabla para anotar los datos de identificación de la máquina a la hora de comprar piezas de repuesto para la máquina.

MODELO DE LA MÁQUINA.....
NÚMERO DE SERIE DE LA MÁQUINA.....

TRANSPORTE Y DESEMBALAJE

Cuando el transportista entrega la máquina, asegúrese de que el embalaje y la máquina se encuentran enteros y sin daños. Si se observaran desperfectos, avise al transportista sobre el daño, antes de aceptar las mercancías, para reservarse el derecho de indemnización.

Al desembalar la máquina siga estrictamente las instrucciones en el embalaje.

Compruebe el paquete y asegúrese de que los siguientes artículos están incluidos:

1. Documentación técnica -- Instrucciones de uso.
2. Componentes de conexión de la batería.
3. Manual del cargador de baterías electrónico (si está en dotación) (*)

SEGURIDAD

Los siguientes símbolos indican situaciones potencialmente peligrosas. Siempre lea atentamente esta información y tome todas las precauciones necesarias para salvaguardar a las personas y las propiedades.

SÍMBOLOS VISIBLES EN LA MÁQUINA



¡ADVERTENCIA!

Lea detenidamente todas las instrucciones antes de realizar cualquier operación en la máquina.



¡ADVERTENCIA!

No lave la máquina con chorros directos o agua a presión.



¡ADVERTENCIA!

No utilice la máquina en pendientes con un grado de inclinación superior al que se define en las especificaciones.

SÍMBOLOS QUE APARECEN EN EL MANUAL DE INSTRUCCIONES DE USO



¡PELIGRO!

Indica una situación peligrosa con riesgo de muerte para el operador.



¡ADVERTENCIA!

Indica un riesgo potencial de lesiones a las personas.



¡ATENCIÓN!

Indica una advertencia o una nota relacionada con funciones importantes o útiles. Preste atención a los párrafos marcados con este símbolo.



NOTA

Indica una observación relacionada con funciones importantes o útiles.



CONSULTA

Indica la necesidad de consultar el manual de instrucciones de uso antes de realizar cualquier procedimiento.

INSTRUCCIONES GENERALES DE SEGURIDAD

Advertencias y precauciones específicas para informar acerca de los posibles daños a las personas y a la máquina se muestran a continuación.



¡PELIGRO!

- Esta máquina debe ser operada por personal capacitado y autorizado de acuerdo con las instrucciones del manual.
- Antes de realizar cualquier procedimiento de limpieza, mantenimiento, reparación o sustitución, lea todas las instrucciones con cuidado, asegúrese de apagar la máquina y desconectar el conector de la batería.
- No utilice la máquina cerca de polvos, líquidos o vapores tóxicos, peligrosos, inflamables y/o explosivos. Esta máquina no es adecuada para la recogida de polvos peligrosos.
- Quítese las joyas cuando trabaje cerca de los componentes eléctricos.
- No trabajar bajo la máquina levantada si ésta no está fijada con los soportes de seguridad adecuados.
- Cuando se usan baterías de plomo (WET) pueden emitir gases inflamables en condiciones de uso normales por lo que hay que mantener las chispas, las llamas, los materiales humeantes y los objetos radiantes, luminosos y en llamas lejos de las baterías.
- Durante la carga, las baterías de plomo (WET) pueden emitir gas hidrógeno que es explosivo. Asegúrese de que el entorno de la carga está bien ventilado y lejos de llamas descubiertas.



¡ADVERTENCIA!

- Esta máquina es para USO COMERCIAL, por ejemplo en hoteles, colegios, hospitales, fábricas, tiendas y oficinas y negocios de alquiler.
- Las máquinas desatendidas deberán estar protegidas ante cualquier movimiento involuntario.
- Para evitar usos no autorizados de la máquina, la fuente de energía debe apagarse o bloquearse, por ejemplo quitando la llave del interruptor principal o la llave de encendido.
- Inspeccione cuidadosamente la máquina antes de cada uso. Asegúrese de que todos los componentes se encuentran montados seguramente antes de su uso. Los componentes sueltos podrían producir daños a las personas y a las propiedades.
- Nunca mueva la máquina tirando del cable del cargador de la batería. No pase el cable a través de puertas cerradas, ni lo enrolle alrededor de bordes o esquinas afiladas. No conduzca la máquina sobre el cable del cargador de la batería. Mantenga el cable del cargador de la batería lejos de superficies calientes.
- No cargue las baterías si el cable o el enchufe del cargador de la batería están dañados.
- Para reducir el riesgo de incendio, descargas eléctricas o lesiones, asegúrese de que la máquina está apagada antes de salir.
- Utilice o guarde la máquina en interiores en condiciones secas, no está permitido usarla al aire libre.
- La temperatura tanto de almacenamiento como de funcionamiento de la máquina debe ser entre 0 °C y +40 °C, la humedad del aire debe oscilar entre 30% y 95%.
- No utilice la máquina en pendientes con un grado de inclinación superior al que se define en la especificación.
- Durante el uso y manipulación de detergentes de limpieza de suelos, siga las instrucciones en las etiquetas del detergente y use guantes y protecciones adecuadas.
- Utilice cepillos y pads suministrados con la máquina o definidos en el manual. El uso de otros cepillos o pads podría reducir la seguridad.
- Cuando la máquina no funciona correctamente, asegúrese de que esto no sea causado por falta de mantenimiento. Si es necesario, solicite la asistencia del personal autorizado o se un Centro de asistencia autorizado.
- Tomar todas las precauciones necesarias para que el pelo, las joyas y las ropas no sean capturados por las partes móviles de la máquina.
- No usar la máquina en ambientes demasiado polvorientos.
- No lave la máquina con chorros directos o presurizados de agua, o con sustancias corrosivas.
- No chocar contra estanterías o andamios de los que puedan caer objetos.
- No poner recipientes de líquidos sobre la máquina, usar el portabebidas.

- Para evitar daños en el suelo, no permita que el cepillo/pad funcione mientras la máquina está parada.
- En caso de incendio, use un extintor de polvo seco. No utilice extintores líquidos.
- No retire ni modifique las pegatinas de la máquina.
- No manipule las protecciones de seguridad de la máquina y siga escrupulosamente las instrucciones para el mantenimiento programado.
- Tener cuidado durante el traslado de la máquina en condiciones de temperatura muy baja. El agua en el depósito de recuperación o en los tubos podría congelarse y dañar la máquina.
- Si deben sustituirse piezas, solicite piezas de repuesto ORIGINALES a un Concesionario y/o Revendedor autorizado.
- Lleve la máquina al Centro de asistencia si no funciona como de costumbre o está dañada.
- Para garantizar el funcionamiento correcto y seguro de la máquina, el mantenimiento programado que se muestra en el capítulo correspondiente de este manual, debe realizarlo el personal autorizado o los distribuidores o revendedores autorizados.
- La máquina debe desecharse de forma adecuada, debido a la presencia de materiales tóxicos dañinos (baterías, etc.), que están sujetos a las normas que requieren la eliminación en centros especiales (véase capítulo Desguace).
- Esta máquina es una herramienta de limpieza y no ha sido diseñada para ningún otro fin.
- Las aperturas deben mantenerse libre de polvo, hilacha, pelos y cualquier otro cuerpo extraño que pueda reducir el flujo de aire. No utilice la máquina si los orificios están obstruidos.
- Usar la máquina sólo en áreas con suficiente iluminación.
- Esta máquina no debe ser utilizada por personas (incluidos niños) con capacidades físicas, sensoriales o mentales reducidas, o con falta de experiencia y conocimientos.
- Tener mucho cuidado cuando se utiliza cerca de niños.
- Los niños deben ser supervisados para asegurarse de que no jueguen con el aparato.
- Cuando se usa esta máquina, tener cuidado de salvaguardar la incolumidad de personas y cosas.
- Los niños no pueden efectuar limpieza y mantenimiento de la máquina sin supervisión adecuada.
- Las operadoras deberán haber recibido la capacitación adecuada para usar este tipo de máquinas.

DESCRIPCIÓN DE LA MÁQUINA

ESTRUCTURA DE LA MÁQUINA *--opcional

1. Volante
2. Asiento, ajustable (con interruptor de seguridad)
3. Luz de advertencia
4. Organizador multiuso (*)
5. Tapa del depósito de recuperación
6. Gancho
7. Pestillo (2)
8. Depósito de recuperación
9. Tapa del filtro
10. Soporte del tubo de llenado
11. Soporte del filtro
12. Depósito de la solución detergente
13. Tubo de nivel de agua
14. Ruedas motrices (con freno mecánico)
15. Protectores laterales contra salpicaduras
16. Conjunto del cepillo
17. Bomba
18. Ruedas parachoques
19. Cubierta de drenaje del depósito de solución
20. Ruedas delanteras
21. Luces delanteras
22. Filtro de solución
23. Parachoques delantero
24. Válvula de cierre de la solución
25. Pedal mecánico del freno
26. Cubierta de almacenamiento interno
27. Puerto de carga USB
28. Panel de control
29. Botón de emergencia
30. Portavasos
31. Cable de soporte del depósito de recogida
32. Pedal de aceleración
33. Parada instalación del conductor del cepillo/pad
34. Reguladores de la boquilla
35. Perilla de ajuste ángulo boquilla
36. Tubo de aspiración de la boquilla
37. Boquilla
38. Tubo de descarga del agua de recuperación
39. Gancho de la boquilla
40. Caja de recogida de residuos
41. Filtro de toma de aspiración
42. Goma de la tapa del depósito
43. Baterías (N/A)
44. Bandeja de la batería (*)
45. Sistema de aspiración
46. Sistema de aspiración dual (*)

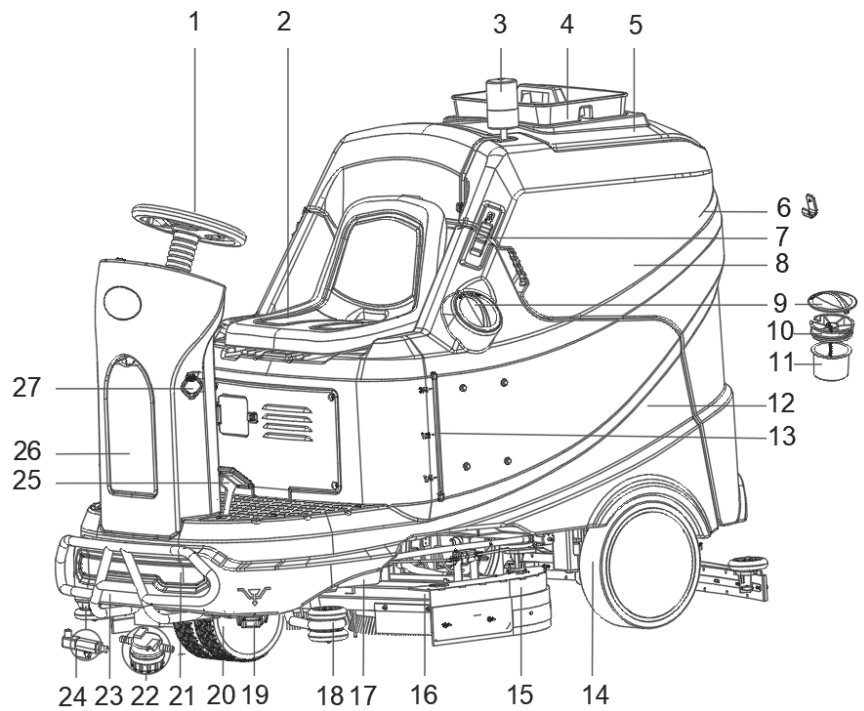
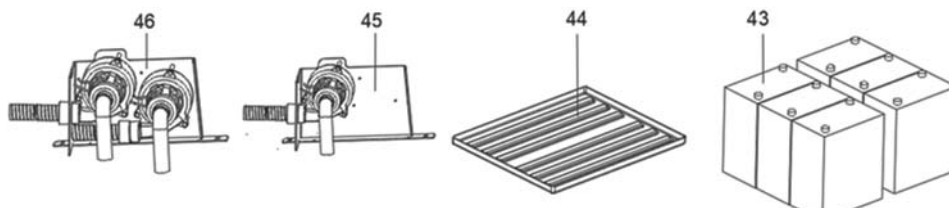
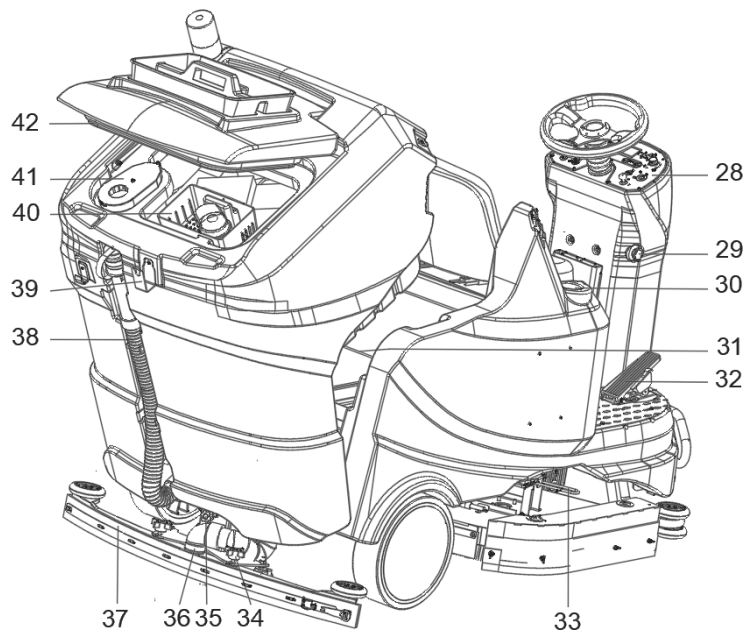


Figura 1



PANEL DE CONTROL (como se indica)

47. Pantalla multifunción
 Visualizaciones:
 A) Tipo de baterías
 B) Nivel de carga de las baterías
 C) Horas de trabajo
 D) Modo ECO
 E) Modalidad aspiración normal
 F) Modalidad aspiración silenciosa
 G) Modalidad marcha atrás
 H) Presión adicional activada
 I) Cantidad del flujo de la solución detergente
 J) Modalidad de trabajo del cepillo
 K) Modalidad aspiración
 L) Interruptor de seguridad del asiento apagado
48. Indicador del depósito de recogida lleno/depósito de solución vacío
49. Perilla de ajuste de velocidad
50. Botones de ajuste del flujo de la solución
51. Botón de arranque
 ·LED debajo de la función-botón activado
 ·sistema de agua (nivel 2)
 ·presión al mínimo (nivel 1)
 ·sistema de aspiración normal
52. Botón de avance y retroceso
53. Llave de encendido (0=Encendido I=Apagado)
54. Botón de ajuste del sistema de aspiración (pulse el botón 1 segundo para activarlo)
 ·LED fijo en modalidad normal
 ·LED intermitente - Modo silencioso
55. Botón modalidad ECO
 ·LED debajo de la función-botón activado
 flujo del agua al mínimo (nivel 1)
 ·presión al mínimo (nivel 1)
 ·aspiradora en modalidad silenciosa.
56. Clic de encendido/apagado cepillo/porta-pad
 ·LED parpadeante de bloqueo activado
57. Botones de ajuste presión cepillo
58. Bocina
59. Botón de luz delantera
60. Tapa del enchufe de carga
61. Protectores de sobrecarga del motor del cepillo (30 A)
62. Protector de sobrecarga del elevador del cepillo (3A)
63. Enchufe de carga
64. Protector de sobrecarga del circuito de control principal (5 A)
65. Protector de sobrecarga del/de los motor/es de vacío (30 A)
66. Protector de sobrecarga del elevador de la boquilla (3A)

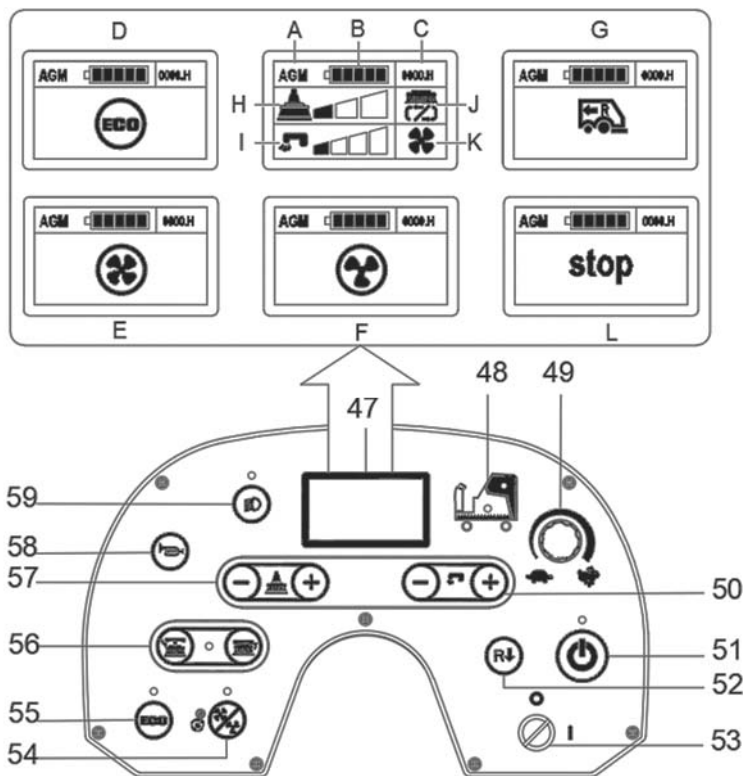


Figura 3

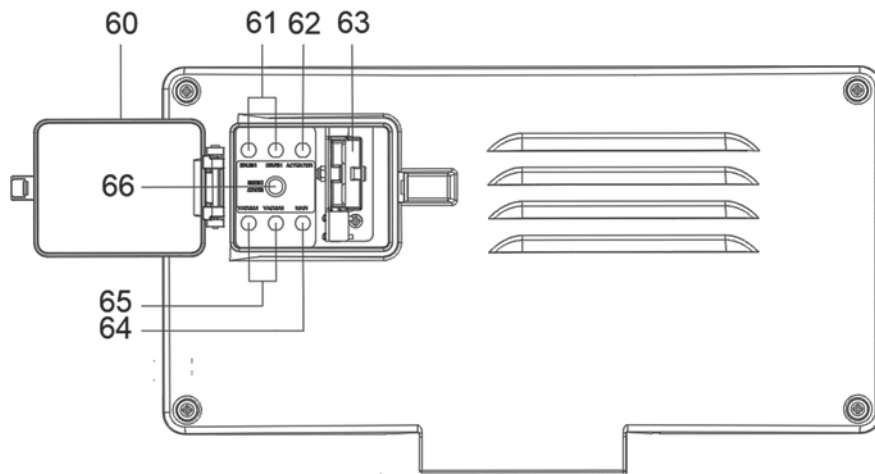
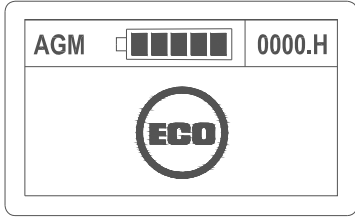
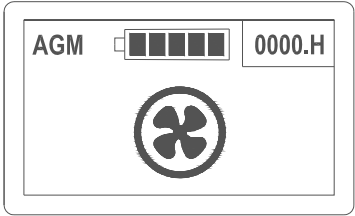
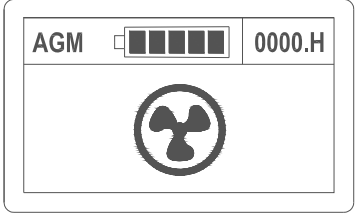
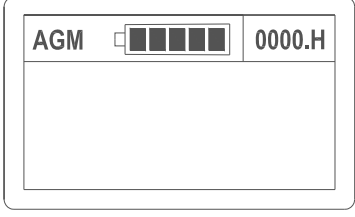
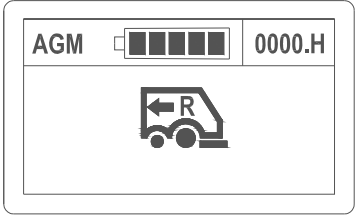
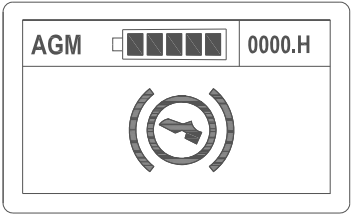


Figura 4

DESCRIPCIÓN MODO DE TRABAJO

CÓMO FUNCIONA	DESCRIPCIÓN DE	LA PANTALLA
Modo normal		
<ul style="list-style-type: none"> - Llave (53) encendida - Botón de arranque (51) encendido - Interruptor de seguridad del asiento (2) encendido 		<ol style="list-style-type: none"> 1. Cronómetro no parpadea. 2. La flecha del cepillo no gira. 3. El ventilador no parpadea. 4. El grifo de agua no parpadea. 5. El actuador se coloca en el primer nivel de presión.
<ul style="list-style-type: none"> - Llave (53) encendida - Botón de arranque (51) encendido - Interruptor de seguridad del asiento (2) encendido - Pedal del acelerador (32) presionado 		<ol style="list-style-type: none"> 1. Cronómetro parpadea. 2. La flecha del cepillo gira. 3. El ventilador parpadea. (Cuatro palas) 4. El grifo del agua parpadea.
Modo silencioso		
<ul style="list-style-type: none"> - Llave (53) encendida - Botón de arranque (51) encendido - Interruptor de seguridad del asiento (2) encendido 		<ol style="list-style-type: none"> 1. Cronómetro no parpadea. 2. La flecha del cepillo no gira. 3. El ventilador no parpadea. 4. El grifo de agua no parpadea.
<ul style="list-style-type: none"> - Llave (53) encendida - Botón de arranque (51) encendido - Presione el botón de ajuste del sistema de aspiración (54) durante 1 segundo - Interruptor de seguridad del asiento (2) encendido - Pedal del acelerador (32) presionado 		<ol style="list-style-type: none"> 1. El cronómetro parpadea. 2. La flecha del cepillo gira. 3. El ventilador parpadea. (Tres palas) 4. El grifo del agua parpadea.
Modalidad Apagado		
<ul style="list-style-type: none"> - Interruptor de seguridad del asiento (2) apagado - Botón de arranque (51) apagado - Llave (53) encendida 		<ol style="list-style-type: none"> 1. Cronómetro no parpadea. 2. Cierre de todo el panel de botones. (El motor de la aspiradora tarda 12 segundos en apagarse.) 3. El cabezal del cepillo se pone en la posición más alta. 4. La señal de "STOP" se alternará con la pantalla.
<ul style="list-style-type: none"> - Llave (53) apagada - O botón de emergencia (29) encendido, no aparece en la pantalla 		<ol style="list-style-type: none"> 1. La alimentación se corta. 2. La pantalla está apagada. <p>Nota: Después de desactivar el botón de arranque (51), espere hasta que el cabezal del cepillo se eleva hasta la posición de máxima elevación, antes de desconectar la llave (53).</p>

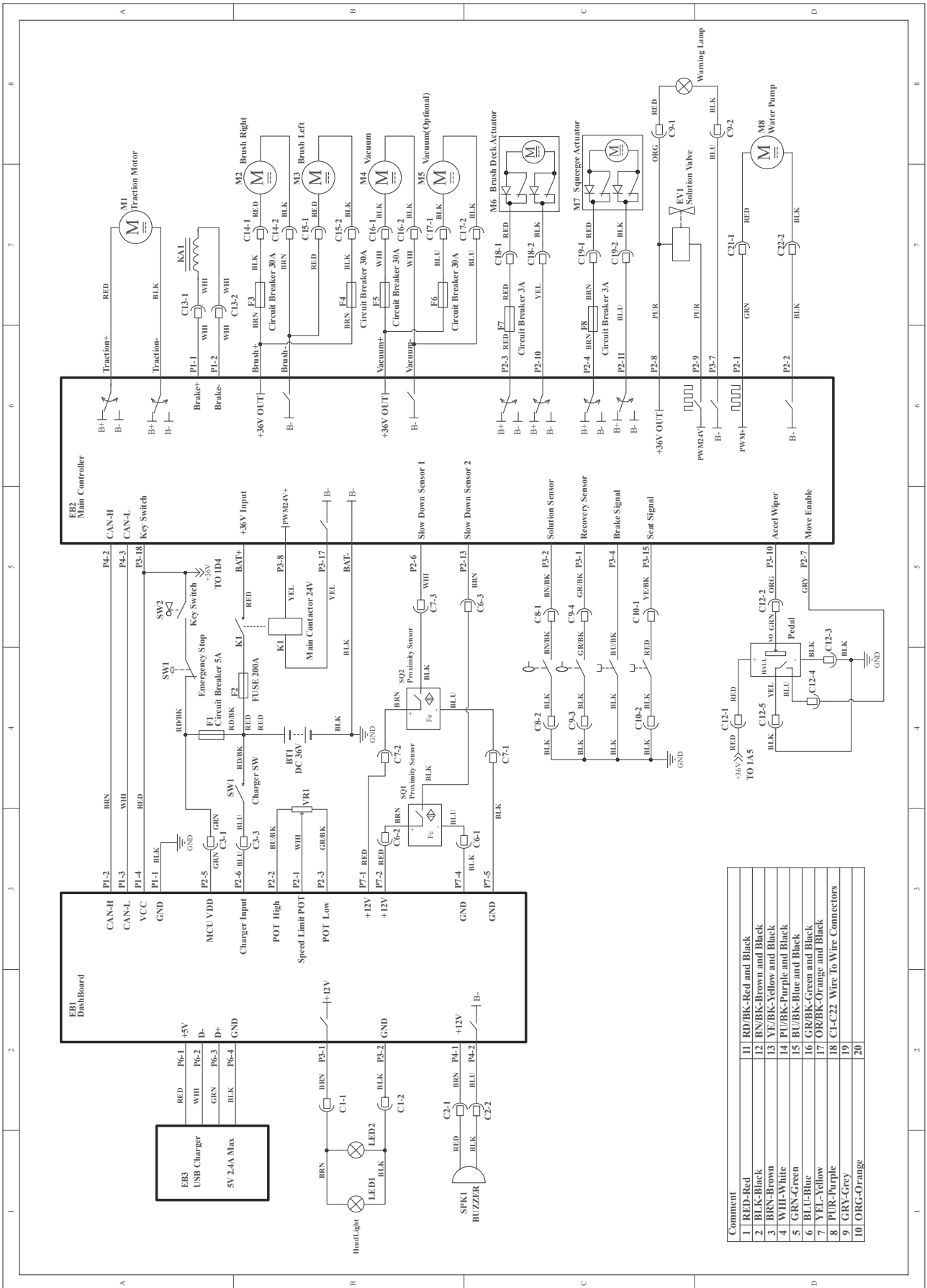
CÓMO FUNCIONA	DESCRIPCIÓN DE	LA PANTALLA
Modo ECO		
<ul style="list-style-type: none"> - Llave (53) encendida - Botón de arranque (51) encendido - Botón ECO (55) encendido 		<ol style="list-style-type: none"> 1. Caudal del agua al mínimo (nivel 1). 2. Presión al mínimo (nivel 1). 3. La aspiradora está en modalidad silenciosa. <p>Nota: Conecte el botón de arranque (51), antes de conectar el botón ECO (55).</p>
Modo del sistema de aspiración (pulse el botón durante 1 segundo para activar)		
Modo normal		
<ul style="list-style-type: none"> - Interruptor de seguridad del asiento (2) encendido - Llave (53) encendida - Botón de arranque (51) apagado - Presione el botón de ajuste del sistema de aspiración (54) 		El ventilador parpadea (cuatro palas)
Modo silencioso		
<ul style="list-style-type: none"> - Interruptor de seguridad del asiento (2) encendido - Llave (53) encendida - Botón de arranque (51) apagado - Presione el botón de ajuste del sistema de aspiración (54) durante 1 segundo 		El ventilador parpadea (tres palas)
<ul style="list-style-type: none"> - Interruptor de seguridad del asiento (2) encendido - Botón de ajuste del sistema de aspiración (50) apagado 		<p>NINGUN ventilador</p> <p>Nota: Cuando el pulsador de regulación del sistema de aspiración está apagado, el motor de la aspiradora se para inmediatamente.</p>
Modalidad marcha atrás		
<ul style="list-style-type: none"> - Interruptor de seguridad del asiento (2) encendido - Botón de avance y retroceso (52) activado 		<ol style="list-style-type: none"> 1. Cronómetro parpadea. 2. La boquilla se activará si está en modo de trabajo.
Modo de freno mecánico		
<ul style="list-style-type: none"> - Interruptor de seguridad del asiento (2) encendido - Pise el pedal de freno mecánico (25) 		Parada de la máquina. Las demás funciones se mantienen.

PARÁMETROS TÉCNICOS

Tipos de parámetros	AS1050R
Voltaje	36 V
Tensión nominal (ENTRADA)	125 A/4500 W
Grado de protección IP	IP24
Capacidad del depósito de la solución detergente	200 L / 53 Gal.
Capacidad del depósito de recogida	200 L / 53 Gal.
Ancho de fregado	980mm/35,58 pulg.
Diámetro cepillo/pad	508 mm 2/ 20 pulg. x 2
Presión del cepillo/pad (máx.)	90 Kg / 198 Lbs.
Potencia del motor del cepillo (ENTRADA)	2 x 1000 vatios / 2 x 1,3 HP
Velocidad cepillos en modalidad normal	240 RPM
Velocidad cepillos en modalidad ECO	175 RPM
Flujo de la solución detergente (máx) por configuración/mi- nuto	(1,6/2,3/3,3/4,6) Litros / 0,42/0,61/0,87/1,22 Gal
Nivel de presión acústica (un motor de vacío)	72 ± 3 dB (A)
Nivel de presión acústica (dos motores de vacío) (*)	75 ± 3 dB (A)
Nivel de potencia acústica en modalidad ECO o en modali- dad silenciosa	69 ± 3 dB (A)
Potencia del motor de aspiración	600 W/0,8 HP
Carga USB	5 V 2,4 A MÁX.
Productividad (máx)	7840 m ² /h/84389 ft ² /h
Velocidad de trabajo	0 – 8 km / 0 – 5 millas por hora
Velocidad hacia adelante	0 – 8 Km / 0 – 5 Millas por hora
Velocidad en marcha atrás	0– 5 Km / 0 – 3,1 Millas por hora
Potencia del motor de tracción (ENTRADA)	1600 W/2,1 HP
Rotación mínima pasillo	2650mm/104 pulg.
Capacidad de ascenso (máx.) transporte	20%
Capacidad de ascenso (máx.) trabajo	16%
Diámetro de la rueda de tracción	340mm/13,4 pulg.
Presión específica al suelo de la rueda de tracción	0,68 N/mm ²
Diámetro de la rueda delantera	250 mm/10 pulg.
Presión específica al suelo de la rueda delantera	0,62 N/mm ²
Nivel de vibración asa (máx)	< 2,5 m/s ²
Tamaño del compartimento de las baterías sin bandeja (L x W x H)	(680 x 560 x 450) mm / 26,7 x 22 x 17,7 pulgadas
Tamaño del compartimento de la batería con bandeja (L x W x H) (*)	(665 x 550 x 430) mm / 26,1 x 21,6 x 16,9 pulgadas
Longitud de la máquina sin parachoques delantero	1875mm/73,8 pulg.
Anchura de la máquina sin boquilla	1077mm/42,4 pulg.
Altura de la máquina	1350 mm/53 pulg.
Peso de la máquina con los depósitos vacíos (sin baterías)	398 Kg / 853,6 Lbs
Peso total de la máquina	870 Kg / 1914 Lbs
Peso de transporte	490 Kg / 1078 Lbs
Dimensiones del embalaje (L x W x H)	(2110 x 1220 x 1535 mm) / (83 x 48 x 60.4 pulgadas)

(*) : Opcional

ESQUEMA ELÉCTRICO



Comment	Wire Color
1 RED-Red	RED
2 BLK-Black	BLK
3 BRN-Brown	BRN
4 WHI-White	WHI
5 GRN-Green	GRN
6 BLU-Blue	BLU
7 YEL-Yellow	YEL
8 PUR-Purple	PUR
9 GRX-Grey	GRX
10 ORG-Orange	ORG

GUÍA DE FUNCIONAMIENTO



¡ADVERTENCIA!

En algunos lugares de la máquina se encuentran algunas placas adhesivas que indican:

- ¡PELIGRO!
- ¡ADVERTENCIA!
- ATENCIÓN!
- CONSULTA

Durante la lectura de este manual, el operador debe prestar atención a los símbolos que aparecen en las placas. No cubra estas placas por cualquier motivo y reemplácelas inmediatamente si están dañadas.

CONTROL/CONFIGURACIÓN DE LA BATERÍA EN UNA MÁQUINA NUEVA



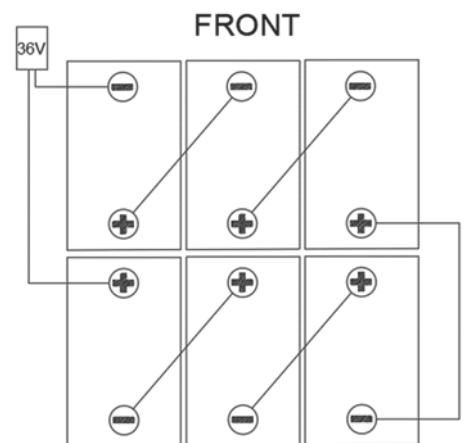
¡ADVERTENCIA!

Los componentes eléctricos de la máquina pueden resultar seriamente dañados si las baterías están mal instaladas o conectadas. Las baterías deben ser instaladas solamente por personal cualificado. Ajuste el tipo de batería siguiendo el procedimiento siguiente según el tipo de batería utilizado (WET o GEL/AGM/DIS/ENE). Antes de instalar las baterías, controlar que no estén dañadas. Desconecte el conector de batería y el enchufe el cargador de batería. Manipule las baterías con gran cuidado. Instale las tapas de protección de los terminales de las baterías suministradas con la máquina.



NOTA

La máquina requiere seis baterías de 6 V, conectadas e instaladas en las posiciones que se muestran en la figura 5.



Baterías instaladas en la máquina

quina y listas para su uso

1. Asegúrese de que el conector de las baterías esté conectado.
2. Cuando se utiliza la máquina por primera vez con baterías nuevas, efectúe un ciclo de carga completo de las baterías (véase procedimiento en el capítulo Mantenimiento).

Sin baterías

1. Compre baterías adecuadas (véase el párrafo «Datos técnicos»). Para elegir e instalar las baterías, contacte con distribuidores cualificados.
2. Ajuste el tipo de batería usando el procedimiento siguiente.

INSTALACIÓN DE LA BATERÍA Y CONFIGURACIÓN DEL TIPO DE BATERÍA (WET/GEL/AGM/DIS/ENE)

Instalación de las baterías

1. Abra los pestillos izquierdo y derecho (7 figura 1).
2. Abra la tapa del depósito de recogida (5 figura 1) y compruebe si el depósito de recogida (8 figura 1) está vacío; de lo contrario vacíelo mediante la manguera de desagüe (38 figura 2).
3. Cierre la tapa del depósito de recogida (5 figura 1).
4. Levante el depósito de recogida (8 figura 1) con cuidado.
5. Desconecte el cable del depósito de recogida y retire el conjunto del depósito de recogida.
6. Retire los cuatro tornillos del depósito de recogida en la parte inferior del mismo.
La máquina se entrega con los cables adecuados para instalar seis baterías de 6 V. Coloque con cuidado las baterías en el compartimiento y a continuación instálaslas correctamente como se muestra en la figura 5. Coloque la plaqueta fija de la batería correctamente.
7. Retire un tornillo del cable de giro del depósito de recogida (31 figura 2) y tire del depósito hacia atrás.
8. Pase e instale el cable de la batería como se indica en la figura 5 y apriete cuidadosamente la tuerca en cada uno de los terminales de la batería.
9. Coloque la tapa de protección sobre cada terminal y conecte el conector de la batería a la máquina.
10. Monte todo el conjunto del depósito de recogida a la inversa con respecto al desmontaje.
11. Baje con cuidado el depósito de recogida.

Ajuste del tipo de batería (WET/GEL/AGM/DIS/ENE)

Acceso para seleccionar la modalidad batería

Según el tipo de baterías (WET/ GEL/AGM/DIS/ENE), configure la máquina realizando el procedimiento siguiente:

Access to select battery mode

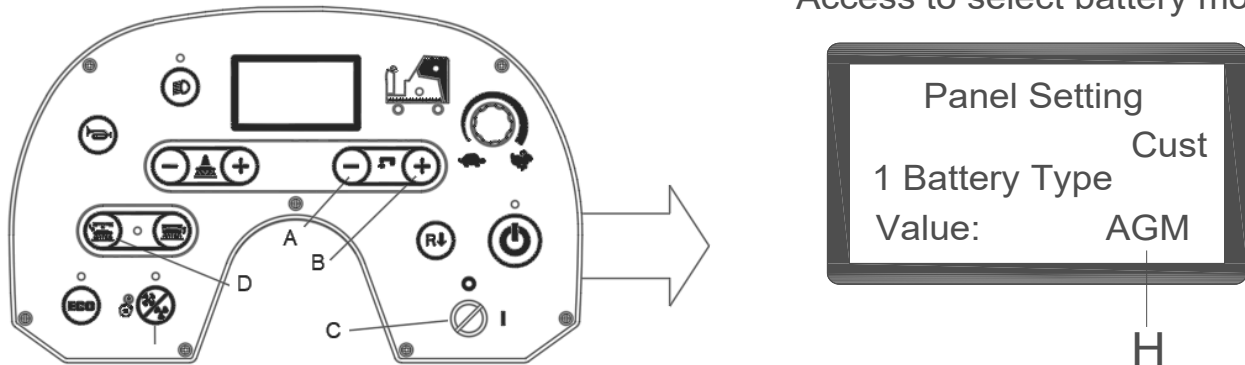


Figura 6

1. Pulse al mismo tiempo el botón del caudal de agua «-» (A, figura 6) y «+» (B, figura 6).
2. Introduzca la llave de encendido (C, figura 6) y colóquela en la posición «I».
3. Varios segundos más tarde, entre en la pantalla de selección del modo de batería (figura 6).
4. Pulse el botón del caudal de agua «-» (A, figura 6) y «+» (B, figura 6) para seleccionar el modo de batería (H, figura 6)
5. Pulse el botón de desbloqueo (D, figura 6). Al cabo de 3 segundos aparece «Actualización OK» esto quiere decir que la actualización se ha realizado correctamente, reinicie la máquina. (C, figura 6).

Carga de la batería

Efectuar un ciclo de carga completa de las baterías (véase procedimiento en el capítulo Mantenimiento).

Descarga de la batería

Cuando el indicador de batería está lleno (G, figura 7), las baterías están completamente cargadas. Cuando el indicador de batería es bajo (H, figura 7), es necesario cargar las baterías. Unos segundos después de que aparece el indicador de batería baja, los motores del cepillo se apagan automáticamente, mientras que el sistema de tracción permanece encendido. Lleve inmediatamente la máquina en el área designada para la carga de las baterías.



Figura 7

INSTALACIÓN Y EXTRACCIÓN DEL CEPILLO/ PORTA-PAD



NOTA

Instale el cepillo (A, Figura 8) o el portapad (B y C, Figura 8) según el tipo de suelo a limpiar.



¡ATENCIÓN!

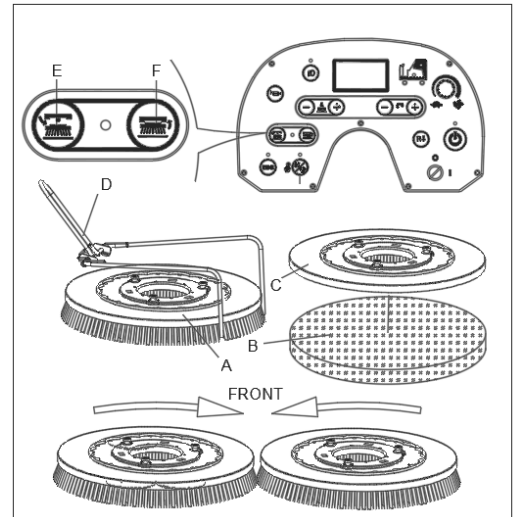
Antes de la instalación o remoción del cepillo o portapad, asegúrese de que todos los interruptores de la máquina están en posición de apagado y la boquilla levantada del suelo. El operario debe estar equipado con dispositivos de protección como guantes para reducir el riesgo de accidentes.

Siga las instrucciones:**INSTALACIÓN:**

1. Introduzca la llave de encendido (53 figura 3) y colóquela en la posición «I». Eleve el cabezal.
2. Coloque los cepillos (A, figura 8) o porta-pads (B, figura 8) debajo del cabezal. Utilice el tope de instalación del cepillo (D, figura 8) para ayudar a encontrar la posición adecuada del cepillo/portapad.
3. Instale el cepillo/portapad, presionando el botón de bloqueo del cepillo/portapad (F, figura 8), el cepillo/portapad se instala automáticamente. Se muestra la dirección de rotación (figura 8). La luz indicadora del LED parpadeará.

REMOCIÓN:

1. Introduzca la llave de encendido (53 figura 3) y colóquela en la posición «I». Asegúrese de que el cepillo/portapad esté en su posición elevada (ARRIBA). Retire el cepillo/portapad, presionando el botón de desbloqueo del cepillo/portapad (E, figura 8), el cepillo/portapad se desbloquea automáticamente. El indicador del LED se Enciende de forma fija.

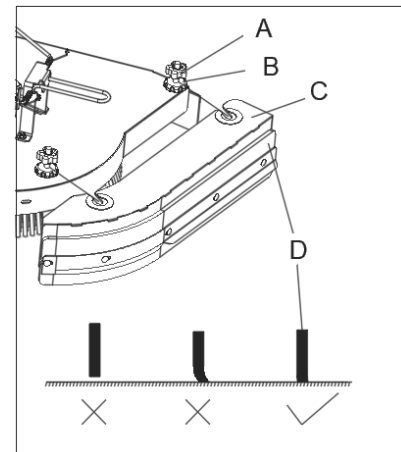
**Figura 8****AJUSTE DE LOS PROTECTORES LATERALES CONTRA SALPICADURAS**

Es necesario monitorizar y ajustar la altura del protector contra salpicaduras. Durante la limpieza con la máquina, compruebe el rendimiento de los protectores laterales contra salpicaduras.

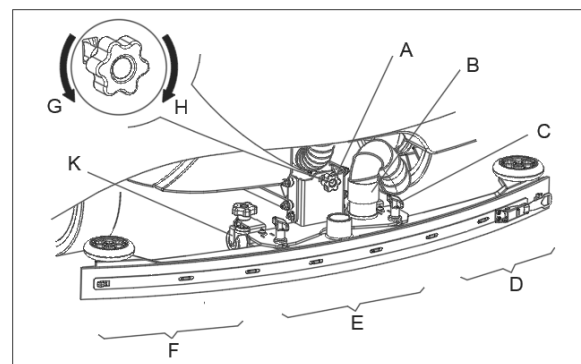
- A. Si los protectores contra salpicaduras son demasiado altos, el espacio entre el protector contra salpicaduras (D) y el suelo, dejará agua en el suelo durante los turnos.
- B. Si los protectores contra salpicaduras son demasiado bajos, el protector contra salpicaduras (D) se desviará demasiado, dejando agua durante los turnos y reduciendo la vida útil del protector contra salpicaduras.
- C. El ajuste adecuado es cuando los protectores contra salpicaduras tocan ligeramente el suelo de la parte delantera a la trasera del protector contra salpicaduras.

El procedimiento de ajuste es el siguiente:

1. Asegúrese de que el cabezal esté en su posición elevada (ARRIBA).
2. Afloje las tuercas de retención superiores (A) y retire el conjunto de protección contra salpicaduras.
3. Ajuste las tuercas de retención inferiores (B) hacia arriba/abajo.
4. Vuelva a instalar el conjunto de protección contra salpicaduras y compruebe el ajuste.
5. Repita el paso 3. y 4 según sea necesario hasta que el ajuste del protector contra salpicaduras sea correcto.
6. Apriete las tuercas de retención de la parte superior (A) para asegurar el ajuste.
7. Repita el procedimiento en el otro protector lateral contra salpicaduras.

**Figura 9****AJUSTE DE LA ESTABILIDAD DE LA BOQUILLA**

1. Instale la boquilla y apriete las tuercas (C, figura 10) y conecte el tubo de aspiración (B) a la boquilla.
2. Ajuste la boquilla mediante la perilla de ajuste (A).
 - a) Si queda un espacio entre el suelo y la sección media del labio trasero de la boquilla (E), ajuste la perilla (A) a derechas (H) hasta que la entera sección del labio trasero de la boquilla entre en contacto con el suelo y el labio delantero toque ligeramente el suelo.
 - d) Si queda espacio entre el suelo y los dos extremos del labio trasero (D y F), ajuste la perilla (A) a izquierdas (G) hasta que la entera sección del labio trasero entre en contacto con el suelo y el labio delantero toque ligeramente el suelo.

**Figura 10**

De ser necesario, ajuste toda la altura de la boquilla ajustando la altura de la rueda pivotante (K).

LLENADO DEL DEPÓSITO DE LA SOLUCIÓN

1. Abra la tapa de entrada del agua (A, Figura 11).
2. A través de la entrada de agua con filtro, llene agua o solución adecuada para el tipo de trabajo a realizar.
La temperatura de la solución detergente no debe superar +104°F (40°C).
3. No llene demasiado el depósito, refiérase al indicador del nivel de agua (D) en cuanto al volumen del agua.



¡ADVERTENCIA!

Utilice solo detergentes no inflamables y de baja espuma, indicados para el uso en fregadoras automáticas.

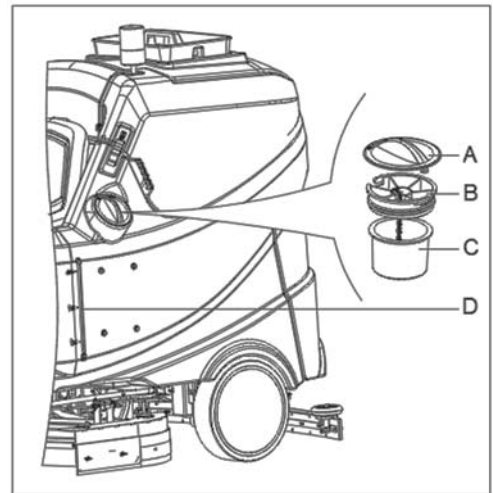


Figura 11

INSPECCIÓN DEL MOTOR DE TRACCIÓN Y DEL FRENO MECÁNICO

1. Gire la llave de encendido (A figura 12) hasta «I» y siéntese en el asiento (C).
2. Pise el pedal de aceleración (D) suavemente y suéltelo para comprobar que la máquina puede orientarse hacia adelante y detenerse.
3. Para mayor seguridad, compruebe que la máquina puede detenerse de inmediato al presionar el botón de emergencia (B). Gire el botón de emergencia para reiniciarlo.
4. Pise el pedal de freno mecánico (F) rápidamente para comprobar si la máquina puede detenerse inmediatamente.



¡ADVERTENCIA!

La capacidad de ascenso de trabajo no debe superar el 16 %. Al trabajar en pendiente, debe mantener los pestillos del depósito (7 figura 1) acoplados. Por seguridad, nunca lo detenga en pendiente.



¡PRECAUCIÓN!

El freno del motor de tracción está desbloqueado cuando el motor funciona normalmente, se bloquea cuando el motor se apaga. En algunos casos especiales, como el embalaje/desembalaje de la máquina, fallo de la máquina, etc., puede ser necesario empujar la máquina. En el motor de tracción (G figura 12) empuje hacia abajo el mango del freno (H figura 12), el freno de la máquina se suelta y la máquina se puede mover. Después de completar, empuje el mango hacia atrás para que la máquina pueda funcionar

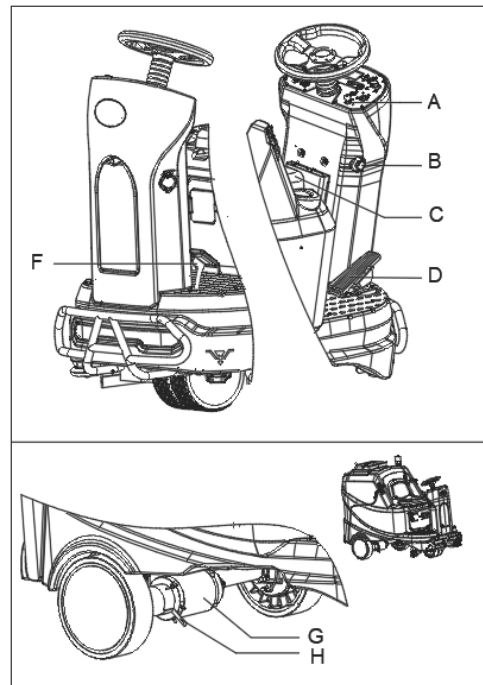


Figura 12

PUESTA EN MARCHA Y PARADA DE LA MÁQUINA

Puesta en marcha de la máquina

1. Preparar la máquina como indicado en el párrafo anterior.
 2. Siéntese en el asiento (K figura 13), inserte la llave de encendido (J figura 13) y gírela hasta «I». Compruebe el estado de la batería desde la pantalla de visualización. Si es necesario cargar las baterías (véase el procedimiento en el capítulo Mantenimiento).
 3. Conduzca la máquina a la zona de trabajo.
- La dirección de avance/retroceso se puede controlar con el interruptor (H figura 13). La velocidad de avance se puede ajustar con el regulador (E figura 13).
4. Pulse el botón de arranque (G, figura 13) para poner en marcha la máquina, la boquilla y los cepillos se bajan al suelo automáticamente y el motor de vacío comienza a funcionar.
 5. Accione los botones de ajuste de caudal de la solución detergente (F, figura 13) según sus necesidades, en función de la limpieza que se ha de realizar.
 6. Pise el pedal del acelerador (Q figura 13) y comience la limpieza.
 7. Puede cargar su teléfono o tableta con el puerto de carga USB (M figura 13) cuando la llave de encendido (J figura 13) esté en «I».
 8. Presione el botón de bocina (B figura 13) para avisar a las personas cuando sea necesario.

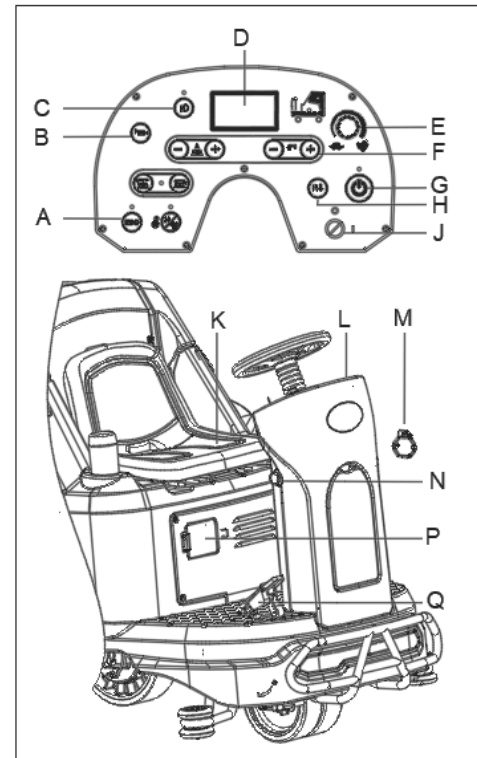
9. De ser necesario, presione el botón de emergencia (N figura 13) para la parada de emergencia de la máquina.
10. De ser necesario, pulse el botón de luces delanteras (C figura 13) para las zonas oscuras o para advertir a los peatones.
11. De ser necesario, ajuste el asiento (K figura 13) girando a la derecha el mango de la derecha del asiento y deslice el asiento a la posición correcta.

**NOTA**

El motor del cepillo, el motor de vacío, el motor de tracción y el circuito de control están protegidos por un protector de sobrecarga (P figura 13). Cuando se dispara un protector de sobrecarga, no lo reinicie inmediatamente sin averiguar la raíz del problema, y asegúrese de que el motor se haya enfriado antes de reiniciarlo.

Parar la máquina

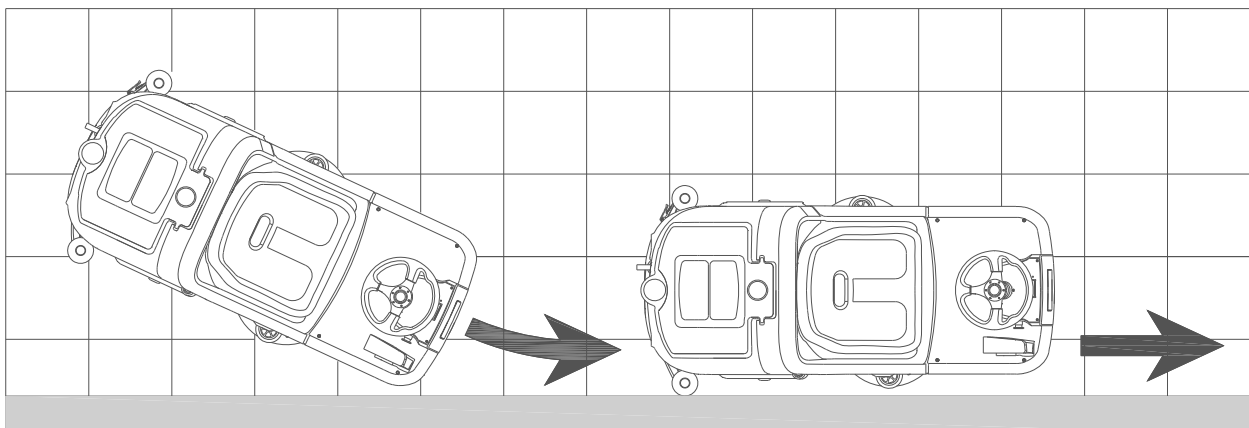
12. Suelte el pedal del acelerador (Q figura 13), la máquina deja de funcionar.
13. Pulse el botón de arranque (G figura 13) para detener los cepillos y aspirar el motor. Los cepillos y la boquilla se levantan del suelo automáticamente. El sistema de aspiración se apaga al cabo de algunos segundos.
14. Coloque la llave de encendido en la posición «0».
15. Asegúrese de que la máquina no pueda moverse de forma autónoma.

**Figura 13****CONDUCCIÓN DE LA MÁQUINA (FREGAR Y SECAR)**

1. Encienda la máquina siguiendo los procedimientos de los párrafos anteriores.
2. Comience a limpiar siguiendo las instrucciones en la sección «Puesta en marcha de la máquina».
3. De ser necesario, detenga la máquina para ajustar los protectores laterales contra salpicaduras según la sección «Ajuste de los protectores laterales contra salpicaduras».
4. De ser necesario, detenga la máquina para ajustar la boquilla según la sección «Ajuste de la boquilla».

**NOTA**

Para un correcto lavado/secado de los suelos en los bordes de las paredes. Se aconseja acercarse a las paredes con la parte derecha de la máquina (figura 14) como se indica en la figura.

**Figura 14**

VACIAR LOS DEPÓSITOS

Vaciar el depósito de agua sucia

Cuando la pantalla multifunción (47 figura 3) muestra ERROR24 y el indicador del depósito de recogida lleno (48, figura 3) está encendido. Indica que el depósito de recogida (C, figura 15) está lleno, el motor de vacío ya no puede secar el suelo. Vacíe el depósito de recogida de la siguiente manera:

1. Parar la máquina.
2. Baje el cabezal portacepillos/portapads y la boquilla presionando el botón de arranque (51 figura 3).
3. Llevar la máquina en el área de eliminación designada.
4. Vacíe el depósito de recogida con el tubo (D figura 15). Luego, enjuague el depósito (C, figura 15) con agua limpia.



¡ATENCIÓN!

Al drenar las aguas residuales, mantenga la manguera de drenaje alta y dóblela sobre la sección superior para evitar derrames sobre el operador.

Vaciar el depósito de solución/agua limpia

1. Vacíe el depósito de solución detergente con la tapa de salida (A, figura 15). Después del uso, enjuague el depósito con agua limpia.

DESPUÉS DEL USO DE LA MÁQUINA

Después de usar, antes de guardar la máquina:

1. Retire los cepillos/portapads presionando el botón de desbloqueo izquierdo (56, figura 3) y límpielos.
2. Vacíe los depósitos (B y C, Figura 15) tal y como se indica en el párrafo anterior.
3. Lleve a cabo los procedimientos de mantenimiento diario (véase el capítulo Mantenimiento).
4. Guarde la máquina en un lugar limpio y seco, con los cepillos/porta-pads y la boquilla levantados o desmontados.
5. Utilice el soporte de la tapa del depósito de recogida para mantener la tapa abierta. Esto ayudará a evitar que se acumulen olores en el interior.

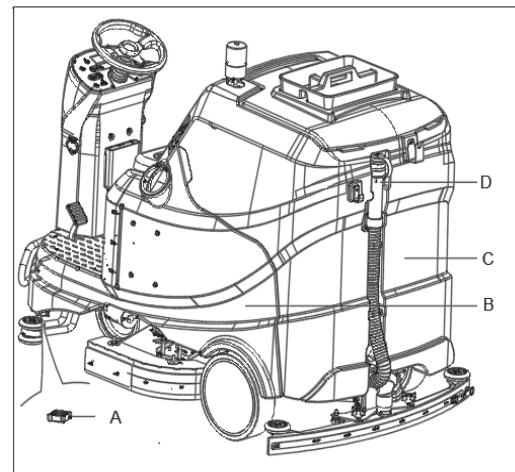


Figura 15

ALMACENAMIENTO DE LA MÁQUINA DURANTE LARGOS PERIODOS DE INACTIVIDAD

Si la máquina no va a ser utilizado durante más de 30 días, proceda de la siguiente manera:

1. Realice los procedimientos que se muestran en el párrafo Después del uso de la máquina.
2. Desconecte el conector de la batería.

PRIMER PERÍODO DE USO

Después de las primeras 8 horas, compruebe si los elementos de sujeción y unión de la máquina están bien apretados e inspeccione las partes visibles en busca de desgaste y fugas.

MANTENIMIENTO**¡ADVERTENCIA!**

Los procedimientos de mantenimiento deben ser realizados cuando la máquina está apagada y el cable del cargador de la batería está desconectado. Además, lea atentamente los capítulos de seguridad en estas instrucciones.

Todos los procedimientos de mantenimiento programado o extraordinario deben ser realizados por personal cualificado o un Centro de asistencia autorizado. Este manual sólo describe los procedimientos de mantenimiento generales y comunes.

Para otros procedimientos de mantenimiento que no se encuentran en la tabla del programa de mantenimiento siguiente, contacte con nuestro Departamento de Soporte Técnico.

TABLA DE MANTENIMIENTO PROGRAMADO**¡ATENCIÓN!**

El procedimiento marcado con (1) debe realizarse 8 horas después del primer uso de la máquina. El procedimiento marcado con (2) debe ser realizado por el Centro de asistencia designado por nuestra empresa.

Procedimiento	Diario, después de cada uso	Semanal	Cada 6 meses	Anualmente
Carga de la batería				
Limpieza de la boquilla				
Limpieza del cepillo/porta-pad				
Limpieza de los depósitos				
Inspección de las tiras de la goma del depósito				
Limpieza de la caja de recogida de residuos				
Limpieza del cepillo/pad				
Limpieza de las protecciones contra salpicaduras				
Control y sustitución de los labios de la boquilla				
Limpieza del filtro de la solución				
Limpieza del filtro de toma de aspiración				
Control del nivel de líquido de la batería WET				
Inspección de los tornillos y tuercas			(1)	
Añada aceite lubricante a las partes rotatorias (como aceite de frenos)			(1)	
Control o sustitución de las escobillas de carbón del motor del cepillo				(2)
Control o sustitución de las escobillas de carbón del motor de la aspiradora				(2)
Control o sustitución de las escobillas de carbón del motor del sistema de tracción				(2)

CARGA DE LA BATERÍA**NOTA**

Cargue las baterías cuando el nivel de la batería está bajo.

**¡ATENCIÓN!**

Si se mantienen las baterías cargadas, su durabilidad aumenta.

**¡ATENCIÓN!**

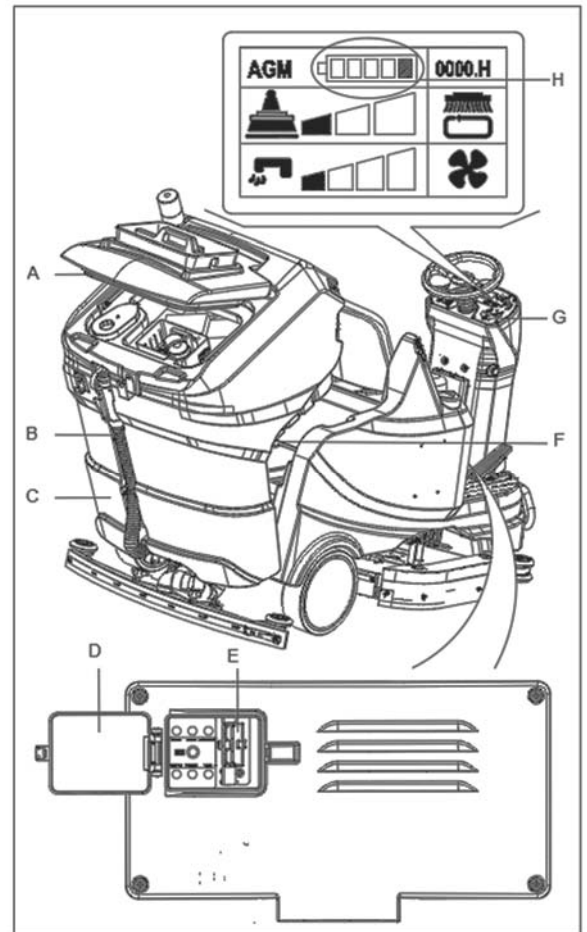
No dejar las baterías descargadas durante mucho tiempo, porque su durabilidad podría reducirse. Controlar la carga de las baterías por lo menos una vez por semana.

**¡ADVERTENCIA!**

Cargando las baterías WET se produce gas hidrógeno muy explosivo. Cargar las baterías sólo en áreas bien ventiladas y lejos de llamas libres. No fume mientras recarga las baterías. El depósito debe permanecer abierto mientras se cargan las baterías.

**¡ADVERTENCIA!**

Durante la carga tener mucho cuidado que el líquido de las baterías no sobresalga. Este líquido es corrosivo. En caso de contacto con la piel o los ojos lave a fondo con agua y acuda al médico.

**Figura 16****Operaciones preliminares**

1. Abra la tapa (A, Figura 16) y compruebe que el depósito de recogida del agua (C, figura 16) esté vacío, de lo contrario vacíelo mediante el tubo de descarga (B, figura 16).
2. Conduzca la máquina al área de carga designada.
3. Coloque la llave de encendido (G, figura 16) en la posición «0».
4. Cargar las baterías mediante el procedimiento siguiente.

Carga de la batería (Máquina con batería externa)

5. Abra la tapa de protección (A, figura 16). Conecte el conector del cargador de batería al conector de la máquina (E, Figura 16). Cuando el cargador de baterías está conectado, todas las funciones de la máquina se paran automáticamente.
6. Conecte el cargador de batería en la toma de pared.
7. Al finalizar la carga de la batería, desconecte el cargador de la toma de pared y, a continuación, desconecte el cable del cargador de la batería de la máquina.
8. Los niveles de electrolitos se deberían controlar después de cargar las baterías.
9. Introduzca la llave de encendido (G, figura 16) y colóquela en la posición «I».. Compruebe el estado de las baterías desde la pantalla multifunción de visualización (H, figura 16).

LIMPIEZA DE LOS CEPILLOS/PADS

¡ATENCIÓN!

Durante estas operaciones se recomienda usar guantes de trabajo, porque residuos cortantes podrían estar en el cepillo/pad.

1. Quite el cepillo/pad de la máquina como indicado en el capítulo Uso.
2. Limpie y lave el cepillo/pad con agua y detergente.
3. Controle que los cepillos/pads están en buenas condiciones de funcionamiento y no excesivamente desgastados; de lo contrario, sustitúyelos.

LIMPIEZA DEL FILTRO DE LA SOLUCIÓN

1. Conduzca la máquina a una sección nivelada del suelo.
2. Asegúrese que la máquina está apagada y la llave de encendido (53, figura 3) ha sido retirada.
3. Vacíe el depósito de la solución detergente o cierre el grifo (24, figura 1).
4. Quite la tapa del filtro (22, figura 1) y quite la rejilla filtrante. Limpie el filtro y vuelva a instalarlo en la base del filtro.
5. Compruebe la junta tórica del filtro. Si hay daños, reemplazarla.
6. Vuelva a instalar la tapa del filtro.



NOTA

La rejilla filtrante debe colocarse correctamente en el alojamiento de la base del filtro.

LIMPIEZA DE LA BOQUILLA

1. Conduzca la máquina a una sección nivelada del suelo.



NOTA

Los labios de la boquilla deben estar limpios y en buenas condiciones para conseguir un buen secado.



¡ATENCIÓN!

Es aconsejable usar guantes de protección al limpiar la boquilla, ya que puede haber escombros cortantes.

2. Coloque la llave de encendido (53 figura 3) en la posición "0".
3. Afloje los dos reguladores (B figura 17) y quite la boquilla (A).
4. Desconecte el tubo de aspiración (C) de la boquilla.
5. Limpie el alojamiento de la boquilla de acero o aluminio (F figura 17). Limpie sobre todo los compartimentos (A) y el orificio (G). Compruebe que el labio delantero (D) y el trasero (E) estén en buenas condiciones, que no presenten cortes ni desgarros; de lo contrario, sustitúyalos (véase el procedimiento en el párrafo siguiente).
6. Ensamble la boquilla en orden contrario al desmontaje.

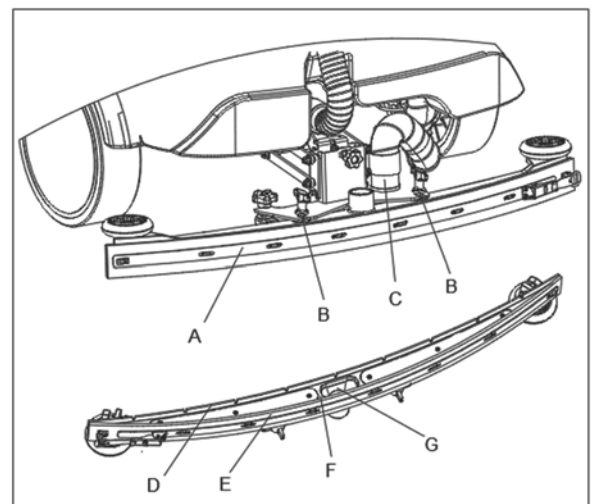


Figura 17

CONTROL Y SUSTITUCIÓN DE LOS LABIOS DE LA BOQUILLA

1. Limpie la boquilla de acero o de aluminio, tal y como se indica en el párrafo anterior.
2. Compruebe si los bordes (E, figura 18) del labio delantero (C) y los bordes (F) del labio trasero (D) están en el mismo nivel, en toda su longitud; si es necesario, ajuste su altura de acuerdo con el siguiente procedimiento:
 - Desenganche el tirante (G), desenganche los retenes (M) y ajuste el labio trasero (D); luego enganche los retenes (M) y fije con el tirante (G).
 - Afloje los reguladores (I) y ajuste el labio delantero (C), luego apriete los reguladores.

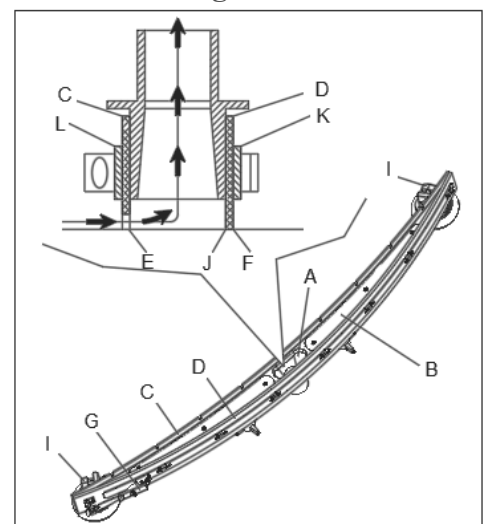


Figura 18

3. Compruebe que los labios delantero (C) y trasero (D) estén en buenas condiciones, que no estén cortados o desgarrados; de lo contrario, sustituirlos mediante el procedimiento siguiente. Compruebe que el borde delantero (J) o el labio trasero (D) no estén desgastados; si es necesario, gire el labio para sustituir el borde desgastado con uno íntegro. Si todos los bordes están desgastados, sustituir el labio, mediante el procedimiento siguiente:
 - Quite el tirante (G), desenganche los retenes (M) y quite la cinta de sujeción (K), luego sustituya el labio trasero (D). Monte el labio en orden contrario al desmontaje.
 - Desenrosque los reguladores (I) y quite la cinta de sujeción (L), luego sustituya el labio delantero (C). Monte el labio en orden contrario al desmontaje. Después de sustituir (o girar) los labios, ajuste su altura, como se indica en el punto anterior.
4. Conecte el tubo de aspiración (A, Figura 18) con la boquilla.
5. Monte la boquilla (B) y enrosque los reguladores (C).
6. Si es necesario, ajuste la boquilla mediante el regulador de ajuste (35 figura 2).

LIMPIEZA DEL DEPÓSITO Y CAJA DE RECOGIDA DE RESIDUOS Y CONTROL DE LA GOMA DE LA TAPA

1. Conduzca la máquina a una superficie nivelada.
2. Asegúrese de que la máquina está apagada y la llave de encendido (53, figura 3) ha sido retirada.
3. Abra la tapa del depósito de recogida (A, figura 19) y asegúrese de que el soporte (B) está funcionando.
4. Limpie la tapa del depósito de recogida (A), el depósito de recogida (F), el filtro de vacío (C) y la caja de recogida de residuos (D). Vacíe el depósito de recogida usando el tubo de vaciado (E).
5. Compruebe que la tira de sellado del depósito esté íntegra.



¡ATENCIÓN!

Asegúrese de que el soporte de la tapa está cerrado correctamente con el pestillo. Tenga cuidado de que la tapa del depósito no esté demasiado abierta y no choque contra el soporte, mientras trabaja en el interior. La tapa del depósito puede cerrarse repentinamente.



NOTA

La tira de goma del depósito (G) es esencial para producir el vacío dentro del depósito cuando el motor de aspiración está trabajando. El depósito debe estar sellado para poder mover el agua del suelo hasta el depósito de recogida.

6. Compruebe si la superficie de contacto de la tira de goma (G) está en buenas condiciones y si el sellado es suficiente. Si es necesario, saque la tira de goma del depósito a través de la ranura (H) y reemplácela. Coloque una nueva tira de goma como se muestra (figura 19), la junta debe volver a la zona media.
7. Cierre la tapa del depósito de recuperación (A).

ACCESORIOS/OPCIONES

Además de los componentes instalados en la versión estándar, la máquina puede equiparse con los siguientes accesorios/opciones, según el uso específico:

Para más información sobre los accesorios opcionales mencionados anteriormente, póngase en contacto con un Revendedor autorizado.

ACCESORIOS/OPCIONES

Consulte la sección «Catálogo de piezas de repuestos»

1. Cepillo de diferentes materiales
2. Abrazadera de la fregona
3. Organizador multiuso (*)
4. Protección superior
5. Sistema de aspiración dual

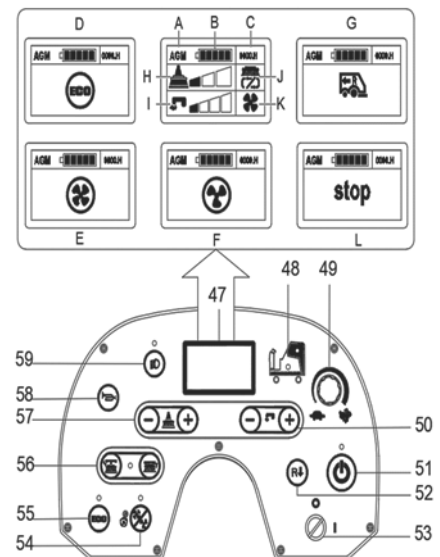


Figura 19

RESOLUCIÓN DE PROBLEMAS

PROBLEMA	Causa probable	Remedio
El motor no funciona, código de error en pantalla	El conector de baterías está desconectado.	Conecte el conector de batería.
	Baterías completamente descargadas.	Cargar las baterías.
	Código de error, véase la tabla.	Vuelva a poner en marcha la máquina.
La máquina no se mueve	La máquina está apagada con la llave de encendido.	Coloque la llave de encendido en «on».
	Se ha pulsado el botón de emergencia.	Suelte el botón de emergencia.
	El operador no está en el asiento.	Siéntese en el asiento.
La aspiración del agua de recuperación es insuficiente.	El depósito de recuperación está lleno.	Vaciar el depósito.
	El tubo está desconectado de la boquilla.	Conectar.
	La caja de recogida de desechos está llena, o la salida de la manguera de la boquilla está obstruida.	Limpie la caja o la salida.
	La boquilla está sucia o los labios de la boquilla están desgastados o dañados.	Limpia y controlar la boquilla.
	La tapa del depósito no está cerrada correctamente, o la goma está desgastada, o el tubo vertical está obstruido.	Cierre bien la tapa, o reemplace la goma o limpie el tubo curvo.
	El tubo de aspiración está obstruido.	Limpia.
El flujo de la solución detergente a los cepillos es insuficiente.	El filtro de la solución detergente/agua limpia está sucio.	Limpia el filtro.
	Se ha roto la bomba o la válvula.	Sustituya la pieza rota.
La boquilla causa estriados en el suelo.	Residuos bajo de los labios de la boquilla.	Quitar los residuos.
	Los labios de la boquilla están desgastados, astillados o desgarrados.	Sustituir los labios.
	La boquilla no fue equilibrada mediante el regulador.	Ajustar.
	Los protectores laterales contra salpicaduras no están bien ajustados.	Ajustar.

CÓDIGO DE ERROR DE LA PANTALLA

Error 1	Valve Overload	Cortocircuito o sobrecarga de la válvula
Error 2	Brush Overload	Cortocircuito o sobrecarga del motor del cepillo
Error 3	Vacuum Overload	Cortocircuito o sobrecarga del motor de aspiración
Error 4	Tra Overload	Cortocircuito o sobrecarga del motor de tracción
Error 5	Bru-D Overload	Cortocircuito o sobrecarga del motor del actuador del cepillo
Error 6	Battery Low	Tensión de la batería baja
Error 7	Brush Open	El cableado del motor del cepillo está en circuito abierto
Error 8	Vacuum Open	El cableado del motor de aspiración está en circuito abierto
Error 9	Valve Open	El cableado de la válvula de agua está en circuito abierto
Error 10	Switch SRO	Cuando el interruptor de llave está encendido, se pulsa el acelerador. La tensión de salida cero del acelerador es alta.
Error 11	Tract Carbon	Recuerda al usuario que cambie el motor de tracción de carbón
Error 12	Brush Carbon	Recuerda al usuario que cambie el motor de cepillo de carbón
Error 13	Vacuum Carbon	Recuerde al usuario que cambie el motor de aspiración de carbón
Error 14	C EEPROM Err	Error EEPROM o error configuración parámetro
Error 15	P EEPROM Err	Error EEPROM o error configuración parámetro
Error 16	Comm Err	Cableado de comunicación roto 3. Cableado incorrecto Controlador apagado
Error 17	C Self-Test Err	1. Fallo del acelerador. 2. Relé interno soldado 3. Fallo Mosfet u otro hardware
Error 18	Overheat	1. Sobrecalentamiento del controlador 2. Sobrecalentamiento Mosfet
Error 19	Battery High	Tensión de la batería > 44 V
Error 23	Clean Empty	El depósito de agua limpia está vacío o hay problemas con el cableado del interruptor de agua limpia
Error 24	Dirty Full	El depósito de agua sucia está lleno o hay problemas con el cableado del interruptor de agua sucia
Error 26	Brake Err	Cortocircuito o sobrecarga del freno
Error 27	Water Pump Err	Cortocircuito o sobrecarga de la bomba de agua
Error 28	SQU Overload	Cortocircuito o sobrecarga del motor del actuador de la boquilla
Error 29	Beeper Overload	Cortocircuito o sobrecarga del biper
Error 30	E-CONT Overload	Cortocircuito o sobrecarga del contactor externo
Error 31	Speed Limit Err	El potenciómetro velocidad está fuera de rango (100+/-20K)
Error 32	A-Lamp Overload	Cortocircuito o sobrecarga de la lámpara de alarma
Error 33	Light Overload	Cortocircuito ligero o sobrecarga
Error 34	Machine Locked	La máquina está bloqueada
Error 35	IOT Missing	Falta el módulo IOT
Error 36	Brake Open	Cableado electromagnético de freno en circuito abierto
Error 39	USB Overload	Sobrecarga del cargador USB

**NOTA**

Cuando la pantalla muestra un código de error. Ponga en marcha la máquina con la llave de encendido (53, Figura 3). Si el error no se puede eliminar, contacte con el centro de asistencia de la empresa.

DESGUACE

Deseche la máquina mediante una institución de tratamiento de residuos calificada.

Antes de desechar máquina, por favor lleve y separe el subconjunto a continuación que debe eliminarse en forma adecuada según las leyes y reglamentos pertinentes.

- Batería
- Cepillo/porta-pad
- Tubo de plástico y piezas de plástico
- Componentes eléctricos y electrónicos (*)

(*) Contacte con el Centro de Asistencia de la empresa para desechar cualquier componente electrónico y eléctrico.

Composición de material de la máquina y reciclabilidad

Tipo	% reciclable	Porcentaje de peso
Aluminio	100%	1%
Motores eléctricos - misc.	29%	20%
Materiales ferrosos	100%	39%
Cableado	80%	1%
Líquidos	100%	0%
Plástico - no reciclable	0%	1%
Plástico - reciclable	100%	35%
Caucho	20%	3%

TABLE OF CONTENTS

GENERAL VIEW	2
BUMPER AND OVERHEAD GUARD.....	4
CHASSIS ASSEMBLY.....	6
FRONT MAIN FRAME ASSEMBLY... ..	9
DRIVE WHEEL AND MECHANICAL BRAKE ASSEMBLY.....	11
BRUSH ASSEMBLY.....	13
SQUEEGEE ASSEMBLY.....	16
CONTROL HOUSING ASSEMBLY.....	19
SOLUTION TANK ASSEMBLY.....	22
ELECTRIC PARTS ASSEMBLY.....	25
RECOVERY TANK ASSEMBLY.....	28
VACUUM MOTOR ASSEMBLY.....	31
ELECTRIC PARTS.....	33
WEAR AND TEAR PARTS.....	35

WHEN ORDERING PARTS

- *Use the part numbers from the "Part. No." columns in this parts list.
- *Specify the model and serial number of the machine.
- *Use the space below to record the model and serial number for future reference.

Model

Serial No.

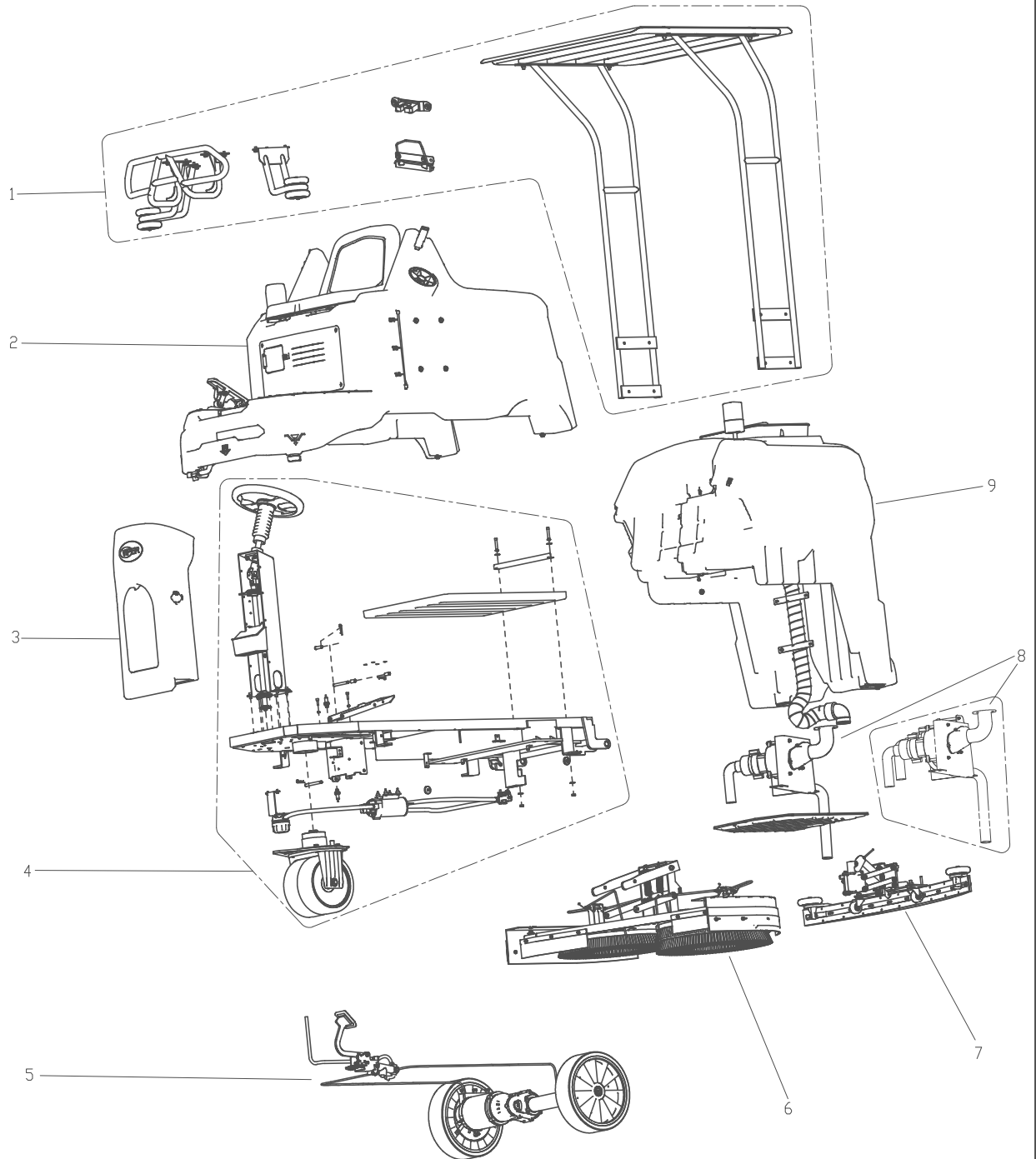
* = Optional

= Modified item No. or New Item No.

[] = Not shown

PART LISTS

GENERAL VIEW



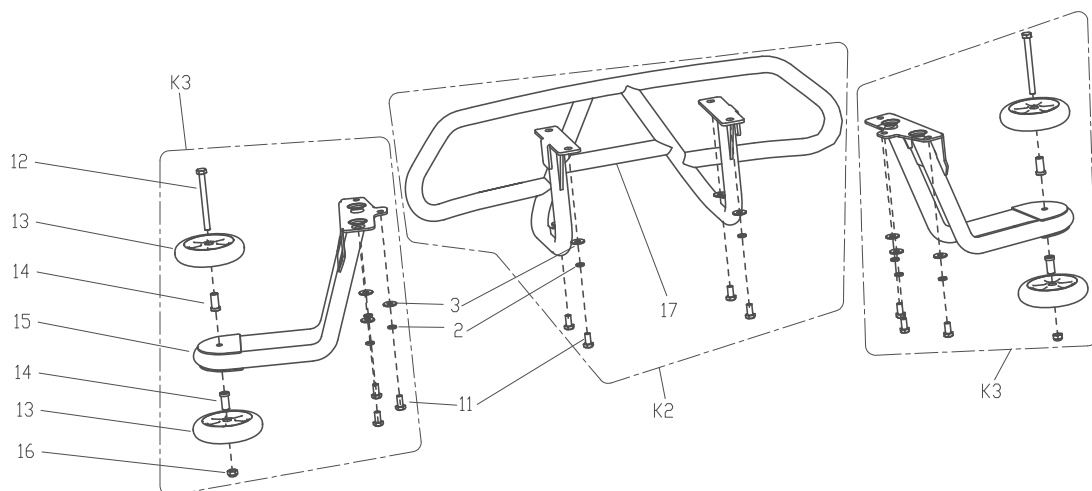
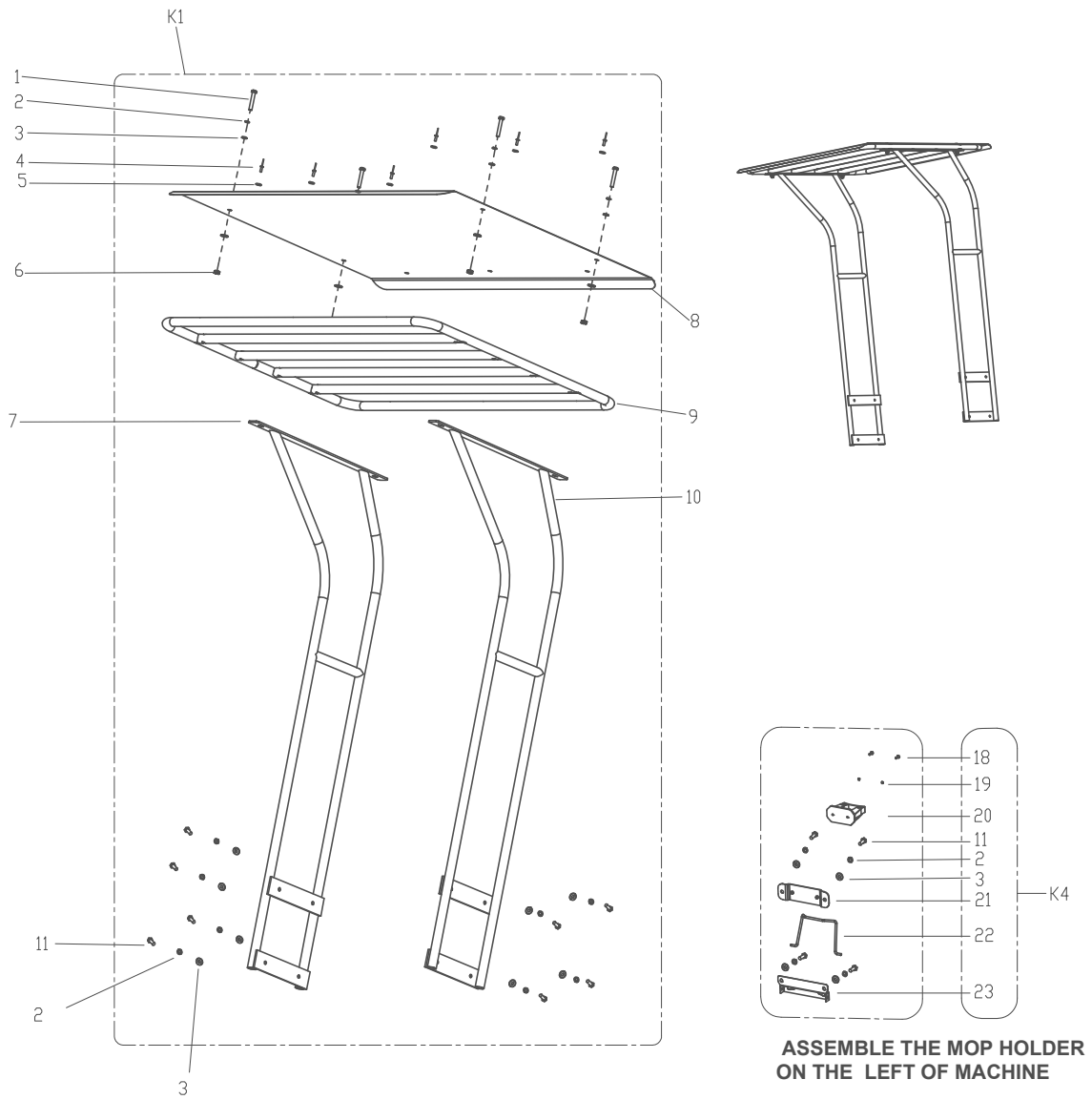
PART LISTS

GENERAL VIEW

Item	Description	Qty
1	BUMPER AND OVERHEAD GUARD AND MOP HOLDER	1
2	SOLUTION TANK ASSEMBLY	1
3	CONTROL HOUSING ASSEMBLY	1
4	CHASSIS ASSEMBLY	1
5	DRIVE WHEEL AND MECHANICAL BRAKE ASSEMBLY	1
6	BRUSH ASSEMBLY 40 INCH	1
7	SQUEEGEE ASSEMBLY	1
8	VACUUM MOTOR ASSEMBLY	1
	DUAL VACUUM MOTOR ASSEMBLY	1
9	RECOVERY TANK ASSEMBLY	1

PART LISTS

BUMPERS AND OVERHEAD GUARD AND MOP HOLDER



PART LISTS

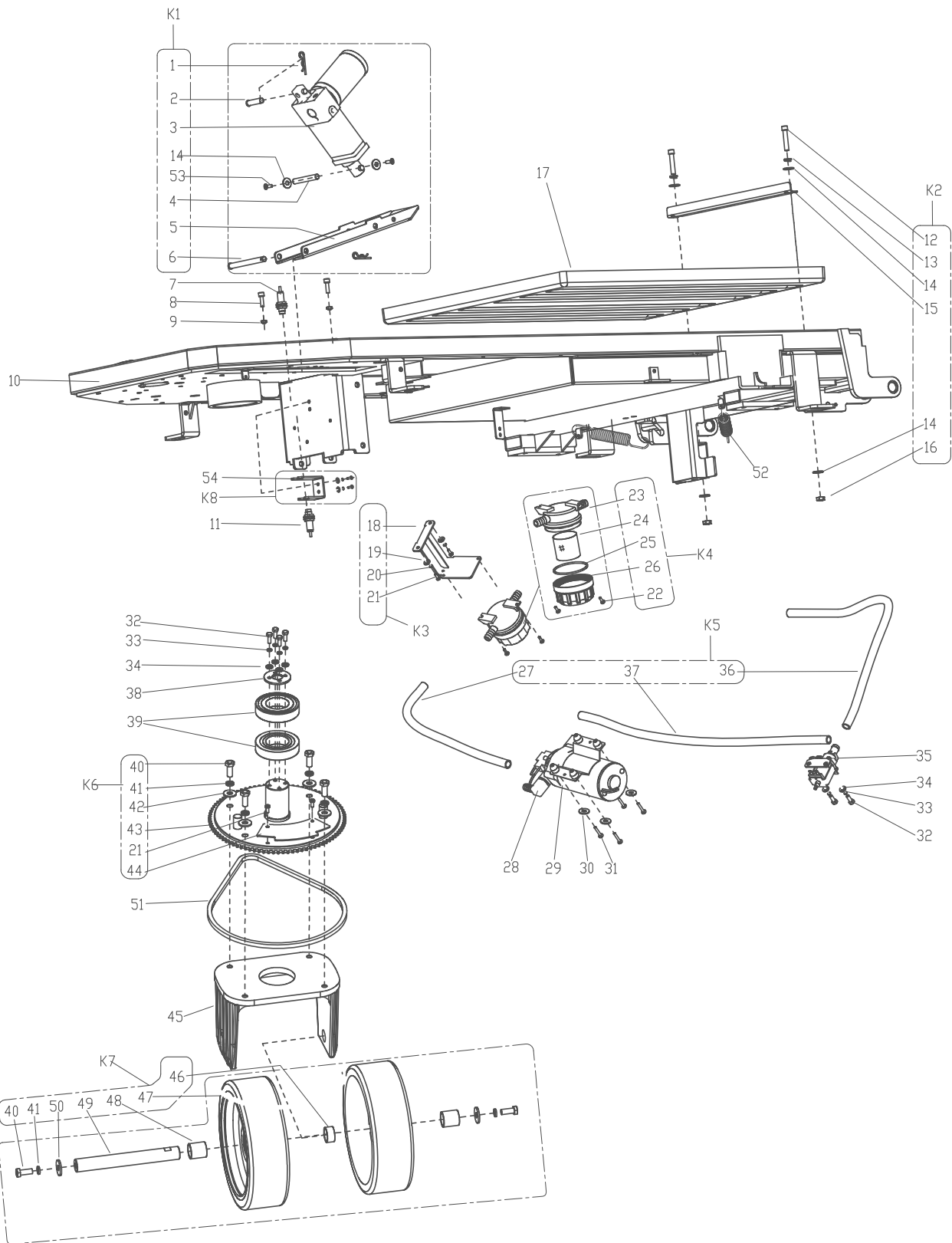
BUMPERS AND OVERHEAD GUARD AND MOP HOLDER

Kit	Item	Part No.	Description	Qty
K1	1	VF14243	SCREW HEX SOC HD M8X45	4
K1/K2/K3/K4	2	VF13519	WASHER SPRING Ø8	26
K1/K2/K3/K4	3	VF13524	WASHER PLAIN Ø8XØ20X2	30
K1	4		RIVET	6
K1	5	VF13614	WASHER PLAIN Ø6.2XØ12.6X1.2	6
K1	6	VA13490	NUT CAP M8	4
K1	7		SUPPORT TOP ROOF LEFT	1
K1	8		PLATE TOP ROOF	1
K1	9		BRACKET TOP ROOF	1
K1	10		SUPPORT TOP ROOF RIGHT	1
K1/K2/K3/K4	11	VV13604	SCREW HEX M8X20	22
K3	12		SCREW HEX HD M8X90	2
K3	13	VR14404	BUMPER WHEEL 2INCH	4
K3	14		BUSHING FLANGE BRASS Ø8.2X Ø10.8X26	4
K3	15		SIDE BUMPSE WELDMENT	2
K3	16	VF14516	NUT LOCK M8	2
K2	17		FRONT BUMPER	1
K4	18	VV13650A	SCREW HEX M4X10	2
K4	19	VF13555	WASHER PLAIN Ø5XØ12X1.5	2
K4	20		MOP HOLDER	1
K4	21		BRACKET MOP HOLDER	1
K4	22		SUPPORT BRACKET MOP	1
K4	23		FIXING SUPPOR BRACKET	1
	K1*	VR41510	OVERHEAD GUARD KIT	1
	K2	VR41148	FRONT BUMPER KIT	1
	K3	VR41147	SIDE BUMPER KIT	2
	K4*	VR41561	MOP HOLD KIT	1

* ____ Optional

PART LISTS

CHASSIS ASSEMBLY



PART LISTS

CHASSIS ASSEMBLY

Kit	Item	Part No.	Description	Qty
K1	1	VS13518	PIN B COTTER D2.5	2
K1	2		PIN CLEVIS BRUSH ACTUATOR Ø10X42	1
K1	3		ACTUATOR BRUSH 36V 2000N	1
K1	4		PIN CLEVIS BRUSH ACTUATOR Ø9.9X36.5	1
K1	5		ARM DECK LIFT	1
K1	6		PIN DECK LIFT ARM	1
	7	VR41951	SENSOR 12V UPPER	1
	8	VF13498	SCREW HEX SOC HD M6X20	2
	9	VF13521	NUT HEX M6	2
	10	VR41101	CHASSIS WELDMENT	1
	11	VR41950	SENSOR 12V LOWER	1
K2	12	VF14258	SCREW HEX SOC HD M8X40	2
K2	13	VF13519	WASHER SPRING Ø8	2
K1/K2	14	VF13524	WASHER PLAIN Ø8XØ20X2	6
K2	15		BRACKET BATTERY	1
K2	16	VF13513	NUT HEX M8	2
	17*	VR41119	TRAY BATTERY	1
K3	18		BRACKET FILTER	1
K3	19		WASHER PLAIN Ø5XØ10X1	2
K3	20	VV13601	WASHER SPRING Ø5	2
K3/K6	21		SCREW PH M5X12	4
K4	22	VV13650A	SCREW PH M4X10	2
K4	23	VF80112	BASE FILTER PLASTIC	1
K4	24	VR41524	FILTER STAINLESS	1
K4	25	VR41523	O-RING SEALING FILTER RUBBER	1
K4	26	VR41522	COVER FILTER PLASTIC	1
K5	27		SOLUTION TUBE F PUMP L440MM	1
	28	VF81403A	ELBOW BRASS F PUMP	2
	29	VR41966	PUMP WATER 24V	1
	30	VA13483	WASHER PLAIN Ø4XØ12.5X1.5	4
	31	VF14070	SCREW PH M4X25	4
	32	VF13495	SCREW HEX M6X16	6
	33	VV13607	WASHER SPRING Ø6	6
	34	VF13533	WASHER PLAIN Ø6XØ16X2	6
	35	VR11600	VALVE SOLENOID 24V	1
K5	36		SOLUTION TUBE F BRUSH DECK L560MM	1

* ____ Optional

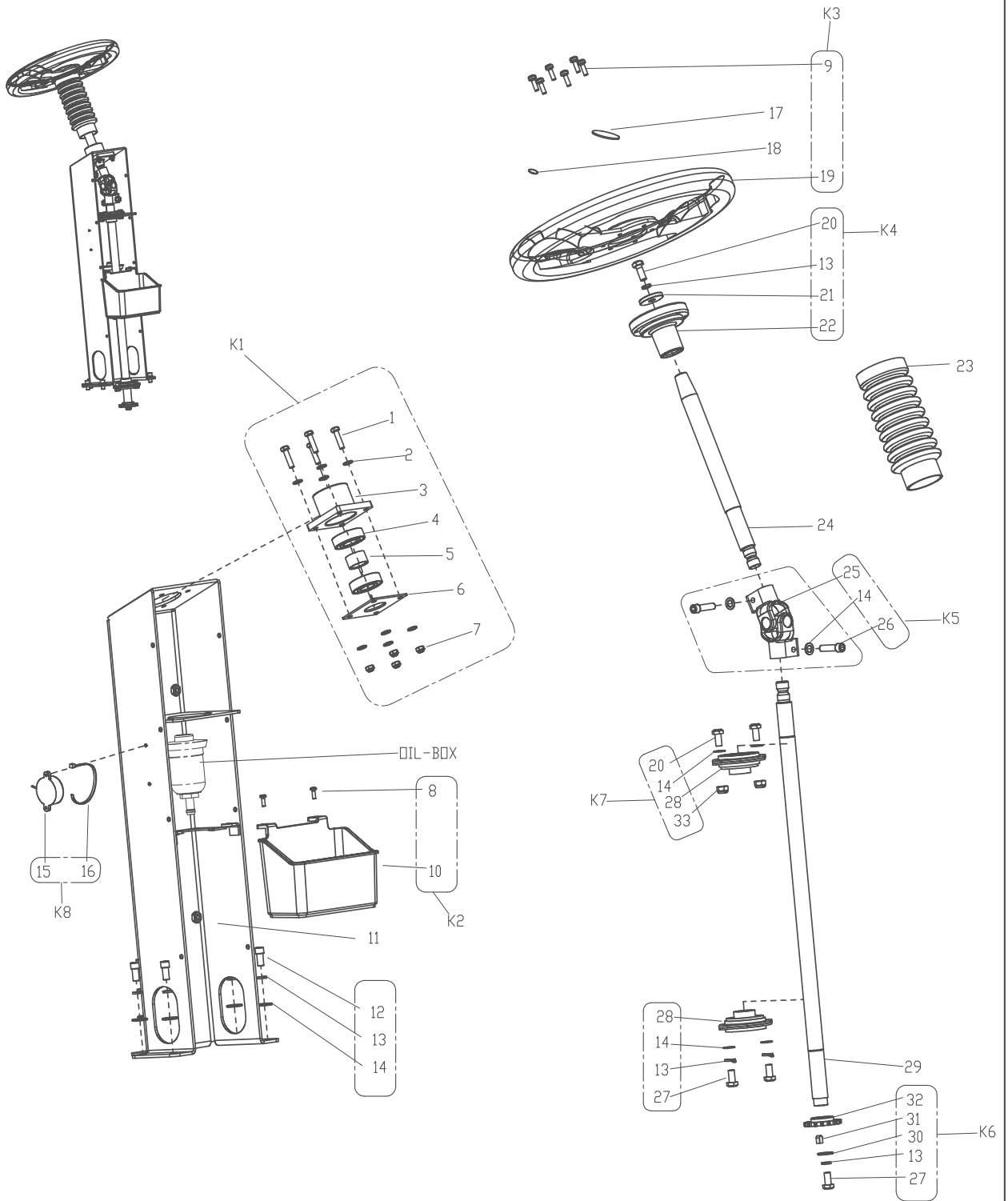
PART LISTS

CHASSIS ASSEMBLY

Kit	Item	Part No.	Description	Qty
K5	37		SOLUTION TUBE F VALVE L720MM	1
	38	VR41109	LIMITED PLATE BEARING	1
	39	VR41108	BEARING 7209AC Ø45XØ85X19	2
K6/K7	40	VF14123	SCREW HEX M10X25	6
K6/K7	41	VF13518	WASHER SPRING Ø10	6
K6	42	VF13537	WASHER PLAIN Ø10XØ25X2	4
K6	43		SPROCKET T87	1
K6	44		METAL PLATE F SENSOR	1
	45	VR41106	BRACKET FRONT WHEEL	1
K7	46		BUSHING Ø25.5XØ30X25	1
K7	47	VR41103	FRONT WHEEL	2
K7	48		BUSHING Ø25.5XØ30X33.2	2
K7	49	VR41105	SHAFT FRONT WHEEL	1
K7	50	VR41111	WASHER PLAIN Ø10XØ33X3	2
	51	VR41146	CHAIN 9.525 P	1
	52	VR41001	SPRING SQGEE SWING	2
K1	53		SCREW C/SUNK HD M5X10	2
K8	54		BRACKET SENSOR	1
	K1	VR41149	BRUSH ACTUATOR KIT	1
	K2	VR41150	BATTERY BRACKET KIT	1
	K3	VR41152	FILTER BRACKET KIT	1
	K4	VR41528	FILTER KIT	1
	K5	VR41165	SOLUTION TUBE KIT	1
	K6	VR41167	SPROCKET KIT	1
	K7	VR41168	FRONT WHEEL KIT	1
	K8	VR41169	BRACKET SENSOR KIT	1

PART LISTS

FRONT MAIN FRAME ASSEMBLY



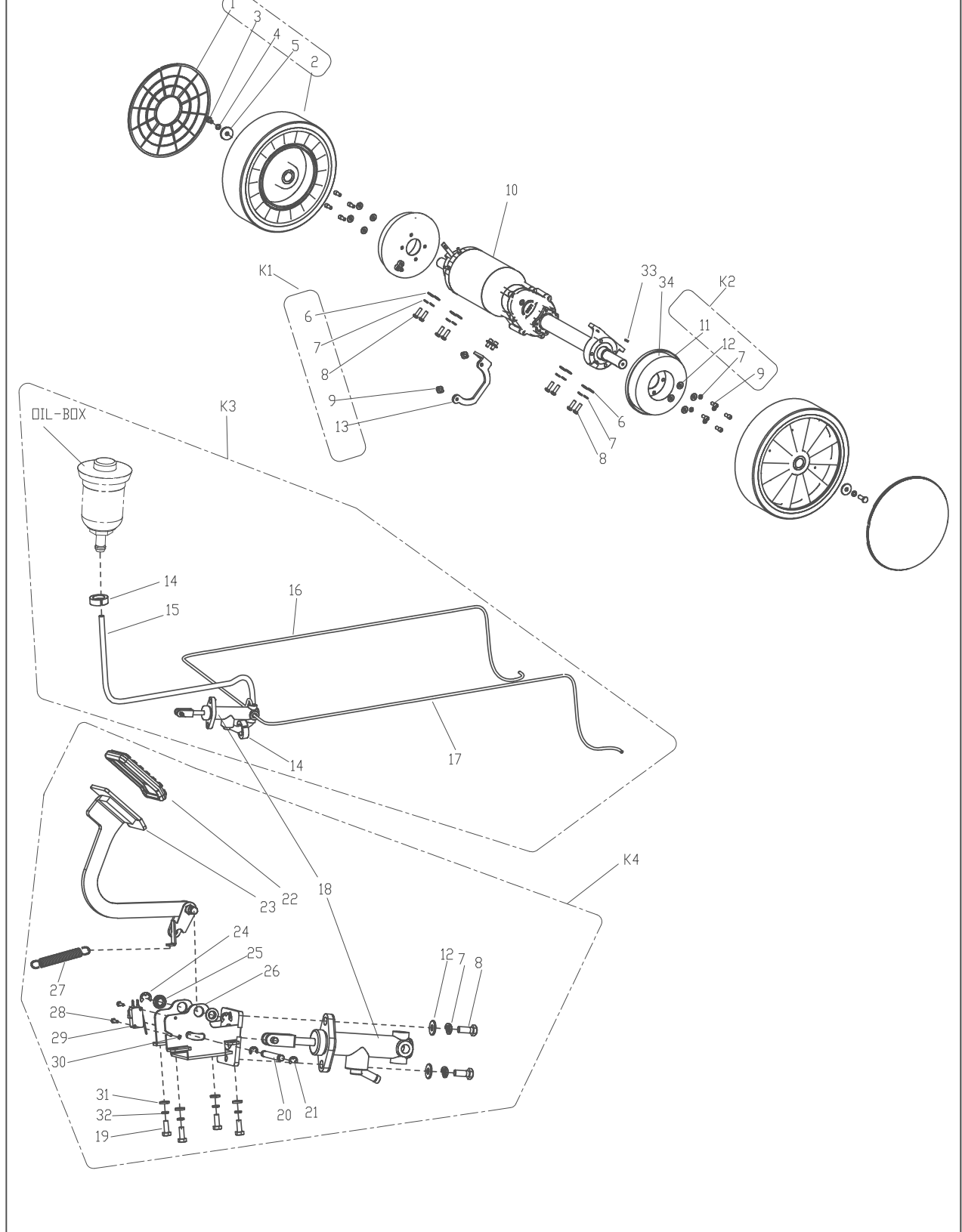
PART LISTS

FRONT MAIN FRAME ASSEMBLY

Kit	Item	Part No.	Description	Qty	
K1	1	VV20058	SCREW HEX M6X25	4	
K1	2	VF13533	WASHER PLAIN Ø6XØ16X2	8	
K1	3	VR12002	BRACKET FIXED BEARING	1	
K1	4	VF14075	BEARING Ø20XØ42X12	2	
K1	5	VR12008	SPACER BUSHING	1	
K1	6	VR12003	PLATE FIXED BEARING	1	
K1	7	VF14506	NUT LOCK M6	4	
K2	8		SCREW HEX SOC HD M5X12	2	
K3	9	VR34031	SCREW PH M5X16 BLACK	6	
K2	10		TOOL BOX STORAGE	1	
	11	VR41403	MAIN FRAME FRONT	1	
	12	VV13656	SCREW HEX SOC HD M8X16	6	
K4/K6	13	VF13519	WASHER SPRING Ø8	10	
K5/K7	14	VF13514A	WASHER PLAIN Ø8.2XØ16X1.5	6	
K8	15	VR12014	BUZZER 12V	1	
K8	16	RD20652	TIE NYLON	1	
	17		OVAL LOGO STEERING WHEEL	1	
	18		CIRCULAR LOGO STEERING WHEEL	1	
K3	19		STEERING WHEEL	1	
K4/K7	20	VA13491	SCREW HEX M8X25	3	
K4	21	VF82058	WASHER PLAIN Ø8.2XØ32X4	1	
K4	22	VR10034	LOCK BLOCK STEERING WHEEL	1	
	23	VR34014	SHEATH RUBBER	1	
	24	VR41404	SHAFT STEERING WHEEL UPPER	1	
K5	25		UNIVERSAL JOINT	1	
K5	26	VF14251	SCREW HEX SOC HD M8X30	2	
K6	27	VV13604	SCREW HEX M8X20	3	
K7	28	VR11006	BEARING UBPEL204 Ø20	2	
	29	VR41141	SHAFT STEERING WHEEL LOWER	1	
K6	30	VF13524	WASHER PLAIN Ø8XØ20X2	1	
K6	31		KEY SQUARE	1	
K6	32		SPROCKET T15	1	
K7	33	VF14516	NUT LOCK M8	2	
		K1	VR24071	BEARING BASE KIT	1
		K2	VR41430	STORAGE BOX KIT	1
		K3	VR34041	STEERING WHEEL KIT	1
		K4	VR24085	STEERING WHEEL LOCK KIT	1
		K5	VR41431	UNIVERSAL JOINT KIT	1
		K6	VR41432	SPROCKET KIT	1
		K7	VR41171	BEARING UPPER KIT	1
		K8	VR34052	BUZZER KIT	1

PART LISTS

DRIVE WHEEL AND MECHANICAL BRAKE ASSEMBLY



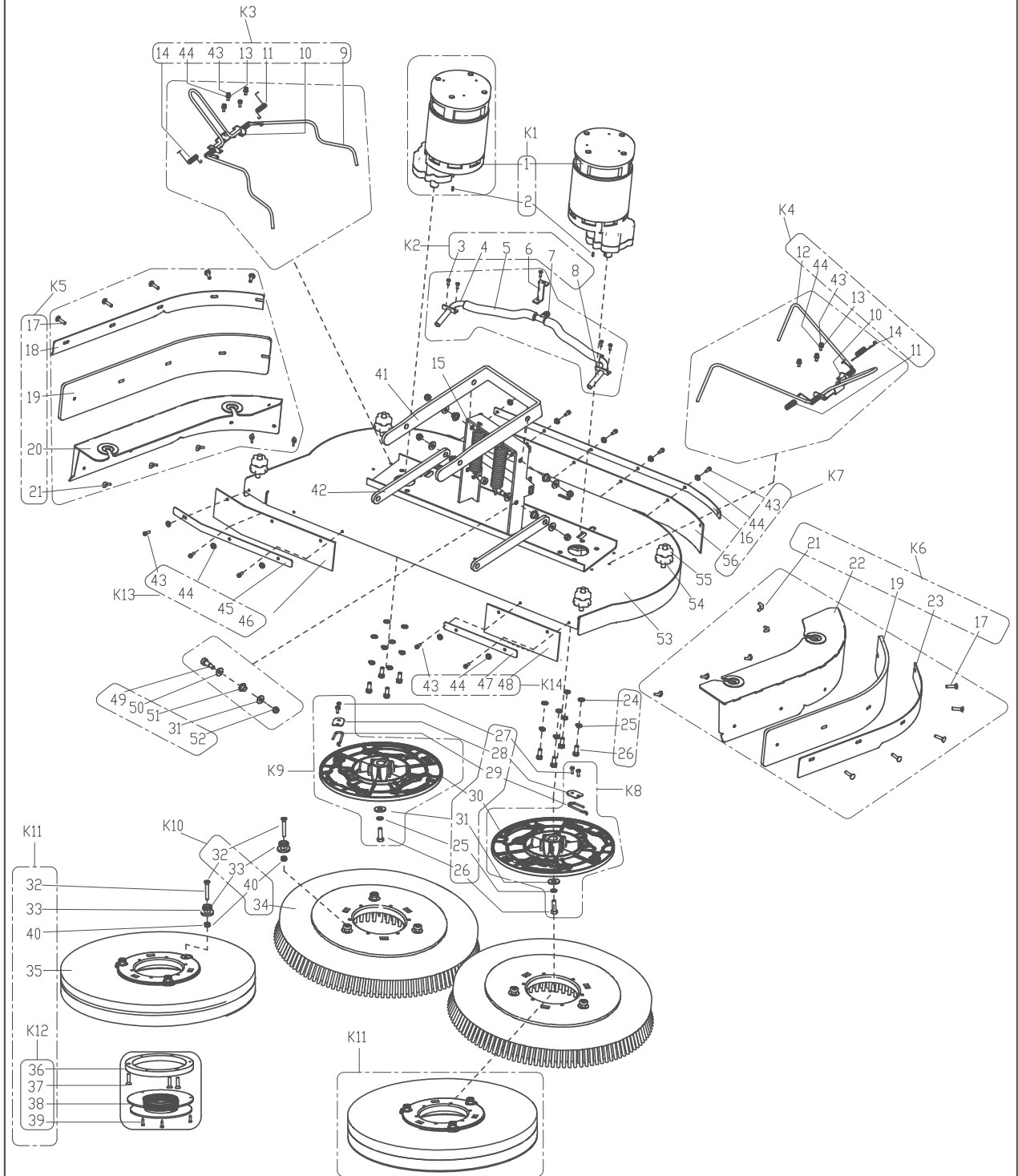
PART LISTS

DRIVE WHEEL AND MECHANICAL BRAKE ASSEMBLY

Kit	Item	Part No.	Description	Qty
	1		COVER REAR WHEEL	2
	2	VR41116	DRIVE WHEEL	2
	3	VF14123	SCREW HEX M10X25	2
	4	VF13518	WASHER SPRING Ø10	2
	5	VR41111	WASHER PLAIN Ø10XØ33X3	2
K1	6	VF13514A	WASHER PLAIN Ø8.2XØ16X1.5	10
K1/K2/K4	7	VF13519	WASHER SPRING Ø8	18
K1/K4	8	VA13491	SCREW HEX M8X25	10
K1/K2	9		SCREW HEX SOC HD M8X16	10
	10	VR41900	DRIVE MOTOR 36V 1100W	1
K2	11		MECHANICAL BRAKE	2
K2/K4	12	VF13524	WASHER PLAIN Ø8XØ20X2	10
K1	13		BRACKET DRIVE MOTOR	1
K3	14	VV10114	CLAMP Ø10-Ø16	2
K3	15		OIL TUBE RUBBER	1
K3	16		OIL PIPE BRASS RIGHT	1
K3	17		OIL PIPE BRASS LEFT	1
K3	18	VR41122-1	BRAKE PUMP OIL	1
K4	19	VF13495	SCREW HEX M6X16	4
K4	20	VR41140	PIN Ø8X67.5	1
K4	21		E-RING Ø6	2
K4	22	VR41125	COVER RUBBER F BRAKE PEDAL	1
K4	23	VR41123	BRAKE PEDAL	1
K4	24	VF14120	E-RING Ø8	2
K4	25	VR41117	BUSHING Ø10.2XØ14X6 BRASS	2
K4	26	VR41121	BRACKET BRAKE PUMP	1
K4	27	VR41139	SPRING BRAKE PUMP	1
K4	28		SCREW HEX M3X14	2
K4	29	VR12005	MICRO-SWITCH	1
K4	30		NUT LOCK M3	2
K4	31	VF13614	WASHER PLAIN Ø6.2XØ12X1.2	4
K4	32	VV13607	WASHER SPRING Ø6	4
	33	VR41969	KEY SQUARE F DRIVE MOTOR	2
	34	VR41138	BRAKE PADS	2
	K1	VR41155	LOCK DRIVE MOTOR KIT	2
	K2	VR41156	MECHANICAL BRAKE KIT	2
	K3	VR41122	BRAKE PUMP OIL KIT	1
	K4	VR41120	BRAKE PEDAL KIT	1

PART LISTS

BRUSH ASSEMBLY



PART LISTS

BRUSH ASSEMBLY

Kit	Item	Part No.	Description	Qty
K1	1		BRUSH MOTOR 36V 750W	2
K1	2	ZD45407	KEY SQUARE	2
K2	3	VV13650A	SCREW PH M4X10	5
K2	4		PIPE RIGHT STAINLESS	1
K2	5		DRAIN TUBE CONNECTION	2
K2	6		CLAMP THREE-WAY TUBE JOINT	1
K2	7	VF82040	THREE-WAY TUBE JOINT	1
K2	8		PIPE LEFT STAINLESS	1
K3	9		CLAMP CLICK-ON BRUSH RIGHT	1
K3/K4	10		BRACKET CLAMP CLICK-ON BRUSH	2
K3/K4	11		SPRING TORSION Ø1.8 RIGHT	2
K4	12		CLAMP CLICK-ON BRUSH LEFT	1
K3/K4	13	VV13601	WASHER SPRING Ø5	6
K3/K4	14		SPRING TORSION Ø1.8 LEFT	2
	15	VR41224	SPRING TENSION	2
K7	16	VR41220	STRAP SKIRT REAR STAINLESS	1
K5/K6	17		SCREW CARRIAGE M6X25	10
K5	18	VR41249	STRAP SIDE BLADE RIGHT STAINLESS	1
K5/K6	19	VR41206	SIDE BLADE RUBBER NR	2
		VR41206LX	SIDE BLADE RUBBER LINATEX	2
K5	20		BRACKET SIDE BLADE RIGHT	1
K5/K6	21	VF14101	NUT BUTTERFLY M6	10
K6	22		BRACKET SIDE BLADE LEFT	1
K6	23	VR41256	STRAP SIDE BLADE LEFT	1
	24	VF13514A	WASHER PLAIN Ø8.2XØ16X1.5	8
K8/K9	25	VF13519	WASHER SPRING Ø8	10
K8/K9	26	VV13604	SCREW HEX M8X20	10
K8/K9	27	VF13545	SCREW TAPPING ST5X12	4
K8/K9	28	VR35006	PLATE CLAMP SPRING	2
K8/K9	29		CLAMP SPRING	2
K8/K9	30	VS14319	BRUSH PLATE	2
K8/K9	31	VF13542	WASHER PALIN Ø8XØ26X2	10
K10/K11	32	VF14225A	SCREW C/SUNK M6X40	6
K10/K11	33	VF83133	BRUSH STUD	6
K10	34		BRUSH 20INCH PP BLACK	2
K11	35		PAD HOLDER 20INCH	2
K11/K12	36	VF83118	SPACER	2
K11/K12	37		SCREW TAPPING ST6.5X30	6

PART LISTS

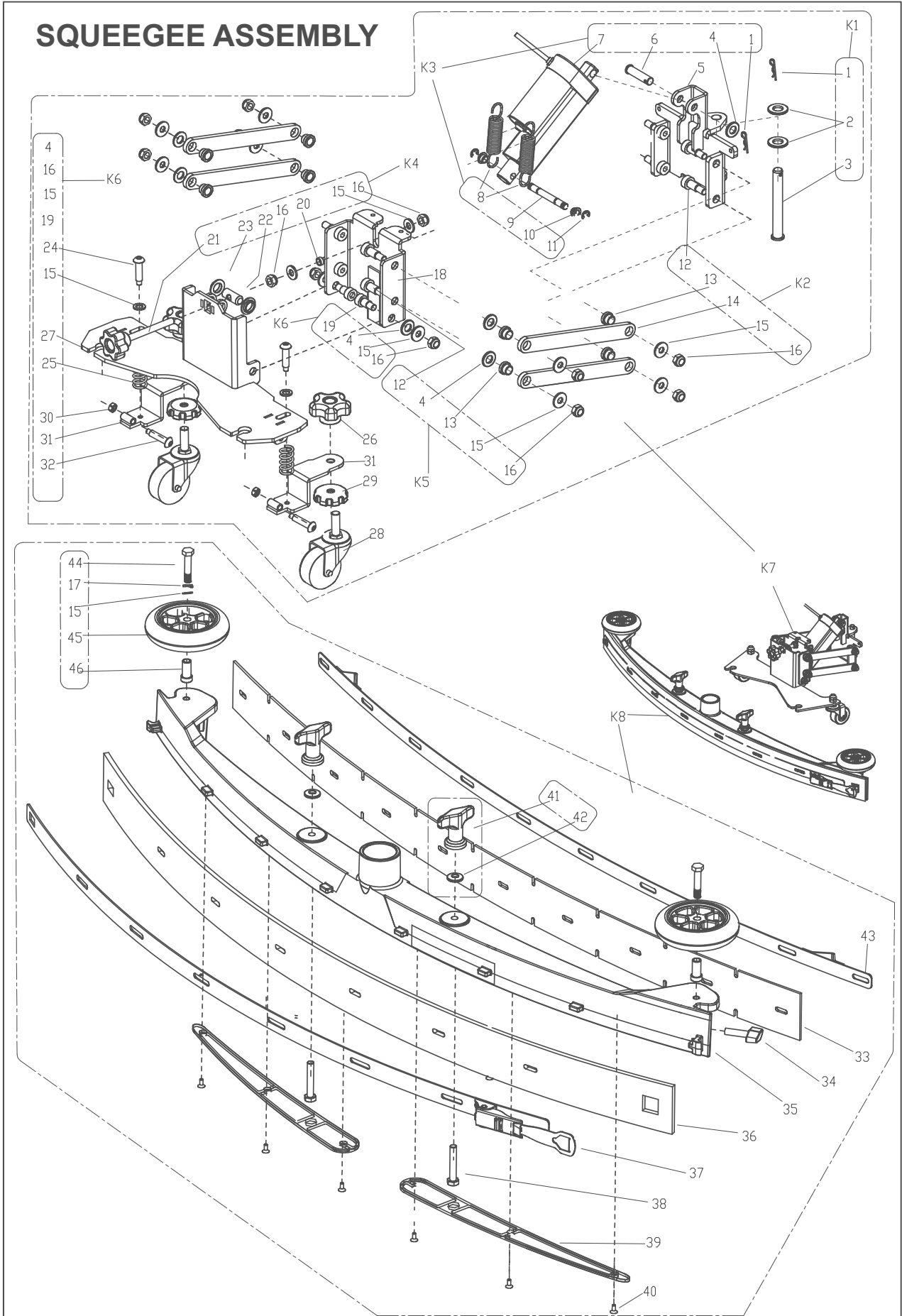
BRUSH ASSEMBLY

Kit	Item	Part No.	Description	Qty
K11/K12	38	VF99003A	RETAINER PAD	2
K11/K12	39	VA13477	SCREW TAPPING ST4X15	6
K10/K11	40		LOCKNUT M6	6
	41	VR41229	ARM U-SHAPED DECK UPPER	1
	42	VR41228	ARM U-SHAPED DECK DOWN	1
K3/K4/K7/ K13/K14	43		SCREW HEX SOC HD M5X12	18
K3/K4/K7/ K13/K14	44		WASHER PLAIN Ø5XØ10X1	12
K13	45	VR41219	STRAP SKIRT FRONT RIGHT	1
K13	46	VR41216	SKIRT FRONT RIGHT	1
K14	47	VR41218	STRAP SKIRT FRONT LEFT	1
K14	48	VR41217	SKIRT FRONT LEFT	1
	49	VF80355A	SCREW HEX SOC HD Ø10X16XM8	8
	50	VF14122	WASHER PLAIN Ø10XØ20X2	8
	51	VR41230	BUSHING BRASS	8
	52	VF14516	NUT LOCK M8	8
	53	VR41201	BRUSH DECK WELDMENT	1
	54	VR41232	KNOB NUT M10 H12	4
	55	VR41226	KNOB NUT M10 H28	4
K7	56	VR41215	SKIRT REAR RUBBER	1
	K1	VR41903	BRUSH MOTOR 36V 750W	2
	K2	VR41202	TUBE F BRUSH KIT	1
	K3	VR41203	CLAMP CLICK-ON BRUSH RIGHT KIT	1
	K4	VR41204	CLAMP CLICK-ON BRUSH LEFT KIT	1
	K5	VR41212	SIDE SKIRT ASSY RIGHT NR KIT	1
	K6	VR41208	SIDE SKIRT ASSY LEFT NR KIT	1
	K7	VR41271	REAR SKIRT MOUNTING KIT	1
	K8	VR41225	BRUSH PLATE LEFT KIT	1
	K9	VR41214	BRUSH PLATE RIGHT KIT	1
	K10	VF82056	BRUSH 510MM 20IN MEDIUM	2
	K10*	VR41275	BRUSH 510MM 20IN 180GRIT HARD	2
	K10*	VF82056C	BRUSH 510MM 20IN SOFT	2
	K11	VF82057	PAD HOLDER KIT	2
	K12	VS10131	RETAINER KIT	2
	K13	VR41272	FRONT SKIRT RIGHT MOUNTING KIT	1
	K14	VR41273	FRONT SKIRT LEFT MOUNTING KIT	1

* ____ Optional

PART LISTS

SQUEEGEE ASSEMBLY



PART LISTS

SQUEEGEE ASSEMBLY

Kit	Item	Part No.	Description	Qty
K1/K3	1	VS13518	PIN B COTTER D2.5	2
K1	2	VF13539	WASHER PLAIN Ø13XØ32X2	2
K1	3		PIN SQUEEGEE SWING	1
K3/K5/K6	4	VF14122	WASHER PLAIN Ø10XØ20X2	7
	5	VR41301	BRACKET SQUEEGEE SWING	1
K3	6		PIN SQGEE ACTUATOR Ø10X42	1
K3	7		ACTUATOR SQUEEGEE 36V 1000N	1
K3	8	VR41311	SPRING TENSION	2
K3	9		PIN SQGEE ACTUATOR Ø7.9X70	1
K3	10		BUSHING BRASS Ø10XØ8X6	2
K3	11		E-RING Ø6	2
K2/K5	12	VF80355A	SCREW Ø10X16XM8	8
K2/K5	13		BUSHING BRASS Ø12XØ10.1X10.2	8
K2	14		ARM SQUEEGEE	4
K2/K4/K5/K6 /K8	15	VF13524	WASHER PLAIN Ø8XØ20X2	14
K2/K4/K5/K6	16	VF14516	NUT LOCK M8	12
K8	17	VF13519	WASHER SPRING Ø8	2
	18	VR41303	BRACKET SQUEEGEE ADJUST	1
K6	19	VF84228	SCREW HEX SOC HD Ø10X11.5XM8	2
K4	20		BUSHING Ø8XØ10X4.5	1
K4	21		KNOB SCREW M8X75	1
K4	22	VF85103	PIN Ø12X30	1
K4	23	VR11413	SPACER RING	2
K6	24		SCREW HEX SOC HD Ø8X38XM6	2
K6	25		SPRING CASTER WHEEL	2
	26	VR41226	KNOB NUT M10 H28	2
K6	27	VR41304	PLATE SQUEEGEE CONNECTION	1
	28	VR41305	CASTER WHEEL 2INCH	2
	29	VR41232	KNOB NUT M10 H12	2
K6	30		NUT LOCK M6	4
K6	31	VR41315	BRACKET CASTER WHEEL	2
K6	32	VA13479	SCREW HEX M6X30	2
K8	33*	VR41322	BLADE SQGEE FRONT NR L1140MM	1
		VR41322LX	BLADE SQGEE FRONT LINATEX L1140MM	1
		VR41322PU	BLADE SQGEE FRONT PU L1140MM	1
		VR41342LX	FRONT BLADE F DUAL MOTOR L1140MM LX	1
K8	34	VF85420	KNOB SCREW M8X30	2
K8	35	VR41321	SQUEEGEE HOUSING AL	1

PART LISTS

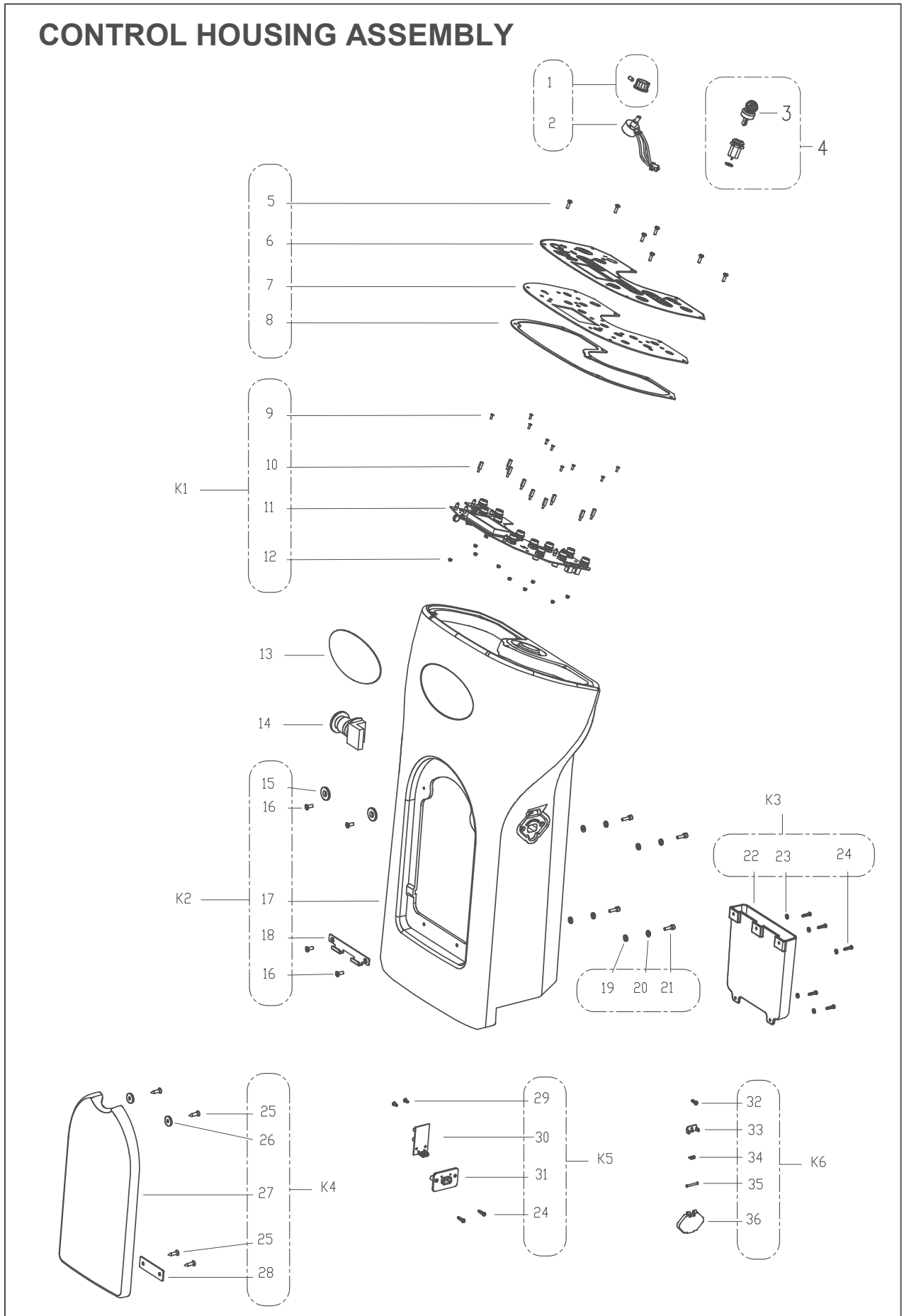
SQUEEGEE ASSEMBLY

Kit	Item	Part No.	Description	Qty
K8	36*	VR41323	BLADE SQGEE REAR NR L1171.5MM	1
		VR41323LX	BLADE SQGEE REAR LINATEX L1171.5MM	1
		VR41323PU	BLADE SQGEE REAR PU L1171.5MM	1
K8	37	VR41333	STRAP SQUEEGEE REAR	1
K8	38		SCREW HEX M8X70	2
K8	39	VR41328	COVER SQUEEGEE PLASTIC	1
K8	40	VF13650	SCREW C/SUNK M4X10	6
K8	41	VR36012	KNOB NUT M8	2
K8	42	VR41326	SLEEVE TAPER BRASS	2
K8	43	VR41325	STRAP SQUEEGEE FRONT	1
K8	44	VF13635	SCREW HEX M8X50	2
K8	45	VR14404	BUMPER WHEEL	2
K8	46	VR16004	BUSHING BRASS	2
	K1	VR41334	PIN SQUEEGEE SWING KIT	1
	K2	VR41335	ARM SQUEEGEE LIFT FRONT KIT	4
	K3	VR41336	ACTUATOR SQUEEGEE KIT	1
	K4	VR41337	ADJUST SQUEEGEE SCREW KIT	1
	K5	VR41338	ARM SQUEEGEE LIFT REAR KIT	4
	K6	VR41339	PLATE SQUEEGEE CONNECTION KIT	1
	K7	VR41340	BRACKET SQUEEGEE KIT	1
	K8	VR41341	SQUEEGEE KIT L1130MM / 44.5INCHES	1

* _____ Optional

PART LISTS

CONTROL HOUSING ASSEMBLY



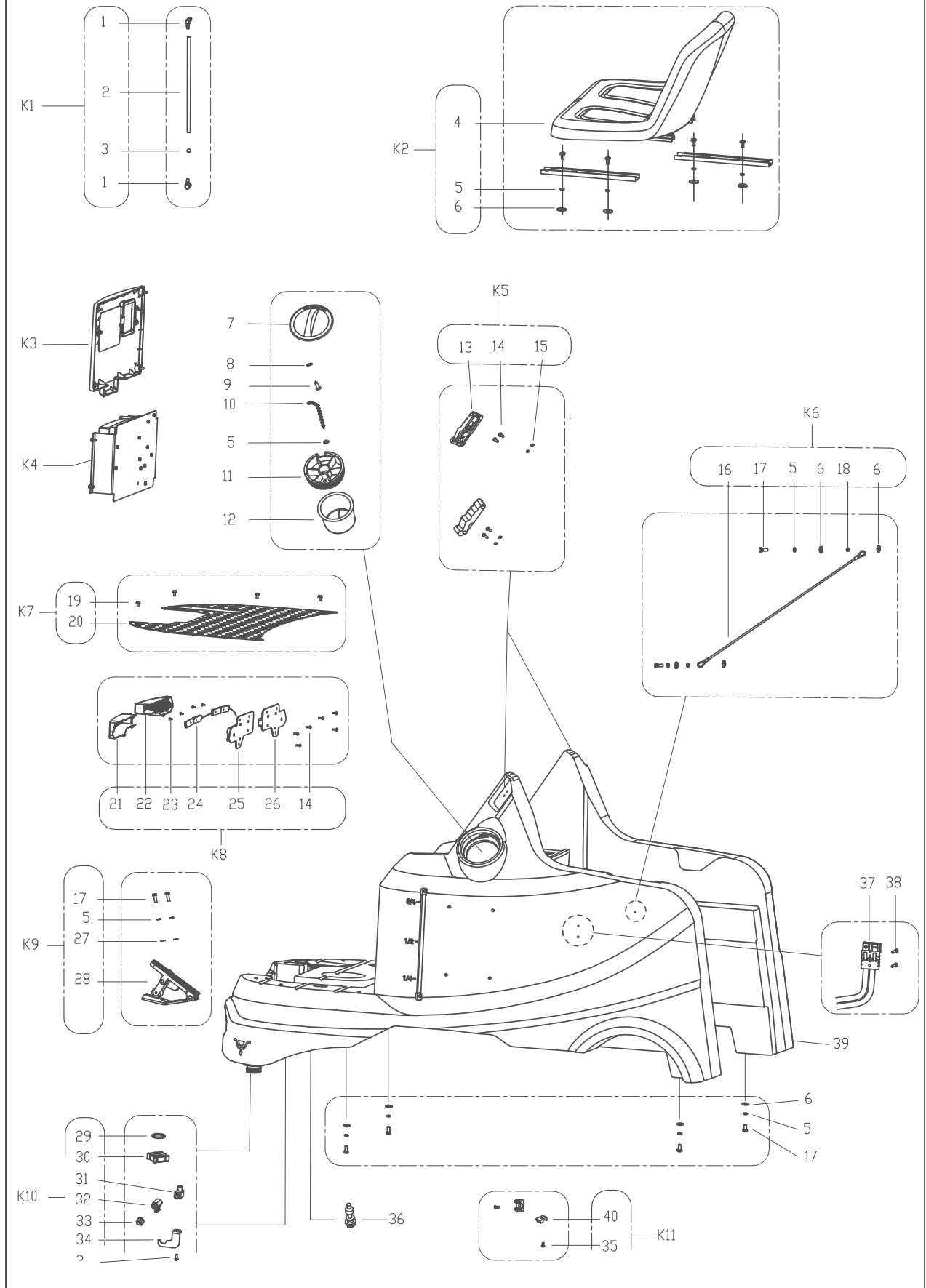
PART LISTS

CONTROL HOUSING ASSEMBLY

Kit	Item	Part No.	Description	Qty
	1	VF81730	KNOB POTENTIOMETER	1
	2	VR41921	COMPONENT POTENTIOMETER	1
	3	1462887000	KEY	1
	4	9100001354	IGNITION KEY	1
	5	VV13650A	SCREW PH M4X10 SS	7
	6	VR41406	STICKER PANEL	1
	7	VR41407	BRACKET PANEL	1
	8	VR41421	GASKET PANEL EVA	1
K1	9		SCREW C/SUNK HD M3X8	9
K1	10		COLUMN SPACER PCB	9
K1	11		PCB MAIN CONTROL	1
K1	12		NUT LOCK M3	9
	13		LABEL LOGO	1
	14	VR41933	EMERGENCY SWITCH	1
K2	15		WASHER PLAIN C/SUNK HD	2
K2	16		SCREW C/SUNK HD M5X10	4
K2	17		HOUSING CONTROL	1
K2	18	VR41417	SUPPORT BRACKET COVER	1
K2	19	VF13614	WASHER PLAIN Ø6.2XØ12X1.2	4
K2	20	VV13607	WASHER SPRING Ø6	4
K2	21	VF13498	SCREW HEX SOC HD M6X20	4
K3	22		BAG MOBILE PHONE	1
K3	23	VV13664	WASHER PLAIN Ø4XØ12X1	5
K3/K5	24	VA13477	SCREW SELF TAPPING ST4X15	7
K4	25		SCREW SELF TAPPING ST5X12	4
K4	26		MAGNET	2
K4	27		COVER CONTROL HOUSING	1
K4	28		PLATE LIMITED COVER	1
K5	29		SCREW SELF TAPPING PH M3 X 11	2
K5	30		PCB USB	1
K5	31		PLATE USB FIXED	1
K6	32		SCREW SELF TAPPING PH ST3X8	1
K6	33		USB BRIDGE	1
K6	34		SPRING TORSION	1
K6	35		SHAFT	1
K6	36		COVER POWER SUPPLY	1
	K1	VR41423	PCB MAIN CONTROL KIT	1
	K2	VR41424	CONTROL HOUSING KIT	1
	K3	VR34050	PHONE STORAGE KIT	1
	K4	VR41425	COVER CONTROL HOUSING KIT	1
	K5	VR41426	PCB USB KIT	1
	K6	VR15200	COVER USB KIT	1

PART LISTS

SOLUTION TANK ASSEMBLY



PART LISTS

SOLUTION TANK ASSEMBLY

Kit	Item	Part No.	Description	Qty
K1	1	RD60764	ELBOW PLASTIC	2
K1	2		WATER LEVEL HOSE SOLUTION	1
K1	3	VF90613	FLOATING BALL WATER LEVEL	1
K2	4		SEAT WITH SAFETY SWITCH KIT	1
K2/K5/K7/K10/K13	5	VF13519	WASHER SPRING Ø8	13
K2/K7/K13	6	VF13524	WASHER PLAIN Ø8XØ20X2	10
	7	VR41520	COVER FILTER	1
	8	VV13664	WASHER PLAIN Ø4XØ12X1	1
	9	VF90616	SCREW SELF TAPPING ST3.5X12	1
	10	VR41516	CHAIN SS	1
	11	VR41518	HOLDER TUBE	1
	12	VR41519	SUPPORT FILTER	1
K5	13		LATCH	2
K5/K9	14	VV13650A	SCREW PH M4X10 SS	10
K5	15		WASHER SPRING Ø4	4
K6	16	VR41509	CABLE RECOVERY TANK TURNING	1
K6/K10	17	VA13491	SCREW HEX M8X25	8
K6	18		SLEEVE Ø8.1XØ10.2X4.5	2
K7	19		SCREW WITH WASHER M5X10	4
K7	20		PLATE ANTI-SKID	1
K8	21		COVER LED LAMP LEFT	1
K8	22		COVER LED LAMP RIGHT	1
K8	23		SCREW SELF TAPPING PH ST3X8	4
K8	24	VR41930	LED LIGHT	1
K8	25		HOLDER LED LAMP LEFT	1
K8	26		HOLDER LED LAMP RIGHT	1
K9	27	VF13514A	WASHER PLAIN Ø8XØ16.5X1	2
K9	28		SPEED CONTROL PEDAL	1
K10	29	VF90513	SEALING SI	1
K10	30	VF90507	COVER OUTLET	1
K10	31	VF90609	ELBOW BRASS	1
K10	32	VF80361	VALVE SOLUTION SHUT-OFF	1
K10	33	VF80313	CONNECTOR	1
K10	34		BRACKET SHUT-OFF VALVE	1
K10/K11	35		SCREW PH M5X12	3
	36	VR41952	SWITCH SOLUTION TANK EMPTY	1

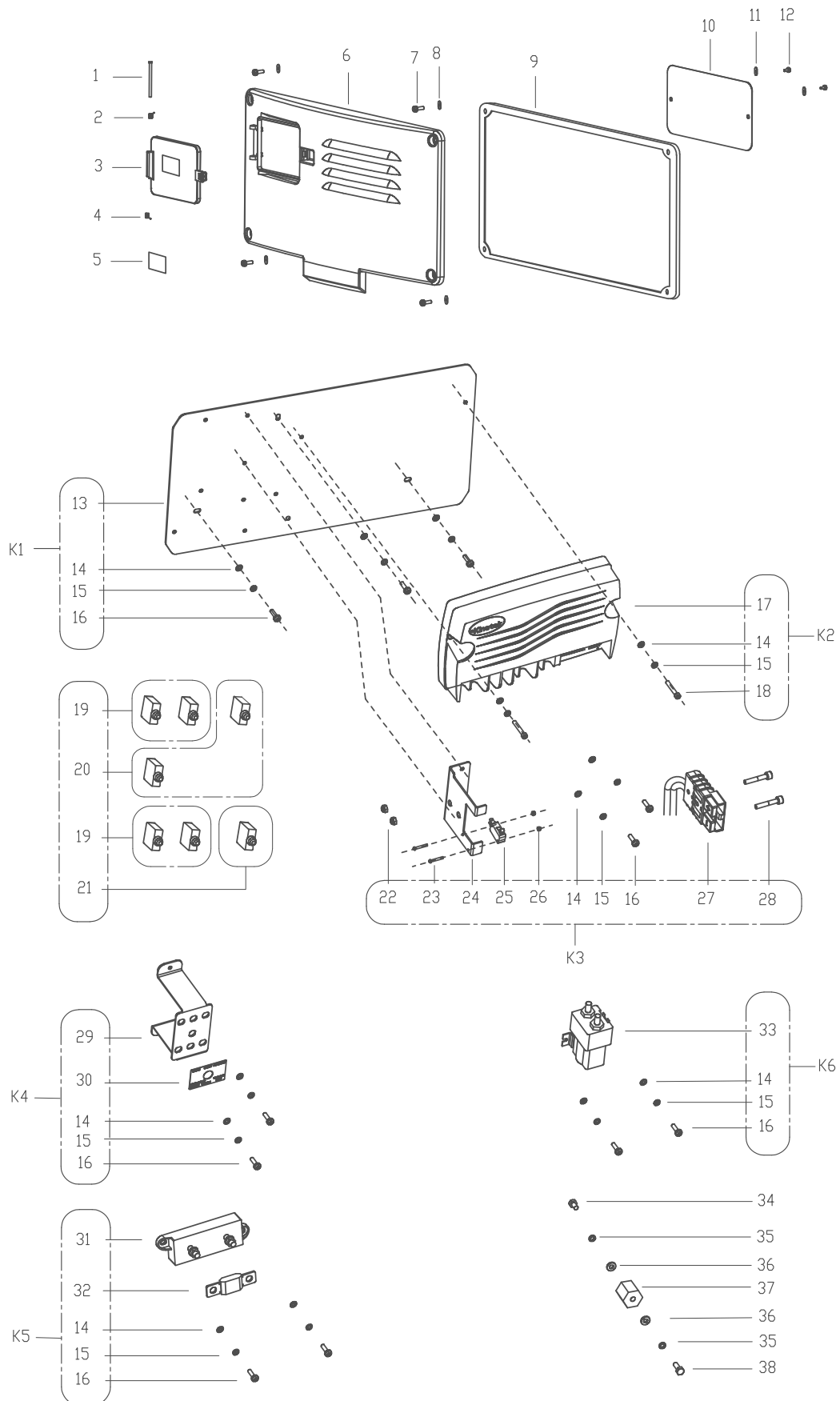
PART LISTS

RECOVERY TANK ASSEMBLY

Kit	Item	Part No.	Description	Qty
	37		BATTERY WIRE KIT	1
	38	VF13633	SCREW HEX SOC HD M6X35	2
	39	VR41515	SOLUTION TANK 200L GREY DARK	1
K11	40		WIRE CLAMP	2
	K1	VR41540	WATER LEVEL PIPE KIT	1
	K2	VR41541	SEAT WITH SAFETY SWITCH KIT	1
	K3	VR41542	LID ELECTRIC BOX KIT	1
	K4	VR41543	ELECTRIC CONTROL KIT	1
	K5	VR41545	LATCH KIT	2
	K6	VR41546	TANK TRUNING CABLE KIT	1
	K7	VR41547	ANTI-SKID PLATE KIT	1
	K8	VR41548	LED LIGHT KIT	1
	K9	VR13002	ACCELERATOR PEDAL	1
	K10	VR17604	WATER ADJUSTMENT KIT	1
	K11	VR41560	WIRE CLAMP KIT	1

PART LISTS

ELECTRIC PARTS ASSEMBLY



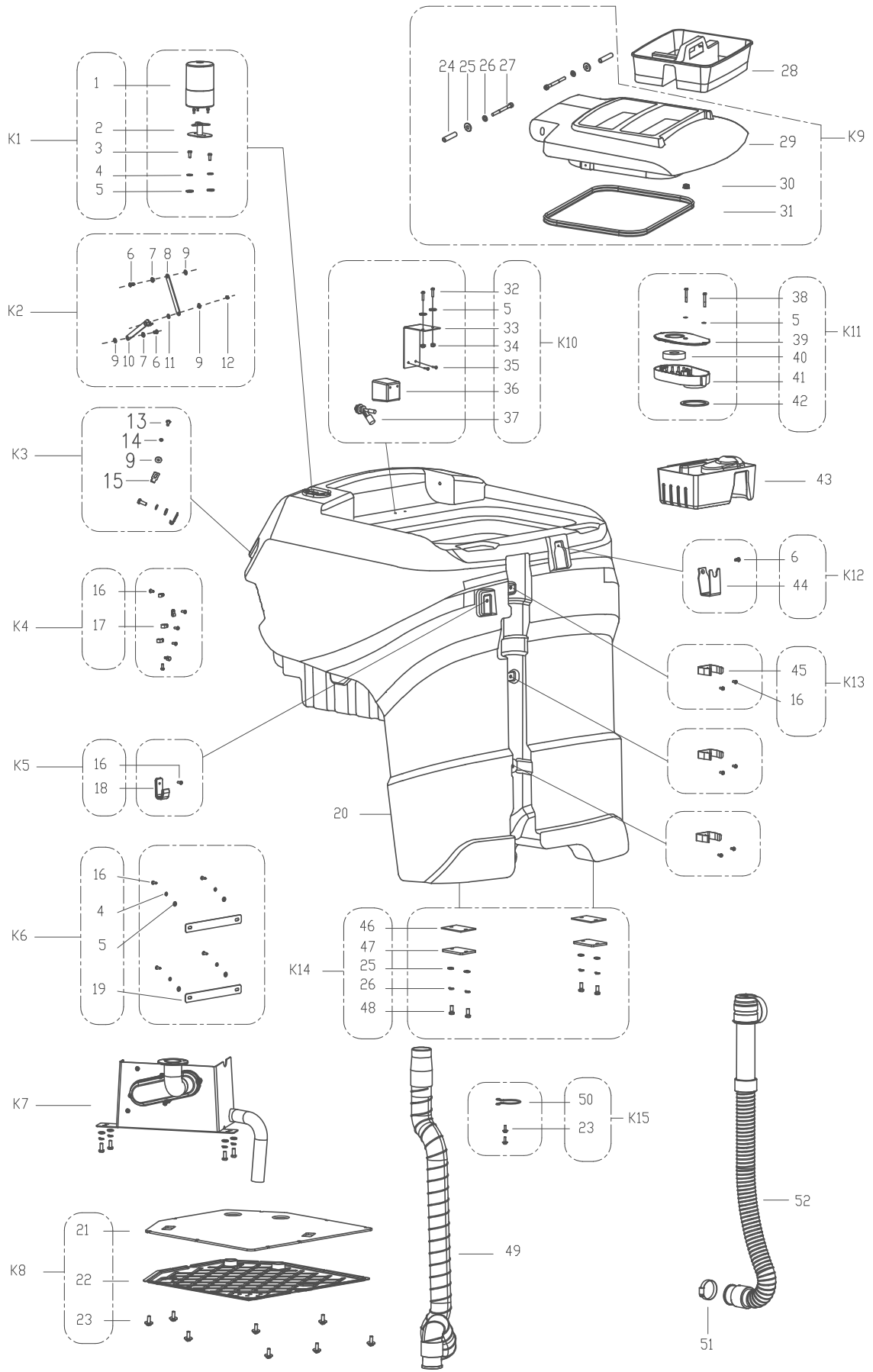
PART LISTS

ELECTRIC PARTS ASSEMBLY

Kit	Item	Part No.	Description	Qty
	1	VR31063	PIN LID	1
	2	VR13106	SPRING TORSION UPPER	1
	3	VR31008	LID CHARGING SOCKET	1
	4	VR13104	SPRING TORSION LOWER	1
	5		LABEL CHARGING SOCKET	1
	6	VR41506	LID MAIN CONTROLLER	1
	7	VA13474	SCREW PH M5X16	4
	8	VF13532	WASHER PLAIN Ø5XØ11X2	4
	9	VR41536	GASKET EVA	1
	10	VR41508	BOARD WATERPROOF	1
	11	VF13533	WASHER PLAIN SSØ6.2XØ16X2	2
	12	VA50527	SCREW PH ST3.5X8	2
K1	13		PLATE ELECTRIC PARTS FIXED	1
K1/K2/K3/K4/K5/K6	14		WASHER PLAIN Ø5XØ10X1	13
K1/K2/K3/K4/K5/K6	15	VV13601	WASHER SPRING Ø5	13
K1/K3/K4/K5/K6	16		SCREW PH M5X12	11
K2	17		MAIN CONTROLLER	1
K2	18		SCREW PH M5X30	2
	19	VR41912	CIRCUIT BREAKER 30A	4
	20	VR37039	CIRCUIT BREAKER 3A	2
	21	VF90747	CIRCUIT BREAKER 5A	1
K3	22		NUT LOCK M6	2
K3	23	VF14244	SCREW PH M3X20	2
K3	24	VR41531	PLATE CHARGING SOCKET FIXED	1
K3	25	VF85507	MICO-SWITCH	1
K3	26		NUT LOCK M3	2
K3	27	VR41940	CHARGING CONNECTOR 175A GREY	1
K3	28	VF13633	SCREW HEX SOC HD M6X35	2
K4	29		BRACKET FUSE	1
K4	30		LABEL FUSE	1
K5	31	VS14214	HOLDER FUSE	1
K5	32	VR41915	FUSE 200A/DC 70V	1
K6	33		DC CONTACTOR SW80-999P 24V 125A	1
	34	VF14232	SCREW HEX M6X10	1
	35	VV13607	WASHER SPRING Ø6	2
	36	VF13533	WASHER PLAIN Ø6.2XØ16X2	2
	37	VR13449	POLE CONNECT WIRE	1
	38	VF13495	SCREW HEX M6X16	1
	K1	VR41563	ELECTRIC PARTS FIXED PLATE KIT	1
	K2	VR41564	MAIN CONTROLLER KIT	1
	K3	VR41556	CHARGING SOCKET FIXED KIT	1
	K4	VR41557	FIXED BRACKET KIT	1
	K5	VR41558	FUSE KIT	1
	K6	VR41559	DC CONTACTOR KIT	1

PART LISTS

RECOVERY TANK ASSEMBLY



PART LISTS

RECOVERY TANK ASSEMBLY

Kit	Item	Part No.	Description	Qty
K1	1		WARNING LIGHT	1
K1	2		BRACKET WARNING LIGHT	1
K1	3	VF14230	SCREW HEX M5X16	2
K1/K6	4	VV13601	WASHER SPRING Ø5	6
K1/K6/K10/K11	5		WASHER PLAIN Ø5XØ10X1	10
K2/K12	6	VV13605	SCREW C/SUNK PH M6X16	3
K2	7		SLEEVE Ø16X5	2
K2	8		SUPPORT TANK LID TURNING UPPER	1
K2/K3	9	VF13614	WASHER PLAIN Ø6XØ12.6X1.2	3
K2	10		SUPPORT TANK LID TURNING LOWER	1
K2	11	VF13514	WASHER PLAIN Ø8XØ16X1.5	1
K2	12		NUT LOCK M6	1
K3	13		SCREW M6X20	2
K3	14	VV13607	WASHER SPRING Ø6	2
K3	15		HOOK LATCH	2
K4/K5/K6/K13	16		SCREW PH M5X12	16
K4	17		CLAMP BLACK	5
K5	18		HOOK PLASTIC	1
K6	19		PLATE HOSE FIXED	2
	20	VR41601	TANK RECOVERY 200L PLASTIC DARK GREY	1
K8	21		GASKET EVA	1
K8	22		COVER VACUUM MOTOR	1
K8/K15	23		SCREW WITH WASHER M5X14	10
K9	24	VR41647	SLEEVE RECOVERY TANK LID TURNING	2
K9/K14	25		WASHER PLAIN Ø8XØ20X2	6
K9/K14	26		WASHER SPRING Ø8	6
K9	27		SCREW HEX SOC HD M8X75	2
	28*	VR41619	UTILITY CADDY	1
K9	29		LID RECOVERY TANK	1
K9	30	VF85127	CAP TANK LID BLACK	1
K9	31	VR41603	GASKET	1
K10	32	VV13635	SCREW M5X20	2
K10	33		FRAME WATER LEVEL SWITCH	1
K10	34	VF14514	NUT LOCK M5	2
K10	35		SCREW SELF TAPPING C/SUNK ST4X14	2
K10	36		COVER WATER LEVEL SWITCH	1

* ___ Optional

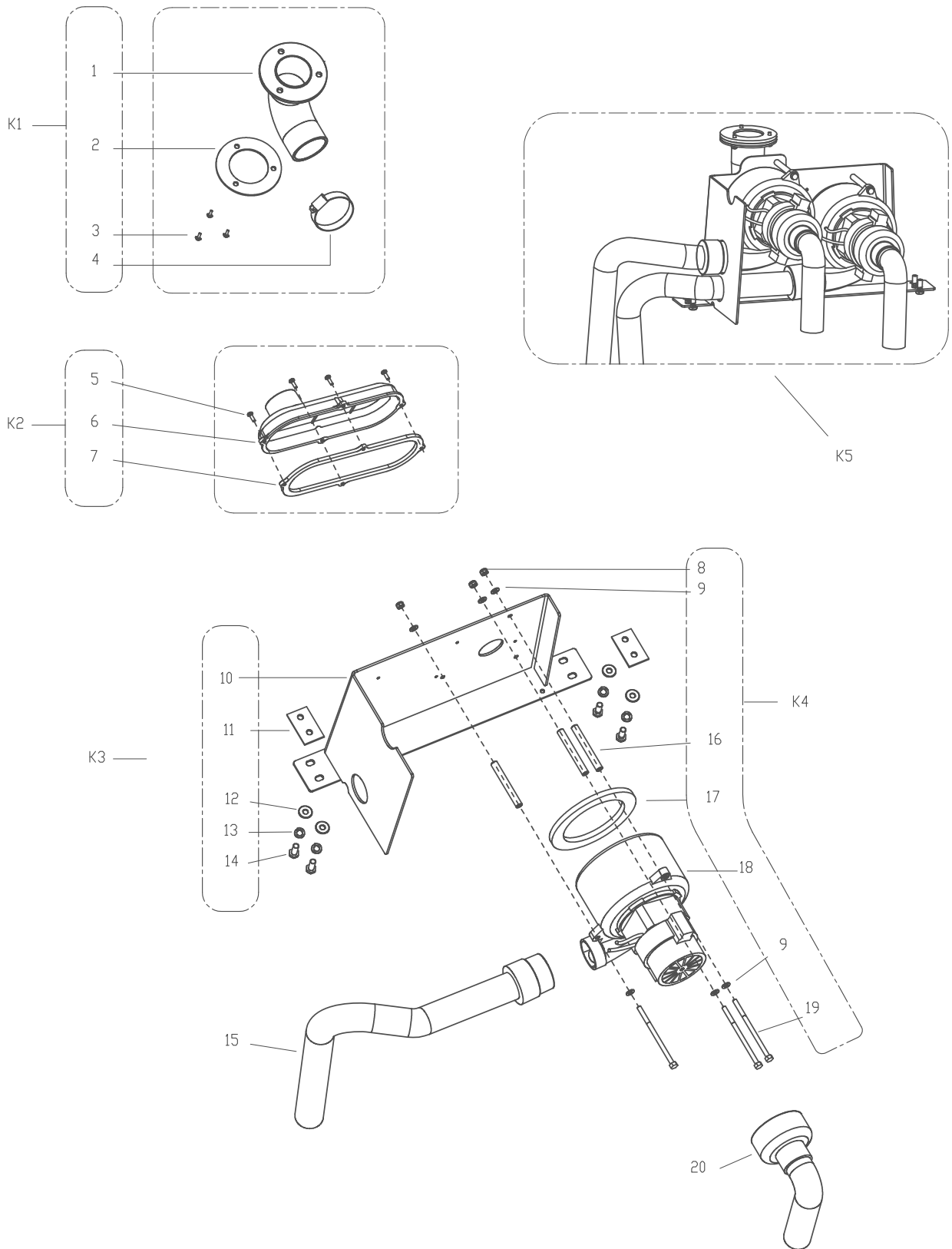
PART LISTS

RECOVERY TANK ASSEMBLY

Kit	Item	Part No.	Description	Qty
K10	37	VR41928	SWITCH WATER LEVEL	1
K11	38	VA13476	SCREW PH M5X40	2
K11	39		COVER VACUUM INTAKE	1
K11	40		FILTER VACUUM MOTOR	1
K11	41		BASE VACUUM INTAKE	1
K11	42		GASKET VACUUM INTAKE	1
	43	VS14744	TRAY DEBRIS KIT	1
K12	44		HOOK SQUEEGEE	1
K13	45		CLAMP DRAIN HOSE	3
K14	46		SHOCK PAD EVA	2
K14	47		BRACKET FIXED RECOVERY TANK	2
K14	48	VA13491	SCREW HEX M8X25	4
	49	VR41605	SUCTION HOSE ID Ø50	1
K15	50	VR32013	CLAMP HOSE	1
	51	VR41630	CLAMP 2INCH SS	1
	52	VR41620	DRAIN HOSE	1
	K1	VR41633	WARNING LIGHT KIT	1
	K2	VR41634	SUPPORT RECOVERY TANK TURNING KIT	1
	K3	VR41635	HOOK LATCH KIT	1
	K4	VR41636	WIRE CLAMP KIT	1
	K5	VR41637	HOOK PLASTIC KIT	1
	K6	VR41638	FIXED PLATE HOSE KIT	1
	K7		VACUUM ASSEMBLY	1
	K8	VR41640	COVER VACUUM MOTOR KIT	1
	K9	VR41641	RECOVERY TANK LID ASSEMBLY	1
	K10	VR41657	RECOVERY TANK WATER LEVEL SWITCH KIT	1
	K11	VR41658	VACUUM MOTOR INTAKE KIT	1
	K12	VR17605	SQUEEGEE HOOK KIT	1
	K13	VR41644	VACUUM HOSE CLAMP KIT	1
	K14	VR41645	FIXED BRACKET RECOVERY TANK KIT	1
	K15	VR32018	VACUUM HOSE CLAMP KIT	1

PART LISTS

VACUUM MOTOR ASSEMBLY



PART LISTS

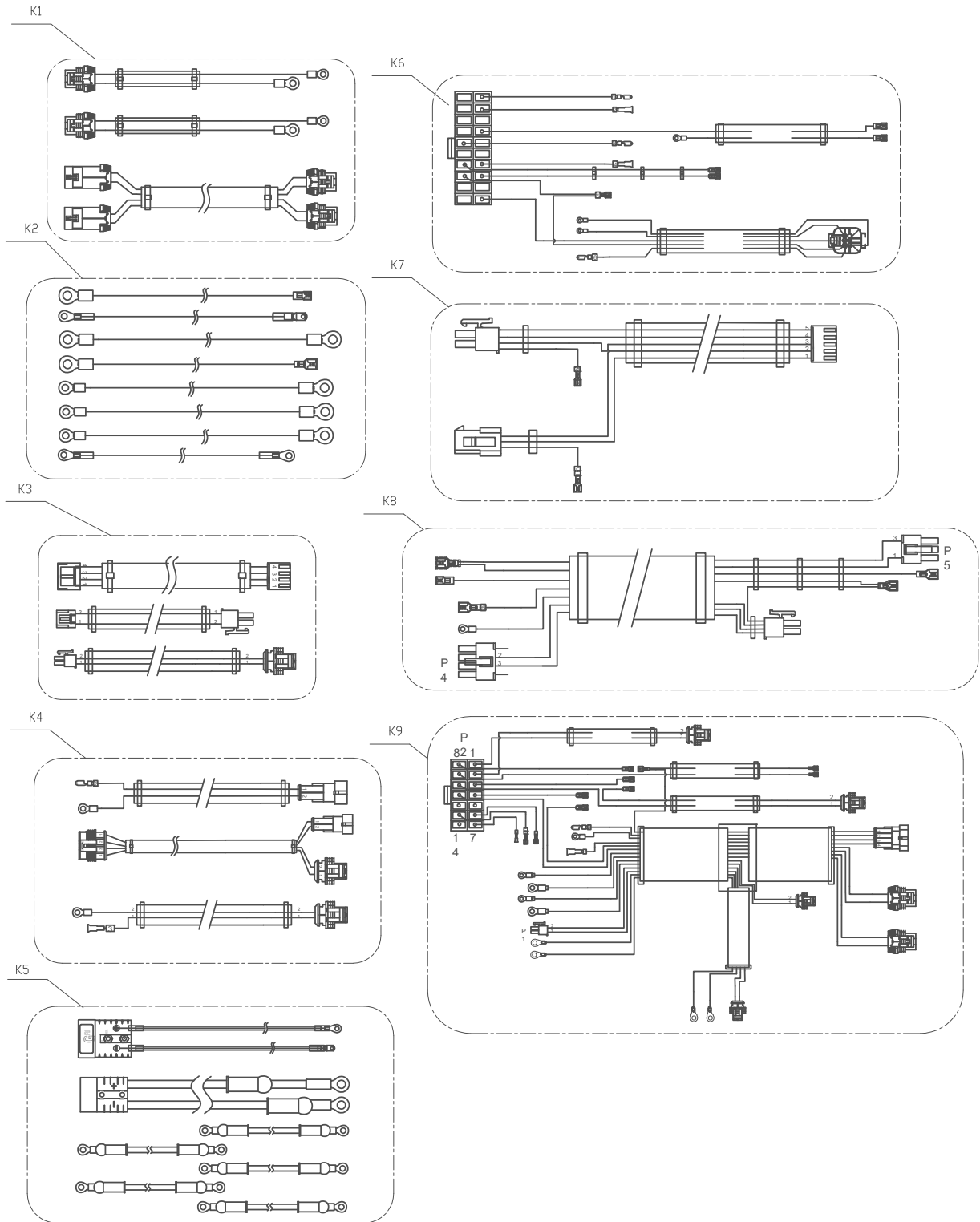
VACUUM MOTOR ASSEMBLY

Kit	Item	Part No.	Description	Qty
K1	1		ELBOW RUBBER	1
K1	2		PLATE FIXED ELBOW RUBBER	1
K1	3		SCREW WITH WASHER M5X14	3
K1	4		CLAMP 2INCH	1
K2	5	VV13650A	SCREW PH M4X10	4
K2	6		BOX VACUUM SUCTION	1
K2	7		GASKET EVA	1
K4	8		NUT LOCK M6	3
K4	9	VF13533	WASHER PLAIN Ø6.2XØ16X2	6
K3	10		BRACKET VACUUM MOTOR	1
K3	11	VR41626	SHOCK PAD EVA	2
K3	12	VF13524	WASHER PLAIN Ø8XØ20X2	4
K3	13	VF13519	WASHER SPRING Ø8	4
K3	14	VA13491	SCREW HEX M8X25	4
	15	VR41628	HOSE SILENCER VACUUM MOTOR	1
K4	16		SLEEVE	3
K4	17	VF86135	GASKET	1
K4	18	VR41904	VACUUM MOTOR 600W	1
K4	19		SCREW HEX M6X105 SS	3
	20	VR41618	HOSE HEAT DISSIPATION	1
	K1	VR41651	ELBOW RUBBER KIT	1
	K2	VR41652	VACUUM SUCTION BOX KIT	1
	K3	VR41655	BRACKET VACUUM MOTOR KIT	1
	K4	VR41653	VACUUM MOTOR KIT	1
	K5*	VR41654	DUAL-VACUUM MOTOR KIT	1

* ____ optional

PART LISTS

ELECTRIC PARTS



PART LISTS

ELECTRIC PARTS

Item	Part No.	Description	Qty
K1	VR41957	BRUSH AND VACUUM MOTOR HARNESS KIT	1
K2	VR41958	CONTROL UNIT HARNESS KIT	1
K3	VR41959	DASHBOARD HARNESS KIT	1
K4	VR41960	SOLUTION AND REC AND SEAT SENSOR HARNESS KIT	1
K5	VR41961	BATTERY HARNESS KIT	1
K6	VR41917	WIRING HARNESS DRIVE PEDAL	1
K7	VR41919	WIRING HARNESS PROXIMITY SENSOR	1
K8	VR41920	WIRING HARNESS CAN COMMUNICATION	1
K9	VR41918	MAIN WIRING HARNESS	1

PART LISTS

WEAR AND TEAR PARTS

No.	Part No.	Description	Qty
1	VR41147	SIDE BUMPER KIT	2
2	VR41103	FRONT WHEEL	2
3	VR41146	CHAIN 9.525 P	1
4	VR41149	BRUSH ACTUATOR KIT	1
5	VR41528	FILTER KIT	1
6	VR41966	PUMP WATER 24V	1
7	VR11600	VALVE SOLENOID 24V	1
8	VR41432	SPROCKET KIT	1
9	VR34052	BUZZER KIT	1
10	VR41116	DRIVE WHEEL	2
11	VR41900	DRIVE MOTOR 36V 1100W	1
12	VR41206	SIDE BLADE RUBBER NR	2
	VR41206LX	SIDE BLADE RUBBER LINATEX	2
13	VR41903	BRUSH MOTOR 36V 750W	2
14	VR41225	BRUSH PLATE LEFT KIT	1
15	VR41214	BRUSH PLATE RIGHT KIT	1
16	VF82056	BRUSH 20INCH KIT	2
17	VF82057	PAD HOLDER KIT	2
18	VR41305	CASTER WHEEL 2INCH	2
19	VR41322	BLADE SQGEE FRONT NR L1140MM	1
	VR41322LX	BLADE SQGEE FRONT LINATEX L1140MM	1
	VR41322PU	BLADE SQGEE FRONT PU L1140MM	1
20	VR41323	BLADE SQGEE REAR NR L1171.5MM	1
	VR41323LX	BLADE SQGEE FRONT LINATEX L1171.5MM	1
	VR41323PU	BLADE SQGEE FRONT PU L1171.5MM	1
21	VR14404	BUMPER WHEEL	2
22	VR41326	SLEEVE TAPER BRASS	2
23	9100001354	IGNITION KEY	1
24	VR41921	COMPONENT POTENTIOMETER	1
25	VR41423	PCB MAIN CONTROL KIT	1
26	VR41952	SWITCH SOLUTION TANK EMPTY	1
27	VR41545	LATCH KIT	2
28	VF85507	MICO-SWITCH	1
29	VR41564	MAIN CONTROLLER KIT	1
30	VR41559	DC CONTACTOR KIT	1
31	VR41928	SWITCH WATER LEVEL	1
32	VS14744	TRAY DEBRIS KIT	1
33	VR41605	SUCTION HOSE ID Ø50	1
34	VR41620	DRAIN HOSE	1
35	VR41653	VACUUM MOTOR KIT 600W	1
36	VR41912	CIRCUIT BREAKER 30A	4
37	VR37039	CIRCUIT BREAKER 3A	2
38	VF90747	CIRCUIT BREAKER 5A	1

Nilfisk Inc.
9435 Winnetka Avenue North
Minneapolis, MN 55445
www.usvipер.com

Nilfisk Canada
Mississauga, ON, Canada
800.668.8400

