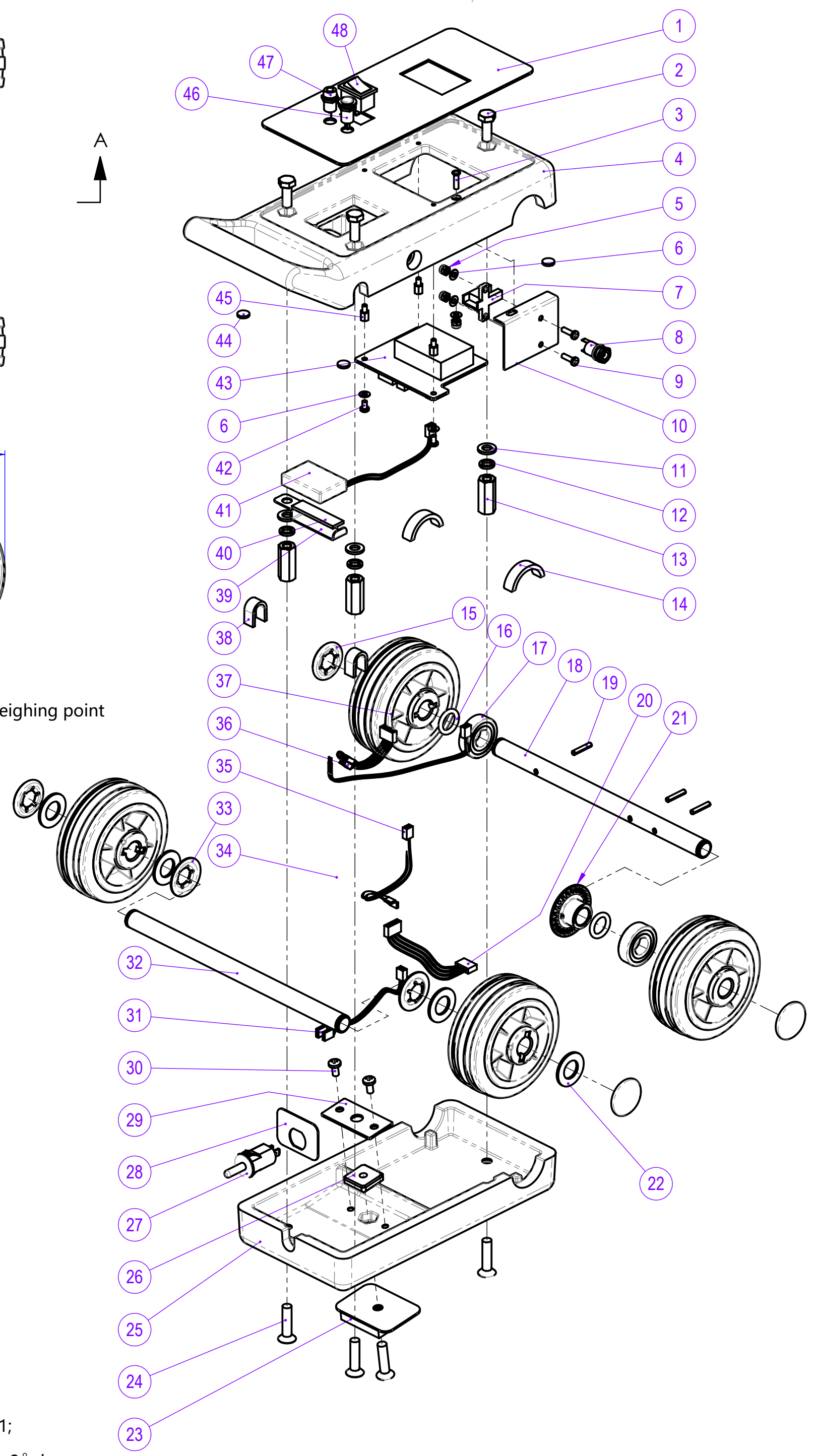


rear wheel weighing point
后轮称重点

Weighing pivot
称重支点

Front wheel weighing point
前轮称重点

SECTION A-A



NO.	Part No.	DESCRIPTION	Material	QTY.
48	113.0022.0	Power switch	Assembly	1
47	113.0023.0	LED indicator	Assembly	1
46	113.0024.0	Reset switch (panel)	Assembly	1
45	113.0002.0	PCB spacer M3x6	Brass	3
44	113.0016.0	Spacer $\phi 8 \times 1.5$	AISI 304	4
43	113.0003.0	PCB Assembly	Assembly	1
42	113.0004.0	GB_CROSS_SCREWS_TYPE1 M3X5-5 H type-N	SS 304	3
41	113.0017.0	LIPO Battery 3.7V 800 mAh	PP Copolymer	1
40	113.0020.0	EPDM seal L40xW12xT2	EPDM 20 Shore A	1
39	113.0018.0	Battery bracket	AISI 304	1
38	113.0019.0	EPDM seal L40xW8xT2	EPDM 20 Shore A	2
37	113.0037.1	$\phi 80$ Wheel	PA6+20%GF	4
36	113.0039.0	Wiring harness panel	Assembly	1
35	113.0039.1	Wiring harness charging	Assembly	1
34	113.0026.0	EPDM seal L645xW8xT3	EPDM 20 Shore A	1
33	113.0037.3	Quincunx retainer ring 12	65Mn	2
32	113.0037.0	Front wheel shaft	AISI 304	1
31	113.0040.0	Wiring harness reset switch	Assembly	1
30	113.0029.0	GB_CROSS_SCREWS_TYPE1 M4X8-8 H type-N	SS 304	2
29	113.0028.0	Fixing plate	6061 Alloy	1
28	113.0035.0	Switch bracket	AISI 304	1
27	113.0036.0	Reset switch	Assembly	1
26	113.0027.0	Square nut M6	15 Steel, Cold Drawn	1
25	113.0025.0	Base	HT250	1
24	113.0032.0	GB_MC_SCREW_TYPE12 M6X25-21.7-N	SS 304	4
23	113.0031.0	Rubber block 96 ± 2 Shore A	NBR	1
22	113.0037.4	Plain washer $\phi 13 \times \phi 24 \times 1.5$	AISI 304	4
21	113.0038.1	Coding wheel (Black)	PP	1
20	113.0041.0	Wiring harness sensor	Assembly	1
19	113.0038.2	GB_PARALLEL_PINS_TYPE7 3X16	65 Mn	3
18	113.0038.0	Rear wheel shaft	AISI 304	1
17	113.0038.3	Plastic bearing 6001	POM	2
16	113.0038.4	$\phi 12(OD) \times \phi 3.0(Wd)$ O-ring	NBR	2
15	113.0037.2	Shaft cap $\phi 12$	Assembly	4
14	113.0013.0	EPDM seal L34xW8xT3	EPDM 20 Shore A	2
13	113.0011.0	Supporting stud M6x24.5	15 Steel, Cold Drawn	3
12	113.0015.0	GB_FASTENER_WASHER_SW 6	SS 304	3
11	113.0008.0	WASHER 12X6X0.8MM STAINLESS STEEL	SS 304	3
10	113.0006.0	Sensor bracket	AISI 304	1
9	113.0005.0	PAN HEAD SCREW M3X10	SS 304	2
8	24.0007.0	DC connector	Assembly	1
7	113.0009.0	Sensor	Assembly	1
6	113.0007.0	GB_FASTENER_WASHER_PWNA 3 GB/T 97.1	SS 304	6
5	113.0010.0	Self-locking nut DIN EN ISO 7040 - M3	SS 304	3
4	113.0001.0	Cover	HT250	1
3	113.0014.0	GB_CROSS_SCREWS_TYPE10 M3X12-10.35-H1-N	SS 304	1
2	113.0012.0	GB_FASTENER_BOLT_STBAB A M6X16-N	SS 304	3
1	113.0021.0	Panel base	PC	1

Notes / 技术要求:

- All parts must be clean before assembling.
所有零件装配前必须干燥、洁净;
- All fasten parts must be tightened with proper torque.
紧固件使用合适扭矩拧紧;
- Total weight $5000g \pm 100g$, front wheel weight: rear wheel weight=3:1;
总重 $5000g \pm 100g$, 前轮重量: 后面重量=3: 1;
- Wheels can rotate smoothly, trolley can move down when put it on a 2° slope;
轮子需转动灵活, 小车在 2° 斜坡上可以自由下滑。

A	First release	Jason Xiao	02/09/2018
REV.	DESCRIPTION	REVISED BY	DATE

TOLERANCE UNSPECIFIED

LINE	ANGLE
.XXX=±0.005	X=±2°
.XX=±0.05	.X=±1.5°
.X=±0.1	.XX=±1°
.=±0.2	XXX=±0.5°
XX=±0.5	
XXX=±1	

REMARK:

MATERIAL: Assembly

APPROVED: [Signature]

CHECKED: [Signature]

DESIGNED: Jason Xiao

REV. UNIT: MM

SCALE: 1:2

DATE: 10/11/2017

REVISION: A

PART NAME: Slip meter assembly

PART NO.: S.113.0000.0

DRAWING NO.:

FRAME SIZE: A2

SMT-FCT DONGGUAN
THE FRIENDLY FAMILY
SMT-FCT DongGuan Ltd.
ASSEMBLY AND MOULD OF CLEANING PRODUCTS