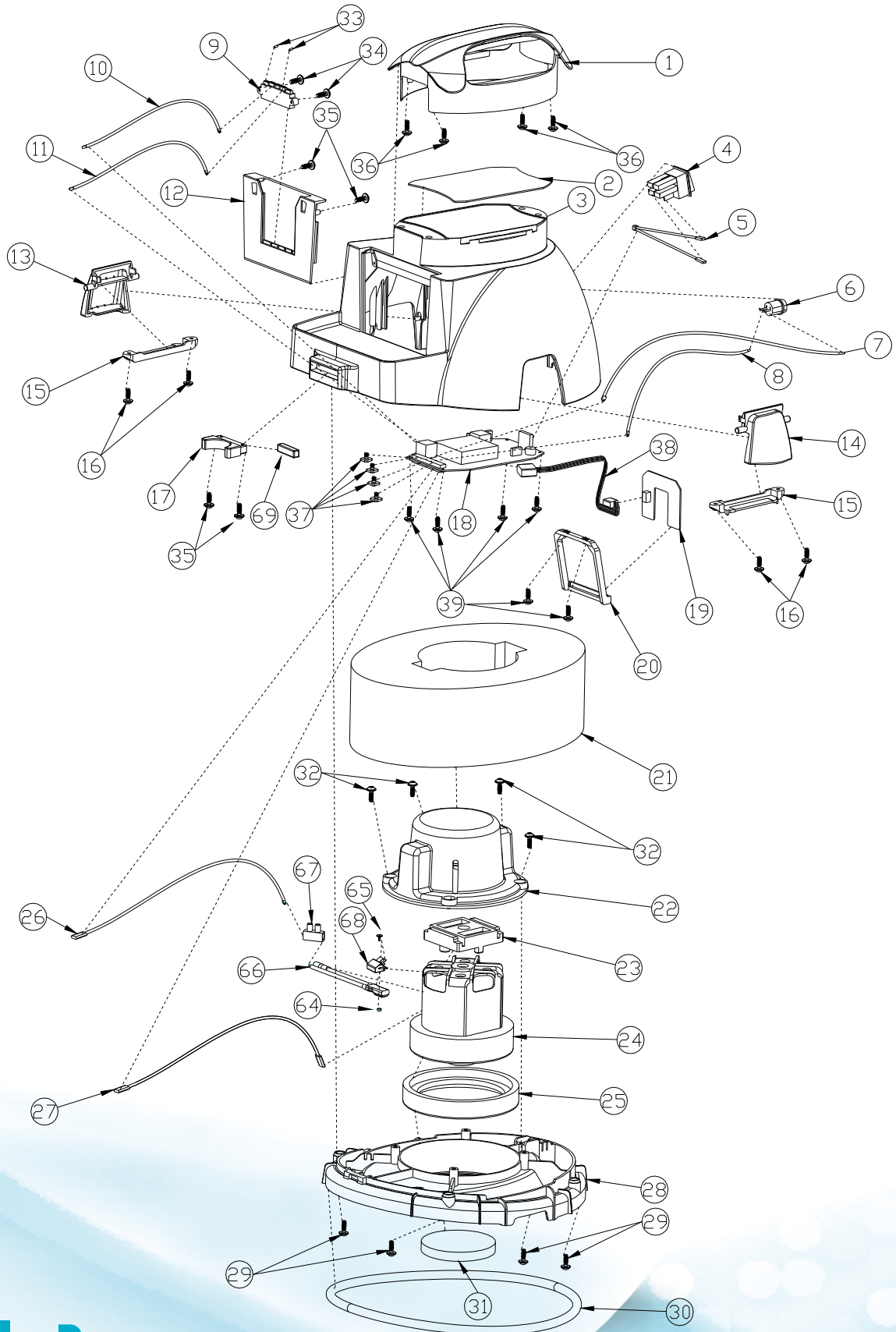


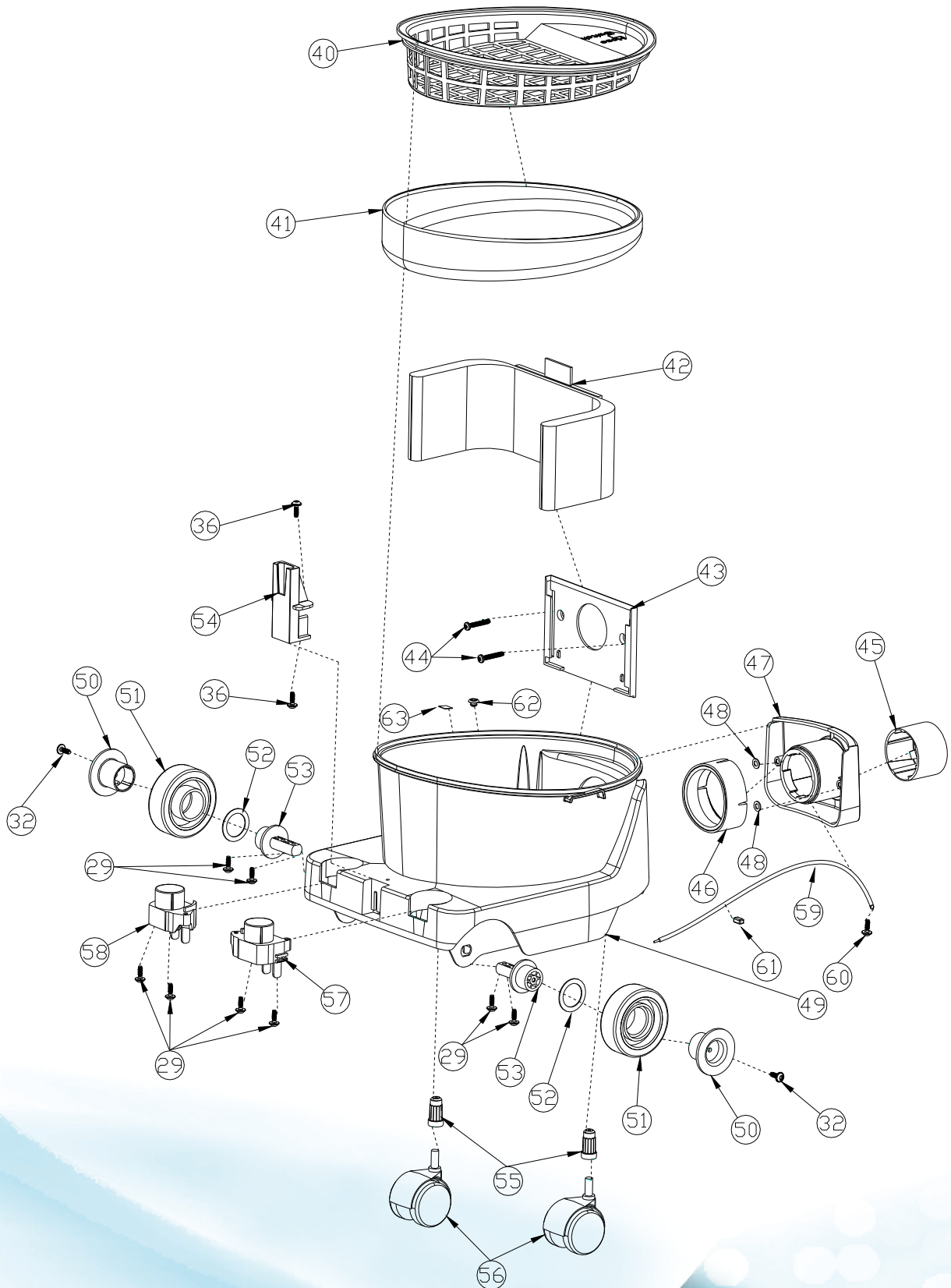


i-vac5^B





i-vac5^B





No.	P/N	QTY	DESCRIPTION
1	105.0028.X	1	handle C05 battery version
2	N/A	1	STICKER C5B
3	105.0027.X	1	COVER c05 battery version
4	04.0009.30	1	SWITCH 4P LIGHT GREEN 0/I
5	105.0040.0	1	WIRE L=120MM 250/PH2.5_2P_AWG22
6	75.0003.0	1	OUTLET 2P FOR C9B DC24V female
7	105.0031.0	1	WIRE BLACK L=300 MM 187 AWG16
8	105.0032.0	1	WIRE RED L=300 MM 187 AWG16
9	72.0068.X	1	BATTERY CONNECTOR MALE
10	70.0185.0	1	WIRE RED L=200 MM RV3.5-4/MALE PIN AWG12
11	70.0186.0	1	WIRE BLACK L=200 MM RV3.5-4/MALE PIN AWG12
12	105.0029.X	1	socket base C05 battery version
13	105.0005.X	1	LOCK CLIP RIGHT
14	105.0004.X	1	LOCK CLIP LEFT
15	105.0006.0	2	LOCK CLIP BRACKET
16	105.0017.0	4	SCREW ST3.4 X 25 CROSS HEAD_SS402
17	105.0046.X	1	magnet_cover_c5b
18	105.0036.0	1	MAIN PCB C5 BATTERY
19	105.0037.0	1	led PCB C5 BATTERY
20	105.0030.0	1	led PCB holder c05 battery
21	105.0019.0	1	SILENCERS-COTTON 2 FOR C5 density 50
22	105.0009.0	1	MOTOR DEFLECTOR
23	105.0023.0	1	RUBBER_TOP_DOMEL_C5
24	57.0045.0	1	MOTOR 450W DC24V DOMEL
25	105.0033.0	1	RUBBER_BOTTOM_DOMEL_C5B
26	105.0034.0	1	WIRE RED L=350MM 187/RV3.5-4 CSA AWG12
27	105.0035.0	1	WIRE BLACK L=350MM 187/RV3.5-4 CSA AWG12
28	105.0001.X	1	MOTOR PLATE
29	54.0027.2	12	SCREW ST5X20
30	105.0016.0	1	Rubber seal Dia10 X L 888 mm EDPM 50HARD
31	105.0021.0	1	SILENCERS-COTTON 4 FOR C5 density 50
32	73.0002.3	6	SCREW ST5.05 X 16
33	85.0050.1	2	ALIGNMENT PIN LONGER VERSION
34	72.0057.0	2	SCREW WN 5451 25X10 EJOT DELTA PT
35	51.0027.0	4	SCREW ST3.5 X 10MM cross head sus304
36	00.0002.3	6	SCREW ST4.25 X 16 FLANCH HEAD
37	N/A	4	SCREW M4 FOR PCB CONNECTOR
38	N/A	1	Signer wire for 2 PCB
39	85.1035.0	6	SCREW M3 X 10 CROSS
40	105.0010.0	1	FILTER FRAME_C5
41	105.0013.0	1	NONWOVEN BAG FOR FILTER FRAME
42	22.0094.830	1	PAPER BAG S/F C05/C06
43	77.0009.X	1	PAPERBAG HOLDER
44	73.0005.30	2	SCREW PT WN1412KB[ST6 X 32]
45	70.0016.000	1	INSERT DUPRO ESD
46	105.0022.0	1	RUBBER for inlet C5
47	105.0007.X	1	HOSE CONNECTOR BLOCK
48	105.0025.0	2	SEAL RING STICK EVA 11x6x1mm
49	105.0000.X	1	CANNISTER
50	77.0008.X	2	REAR CASTOR COVER C06/9
51	77.0007.0	2	REAR CASTOR GREY C06/9
52	78.0008.1	2	SHIMRING C06/9
53	105.0008.0	2	REAR CASTOR FIXATION AXIS
54	105.0011.X	1	PARKING SUPPORT BLOCK
55	25.0020.0	2	SOCKETS DOUBLE CASTOR
56	76.0012.0	2	CASTOR DOUBLE 50MM RUBBER/B/NY
57	105.0014.X	1	TOOLS PARKING BLOCK LEFT
58	105.0015.X	1	TOOLS PARKING BLOCK RIGHT
59	105.0041.0	1	ESD WIRE L=260MM
60	105.0043.0	1	SCREW ST3 X 6 COUNTERSUNK_Horizontal_Cross
61	105.0044.0	1	ESD WIRE HOLDER
62	105.0045.0	1	RUBBER_SEAL_for_ESDwire
63	105.0464.0000.00	1	ESD STICKER
64	105.0052.0	1	NUT M2 flat
65	105.0053.0	1	SCREW M2 X6 CROSS HEAD=D7 NYLOK
66	105.0054.0	1	THERMAL SWITCH 110C for domeIDC24V AWG12
67	105.0055.0	1	CONNECTION BRACKET INSULATION 2P for AWG12
68	85.0044.1	1	FIXING CLIP THERMAL SWITCH
69	105.0047.0	1	MAGNET 32X8.7X7.8MM

