

i-vac 5B[®]

Continuously easy

User manual



i-team Professional b.v.

Hoppenkuil 27b, 5626 DD Eindhoven, The Netherlands

Telephone: +31402662400

Email: hello@i-teamglobal.com

Internet: www.i-teamglobal.com





Original user manual, written in the English Language

Future Cleaning Technologies B.V.

Hoppenkuil 27b, 5626 DD Eindhoven, The Netherlands

Telephone: +31402662400

Email: hello@i-teamglobal.com

Internet: www.i-teamglobal.com

Model: C5B

Date: 08/05/2020

Product code: C5B.I-V.0000B

Version: v.1.0



Preface

Thank you for purchasing the i-vac 5B®. The i-vac 5B has an egg shaped canister so you can work optimal in smaller areas and carry it close to your body. The high powered motor of the i-vac 5B reaches about 80% of the suction power that cable operated vacuums use, without the strain of being tied down to one place. Furthermore all of the accessories and necessary equipment supplied with the machine can be stored on the machine.

The i-vac 5B is easy to use when you follow the instructions. Please read the user manual carefully. Become familiar with the correct operation and maintenance procedures. Store the manual in a safe place. The manual is an essential part of the i-vac 5B and must be handed over to the new owner upon resale or exchange. Each i-vac 5B has a unique identification number that can be found on the bottom of the main body. Your i-team partner needs this number when you order parts.

When this manual refers to “the manufacturer” this means: Future Cleaning Technologies B.V., an affiliate company of i-team in Eindhoven, the Netherlands. When this manual mentions “the partner” your local i-team resell and support service partner is referred to.

Purpose of the user manual

The purpose of the user manual is to provide the user with information during the life of the i-vac 5B in such a way that the i-vac 5B is used correctly, efficiently and safely, even in the event of reasonably foreseeable misuse.

The user manual contains instructions regarding:

- personal operator safety;
- intended and non-intended use of the i-vac 5B;
- instructions for daily use;
- maintenance instructions;
- storage conditions;
- disposal of the i-vac 5B.

These instructions must be considered to avoid risks that could lead to physical and / or material damage.

Target audience

This user manual is intended for operators of the i-vac 5B and their supervisors, as well as partners and importers.

Operators of the i-vac 5B





The i-vac 5B may only be operated by a person who:

- has correctly read and understood the instructions in this manual;
- is trained by an experienced operator who has read and understood the instructions in this manual.



Reading guide

The following symbols and terms are used throughout this manual to alert the reader to safety issues and important information:

Symbol	Term	Explanation
	WARNING	Indicates a hazardous situation which, if the safety instructions are not followed, can lead to injuries of the operator or bystanders, light and/or moderate damage to the product or the environment.
	CAUTION	Indicates a hazardous situation which, if the safety instructions are not followed, can lead to light and / or moderate damage to the product or the environment.
	BATTERIES	Indicates a battery-operated machine, batteries must be charged according to the instructions in the separate Class I Battery Charger user manual. Batteries must be disposed of according to your local laws and regulations.
	ATTENTION	Indicates a liability situation, where the manufacturer or its partners and affiliates cannot be held accountable for damages caused by non-compliance.



Content

Preface	3
Purpose of the user manual	3
Target audience	3
Operators of the i-vac 5B	3
Reading guide.....	4
1 Introduction.....	7
1.1 Intended use of the product.....	7
1.2 Non-intended use of the product.....	8
1.3 Lifespan.....	9
1.4 Modifications.....	9
1.5 Specifications.....	10
1.6 Warranty.....	11
1.7 Identification	11
2 Description	12
2.1 Explanation LED indicators	13
3 Safety.....	14
3.1 Battery	14
3.2 Risks during operation	14
4 Transport and storage	15
5 Assembly and installation.....	16
5.1 Unboxing.....	16
5.2 Assembly.....	17
5.3 Replacing the dust bag	18
6 Operation	22
6.1 Before you start	22
6.1.1 Height adjustment.....	22
6.1.2 Insert the battery	22
6.2 Normal operation	23
6.2.1 After normal operation	23
6.2.2 Remove the battery	24
6.3 Operation with i-brush®	25
6.3.1 After operation with i-brush	25
6.3.2 Remove the battery	26
7 Maintenance	27
7.1 Cleaning	27



7.1.1	Clean the machine.....	27
7.1.2	Clean the hose and wand.....	27
7.1.3	Replacing the motor filter.....	28
7.2	Brush and tool condition.....	29
7.3	Damaged or worn parts.....	29
7.4	Maintenance frequency.....	30
7.5	Storage.....	30
8	Trouble shooting.....	31
9	Decommissioning and disposal.....	32
10	Attachments.....	33
10.1	CE Certificate.....	33



1 Introduction

The i-vac 5B® has an Egg shaped canister for optimal working in smaller areas, also you can carry it close to your body. You always have the right accessories and necessary equipment with you as it can be stored on the machine. The sturdy and ergonomic main handle provides a freedom of mobility you haven't experienced before. The i-vac 5B goes wherever you go.

The battery used in the i-vac 5B are the same as in a variety of battery powered i-team products. The battery must be fully charged before use. Please refer to the user manual of the i-charge® for the correct procedure.

This manual is intended for those who work with the i-vac 5B and perform daily maintenance. The manual must be read in full before the first actions. This manual describes the correct method of use, safety measures, maintenance and transport.

i-team continuously improves all their products based on user experience and feedback. Any deviations between the texts and / or images from the manual and your i-vac 5B can therefore arise from the difference in model or from possible changes due to continuous development and innovation.

1.1 Intended use of the product

The i-vac 5B is intended for indoor use for the collection of **dry** materials only.

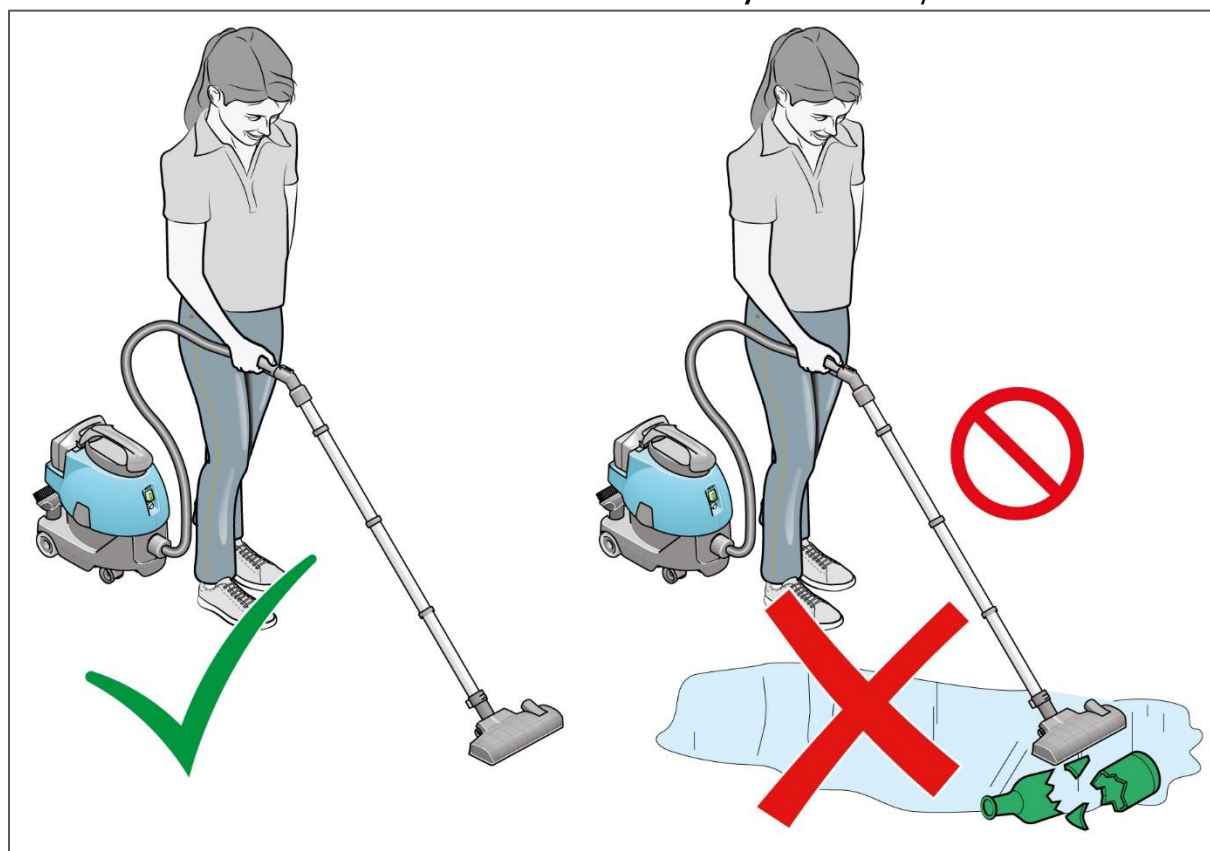


Figure 1

The i-vac 5B is suitable for commercial use. For example: in hotels, schools, hospitals, factories, shops, cleaning companies, holiday parks and offices.



Make sure that the i-vac 5B® is maintained as described in section 7 Maintenance. Not following the recommended maintenance may lead to hazardous situations and i-team Professional may NOT give warranty.

Check the filters, dust bag and hose regularly for pollution or damage. Replace damaged parts. For more information on how to order i-vac 5B parts, please see section 7.3.

ONLY USE original i-team Professional parts! i-team Professional does NOT give warranty in case non original parts are used.

The i-vac 5B may only be operated by a person who:

- has correctly read and understood the instructions in this manual;
- is trained by an experienced operator who has read and understood the instructions in this manual.

Keep the i-vac 5B and the accessories clean.

In order to use the i-vac 5B on different types of surfaces, extra tools are provided. These tools are easy to replace. Select the right tool for each job, see Figure 2.

1. Upholstery tool.
2. Crevice tool.

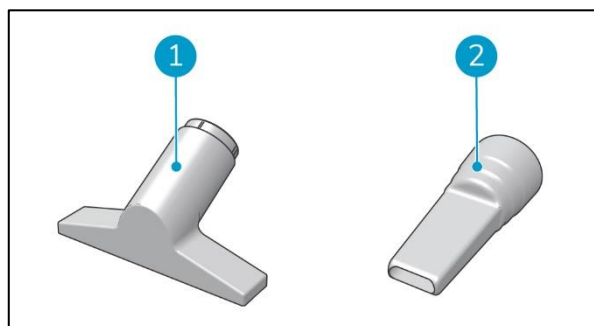


Figure 2

1.2 Non-intended use of the product



WARNING

Non-intended use can have consequences for the safety of operators and bystanders and will void the warranty on the product.

The i-vac 5B is not intended to clean anything else than dry materials.

The i-vac 5B is not suitable for the collection of:

- wet materials or water;
- hot ashes or lighted cigarette ends;
- hazardous or explosive substances;
- biological hazards;
- particulate matter.



1.3 Lifespan

For a proper functioning and a long lifespan of the i-vac 5B[®], it is important to follow the recommended maintenance intervals mentioned in this manual, see section 7.

1.4 Modifications

It is not permitted to make modifications to the design of the i-vac 5B without consultation and permission from the manufacturer. This affects the warranty, see section 1.6.



1.5 Specifications

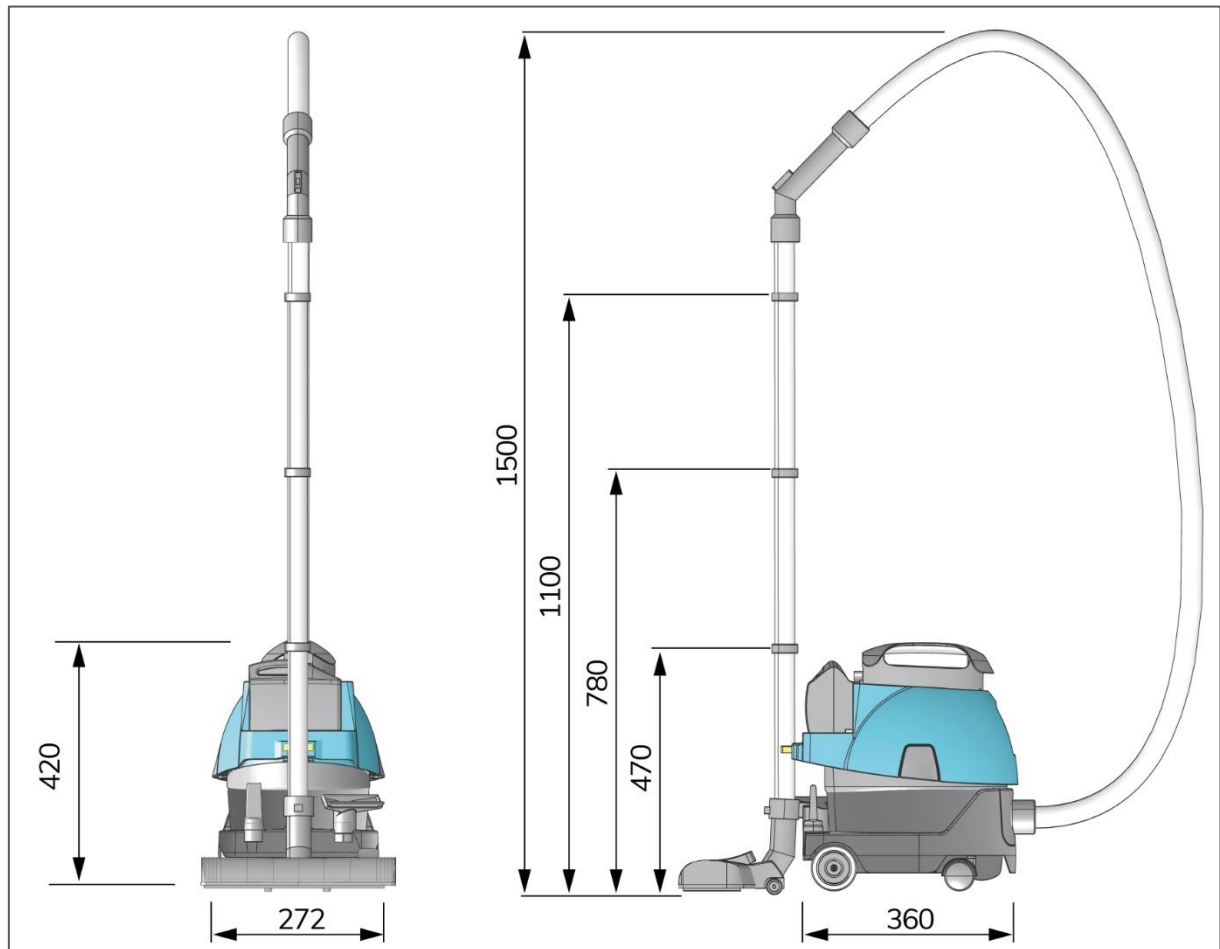


Figure 3

Body size:	360 x 272 x 420 mm
Carrying weight:	5.2 kg
Hose length:	180 cm
Capacity:	5 L
Noise level:	62 dB(A) 63 dB(A)
Diameter of tools:	32 mm
Water lift/suction:	1300 mm
Air flow:	24,7 L/sec
Application:	Indoor, dry
Power source:	i-power 9 or 14 battery
Battery spec i-power 9:	25.2 V 8.8 Ah
Battery spec i-power 14:	25.2 V 14 Ah
Run time i-power 9:	30 minutes
Run time i-power 14:	40 minutes
Charger type:	Off-board
Charger:	110-240V, 50/60Hz
Material machine:	PP



1.6 Warranty

The i-vac 5B® should only be operated with the materials supplied. Using alternative supplies may cause damage to the i-vac 5B and may cause a risk to the operator. The use of alternative supplies voids manufacturer's warranty. The warranty period is 1 year.

1.7 Identification

Each i-vac 5B has a unique serial number that can be found on the bottom of the main body and on the bottom of the head. Your i-team partner needs this number when you order parts.

Explanation type plate:



Product type: i-vac 5B

Production code: C5B.I.V.0000B

Model: C5B

Serial number:

Distributor:

i-team Professional

Hoppenkuil 27 b

NL-5626 DD Eindhoven

Figure 4



2 Description

The body of the i-vac 5B® is made of durable and impact resistant material. The wand consists of three pieces so you can extend it to reach out to difficult spots. The i-vac 5B can be combined with an optional i-brush®. This extra floor tool simultaneously agitates the carpet and removes dirt and dust. The i-vac 5B is powered by the i-power® battery.

The i-vac 5B consists of:

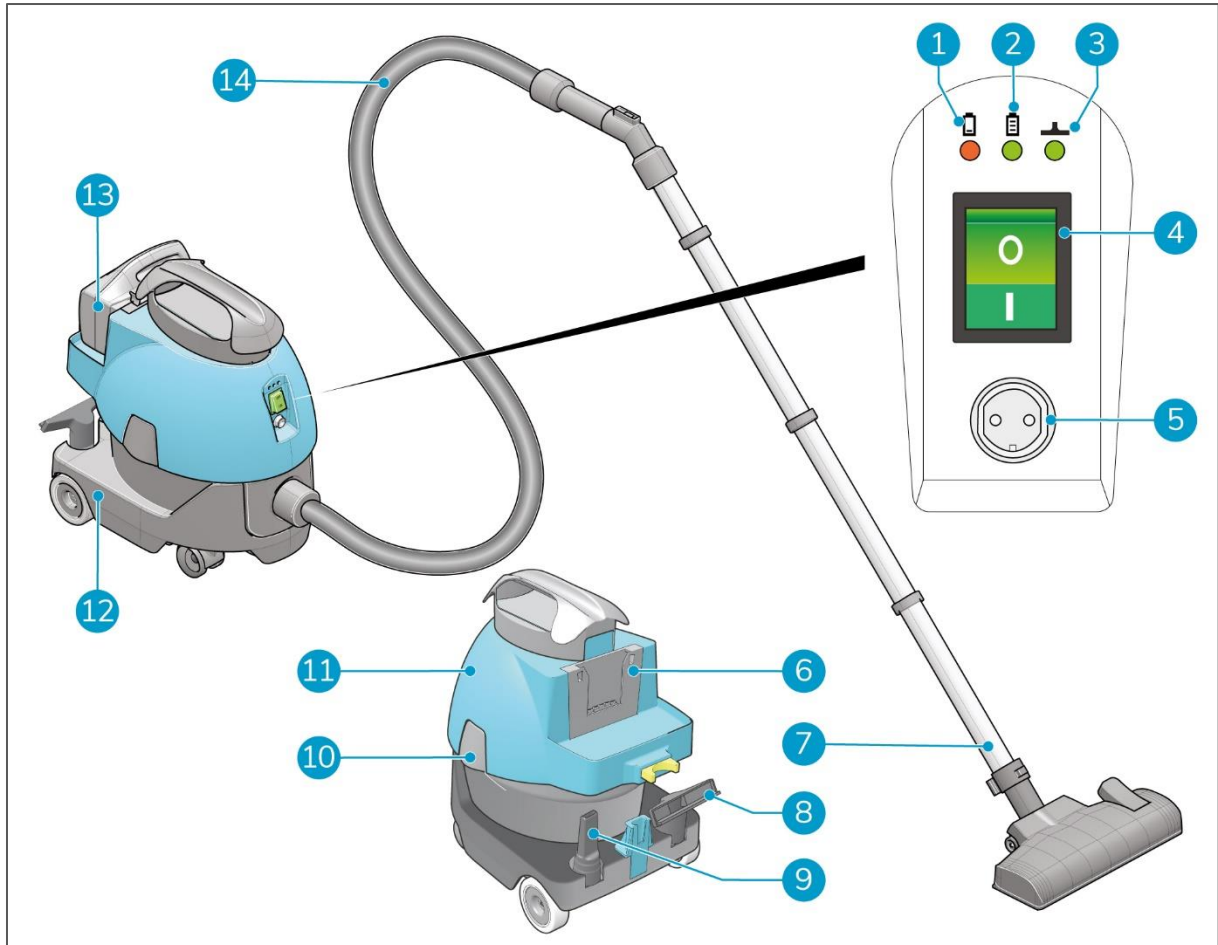


Figure 5

Legend

- | | |
|---------------------------------------|---------------------------------|
| 1. A low battery power indicator LED. | 8. An upholstery tool. |
| 2. A battery power status LED. | 9. A crevice tool. |
| 3. A vacuum function LED. | 10. A latch to remove the head. |
| 4. An ON/OFF switch. | 11. A head. |
| 5. An i-brush power connector. | 12. A can. |
| 6. A battery holder. | 13. A battery. |
| 7. A wand, 3 sections. | 14. A hose. |



2.1 Explanation LED indicators

1. A low battery power indicator LED. The red low battery power LED turns on when you start the machine, after a few seconds it turns off. This is to check if the LED works. The red LED will also light up when the battery is almost empty.
2. A battery power status LED. The green battery power status LED is always on during normal use when the battery has sufficient power.
3. A vacuum function LED. The vacuum function LED flashes when the ON/OFF button is turned on. When the i-vac 5B is on full power it is permanent on.

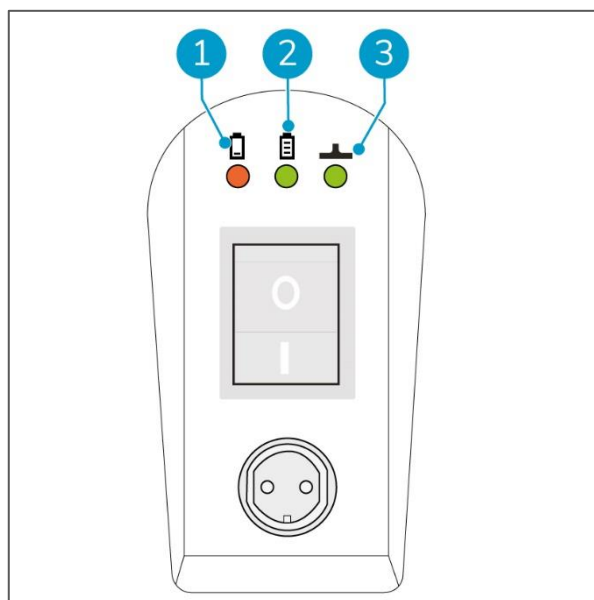


Figure 6



3 Safety

Safety comes first, therefore please take time to read and understand these safety instructions. Improper use can cause harm or void the manufacturer's warranty.

3.1 Battery

CAUTION

During normal operation the 24 V battery causes no safety hazard on its own. Please keep in mind the following safety instructions:



- do not crush, pierce or damage in any way;
- do not heat or incinerate;
- do not short-circuit;
- do not dismantle;
- keep the battery dry;
- only charge between 5 °C ~ 40 °C / 41 °F ~ 104 °F;
- only use between 5 °C ~ 45 °C / 41 °F ~ 113 °F.

3.2 Risks during operation



WARNING

STOP OPERATION IMMEDIATELY if the i-vac 5B® does not perform properly or makes unusual noise. Service the i-vac 5B before you continue the operation.



WARNING

DO NOT operate the i-vac 5B without a filter dust bag.



WARNING

DO NOT use the i-vac 5B on damp or wet surfaces. This will cause damage to the i-vac 5B and is dangerous to the user. The damage caused by the use on a wet surface is not covered under the warranty.



4 Transport and storage

- do not store the i-vac 5B® outdoors;
- store the i-vac 5B in a dry place;
- in case the i-vac 5B is stored for a longer period, remove the battery. See section 6.2.2.;
- before you transport the i-vac 5B, remove the battery. See section 6.2.2.;
- before you use the i-vac 5B again, make sure the battery is loaded, see the User Manual of the i-charge 9®.



5 Assembly and installation

The i-vac 5B® does not require much assembly. The machine comes with 2 additional tools for vacuuming different types of surfaces.

5.1 Unboxing

The i-vac 5B is packed in 1 box. The battery and the battery charger must be ordered separately.

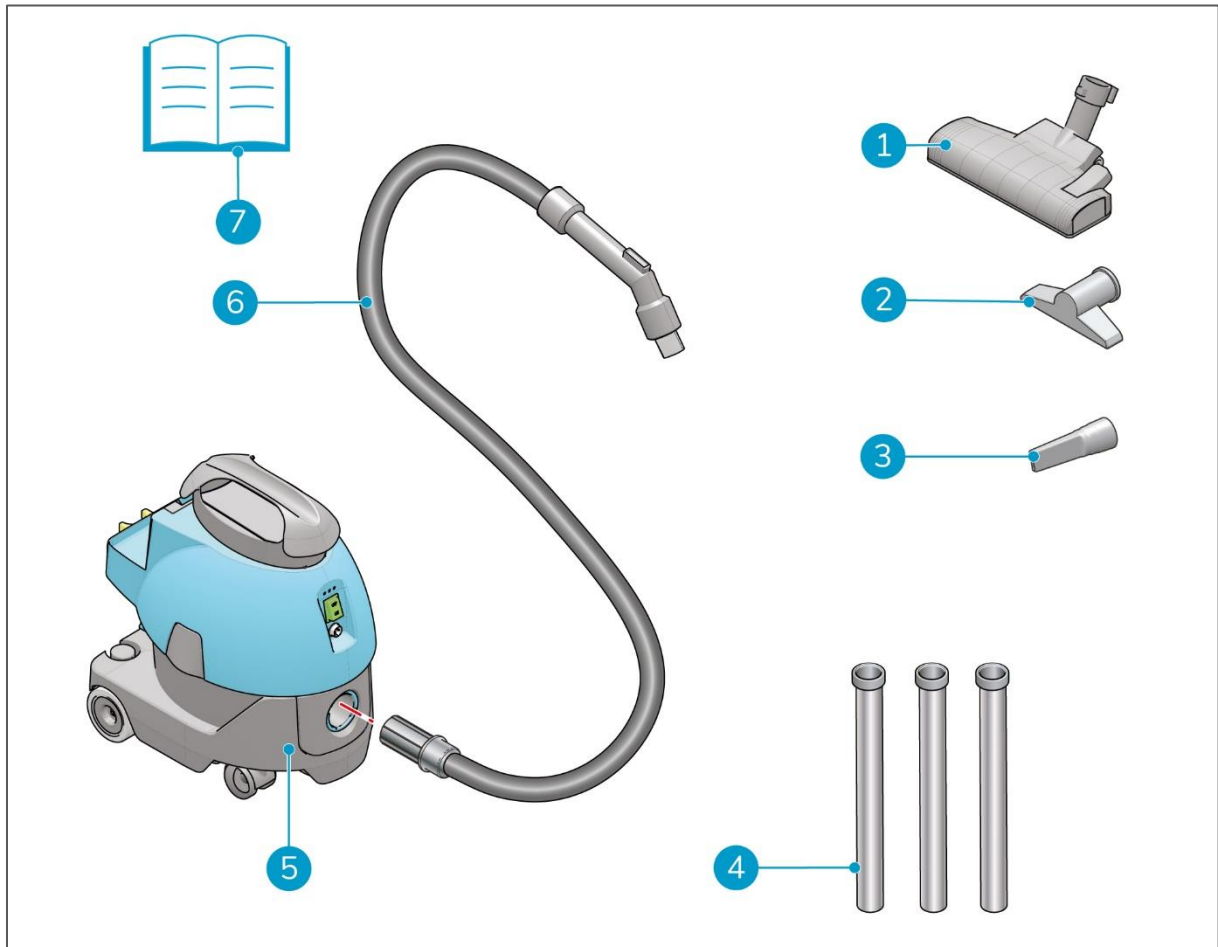


Figure 7

Legend

- | | |
|---------------------------|------------------------|
| 1. 1x standard floor tool | 5. 1x i-vac 5B |
| 2. 1x upholstery tool | 6. 1x hose |
| 3. 1x crevice tool | 7. 1x this user manual |
| 4. 3x wand | |



5.2 Assembly

1. Insert the hose (Figure 8, pos 1) into the hose intake (Figure 8, pos 6).
2. Turn the hose clockwise to lock it into place.
3. Insert the hose into the wand (Figure 8, pos 2).
4. Attach the standard floor tool (Figure 8, pos 4) on the narrow end of the wand (Figure 8, pos 5).
5. Place the crevice tool and the upholstery tool onto the brackets (Figure 8, pos 3).

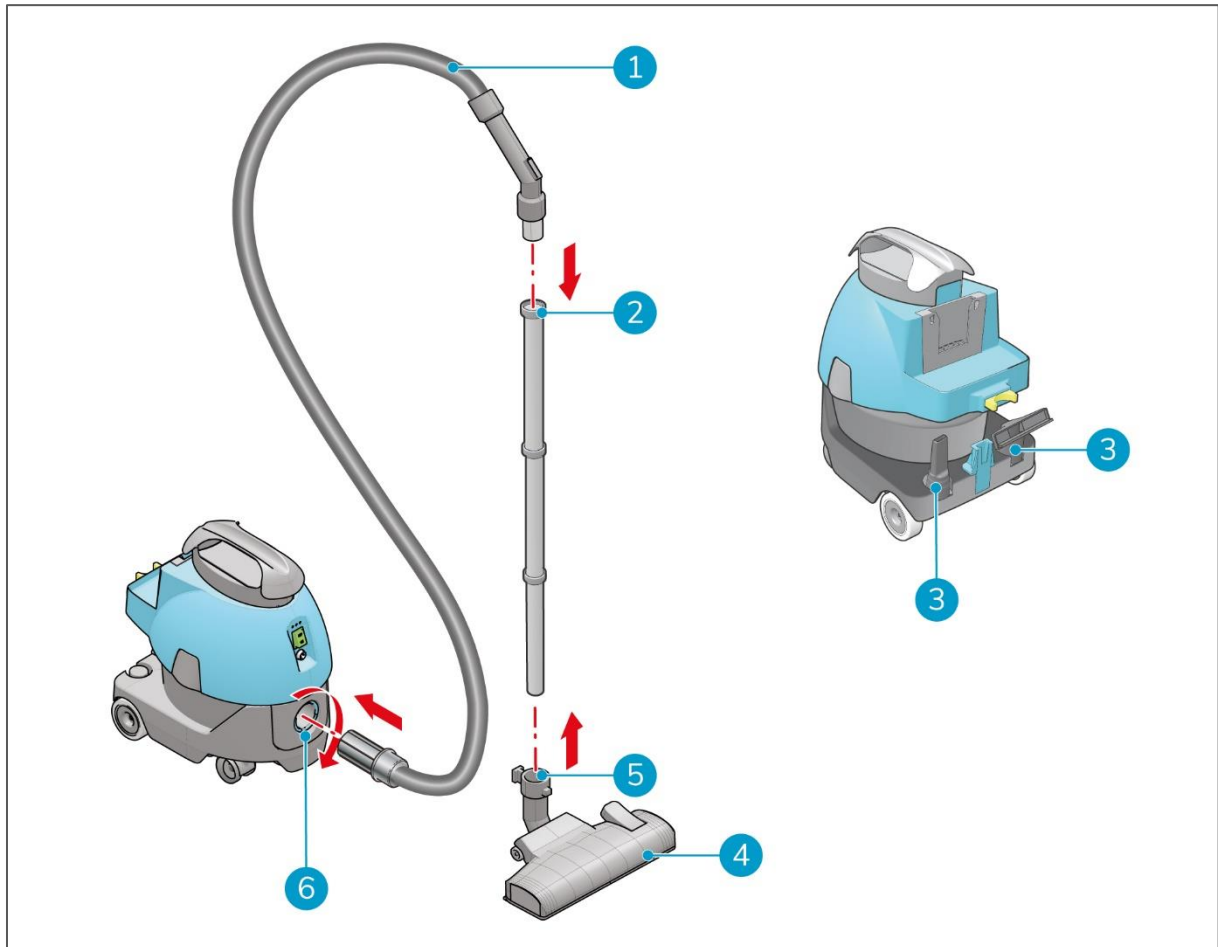


Figure 8



5.3 Replacing the dust bag

Check the dust bag every week and replace it if it is full. Only use original i-team dust bags.

Make sure that the hose is removed from the i-vac 5B® before removing the dust bag. You cannot remove the dust bag with the hose in place.

1. Turn off the i-vac 5B with the ON/OFF switch (Figure 9, pos 1).
2. Remove the battery (Figure 9, pos 4).
3. Release the latches (Figure 9, pos 2).
4. Lift the head by the handle (Figure 9, pos 3).

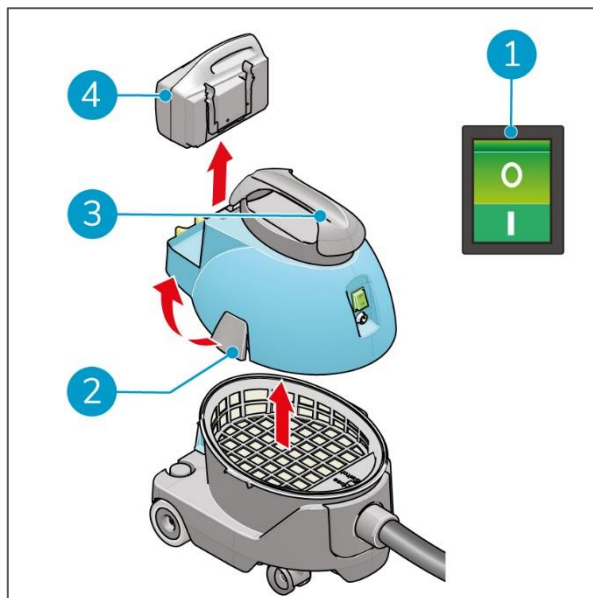


Figure 9

5. Place the head on its side on a level surface (Figure 10, pos 1).

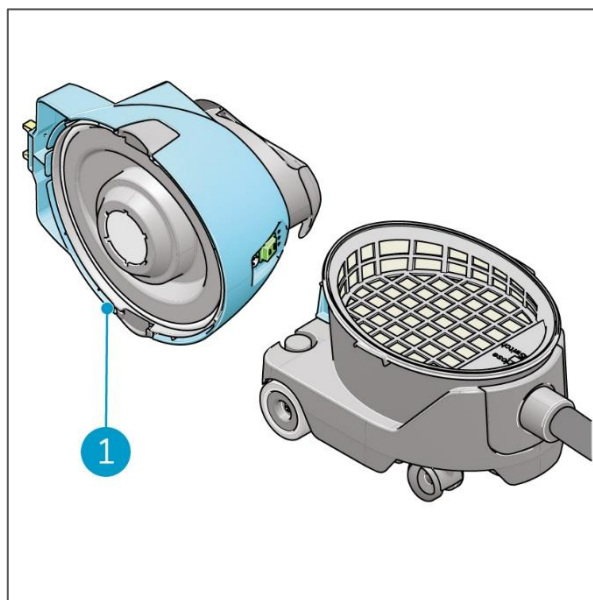


Figure 10

6. Turn the hose (Figure 11, pos 5) counterclockwise and remove it from the hose connector.
7. Remove the filter bag (Figure 11, pos 1).
8. Pull the cardboard tag (Figure 11, pos 3) to seal the dust bag.
9. Fold the ends of the dust bag (Figure 11, pos 2) towards each other.
10. Remove the old dust bag (Figure 11, pos 4).

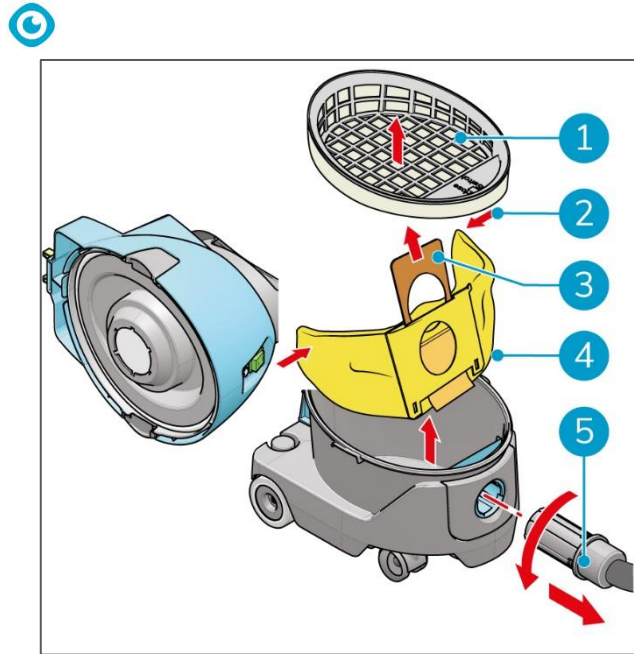


Figure 11

11. Slide the cardboard collar of the new dust bag (Figure 12, pos 1) fully into the slots to insert the dust bag.
12. Unfold the dust bag (Figure 12, pos 2).
13. Replace the filter bag (Figure 12, pos 3).

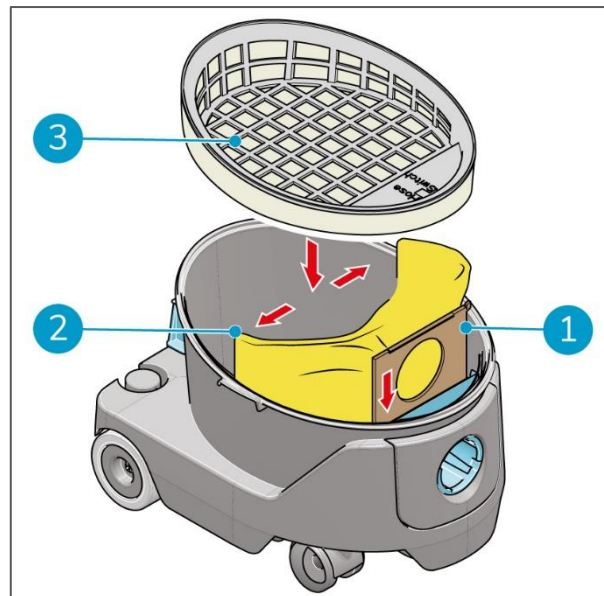


Figure 12

14. Place the hose (Figure 13, pos 1) into the hose connector (Figure 13, pos 2) turn it clockwise to lock it.

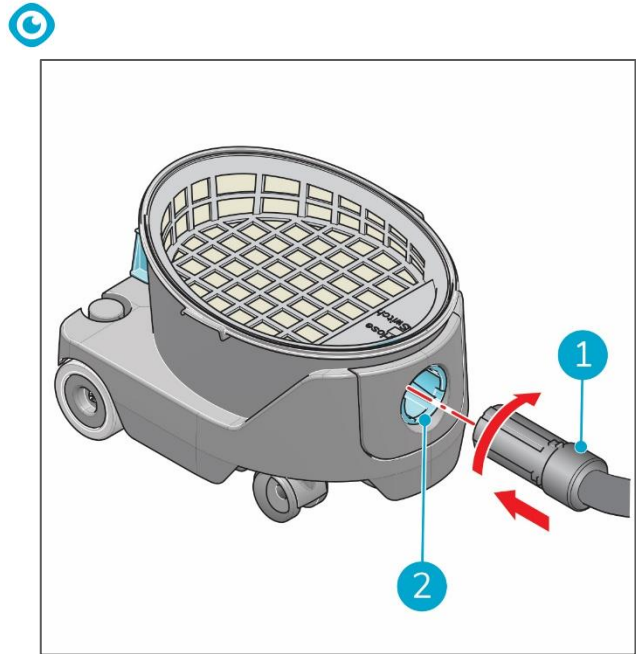


Figure 13

15. Place the head (Figure 14, pos 1) onto the can.

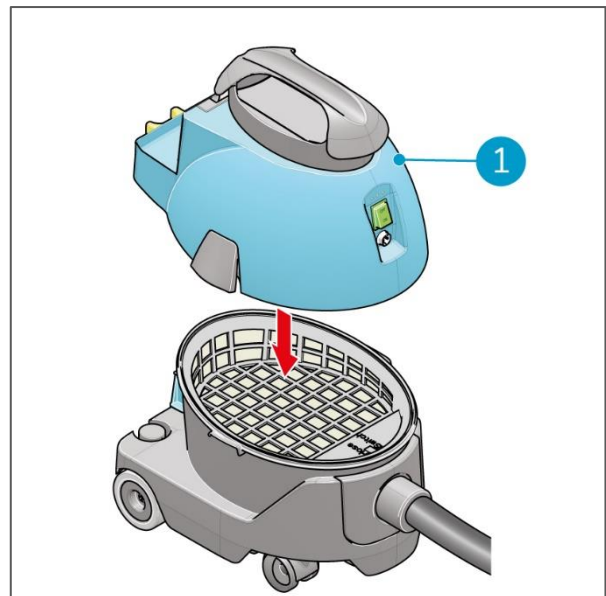


Figure 14



16. Fasten the latches (Figure 15, pos 1).

17. Replace the battery (Figure 15, pos 2).

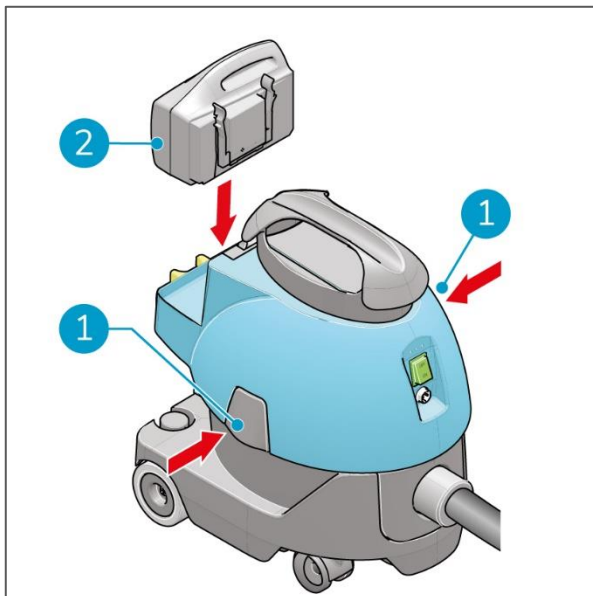


Figure 15



ATTENTION

Make sure that the head is correctly placed on the can, otherwise false air may be sucked in and this affects the performance of the i-vac 5B®.



6 Operation

6.1 Before you start

1. Check the i-vac 5B® for damage or defects.
2. Make sure that the dust bag is placed in the i-vac 5B, see section 5.3.
3. Make sure you have the correct tool for the intended purpose, see Figure 2.
4. Check the brush from the tool for wear and tear.
5. Make sure the motor filter is clean, see section 7.1.3.

6.1.1 Height adjustment

Add or remove a section of the wand (Figure 16, pos 1) to adjust the length.

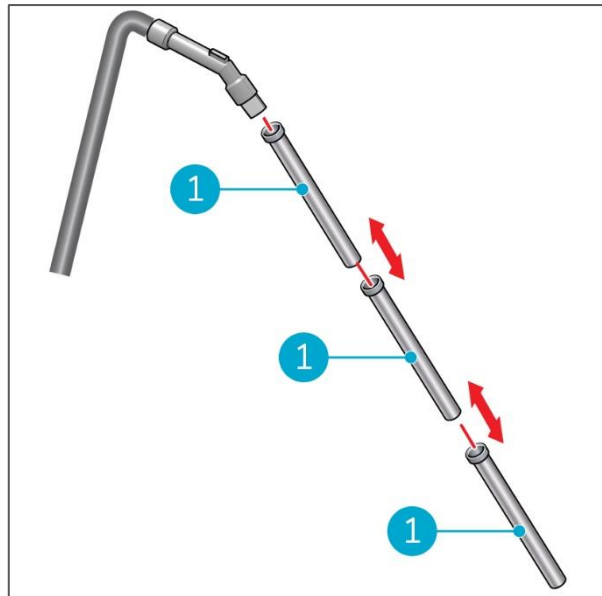


Figure 16

6.1.2 Insert the battery

1. Insert the battery (Figure 17, pos 1) in the slot (Figure 17, pos 2), until you hear a "click". The battery is now fixated.
2. Press the ON/OFF switch (Figure 17, pos 3) to turn on the i-vac 5B.
3. Check the battery power status LED located above the ON/OFF switch (Figure 17, pos 4). See section 2.1.
4. Press the ON/OFF switch (Figure 17, pos 3) to turn off the i-vac 5B.

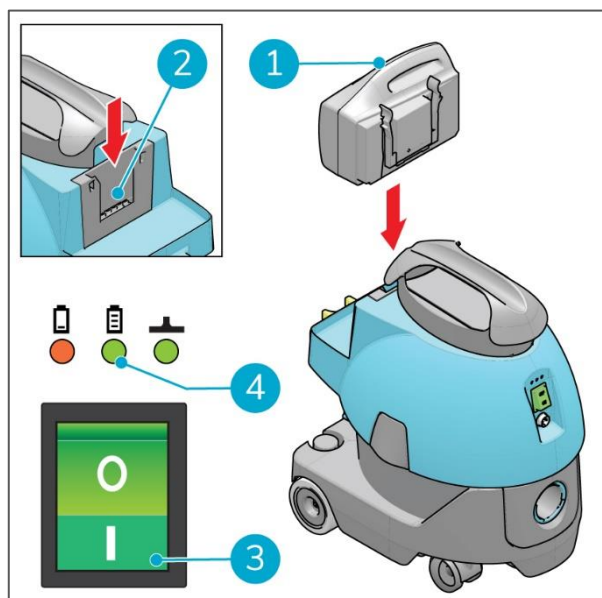


Figure 17

TIP:

It is not recommended to use the battery when charged less than 40%.



6.2 Normal operation

1. Press the ON/OFF switch (Figure 18, pos 1) to start the i-vac 5B®. The green light in the ON/OFF switch will go on.
2. Take the wand from the holder (Figure 18, pos 2).
3. Start vacuuming.

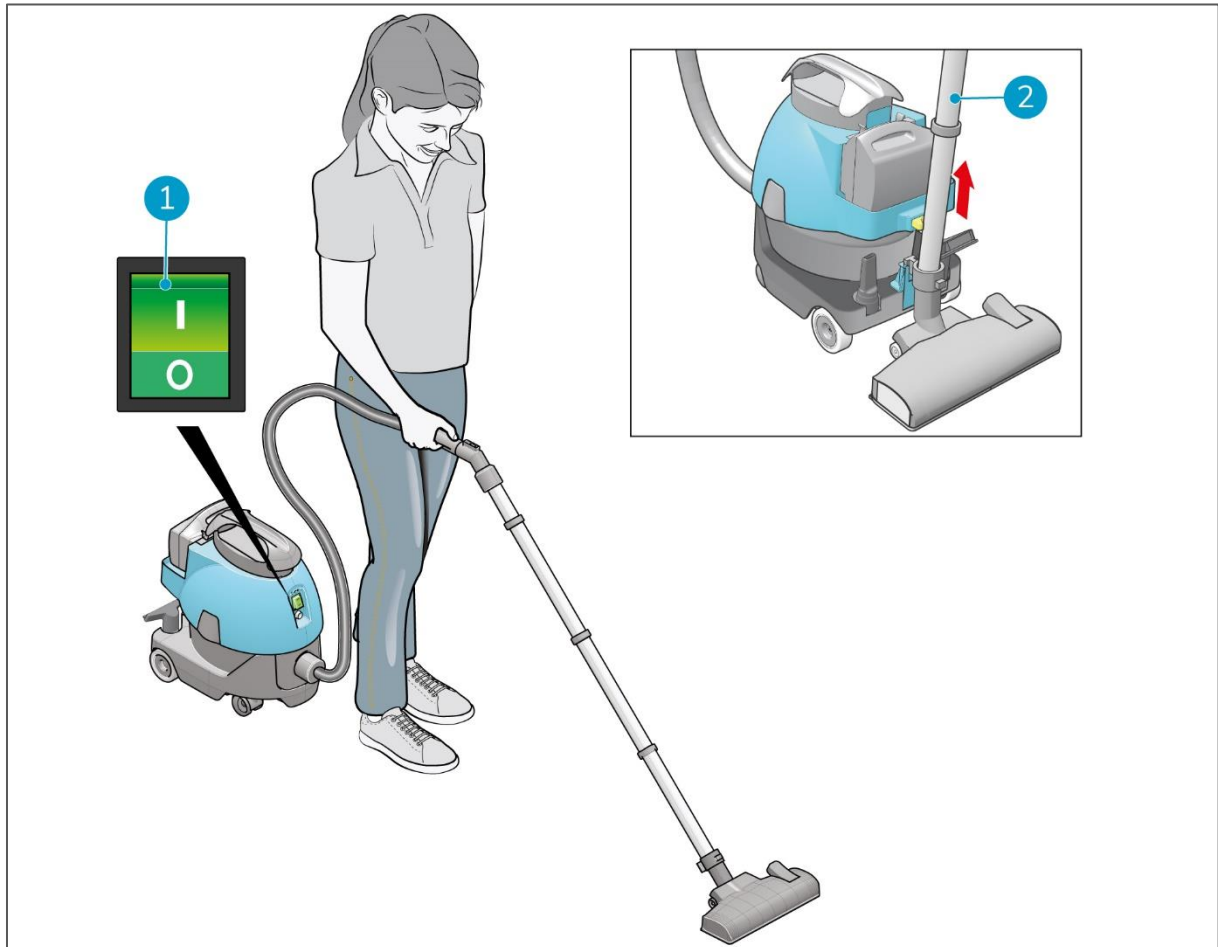


Figure 18

6.2.1 After normal operation

1. Press the ON/OFF switch (Figure 18, pos 1) to switch off the i-vac 5B.
2. Place the wand back in the holder (Figure 18, pos 2).



6.2.2 Remove the battery

1. Press the plastic clips of the battery (Figure 19, pos 1) slightly towards each other.
2. Pull out the battery (Figure 19, pos 2).
3. Place the battery in the charger for next use.

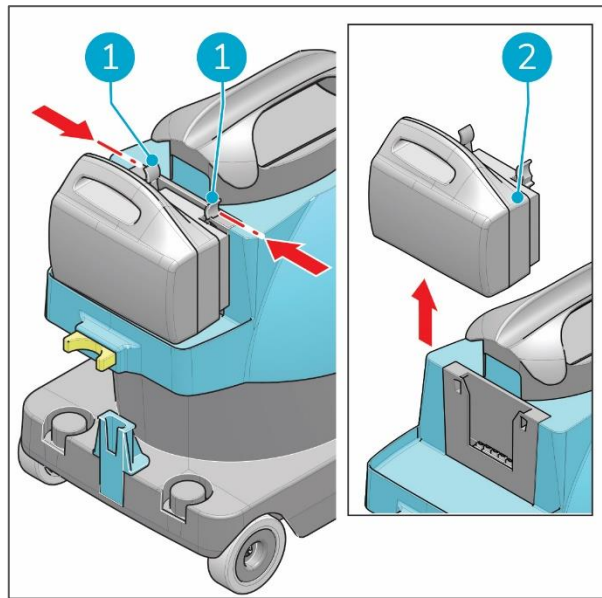


Figure 19



6.3 Operation with i-brush®

1. Turn the hose of the standard equipment counterclockwise (Figure 20, pos 6).
2. Remove the hose from the main body of the i-vac 5B®.
3. Insert the hose of the i-brush (Figure 20, pos 4) into the hose connector (Figure 20, pos 2).
4. Turn the hose clockwise to lock it into place.
5. Push the plug from the i-brush (Figure 20, pos 5) onto the connector on the i-vac 5B (Figure 20, pos 1) and tighten the ring of the plug.
6. Press the ON/OFF switch (Figure 20, pos 7) to turn on the i-vac 5B.
7. Press the ON/OFF switch (Figure 20, pos 3) to turn on the i-brush.
8. Start vacuuming. The i-brush works best if **no pressure** is applied to the brush.

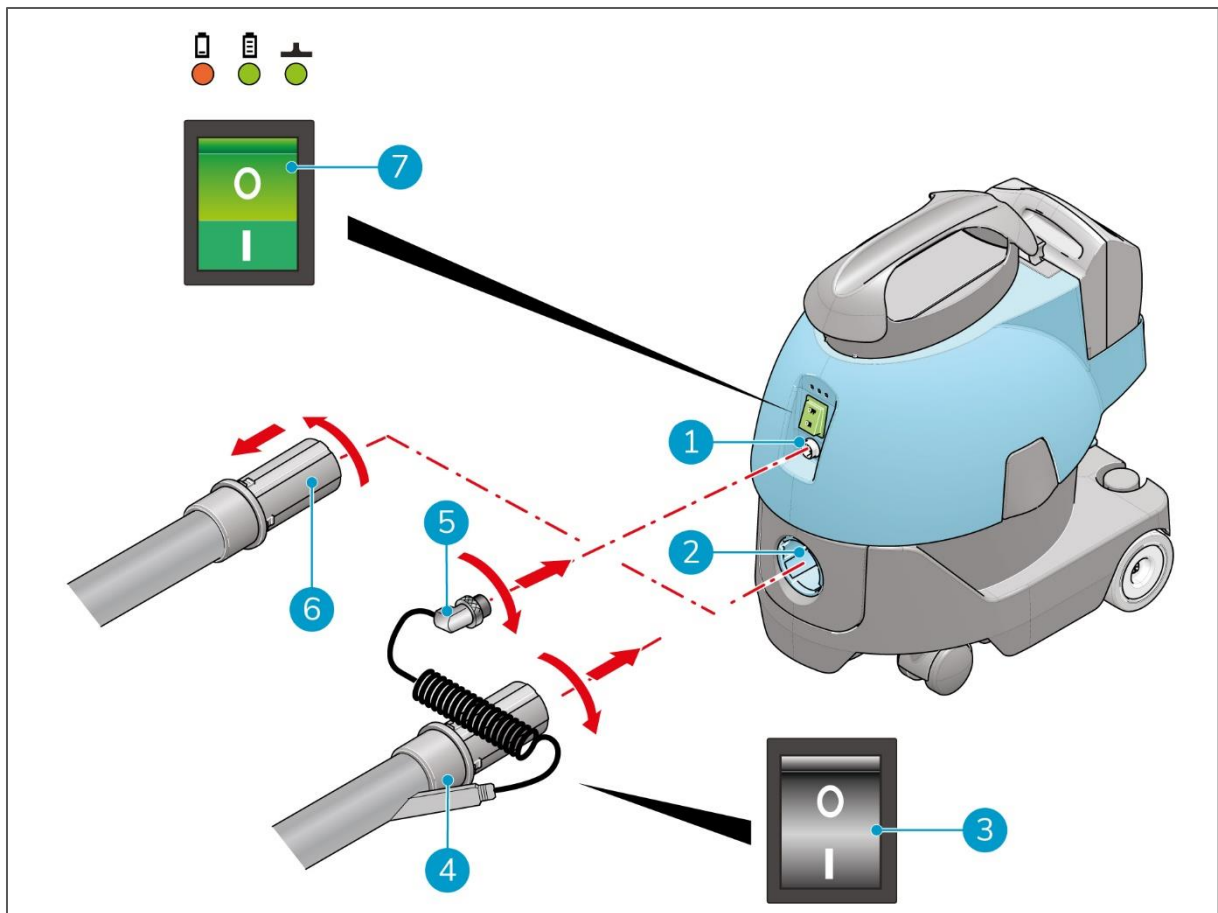


Figure 20

6.3.1 After operation with i-brush

1. Press the ON/OFF switch (Figure 20, pos 3) to turn off the i-brush.
2. Press the ON/OFF switch (Figure 20, pos 7) to turn off i-vac 5B.



6.3.2 Remove the battery

1. Press the plastic clips of the battery (Figure 21, pos 1) slightly towards each other.
2. Pull out the battery (Figure 21, pos 2).
3. Place the battery in the charger for next use.

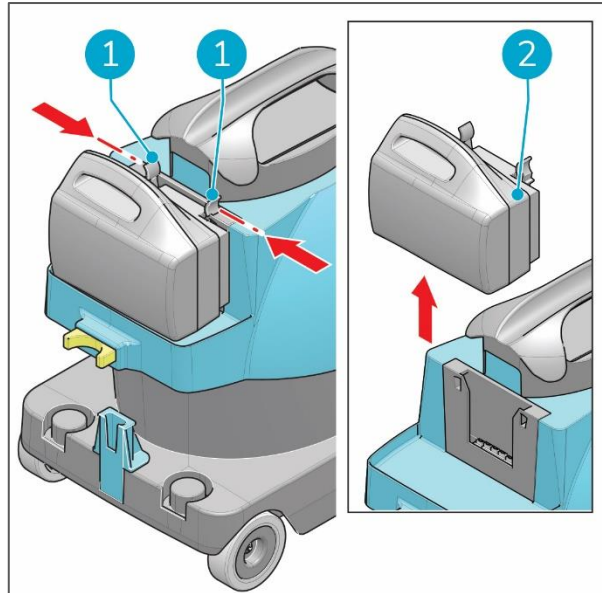


Figure 21



7 Maintenance



WARNING

Before you start maintenance or replacing parts; **Turn off the i-vac 5B® and remove the battery.**

The i-vac 5B does not require much maintenance however it is recommended to clean the machine after using it and before storing it.

For a proper functioning and a long lifespan of the i-vac 5B, it is important to follow the recommended maintenance intervals mentioned in this manual. See section 7.4.

Maintenance that is not described in this manual should be done by your i-vac 5B partner. Please make sure to have the model and serial number of the i-vac 5B available when you call a partner. For more information please fill out the contact form on www.i-teamglobal.com.

Maintenance and assembling or disassembling of the i-vac 5B may only be done by a person who:

- has correctly read and understood the instructions in this manual;
- is trained by an experienced operator who has read and understood the instructions in this manual;
- is an adult person.

7.1 Cleaning



WARNING

DO NOT clean the i-vac 5B with a high pressure cleaner.
DO NOT submerge the i-vac 5B in water.

7.1.1 Clean the machine

Clean the exterior of the machine using a damp cloth.

7.1.2 Clean the hose and wand

Keep the hose and wand clear. Remove objects that cause a blockage by beating the hose or wand gently with your hand.



WARNING

DO NOT use a sharp object to clean the hose or wand.



7.1.3 Replacing the motor filter

1. Turn off the i-vac 5B® with the ON/OFF switch (Figure 22, pos 1).
2. Remove the battery (Figure 22, pos 4).
3. Release the latches (Figure 22, pos 2).
4. Lift the head by the handle (Figure 22, pos 3).

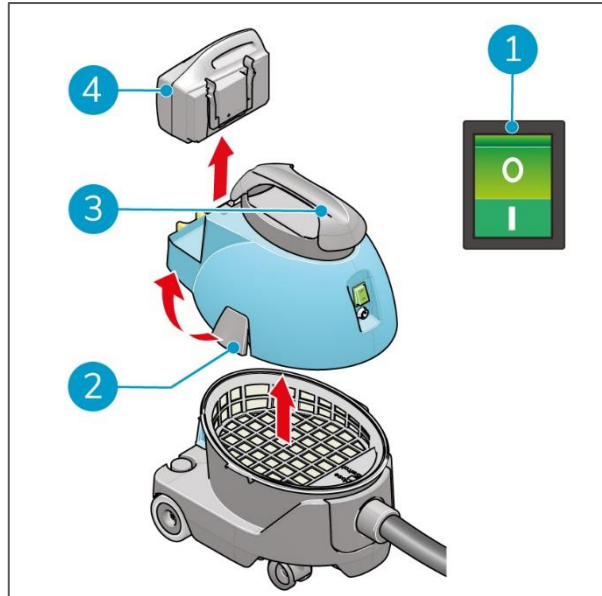


Figure 22

5. Place the head on its side on a level surface.
6. Remove the old motor filter (Figure 23, pos 1).
7. Place the new motor filter (Figure 23, pos 1).

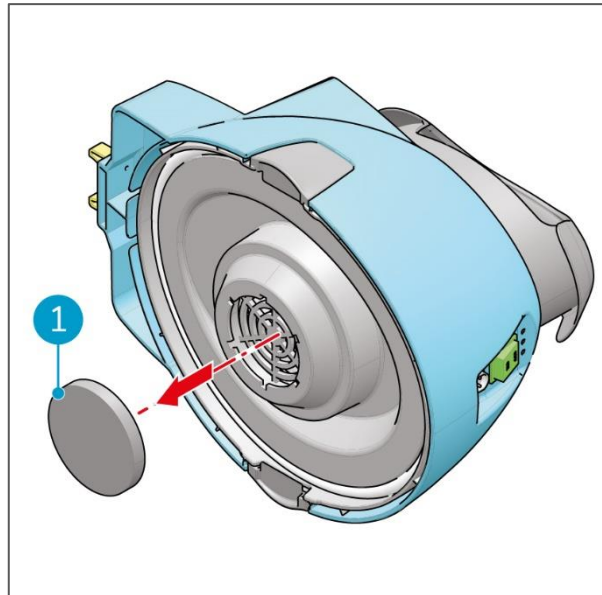


Figure 23

8. Place the head (Figure 24, pos 1) back on the can.

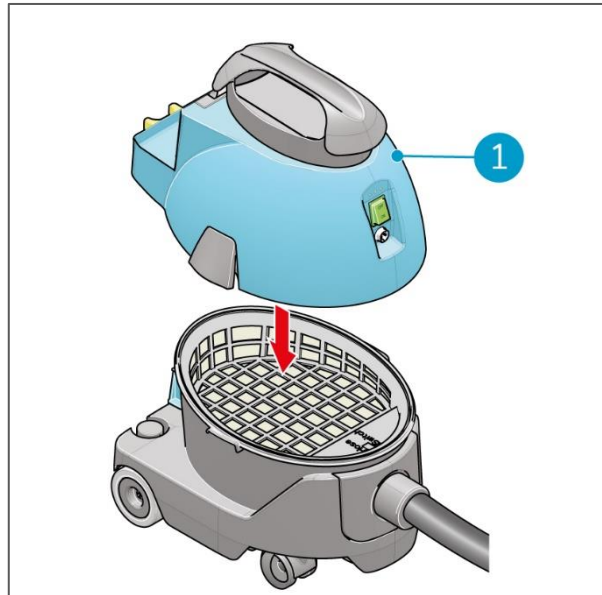


Figure 24

9. Fasten the latches (Figure 25, pos 1).
10. Replace the battery (Figure 25, pos 2).

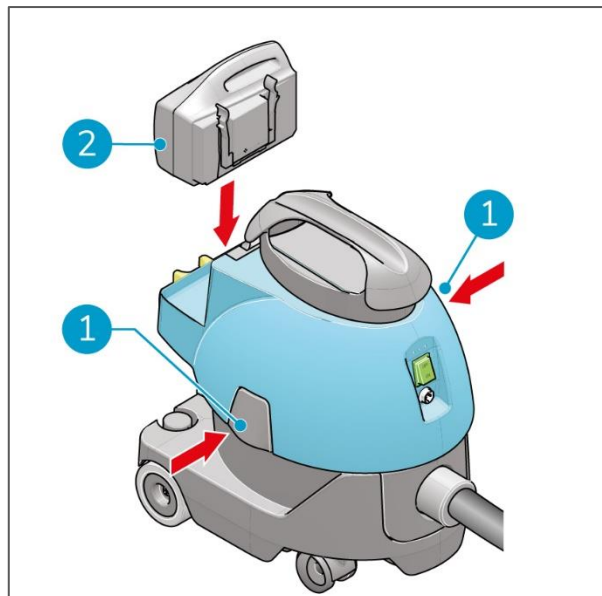


Figure 25

7.2 Brush and tool condition

Check the condition of the brush or tool for wear and tear before use. Only change the brush or tool when the machine is turned off.

7.3 Damaged or worn parts

Damaged or worn parts need to be replaced immediately. Contact your local i-team Global partner or visit www.i-teamglobal.com for more information.



7.4 Maintenance frequency

Make sure that routine and preventive maintenance is carried out periodically to ensure safe operation. Failure to carry out maintenance as necessary may cause damage to the i-vac 5B® and may cause a risk to the operator.

Check the i-vac 5® for damage or defects before you use it.

Check the dust bag every week and replace it if it is full.

Change the motor filter every three months or after a period of intensive use.

Authorized personnel should inspect the i-vac 5B once every year.

7.5 Storage

Store the i-vac 5B indoors.



8 Trouble shooting

Problem	Cause	Solution
No power, green light in ON/OFF switch does not burn	No battery	Insert battery.
	Empty battery	Charge battery.
	ON/OFF switch off	Turn on ON/OFF switch.
i-vac 5B® stops working	Motor overheated, a thermal switch stopped the motor	Let the i-vac 5B cool down. Check the filters, dust bag and hose. Wait approximately 30 minutes. Start the i-vac 5B by pushing the "ON" button.
Little suction power	Filter bag full	Turn off the i-vac 5B and replace filter bag.
	Filter is full	Turn off the i-vac 5B and replace filter.
	Hose blocked	Turn off the i-vac 5B and remove blockage.
	Wand blocked	Turn off the i-vac 5B and remove blockage.
	Tool blocked	Turn off the i-vac 5B and remove blockage.
	Hose not well attached	Turn off the i-vac 5B and reattach hose.
	Head not well placed on can	Turn off the i-vac 5B and replace the head on the can.
i-vac 5B makes strange sound	Motor is broken	Change motor.
	Carbon brushes are worn	Replace carbon brushes.
i-vac 5B smells strange	Filter is full	Turn off the i-vac 5B and replace filter.
Battery not charging	Battery is end of life	Replace battery.



9 Decommissioning and disposal



ATTENTION

It is the responsibility of the i-vac 5B® owner to dispose of the product responsibly.

At the end-of-life the i-vac 5B still contains valuable resources and needs to be disposed of according to your local laws and regulations regarding recycling of electrical equipment.

Before disposal please:



1. Remove the battery for separate disposal (see section 6.3.2).

TIP:

Alternatively, keep the battery for use in another piece of i-team equipment.

2. Remove all loose components like hose, wand and tools.
3. Dispose all items according to your local laws and regulations.

TIP:

Contact you local i-team partner to explore all possibilities of returning components at the end-of-life of your i-vac 5B.



10 Attachments

10.1 CE Certificate



EG/EC DECLARATION OF CONFORMITY

We: i-team PROFESSIONAL

Hereby declare the following equipment:

Product: Vacuum Cleaner

Model: C5B

Rating: DC24V, 450W

Class III

IPX0

Fulfills all the relevant provisions of European low Voltage Directive 2014/35/EU and EMC Directive 2014/30/EU. This equipment has been designed and manufactured in accordance with following harmonized European standards:

EN 55014-1: 2017

EN 55014-2: 2015

EN 62233: 2015

EN 61000-3-2: 2014

EN 61000-3-3: 2014

Eindhoven, May 2019

(Place and Date of issue)

Frank van de Ven
Director

(name and signature or equivalent marking or authorized person)

Hoppenkull 31 | 5626 DD | Eindhoven | NL | Hoppenkull 31 | 5626 DD | NL | Phone (+31) 40 266 24 00

hello@i-teamglobal.com | www.i-teamglobal.com | CoC 58299416 | VAT No. NL852973068801

Rabobank | Swift RABONL2U | Eur No. 104462345 | IBAN NL71RABO0104462345 | USD No. | IBAN NL71RABO0104462345



This document is part of the technical file of the i-vac 5B[®] and will be available upon request.