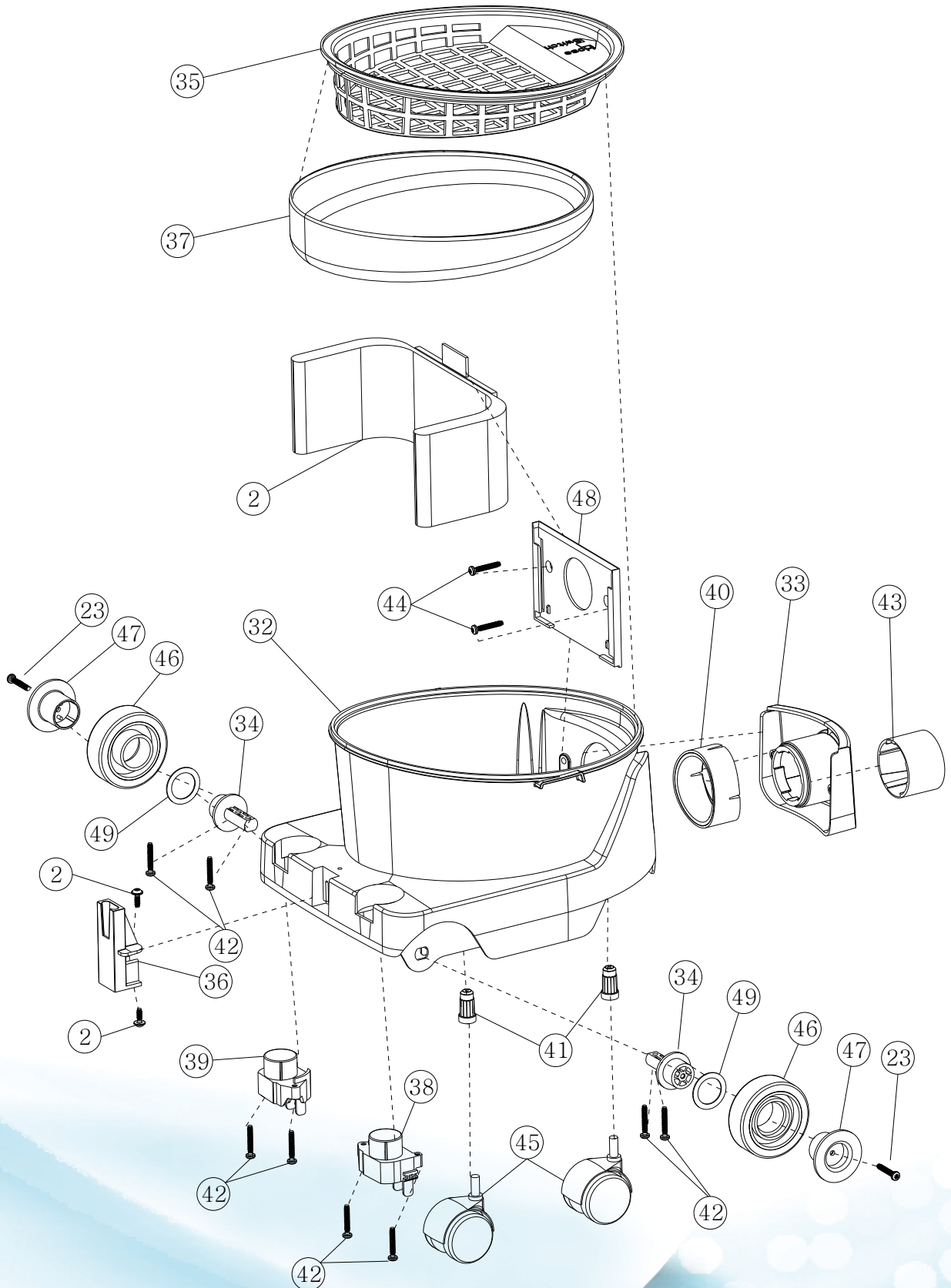




i-vac5





ITEM NO.	PART NUMBER	QTY	DESCRIPTION
1	CABLE	1	CABLE 8MTR-A. C. (2P/3P/EUR/UL/ETC)
2	22.0094.830	1	PAPER BAG S/F C05/C06
3	00.0002.3	8	SCREW ST4.25 X 16 FLANCH HEAD
4	00.0002.42	2	SCREW ST3.5 X 13.6 COUNTERSUNK
5	04.0009.30	1	SWITCH 4P LIGHT GREEN 0/I
6	04.0030.0	1	CONNECTION BRACKET 2P
7	04.0082.9	2	WIRE BLIMM2 200MM PL/PL CSA
8	05.0077.2	1	SUPR. RFI HOOV WITH TERM 0.33uF
9	105.0001.X	1	MOTOR PLATE
10	105.0002.X	1	COVER
11	105.0003.X	1	MAIN GRIP
12	105.0004.X	1	LOCK CLIP LEFT
13	105.0005.X	1	LOCK CLIP RIGHT
14	105.0006.0	2	LOCK CLIP BRACKET
15	105.0009.0	1	MOTOR DEFLECTOR
16	105.0016.0	1	Rubber seal Dia10
17	105.0017.0	8	SCREW ST3.4 X 25
18	105.0018.0	1	SILENCERS-COTTON 1
19	105.0019.0	1	SILENCERS-COTTON 2
20	105.0021.0	1	SILENCERS-COTTON
21	57.0000.04	1	WASHER PLAIN
22	72.0002.2	1	RECEPT INLET 2P+TWO SCREW HOLES
23	73.0002.3	6	SCREW ST5.05 X 16
24	84.1020.31	2	WIRE BLACK 400MM
25	S.03.0178.0	1	CABLE RESTRAIN ASSEMBLY
26	04.0082.910	2	WIRE BLIMM2 200MM
27	MOTOR	1	MOTOR 850W
28	70.0007.2	1	MOTOR SUSPEND RUBBER
29	70.0007.4	1	BOTTOM RUBBER
30	78.0200.0	1	BITUMENTAPE
31	78.0300.0	1	BITUMENTAPE TOP
32	105.0000.X	1	CANNISTER
33	105.0007.X	1	HOSE CONNECTOR BLOCK
34	105.0008.0	2	REAR CASTOR FIXATION AXIS
35	105.0010.0	1	FILTER FRAME
36	105.0011.X	1	PARKING SUPPORT BLOCK
37	105.0013.0	1	NONWOVEN BAG
38	105.0014.X	1	TOOLS PARKING BLOCK LEFT
39	105.0015.X	1	TOOLS PARKING BLOCK RIGHT
40	105.0022.0	1	RUBBER for inlet
41	25.0020.0	2	SOCKETS DOUBLE CASTOR
42	54.0027.2	8	SCREW ST5X20
43	70.0016.X	1	INSERT DUPRO
44	73.0005.30	2	SCREW ST6 X 32
45	76.0012.0	2	CASTOR DOUBLE 50MM RUBBER/B/NY
46	77.0007.0	2	REAR CASTOR GREY
47	77.0008.X	2	REAR CASTOR COVER
48	77.0009.X	1	PAPERBAG HOLDER
49	78.0008.1	2	SHIMRING C06/9

