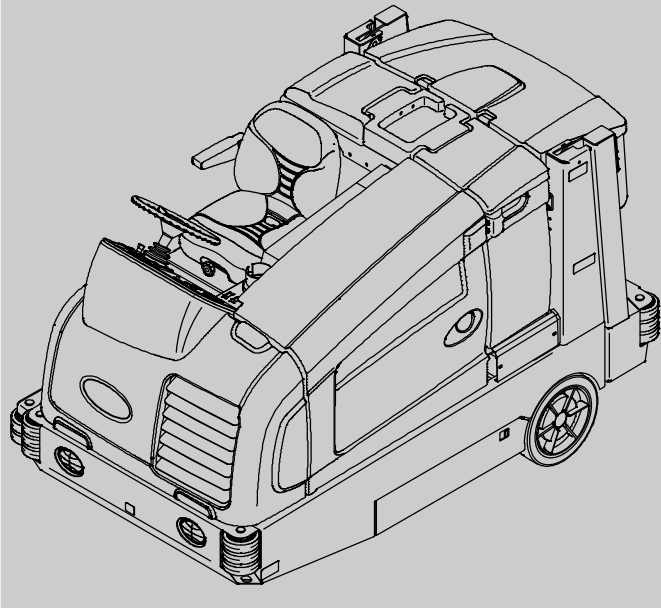
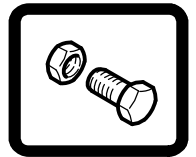




M20

(Diesel)

(S/N 008000-)
Scrubber-Sweeper
Parts Manual



The Safe Scrubbing Alternative[®]

ES[®] Extended Scrub System

TennantTrue[®] Parts

Hygenic[®] Fully Cleanable Tanks

FloorSmart[®] Integrated Cleaning System

IRIS[®] a Tennant Technology

Pro-Panel[™]

Insta-Fit[™] Adapter



An ORBIO[™] Technology

North America / International

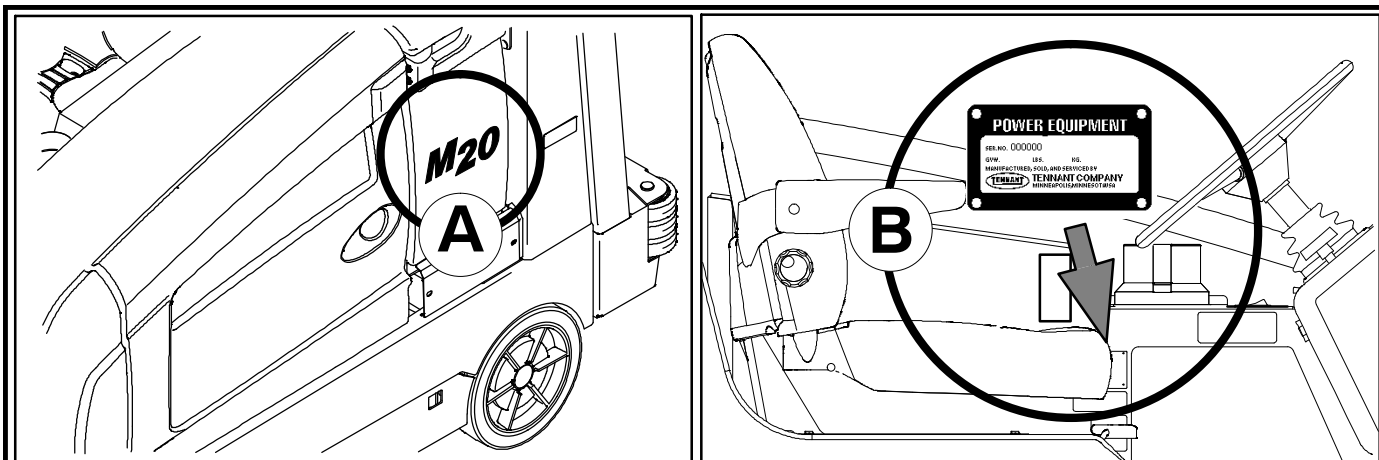


For the latest Parts manuals and other
language Operator manuals, visit:

www.tennantco.com/manuals

9016051
Rev. 06 (11-2020)





Ref	Part No.	Serial Number	Description	Qty.
1	82681	(000000—)	Bracket Wldt, Lpg Mount	1
2	63810	(000000—)	Latch Assy, Lpg Tank Mtg, W/Nut	4
3	51839	(000000—)	Nut Adjustable, Lpg Tank Mtg	2
4	49263	(000000—)	Tie, Cable	3
5	82556	(000000—001039)	Bracket, Vaporizer	1
6	54930	(000000—)	Vaporizer, LPG	1

HOW TO ORDER PARTS – See diagram above

Only use TENNANT Company supplied or equivalent parts. Parts and supplies may be ordered online, by phone, by fax or by mail.

Follow the steps below to ensure prompt delivery.

1. **(A)** Identify the machine model.
2. **(B)** Identify the machine serial number from the data plate.
3. **(C)** Ensure the proper serial number is used from the parts list.
4. Identify the part number and quantity. Do not order by page or reference numbers.
5. Provide your name, company name, customer ID number, billing and shipping address, phone number and purchase order number.
6. Provide detail shipping instructions.

(D) ▽ – Identifies an assembly
 ▲ – Identifies parts included in assembly

EN

Please fill out at time of installation for future reference.

Model No. – _____

Serial No. – _____

Machine Options – _____

Sales Rep. – _____

Sales Rep. phone no. – _____

Customer ID Number – _____

Installation Date – _____

Tennant Company
 10400 Clean Street
 Eden Prairie, MN 55344-2650
 Phone: (800) 553-8033 or (763) 513-2850
 www.tennantco.com

Thermo-Sentry, Touch-N-Go, 1-STEP, Clean-Wedge, Variable Drain Valve, EasyOpen, Grip-N-Go, MaxPro2, Dura-Track, SmartRelease, InstantAccess, Duramer, FaST-PAK, ErgoSpace and Lower Total Cost of Ownership are trademarks of Tennant Company.

Specifications and parts are subject to change without notice.

Original Information, copyright © 2016, 2017, 2018, 2019, 2020 TENNANT Company, Printed in U.S.A.

CN	<p>如何订购部件 - 参见下表</p> <p>仅使用 TENNANT 公司提供的或同等部件。部件和供应可以在线订购，通过电话、传真或邮件订购。请遵循下面的步骤确保及时交付。</p> <ol style="list-style-type: none"> 1. (A) 确定机器型号。 2. (B) 从数据标签确定机器序列号。 3. (C) 确保使用部件列表中的正确序列号。 4. 确定部件号和数量。 不要按页面或参考编号订购。 5. 提供您的姓名、公司名称、客户 ID 号、付帐和送货地址、电话号码和采购单编号。 6. 提供详细的送货说明。 <hr/> <p>(D) ▽ - 确定组件 ▲ - 确定组件中包含的组件</p>	<p>请在安装时填写供未来参考。</p> <p>型号 - _____</p> <p>序列号 - _____</p> <p>机器选项 - _____</p> <p>销售代表 - _____</p> <p>销售代表电话号码 - _____</p> <p>客户 ID 编号 - _____</p> <p>安装日期 - _____</p>
-----------	--	--

ES	<p>CÓMO SOLICITAR PIEZAS - Consulte el diagrama anterior.</p> <p>Utilice sólo las piezas suministradas por TENNANT Company o piezas equivalentes. Puede solicitar las piezas a través de internet, por teléfono, por fax o por correo.</p> <p>Siga los siguientes pasos para que la entrega sea rápida.</p> <ol style="list-style-type: none"> 1. (A) Indique el modelo de máquina. 2. (B) Indique el número de serie de la etiqueta de datos. 3. (C) Asegúrese de que indica el número de serie correcto de la lista de piezas. 4. Indique la cantidad y el número de la pieza. No realice el pedido indicando el número de página o el de referencia. 5. Incluya su nombre, el nombre de la empresa, el ID de cliente, las direcciones de envío y facturación, el número de teléfono y el número del pedido de compra. 6. Facilite instrucciones de envío. <hr/> <p>(D) ▽ - identifica un conjunto ▲ - identifica piezas de un conjunto</p>	<p>Rellene estos datos cuando realice la instalación para utilizarlos como referencia en el futuro.</p> <p>Nº modelo - _____</p> <p>Nº serie - _____</p> <p>Opciones de la máquina - _____</p> <p>Vendedor - _____</p> <p>Nº teléfono vendedor - _____</p> <p>Nº cliente - _____</p> <p>Fecha de instalación - _____</p>
-----------	--	---

FR	<p>COMMENT COMMANDER DES PIÈCES DÉTACHÉES - Voir le schéma ci-dessus.</p> <p>Utilisez uniquement des pièces fournies par la société TENNANT ou équivalentes. Les pièces et fournitures peuvent être commandées en ligne, par téléphone, fax, ou par courrier.</p> <p>Suivez les étapes ci-dessous pour assurer une livraison rapide.</p> <ol style="list-style-type: none"> 1. (A) Identifiez le modèle de la machine. 2. (B) Identifiez le numéro de série de la machine, à partir de l'étiquette signalétique. 3. (C) Assurez-vous que le numéro de série correct est utilisé à partir de la liste de pièces détachées. 4. Identifiez le numéro de pièce et la quantité. Ne commandez pas par page ou numéros de référence. 5. Fournissez votre nom, le nom de votre société, votre numéro d'identification de client, l'adresse de facturation et d'expédition, le numéro de téléphone et le numéro du bon de commande. 6. Fournissez des instructions d'expédition détaillées. <hr/> <p>(D) ▽ - identifie un assemblage ▲ - identifie les pièces composant l'assemblage</p>	<p>A remplir au moment de l'installation à titre de référence.</p> <p>Nº du modèle - _____</p> <p>Nº de série - _____</p> <p>Options de la machine - _____</p> <p>Agent commercial - _____</p> <p>Nº tél. de l'agent commercial - _____</p> <p>Numéro d'identification client - _____</p> <p>Date d'installation - _____</p>
-----------	--	---

JP	<p>パーツの発注方法 ? 上記の図を参照してください</p> <p>TENNANT社製のパーツまたは同等品のみをお使いください。パーツやサプライ品のご注文は、オンライン、電話、FAX、または手紙でお願いいたします。確実にお届けできるように、以下の情報お知らせください。</p> <ol style="list-style-type: none"> 1. (A) 製品のモデル名をお知らせください。 2. (B) 製品のデータラベルに印刷されているシリアル番号をお知らせください。 3. (C) パーツリストを参照して、シリアル番号が正しいかご確認ください。 4. パーツ番号と数量をお知らせください。マニュアル/カタログのページ番号や参照番号でのご注文はご遠慮ください。 5. お客様のお名前、会社名、顧客ID番号、請求/発送先住所、電話番号、注文書番号をお知らせください。 6. 発送に関するご希望があれば、明記してください。 <hr/> <p>(D) ▽ - アセンブリを示します ▲ - アセンブリに含まれるパーツを示します</p>	<p>後日確認できるように、設置時に記入してください。</p> <p>モデルNo. - _____</p> <p>シリアルNo. - _____</p> <p>製品のオプション - _____</p> <p>販売代理店 - _____</p> <p>販売代理店の電話番号 - _____</p> <p>顧客ID番号 - _____</p> <p>設置日 - _____</p>
-----------	---	---

GENERAL RECOMMENDED MAINTENANCE

General Recommended Maintenance Items

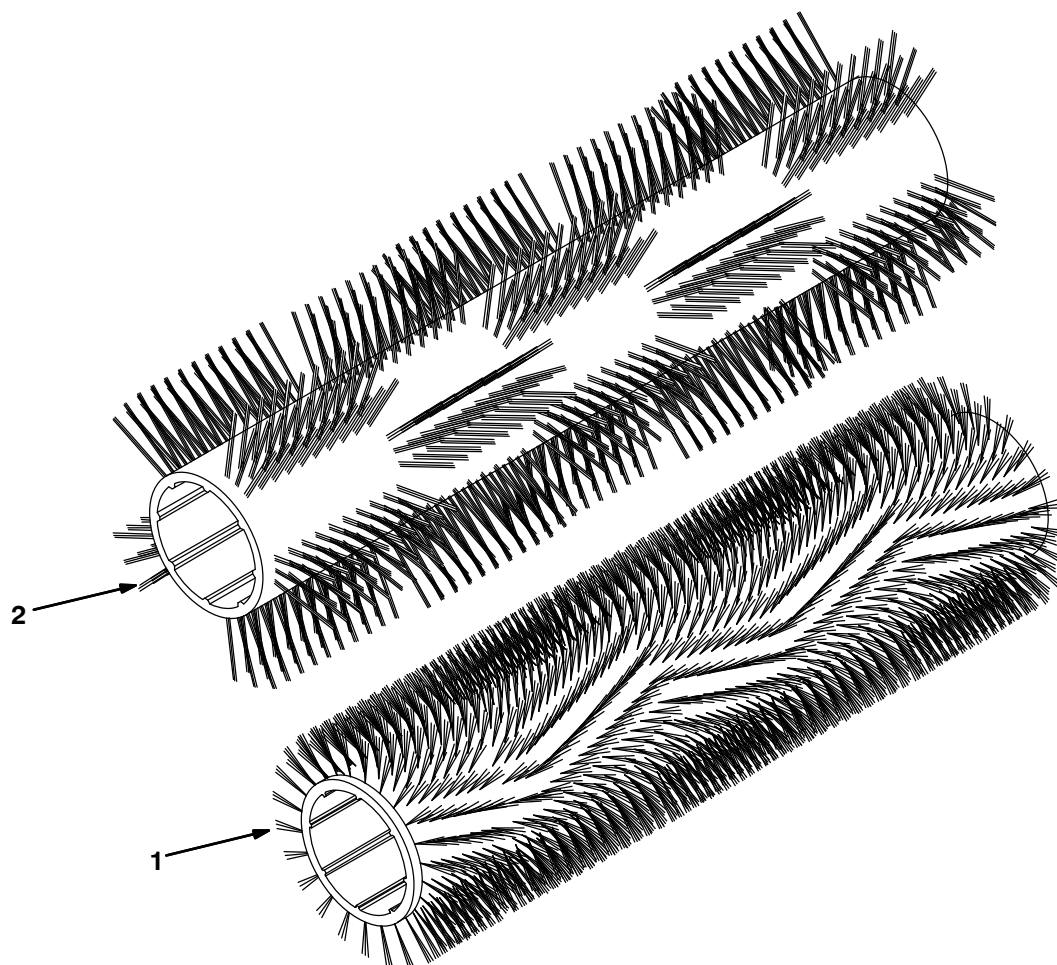
Ref.	Part No.	Serial Number	Description	Qty.
▽	9006060	(008000-) Maint Kit, 400hr, Dsl [M20/T20]	1
▲	369746	(008000-) Element, Fltr, Air [Dn]	1
▲	39703-2	(008000-) Element, Fltr, Oil, Spin-On [Ku]	1
▲	1017126	(008000-) Element, Fltr, Fuel [Dn]	1
▲	31613	(008000-) Strainer, Hyd, 25 Gpm 100 Mesh	1
▲	1021579	(008000-) Filter Assy, Hyd, 10mic	1
▲	393244	(008000-) Belt, V, 42.0L [Hc41]	1
	1048295AM	(008000-) Filter, Panl, Syn, 4.2 X 20.0 X 30.0	1
	1027290	(008000-) Filter, Soltn, 20mesh, Pm12 3.1d 02.6l	1
	87866	(008000-) Key, Ignition [Set Of 2]	1
	10143	(008000-) Battery, Wet, 12vdc 0600cca	1
	20833	(008000-) Wheel, 3.0d 1.38w 0.50b	2
	1024586	(008000-) Skirt, Neo, .06, 06.85w 27.95l, 08 Hole	2
	1019295	(008000-) Skirt, Neo, .18, 10.37w 27.95l, 12 H&S	2
	1020166	(008000-) Skirt, Neo, .06, 12.00w 45.88l, 07 Hole	1
	1022009	(008000-) Skirt, Neo, .06, 06.38w 40.86l, 06 Hole	1
	1022007	(008000-) Skirt, Rbr, .37, 04.50w 40.94l, 06 Hole	1
	1017868	(008000-) Blade, Sqge, Front, 49.58l [Linard]	1
	1031331	(008000-) Blade, Sqge, Rear, Linatex	1
	83874	(008000-) Gasket, Sqge	2
	1031011	(008000-) Blade, Sqge, .38 3.55w 038.3l, Linatex	2
	1027719	(008000-) Blade, Sqge, Front, 49.58l Ure	1
	1031945	(008000-) Blade, Sqge, Rear, 53.78l Ure	1
	1031823	(008000-) Blade, Sqge, .38 3.55w 038.3l, Ure	2
	1059091	(008000-) Blade, Sqge, Side Brush, Urethane	1
	1059092	(008000-) Blade, Sqge, Side Brush, Urethane	1
	1046980	(008000-) Blade, Sqge, Side Brush, Linatex	1
	1047238	(008000-) Blade, Sqge, Side Brush, Linatex	1
	16411	(008000-) Paint, Airdry, Off-White, 12oz	1
	16412	(008000-) Paint, Airdry, Teal, 12oz, Solid	1
	377540	(008000-) Paint, Airdry, Blk, 12oz	1
	377538	(008000-) Paint, Airdry, Gray, 12oz [Enamel]	1
	377537	(008000-) Paint, Airdry, Iron Gray, 12oz [Pwdr Coat]	1
	1057710	(008000-) Oil, Hyd [El, Iso 100, 01gal]	1
	1057711	(008000-) Oil, Hyd [El, Iso 100, 05gal]	1
	1069019	(008000-) Oil, Hyd [El, Iso 68, 01gal]	1
	1069020	(008000-) Oil, Hyd [El, Iso 68, 05gal]	1
	1057707	(008000-) Oil, Hyd [El, Iso 32, 01gal]	1
	1057708	(008000-) Oil, Hyd [El, Iso 32, 05gal]	1

SECTION 2

Contents	Page
Fig. 1 – Brushes, Replacement, Scrub Head	2-2
Fig. 2 – Brushes, Replacement, Side Brush	2-3
Fig. 3 – Main Frame Group	2-4
Fig. 4 – Operator Station Group	2-6
Fig. 5 – Operator Station Insulation Group	2-8
Fig. 6 – Instrument Panel Group	2-10
Fig. 7 – Seat Group	2-12
Fig. 8 – Steering Group	2-14
Fig. 9 – Front Cover Group	2-16
Fig. 10 – Engine Cover Group	2-18
Fig. 11 – Engine and Mount Group	2-20
Fig. 12 – Engine Fuel Tank Group	2-22
Fig. 13 – Engine Fuel Line Group	2-24
Fig. 14 – Engine Air Cleaner Group	2-26
Fig. 15 – Engine Alternator Group	2-28
Fig. 16 – Engine Muffler Group	2-30
Fig. 17 – Engine Radiator Group	2-32
Fig. 18 – Engine Radiator Hose Group	2-34
Fig. 19 – Battery and Electrical Group	2-36
Fig. 20 – Wheel Group, Front Drive	2-38
Fig. 21 – Wheel Group, Rear	2-40
Fig. 22 – Brake Pedal Linkage Group	2-42
Fig. 23 – Directional Pedal Group	2-44
Fig. 24 – Hydraulic Pump Linkage Group	2-46
Fig. 25 – Hopper Lift Arms Group	2-48
Fig. 26 – Hopper and Debris Screen Group	2-50
Fig. 27 – Hopper Cover and Dust Filter Group	2-52
Fig. 28 – Hopper Bumper Group	2-54
Fig. 29 – Hopper Door Group	2-56
Fig. 30 – Cylindrical Scrub Brush Drive Group, Left Side	2-58
Fig. 31 – Cylindrical Scrub Brush Drive Group, Right Side	2-60
Fig. 32 – Cylindrical Scrub Brush Head Lift Group	2-62
Fig. 33 – Cylindrical Brush Head Skirt Group	2-64
Fig. 34 – Squeegee Lift Group, Rear	2-66
Fig. 35 – Squeegee Group, Rear	2-68
Fig. 36 – Squeegee Linkage Group, Rear	2-70
Fig. 37 – Squeegee Group, Right Side	2-72
Fig. 38 – Squeegee Lift Group, Right Side	2-74
Fig. 39 – Squeegee Group, Left Side	2-76
Fig. 40 – Squeegee Lift Group, Left Side	2-78
Fig. 41 – Solution Tank Group	2-80
Fig. 42 – Solution Tank Drain Group	2-84
Fig. 43 – Solution Control Group	2-86
Fig. 44 – Recovery Tank Group	2-88
Fig. 45 – Recovery Tank Drain Group	2-90
Fig. 46 – Vacuum Fan Group, Scrubbing	2-92
Fig. 47 – Vacuum Fan Group, Sweeping	2-94
Fig. 48 – Hydraulic Schematic	2-96
Fig. 49 – Hydraulic Hose Group, Steering and Propel	2-98

Contents	Page
Fig. 50 – Hydraulic Hose Group, Pump and Vacuum Fans	2-100
Fig. 51 – Hydraulic Hose Group, Brush and Hopper	2-102
Fig. 52 – Hydraulic Hose Group, Squeegee Lift	2-104
Fig. 53 – Hydraulic Pumps Group	2-106
Fig. 54 – Hydraulic Cooler and Tubes Group	2-108
Fig. 55 – Hydraulic Reservoir Group	2-110
Fig. 56 – Hydraulic Valve Group	2-112
Fig. 57 – Electrical Schematic	2-114
Fig. 58 – Electrical Wire Harness Group, Main	2-122
Fig. 59 – Electrical Wire Harness Group, Diesel Engine	2-128
Fig. 60 – Electrical Wire Harness Group, Headlight	2-130
Fig. 61 – Electrical Wire Harness Group, Hopper	2-131
Fig. 62 – Electrical Wire Harness Group, Hopper Cover	2-132
Fig. 63 – Label Group	2-133

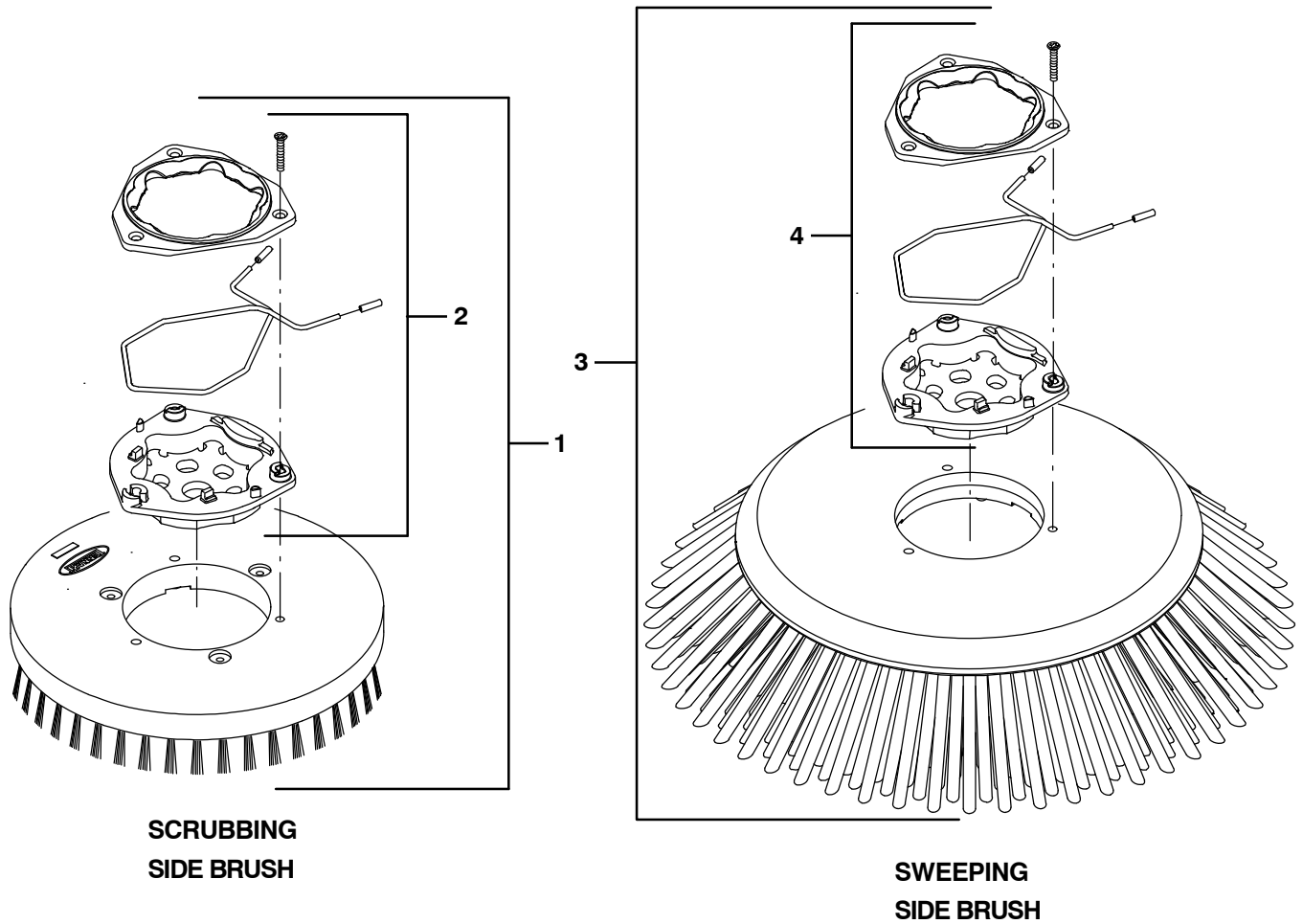
Fig. 1 – Brushes, Replacement, Scrub Head



354408 – M20

Ref.	Part No.	Serial Number	Description	Qty.
1	1026223	(008000–)	Brush, Sweep / Scb, 40L, Polypropylene, Spiral	2
1	1252156	(008000–)	Brush, Sweep / Scb, 40L, 24Sr, Super Abrasive, Spiral	2
1	1027697	(008000–)	Brush, Sweep / Scb, 40L, Polyester, Spiral	2
1	1030969	(008000–)	Brush, Sweep / Scb, 40L, Heavy Duty Polypropylene, Spiral	2
2	1040524	(008000–)	Brush, Sweep / Scb, 40L, Window, Polypropylene, Spiral	1
2	1059640	(008000–)	Brush, Sweep / Scb, 40L, Window, Super Abrasive, Spiral	1

Fig. 2 – Brushes, Replacement, Side Brush



354584 – M20, T20, NA

	Ref.	Part No.	Serial Number	Description	Qty.
▽	1	1220235	(008000–) Brush Assy, Disk, Scb, 16.0d, Nylon	1
▲	2	9014662	(008000–) Brush Kit, Hub Assy, Drive, Ci [Hdpe In]	1
▽	1	1220236	(008000–) Brush Assy, Disk, Scb, 16.0d, Heavy Duty Polypropylene	1
▲	2	9014662	(008000–) Brush Kit, Hub Assy, Drive, Ci [Hdpe In]	1
▽	1	1221543	(008000–) Brush Assy, Disk, Scb, 16.0d, Super Abrasive	1
▲	2	9014662	(008000–) Brush Kit, Hub Assy, Drive, Ci [Hdpe In]	1
▽	3	1220185	(008000–) Brush Assy, Disk, Swp, 24.0d, Polypropylene	1
▲	4	9014666	(008000–) Brush Kit, Hub Assy, Drive, Ci [Uhmw]	1

Fig. 3 – Main Frame Group

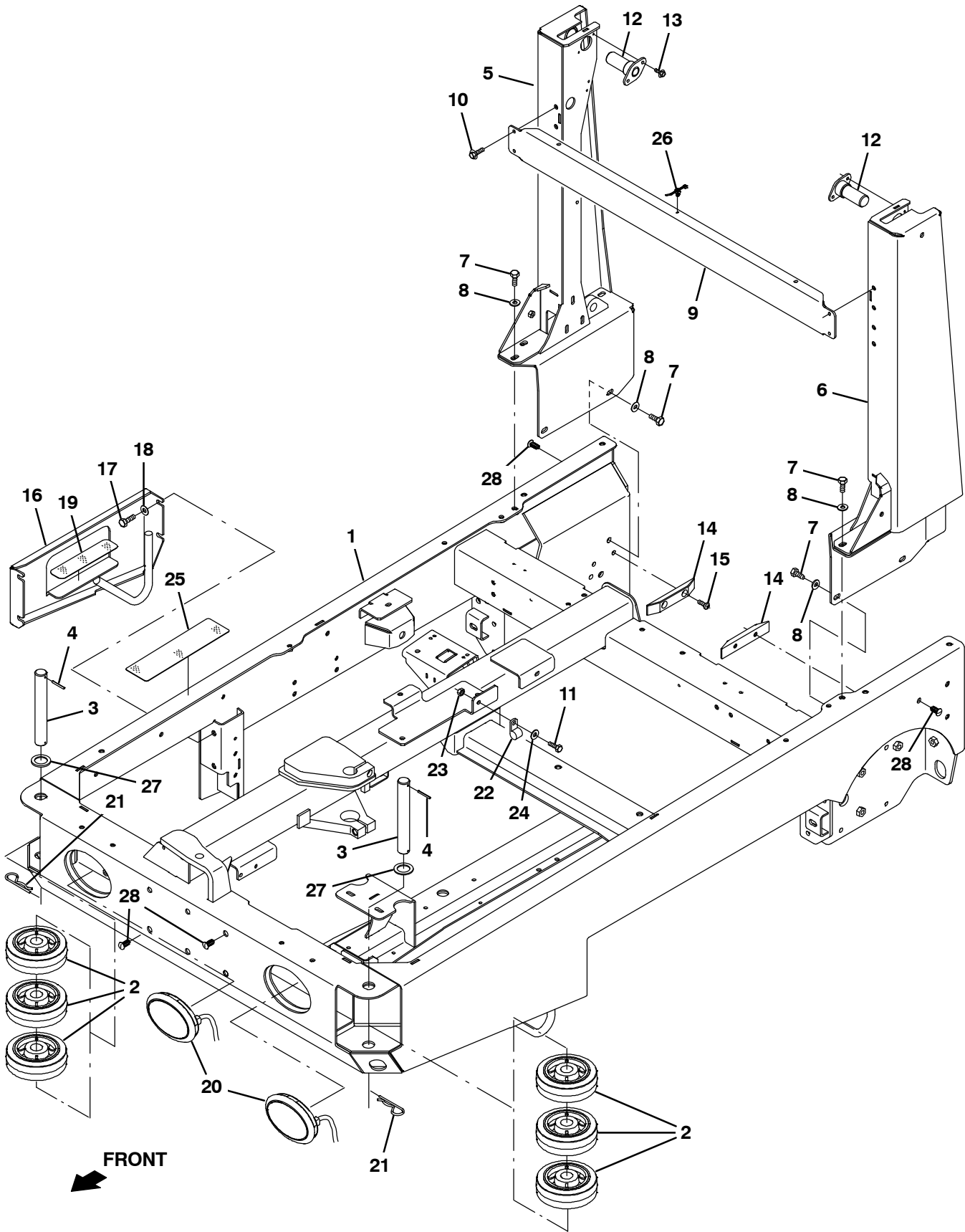


Fig. 3 - Main Frame Group

Ref.	Part No.	Serial Number	Description	Qty.
1	9002401	(008000-) Frame Wldt, Main, Replmt [M20 & T20]	1
2	1060130	(008000-) Wheel, 06.0D 2.00W 1.19B, Gray Rbr	6
3	1053838	(008000-) Pin, 30mmd X 215mml	2
4	23146	(008000-) Pin, Roll, .187d X 1.62l, .187/.192	2
5	9002400	(008000-) Tower, Wldt, Lift, Rh, Replmt [M20]	1
6	9002399	(008000-) Tower, Wldt, Lift, Lh, Replmt [M20]	1
7	39283	(008000-) Screw, Hex, M10 X 1.5 X 25, 8.8	10
8	32492	(008000-) Washer, Flat, 0.38 Std	10
9	1017791	(008000-) Channel, Upper, Tower, Lift	1
10	1037346	(008000-) Screw, Hex, M8 X 1.25 X 25, 9.8, Sems	4
11	39277	(008000-) Screw, Hex, M8 X 1.25 X 25, 8.8	1
12	1019251	(008000-) Pin Wldt, Pivot, Hppr	2
13	74455	(008000-) Screw, Hex, M6 X 1.0 X 12, Fmg	4
14	1021327	(008000-) Block, Guide, Hppr	2
15	367771	(008000-) Screw, Pan, M8 X 1.25 X 25, Ss	4
16	1027916	(008000-) Panel Wldt, Filler	1
17	12317	(008000-) Screw, Hex, M10 X 1.5 X 30, Ss	4
18	01686	(008000-) Washer, Flat, 0.44b 1.00d .08, Ss	4
19	363458	(008000-) Tread, Non-Skid, 01.9w 08.0l	1
20	1075367	(008000-) Headlight, 12Vdc, Oval, Led	2
21	34411	(008000-) Pin, Cotter, Hair, 1.00d .178 Wir	2
22	53466	(008000-) Clamp, Cable, Stl, 1.50d X 1.00w, 1hole	1
23	08709	(008000-) Nut, Hex, Lock, M8 X 1.25, NI	1
24	32491	(008000-) Washer, Flat, 0.31, Std	1
25	58819	(008000-) Tread, Non-Skid, 03.0w 11.6l	1
26	1210807	(008000-) Wire, Tie [W/.25" Fir Tree Clip]	1
27	1062566	(008000-) Washer, Flat, 1.26B 1.88D .13, Stl, Pl	2
28	1055605	(008000-) Plug, Hole, Rnd, 0.38h .4-.7, Blk Nyl	12

Fig. 4 - Operator Station Group

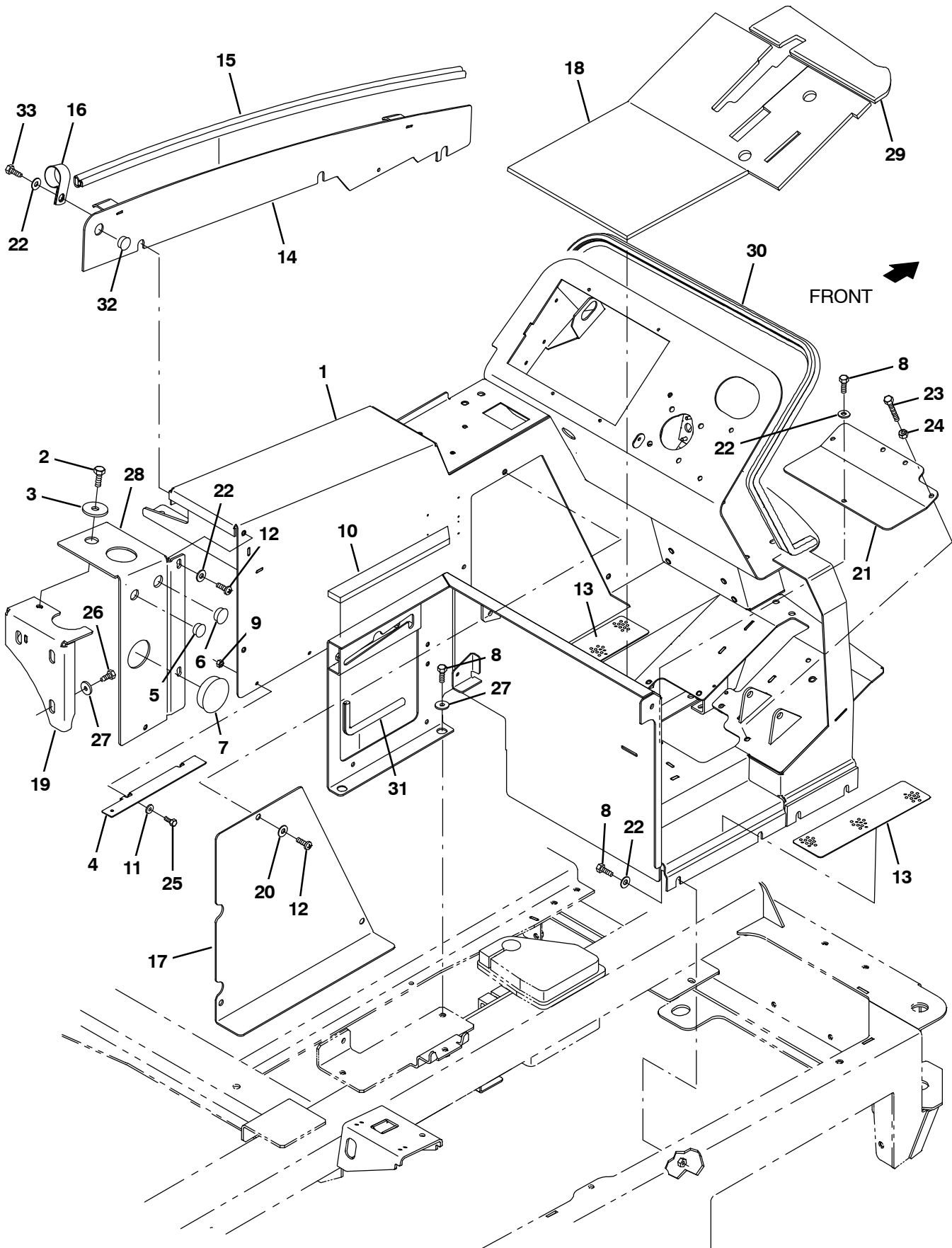


Fig. 4 – Operator Station Group

Ref.	Part No.	Serial Number	Description	Qty.
1	9016325	(008000–) Panel Wldt, Dsl, Replmt	1
1	9016322	(008000–) Panel Wldt, Dsl, Replmt [W/Fast]	1
1	9016323	(008000–) Panel Wldt, Dsl, W/ Es, Replmt	1
1	9016328	(008000–) Panel Wldt, Dsl, Replmt, TJ (Japan only)	1
1	9016331	(008000–) Panel Wldt, Dsl, Replmt, TJ [W/Fast] (Japan only)	1
1	9016334	(008000–) Panel Wldt, Dsl, Replmt, TJ, W/Es (Japan only)	1
2	39283	(008000–) Screw, Hex, M10 X 1.5 X 25, 8.8	1
3	04414	(008000–) Washer, Flat, 0.53b 1.88d .12, Stl, PI	1
4	1047169	(008000–) Bracket, Mtg, Insulation	2
5	82727	(008000–) Plug, Hole, Rnd, 0.88h .03–.12, Blk Nyl	1
6	01493	(008000–) Plug, Hole, Rnd, 1.00h .03–.12, Blk Nyl	1
7	1030017	(008000–) Plug, Hole, Rnd, 2.50h .03–.25, Blk Nyl	1
8	16931	(008000–) Screw, Hex, M8 X 1.25 X 20, 8.8	12
9	08708	(008000–) Nut, Hex, Lock, M6 X 1.00, NI	2
10	1047295	(008000–) Seal, Foam, 0.50	1
11	32490	(008000–) Washer, Flat, 0.25, Std	2
12	1031665	(008000–) Screw, Pan, M8 X 1.25 X 25, Blk	4
13	58819	(008000–) Tread, Non–Skid, 03.0w 11.6l	4
14	1025435	(008000–) Panel Wldt, Adj	1
15	1030593	(008000–) Seal, Afmkt, Bulb, 90, 0.75d F/11ga 08ft	1
16	53466	(008000–) Clamp, Cable, Stl, 1.50d X 1.00w, 1h	5
17	1021834	(008000–) Panel, Access, Door	1
18	1027218	(008000–) Mat, Floor	1
19	1035997	(008000–) Bracket Wldt, Mtg, Tank	1
20	39349	(008000–) Washer, Flat, 0.31 Sae	3
21	1022699	(008000–) Panel, Access, Floor	1
22	32491	(008000–) Washer, Flat, 0.31, Std	17
23	363976	(008000–) Screw, Hex, M8 X 1.25 X 60, 8.8, FI	1
24	39311	(008000–) Nut, Hex, Std, M8 X 1.25	1
25	06942	(008000–) Screw, Hex, M6 X 1.00 X 16, 8.8	2
26	09740	(008000–) Screw, Hex, M8 X 1.25 X 20, Ss	3
27	1017218	(008000–) Washer, Flat, 0.32b 1.00d .12, Ss	5
28	1033975	(008000–) Bracket, Mtg	1
29	1027267	(008000–) Mat, Floor	1
30	1030593	(008000–) Seal, Afmkt, Bulb, 90, 0.75d F/11ga 08ft	1
31	1020168	(008000–) Molding, Afmkt, Trim, Pvc, .08 .11, 1ft	1
32	80288	(008000–) Plug, Hole, Rnd, 0.81h, Blk	1
33	39277	(008000–) Screw, Hex, M8 X 1.25 X 25, 8.8	6

Fig. 5 - Operator Station Insulation Group

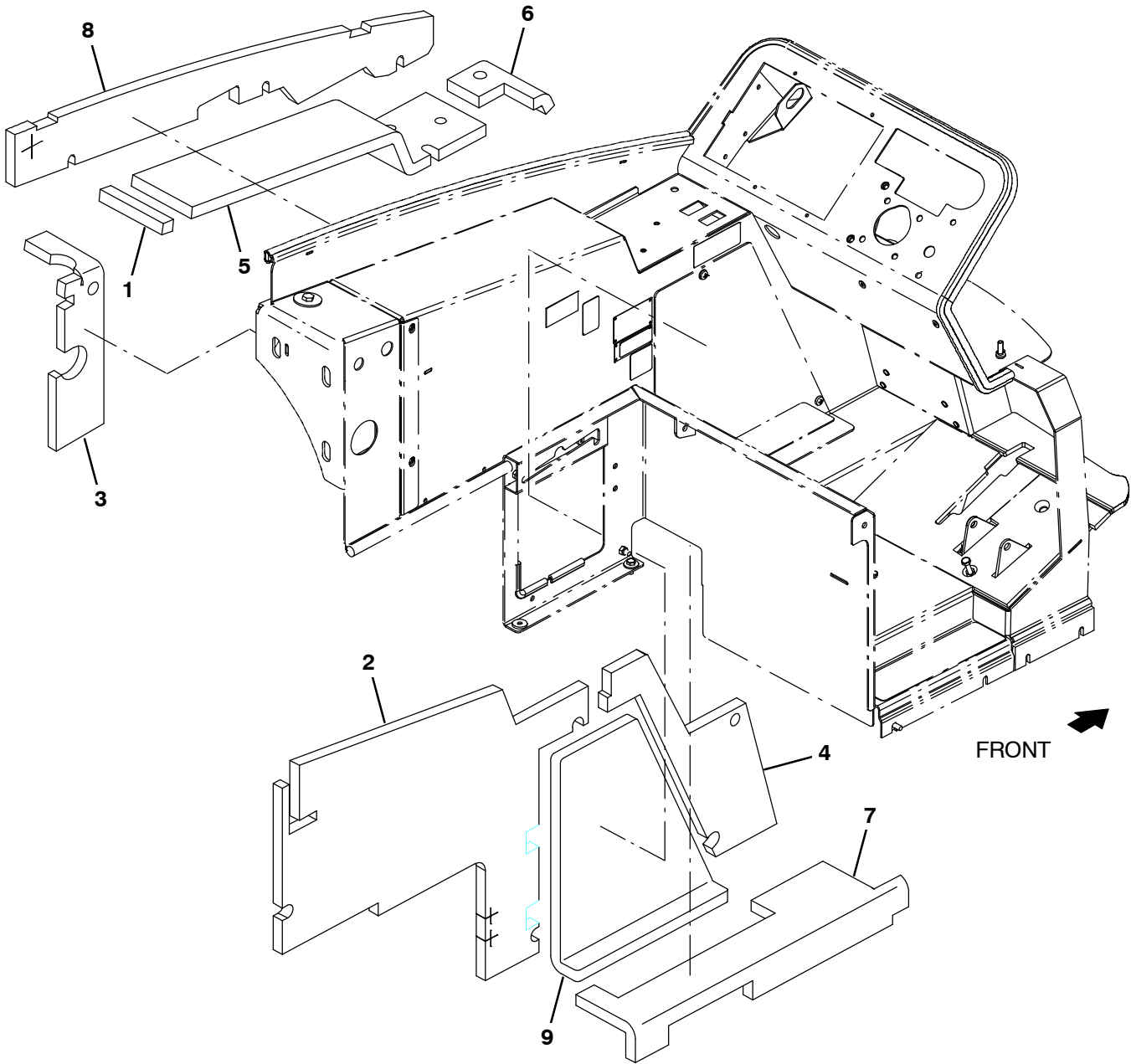


Fig. 5 – Operator Station Insulation Group

Ref.	Part No.	Serial Number	Description	Qty.
1	1034769	(008000–) Insulation, Flame-retardant, 0.75–0.88	1
2	1034765	(008000–) Insulation, Flame-retardant, 0.75–0.88	1
3	1040841	(008000–) Insulation, Flame-Retardant, 0.75–0.88	1
4	1023464	(008000–) Insulation, Flame-Retardant, 0.75–0.88	1
5	1034764	(008000–) Insulation, Flame-retardant, 0.75–0.88	1
6	1034766	(008000–) Insulation, Flame-retardant, 0.75–0.88	1
7	1034768	(008000–) Insulation, Flame-retardant, 0.75–0.88	1
8	1034770	(008000–) Insulation, Flame-retardant, 0.75–0.88	1
9	1023569	(008000–) Insulation, Flame-Retardant, 0.75–0.88	1

Fig. 6 – Instrument Panel Group

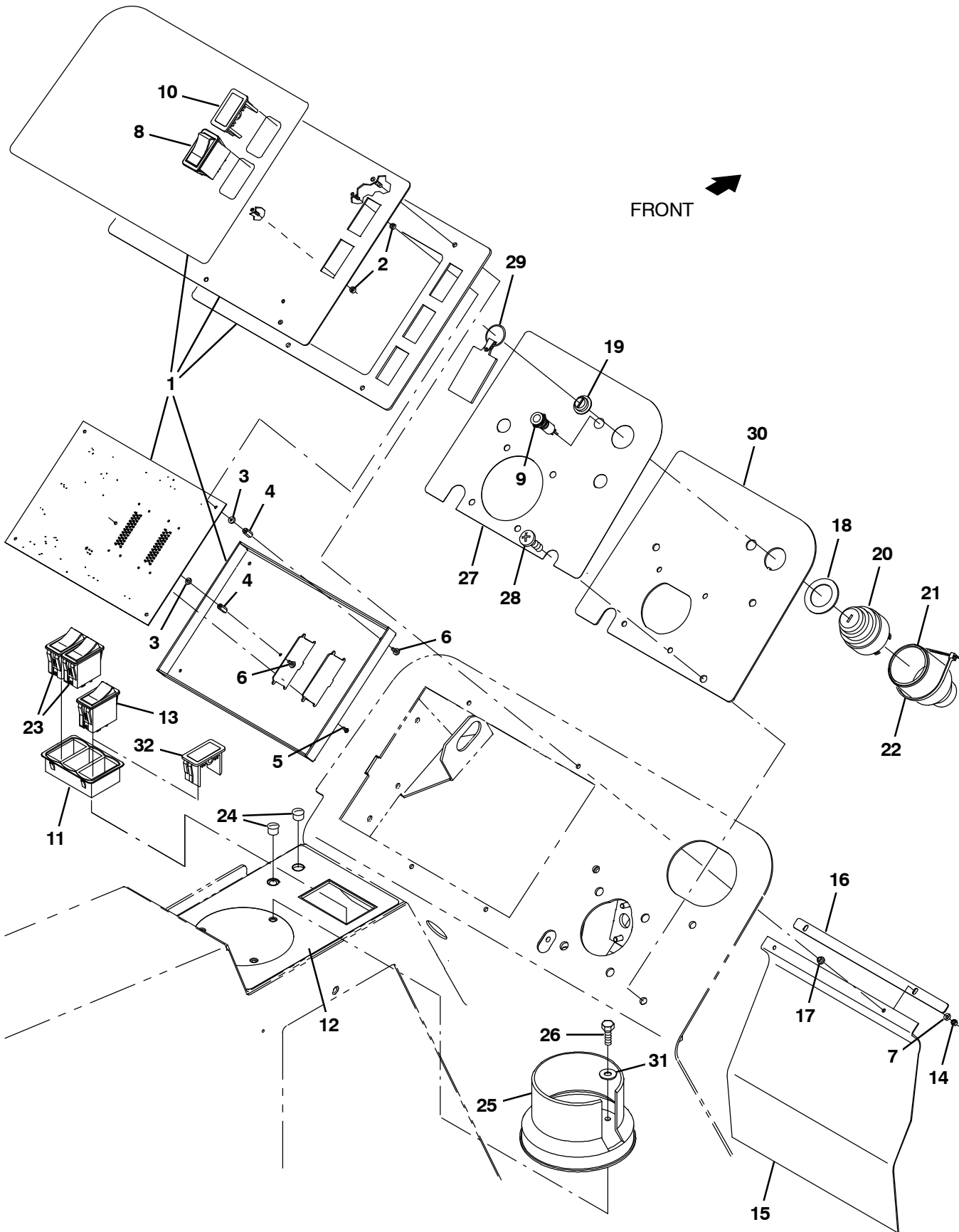


Fig. 6 – Instrument Panel Group

Ref.	Part No.	Serial Number	Description	Qty.
▽	1	1223896	(008000–) Panel Assy, Instmt, W/ Label, Afmkt	1
▲	2	1006808	(008000–) Spacer, Rnd, .125l, Alm	5
▲	3	1008663	(008000–) Washer, Flat, 0.15b 0.31d .05, Nyl	5
▲	4	1022472	(008000–) Stand-Off, Hex, M3 X M14, Alm	5
▲	5	1008240	(008000–) Screw, Pan, #04–24 X 0.50l, Hi – Low	5
▲	6	1022905	(008000–) Screw, Pan, M3 X 6, [Seelscrew]	8
	7	19065	(008000–) Washer, Flat, 0.19b 0.44d .05, Pl, 08	4
	8	392171	(008000–) Switch, Rocker, Dpdt, On / Off / On	1
	9	1225091	(008000–) Light, Indicator, Glowplug	1
	10	398501	(008000–) Plug, Hole, Rt, Rocker Switch, .87 X 1.7	1
	11	1029951	(008000–) Bezel, Switch [3 Gang]	1
	12	1223906	(008000–) Label, Switch, Rocker [Drago]	1
	13	1224603	(008000–) Switch, Rocker, Mom, Led (Dry Dust Control Only)	1
	14	16968	(008000–) Nut, Hex, Lock, #08–32, NI	4
	15	1028769	(008000–) Flap, Battery	1
	16	1028772	(008000–) Bar, Flat, Ss 0.06, 00.50 X 10.00l, 2sl	1
	17	1029362	(008000–) Washer, Shld, Nyl [8–32]	4
	18	73736	(008000–) Washer, Flat, 1.15b 1.75d .08, Stl	1
	19	382516	(008000–) Boot, .63id .29l .90w	1
▽	20	87536	(008000–) Switch, Ignition [Ku]	1
▲		87866	(008000–) Key, Ignition [Set Of 2]	1
	21	383165	(008000–) Boot, Switch, Ignition	1
	22	49266	(008000–) Tie, Cable, Nyl, 07.3l .19w 1.8 Max D	2
	23	398508	(008000–) Switch, Rocker, Dpdt, Mom / Off / Mom	2
	24	56992	(008000–) Plug, Hole, Rnd, 0.50h .03–.12, Blk Nyl	2
	25	223599	(008000–) Cup Holder, Rwk	1
	26	06943	(008000–) Screw, Hex, M6 X 1.00 X 20, 8.8	3
	27	1239555	(008000–) Label, Instrument Panel, Rh, Dsl [Drago]	1
	28	1031665	(008000–) Screw, Pan, M8 X 1.25 X 25, Blk	4
	29	1075003	(008000–) Keychain, Rectangle, Parts & Service	1
	30	1223897	(008000–) Plate, Instrument, Rh [Drago]	1
	31	32490	(008000–) Washer, Flat, 0.25, Std	3
	32	398501	(010900–) Plug, Hole, Rt, Rocker Switch, .87 X 1.7 (Wet Dust Control Only)	2

Fig. 7 - Seat Group

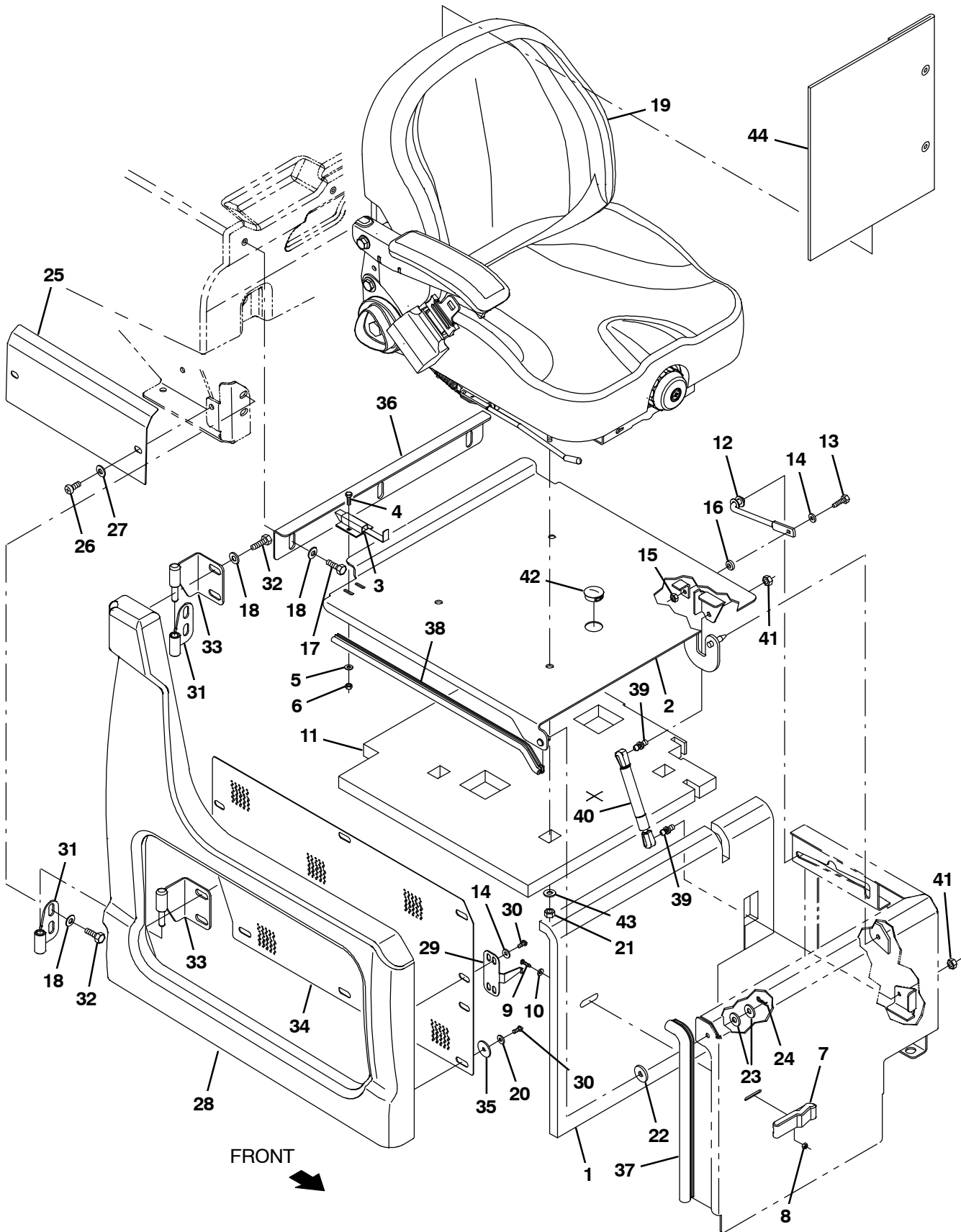


Fig. 7 – Seat Group

Ref.	Part No.	Serial Number	Description	Qty.
1	1034767	(008000–) Insulation, Flame-retardant, 0.75–0.88	1
2	1019228	(008000–) Plate Wldt, Seat	1
3	1025736	(008000–) Latch	1
4	09252	(008000–) Screw, Hex, M5 X 0.8 X 20, 8.8	2
5	19066	(008000–) Washer, Flat, #10	2
6	06549	(008000–) Nut, Hex, Lock, M5 X 0.8, NI	2
7	49800	(008000–) Latch	1
8	02850	(008000–) Nut, Hex, Lock, M4 X 0.7, NI	4
9	06929	(008000–) Screw, Pan, M4 X 0.7 X 25, 4.8	4
10	19065	(008000–) Washer, Flat, #08	2
11	1023499	(008000–) Insulation, Flame-Retardant, 1.0	1
12	223080	(008000–) Arm Wldt, Safety, Sppt, Seat, .38d 06.5d	1
13	06943	(008000–) Screw, Hex, M6 X 1.0 X 20, 8.8	1
14	32483	(008000–) Washer, Flat, 0.25 Sae	9
15	08708	(008000–) Nut, Hex, Lock, M6 X 1.0, NI	1
16	21851	(008000–) Spacer, Plstc, Ny	1
17	09740	(008000–) Screw, Hex, M8 X 1.25 X 20, Ss	3
18	1017218	(008000–) Washer, Flat, 0.32b 1.00d .12, Ss	11
19	9018721	(008000–) Seat, Deluxe, Replmt [M20/T20/M30] (See Breakdowns)	1
20	19066	(008000–) Washer, Flat, 0.25b 0.56d .05, PI, 10	6
21	32983	(008000–) Nut, Hex, Lock, .31–18, NI	4
22	364749	(008000–) Washer, Flat, 0.41b 1.25d .12, Pye	1
23	32492	(008000–) Washer, Flat, 0.38 Std	2
24	08085	(008000–) Pin, Cotter, Hair, 0.31d .058 Wir	1
25	1022005	(008000–) Cover, Lower	1
26	1031665	(008000–) Screw, Pan, M8 X 1.25 X 25, Blk	2
27	39349	(008000–) Washer, Flat, 0.31 Sae	2
28	1018776	(008000–) Shroud, Seat	1
29	1026825	(008000–) Bracket, Latch, Shrd, Seat	1
30	09200	(008000–) Screw, Pan, M5 X 0.8 X 12, Ss	8
31	1024464	(008000–) Hinge Wldt, Shrd, Rh	2
32	16931	(008000–) Screw, Hex, M8 X 1.25 X 20, 8.8	8
33	1024425	(008000–) Hinge Wldt, Shrd, Rh	2
34	1025916	(008000–) Grill, Side	1
35	41178	(008000–) Washer, Flat, 0.25 Fendr	6
36	1020487	(008000–) Bracket, Seat, Adj	1
37	1030588	(008000–) Seal, Afmkt, Bulb, 90, 0.75d F/11ga 02ft	1
38	1031206	(008000–) Seal, Afmkt, Bulb, 90, 0.50d, 02ft	1
39	58494	(008000–) Stud, Ball, .39d .31–16, Gasspring	2
40	368391	(008000–) Gasspring, 180lb, 03.0strk	1
41	01760	(008000–) Nut, Hex, Lock, .31–18, NI, Thin	2
42	76888	(008000–) Plug, Hole, Rnd, 1.25H .03–.12, Blk Nyl	1
43	32491	(008000–) Washer, Flat, 0.31, Std	4
44	68275	(008000–) Pouch (OPTION)	1

Fig. 8 – Steering Group

Ref.	Part No.	Serial Number	Description	Qty.
1	56835	(008000–) Fitting, Hyd, Str, Jm08/Om06	1
2	56690	(008000–) Fitting, Hyd, Str, Jm06/Om06	2
3	47522	(008000–) Fitting, Hyd, E45, Jm06/Om06	1
4	1024260	(008000–) Steer–Control, Hyd05, 06.1 2030 (See Breakdowns)	1
5	1223514	(008000–) Plate, Wldt, Mtg, Housing	1
6	1232054	(008000–) Bracket Wldt, Steering, Tilt	1
7	16931	(008000–) Screw, Hex, M8 X 1.25 X 20, 8.8	7
8	32490	(008000–) Washer, Flat, 0.25, Std	7
9	1059073	(008000–) Nut, Hex, Jam, 1.12–12	1
10	1223511	(008000–) Bracket Wldt, Steering, Tilt, Rh	1
11	70709	(008000–) Bearing, Flng, 2hole, 0.50b	2
12	1036892	(008000–) Screw, Hex, M6 X 1.00 X 25, 9.8, Sems	4
13	1223504	(008000–) Pin, Locking, Steering, Tilt	1
14	47585	(008000–) Bearing, Flng, 2hole, 0.50b [Nyl]	2
15	32483	(008000–) Washer, Flat, 0.25, Sae	4
16	08708	(008000–) Nut, Hex, Lock, M6 X 1.00, NI	4
17	70717	(008000–) Ring, Retaining, Ext, 0.50d, Hd	1
18	22290	(008000–) Spring, Cmpr, 0.72od .06wir 02.3l	1
19	32486	(008000–) Washer, Flat, 0.53b 1.06d .10, Stl, PI	1
20	04706	(008000–) Knob, Tee, 0.38–16, 2.5 X 1.0 1.1l,Plstc	1
21	9015636	(008000–) Gearbox Kit, Steering, Afmkt[M20/30/T20] (See Breakdowns)	1
22	1056412	(008000–) Wheel, Steering, 14.4d	1
23	04846	(008000–) Washer, Thrust, 0.79b 1.42d 0.06[Garlok]	2
24	9015634	(008000–) Panel Kit, Pod, Afmkt [Std, M20/M30]	1
25	9015633	(008000–) Panel Kit, Pod, Afmkt [Pro, M20/M30/T20] (Pro–Panel Only)	1
26	10632–13	(008000–) Grommet, Rbr, 1.50id, F/1.8h, .19 Matl	1
27	06965	(008000–) Screw, Hex, M10 X 1.50 X 80, 8.8	4
28	13248	(008000–) Washer, Flat, 0.40b 1.12d .12, Stl, PI	4
29	1031665	(008000–) Screw, Pan, M8 X 1.25 X 25, Blk	6
30	32491	(008000–) Washer, Flat, 0.31, Std	6
31	1230341	(010230–) Bracket Wldt, Hose	1
32	08716	(010230–) Screw, Hex, M6 X 1.00 X 20, Ss	1
33	08708	(010230–) Nut, Hex, Lock, M6 X 1.00, NI	2

Fig. 9 - Front Cover Group

Ref.	Part No.	Serial Number	Description	Qty.
1	1022069	(008000-) Shroud, Front, Trimmed	1
2	1008916	(008000-) Bracket Wldt, Latch	1
3	06942	(008000-) Screw, Hex, M6 X 1.0 X 16, 8.8	2
4	71941	(008000-) Hinge, .38pin .11 3.5w 06.0l 6/0.38sl	2
5	1017218	(008000-) Washer, Flat, 0.32b 1.00d .12, Ss	10
6	16931	(008000-) Screw, Hex, M8 X 1.25 X 20, 8.8	6
7	1035068	(008000-) Grill Wldt, Front	1
8	1037971	(008000-) Strip Mtg, Seal	1
9	15331	(008000-) Washer, Flat, 0.62 Sae	2
10	391368	(008000-) Cable, Glv .09d 016.5l .38eye /.38eye	1
11	06943	(008000-) Screw, Hex, M6 X 1.00 X 20, 8.8	2
12	07782	(008000-) Nut, Hex, Std, M16 X 2.0	2
13	08708	(008000-) Nut, Hex, Lock, M6 X 1.0, NI	2
14	1049919	(008000-) Seal, Sponge, 0.88 1.00W 43.0L	1
15	06988	(008000-) Screw, Hex, M16 X 2.0 X 90, 8.8	1
16	1037970	(008000-) Strip Mtg, Seal	1
17	32490	(008000-) Washer, Flat, 0.25, Std	6
18	16735	(008000-) Screw, Hex, M8 X 1.25 X 16, 8.8	4
19	1214251	(008000-) Nameplate, Tennant, Domed, 10 Inch	1
20	1037346	(008000-) Screw, Hex, M8 X 1.25 X 25, 9.8, Sems	4

Fig. 10 – Engine Cover Group

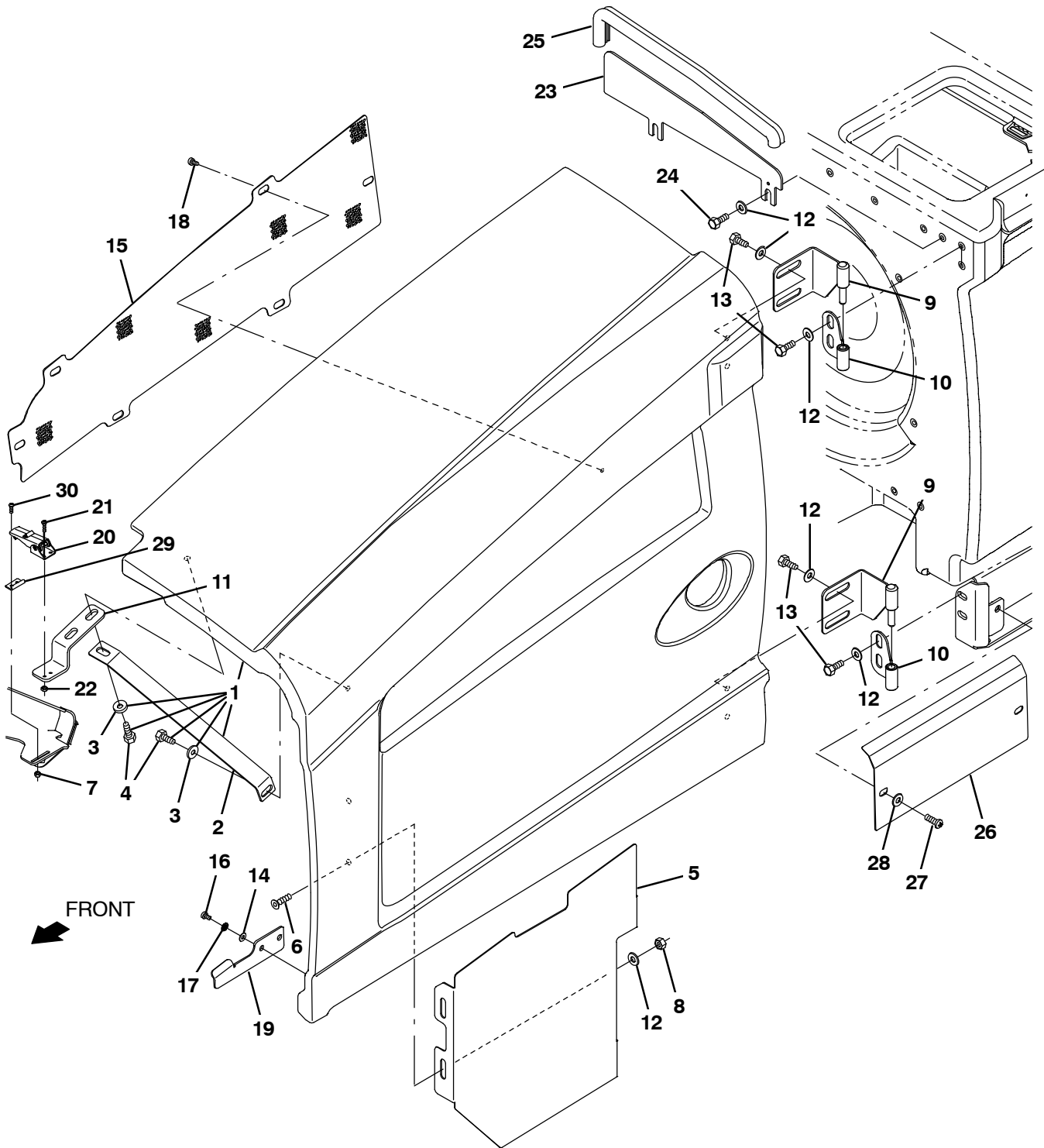


Fig. 10 – Engine Cover Group

Ref.	Part No.	Serial Number	Description	Qty.
▽	1	1033156	(008000–) Shroud Assy, Eng	1
▲	2	1026628	(008000–) Angle, Brace, Shrd	1
▲	3	1017218	(008000–) Washer, Flat, 0.32b 1.00d .12, Ss	2
▲	4	16931	(008000–) Screw, Hex, M8 X 1.25 X 20, 8.8	2
	5	1022004	(008000–) Bracket, Shield, Heat	1
	6	74077	(008000–) Screw, Flt, M8 X 1.25 X 25	4
	7	33932	(008000–) Nut, Hex, Lock, M4 X 0.7, NI, Ss	2
	8	08709	(008000–) Nut, Hex, Lock, M8 X 1.25, NI	4
	9	1024500	(008000–) Hinge Wldt, Shrd, Lh	2
	10	1025196	(008000–) Hinge Wldt, Shrd, Lh	2
	11	1020186	(008000–) Bracket, Latch, Cover	1
	12	1017218	(008000–) Washer, Flat, 0.32b 1.00d .12, Ss	15
	13	16931	(008000–) Screw, Hex, M8 X 1.25 X 20, 8.8	7
	14	41139	(008000–) Washer, Lock, Int–Ext, 10	2
	15	1026726	(008000–) Grill, Eng	1
	16	09200	(008000–) Screw, Pan, M5 X 0.8 X 12, Ss	2
	17	19066	(008000–) Washer, Flat, #10	2
	18	222267	(008000–) Screw, Pan, Phl, 06–20 X 0.50, Fmg/Ab	6
	19	1028412	(008000–) Bracket, Guide, Shrd	1
	20	1222018	(008000–) Latch, Door, Yellow	1
	21	06927	(008000–) Screw, Pan, M4 X 0.7 X 16, 4.8	2
	22	02850	(008000–) Nut, Hex, Lock, M4 X 0.7, NI	2
	23	1025806	(008000–) Plate, Seal, Sound	1
	24	09740	(008000–) Screw, Hex, M8 X 1.25 X 20, Ss	2
	25	1030588	(008000–) Seal, Afrmkt, Bulb, 90, 0.75d F/11ga 02ft	2
	26	1022005	(008000–) Cover, Lower	1
	27	1031665	(008000–) Screw, Pan, M8 X 1.25 X 25, Blk	2
	28	39349	(008000–) Washer, Flat, 0.31 Sae	2
	29	384419	(008000–) Bracket, Latch, Keeper [Southco]	1
	30	24265	(008000–) Screw, Pan, M4 X 0.7 X 16, Ss	2

Fig. 11 – Engine and Mount Group

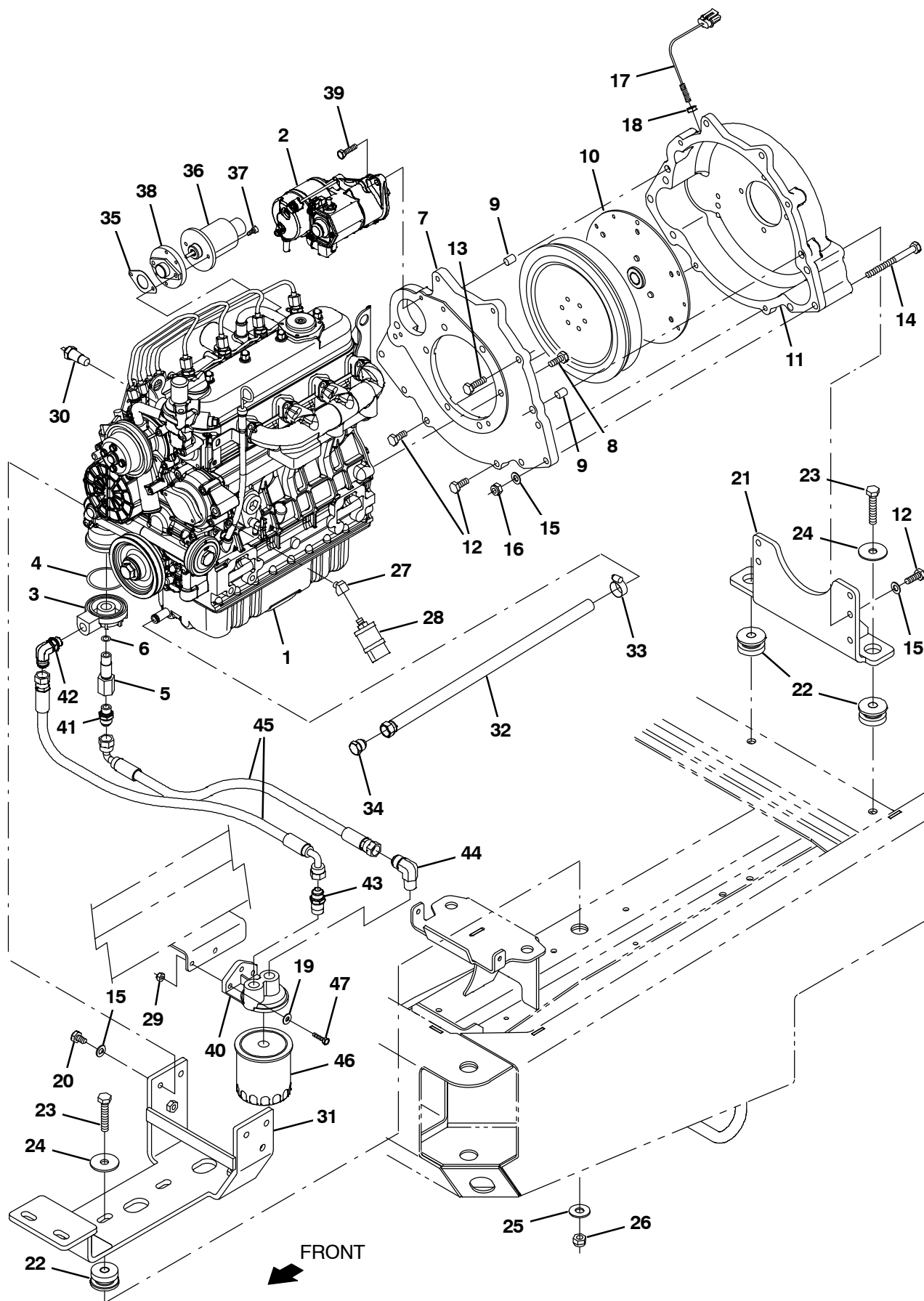


Fig. 11 – Engine and Mount Group

Ref.	Part No.	Serial Number	Description	Qty.
▽	1	1072224	(008000–) Engine Assy, Dsl, 25hp [Ku V1505 Tier4f] (See Engine Breakdown)	1
▲	2	74405	(008000–) Motor, Starter, 12vdc [Kubota] (See Engine Breakdown)	1
	3	368056	(008000–) Base, Fltr, Oil [Ku]	1
	4	70907	(008000–) Seal, Org	1
	5	368059	(008000–) Pipe, Fltr, Oil [Ku]	1
	6	70911	(008000–) Seal, Org	1
	7	55837	(008000–) Housing, Flywheel, Mach [1505, Kubo]	1
	8	07299	(008000–) Screw, Hex, M10 X 1.25 X 25, 8.8	6
	9	54911-16	(008000–) Pin, Dowel, Cyl Block [1pk=4]	2
	10	19252	(008000–) Coupling, Drive, Flex, 09.5d / 13tooth	1
	11	58566	(008000–) Housing, Flywheel, Mach [1505, Kubo]	1
	12	39283	(008000–) Screw, Hex, M10 X 1.5 X 25, 8.8	6
	13	39284	(008000–) Screw, Hex, M10 X 1.5 X 35, 8.8	2
	14	06966	(008000–) Screw, Hex, M10 X 1.5 X 110, 8.8	5
	15	32485	(008000–) Washer, Flat, 0.38, Sae	13
	16	41430	(008000–) Nut, Hex, Lock, M10 X 1.5, NI	5
	17	380521	(008000–) Magnet, Pickup	1
	18	20171	(008000–) Nut, Hex, Jam, .38-24	1
	19	32491	(008000–) Washer, Flat, 0.31, Std	2
	20	07299	(008000–) Screw, Hex, M10 X 1.25 X 25, 8.8	4
	21	1023074	(008000–) Bracket Wldt, Mtg, Eng, Rear, Dsl	1
	22	51176	(008000–) Isolator, Vib, .50d	3
	23	06972	(008000–) Screw, Hex, M12 X 1.75 X 60, 8.8	3
	24	04414	(008000–) Washer, Flat, 0.53b 1.88d .12, Stl, PI	3
	25	32493	(008000–) Washer, Flat, 0.50, Std	1
	26	08711	(008000–) Nut, Hex, Lock, M12 X 1.75, NI	1
	27	24976	(008000–) Fitting, Brs, E45, Pf02/Pm02	1
	28	79399	(008000–) Switch, Press, Dpdt 0006psi	1
	29	08709	(008000–) Nut, Hex, Lock, M8 X 1.25, NI	2
	30	1050757	(008000–) Switch, Thermostat, Water	1
	31	1046810	(008000–) Bracket Wldt, Mtg, Eng, Front, Dsl	1
	32	1027273	(008000–) Hose, 0300, 08, Jf08str / None, 19.0	1
	33	63810	(008000–) Clamp, Hose, Wormdrive, 0.56-1.06d, .56w	1
	34	16376	(008000–) Fitting, Hyd, Plug, Jm08	1
	35	70165	(008000–) Gasket, Solenoid, Throttle [Ku]	1
	36	71385	(008000–) Actuator, Govnr, Dsl	1
	37	71388	(008000–) Screw, Soc, M6 X 1.00 X 16, 12.9	4
	38	393401	(008000–) Adapter, Actuator, Govnr, Eng, Dsl	1
	39	76570	(008000–) Screw, Hex, M8 X 1.25 X 30, 8.8	2
	40	364972	(008000–) Bracket, Mtg, Fltr, Oil, Remote	1
	41	367591	(008000–) Fitting, Hyd, Str, Spcl	1
	42	33595	(008000–) Fitting, Hyd, E90, Jm08/Om16 Metric	1
	43	15687	(008000–) Fitting, Hyd, Str, Jm08/Pm08	1
	44	51869	(008000–) Fitting, Hyd, E90, Jm08/Pm08	1
	45	59578	(008000–) Hose, Hyd, Med08, Jf08e90/Jf08str, 032.0	2
	46	39703-2	(008000–) Element, Fltr, Oil, Spin-On	1
	47	39277	(008000–) Screw, Hex, M8 X 1.25 X 25, 8.8	2

Fig. 12 - Engine Fuel Tank Group

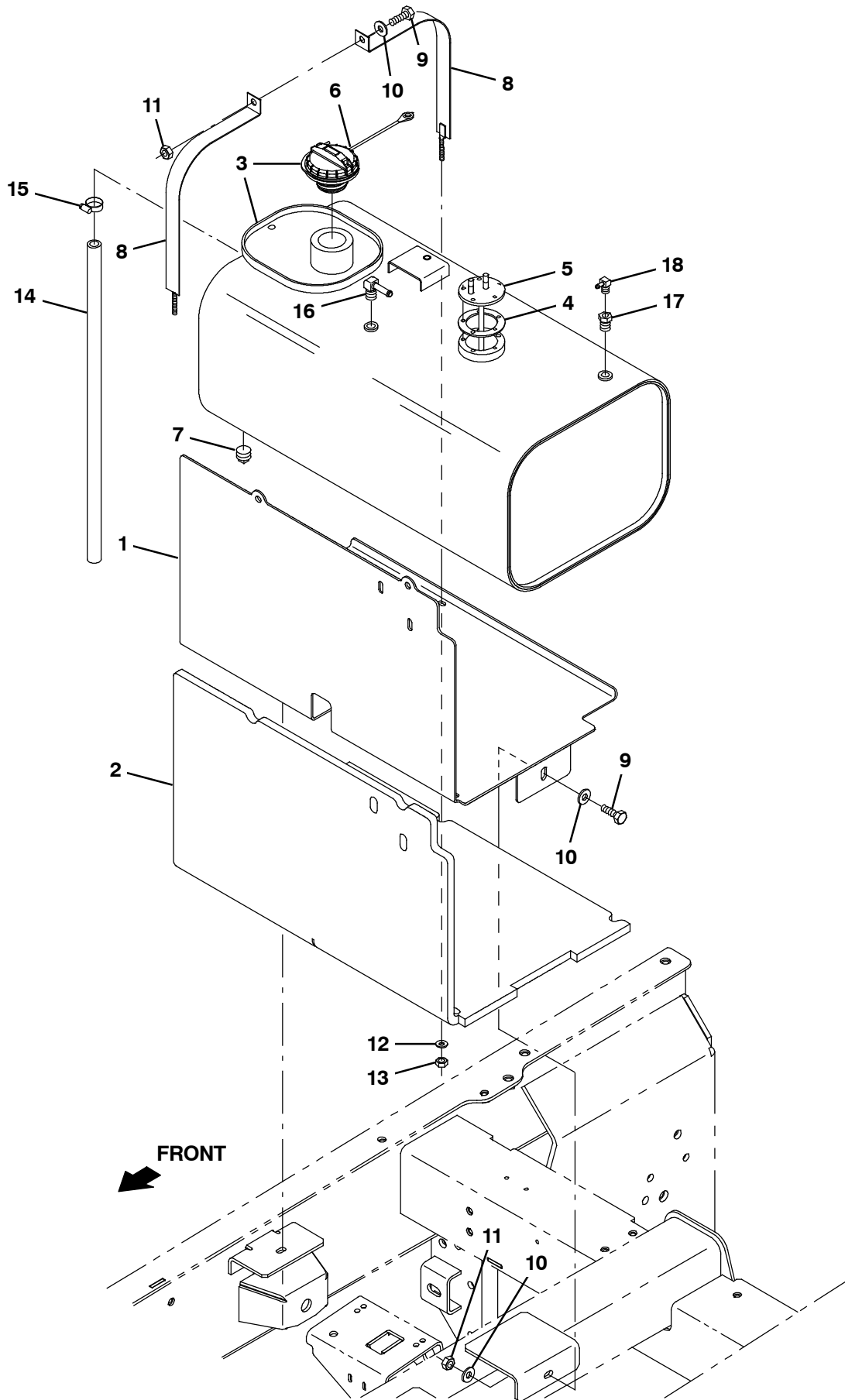


Fig. 12 - Engine Fuel Tank Group

Ref.	Part No.	Serial Number	Description	Qty.
	1	1026550	(008000-) Tray Wldt, Fuel	1
	2	1026759	(008000-) Insulation, Flame- Retardant, 0.5	1
▽	3	9003934	(008000-) Tank, Fuel, 11.2gal, Dsl, Replmt, Na[08]	1
▲	4	1033897	(008000-) Gasket, Sender, Fuel	1
▲	5	1033901	(008000-) Send- Unit, Fuel [2007]	1
▲	6	1032812	(008000-) Cap, Fuel, Tank	1
▲	7	48126	(008000-) Fitting, Pipe, Plug, Pm02, Sq Head	1
▽	3	9003958	(008000-) Tank, Fuel, 11.2gal, Dsl, Replmt, Tj[08] (Japan Only)	1
▲	4	1033897	(008000-) Gasket, Sender, Fuel	1
▲	5	1033901	(008000-) Send- Unit, Fuel [2007]	1
▲	6	1032812	(008000-) Cap, Fuel, Tank	1
▲	7	48126	(008000-) Fitting, Pipe, Plug, Pm02, Sq Head	1
	8	1025229	(008000-) Strap, Tank, Gas	2
	9	39277	(008000-) Screw, Hex, M8 X 1.25 X 25, 8.8	3
	10	32491	(008000-) Washer, Flat, 0.31, Std	7
	11	08709	(008000-) Nut, Hex, Lock, M8 X 1.25, NI	5
	12	32483	(008000-) Washer, Flat, 0.25, Sae	2
	13	32981	(008000-) Nut, Hex, Lock, .25- 20, NI	2
	14	1023482	(008000-) Hose, Fuel, 0.50id 21.0l	1
	15	54333	(008000-) Clamp, Hose, Wormdrive, 0.31-0.88d, .31w	1
	16	9000355	(008000-) Fitting, Brs, E90, Em05/Pm04	1
	17	17414	(008000-) Fitting, Hyd, Str, Pf02/Pm04	1
	18	32183	(008000-) Fitting, Brs, E90, Pm02/Bm03	1

Fig. 13 - Engine Fuel Line Group

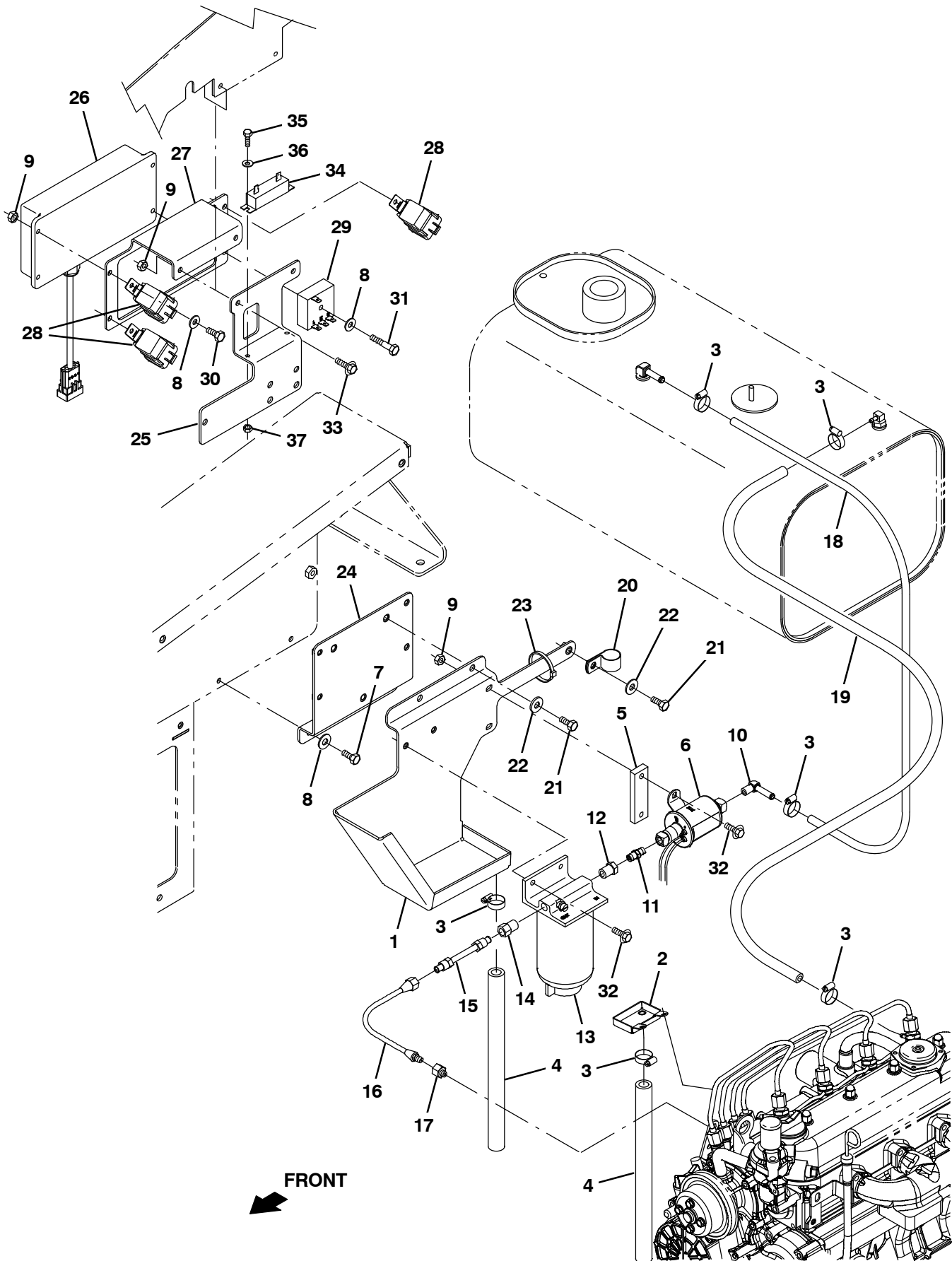


Fig. 13 - Engine Fuel Line Group

Ref.	Part No.	Serial Number	Description	Qty.	
1	1032512	(008000-) Tray Wldt, Drip, Dsl	1	
2	1032424	(008000-) Tray Wldt, Drip, Fuel	1	
3	54333	(008000-) Clamp, Hose, Wormdrive, 0.31-0.88d, .31w	6	
4	1006416	(008000-) Hose, Afmkt, Pvc, Clr 0.38id 03ft	1	
5	364779	(008000-) Bar, Flat, Stl 0.38, 01.00 X 03.3l	1	
6	59015	(008000-) Pump, Fuel	1	
7	06942	(008000-) Screw, Hex, M6 X 1.0 X 16, 8.8	2	
8	32490	(008000-) Washer, Flat, 0.25, Std	6	
9	08708	(008000-) Nut, Hex, Lock, M6 X 1.00, NI	10	
10	53029	(008000-) Fitting, Brs, E90, Em05/Pm02	1	
11	47566	(008000-) Fitting, Hyd, Str, Pm02/Pm02	1	
12	17414	(008000-) Fitting, Hyd, Str, Pf02/Pm04	1	
▽	13	1016827	(008000-) Filter Assy, Fuel, Dsl	1
▲		1017126	(008000-) Element, Fltr, Fuel [Dn]	1
14	78043	(008000-) Fitting, Brs, Str, lf05/Pm04	1	
15	1024380	(008000-) Fuelline, .31d 04.0l 05if/05if, Stl	1	
16	70173	(008000-) Hose, 0050, 04, lf05str / lm05str, 10.0	1	
17	365066	(008000-) Fitting, Hyd, Str, Metric, Om10/lf05	1	
18	87738	(008000-) Hose, Fuel, 0.18id 29.0l	1	
19	365190	(008000-) Hose, Fuel, 0.31id 22.0l	1	
20	69234	(008000-) Clamp, Cable, Stl, 1.00d X 0.75w, 1h	1	
21	16931	(008000-) Screw, Hex, M8 X 1.25 X 20, 8.8	2	
22	32491	(008000-) Washer, Flat, 0.31, Std	3	
23	49266	(008000-) Tie, Cable, Nyl, 07.3l .19w 1.8 Max D	2	
24	1029082	(008000-) Bracket, Mtg, Ecu [M20/T20 2007]	1	
25	1059488	(008000-) Bracket, Mtg, Coolant, Tank, Dsl [2010]	1	
26	1040835	(008000-) Control, Govnr [All Purpose]	1	
27	1027922	(008000-) Bracket, Mtg, Govnr Control, Dsl	1	
28	56186	(008000-) Relay, 12vdc, 40a, Spdt N/O	3	
29	379656	(008000-) Timer, 12vdc, 10 Sec	1	
30	06943	(008000-) Screw, Hex, M6 X 1.0 X 20, 8.8	3	
31	06947	(008000-) Screw, Hex, M6 X 1.0 X 40, 8.8	1	
32	1040467	(008000-) Screw, Hex, M6 X 1.00 X 20, 9.8, Sems	4	
33	1036892	(008000-) Screw, Hex, M6 X 1.00 X 25, 9.8, Sems	2	
34	71539	(008000-) Resistor, 022.00ohm, 0040watt	1	
35	09244	(008000-) Screw, Hex, M5 X 0.80 X 16, 8.8	2	
36	19066	(008000-) Washer, Flat, 0.25b 0.56d .05, Pl, 10	2	
37	06549	(008000-) Nut, Hex, Lock, M5 X 0.80, NI	2	

Fig. 14 - Engine Air Cleaner Group

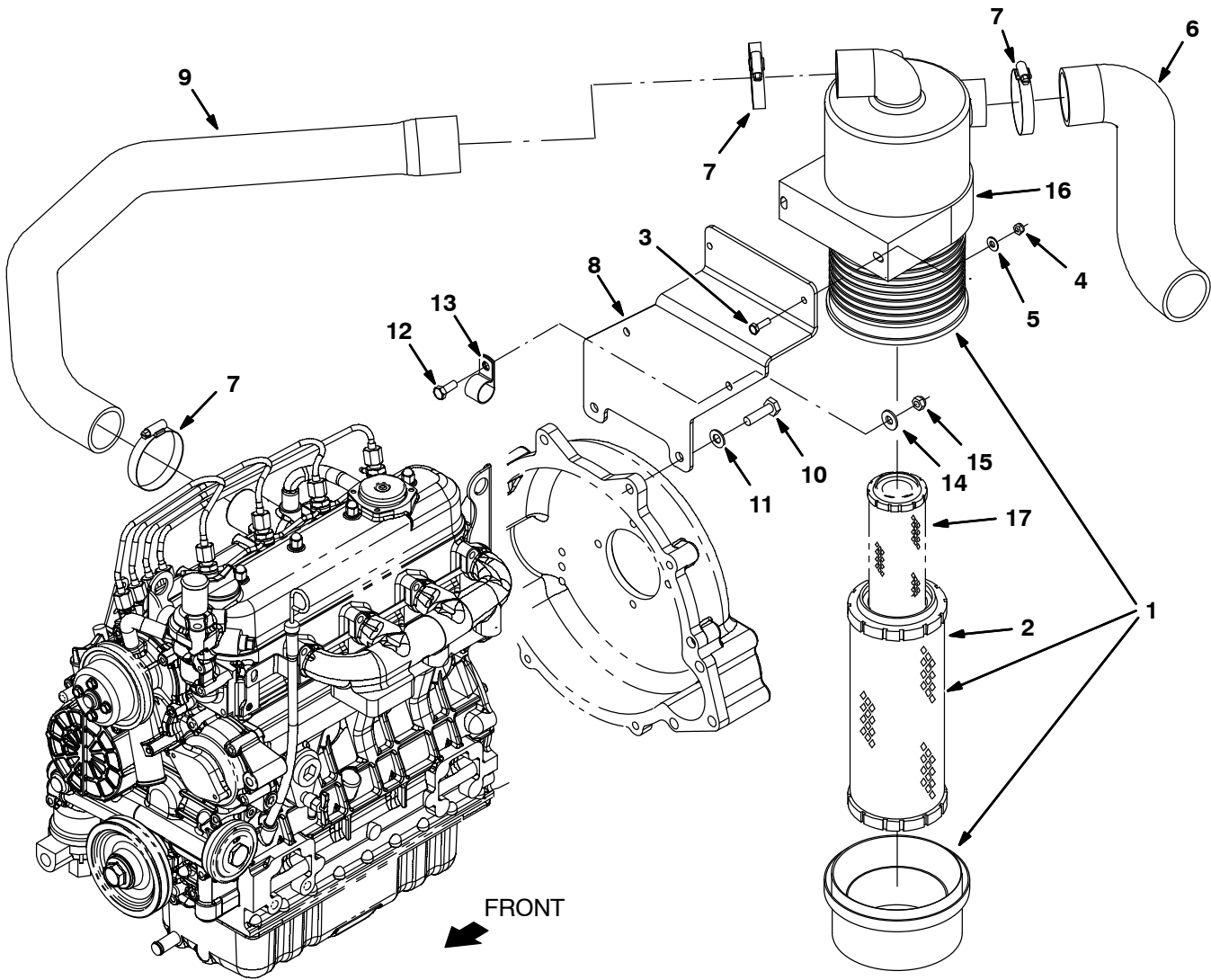


Fig. 14 – Engine Air Cleaner Group

	Ref.	Part No.	Serial Number	Description	Qty.
▽	1	369745	(008000–) Filter Assy, Air	1
▲	2	369746	(008000–) Element, Fltr, Air [Dn]	1
	3	06943	(008000–) Screw, Hex, M6 X 1.0 X 20, 8.8	2
	4	08708	(008000–) Nut, Hex, Lock, M6 X 1.00, NI	2
	5	32483	(008000–) Washer, Flat, 0.25, Sae	2
	6	1020949	(008000–) Hose, Intake, Mold, 2.00id [Epdm]	1
	7	14432	(008000–) Clamp, Hose, Wormdrive, 1.81–2.75d, .50w	3
	8	1024772	(008000–) Bracket, Mtg, Air Fltr, Dsl	1
	9	1023892	(008000–) Hose, Intake, Mold, 1.75id 1.75id Dsl	1
	10	39284	(008000–) Screw, Hex, M10 X 1.5 X 35, 8.8	2
	11	32485	(008000–) Washer, Flat, 0.38, Sae	2
	12	09740	(008000–) Screw, Hex, M8 X 1.25 X 20, Ss	1
	13	69234	(008000–) Clamp, Cable, Stl, 1.00d X 0.75w, 1h	1
	14	01685	(008000–) Washer, Flat, 0.31, Ss	1
	15	08713	(008000–) Nut, Hex, Lock, M8 X 1.25, NI, Ss	1
	16	369747	(008000–) Clamp, Mtg, Fltr, Air	1
	17	398279	(008000–) Element, Fltr, Air, Safety (Option)	1

Fig. 15 - Engine Alternator Group

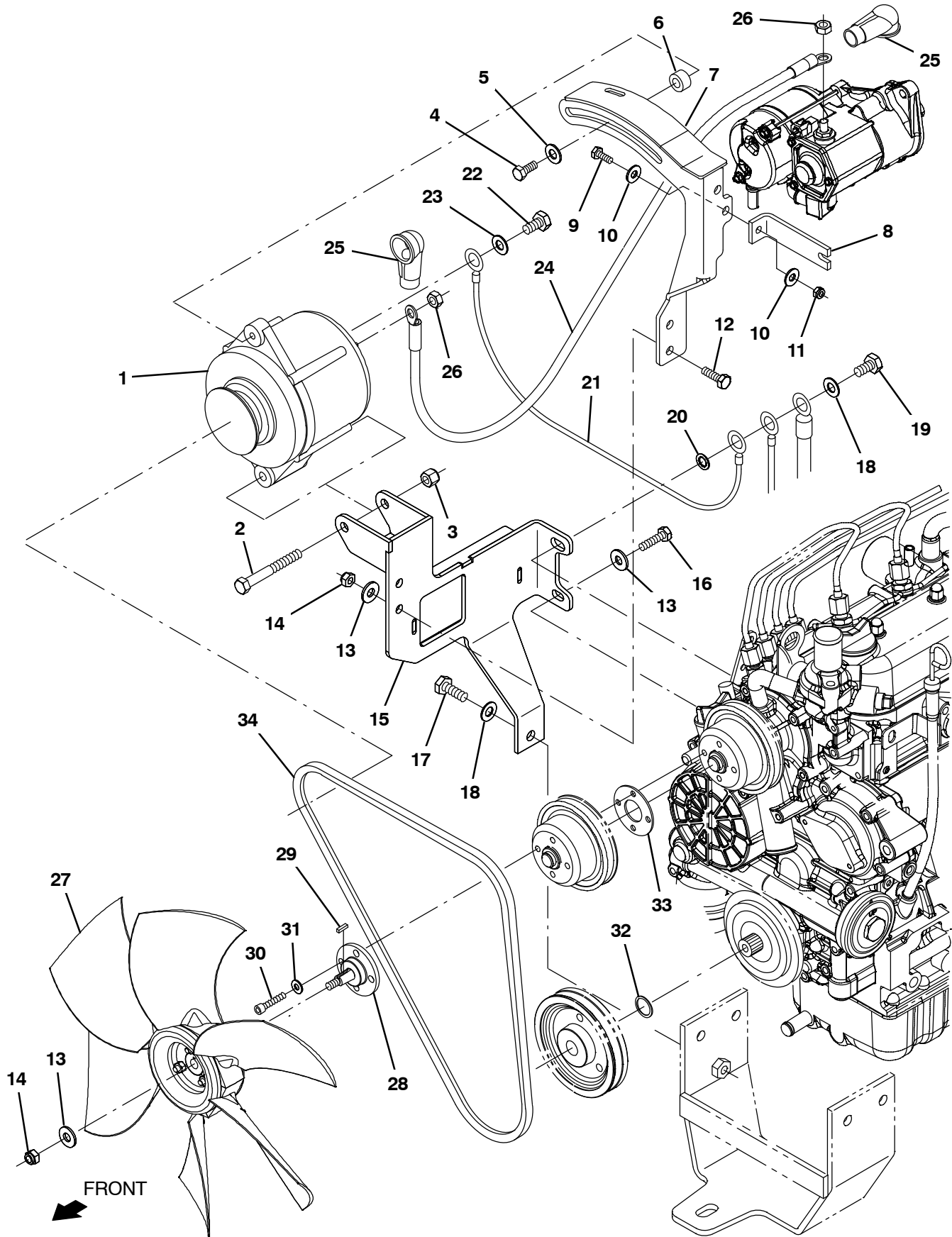


Fig. 15 - Engine Alternator Group

Ref.	Part No.	Serial Number	Description	Qty.
1	392611	(008000-) Alternator, 12vdc, 075a [Valeo]	1
2	35707	(008000-) Screw, Hex, .38-16 X 3.00, G5	1
3	59156	(008000-) Nut, Hex, Lock, .38-16, NI, Ss	1
4	76955	(008000-) Screw, Hex, .31-18 X 1.00, G5	1
5	41186	(008000-) Washer, Flat, Belleville, .31	1
6	73737	(008000-) Tube, 0.38id 0.75od 00.3l, Ss	1
7	1036847	(008000-) Arm Wldt, Alternator, Dsl	1
8	1036859	(008000-) Bracket, Sppt, Alternator, Dsl	1
9	06943	(008000-) Screw, Hex, M6 X 1.00 X 20, 8.8	1
10	32483	(008000-) Washer, Flat, 0.25, Sae	2
11	08708	(008000-) Nut, Hex, Lock, M6 X 1.00, NI	1
12	39277	(008000-) Screw, Hex, M8 X 1.25 X 25, 8.8	2
13	32491	(008000-) Washer, Flat, 0.31, Std	4
14	08709	(008000-) Nut, Hex, Lock, M8 X 1.25, NI	3
15	1036844	(008000-) Bracket Wldt, Mtg, Alternator, Dsl	1
16	76570	(008000-) Screw, Hex, M8 X 1.25 X 30, 8.8	1
17	39283	(008000-) Screw, Hex, M10 X 1.50 X 25, 8.8	1
18	32492	(008000-) Washer, Flat, 0.38, Std	2
19	33612	(008000-) Screw, Hex, M10 X 1.25 X 35, 8.8	1
20	32988	(008000-) Washer, Lock, Int, 0.38	1
21	31525	(008000-) Wire, 10ga 16.0l Blk .25ring /.38ring	1
22	42011	(008000-) Screw, Hex, 10-24 X 0.50, Ss	1
23	01683	(008000-) Washer, Flat, 10, Ss	1
24	1029689	(008000-) Cable, 06ga 16.0l Red .38ring /.38ring	1
25	1016314	(008000-) Boot, 90deg .50id 1.00id 2.50l, Red	2
26	41361	(008000-) Nut, Hex, Std, M8 X 1.25, Brs	2
27	1031566	(008000-) Fan, Cooling, 14.1d, 6 Blade, 0.5b Taper	1
28	1035341	(008000-) Spacer, Fan, Dsl [M20/T20]	1
29	00960	(008000-) Key, Sq, 0.12 X 0.12, 0.50l	1
30	71388	(008000-) Screw, Soc, M6 X 1.00 X 16, 12.9	4
31	19066	(008000-) Washer, Flat, 10	4
32	1039208	(008000-) Washer, Flat, 1.10b 1.50d .12, Stl, PI	1
33	1039212	(008000-) Spacer, Fan	1
34	393244	(008000-) Belt, V, 42.0l [Hc41]	1

Fig. 16 - Engine Muffler Group

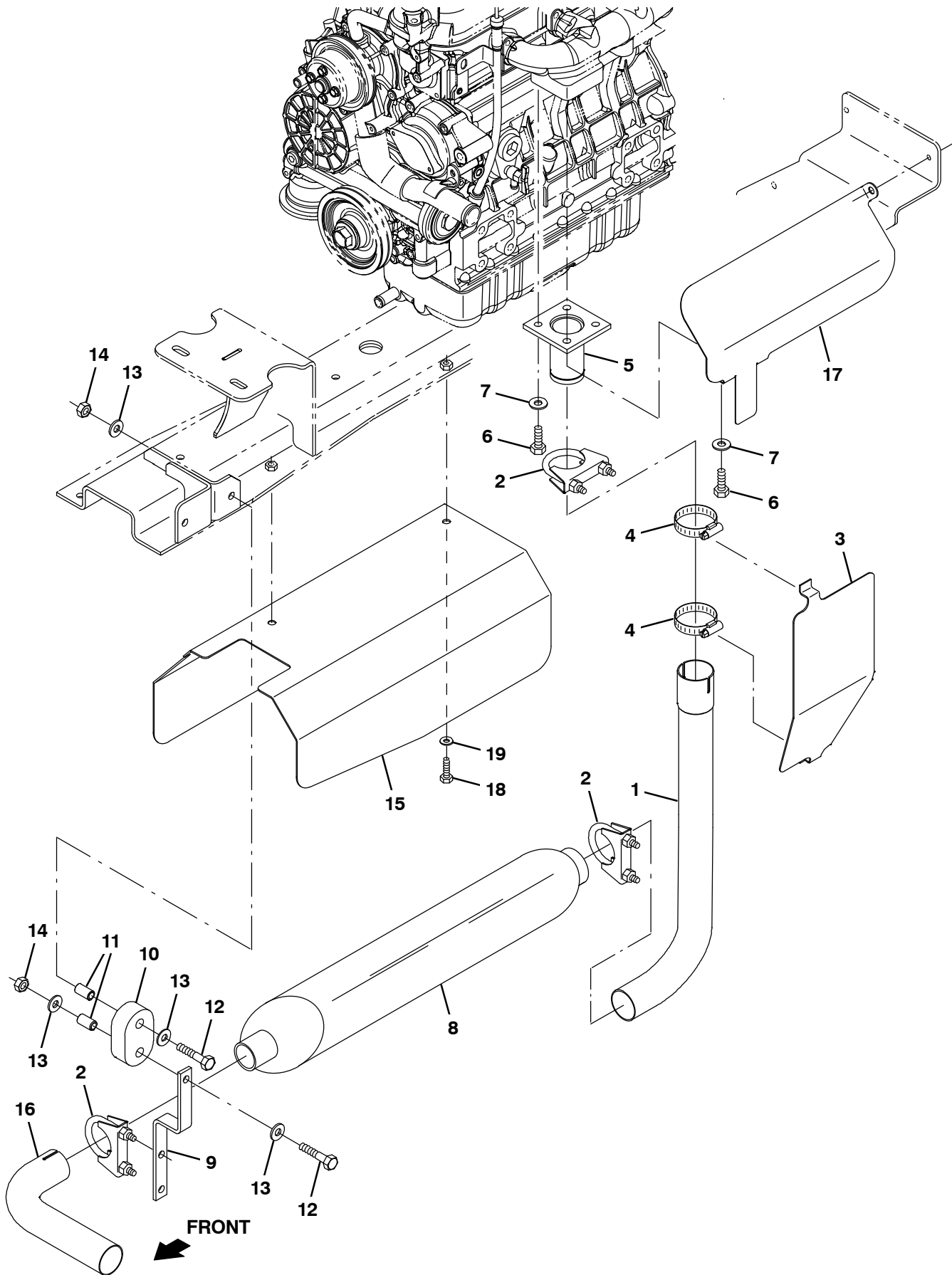


Fig. 16 - Engine Muffler Group

Ref.	Part No.	Serial Number	Description	Qty.
1	1024357	(008000-) Tube, Exhaust, Dsl	1
2	24012	(008000-) Clamp, Muffler, 1.62d	3
3	9002411	(008000-) Plate, Shield, Heat, Dsl, Replmt	1
4	79381	(008000-) Clamp, Hose, Wormdrive, 1.25-2.00D, .50W	2
5	74452	(008000-) Tube Wldt, Exhaust, 1.5d, 4 Hole Flng	1
6	16931	(008000-) Screw, Hex, M8 X 1.25 X 20, 8.8	4
7	32491	(008000-) Washer, Flat, 0.31, Std	4
8	33333	(008000-) Muffler, Exhaust	1
9	1017969	(008000-) Bracket, Muffler, Hanger, Front	1
10	1013031	(008000-) Isolator, Rbr	1
11	222496	(008000-) Sleeve, P/M, 0.31b 0.50d 0.9l [430ss]	2
12	222505	(008000-) Screw, Hex, M8 X 1.25 X 45, Ss	2
13	01685	(008000-) Washer, Flat, 0.31, Ss	4
14	08713	(008000-) Nut, Hex, Lock, M8 X 1.25, NI, Ss	2
15	1028994	(008000-) Channel, Shield, Muffler [M20/T20 2007]	1
16	1021789	(008000-) Tube, Exhaust, 1.5d	1
17	1032010	(008000-) Shield, Heat, Dsl	1
18	08716	(008000-) Screw, Hex, M6 X 1.0 X 20, Ss	2
19	32483	(008000-) Washer, Flat, 0.25, Sae	2

Fig. 17 – Engine Radiator Group

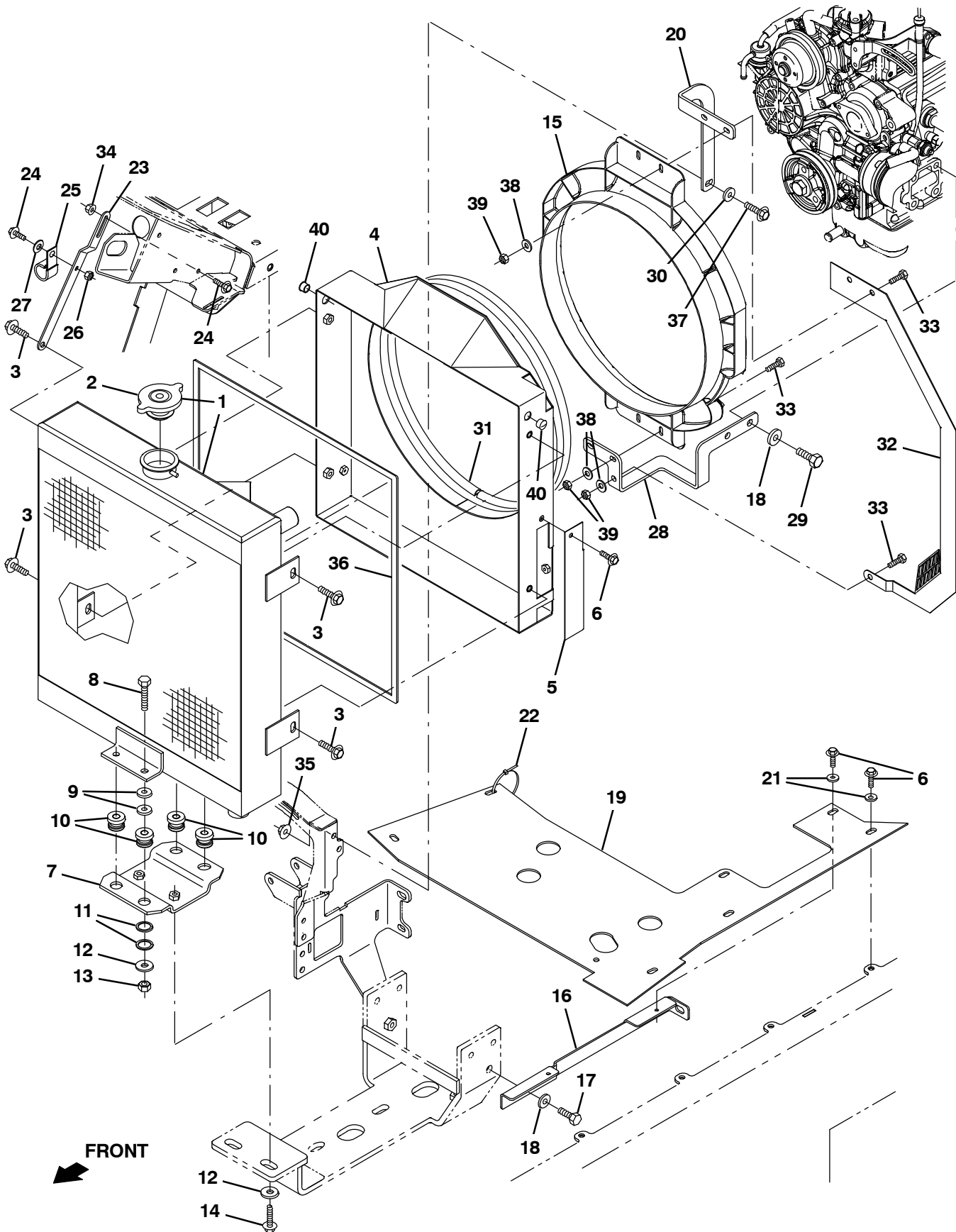


Fig. 17 – Engine Radiator Group

Ref.	Part No.	Serial Number	Description	Qty.
▽ 1	1249770	(008000–) Radiator, W/ Hyd Cooler [Afmkt]	1
▲ 2	1045764	(008000–) Cap, Radiator, 14Psi [Stant]	1
3	1037346	(008000–) Screw, Hex, M8 X 1.25 X 25, 9.8, Sems	4
4	1058699	(008000–) Shroud Wldt, Fan, Eng, Dsl	1
5	1045433	(008000–) Bracket, Cover	1
6	1036892	(008000–) Screw, Hex, M6 X 1.00 X 25, 9.8 Sems	6
7	1046962	(008000–) Bracket, Mtg, Radiator	1
8	39285	(008000–) Screw, Hex, M10 X 1.50 X 40, 8.8	4
9	32492	(008000–) Washer, Flat, 0.38, Std	8
10	54274	(008000–) Isolator, Vib, Bshg, 1.1d 0.6l .4b 0.78h	4
11	09832	(008000–) Washer, Flat, 0.81b 1.06d .06, Stl	8
12	1014563	(008000–) Washer, Flat, 0.40b 1.12d .12, Ss	6
13	41430	(008000–) Nut, Hex, Lock, M10 X 1.5, NI	4
14	1037355	(008000–) Screw, Hex, M8 X 1.25 X 35, 9.8, Sems	2
15	1054428	(008000–) Shroud, Fan	1
16	1052164	(008000–) Bracket, Sppt	1
17	39283	(008000–) Screw, Hex, M10 X 1.50 X 25, 8.8	1
18	32485	(008000–) Washer, Flat, 0.38, Sae	3
19	1052175	(008000–) Skirt, Fan, Eng, Dsl	1
20	1058732	(008000–) Bracket, Mtg, Fan, Shrd, Upper, Dsl	1
21	41178	(008000–) Washer, Flat, 0.25, Fendr	3
22	49266	(008000–) Tie, Cable, Nyl, 07.3l .19w 1.8 Max D	2
23	1019968	(008000–) Bracket, Mtg, Radiator	1
24	1040467	(008000–) Screw, Hex, M6 X 1.00 X 20, 9.8, Sems	2
25	30407	(008000–) Clip, Keeper, Open	1
26	08708	(008000–) Nut, Hex, Lock, M6 X 1.00, NI	1
27	32490	(008000–) Washer, Flat, 0.25, Std	1
28	1058730	(008000–) Bracket, Mtg, Fan, Shrd, Lower, Dsl	1
29	07299	(008000–) Screw, Hex, M10 X 1.25 X 25, 8.8	2
30	32492	(008000–) Washer, Flat, 0.38, Std	2
31	376735	(008000–) Seal, Bulb, Str, 0.38h .75w Adh, 52 L	1
32	1064434	(008000–) Bracket, Shrd, Radiator, Dsl, Ce	1
33	06943	(008000–) Screw, Hex, M6 X 1.00 X 20, 8.8	5
34	07790	(008000–) Nut, Hex, Fing, M6 X 1.00	1
35	07791	(008000–) Nut, Hex, Fing, M8 X 1.25	1
36	367812	(008000–) Seal, Rbr, Clsd, .13, .38w 72.0l, Adh	1
37	1037346	(008000–) Screw, Hex, M8 X 1.25 X 25, 9.8, Sems	1
38	32483	(008000–) Washer, Flat, 0.25, Sae	5
39	08708	(008000–) Nut, Hex, Lock, M6 X 1.00, NI	5
40	02431	(008000–) Plug, Hole, Rnd, 0.56h .03–.12, Blk Nyl	2

Fig. 18 - Engine Radiator Hose Group

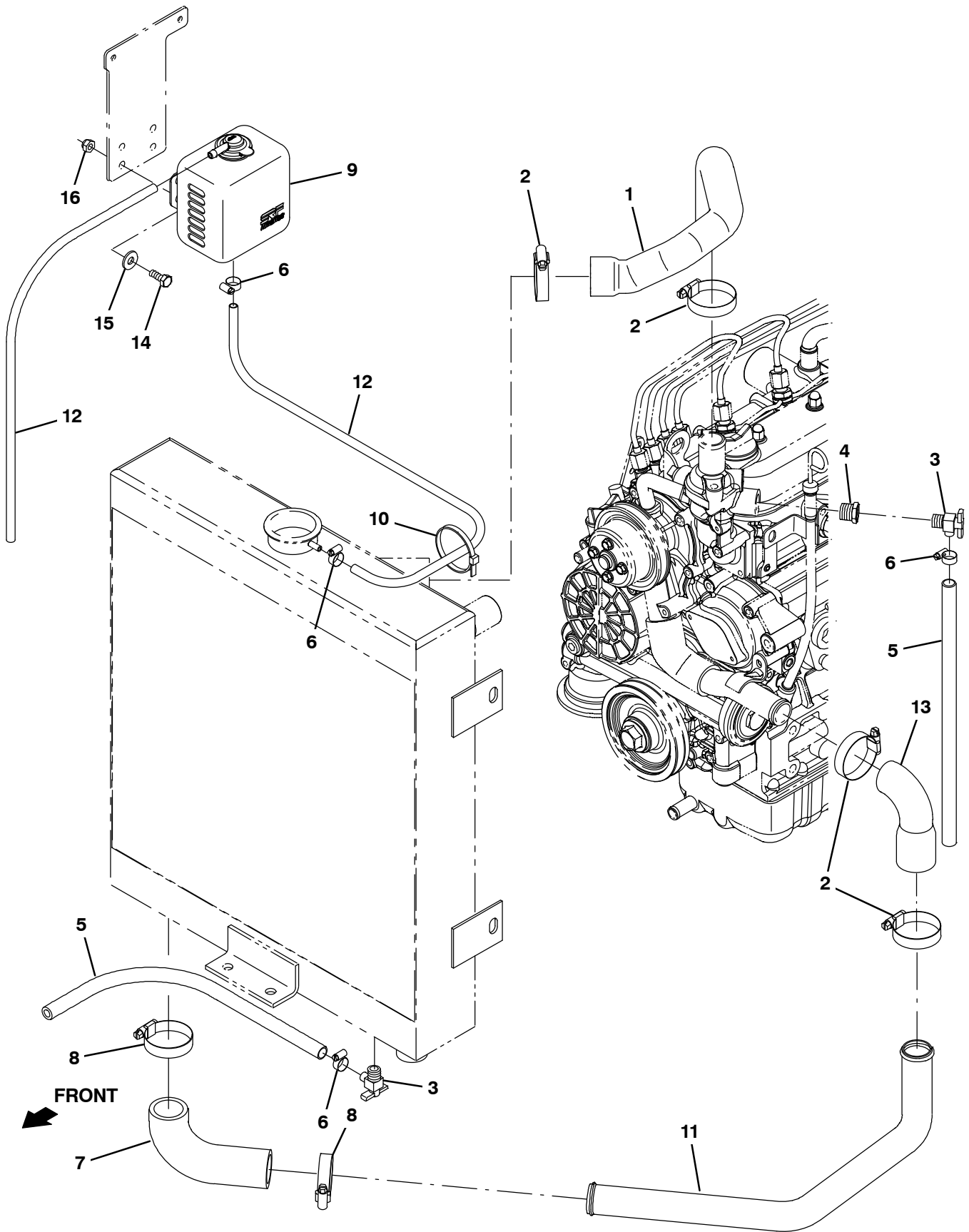


Fig. 18 - Engine Radiator Hose Group

Ref.	Part No.	Serial Number	Description	Qty.
1	1071195	(008000-) Hose, Radiator, Upper, Dsl	1
2	11399	(008000-) Clamp, Hose, Wormdrive, 0.81-1.50d, .50w	4
3	51305	(008000-) Fitting, Draincock, E90, .25npt	2
4	150006	(008000-) Fitting, Brs, Str, Pf04/Pm06, Bshg	1
5	73471	(008000-) Hose, Pvc, Clr, 0.38id 0.56od 022.0l	2
6	43844	(008000-) Clamp, Hose, Wormdrive, 0.25-0.62d, .31w	4
7	1007482	(008000-) Hose, Rbr, E90, 1.25id 1.25id 04.2 03.1	1
8	79381	(008000-) Clamp, Hose, Wormdrive, 1.25-2.00D, .50W	2
9	1054382	(008000-) Tank, Coolant, 03.6W 04.1HI 05.5L, 1Liter	1
10	49266	(008000-) Tie, Cable, Nyl, 07.3l .19w 1.8 Max D	2
11	1023180	(008000-) Tube, Radiator, Lower, Dsl	1
12	1015041	(008000-) Hose, Afmkt, Coolant Recvy, 08ft	1
13	1062103	(008000-) Hose, Radiator, Lower, Dsl	1
14	16931	(008000-) Screw, Hex, M8 X 1.25 X 20, 8.8	2
15	32491	(008000-) Washer, Flat, 0.31, Std	2
16	08709	(008000-) Nut, Hex, Lock, M8 X 1.25, NI	2

Fig. 19 - Battery and Electrical Group

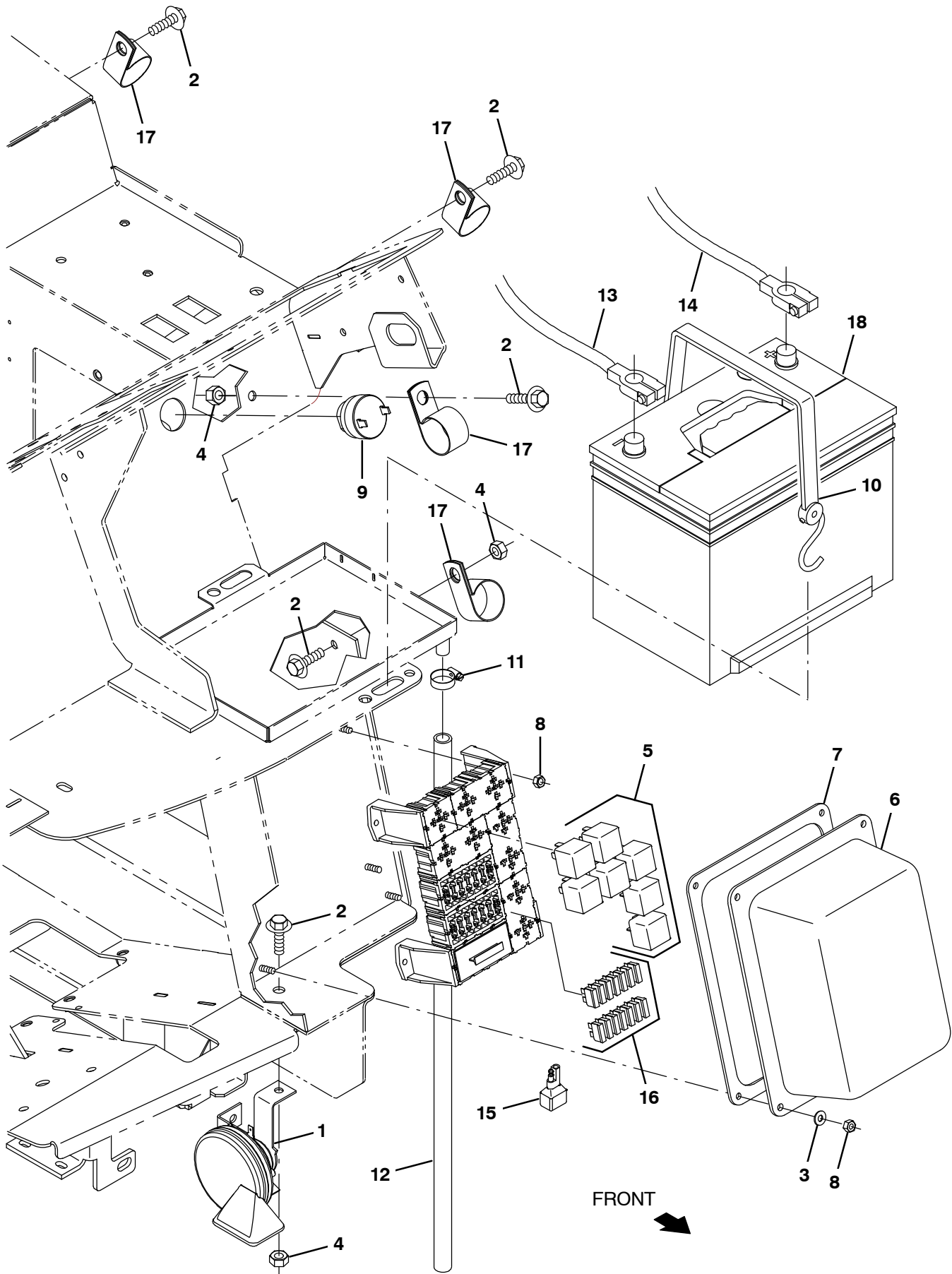


Fig. 19 - Battery and Electrical Group

Ref.	Part No.	Serial Number	Description	Qty.
1	369704	(008000-) Horn, 12vdc, Dba [Wolo]	1
2	1037346	(008000-) Screw, Hex, M8 X 1.25 X 25, 9.8, Sems	5
3	19066	(008000-) Washer, Flat, #10	4
4	08709	(008000-) Nut, Hex, Lock, M8 X 1.25, NI	3
5	57804	(008000-) Relay, 12vdc, 40a, Spdt N/O	7
6	1024274	(008000-) Cover, Fuse, Block	1
7	1026576	(008000-) Gasket, Cover, Fuse Block	1
8	06549	(008000-) Nut, Hex, Lock, M5 X 0.8, NI	8
9	1021290	(008000-) Alarm, Warning [Sonalert, St628]	1
10	33671	(008000-) Strap, Rbr, Tie-Down, 2/Hooks 19.0l	1
11	54333	(008000-) Clamp, Hose, Wormdrive, 0.31-0.88d, .31w	1
12	20778	(008000-) Hose, Pvc, Clr, 0.50id 0.69od 30.00l	1
13	60295	(008000-) Cable, Battery, 02ga 60.0l Blk .41ring	1
14	68869	(008000-) Cable, Battery, 02ga 48.0l Red .41ring	1
15	222290	(008000-) Diode, Ele, Plug	1
16	762514	(008000-) Fuse, 015a	14
17	53466	(008000-) Clamp, Cable, Stl, 1.50d X 1.00w, 1h	4
18	10143	(008000-) Battery, Wet, 12Vdc 0600Cca	1

Fig. 20 – Wheel Group, Front Drive

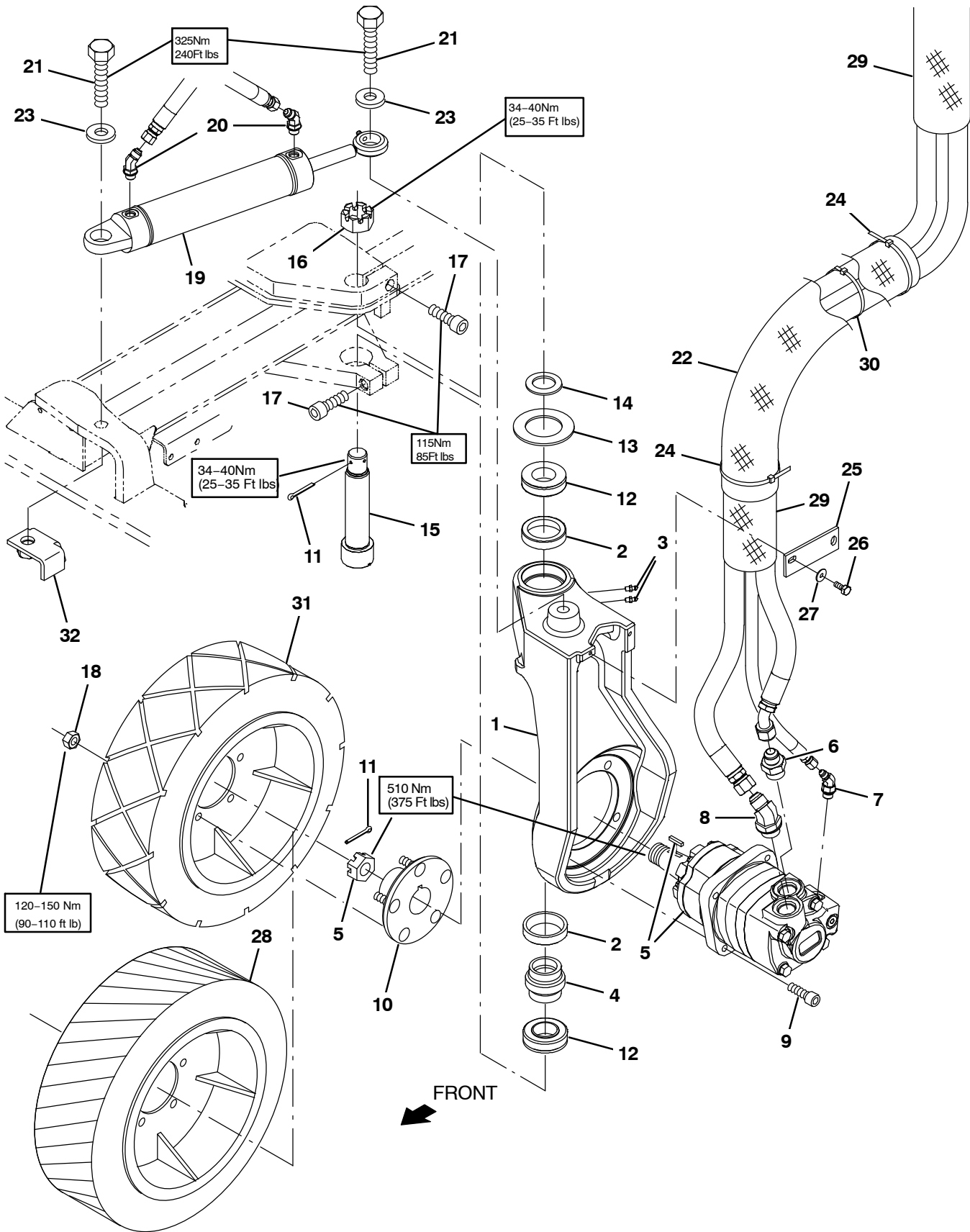


Fig. 20 - Wheel Group, Front Drive

Ref.	Part No.	Serial Number	Description	Qty.
1	1071061	(008000-) Housing, Sppt, Front Wheel	1
2	51338	(008000-) Bearing, Cup, 2.56d 0.55w	2
3	47801	(008000-) Fitting, Grease, Str Pm04 .63l	2
4	374560	(008000-) Seal, Drive, Rear, Grease Cav	1
5	379609	(008000-) Motor, Hyd, Gear, Int 19.0 Bi-Dir 3000 (See Breakdowns)	1
6	42223	(008000-) Fitting, Hyd, Str, Jm10/Om12	1
7	393215	(008000-) Fitting, Hyd, E45, Jm04/Om06	1
8	1024249	(008000-) Fitting, Hyd, E45, Jm10/Om12	1
9	19583	(008000-) Screw, Soc, .50-13 X 1.50, Al	4
▽	10 54087	(008000-) Hub Assy, Wheel, 5 Bolt 4.50bc Taper B	1
▲	32126	(008000-) Stud, Wheel, .50-20 X 1.50l, 0.370th	5
11	08180	(008000-) Pin, Cotter, .125 X 2.00	2
12	51339	(008000-) Bearing, Cone, 1.38b 0.71w	2
13	374563	(008000-) Washer, Flat, 2.16b 3.50d .16, Felt	1
14	54051	(008000-) Washer, Flat, 1.39b 2.12d .13, Stl	1
15	73281	(008000-) Bolt, Shld, 1.37d X 5.13l, 1.1-18 Drilled	1
16	54052	(008000-) Nut, Hex, Slt'd, 1.12-18	1
17	72926	(008000-) Screw, Soc, M16 X 2.0 X 50, 12.9	2
18	24339	(008000-) Nut, Wheel, .50-20 X 60 Angle	5
19	1034270	(008000-) Cylinder, Hyd, 2.0b, 15.2l, 09.00strk, 3000	1
20	47522	(008000-) Fitting, Hyd, E45, Jm06/Om06	2
21	77345	(008000-) Screw, Hex, .75-10 X 3.25, G5	1
22	82832	(008000-) Sleeve, Nyl, 2.38id 25.0l	1
23	1073487	(008000-) Washer, Flat, .781b 1.63od .16, Stl, Blk	2
24	49266	(008000-) Tie, Cable, Nyl, 07.3l .19w 1.8 Max D	2
25	1052521	(008000-) Bar, Flat, Stl 0.19, 01.50 X 04.1l	1
26	16931	(008000-) Screw, Hex, M8 X 1.25 X 20, 8.8	2
27	32491	(008000-) Washer, Flat, 0.31, Std	2
28	1061973	(008000-) Tire, Drive, Scrbr, Pu, Grey, 18.0X6.0 (Optional Polyurethane)	1
29	57315	(008000-) Sleeve, Nyl, #37 05.0l	2
30	49266	(008000-) Tie, Cable, Nyl, 07.3l .19w 1.8 Max D	2
31	1059343	(008000-) Tire, Drive, Scrbr, Non-Skid, 18.0X6.0	1
32	1060521	(008000-) Bracket, Mtg, Sppt	1

Fig. 21 - Wheel Group, Rear

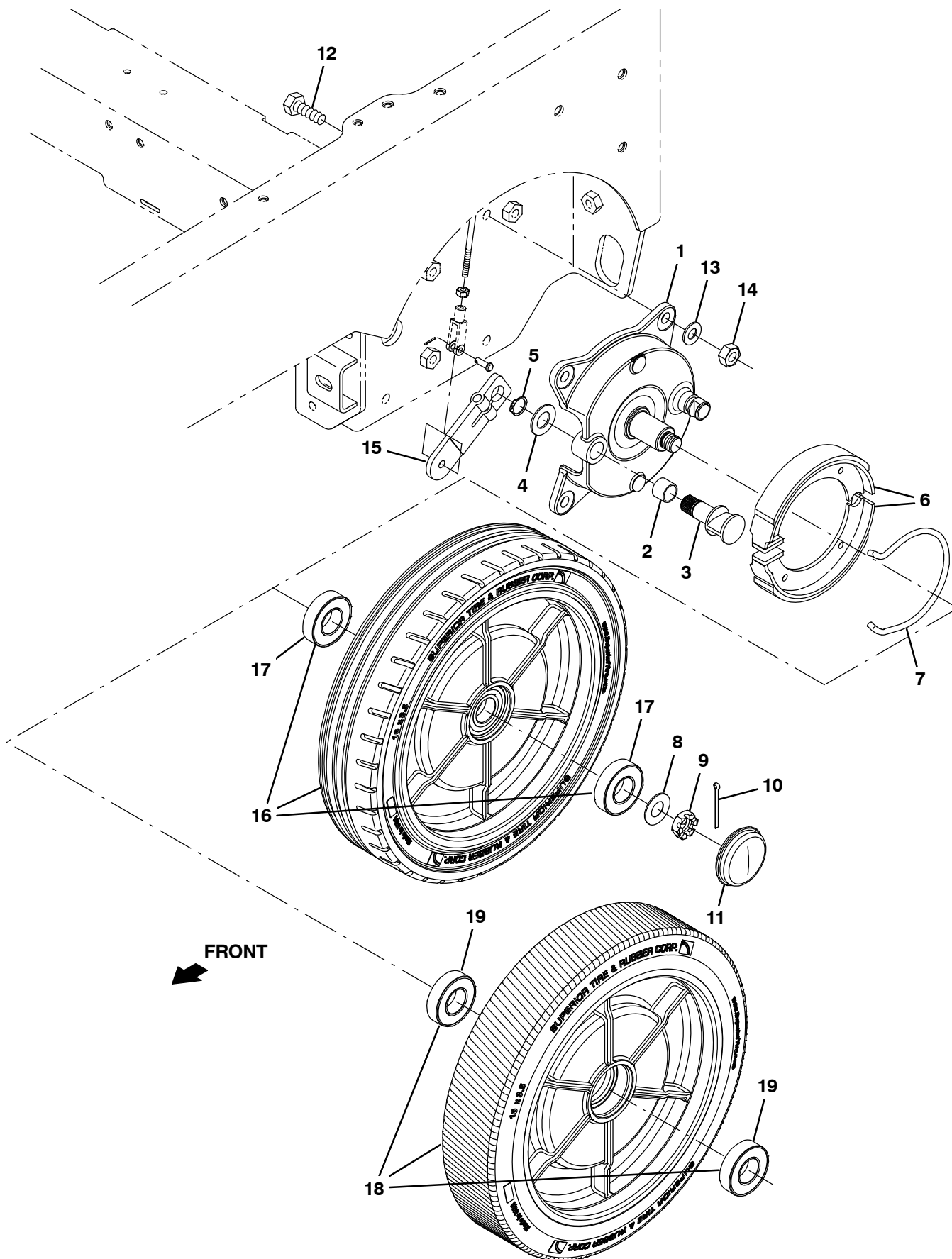


Fig. 21 – Wheel Group, Rear

	Ref.	Part No.	Serial Number	Description	Qty.
▽		360023	(008000–) Brake Assy, Drum, Mech, 07.0d 1.2w	2
▲	1	360270	(008000–) Plate, Backing, Brake	1
▲	2	360271	(008000–) Bushing, Sleeve, 0.78b 0.86d 0.93l, Bnz	1
▲	3	360272	(008000–) Cam, Plt, Brake [Nickel]	1
▲	4	360273	(008000–) Washer, Flat, M21.0b X 37d X 3	1
▲	5	360274	(008000–) Retainer, Ring, Brake	1
▲	6	360275	(008000–) Shoe, Brake, 180 X 30mm	2
▲	7	360276	(008000–) Spring, Wir, 0.25d, Return, Brake	1
	8	49145	(008000–) Washer, Flat, 0.76b 1.50d .06, Ss	2
	9	86659	(008000–) Nut, Hex, Sltd, .75–16	2
	10	08171	(008000–) Pin, Cotter, .156 X 2.00	2
	11	54390	(008000–) Cap, Hub, Dust 2.57d 0.77l	2
	12	06969	(008000–) Screw, Hex, M12 X 1.75 X 40, 8.8	8
	13	32486	(008000–) Washer, Flat, 0.50 Sae	8
	14	08711	(008000–) Nut, Hex, Lock, M12 X 1.75,NI	8
	15	360802	(008000–) Arm, Lever, Brake, 4.1 [Knott]	2
▽	16	1076240	(008000–) Tire Assy, Idler, 16.0 X 3.5, Rubber	2
▲	17	360074	(008000–) Bearing, Ball, 1.18b 2.44d 0.63w	2
▽	18	1076680	(008000–) Tire, Idle, 16 X 3.5, Pu, Siped Tread(Optional Polyurethane)	2
▲	19	360074	(008000–) Bearing, Ball, 1.18b 2.44d 0.63w	2

Fig. 22 – Brake Pedal Linkage Group

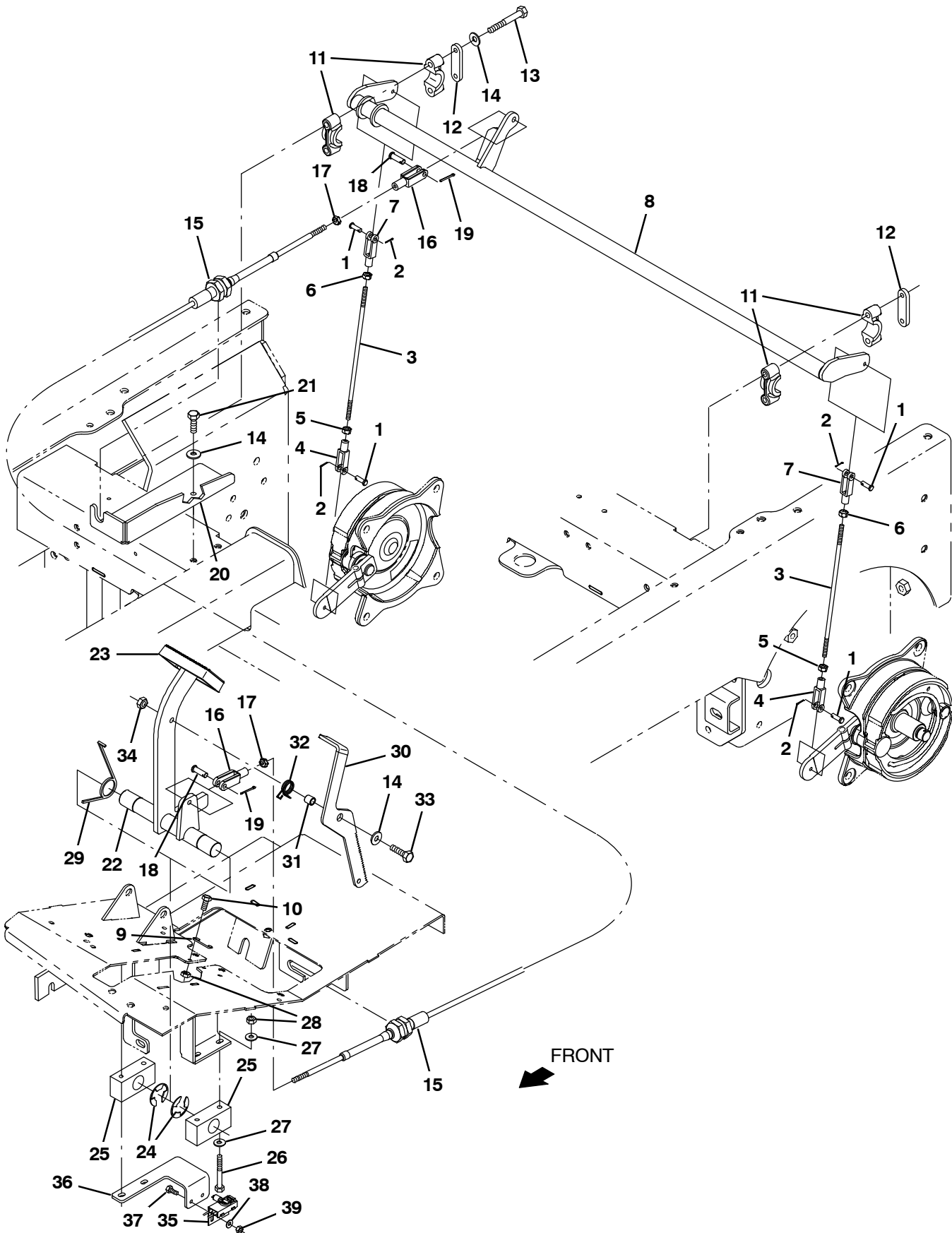


Fig. 22 – Brake Pedal Linkage Group

Ref.	Part No.	Serial Number	Description	Qty.
1	14605	(008000–) Pin, Clevis, 0.25d X 0.75l	4
2	08170	(008000–) Pin, Cotter, .062 X 0.50	4
3	364347	(008000–) Rod	2
4	14595–1	(008000–) Clevis, Adj, 0.25 Pin, 0.25–28 Rh, Pl	2
5	364948	(008000–) Nut, Hex, Std, .25–28, Lh	2
6	01714	(008000–) Nut, Hex, Std, .25–28	2
7	364864	(008000–) Clevis, Adj, 0.25pin, 0.25–28left Pl	2
8	1022031	(008000–) Shaft Wldt, Brake	1
9	71367	(008000–) Spring, Wir, 0.08d, Brake, Parking	1
10	06942	(008000–) Screw, Hex, M6 X 1.0 X 16, 8.8	2
11	381502	(008000–) Bearing, Split, 1.00b	4
12	382224	(008000–) Plate, Sppt	2
13	39279	(008000–) Screw, Hex, M8 X 1.25 X 70, 8.8	4
14	32491	(008000–) Washer, Flat, 0.31, Std	7
15	1025495	(008000–) Cable, Push / Pull, 063.0l 4.0, .31–24	1
16	58311	(008000–) Clevis, Adj, 0.31pin, 0.31–24	2
17	20170	(008000–) Nut, Hex, Jam, .31–24	2
18	69582	(008000–) Pin, Clevis, 0.31d X 1.00l	2
19	08179	(008000–) Pin, Cotter, .094 X 1.00	2
20	1022736	(008000–) Bracket, Mtg, Cable	1
21	16931	(008000–) Screw, Hex, M8 X 1.25 X 20, 8.8	2
22	1022243	(008000–) Shaft Wldt, Pedal, Brake	1
23	51109	(008000–) Pad, Pedal, Brake, 3.96l 2.36w 0.75	1
24	23788	(008000–) Ring, Retaining, Ext, 0.98d, [E–Ring]	2
25	86751	(008000–) Bearing, Pillowblock, 1.02b [Solid Pye]	2
26	06548	(008000–) Screw, Hex, M6 X 1.0 X 60, 8.8	4
27	32490	(008000–) Washer, Flat, 0.25 Std	8
28	08708	(008000–) Nut, Hex, Lock, M6 X 1.0, NI	6
29	54607	(008000–) Spring, Tors, 1.13id .12wir 02.3coil Rh	2
30	1025487	(008000–) Pedal, Brake, Lock	1
31	46563	(008000–) Bushing, Sleeve, 0.37b 0.50d 0.50l, Oib	1
32	59009	(008000–) Spring, Tors, 0.75id .06wir 02.8coil	1
33	06955	(008000–) Screw, Hex, M8 X 1.25 X 35, 8.8	1
34	08709	(008000–) Nut, Hex, Lock, M8 X 1.25, NI	1
35	59962	(008000–) Switch, Snap, 15a Nc, Rlr	1
36	1228195	(008000–) Bracket, Mtg, Switch	1
37	24199	(008000–) Screw, Hex, M5 X 0.80 X 16, Ss	2
38	01683	(008000–) Washer, Flat, 10, Ss	2
39	09739	(008000–) Nut, Hex, Lock, M5 X 0.80, NI, Ss	2

Fig. 23 – Directional Pedal Group

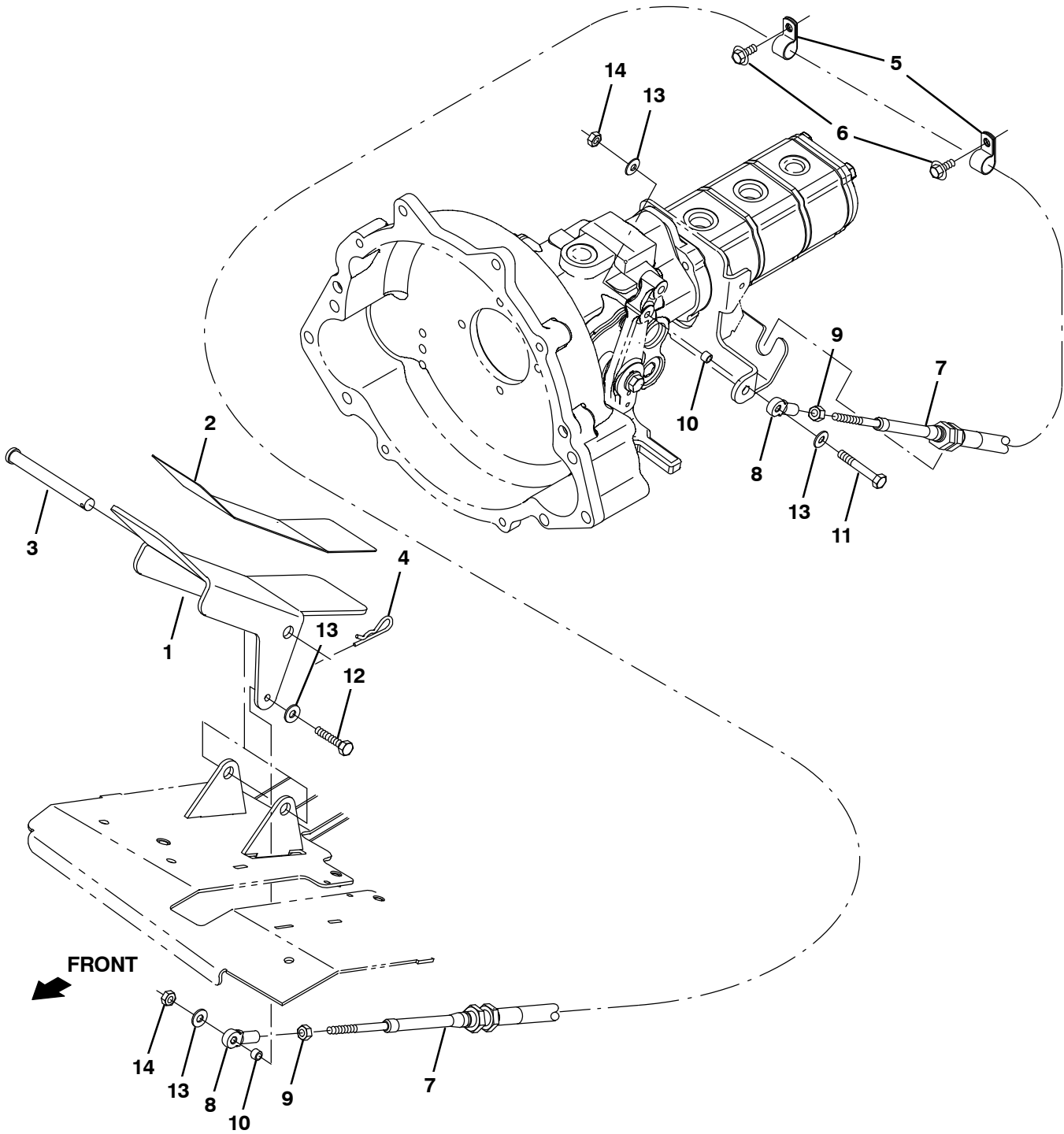


Fig. 23 - Directional Pedal Group

Ref.	Part No.	Serial Number	Description	Qty.
1	1025140	(008000-) Pedal, Propel	1
2	58819	(008000-) Tread, Non-Skid, 03.0w 11.6l	1
3	59668	(008000-) Pin, Clevis, 0.50 D X 4.50l	1
4	08182	(008000-) Pin, Cotter, .125 X 1.00	1
5	67767	(008000-) Clamp, Cable, Stl, 0.69d X 0.62w, 1h	2
6	361339	(008000-) Screw, Hex, M6 X 1.0 X 16, Fmg	2
7	1022345	(008000-) Cable, Push / Pull, 098.0l .25-28/.25-28	1
8	68866	(008000-) Rod-End, .25-28rh Fem 0.25b [Teflon]	2
9	01714	(008000-) Nut, Hex, Std, .25-28	2
10	65441	(008000-) Tube, 00.38d 00.26b 00.3l Stl Plt	2
11	41399	(008000-) Screw, Hex, .25-20 X 2.25, Ss	1
12	42180	(008000-) Screw, Hex, .25-20 X 1.75, Ss	1
13	32490	(008000-) Washer, Flat, 0.25 Std	4
14	41169	(008000-) Nut, Hex, Lock, .25-20, NI, Ss	2

Fig. 24 – Hydraulic Pump Linkage Group

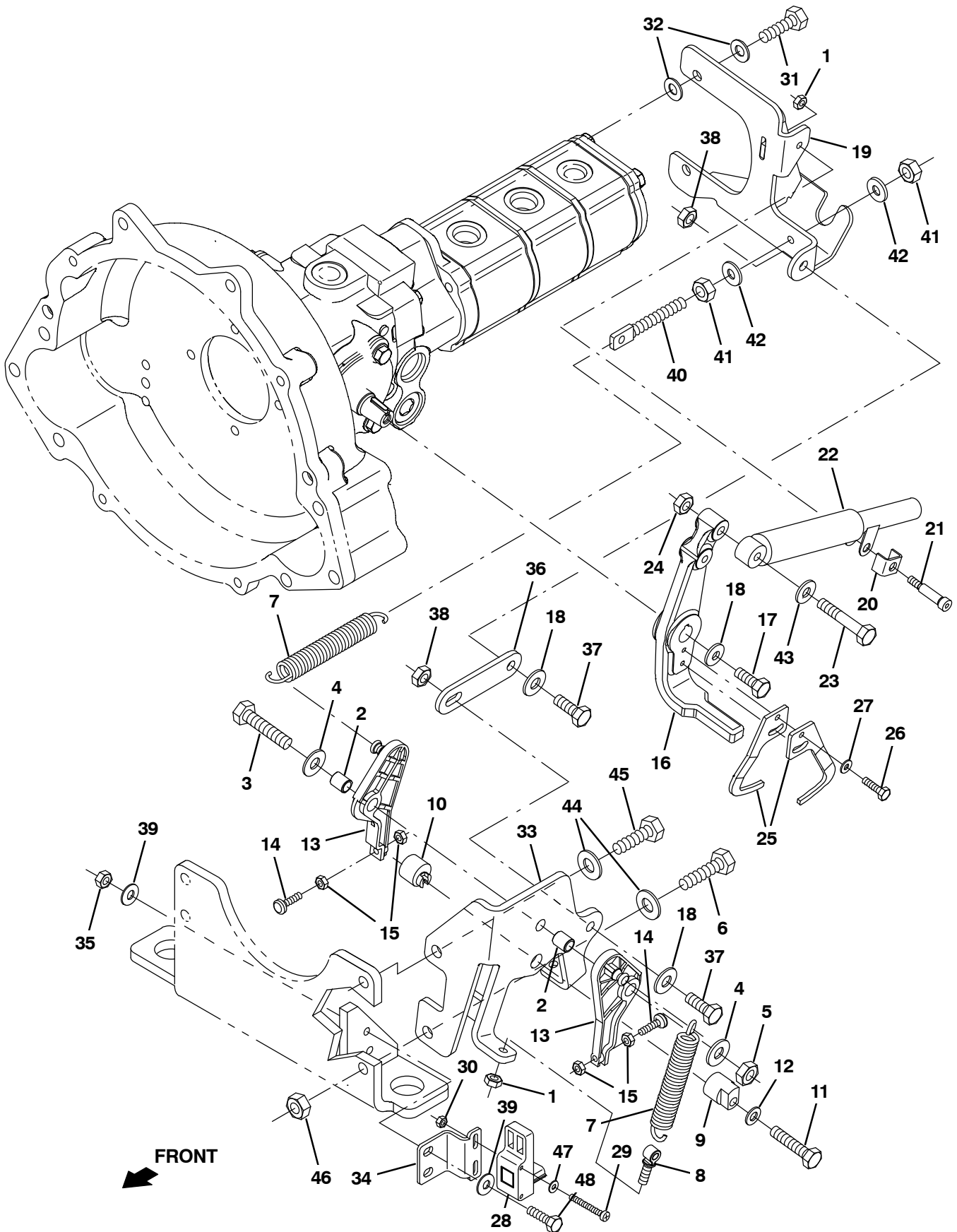


Fig. 24 - Hydraulic Pump Linkage Group

Ref.	Part No.	Serial Number	Description	Qty.
1	41169	(008000-) Nut, Hex, Lock, .25-20, NI, Ss	2
2	63234	(008000-) Tube, 00.50d 00.38b 00.6l Stl	2
3	42467	(008000-) Screw, Hex, .38-16 X 2.00, Ss	1
4	32492	(008000-) Washer, Flat, 0.38 Std	2
5	36643	(008000-) Nut, Hex, Lock, .38-16, NI, Thin	1
6	39284	(008000-) Screw, Hex, M10 X 1.50 X 35, 8.8	1
7	11842	(008000-) Spring, Extn, 0.75od X 0.12wir, 4.3l	2
8	48079	(008000-) Bolt, Eye, .25-20 X 1.40 X .25 Eye	1
9	53947	(008000-) Cam, Centering, Pintle	1
10	54655	(008000-) Cam, Centering, Pintle	1
11	74440	(008000-) Screw, Hex, M8 X 1.25 X 40, Ss, NI	1
12	39349	(008000-) Washer, Flat, 0.31 Sae	1
13	53953	(008000-) Arm, Cntrl, Pintle, Centering	2
14	54205	(008000-) Bumper, Rbr, 0.5d 0.16t M5 X 08	2
15	50335	(008000-) Nut, Hex, Std, M5 X 0.8, 8	4
16	1027233	(008000-) Arm, Pintle	1
17	83879	(008000-) Screw, Hex, .31-24 X 0.75, NI	1
18	41186	(008000-) Washer, Belleville, .31	3
19	1027313	(008000-) Bracket Wldt, Propel, Pintle	1
20	84170	(008000-) Bracket, Retainer, Safety	1
21	16213	(008000-) Bolt, Shld, .31d X 1.00, .25-20	1
22	73411	(008000-) Shock Absorber, 2.3 Strk	1
23	39278	(008000-) Screw, Hex, M8 X 1.25 X 50, 8.8	1
24	08709	(008000-) Nut, Hex, Lock, M8 X 1.25, NI	1
25	1022787	(008000-) Arm [Positioning]	2
26	09252	(008000-) Screw, Hex, M5 X 0.8 X 20, 8.8	2
27	01683	(008000-) Washer, Flat, #10 Ss	2
28	1022779	(008000-) Sensor, Spd / Dir, 6-30vdc	1
29	09198	(008000-) Screw, Pan, M4 X 0.7 X 35, Ss	2
30	33932	(008000-) Nut, Hex, Lock, M4 X 0.7, NI, Ss	2
31	21198	(008000-) Screw, Hex, .38-16 X 1.25, G5	2
32	32485	(008000-) Washer, Flat, 0.38 Sae	4
33	1027692	(008000-) Bracket, Propel, Dsl	1
34	1027742	(008000-) Bracket, Mtg, Sensor	1
35	08708	(008000-) Nut, Hex, Lock, M6 X 1.00, NI	2
36	1032399	(008000-) Strap, Sppt	1
37	09010	(008000-) Screw, Hex, M8 X 1.25 X 25, Ss	2
38	08713	(008000-) Nut, Hex, Lock, M8 X 1.25, NI, Ss	2
39	32483	(008000-) Washer, Flat, 0.25, Sae	4
40	386088	(008000-) Bolt, Eye, M8X1.25, 2.75L	1
41	07786	(008000-) Nut, Hex, Std, M8 X 1.25, Ss	2
42	32491	(008000-) Washer, Flat, 0.31 Std	2
43	32490	(008000-) Washer, Flat, 0.25, Std	1
44	41187	(008000-) Washer, Flat, Belleville, .38	2
45	03192	(008000-) Screw, Hex, M10 X 1.50 X 30, 8.8	1
46	41430	(008000-) Nut, Hex, Lock, M10 X 1.5, NI	1
47	19065	(008000-) Washer, Flat, 0.19b 0.44d .05, Pl, 08	2
48	06944	(008000-) Screw, Hex, M6 X 1.00 X 25, 8.8	2

Fig. 25 – Hopper Lift Arms Group

Ref.	Part No.	Serial Number	Description	Qty.
1	1069933	(008000–) Frame Wldt, Lift, Hpr	1
2	23211	(008000–) Switch, Snap, 15a No, Rlr	1
3	09252	(008000–) Screw, Hex, M5 X 0.8 X 20, 8.8	2
4	19066	(008000–) Washer, Flat, #10	2
5	07789	(008000–) Nut, Hex, Flng, M5 X 0.8	2
6	1018226	(008000–) Pin, 0.87d 01.8l, 1/M6 X 1.0, 1cham,Stl	2
7	364587	(008000–) Bushing, Sleeve, 0.88b 1.00d 0.75l, Bnz	2
8	72897	(008000–) Plate, Pin, Clevis, Upper	2
9	1040467	(008000–) Screw, Hex, M6 X 1.0 X 20, 9.8, Sems	4
10	42120-1	(008000–) Bearing, Self Align, 1.25b 2.00d	2
11	59542	(008000–) Ring, Retaining, Int, 2.00d	4
12	07259	(008000–) Fitting, Grease, Str Pm04 .47l	2
13	1018260	(008000–) Tube Wldt, Arm, Safety	1
14	1018262	(008000–) Rod Wldt, Arm, Safety	1
15	1018266	(008000–) Pin, Arm, Safety	1
16	16944	(008000–) Screw, Hex, M4 X 0.7 X 10, Fmg	1
17	1029646	(008000–) Cylinder, Hyd, 2.0B 24.1L 15.00Strk 3000	1
18	47638	(008000–) Fitting, Hyd, E90, Jm04/Om06	1
19	393215	(008000–) Fitting, Hyd, E45, Jm04/Om06	1
20	1025904	(008000–) Fitting, Hyd, Rst, Jf04/Jm04, .028	1
21	1018227	(008000–) Pin, Clevis, 0.88d X 2.25l	2
22	02942	(008000–) Pin, Cotter, Hair, 0.62d .120 Wir	2
23	1018275	(008000–) Plate Wldt, Arm, Stop	1
24	09028	(008000–) Screw, Hex, M10 X 1.5 X 25, Ss	2
25	01686	(008000–) Washer, Flat, 0.44b 1.00d .08, Ss	2
26	1018276	(008000–) Pin, Clevis, 0.62d X 2.91l	1
27	08179	(008000–) Pin, Cotter, .094 X 1.00	1

Fig. 26 - Hopper and Debris Screen Group

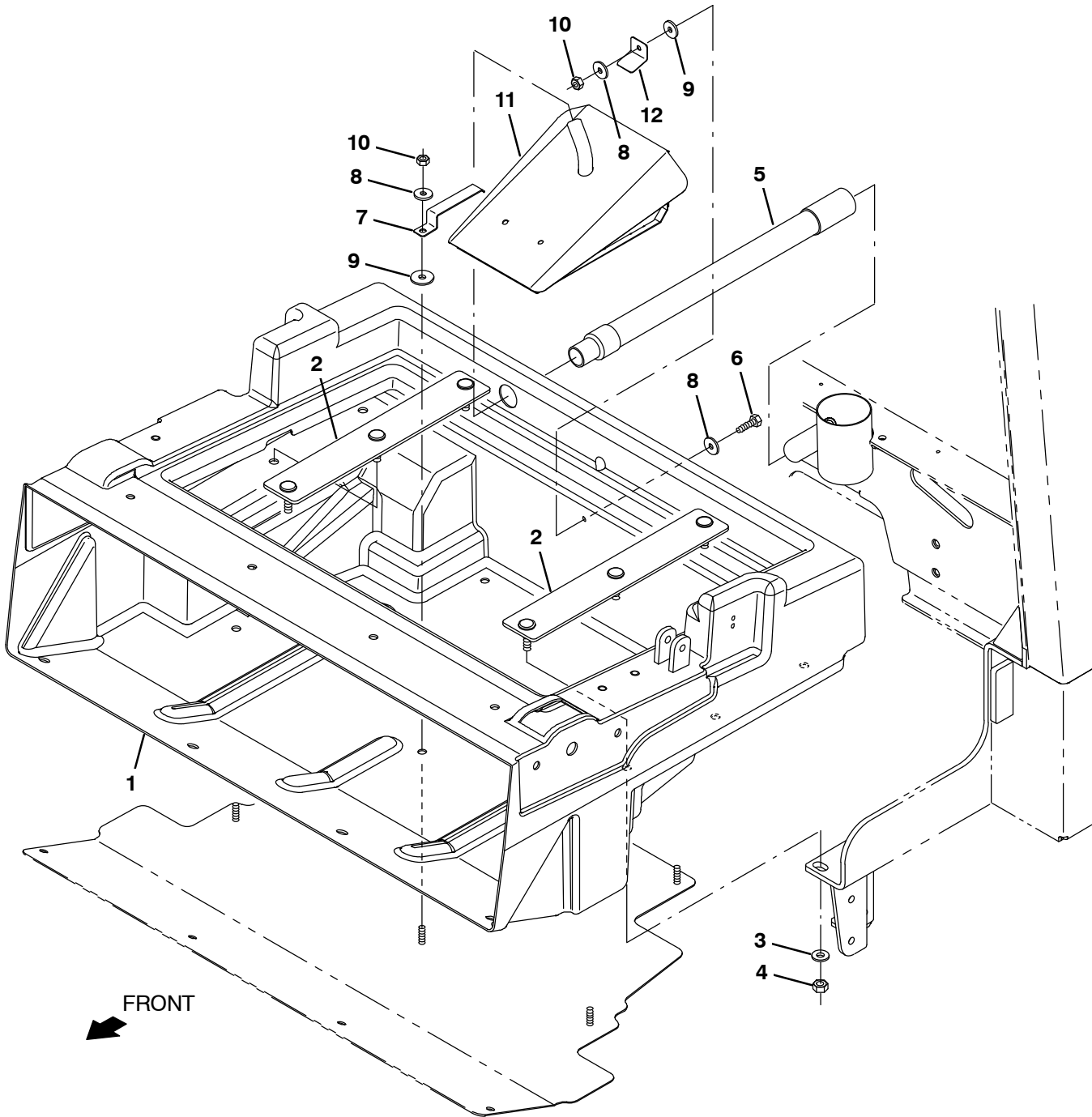


Fig. 26 – Hopper and Debris Screen Group

Ref.	Part No.	Serial Number	Description	Qty.
1	1018300	(008000–) Hopper, Debris, Rm–Hg, Trimmed	1
2	1018272	(008000–) Bar, Mtg, Hppr	2
3	763042	(008000–) Washer, Flat, Belleville, M10	6
4	08714	(008000–) Nut, Hex, Lock, M10 X 1.5, NI, Ss	6
5	1018239	(008000–) Hose Assy, W/1cuff, 1.0d 09l 1.0/	1
6	09010	(008000–) Screw, Hex, M8 X 1.25 X 25, Ss	1
7	1044323	(008000–) Spring, Flat, Retainer, Angled Screen	1
8	1017218	(008000–) Washer, Flat, 0.32b 1.00d .12, Ss	3
9	222268	(008000–) Washer, Flat, 0.38b 1.25d .12, Neo	2
10	08713	(008000–) Nut, Hex, Lock, M8 X 1.25, NI, Ss	2
11	1039163	(008000–) Screen Wldt, Hppr	1
12	1039215	(008000–) Angle, Retainer	1

Fig. 27 - Hopper Cover and Dust Filter Group

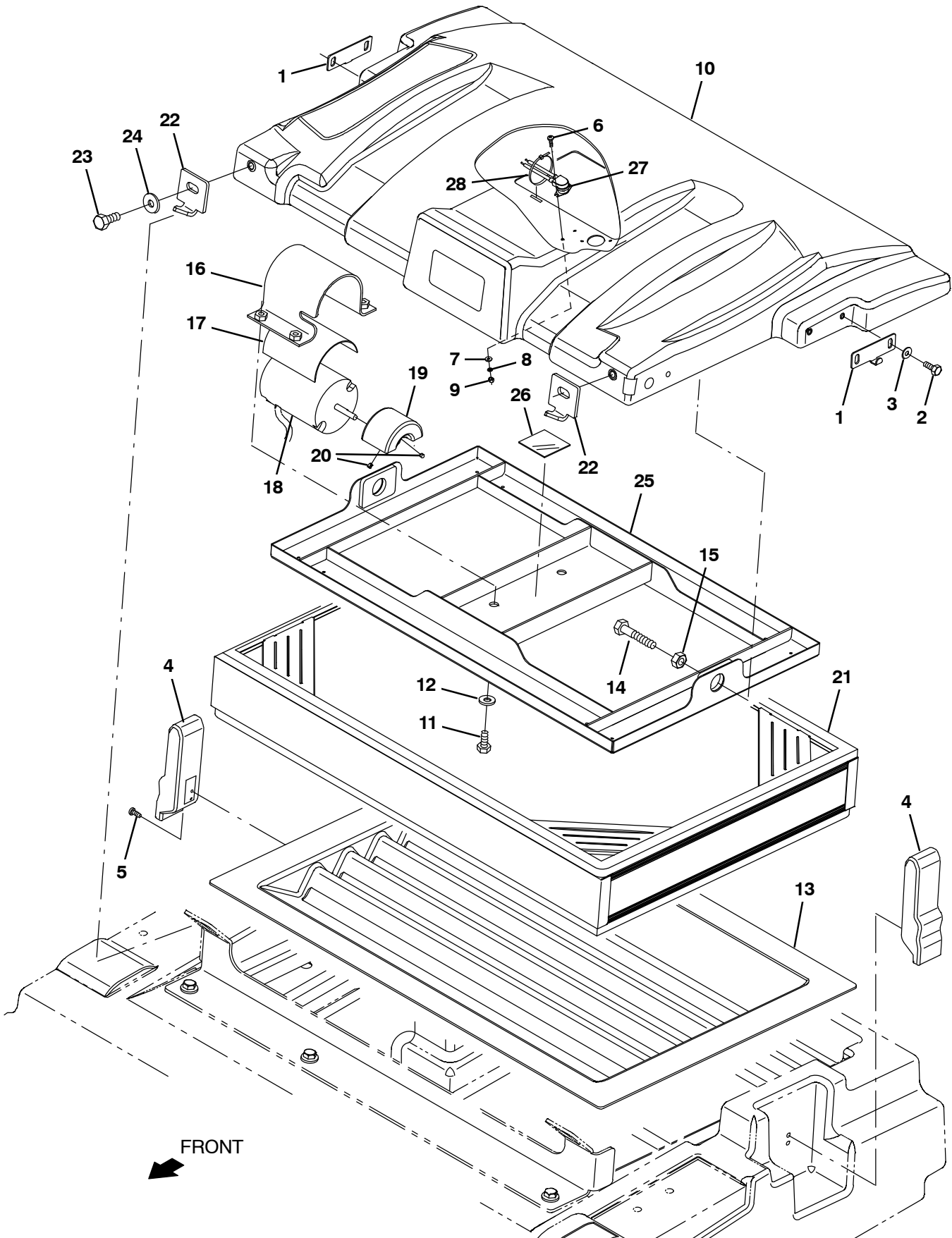


Fig. 27 - Hopper Cover and Dust Filter Group

Ref.	Part No.	Serial Number	Description	Qty.
1	1041984	(008000-) Bracket, Cover, Hppr	2
2	15678	(008000-) Screw, Hex, M6 X 1.0 X 16, Ss	4
3	01684	(008000-) Washer, Flat, 0.25, Ss	4
4	1222019	(008000-) Latch, Yellow	2
5	09200	(008000-) Screw, Pan, M5 X 0.8 X 12, Ss	4
6	06922	(008000-) Screw, Pan, M3 X 0.5 X 20, 4.8	2
7	19064	(008000-) Washer, Flat, #06	2
8	32975	(008000-) Washer, Lock, Int, #06	2
9	01754	(008000-) Nut, Hex, Std, M3 X 0.5, 8	2
10	1041006	(008000-) Cover, Hppr	1
11	09740	(008000-) Screw, Hex, M8 X 1.25 X 20, Ss	4
12	01685	(008000-) Washer, Flat, 0.38b 0.88d .08, Ss	4
13	1037947	(008000-) Tray, Perma-Filter	1
14	06963	(008000-) Screw, Hex, M10 X 1.50 X 60, 8.8	2
15	39312	(008000-) Nut, Hex, Std, M10 X 1.50	2
16	1037671	(008000-) Strap, Mtg, Motor, .124.00W	1
17	36658	(008000-) Strip, Rbr, 0.06 04.00w 05.0l Neo/60	1
18	1059542	(008000-) Motor, Ele 12Vdc, Shagr	1
19	1053320	(008000-) Weight, Eccentric	1
20	20634	(008000-) Screw, Set, #10-24 X 0.25, NI	2
21	1048295AM	(008000-) Filter, Panl, Syn, 4.2 X 20.0 X 30.0	1
22	1018207	(008000-) Bar, Mtg, Hppr Cover	2
23	09291	(008000-) Screw, Hex, M10 X 1.5 X 20, Ss	2
24	1014563	(008000-) Washer, Flat, 0.40b 1.12d .12, Ss	2
25	1037235	(008000-) Shaker Wldt	1
26	36661	(008000-) Strip, Rbr, 0.06 01.00W 04.0L	1
27	1056298	(008000-) Switch, Temp, Sealed, Nc	1
28	763116	(008000-) Tie, Cable, Nyl, 15.3L . W 4.5 Max D	1

Fig. 28 – Hopper Bumper Group

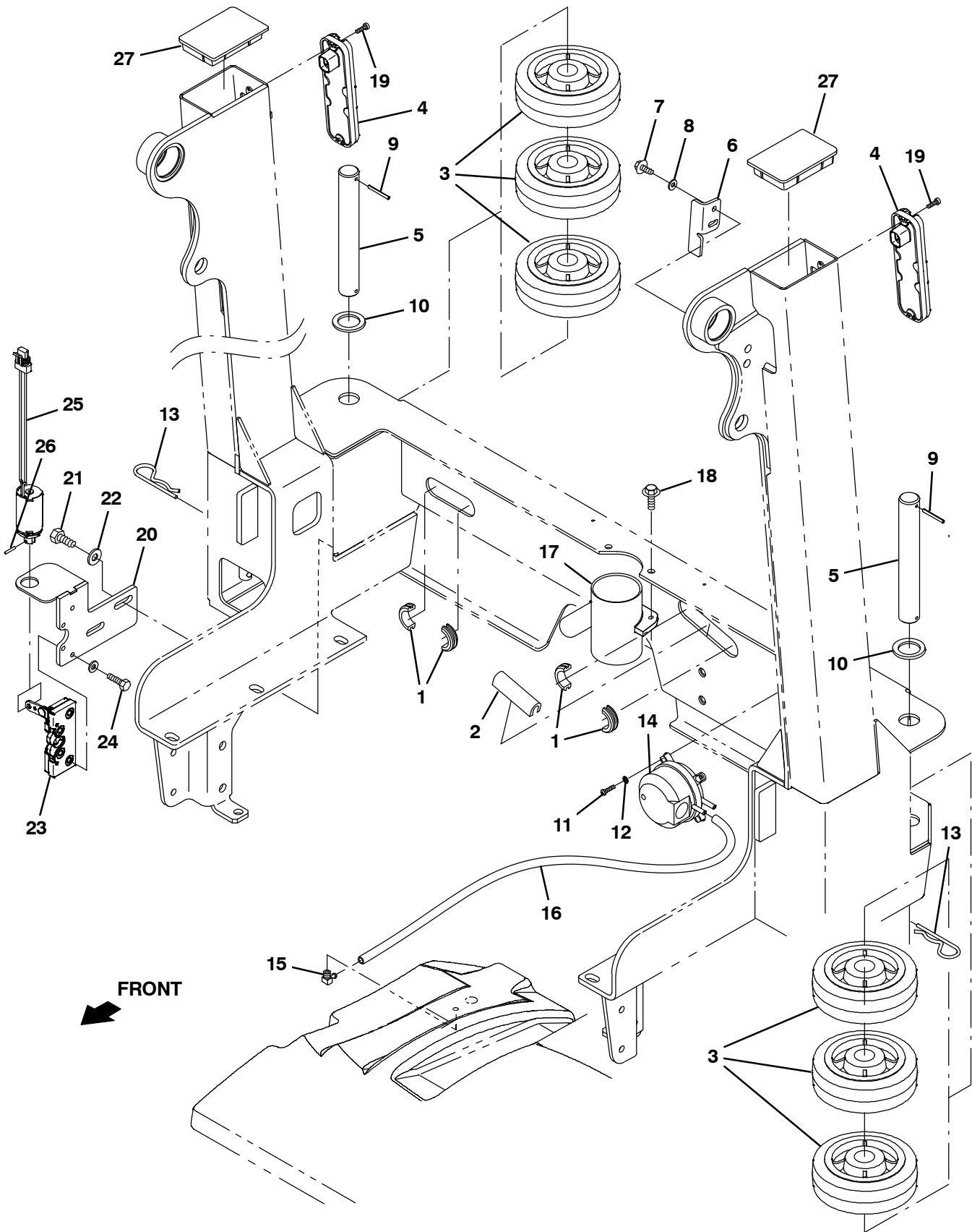


Fig. 28 - Hopper Bumper Group

Ref.	Part No.	Serial Number	Description	Qty.
1	10632-13	(008000-) Grommet, Rbr, 1.50id, F/1.8h, .19 Matl	2
2	50646	(008000-) Molding, Trim, Pvc,.18-.31 07.5l	1
3	1060130	(008000-) Wheel, 06.0d 2.00w 1.19b, Gray Rbr	6
4	1018208	(008000-) Light, Tail, 12vdc	2
5	1053838	(008000-) Pin, 30mmd X 215mml	2
6	1018240	(008000-) Bracket, Mtg, Switch	1
7	361339	(008000-) Screw, Hex, M6 X 1.0 X 16, Fmg	2
8	32483	(008000-) Washer, Flat, 0.25 Sae	2
9	23146	(008000-) Pin, Roll, .187d X 1.62l, .187/.192	2
10	1062566	(008000-) Washer, Flat, 1.26B 1.88D .13, Stl, Pl	2
11	12323	(008000-) Screw, Pan, M4 X 0.7 X 20, Ss	2
12	02938	(008000-) Washer, Lock, Int, #08, Ss	2
13	34411	(008000-) Pin, Cotter, Hair, 1.00d .178 Wir	2
14	1052885	(008000-) Switch, Press, Adj [4-16 In Wtr]	1
15	32183	(008000-) Fitting, Brs, E90, Pm02/Bm03	1
16	1031575	(008000-) Hose, Afmkt, Vacuum, 0.16id, 03ft	1
17	1036240	(008000-) Tube, Vacuum	1
18	1037346	(008000-) Screw, Hex, M8 X 1.25 X 25, 9.8, Sems	2
19	06928	(008000-) Screw, Pan, M4 X 0.7 X 20, 4.8	4
20	1018280	(008000-) Plate Wldt, Mtg, Solenoid	1
21	12309	(008000-) Screw, Hex, M12 X 1.75 X 30, Ss	2
22	32486	(008000-) Washer, Flat, 0.50, Sae	2
23	21623	(008000-) Latch	1
24	06944	(008000-) Screw, Hex, M6 X 1.0 X 25, 8.8	4
25	1018274	(008000-) Solenoid, Pull, 12vdc, Damper	1
26	20021	(008000-) Pin, Roll, .125 D X 0.75l, .125/.129	1
27	1018293	(008000-) Cap, Arm, Lift	2

Fig. 29 - Hopper Door Group

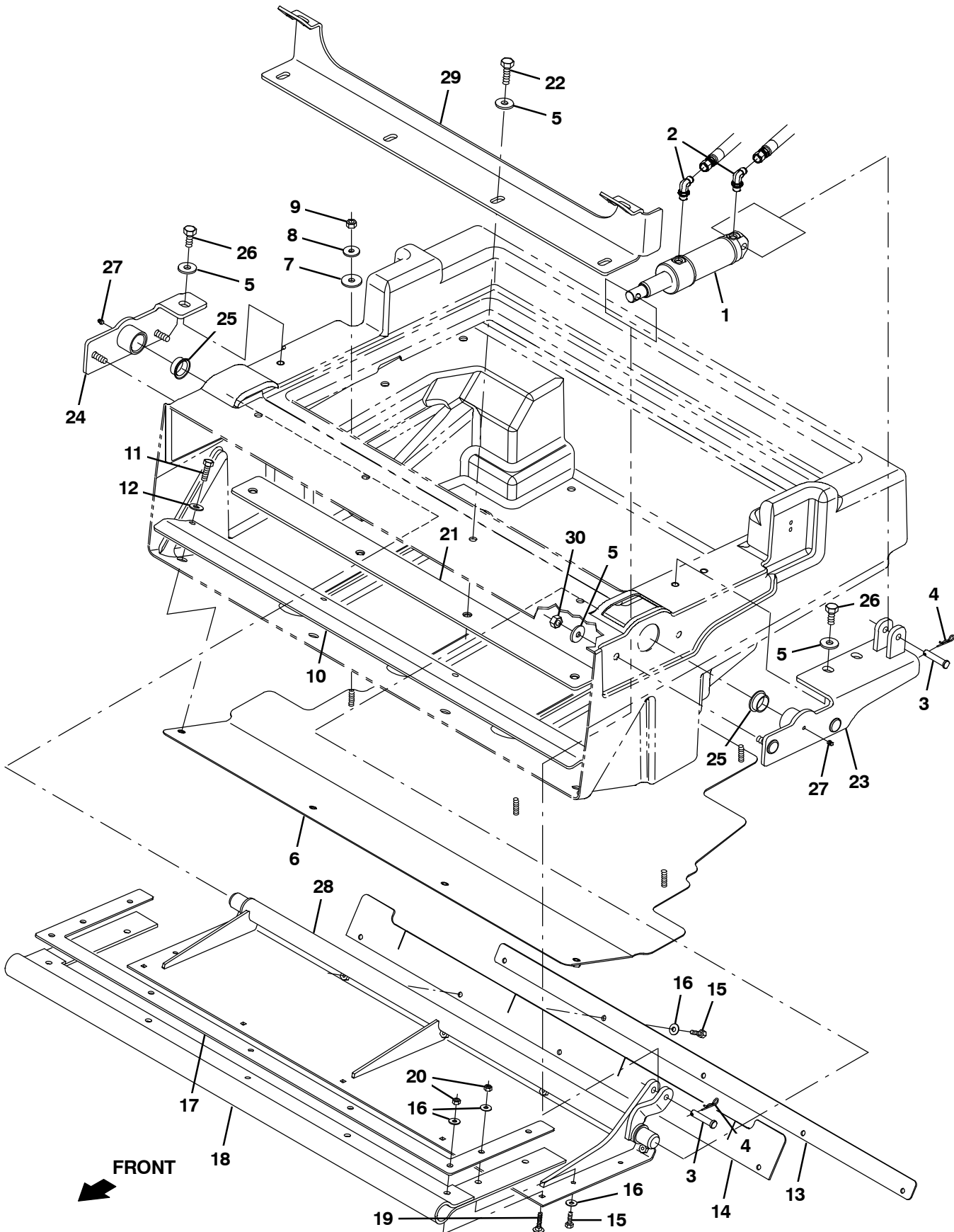


Fig. 29 - Hopper Door Group

Ref.	Part No.	Serial Number	Description	Qty.
1	1038115	(008000-) Cylinder, Hyd, 1.5b 07.8l 02.75strk 2500	1
2	77097	(008000-) Fitting, Hyd, E90, Jm04/Om04	2
3	17461	(008000-) Pin, Clevis, 0.37d X 1.75l	2
4	08179	(008000-) Pin, Cotter, .094 X 1.00	2
5	1014563	(008000-) Washer, Flat, 0.40b 1.12d .12, Ss	11
6	1018237	(008000-) Plate, Bottom, Hppr	1
7	222268	(008000-) Washer, Flat, 0.38b 1.25d .12, Neo	2
8	1017218	(008000-) Washer, Flat, 0.32b 1.00d .12, Ss	2
9	08713	(008000-) Nut, Hex, Lock, M8 X 1.25, NI, Ss	2
10	1018236	(008000-) Bracket, Lip, Hppr	1
11	09010	(008000-) Screw, Hex, M8 X 1.25 X 25, Ss	4
12	01685	(008000-) Washer, Flat, 0.31, Ss	4
13	1039155	(008000-) Strap, Door, Dump	1
14	1018245	(008000-) Seal, Door, Dump	1
15	08716	(008000-) Screw, Hex, M6 X 1.0 X 20, Ss	9
16	01684	(008000-) Washer, Flat, 0.25, Ss	14
17	1039149	(008000-) Plate, Retainer, Door, Dump	1
18	1039157	(008000-) Seal, Door, Dump	1
19	379791	(008000-) Bolt, Carriage, M06 X 1.0 X 30	5
20	08712	(008000-) Nut, Hex, Lock, M6 X 1.0, Ss, NI	9
21	1018253	(008000-) Bracket, Cover	1
22	12317	(008000-) Screw, Hex, M10 X 1.5 X 30, Ss	4
23	1038123	(008000-) Bracket Wldt, Pivot, Hppr Door, Lh	1
24	1038134	(008000-) Bracket Wldt, Pivot, Hppr, Rh	1
25	367313	(008000-) Bushing, Flng, 1.00b 1.13d 0.50l	2
26	09291	(008000-) Screw, Hex, M10 X 1.5 X 20, Ss	3
27	07259	(008000-) Fitting, Grease, Str Pm04 .47l	2
28	1039124	(008000-) Door Wldt, Hppr	1
29	1044993	(008000-) Bracket, Cover, Hopper	1
30	08714	(008000-) Nut, Hex, Lock, M10 X 1.5, NI, Ss	4

Fig. 30 – Cylindrical Scrub Brush Drive Group, Left Side

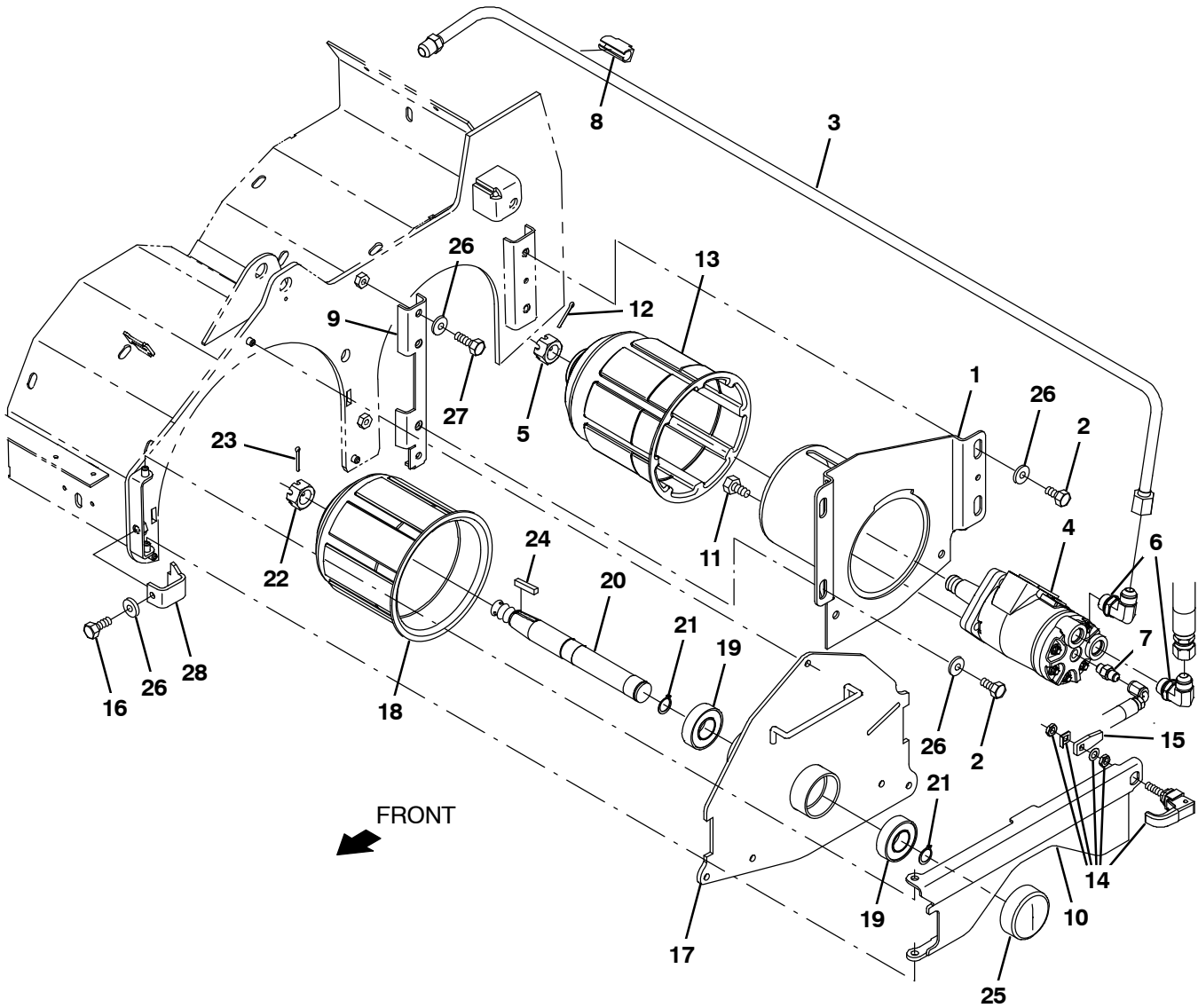


Fig. 30 – Cylindrical Scrub Brush Drive Group, Left Side

Ref.	Part No.	Serial Number	Description	Qty.
	1	1021019	(008000–) Housing Wldt, Brush, Drive	1
	2	15675	(008000–) Screw, Hex, M8 X 1.25 X 16, Ss	4
	3	1023617	(008000–) Tube, Hyd, 08 Jf08/Jm08	1
▽	4	1068811	(008000–) Motor, Hyd, Gear, Int 04.5 Bi–Dir 1500	1
▲	5	39527	(008000–) Nut, Hex, Sltld, .75–18	1
	6	44868	(008000–) Fitting, Hyd, E90, Jm08/Om08	2
	7	55586	(008000–) Fitting, Hyd, Str, Jm04/Om04	1
	8	1026080	(008000–) Clamp, Hyd, 0.50d	1
	9	1054575	(008000–) Bracket, Sppt	1
	10	1029964	(008000–) Door Wldt, Brush	1
	11	01762	(008000–) Screw, Hex, .38–16 X 0.75, NI	4
	12	08175	(008000–) Pin, Cotter, .125 X 1.25	1
	13	1057643	(008000–) Plug Wldt, Drive, Brush, Sweep	1
	14	1065134	(008000–) Latch, Cmpr, Yel Grip	1
	15	1026352	(008000–) Pawl, Str	1
	16	09740	(008000–) Screw, Hex, M8 X 1.25 X 20, Ss	1
▽		9012832	(008000–) Idler Door Kit, Replmt [M20/T20/M30/T12]	2
▲	17	1054857	(008000–) Door Wldt, Brush, Idler	1
▲	18	25686	(008000–) Plug Wldt, Drive, Brush	1
▲	19	13534	(008000–) Bearing, Ball, 0.98b 2.05d 0.59w	2
▲	20	56078	(008000–) Shaft, Brush, Idler	1
▲	21	09005	(008000–) Ring, Retaining, Ext, 1.00d, Basic	2
▲	22	12295	(008000–) Nut, Hex, Sltld, M20 X 2.5, 8	1
▲	23	08175	(008000–) Pin, Cotter, .125 X 1.25	1
▲	24	00927	(008000–) Key, Sq, 0.25 X 0.25, 1.25l	1
▲	25	1074807	(008000–) Cap, Vinyl, 57mmid X 23mml	1
	26	32491	(008000–) Washer, Flat, 0.31, Std	7
	27	09010	(008000–) Screw, Hex, M8 X 1.25 X 25, Ss	2
	28	1054682	(008000–) Bracket, Retainer, Lh	1

Fig. 31 – Cylindrical Scrub Brush Drive Group, Right Side

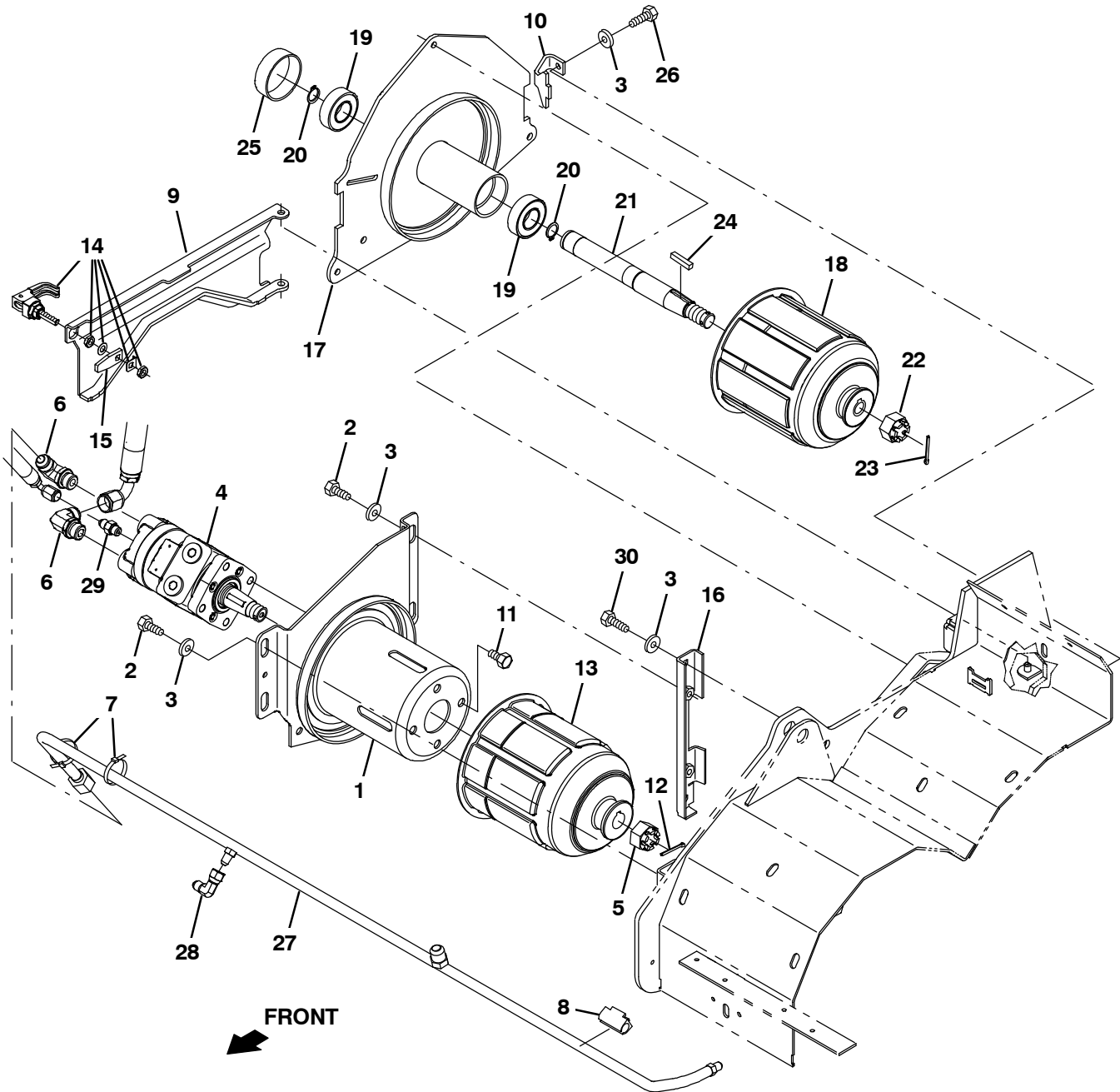


Fig. 31 – Cylindrical Scrub Brush Drive Group, Right Side

Ref.	Part No.	Serial Number	Description	Qty.
	1	1021019	(008000–) Housing Wldt, Brush, Drive	1
	2	15675	(008000–) Screw, Hex, M8 X 1.25 X 16, Ss	4
	3	32491	(008000–) Washer, Flat, 0.31, Std	7
▽	4	1068811	(008000–) Motor, Hyd, Gear, Int 04.5 Bi-Dir 1500	1
▲	5	39527	(008000–) Nut, Hex, Sltd, .75–16	1
	6	44868	(008000–) Fitting, Hyd, E90, Jm08/Om08	2
	7	49266	(008000–) Tie, Cable, Nyl, 07.3l .19w 1.8 Max D	2
	8	1026080	(008000–) Clamp, Hyd, 0.50d	1
	9	1029964	(008000–) Door Wldt, Brush	1
	10	1054610	(008000–) Bracket, Retainer, Rh	1
	11	01762	(008000–) Screw, Hex, .38–16 X 0.75, NI	4
	12	08175	(008000–) Pin, Cotter, .125 X 1.25	1
	13	1057643	(008000–) Plug Wldt, Drive, Brush, Sweep	1
	14	1065134	(008000–) Latch, Cmpr, Yel Grip	1
	15	1026352	(008000–) Pawl, Str	1
	16	1054575	(008000–) Bracket, Sppt	1
▽		9012832	(008000–) Idler Door Kit, Replmt [M20/T20/M30/T12]	2
▲	17	1054857	(008000–) Door Wldt, Brush, Idler	1
▲	18	25686	(008000–) Plug Wldt, Drive, Brush	1
▲	19	13534	(008000–) Bearing, Ball, 0.98b 2.05d 0.59w	2
▲	20	09005	(008000–) Ring, Retaining, Ext, 1.00d, Basic	2
▲	21	56078	(008000–) Shaft, Brush, Idler	1
▲	22	12295	(008000–) Nut, Hex, Sltd, M20 X 2.5, 8	1
▲	23	08175	(008000–) Pin, Cotter, .125 X 1.25	1
▲	24	00927	(008000–) Key, Sq, 0.25 X 0.25, 1.25l	1
▲	25	1074807	(008000–) Cap, Vinyl, 57mmid X 23mml	1
	26	09740	(008000–) Screw, Hex, M8 X 1.25 X 20, Ss	1
	27	1055139	(008000–) Tube, Hyd, Brush Return, W/ Cd [M20/T20]	1
	28	39210	(008000–) Fitting, Hyd, E90, Jf04/Jm04	1
	29	55586	(008000–) Fitting, Hyd, Str, Jm04/Om04	1
	30	09010	(008000–) Screw, Hex, M8 X 1.25 X 25, Ss	2

Fig. 32 - Cylindrical Scrub Brush Head Lift Group

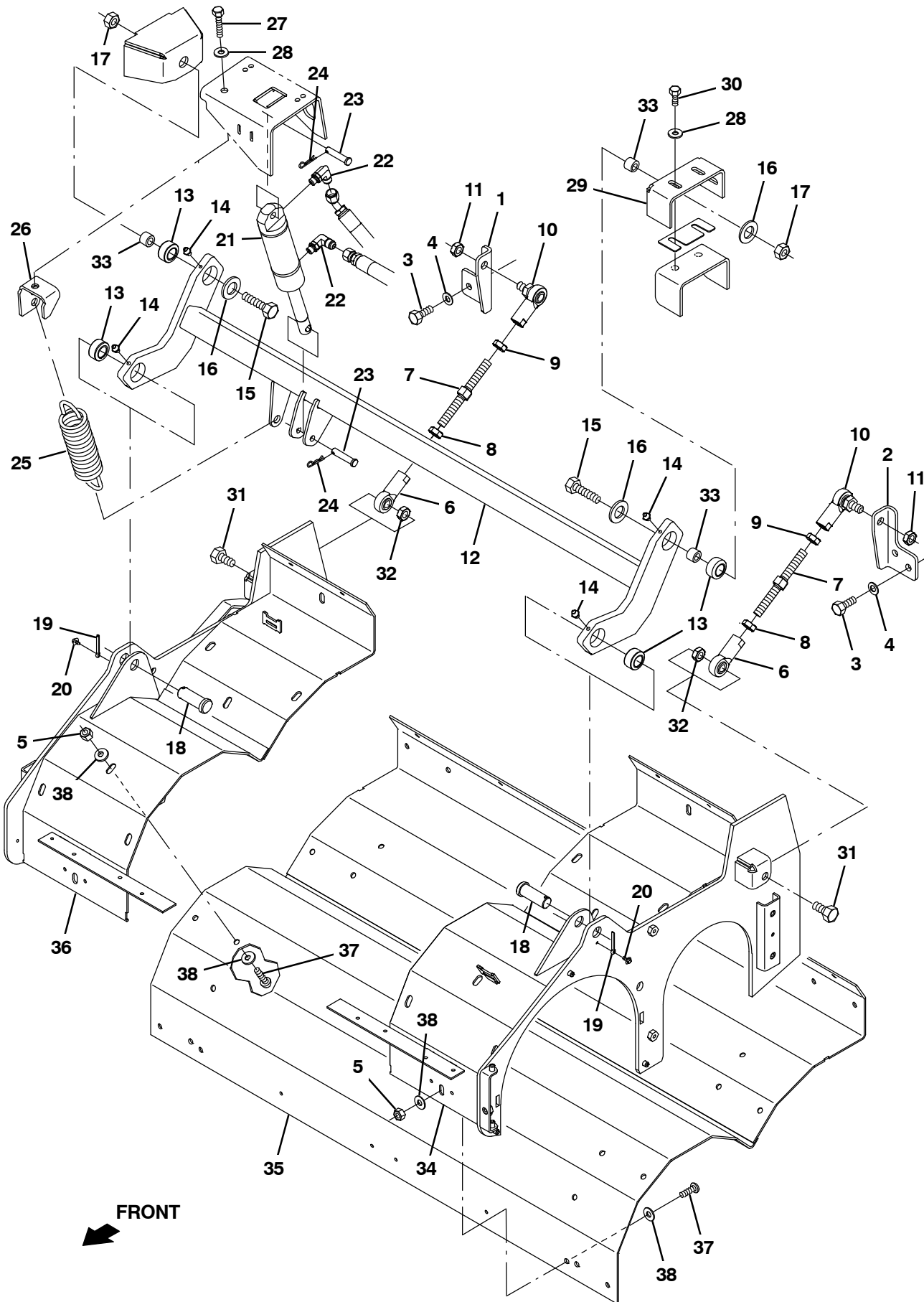


Fig. 32 – Cylindrical Scrub Brush Head Lift Group

Ref.	Part No.	Serial Number	Description	Qty.
1	1030910	(008000–) Bracket, Mtg, Scb Head, Rh	1
2	1030911	(008000–) Bracket, Mtg, Scb Head, Lh	1
3	09028	(008000–) Screw, Hex, M10 X 1.5 X 25, Ss	4
4	32485	(008000–) Washer, Flat, 0.38 Sae	4
5	08713	(008000–) Nut, Hex, Lock, M8 X 1.25, NI, Ss	10
6	67555	(008000–) Rod–End, .50–20rh Fem 0.50b	2
7	1014705	(008000–) Rod, Thrd, 2 End, .50–20 04.9l, Rh / Lh	2
8	48985	(008000–) Nut, Hex, Jam, .50–20	2
9	71369	(008000–) Nut, Hex, Jam, .50–20, Lh	2
10	382099	(008000–) Rod–End, .50–20lh Fem 0.50–20stud	2
11	51824	(008000–) Nut, Hex, Lock, .50–20, NI, Thin	2
12	1020003	(008000–) Tube Wldt, Torque	1
13	42120	(008000–) Bearing, Self Align, 0.75b 1.25d	4
14	07259	(008000–) Fitting, Grease, Str Pm04 .47l	4
15	06969	(008000–) Screw, Hex, M12 X 1.75 X 40, 8.8	2
16	41619	(008000–) Washer, Flat, 0.56b 1.38d .11, Ss	2
17	09741	(008000–) Nut, Hex, Lock, M12 X 1.75, NI, Ss	2
18	04733–12	(008000–) Pin, Clevis, 0.75d X 2.00l	2
19	08236	(008000–) Pin, Cotter, .156 X 1.25	2
20	223198	(008000–) Screw, Hex, M5 X 0.8 X 10, Fmg	2
21	1038137	(008000–) Cylinder, Hyd, 1.5b 07.8l 02.80strk 2500	1
22	77098	(008000–) Fitting, Hyd, E90, Jm06/Om04	2
23	17461	(008000–) Pin, Clevis, 0.37d X 1.75l	2
24	86866	(008000–) Pin, Cotter, Hair, 0.38d .072 Wir	2
25	1042686	(008000–) Spring, Extn, 2.00od 0.25wir 07.5l	1
26	1027810	(008000–) Bracket, Mtg, Spring	1
27	763090	(008000–) Screw, Hex, M8 X 1.25 X 60, FI	1
28	32491	(008000–) Washer, Flat, 0.31, Std	4
29	1019146	(008000–) Bracket, Mtg, Lift, Scb Head	1
30	09740	(008000–) Screw, Hex, M8 X 1.25 X 20, Ss	3
31	39811	(008000–) Screw, Hex, .50–13 X 1.50, 5	2
32	36644	(008000–) Nut, Hex, Lock, .50–13, NI, Thin	2
33	1025100	(008000–) Sleeve, P/M, 0.47b 0.75d 0.5l [430ss]	3
34	1052342	(008000–) Bracket Wldt, Brush Wrap, Lh	1
35	1069562	(008000–) Plate Wldt, Wrap, Brush	1
36	1052124	(008000–) Bracket Wldt, Brush Wrap Mtg, Rh	1
37	223470	(008000–) Screw, Btn, M8 X 1.25 X 25, Ss	10
38	32491	(008000–) Washer, Flat, 0.31, Std	20

Fig. 33 - Cylindrical Brush Head Skirt Group

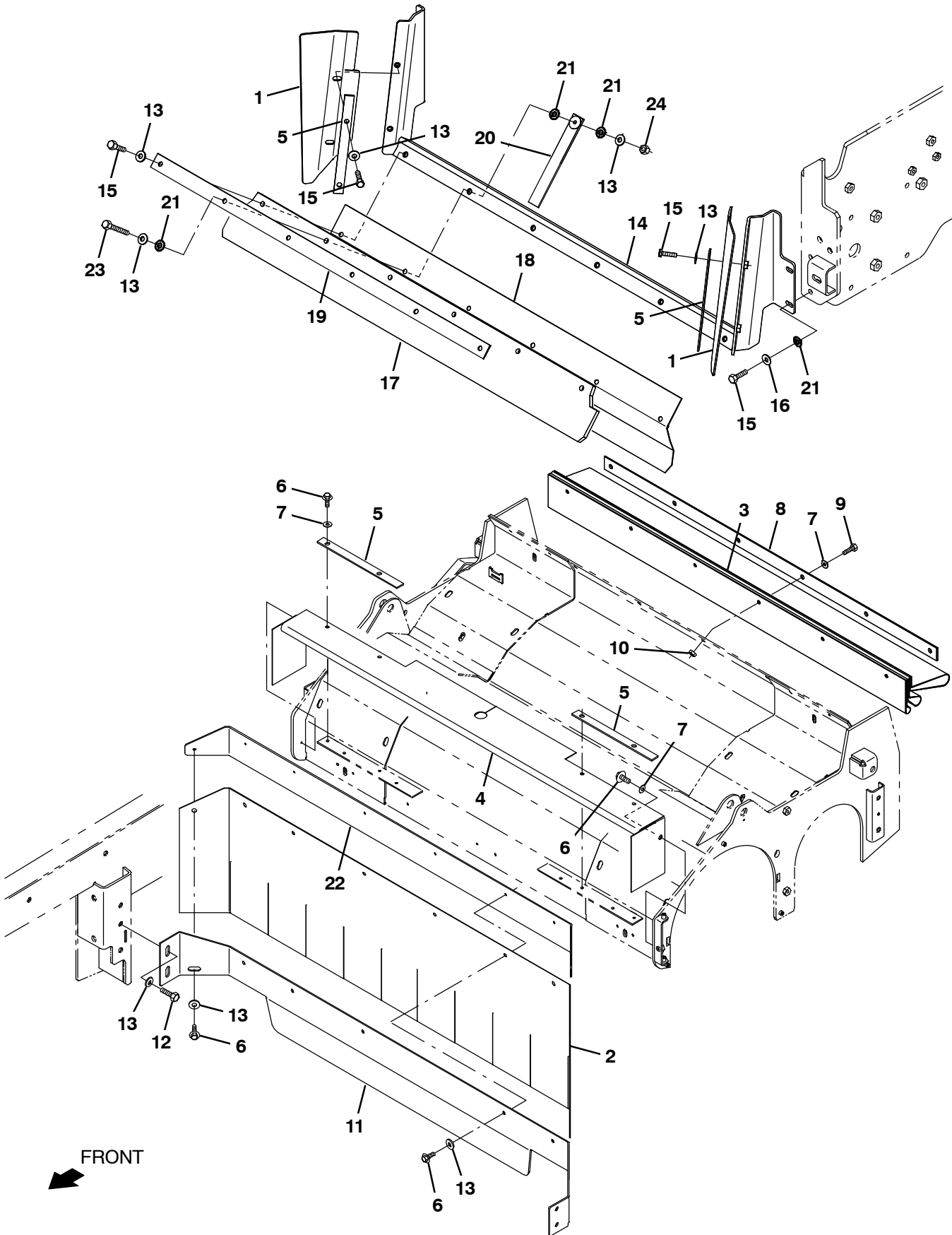


Fig. 33 – Cylindrical Brush Head Skirt Group

Ref.	Part No.	Serial Number	Description	Qty.
1	1022165	(008000–) Skirt, Neo, .12, 05.39w 14.01l, 02 Sl	2
2	1020166	(008000–) Skirt, Neo, .06, 12.00w 45.88l, 07 Hole	1
3	1026108	(008000–) Skirt, Neo, .06, 26.99w 40.55l, 36 Hole	1
4	1022363	(008000–) Skirt, Neo, .06, 07.63w 51.52l, 11 Hole	1
5	1022003	(008000–) Retainer, Skirt	4
6	361339	(008000–) Screw, Hex, M6 X 1.0 X 16, Fmg	13
7	01684	(008000–) Washer, Flat, 0.25, Ss	12
8	1020828	(008000–) Strip, Flap, Recirculation	1
9	07805	(008000–) Screw, Hex, M6 X 1.0 X 35, Ss	6
10	08712	(008000–) Nut, Hex, Lock, M6 X 1.0, Ss, NI	6
11	1039396	(008000–) Bracket, Mtg, Skirt	1
12	09740	(008000–) Screw, Hex, M8 X 1.25 X 20, Ss	4
13	01685	(008000–) Washer, Flat, 0.31, Ss	22
14	1022179	(008000–) Bracket Wldt, Flap, Recirculation	1
15	09010	(008000–) Screw, Hex, M8 X 1.25 X 25, Ss	13
16	32491	(008000–) Washer, Flat, 0.31, Std	4
17	1022007	(008000–) Skirt, Rbr, .37, 04.50w 40.94l, 06 Hole	1
18	1022009	(008000–) Skirt, Neo, .06, 06.38w 40.86l, 06 Hole	1
19	1020828	(008000–) Strip, Flap, Recirculation	1
20	1028852	(008000–) Strap, Static, Afrmkt	1
21	41141	(008000–) Washer, Lock, Int–Ext, 0.31	7
22	1040018	(008000–) Plate, Skirt, Front	1
23	33401	(008000–) Screw, Hex, M8 X 1.25 X 50, Ss, FI	1
24	08713	(008000–) Nut, Hex, Lock, M8 X 1.25, NI, Ss	1

Fig. 34 - Squeegee Lift Group, Rear

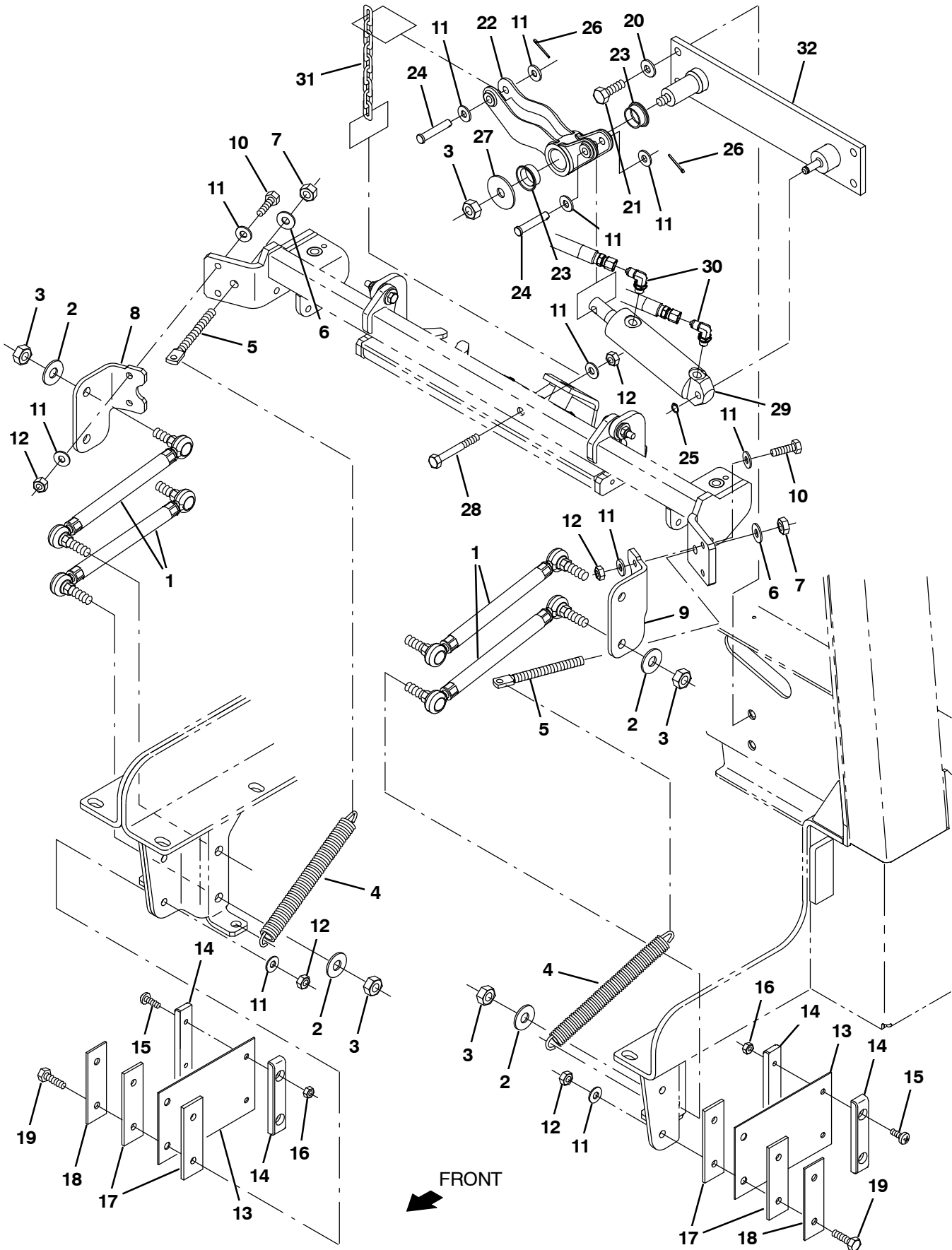


Fig. 34 – Squeegee Lift Group, Rear

Ref.	Part No.	Serial Number	Description	Qty.
1	1026007	(008000-) Link Assy, Rod-End, M12	4
2	41619	(008000-) Washer, Flat, 0.56b 1.38d .11, Ss	8
3	09741	(008000-) Nut, Hex, Lock, M12 X 1.75, NI, Ss	9
4	46785-1	(008000-) Spring, Extn, 0.88od X 0.14wir, 9.0l	2
5	386847	(008000-) Bolt, Eye, M10 X 1.50 X 064mm, 07.10 Eye	2
6	01686	(008000-) Washer, Flat, 0.44b 1.00d .08, Ss	2
7	08714	(008000-) Nut, Hex, Lock, M10 X 1.5, NI, Ss	2
8	1022372	(008000-) Angle, Rh	1
9	1022442	(008000-) Angle, Lh	1
10	09010	(008000-) Screw, Hex, M8 X 1.25 X 25, Ss	4
11	01685	(008000-) Washer, Flat, 0.31, Ss	15
12	08713	(008000-) Nut, Hex, Lock, M8 X 1.25, NI, Ss	9
13	71204	(008000-) Spring, Flt, 0.08th, 4.50w X 07.0l	2
14	1024648	(008000-) Block, Centering	4
15	367770	(008000-) Screw, Pan, M6 X 1.0 X 16, Ss	4
16	08712	(008000-) Nut, Hex, Lock, M6 X 1.0, Ss, NI	4
17	1024641	(008000-) Spacer, Pad, Rbr	4
18	1024703	(008000-) Retainer, Spring	2
19	09023	(008000-) Screw, Hex, M8 X 1.25 X 35, Ss, Fl	4
20	41187	(008000-) Washer, Flat, Belleville, .38	4
21	12317	(008000-) Screw, Hex, M10 X 1.5 X 30, Ss	4
22	1025680	(008000-) Bellcrank, Lift, Sqge	1
23	367313	(008000-) Bushing, Flng, 1.00b 1.13d 0.50l	2
24	29584	(008000-) Pin, Clevis, 0.37d X 2.00l	2
25	23524-1	(008000-) Ring, Retaining, Ext, 0.38d, [Selflock]	1
26	08179	(008000-) Pin, Cotter, .094 X 1.00	2
27	04414	(008000-) Washer, Flat, 0.53b 1.88d .12, Stl, Pl	1
28	06957	(008000-) Screw, Hex, M8 X 1.25 X 60, 8.8	1
29	1038137	(008000-) Cylinder, Hyd, 1.5b 07.8l 02.80strk 2500	1
30	77097	(008000-) Fitting, Hyd, E90, Jm04/Om04	2
31	1023779	(008000-) Chain, Str, 4/0, 08 Link	1
32	1021609	(008000-) Plate Wldt, Lift, Sqge	1

Fig. 35 – Squeegee Group, Rear

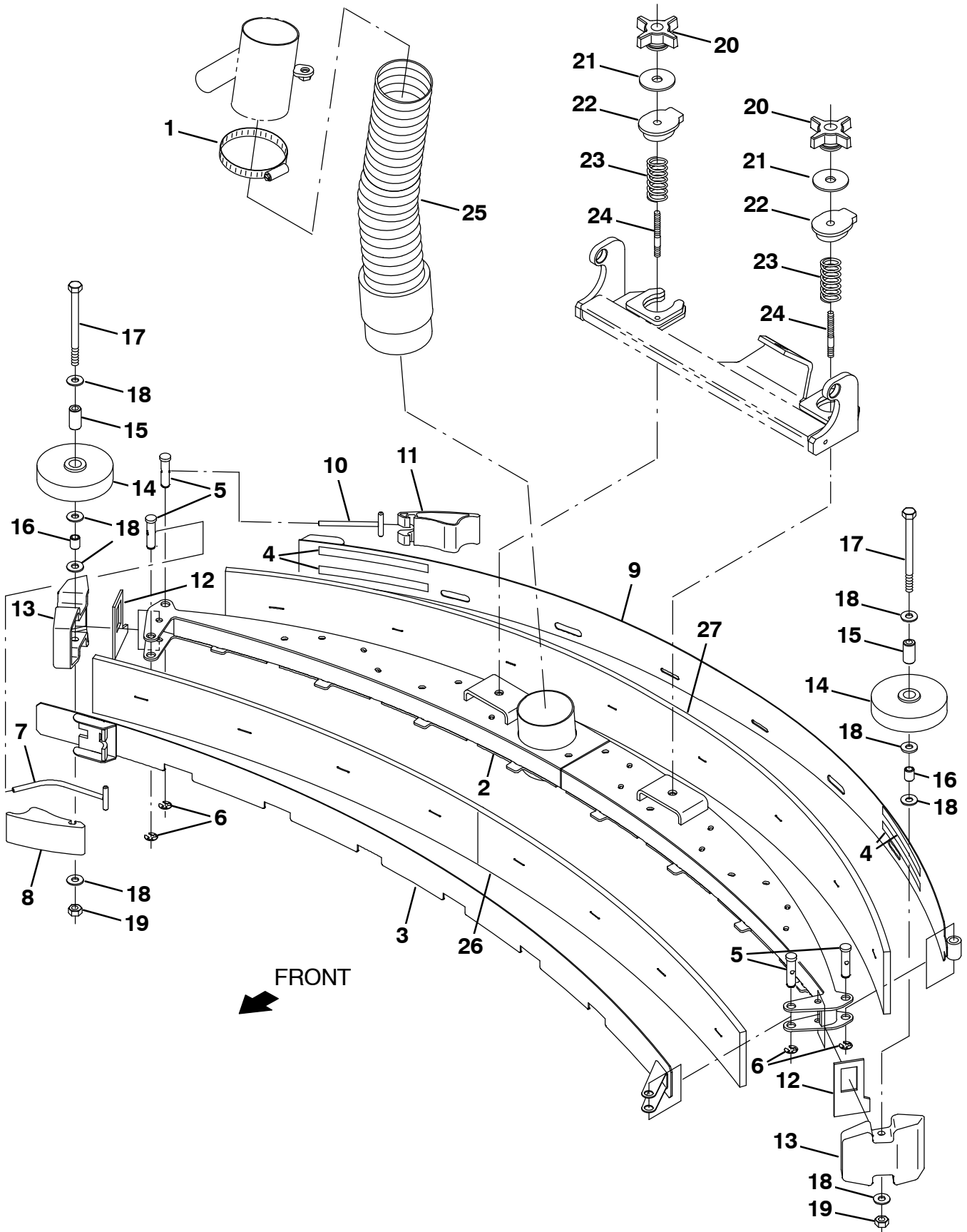


Fig. 35 - Squeegee Group, Rear

Ref.	Part No.	Serial Number	Description	Qty.
	1	43555	(008000-) Clamp, Hose, Wormdrive, 2.50-3.50d, .50w	1
▽	9004493	(008000-)	Squeegee Kit, Rear, Replmt [M20/T20]	1
▲	2	1022831	(008000-) Squeegee Wldt, Rear	1
▲	3	1023239	(008000-) Clamp Wldt, Front	1
▲	4	03495	(008000-) Strip, Non-Slip, 0.50w 06.0l	4
▲	5	21603	(008000-) Pin, Grvd, 0.43d 01.8l [303ss]	4
▲	6	24555	(008000-) Ring, Retaining, Ext, 0.38d, [E-Ring]	4
▲	7	386298	(008000-) Pin Wldt, Front	1
▲	8	1222020	(008000-) Cam, Front, Yellow	1
▲	9	1028374	(008000-) Clamp Wldt, Rear	1
▲	10	21606	(008000-) Bar Wldt, Retainer, Sqge, Rear	1
▲	11	1208906	(008000-) Cam, Rear, Yellow	1
▲	12	83874	(008000-) Gasket, Sqge	2
▲	13	386264	(008000-) Bumper, Sqge	2
▲	14	363162	(008000-) Wheel, 4.0d 0.89w 0.64b	2
▲	15	363301	(008000-) Sleeve, P/M, 0.34b 0.63d 1.2l, Bnz	2
▲	16	80395	(008000-) Sleeve, P/M, 0.31b 0.50d 0.7l [430ss]	2
▲	17	364441	(008000-) Screw, Hex, M8 X 1.25 X 110, Ss	2
▲	18	01685	(008000-) Washer, Flat, 0.31, Ss	8
▲	19	08713	(008000-) Nut, Hex, Lock, M8 X 1.25, NI, Ss	2
	20	1218322	(008000-) Knob, Star, 2.75d 4ear, M8x1.25 Fem	2
	21	04414	(008000-) Washer, Flat, 0.53b 1.88d .12, Stl, Pl	2
	22	387433	(008000-) Ring, Mtg, Sqge, .50l	2
	23	387500	(008000-) Spring, Cmpr, 0.9od .042wir 02.0l	2
	24	1226700	(008000-) Stud, M8 X 1.25, 2.75l M8 X 1.25, Ss	2
	25	1021511	(008000-010516) Hose, Vacuum, 3.00id X 019.0l, 1cuff	1
	25	1234534	(010517-) Hose, Vacuum, 3.00id X 019.0l, 1cuff	1
	26	1017868	(008000-) Blade, Sqge, Front, 49.58l [Linard]	1
	26	1027719	(008000-) Blade, Sqge, Front, 49.58l Ure (Option)	1
	27	1031331	(008000-) Blade, Sqge, Rear, Linatex	1
	27	1031945	(008000-) Blade, Sqge, Rear, 53.78l Ure (Option)	1

Fig. 36 - Squeegee Linkage Group, Rear

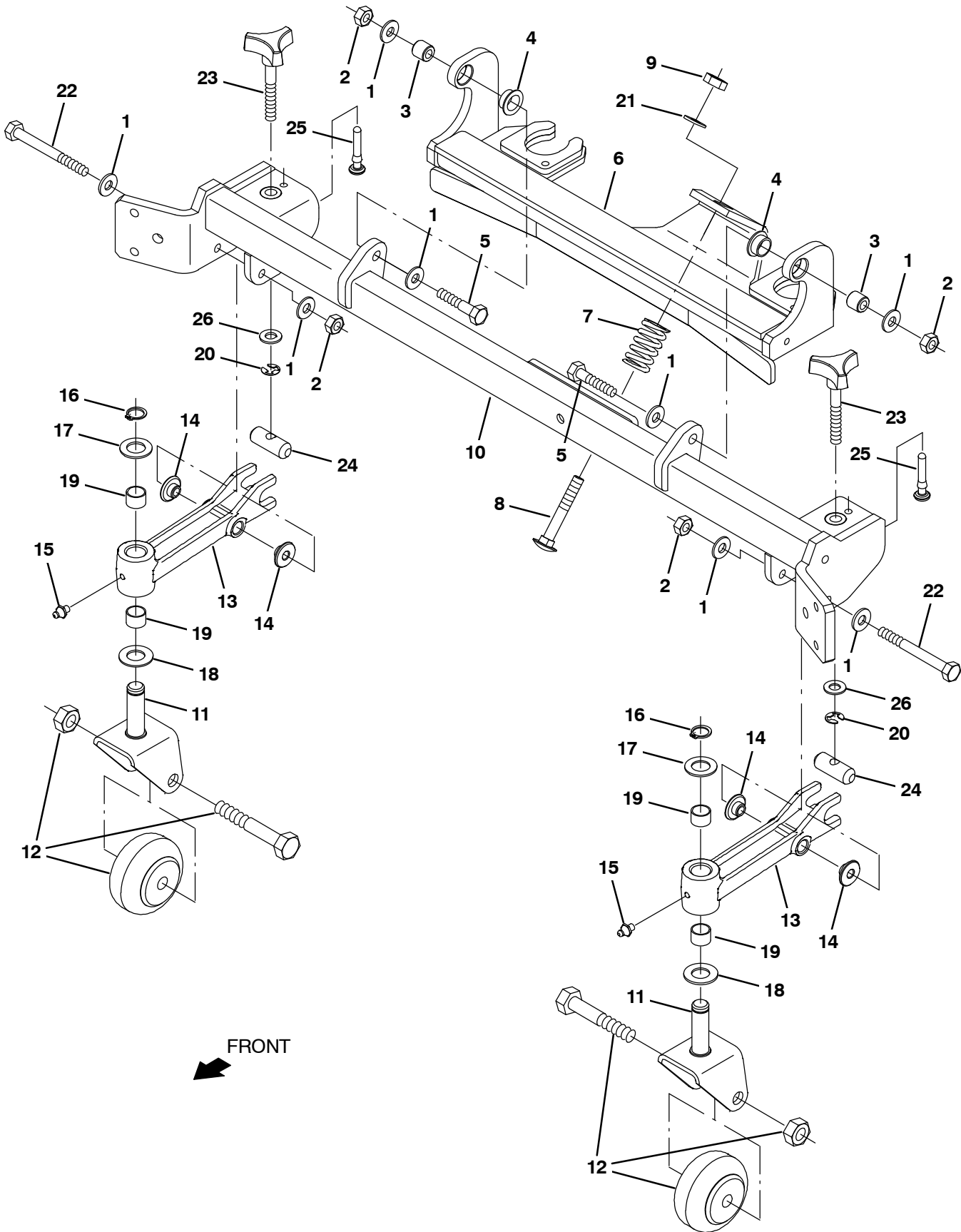


Fig. 36 - Squeegee Linkage Group, Rear

Ref.	Part No.	Serial Number	Description	Qty.
1	01685	(008000-) Washer, Flat, 0.31, Ss	8
2	08713	(008000-) Nut, Hex, Lock, M8 X 1.25, NI, Ss	4
3	80409	(008000-) Sleeve, P/M, 0.34b 0.63d 0.6l, Bnz	2
4	25735	(008000-) Bushing, Flng, 0.63b 0.75d 0.38l	2
5	222505	(008000-) Screw, Hex, M8 X 1.25 X 45, Ss	2
6	1023476	(008000-) Bracket Wldt, Mtg, Sqge	1
7	65180	(008000-) Spring, Dsl, 1.00od 0.50id 1.7l	1
8	1025601	(008000-) Bolt, Carriage, M10 X 1.5 X 70	1
9	08714	(008000-) Nut, Hex, Lock, M10 X 1.5, NI, Ss	1
10	1034149	(008000-) Crossmember Wldt [M20]	1
▽	9017944	(008000-) Caster Assy, F/ Sqge, Replmt[M20/T20]	2
▲	11 1021404	(008000-) Bracket Wldt, Mtg, Caster	1
▲	12 9014285	(008000-) Caster Kit, Rear Squeegee, Am	1
▲	13 1025460	(008000-) Caster, Pivot	1
▲	14 80950	(008000-) Bushing, Flng, 0.32b 0.50d 0.24l, Bnz	2
▲	15 07259	(008000-) Fitting, Grease, Str Pm04 .47l	1
▲	16 33373	(008000-) Ring, Retaining, Ext, 0.62d, Hd	1
▲	17 63468	(008000-) Washer, Flat, 0.69b 1.19d .06, Stl, Pl	1
▲	18 64425	(008000-) Washer, Thrust, 0.61b 1.25d .06, Fgl	1
▲	19 07449	(008000-) Bushing, Sleeve, 0.62b 0.72d 0.50l, Fgl	2
20	24555	(008000-) Ring, Retaining, Ext, 0.38d, [E-Ring]	2
21	1014563	(008000-) Washer, Flat, 0.40b 1.12d .12, Ss	1
22	39281	(008000-) Screw, Hex, M8 X 1.25 X 90, 8.8	2
23	1222043	(008000-) Knob Assy, Star, 1.12d 3ear M10, Yellow	2
24	1021497	(008000-) Pin, 0.63d 01.8l, 1/M10h, 2cham	2
25	1035727	(002050-) Stop, Rotation	2
26	32485	(008000-) Washer, Flat, 0.38 Sae	2

Fig. 37 - Squeegee Group, Right Side

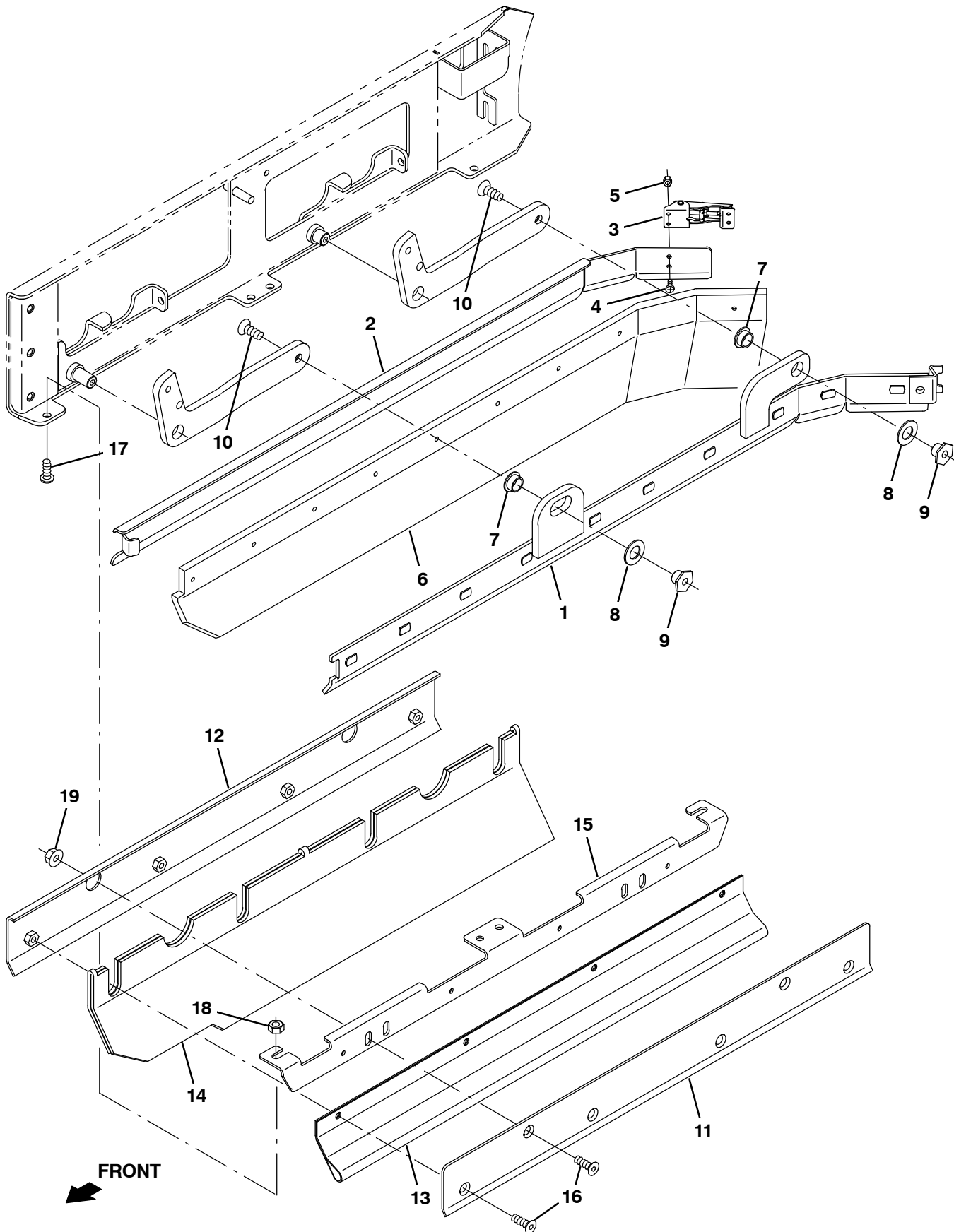


Fig. 37 - Squeegee Group, Right Side

Ref.	Part No.	Serial Number	Description	Qty.
1	1029132	(008000-) Frame Wldt, Sqge, Rh	1
2	1029128	(008000-) Retainer, Sqge, Side, Rh	1
3	1222018	(008000-) Latch, Door, Yellow	1
4	49697	(008000-) Screw, Pan, M4 X 0.7 X 10, Ss	2
5	33932	(008000-) Nut, Hex, Lock, M4 X 0.7, NI, Ss	2
6	1031011	(008000-) Blade, Sqge, .38 3.55w 038.3l, Linatex	1
6	1031823	(008000-) Blade, Sqge, .38 3.55w 038.3l, Ure (Option)	1
7	25735	(008000-) Bushing, Flng, 0.63b 0.75d 0.38l	2
8	64425	(008000-) Washer, Thrust, 0.61b 1.25d .06, Fgl	2
9	1022846	(008000-) Nut, T, M10 X 1.50 X 15.8od X 13.0l	2
10	09081	(008000-) Screw, Flt, M10 X 1.5 X 25, 10.9	2
11	1024584	(008000-) Bracket, Mtg, Skirt, Brush Door	1
12	1024651	(008000-) Bracket, Mtg, Skirt, Door	1
13	1024586	(008000-) Skirt, Neo, .06, 06.85w 27.95l, 08 Hole	1
14	1019295	(008000-) Skirt, Neo, .18, 10.37w 27.95l, 12 H&S	1
15	1025151	(008000-) Bracket, Mtg, Skirt, Door, Brush	1
16	222463	(008000-) Screw, Flt, M8 X 1.25 X 20, Blk	6
17	393135	(008000-) Screw, Btn, M8 X 1.25 X 20, Blk	4
18	08713	(008000-) Nut, Hex, Lock, M8 X 1.25, NI, Ss	4
19	07791	(008000-) Nut, Hex, Flng, M8 X 1.25	2

Fig. 38 – Squeegee Lift Group, Right Side

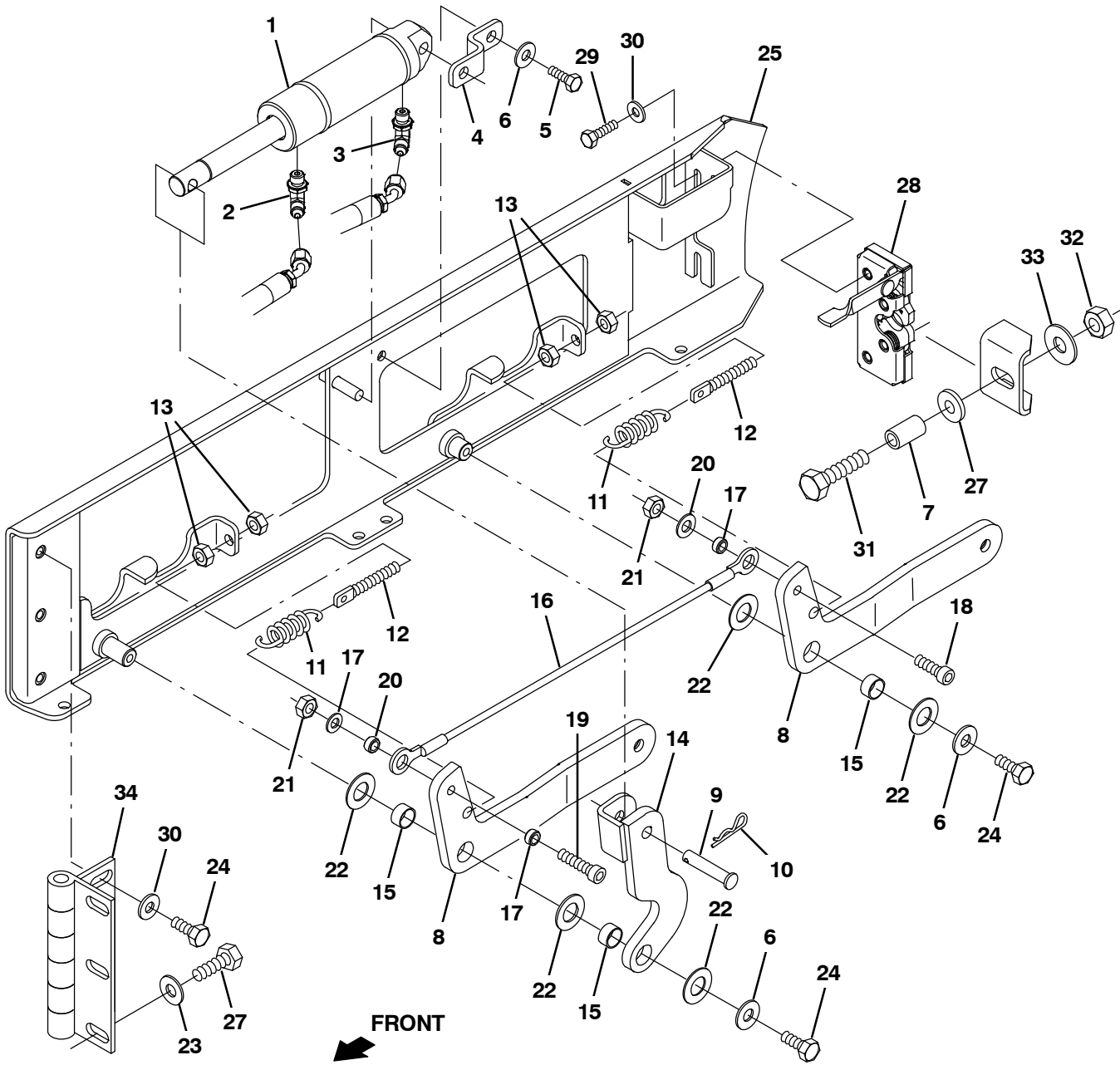


Fig. 38 – Squeegee Lift Group, Right Side

Ref.	Part No.	Serial Number	Description	Qty.
1	1038137	(008000–) Cylinder, Hyd, 1.5b 07.8l 02.80strk 2500	1
2	77097	(008000–) Fitting, Hyd, E90, Jm04/Om04	1
3	1028635	(008000–) Fitting, Hyd, Rst, Spcl	1
4	1022825	(008000–) Bracket, Mtg, Cyl	1
5	08716	(008000–) Screw, Hex, M6 X 1.00 X 20, Ss	1
6	01685	(008000–) Washer, Flat, 0.31, Ss	3
7	1039348	(008000–) Sleeve, 0.49b 0.68d 1.2l [304ss]	1
8	1020548	(008000–) Arm, Sqge, Side, Rh	2
9	17461	(008000–) Pin, Clevis, 0.37D X 1.75L	1
10	08182	(008000–) Pin, Cotter, .125 X 1.00	1
11	87816	(008000–) Spring, Extn, 0.75od X 0.09wir, 2.5l	2
12	386088	(008000–) Bolt, Eye, M08 X 1.25 X 070mm, 05.50 Eye	2
13	07786	(008000–) Nut, Hex, Std, M8 X 1.25, Ss	4
14	1023306	(008000–) Arm Wldt, Sqge, Lift, Rh	1
15	71607	(008000–) Bushing, Sleeve, 0.63b 0.72d 0.38l	3
16	81784	(008000–) Cable, Glv .13d 015.8l .50eye /.50eye	1
17	360801	(008000–) Sleeve, 0.31b 0.50d 0.3l, Ss	3
18	39308	(008000–) Screw, Soc, M8 X 1.25 X 25, 12.9	1
19	41445	(008000–) Screw, Soc, M8 X 1.25 X 35, 12.9	1
20	39349	(008000–) Washer, Flat, 0.31 Sae	2
21	08709	(008000–) Nut, Hex, Lock, M8 X 1.25, NI	2
22	64425	(008000–) Washer, Thrust, 0.61b 1.25d .06, Fgl	5
23	41187	(008000–) Washer, Flat, Belleville, .38	3
24	09740	(008000–) Screw, Hex, M8 X 1.25 X 20, Ss	5
25	1019031	(008000–) Door Wldt, Brush, Rh	1
26	09028	(008000–) Screw, Hex, M10 X 1.5 X 25, Ss	3
27	36328	(008000–) Washer, Flat, Belleville, .50	1
28	1222036	(008000–) Latch, Hook, Yellow	1
29	09007	(008000–) Screw, Hex, M6 X 1.0 X 25, Ss	2
30	41185	(008000–) Washer, Flat, Belleville, .25	5
31	379870	(008000–) Screw, Hex, M12 X 1.75 X 55, Ss	1
32	07788	(008000–) Nut, Hex, Std, M12 X 1.75, Ss	1
33	41619	(008000–) Washer, Flat, 0.56b 1.38d .11, Ss	1
34	1024576	(008000–) Hinge, .50pin .19 4.0w 06.0l 3/0.44sl	1

Fig. 39 – Squeegee Group, Left Side

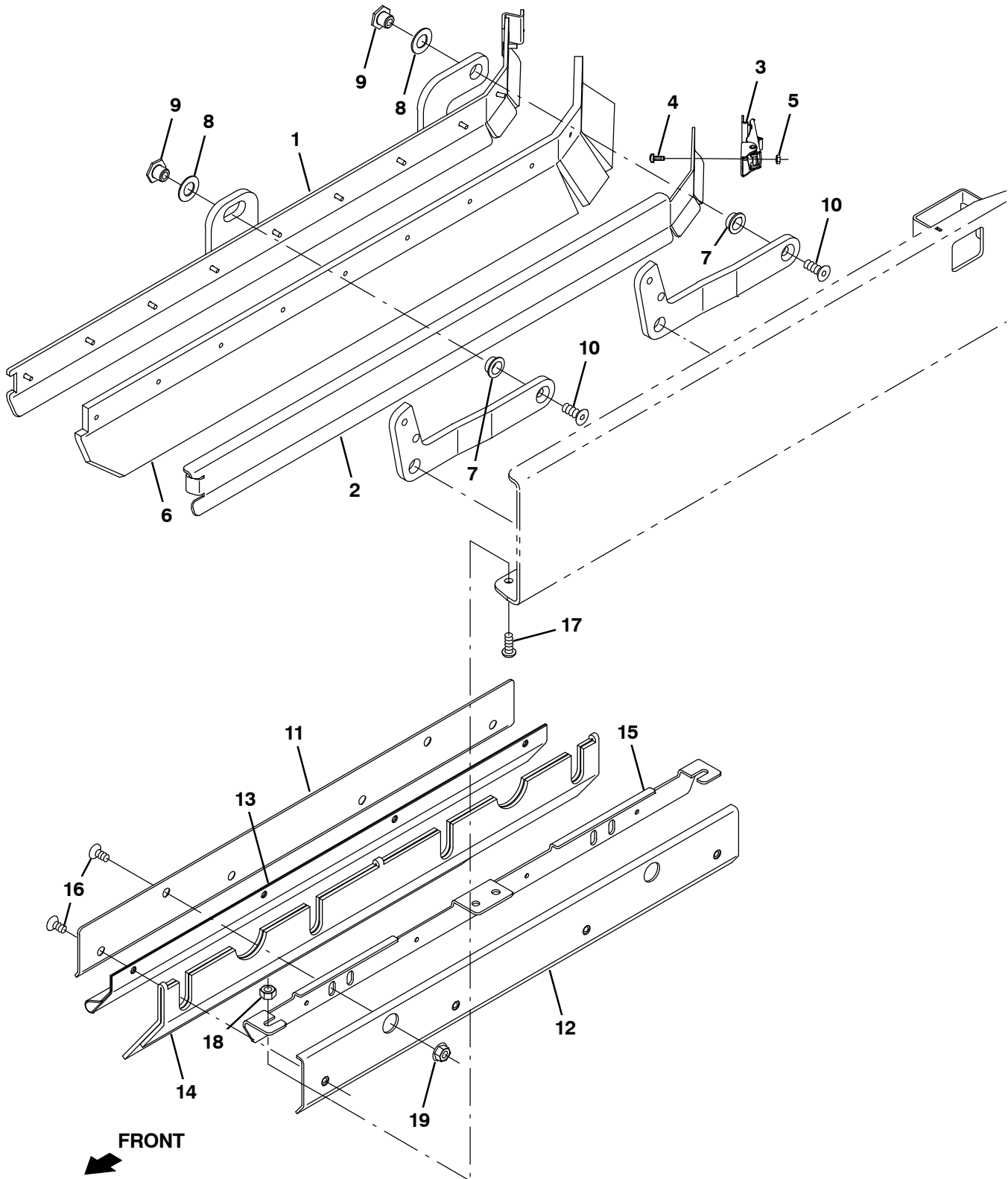


Fig. 39 - Squeegee Group, Left Side

Ref.	Part No.	Serial Number	Description	Qty.
1	1028972	(008000-) Frame Wldt, Sqge, Lh	1
2	1028979	(008000-) Retainer, Sqge, Side, Lh	1
3	1222018	(008000-) Latch, Door, Yellow	1
4	49697	(008000-) Screw, Pan, M4 X 0.7 X 10, Ss	2
5	33932	(008000-) Nut, Hex, Lock, M4 X 0.7, NI, Ss	2
6	1031011	(008000-) Blade, Sqge, .38 3.55w 038.3l, Linatex	1
6	1031823	(008000-) Blade, Sqge, .38 3.55w 038.3l, Ure (Option)	1
7	25735	(008000-) Bushing, Flng, 0.63b 0.75d 0.38l	2
8	64425	(008000-) Washer, Thrust, 0.61b 1.25d .06, Fgl	2
9	1022846	(008000-) Nut, T, M10 X 1.50 X 15.8od X 13.0l	2
10	09081	(008000-) Screw, Flt, M10 X 1.5 X 25, 10.9	2
11	1024584	(008000-) Bracket, Mtg, Skirt, Brush Door	1
12	1024651	(008000-) Bracket, Mtg, Skirt, Door	1
13	1024586	(008000-) Skirt, Neo, .06, 06.85w 27.95l, 08 Hole	1
14	1019295	(008000-) Skirt, Neo, .18, 10.37w 27.95l, 12 H&S	1
15	1025151	(008000-) Bracket, Mtg, Skirt, Door, Brush	1
16	222463	(008000-) Screw, Flt, M8 X 1.25 X 20, Blk	6
17	393135	(008000-) Screw, Btn, M8 X 1.25 X 20, Blk	4
18	08713	(008000-) Nut, Hex, Lock, M8 X 1.25, NI, Ss	4
19	07791	(008000-) Nut, Hex, Flng, M8 X 1.25	2

Fig. 40 - Squeegee Lift Group, Left Side

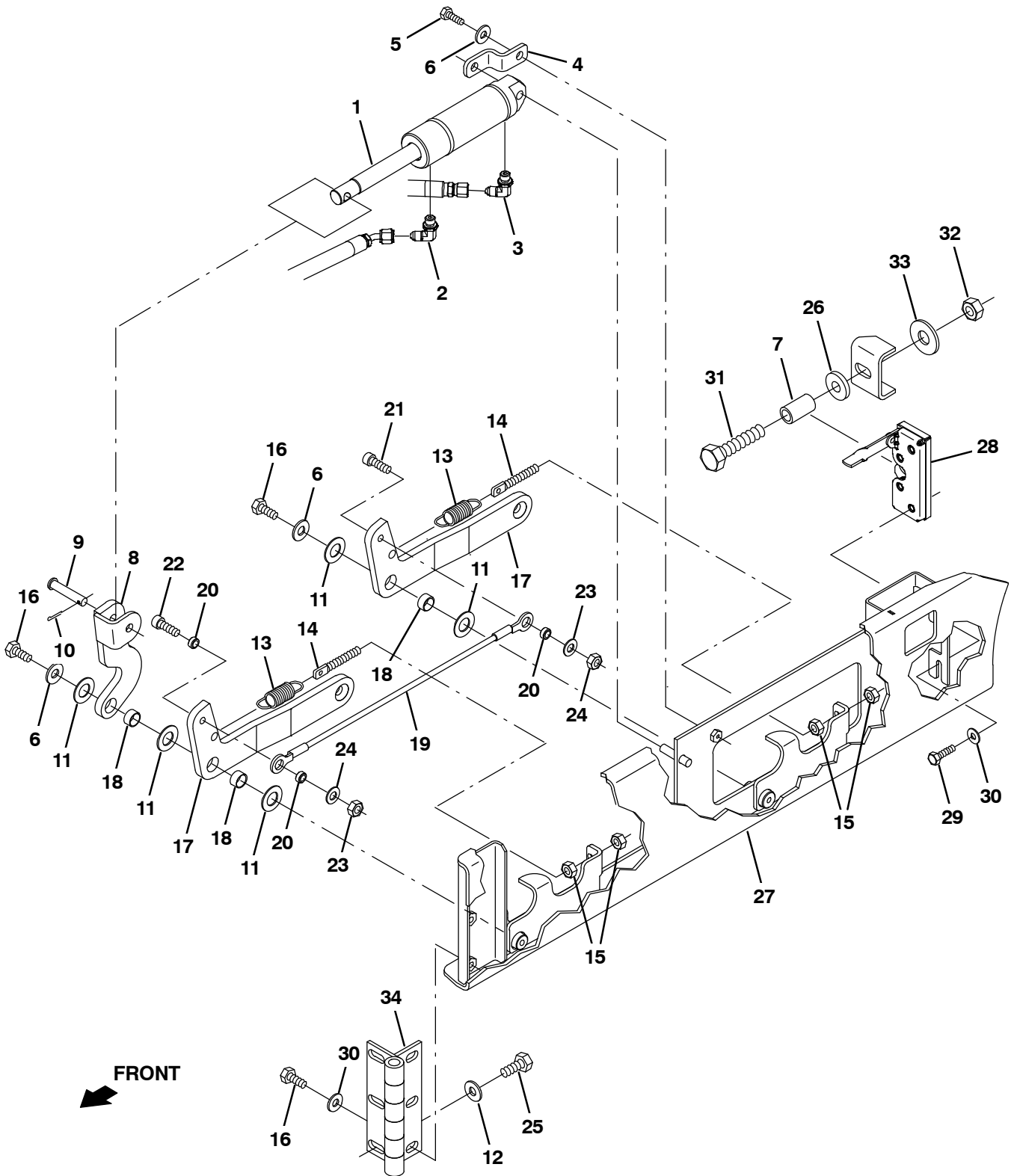


Fig. 40 – Squeegee Lift Group, Left Side

Ref.	Part No.	Serial Number	Description	Qty.
1	1038137	(008000–) Cylinder, Hyd, 1.5b 07.8l 02.80strk 2500	1
2	77097	(008000–) Fitting, Hyd, E90, Jm04/Om04	1
3	1028635	(008000–) Fitting, Hyd, Rst, Spcl	1
4	1022825	(008000–) Bracket, Mtg, Cyl	1
5	08716	(008000–) Screw, Hex, M6 X 1.00 X 20, Ss	1
6	01685	(008000–) Washer, Flat, 0.31, Ss	3
7	1039348	(008000–) Sleeve, 0.49b 0.68d 1.2l [304ss]	1
8	1022978	(008000–) Arm Wldt, Lift, Sqge, Lh	1
9	17461	(008000–) Pin, Clevis, 0.37D X 1.75L	1
10	08182	(008000–) Pin, Cotter, .125 X 1.00	1
11	64425	(008000–) Washer, Thrust, 0.61b 1.25d .06, Fgl	5
12	41187	(008000–) Washer, Flat, Belleville, .38	3
13	87816	(008000–) Spring, Extn, 0.75od X 0.09wir, 2.5l	2
14	386088	(008000–) Bolt, Eye, M08 X 1.25 X 070mm, 05.50 Eye	2
15	07786	(008000–) Nut, Hex, Std, M8 X 1.25, Ss	4
16	09740	(008000–) Screw, Hex, M8 X 1.25 X 20, Ss	5
17	1023307	(008000–) Arm, Sqge, Side, Lh	2
18	71607	(008000–) Bushing, Sleeve, 0.63b 0.72d 0.38l	3
19	81784	(008000–) Cable, Glv .13d 015.8l .50eye /.50eye	1
20	360801	(008000–) Sleeve, 0.31b 0.50d 0.3l, Ss	3
21	39308	(008000–) Screw, Soc, M8 X 1.25 X 25, 12.9	1
22	41445	(008000–) Screw, Soc, M8 X 1.25 X 35, 12.9	1
23	39349	(008000–) Washer, Flat, 0.31 Sae	2
24	08709	(008000–) Nut, Hex, Lock, M8 X 1.25, NI	2
25	09028	(008000–) Screw, Hex, M10 X 1.5 X 25, Ss	3
26	36328	(008000–) Washer, Flat, Belleville, .50	1
27	1023314	(008000–) Door Wldt, Brush, Lh	1
28	1222038	(008000–) Latch, Hook, Yellow	1
29	09007	(008000–) Screw, Hex, M6 X 1.0 X 25, Ss	2
30	41185	(008000–) Washer, Flat, Belleville, .25	5
31	379870	(008000–) Screw, Hex, M12 X 1.75 X 55, Ss	1
32	07788	(008000–) Nut, Hex, Std, M12 X 1.75, Ss	1
33	41619	(008000–) Washer, Flat, 0.56b 1.38d .11, Ss	1
34	1024576	(008000–) Hinge, .50pin .19 4.0w 06.0l 3/0.44sl	1

Fig. 41 – Solution Tank Group

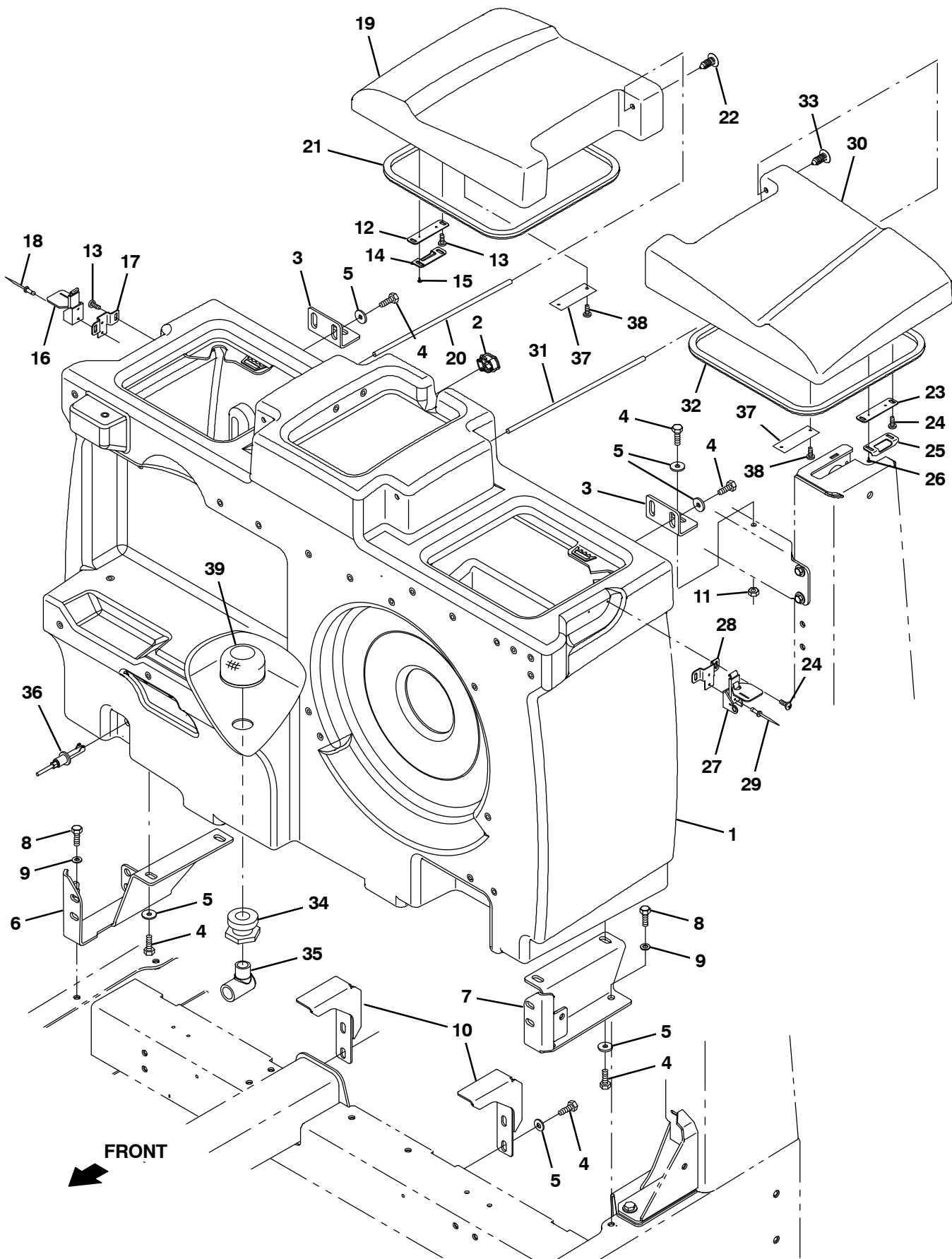


Fig. 41 - Solution Tank Group

Ref.	Part No.	Serial Number	Description	Qty.
1	1027381	(008000-) Tank, Soltn, W/ Label [M20]	1
2	390994	(008000-) Plug, Hole, Soltn Tank, Blk Pyu	1
3	1020209	(008000-) Angle, Sppt, Tank, Rear	2
4	09740	(008000-) Screw, Hex, M8 X 1.25 X 20, Ss	12
5	1017218	(008000-) Washer, Flat, 0.32b 1.00d .12, Ss	12
6	1040306	(008000-) Bracket Wldt, Tank, Soltn, Rh	1
7	1024591	(008000-) Bracket, Tank, Soltn, Lh	1
8	09010	(008000-) Screw, Hex, M8 X 1.25 X 25, Ss	4
9	39349	(008000-) Washer, Flat, 0.31 Sae	4
10	1024389	(008000-) Bracket, Soltn, Tank, Cntr	2
11	08713	(008000-) Nut, Hex, Lock, M8 X 1.25, NI, Ss	2
▽	9003069	(008000-) Cover Kit, Soltn Tank, Rh [M20 & T20]	1
▲▽	9005165	(008000-) Latch Kit, Cover, Soltn, Replmt[M20/T20]	1
▲▲	12 1039757	(008000-) Plate, Mtg, Latch	1
▲▲	13 382320	(008000-) Screw, Pan, Phl, 12-16 X 0.50, F/ Plstc	4
▲▲	14 1048474	(008000-) Catch, Latch, Tank Cover	1
▲▲	15 222267	(008000-) Screw, Pan, Phl, 06-20 X 0.50, Fmg/Ab	2
▲▲	16 367949	(008000-) Latch	1
▲▲	17 1048512	(008000-) Bracket, Mtg, Latch, Tank Cover	1
▲▲	18 08875	(008000-) Rivet, Blind, .125d X 0.54 X .25d, Alm	2
▲	19 1022176	(008000-) Cover, Tank, Soltn, Rh, Trimmed	1
▲	20 1047098	(008000-) Bar, Rnd, Plstc, 0.31d 12.5l	1
▲	21 1038805	(008000-) Seal, Bulb, Str, .50Hi .50W 047.2L, Adh	1
▲	22 1068277	(008000-) Plug, Hole, Rnd, 0.38 H 1.0l, Brb, Nyl	1
▽	9003071	(008000-) Cover Kit, Tank, Soltn, Rh, Replmt, Ce (Japan and Europe Only)	1
▲▽	9005165	(008000-) Latch Kit, Cover, Soltn, Replmt[M20/T20]	1
▲▲	12 1039757	(008000-) Plate, Mtg, Latch	1
▲▲	13 382320	(008000-) Screw, Pan, Phl, 12-16 X 0.50, F/ Plstc	4
▲▲	14 1048474	(008000-) Catch, Latch, Tank Cover	1
▲▲	15 222267	(008000-) Screw, Pan, Phl, 06-20 X 0.50, Fmg/Ab	2
▲▲	16 367949	(008000-) Latch	1
▲▲	17 1048512	(008000-) Bracket, Mtg, Latch, Tank Cover	1
▲▲	18 08875	(008000-) Rivet, Blind, .125d X 0.54 X .25d, Alm	2
▲	19 1031233	(008000-) Cover, Tank, Soltn, Rh, Trimmed, Ce (Japan and Europe Only)	1
▲	20 1047098	(008000-) Bar, Rnd, Plstc, 0.31d 12.5l	1
▲	21 1038805	(008000-) Seal, Bulb, Str, .50Hi .50W 047.2L, Adh	1
▲	22 1068277	(008000-) Plug, Hole, Rnd, 0.38 H 1.0l, Brb, Nyl	1

(CONTINUED)

STANDARD PARTS

Fig. 41 – Solution Tank Group

Ref.	Part No.	Serial Number	Description	Qty.
▽	9003068	(008000–) Cover Kit, Tank, Soltn, Lh, Replmt	1
▲▽	9005165	(008000–) Latch Kit, Cover, Soltn, Replmt[M20/T20]	1
▲▲	23 1039757	(008000–) Plate, Mtg, Latch	1
▲▲	24 382320	(008000–) Screw, Pan, Phl, 12–16 X 0.50, F/ Plstc	4
▲▲	25 1048474	(008000–) Catch, Latch, Tank Cover	1
▲▲	26 222267	(008000–) Screw, Pan, Phl, 06–20 X 0.50, Fmg/Ab	2
▲▲	27 367949	(008000–) Latch	1
▲▲	28 1048512	(008000–) Bracket, Mtg, Latch, Tank Cover	1
▲▲	29 08875	(008000–) Rivet, Blind, .125d X 0.54 X .25d, Alm	2
▲	30 1022182	(008000–) Cover, Tank, Soltn, Lh, Trimmed	1
▲	31 1047098	(008000–) Bar, Rnd, Plstc, 0.31d 12.5l	1
▲	32 1038805	(008000–) Seal, Bulb, Str, .50Hi .50W 047.2L, Adh	1
▲	33 1068277	(008000–) Plug, Hole, Rnd, 0.38 H 1.0l, Brb, Nyl	1
▽	9003070	(008000–) Cover Kit, Tank, Soltn, Lh, Replmt, Ce (Japan and Europe Only)	1
▲▽	9005165	(008000–) Latch Kit, Cover, Soltn, Replmt[M20/T20]	1
▲▲	23 1039757	(008000–) Plate, Mtg, Latch	1
▲▲	24 382320	(008000–) Screw, Pan, Phl, 12–16 X 0.50, F/ Plstc	4
▲▲	25 1048474	(008000–) Catch, Latch, Tank Cover	1
▲▲	26 222267	(008000–) Screw, Pan, Phl, 06–20 X 0.50, Fmg/Ab	2
▲▲	27 367949	(008000–) Latch	1
▲▲	28 1048512	(008000–) Bracket, Mtg, Latch, Tank Cover	1
▲▲	29 08875	(008000–) Rivet, Blind, .125d X 0.54 X .25d, Alm	2
▲	30 1031235	(008000–) Cover, Tank, Soltn, Lh, Trimmed, Ce (Japan and Europe Only)	1
▲	31 1047098	(008000–) Bar, Rnd, Plstc, 0.31d 12.5l	1
▲	32 1038805	(008000–) Seal, Bulb, Str, .50Hi .50W 047.2L, Adh	1
▲	33 1068277	(008000–) Plug, Hole, Rnd, 0.38 H 1.0l, Brb, Nyl	1
	34 377349	(008000–) Fitting, Plstc, Pf12/Pf12, Bh	1
	35 69785	(008000–) Fitting, Plstc, E90, Pf12/Pm12	1
	36 385685	(008000–) Sensor, Level, Liq, 14vdc 01a .62–11	1
	37 1017101	(008000–) Plate, Label, Soltn Tank (ec–H20 only)	2
	38 360973	(008000–) Screw, Pan, 12–16 X 0.50, F/ Plstc (ec–H20 only)	4
	39 1027290	(008000–) Filter, Soltn, 20mesh, Pm12 3.1d 02.6l	1

Fig. 42 – Solution Tank Drain Group

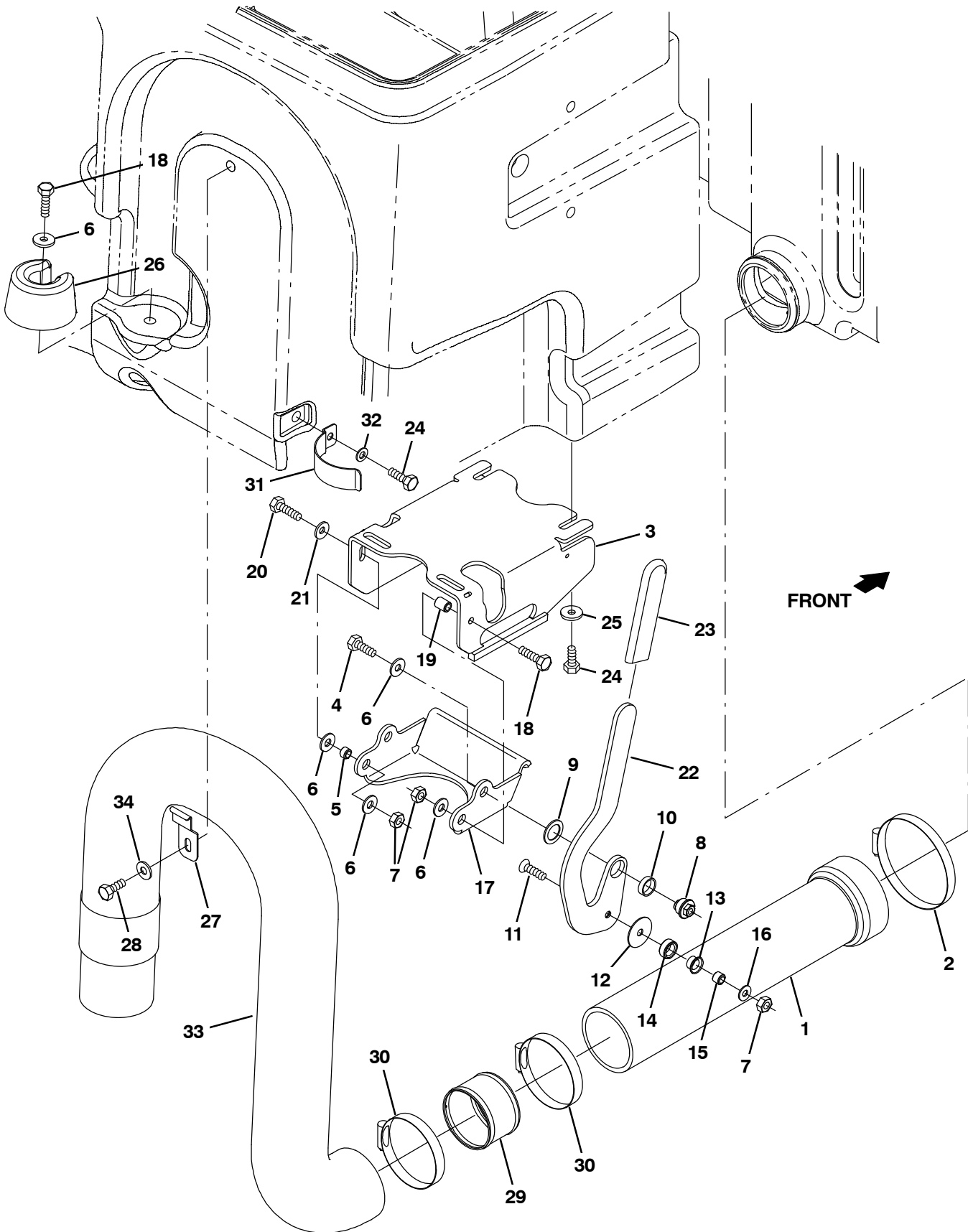


Fig. 42 – Solution Tank Drain Group

Ref.	Part No.	Serial Number	Description	Qty.
1	9003793	(008000–) Tube Kit, Tank, Soltn, Replmt	1
2	23498	(008000–) Clamp, Hose, Wormdrive, 3.56–4.50d, .50w	1
3	1042003	(008000–) Mount Wldt, Valve, Pinch, Rh	1
4	39277	(008000–) Screw, Hex, M8 X 1.25 X 25, 8.8	1
5	222516	(008000–) Sleeve, P/M, 0.31b 0.50d 0.3l [430ss]	1
6	32491	(008000–) Washer, Flat, 0.31, Std	5
7	08713	(008000–) Nut, Hex, Lock, M8 X 1.25, NI, Ss	3
8	1024599	(008000–) Bushing, Eccentric, Adj	1
9	1026051	(008000–) Washer, Flat, 0.79b 1.18d .06, Nyl	1
10	74090	(008000–) Bushing, Sleeve, 0.75b 0.88d 0.25l	1
11	79506	(008000–) Screw, Flt, M8 X 1.25 X 30, Ss	1
12	1028701	(008000–) Washer, Thrust, 0.34b 1.50d .06	1
13	15648	(008000–) Bushing, Flng, 0.50b 0.59d 0.38l	1
14	1028691	(008000–) Roller, Brg	1
15	1028690	(008000–) Tube, 0.50d 0.32b 00.4l, Ss	1
16	1017218	(008000–) Washer, Flat, 0.32b 1.00d .12, Ss	1
17	1024535	(008000–) Arm, Pinch	1
18	06955	(008000–) Screw, Hex, M8 X 1.25 X 35, 8.8	2
19	80395	(008000–) Sleeve, P/M, 0.31b 0.50d 0.7l [430ss]	1
20	76570	(008000–) Screw, Hex, M8 X 1.25 X 30, 8.8	1
21	41186	(008000–) Washer, Flat, Belleville, .31	1
22	1026727	(008000–) Handle, Valve, Pinch, Rh	1
23	1023502	(008000–) Grip, Handle	1
24	09740	(008000–) Screw, Hex, M8 X 1.25 X 20, Ss	5
25	1017218	(008000–) Washer, Flat, 0.32b 1.00d .12, Ss	4
26	1022137	(008000–) Plug, Hose, Pyu	1
27	1025480	(008000–) Bracket, Retaining, Hose	1
28	15675	(008000–) Screw, Hex, M8 X 1.25 X 16, Ss	1
29	1041953	(008000–) Tube, 2.90id 3.00od 02.4l, Ss	2
30	43555	(008000–) Clamp, Hose, Wormdrive, 2.50–3.50d, .50w	2
31	1024558	(008000–) Strap, Retaining, Hose	1
32	39349	(008000–) Washer, Flat, 0.31 Sae	1
33	1019424	(008000–) Hose, Drain, 3.00id X 48.0l	1
34	01685	(008000–) Washer, Flat, 0.31, Ss	2

Fig. 43 – Solution Control Group

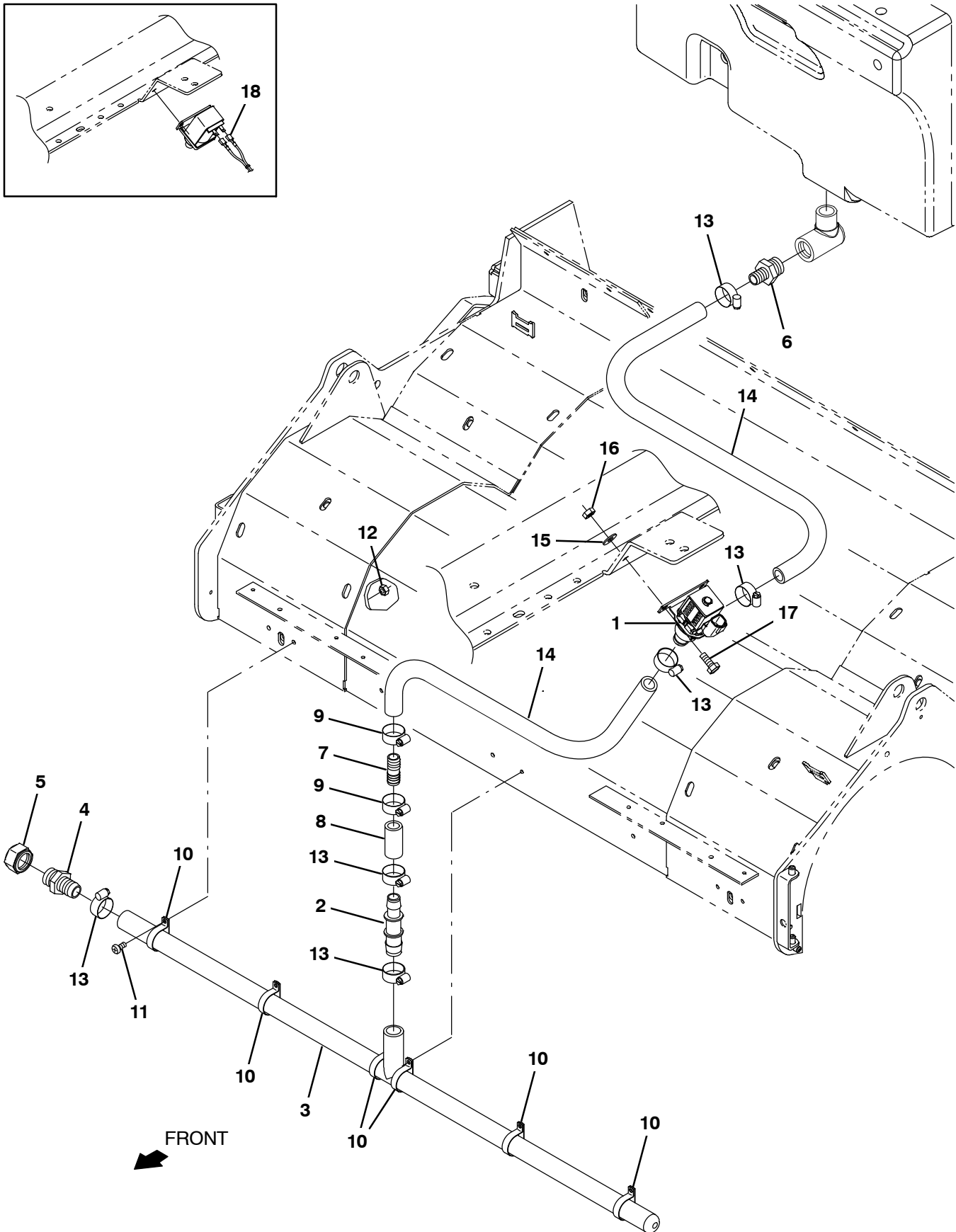


Fig. 43 – Solution Control Group

Ref.	Part No.	Serial Number	Description	Qty.
1	1076692	(008000–) Valve Assy, Water, Solenoid , 12vdc	1
2	363543	(008000–) Fitting, Plstc, Str, Bm10/Bm12	1
3	1036997	(008000–) Manifold, Bar, Spray, 37.5inch	1
4	79273–2	(008000–) Fitting, Plstc, Str, Bm12/Pm12	1
5	1039064	(008000–) Fitting, Plstc, Cap, Pf12 Hex	1
6	365095	(008000–) Fitting, Plstc, Str, Bm10/Pm12	1
7	365164	(008000–) Fitting, Plstc, Str, Bm10/Bm10	1
8	1015033	(008000–) Hose, Afmkt, Pvc, Brd, 0.62id, 01ft, Clr	1
9	63810	(008000–) Clamp, Hose, Wormdrive, 0.56–1.06d, .56w	2
10	50544	(008000–) Clamp, Cable, Ss, 1.12d X 0.38w, 1h	6
11	09200	(008000–) Screw, Pan, M5 X 0.8 X 12, Ss	6
12	09739	(008000–) Nut, Hex, Lock, M5 X 0.8, NI, Ss	6
13	63810	(008000–) Clamp, Hose, Wormdrive, 0.56–1.06d, .56w	8
14	1015032	(008000–) Hose, Afmkt, Pvc, Brd, 0.62id, 08ft, Clr	1
15	01684	(008000–) Washer, Flat, 0.25, Ss	2
16	08712	(008000–) Nut, Hex, Lock, M6 X 1.0, Ss, NI	2
17	08716	(008000–) Screw, Hex, M6 X 1.0 X 20, Ss	2
18	1075394	(008000–010490) Harness, Ele, Adaptor [2f, Dt To Faston]	1

Fig. 44 - Recovery Tank Group

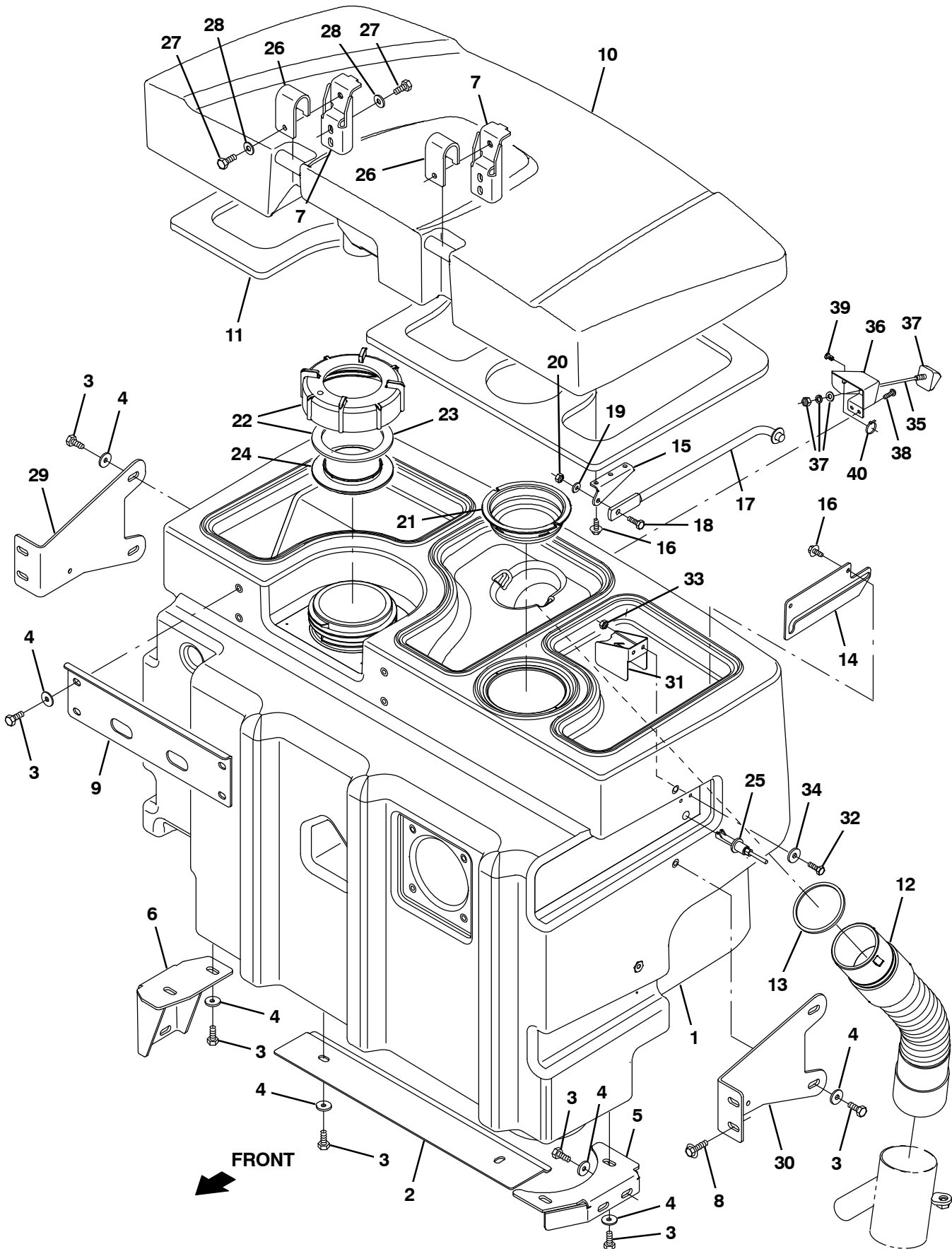


Fig. 44 – Recovery Tank Group

Ref.	Part No.	Serial Number	Description	Qty.
1	1021419	(008000–) Tank, Recvy, Trimmed	1
2	1024403	(008000–) Plate, Tank, Bottom	1
3	09740	(008000–) Screw, Hex, M8 X 1.25 X 20, Ss	17
4	1017218	(008000–) Washer, Flat, 0.32b 1.00d .12, Ss	15
5	1020335	(008000–) Bracket, Sppt, Tank, Lh	1
6	1020331	(008000–) Bracket, Sppt, Tank, Rh	1
7	1039072	(008000–) Bracket, Sppt, Cover, Tank, Recvy	2
8	1037346	(008000–) Screw, Hex, M8 X 1.25 X 25, 9.8, Sems	4
9	1021090	(008000–) Plate, Sppt, Tank	1
10	1022167	(008000–) Cover, Tank, Recvy, Trimmed	1
11	1021879	(008000–) Gasket, Cover, Recvy Tank	1
12	1031610	(008000–) Hose Assy, Sqge	1
13	1021920	(008000–) Gasket, 3.23id 3.63od .16th, Ure	1
14	1025620	(008000–) Plate, Mtg, Prop Rod	1
15	1025619	(008000–) Bracket, Mtg, Prop Rod	1
16	1046798	(008000–) Screw, Hex, .25–14 X 0.75, Fmg/Ab, Ss	4
17	54615	(008000–) Arm Wldt, Safety, Sppt, Seat, .38d 10.1l	1
18	08716	(008000–) Screw, Hex, M6 X 1.0 X 20, Ss	1
19	01684	(008000–) Washer, Flat, 0.25, Ss	1
20	08712	(008000–) Nut, Hex, Lock, M6 X 1.0, Ss, NI	1
21	1222035	(008000–) Screen, Vacuum, Yellow	1
▽	22	24358	(008000–) Cap Assy, Tank, Drain	1
▲	23	1031699	(008000–) Gasket, 4.05id 5.29od .19 [Buna]	1
	24	86636	(008000–) Cover, Tank	1
	25	385685	(008000–) Sensor, Level, Liq, 14vdc 01a .62–11	1
	26	1039049	(008000–) Bracket, Mtg, Cover, Recvy Tank	2
	27	16735	(008000–) Screw, Hex, M8 X 1.25 X 16, 8.8	6
	28	32491	(008000–) Washer, Flat, 0.31, Std	6
	29	1038941	(008000–) Bracket, Sppt, Tank, Rh	1
	30	1038927	(008000–) Bracket, Sppt, Tank, Lh	1
	31	1037816	(008000–) Bracket, Protector, Float Switch	1
	32	09007	(008000–) Screw, Hex, M6 X 1.00 X 25, Ss	2
	33	08712	(008000–) Nut, Hex, Lock, M6 X 1.00, Ss, NI	2
	34	76426	(008000–) Washer, Sealing, 0.28b 0.75d Ss, Neo	2
	35	1224979	(008000–) Cable, Camera, 236.2l [Hvs] (PRO PANEL ONLY)	1
	36	1225989	(008000–) Bracket, Mtg, Camera [M20/M30] (PRO PANEL ONLY)	1
	37	1218851	(008000–) Camera, Color, Fixed (PRO PANEL ONLY)	1
	38	382320	(008000–) Screw, Pan, Phl, 12–16 X 0.50, F/ Plstc (PRO PANEL ONLY)	2
	39	1071085	(008000–) Clip, Tie, 0.25d, Plstc (PRO PANEL ONLY)	1
	40	763114	(008000–) Tie, Cable, 11.3l, 2.75d Max (PRO PANEL ONLY)	1

Fig. 45 – Recovery Tank Drain Group

Ref.	Part No.	Serial Number	Description	Qty.	
1	9003794	(008000–) Tube Kit, Tank, Recvy, Replmt	1	
2	23498	(008000–) Clamp, Hose, Wormdrive, 3.56–4.50d, .50w	1	
3	1042010	(008000–) Mount Wldt, Valve, Pinch, Lh	1	
4	39277	(008000–) Screw, Hex, M8 X 1.25 X 25, 8.8	1	
5	222516	(008000–) Sleeve, P/M, 0.31b 0.50d 0.3l [430ss]	1	
6	32491	(008000–) Washer, Flat, 0.31, Std	5	
7	08713	(008000–) Nut, Hex, Lock, M8 X 1.25, NI, Ss	3	
8	1024599	(008000–) Bushing, Eccentric, Adj	1	
9	1026051	(008000–) Washer, Flat, 0.79b 1.18d .06, Nyl	1	
10	74090	(008000–) Bushing, Sleeve, 0.75b 0.88d 0.25l	1	
11	79506	(008000–) Screw, Flt, M8 X 1.25 X 30, Ss	1	
12	1028701	(008000–) Washer, Thrust, 0.34b 1.50d .06	1	
13	15648	(008000–) Bushing, Flng, 0.50b 0.59d 0.38l	1	
14	1028691	(008000–) Roller, Brg	1	
15	1028690	(008000–) Tube, 0.50d 0.32b 00.4l, Ss	1	
16	1017218	(008000–) Washer, Flat, 0.32b 1.00d .12, Ss	1	
17	1024535	(008000–) Arm, Pinch	1	
18	06955	(008000–) Screw, Hex, M8 X 1.25 X 35, 8.8	2	
19	80395	(008000–) Sleeve, P/M, 0.31b 0.50d 0.7l [430ss]	1	
20	76570	(008000–) Screw, Hex, M8 X 1.25 X 30, 8.8	1	
21	41186	(008000–) Washer, Flat, Belleville, .31	1	
22	1027039	(008000–) Handle, Valve, Pinch, Lh	1	
23	1023502	(008000–) Grip, Handle	1	
24	1017218	(008000–) Washer, Flat, 0.32b 1.00d .12, Ss	2	
25	09740	(008000–) Screw, Hex, M8 X 1.25 X 20, Ss	5	
26	1022137	(008000–) Plug, Hose, Pyu	2	
27	1025480	(008000–) Bracket, Retaining, Hose	1	
28	15675	(008000–) Screw, Hex, M8 X 1.25 X 16, Ss	1	
29	1041953	(008000–) Tube, 2.90id 3.00od 02.4l, Ss	1	
30	43555	(008000–) Clamp, Hose, Wormdrive, 2.50–3.50d, .50w	2	
31	1024558	(008000–) Strap, Retaining, Hose	1	
32	39349	(008000–) Washer, Flat, 0.31 Sae	1	
33	1019424	(008000–) Hose, Drain, 3.00id X 48.0l	1	
34	01685	(008000–) Washer, Flat, 0.31, Ss	2	
35	1031309	(008000–) Tube, Acrylic, Hose, Pinch	1	
▽	9003313	(008000–) Plug Kit, Drain, Recvy, Ci [M20 & T20]	1	
▲	36	1022370	(008000–) Plug, Drain, Expandable, 4.75–6.00	1
▲	37	1028328	(008000–) Tube Wldt, Plug, Drain	1
▲	38	1028173	(008000–) Pin, Lift, Drain	1
▲	39	1072885	(008000–) Tube Assy, Plug, Drain	1
▲	40	1028522	(008000–) Washer, Flat, .78b 1.75d .18, Ss	1
▲	41	1028211	(008000–) Handle Wldt, Drain	1
▲	42	58979	(008000–) Screw, Hex, M6 X 1.0 X 55, Ss	1
▲	43	08712	(008000–) Nut, Hex, Lock, M6 X 1.0, Ss, NI	1
▲	44	360801	(008000–) Sleeve, 0.31b 0.50d 0.3l, Ss	2
▲	45	1035044	(008000–) Seal, Shaft, Drain Plug	1
▲	46	1039652	(008000–) Seal, Plug, Drain, Nitrile	1

Fig. 46 - Vacuum Fan Group, Scrubbing

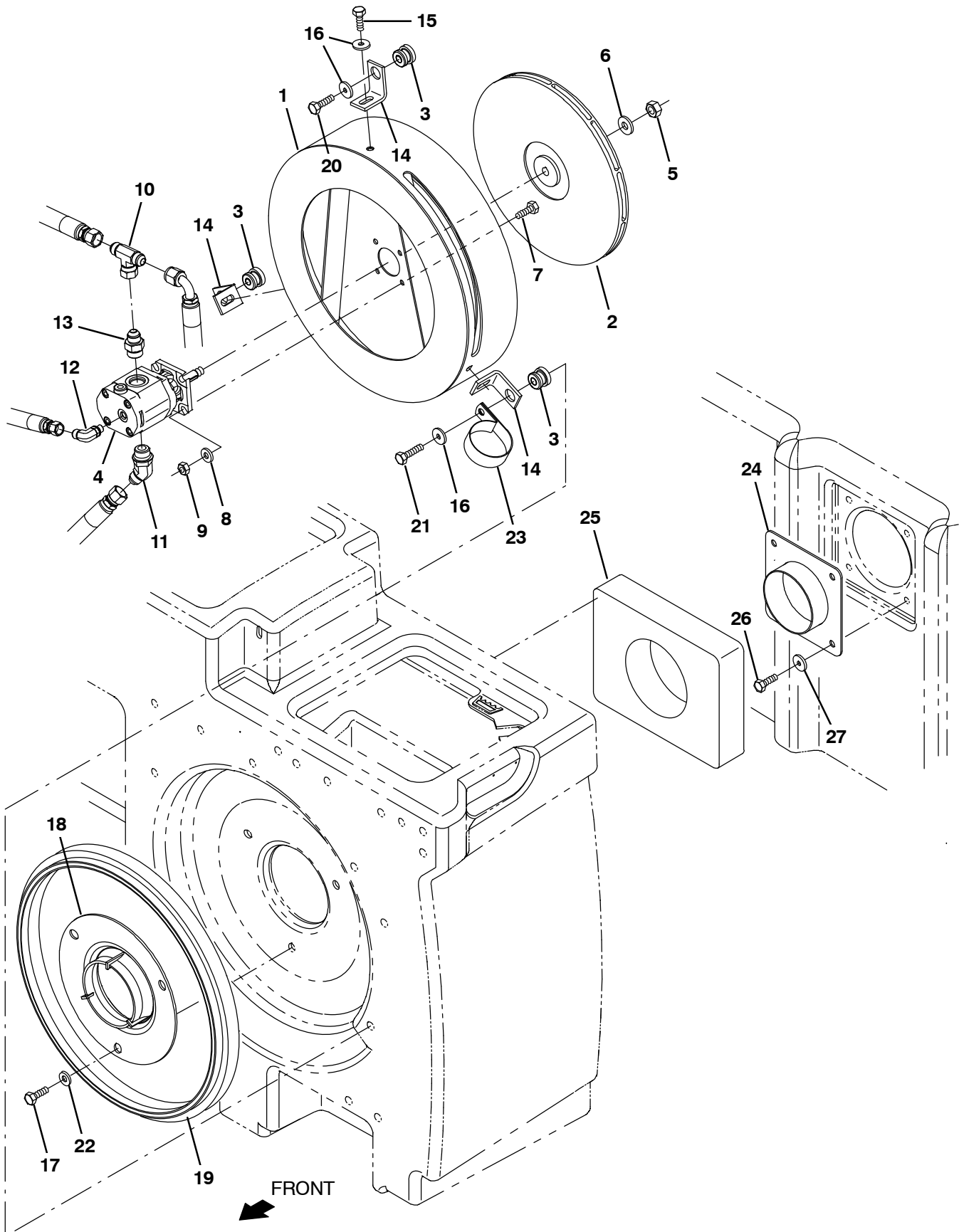


Fig. 46 – Vacuum Fan Group, Scrubbing

Ref.	Part No.	Serial Number	Description	Qty.
▽	9016241	(008000–) Fan Kit, Scb, Replmt [M20/T20/M30]	1
▲	1 1068611	(008000–) Plate Wldt, Mtg, Fan	1
▲	2 1062033	(008000–) Impeller, 11.81d X 0.500b	1
▲	3 54274	(008000–) Isolator, Vib, Bshg, 1.1d 0.6l .4b 0.78h	3
▲▽	9016242	(008000–) Motor Kit, Replmt [M20/T20/M30]	1
▲▲	4 1076027	(008000–) Motor, Hyd, Gear, Ext 0.17 Lh 3000	1
▲▲	5 07788	(008000–) Nut, Hex, Std, M12 X 1.75, Ss	1
▲▲	6 36328	(008000–) Washer, Flat, Belleville, .50	1
▲▲	7 09010	(008000–) Screw, Hex, M8 X 1.25 X 25, Ss	4
▲▲	8 01685	(008000–) Washer, Flat, 0.38b 0.88d .08, Ss	4
▲▲	9 08713	(008000–) Nut, Hex, Lock, M8 X 1.25, NI, Ss	4
▲▲	10 76315	(008000–) Fitting, Hyd, Tee, Jf08/Jm08/Jm08, Br	1
▲▲	11 47513	(008000–) Fitting, Hyd, E45, Jm08/Om10	1
▲▲	12 77098	(008000–) Fitting, Hyd, E90, Jm06/Om04	1
▲▲	13 56692	(008000–) Fitting, Hyd, Str, Jm08/Om10	1
▲	14 1068644	(008000–) Angle, Sppt, Fan	3
▲	15 39277	(008000–) Screw, Hex, M8 X 1.25 X 25, 8.8	3
▲	16 1017218	(008000–) Washer, Flat, 0.32b 1.00d .12, Ss	6
▲	17 09740	(008000–) Screw, Hex, M8 X 1.25 X 20, Ss	3
▲	18 1059100	(008000–) Housing, Fan, Radial Discharge, Sq Inlet	1
▲	19 1031617	(008000–) Seal, Afmkt, Bulb, Str, .75d F/07ga 08ft	1
▲	20 09011	(008000–) Screw, Hex, M8 X 1.25 X 30, Ss	2
▲	21 09023	(008000–) Screw, Hex, M8 X 1.25 X 35, Fl, Ss	1
▲	22 01685	(008000–) Washer, Flat, 0.38b 0.88d .08, Ss	3
	23 70157	(008000–) Clamp, Cable, Ss, 2.50d X 1.00w, 1hole	1
	24 1023754	(008000–) Plate Wldt, Hose, Vacuum	1
	25 1060716	(008000–) Gasket, 2.00, 07.87w 10.24l, Adh	1
	26 09740	(008000–) Screw, Hex, M8 X 1.25 X 20, Ss	4
	27 1017218	(008000–) Washer, Flat, 0.32b 1.00d .12, Ss	4

Fig. 47 – Vacuum Fan Group, Sweeping

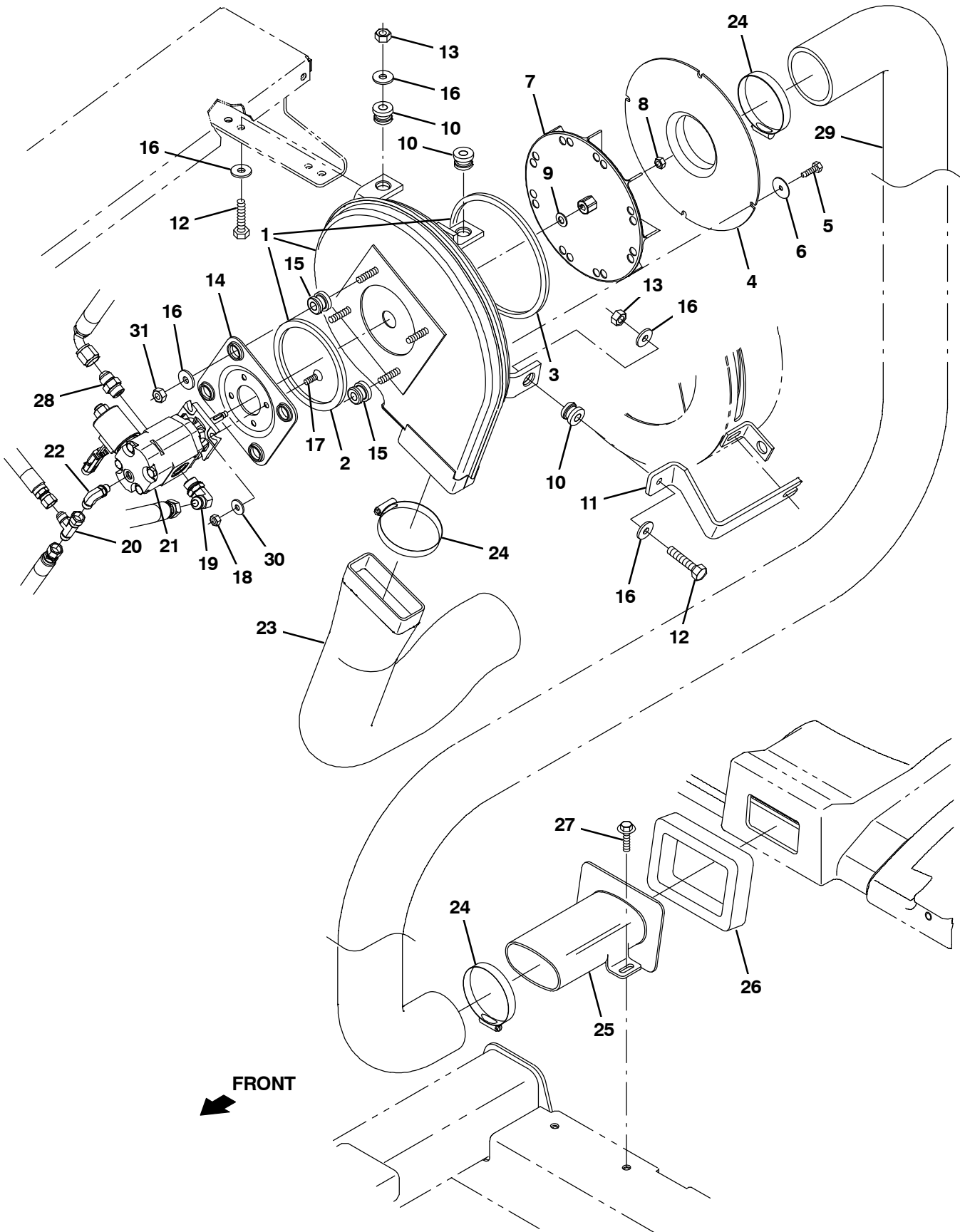
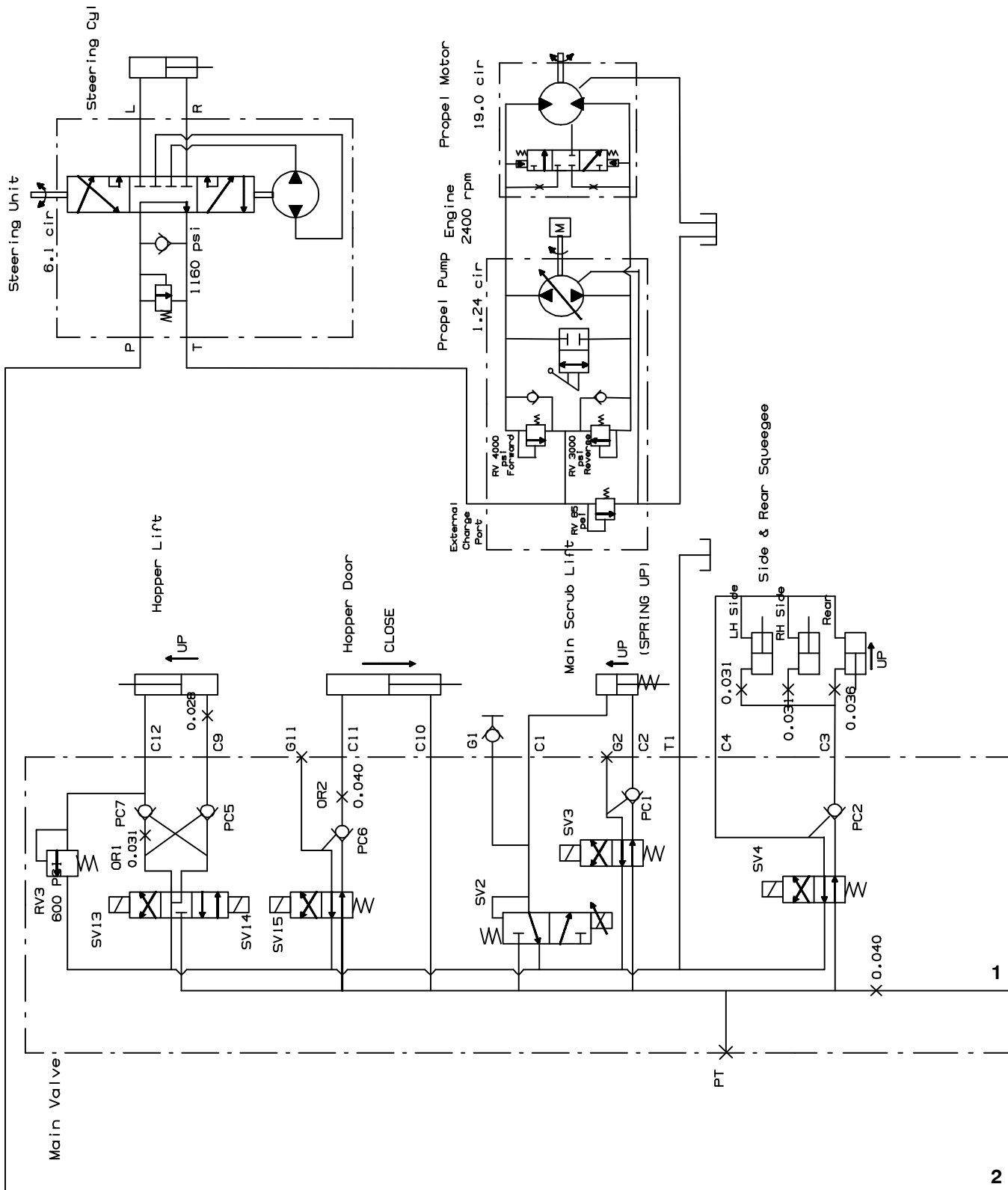


Fig. 47 – Vacuum Fan Group, Sweeping

	Ref.	Part No.	Serial Number	Description	Qty.
▽	1	9002683	(008000–) Housing Assy, Vacfan, Swpr	1
▲	2	59967	(008000–) Seal, Ure, 0.38 0.75w 13.2l Adh	1
▲	3	1015221	(008000–) Seal, Afmkt, Ure, Adh, 0.38, 0.75w 03ft	1
	4	1018216	(008000–) Fan Wldt, Vac, Inlet	1
	5	34323	(008000–) Screw, Hex, .25–20 X 0.75, NI	4
	6	41178	(008000–) Washer, Flat, 0.25 Fender	4
	7	74454	(008000–) Impeller, 9.00d X 1.40w X 0.376b	1
	8	31241	(008000–) Nut, Hex, Lock, .31–24, NI, Thin	1
	9	32485	(008000–) Washer, Flat, 0.38 Sae	1
	10	59649	(008000–) Isolator, Vib, Bshg, 1.1d 0.6l .4b 0.78h	3
	11	1074010	(008000–) Bar, Isolator, Vacfan [M20]	1
	12	39285	(008000–) Screw, Hex, M10 X 1.5 X 40, 8.8	3
	13	41430	(008000–) Nut, Hex, Lock, M10 X 1.5, NI	3
	14	54275A	(008000–) Bracket, Mtg, Motor	1
	15	54274	(008000–) Isolator, Vib, Bshg, 1.1d 0.6l .4b 0.78h	4
	16	1014563	(008000–) Washer, Flat, 0.40b 1.12d .12, Ss	10
	17	39534	(008000–) Screw, Flt, Soc, .25–20 X 1.00, Al	4
	18	32981	(008000–) Nut, Hex, Lock, .25–20, NI	4
	19	44868	(008000–) Fitting, Hyd, E90, Jm08/Om08	1
	20	42215	(008000–) Fitting, Hyd, Tee, Jf06/Jm06/Jm06, Run	1
	21	1071240	(008000–) Motor, Hyd, Gear, Ext 0.17 Lh 3000	1
	22	77098	(008000–) Fitting, Hyd, E90, Jm06/Om04	1
	23	1025756	(008000–) Muffler, Vacfan, 4.0id	1
	24	23498	(008000–) Clamp, Hose, Wormdrive, 3.56–4.50d, .50w	3
	25	1025841	(008000–) Tube, Transition, Casting	1
	26	1018209	(008000–) Gasket, Hppr, Transition	1
	27	1037346	(008000–) Screw, Hex, M8 X 1.25 X 25, 9.8, Sems	2
	28	44869	(008000–) Fitting, Hyd, Str, Jm08/Om08	1
	29	1018252	(008000–) Hose, Flex, Vacuum, 3.5d 32.0l	1
	30	32483	(008000–) Washer, Flat, 0.25, Sae	4
	31	36643	(008000–) Nut, Hex, Lock, .38–16, NI, Thin	4

Fig. 48 - Hydraulic Schematic



354453, 1018547 - M20

Fig. 49 – Hydraulic Hose Group, Steering and Propel

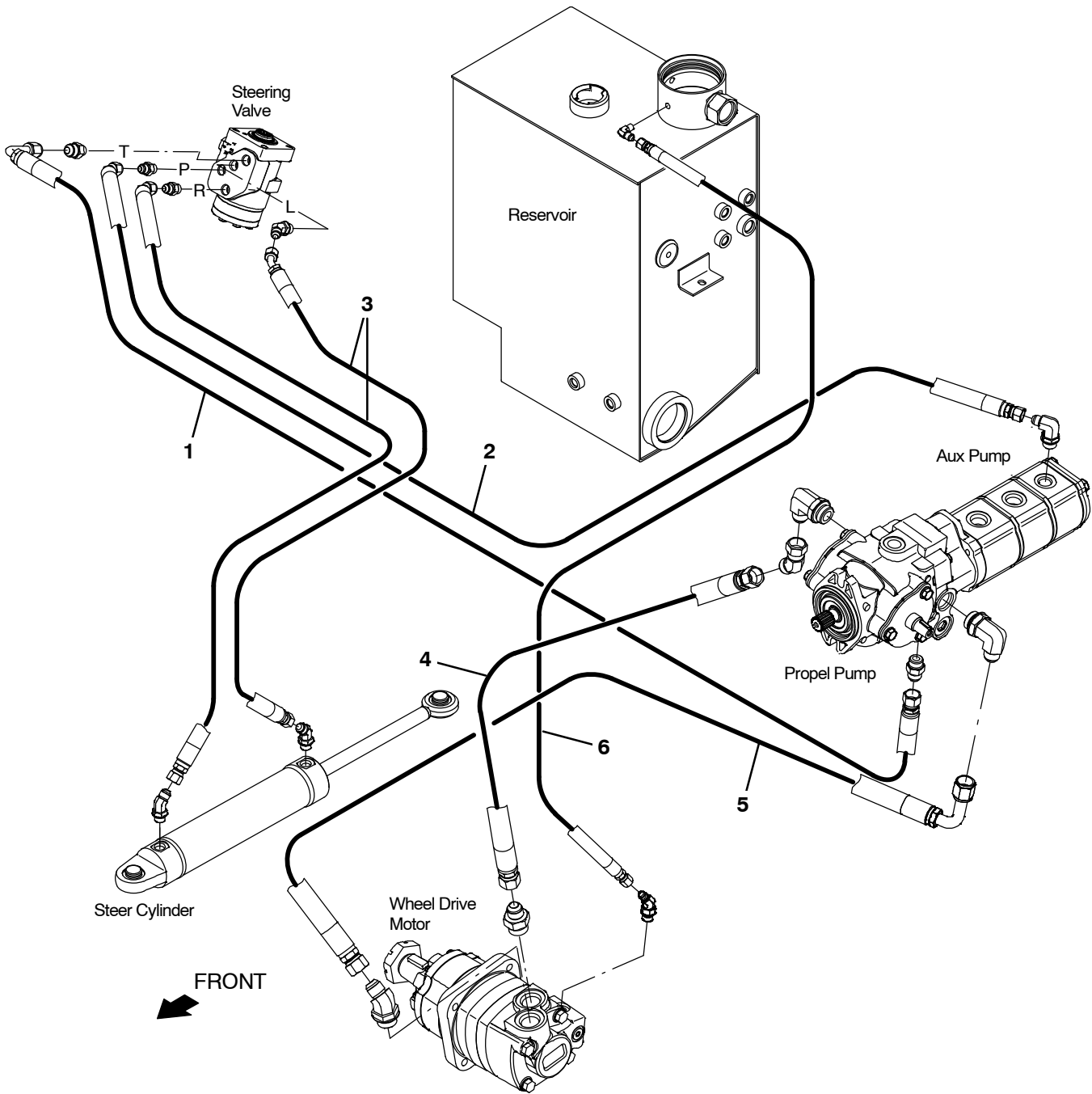


Fig. 49 – Hydraulic Hose Group, Steering and Propel

Ref.	Part No.	Serial Number	Description	Qty.
1	1229745	(008000–) Hose, Hyd, Tc08, Jfoee90/Jf08str, 96	1
2	1226062	(008000–) Hose, Hyd, Tc06, Jf06e45/Jf06str, 110.0	1
3	1226063	(008000–) Hose, Hyd, Tc06, Jf06e45/Jf06str, 45.0	2
4	1038569	(008000–) Hose, Hyd, Spcl, Jf10str/Jf10str, 56.5	1
5	1023488	(008000–) Hose, Hyd, Spcl, Jf10e90/Jf10str, 63.0	1
6	1030404	(008000–) Hose, Hyd,Med04, Jf04str/Jf04str, 066.0	1

Fig. 50 – Hydraulic Hose Group, Pump and Vacuum Fans

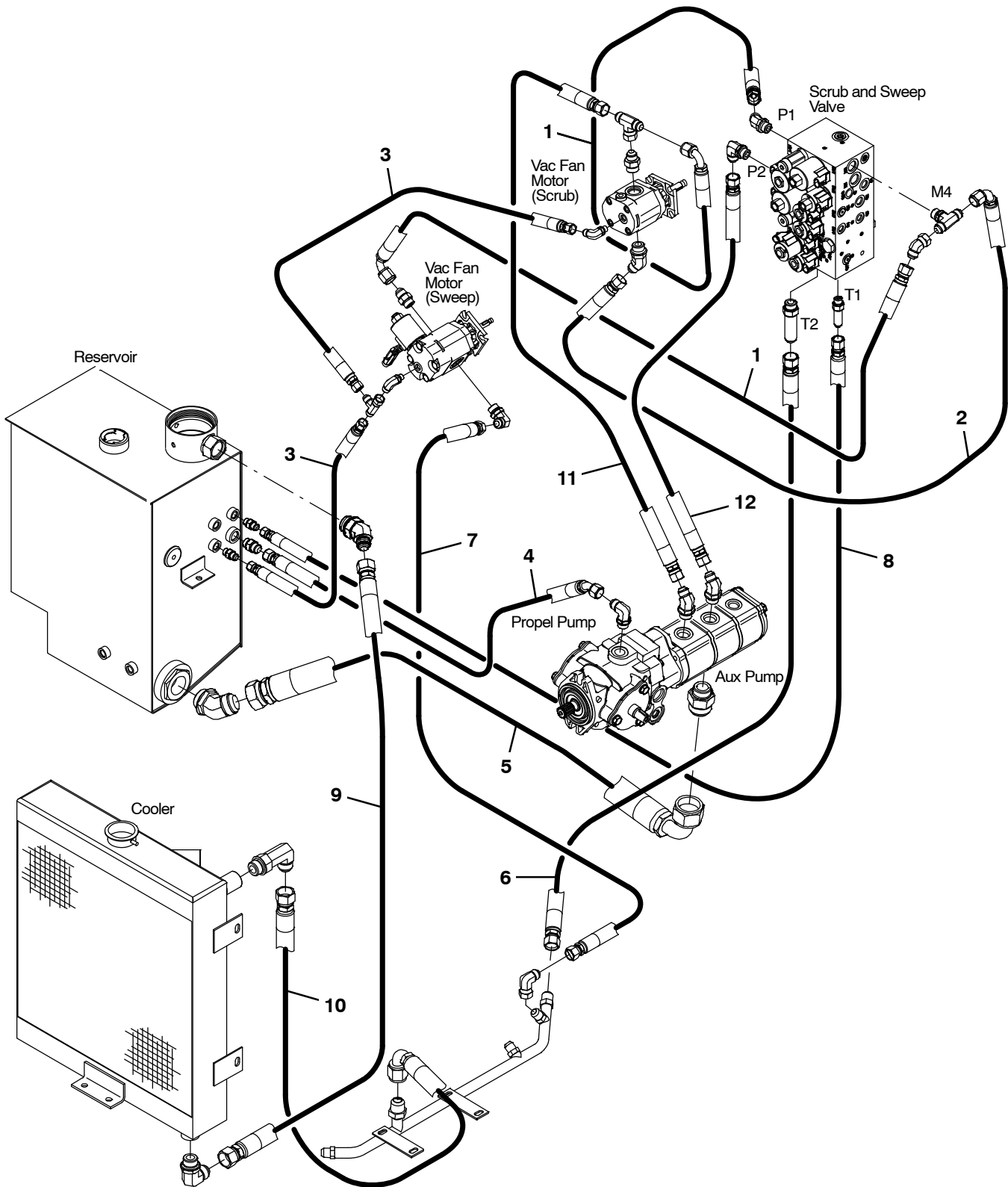


Fig. 50 – Hydraulic Hose Group, Pump and Vacuum Fans

Ref.	Part No.	Serial Number	Description	Qty.
1	71741	(008000–) Hose, Hyd, Tc08, Jf08e90/Jf08str, 046.0	2
2	396255	(008000–) Hose, Hyd, Tc08, Jf08str/Jf08e90, 031.0	1
3	16431	(008000–) Hose, Hyd, Med06, Jf06str/Jf06str, 022.0	1
4	1023607	(008000–) Hose, Hyd, Med08, Jf08str /Jf08e45, 21.0	1
5	34351	(008000–) Hose, Hyd, Suc20, Jf20e90/Jf20str, 032.0	1
6	1040655	(008000–) Hose, Hyd, Med10, Jf10Str/Jf10Str, 036.0	1
7	1036945	(008000–) Hose, Hyd, Tc08, Jf08str/Jf08str, 031.0	1
8	71556	(008000–) Hose, Hyd, Med06, Jf06Str/Jf06Str, 042.0	1
9	1052834	(008000–) Hose, Hyd, Med12, Jf12str/Jf12str, 060.0	1
10	1050436	(008000–) Hose, Hyd, Med12, Jf12e90/Jf12str, 029.0	1
11	1026645	(008000–) Hose, Hyd, Tc08, Jf08E45/Jf08Str, 026.0	1
12	1023606	(008000–) Hose, Hyd, Tc08, Jf08Str/Jf08Str, 021.0	1

Fig. 51 – Hydraulic Hose Group, Brush and Hopper

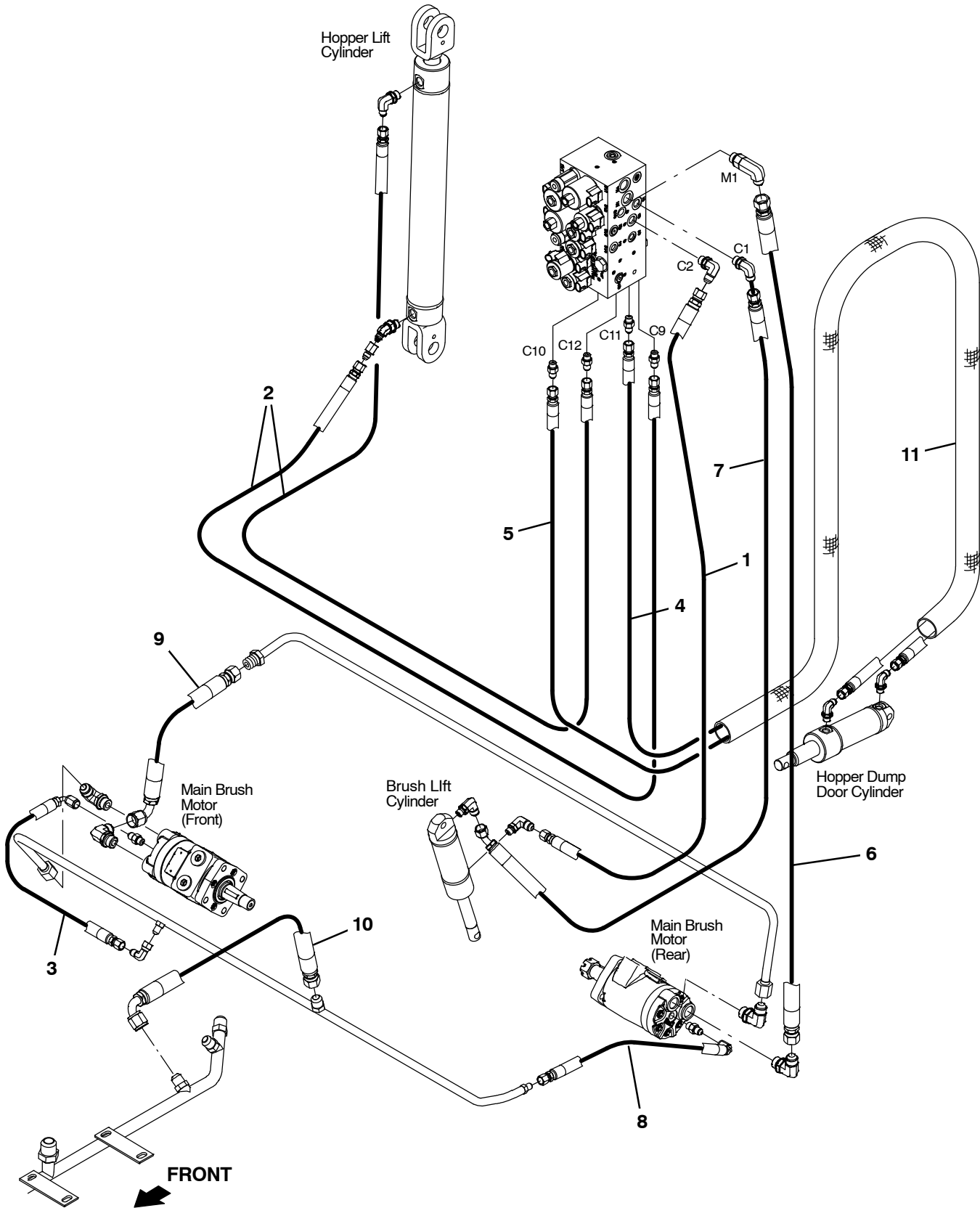


Fig. 51 – Hydraulic Hose Group, Brush and Hopper

Ref.	Part No.	Serial Number	Description	Qty.
1	1036939	(008000–) Hose, Hyd, Tc06, Jf06str/Jf06str, 054.0	1
2	1040628	(008000–) Hose, Hyd, Tc04, Jf04str/Jf04str, 096.0	2
3	387281	(008000–) Hose, Hyd, Tc04, Jf04e90/Jf04str, 020.0	1
4	1042775	(008000–) Hose, Hyd, Spcl, Jf04str/Jf04str, 138.0	1
5	1042776	(008000–) Hose, Hyd, Spcl, Jf04str/Jf04str, 132.0	1
6	1024764	(008000–) Hose, Hyd, Tc08, Jf08str/Jf08str, 48.0	1
7	1023769	(008000–) Hose, Hyd, Tc 06, Jf06str /Jf06e45, 56.0	1
8	57946	(008000–) Hose, Hyd, Med04, Jf04e90/Jf04str, 016.0	1
9	1025544	(008000–) Hose, Hyd, Tc08, Jf08e90/Jf08str, 13.0	1
10	381857	(008000–) Hose, Hyd, Tc08, Jf08e90/Jf08str, 018.0	1
11	1235405	(008000–) Sleeve, Nyl, 1.22id, 95.0l	1

Fig. 52 – Hydraulic Hose Group, Squeegee Lift

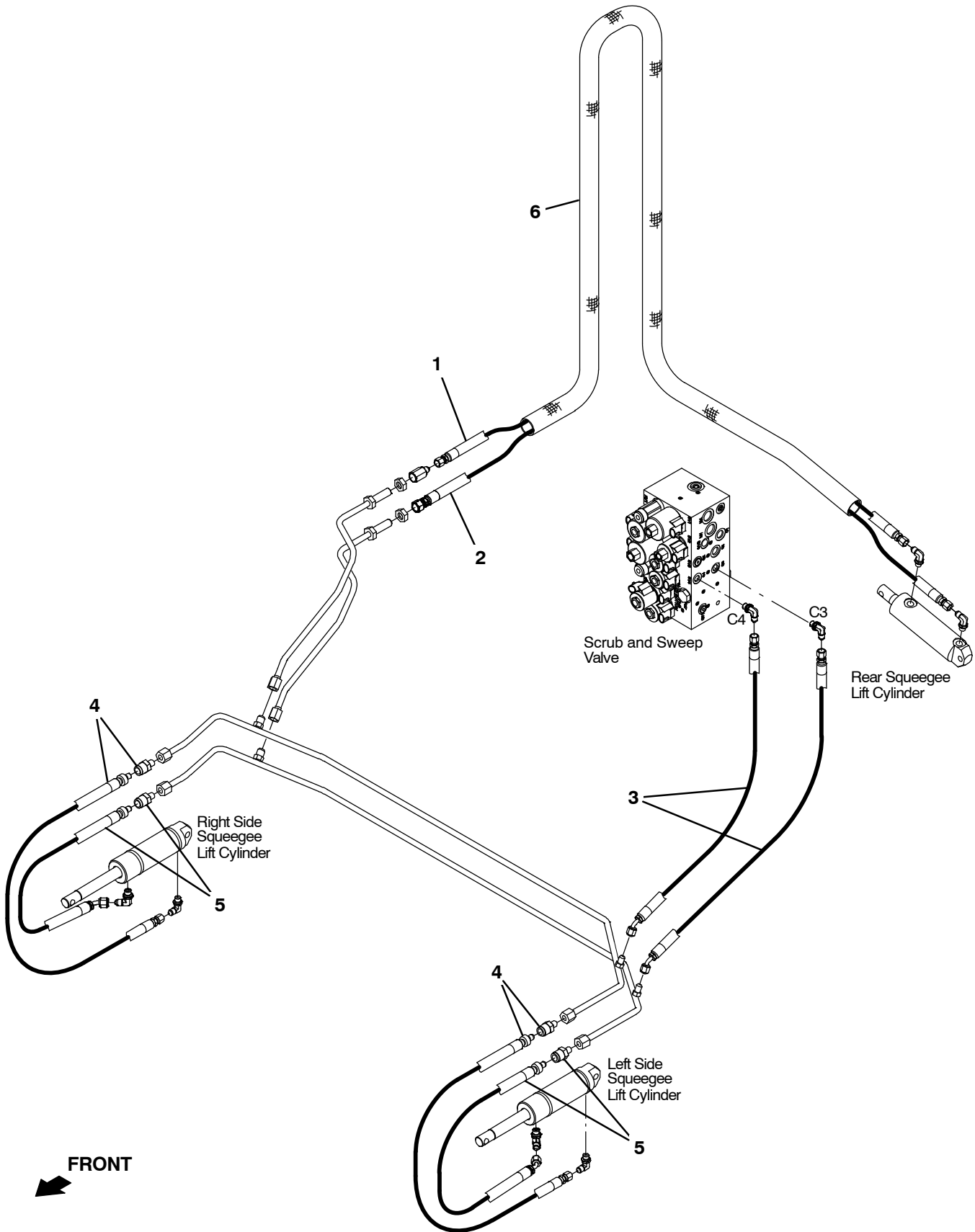


Fig. 52 – Hydraulic Hose Group, Squeegee Lift

Ref.	Part No.	Serial Number	Description	Qty.
1	1024688	(008000–) Hose, Hyd, Spcl, Jf04str/Jf04str, 124.0	1
2	1025551	(008000–) Hose, Hyd, Spcl, Jf04str/Jf06str, 128.0	1
3	1030709	(008000–) Hose, Hyd, Tc 04, Jf04str /Jf04e45 , 35.0	2
4	1045759	(008000–) Hose, Hyd, Tco4, Jf04Str/Qm06, 028.0	2
5	1037053	(008000–) Hose, Hyd, Tc04, Jf04e45/Qm06, 026.0	2
6	1235405	(008000–) Sleeve, Nyl, 1.22id, 95.0l	1

Fig. 53 – Hydraulic Pumps Group

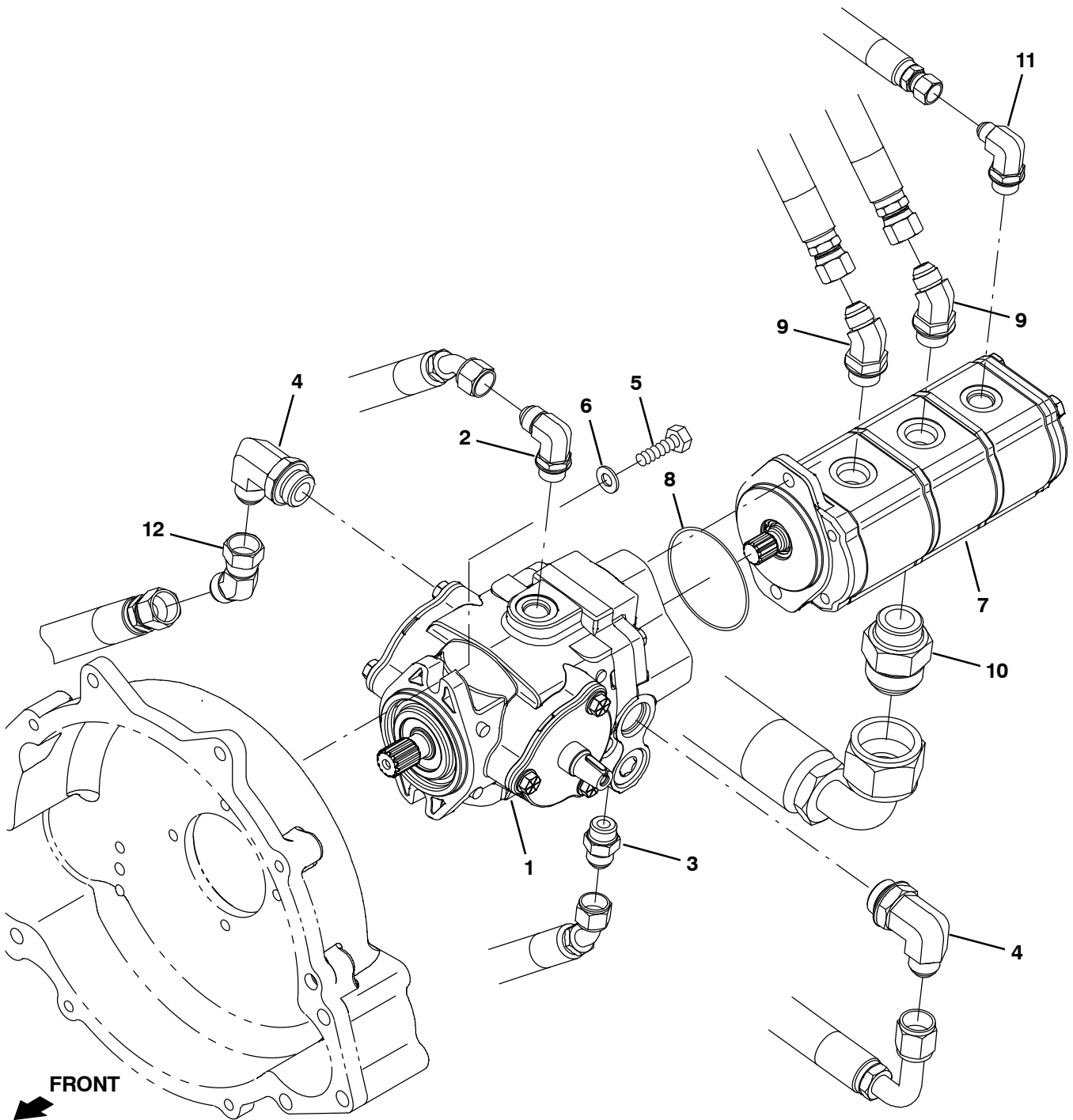


Fig. 53 - Hydraulic Pumps Group

Ref.	Part No.	Serial Number	Description	Qty.
1	1024251	(008000-) Pump, Hyd, Piston, Var, 1.24 4000, Cw (See Breakdowns)	1
2	44868	(008000-) Fitting, Hyd, E90, Jm08/Om08	1
3	44869	(008000-) Fitting, Hyd, Str, Jm08/Om08	1
4	53076	(008000-) Fitting, Hyd, E90, Jm10/Om12	2
5	39283	(008000-) Screw, Hex, M10 X 1.50 X 25, 8.8	2
6	32485	(008000-) Washer, Flat, 0.38 Sae	2
7	9007142	(008000-) Pump Kit, Mtg, Aux, Ci [M20 & T20]	1
8	65145-1	(008000-) Seal, Org, .069 X 3.06id	1
9	47513	(008000-) Fitting, Hyd, E45, Jm08/Om10	2
10	67811	(008000-) Fitting, Hyd, Str, Jm20/Om16	1
11	47512	(008000-) Fitting, Hyd, E90, Jm06/Om08	1
12	54017	(008000-) Fitting, Hyd, E45, Jf10/Jm10	1

Fig. 54 – Hydraulic Cooler and Tubes Group

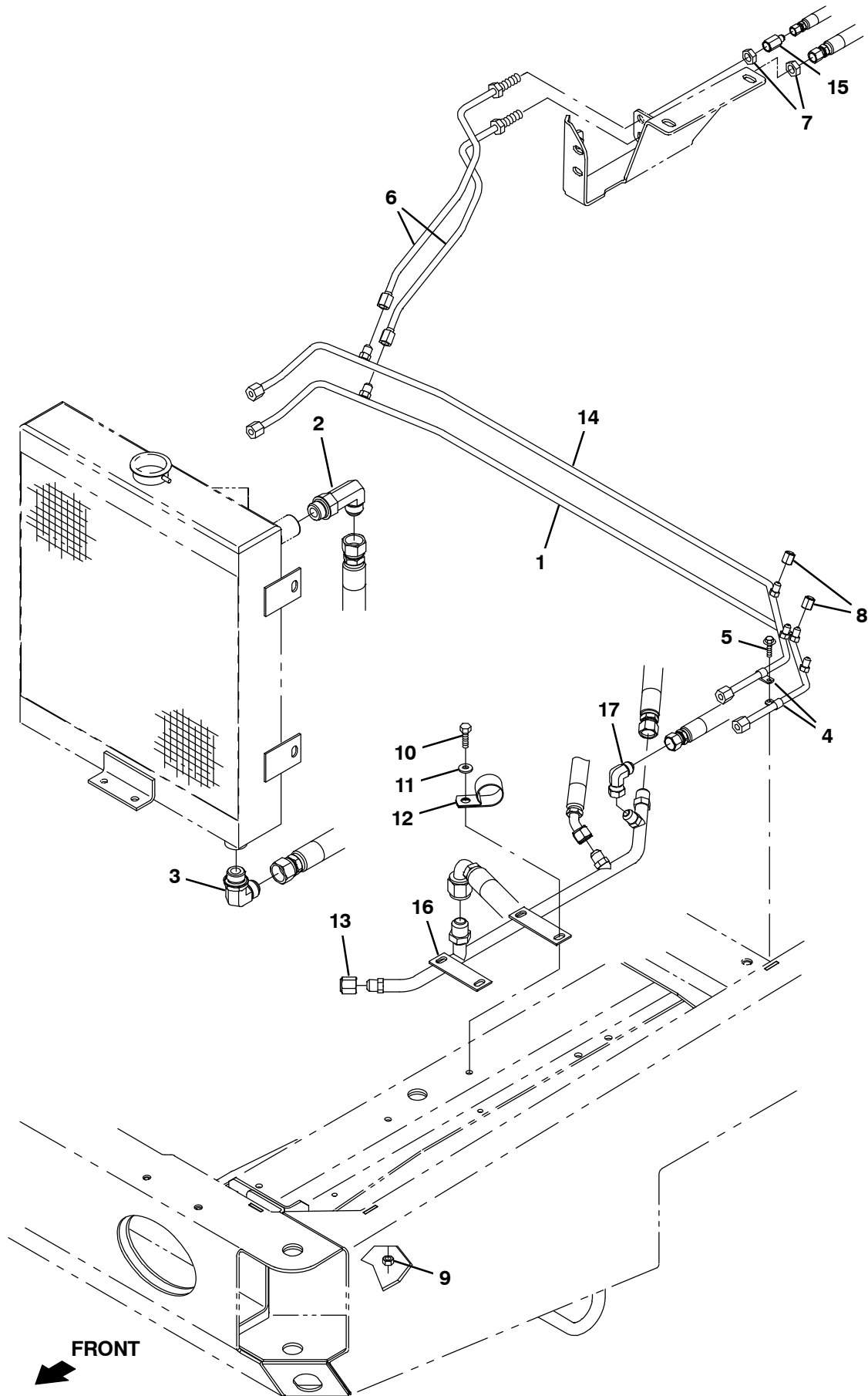


Fig. 54 – Hydraulic Cooler and Tubes Group

Ref.	Part No.	Serial Number	Description	Qty.
1	1028822	(008000–) Tube, Hyd, Sqge	1
2	46481	(008000–) Fitting, Hyd, E90, Jm12/Om12	1
3	62471	(008000–) Fitting, Hyd, E90, Jm12/Om12, L	1
4	40678	(008000–) Clamp, Cable, Stl, 0.44d X 0.62w, 1h	2
5	74455	(008000–) Screw, Hex, M6 X 1.0 X 12, Fmg	1
6	1028823	(008000–) Tube, Hyd, Rear Sqge [M20]	2
7	35904	(008000–) Nut, Ftg, Hyd, 0.56–18	2
8	50161	(008000–) Fitting, Hyd, Cap, Jf04	2
9	41430	(008000–) Nut, Hex, Lock, M10 X 1.5, NI	2
10	39277	(008000–) Screw, Hex, M8 X 1.25 X 25, 8.8	2
11	32491	(008000–) Washer, Flat, 0.31, Std	2
12	53466	(008000–) Clamp, Cable, Stl, 1.50d X 1.00w, 1h	1
13	60090	(008000–) Fitting, Hyd, Cap, Jf08	1
14	1028821	(008000–) Tube, Hyd, Sqge	1
15	47752	(008000–) Fitting, Hyd, Str, Jf06/Jm04	1
16	1071173	(008000–) Tube, Hyd, Main Return [G/Lp Mit2013]	1
17	17980	(008000–) Fitting, Hyd, E90, Jf08/Jm08	1

Fig. 55 – Hydraulic Reservoir Group

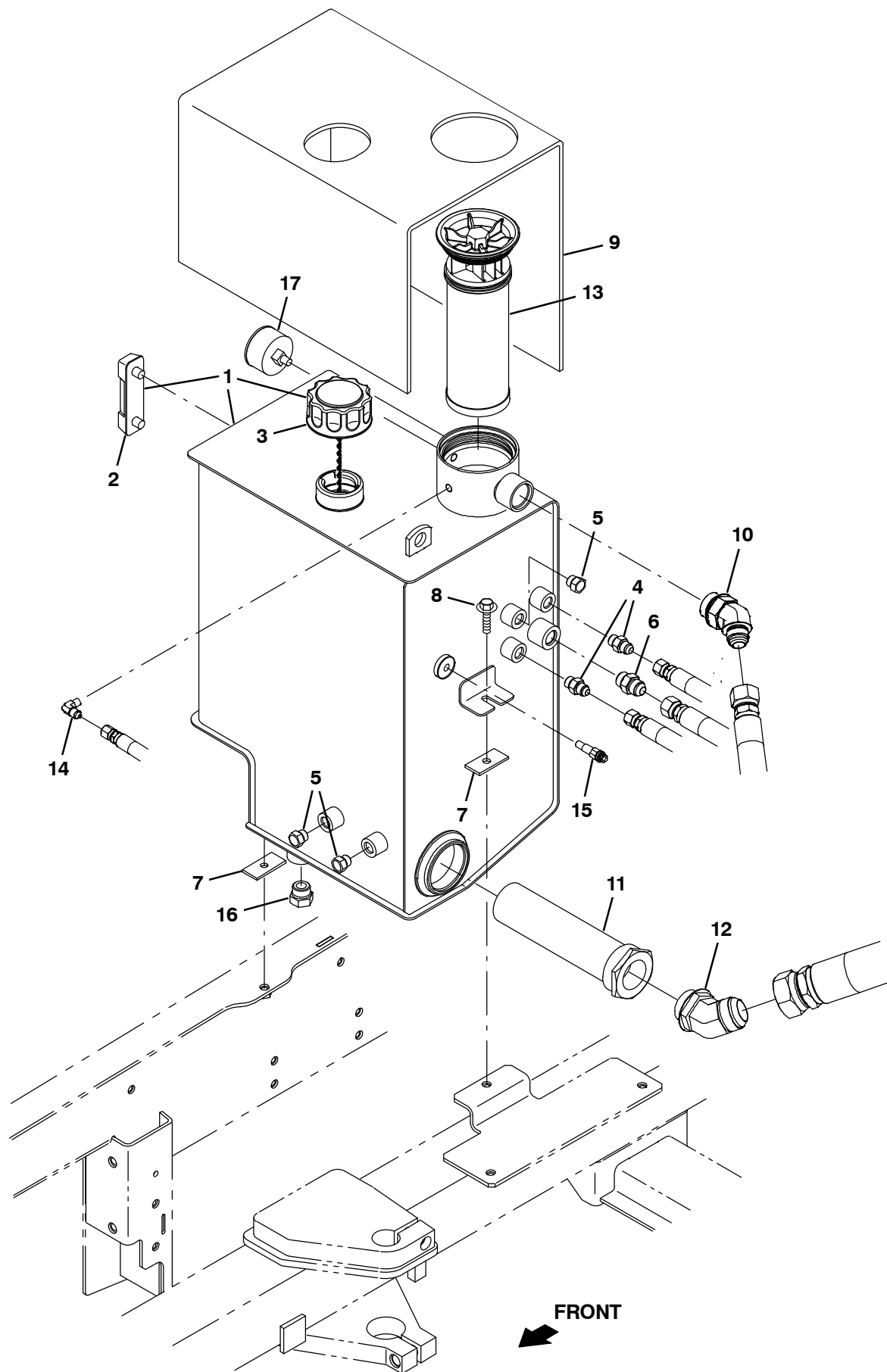


Fig. 55 - Hydraulic Reservoir Group

	Ref.	Part No.	Serial Number	Description	Qty.
▽	1	9002398	(008000-) Reservoir, Hyd, 10.0Gal, Replmt	1
▲	2	65215	(008000-) Gauge, Sensing, Level	1
▲	3	1018289	(008000-) Cap, Breather, Hyd, W Chain	1
	4	56690	(008000-) Fitting, Hyd, Str, Jm06/Om06	2
	5	46482	(008000-) Fitting, Hyd, Plug, Om06	3
	6	44869	(008000-) Fitting, Hyd, Str, Jm08/Om08	1
	7	1040318	(008000-) Pad, Tank, Hyd [W/Psa]	2
	8	1037354	(008000-) Screw, Hex, M8 X 1.25 X 30, 9.8, Sems	2
	9	1034878	(008000-) Insulation, Thermal, Hydraulic Blanket	1
	10	1023545	(008000-) Fitting, Hyd, E45, Jm12/Om16	1
	11	31613	(008000-) Strainer, Hyd, 25gpm 100mesh Psi	1
	12	71726	(008000-) Fitting, Hyd, E45, Jm20/Om20	1
	13	1021579	(008000-) Filter Assy, Hyd, 10mic	1
	14	55455	(008000-) Fitting, Hyd, E90, Jm04/Pm02	1
	15	58592	(008000-) Send-Unit, Water, Temp, 04npt 113oh/195d	1
	16	40362	(008000-) Fitting, Hyd, Plug, Om10	1
	17	1025132	(008000-) Indicator, Press, 60psi	1

Fig. 56 – Hydraulic Valve Group

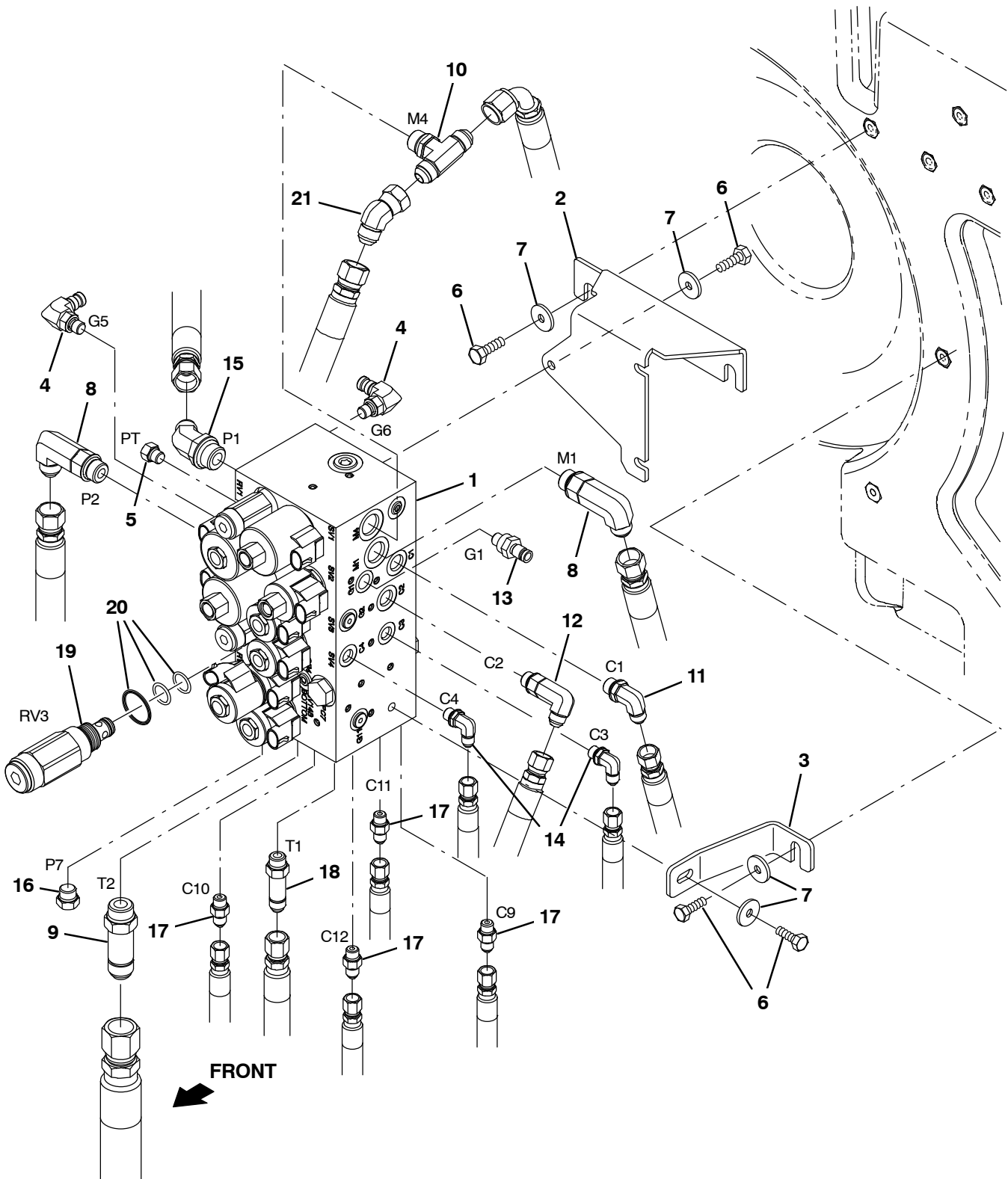
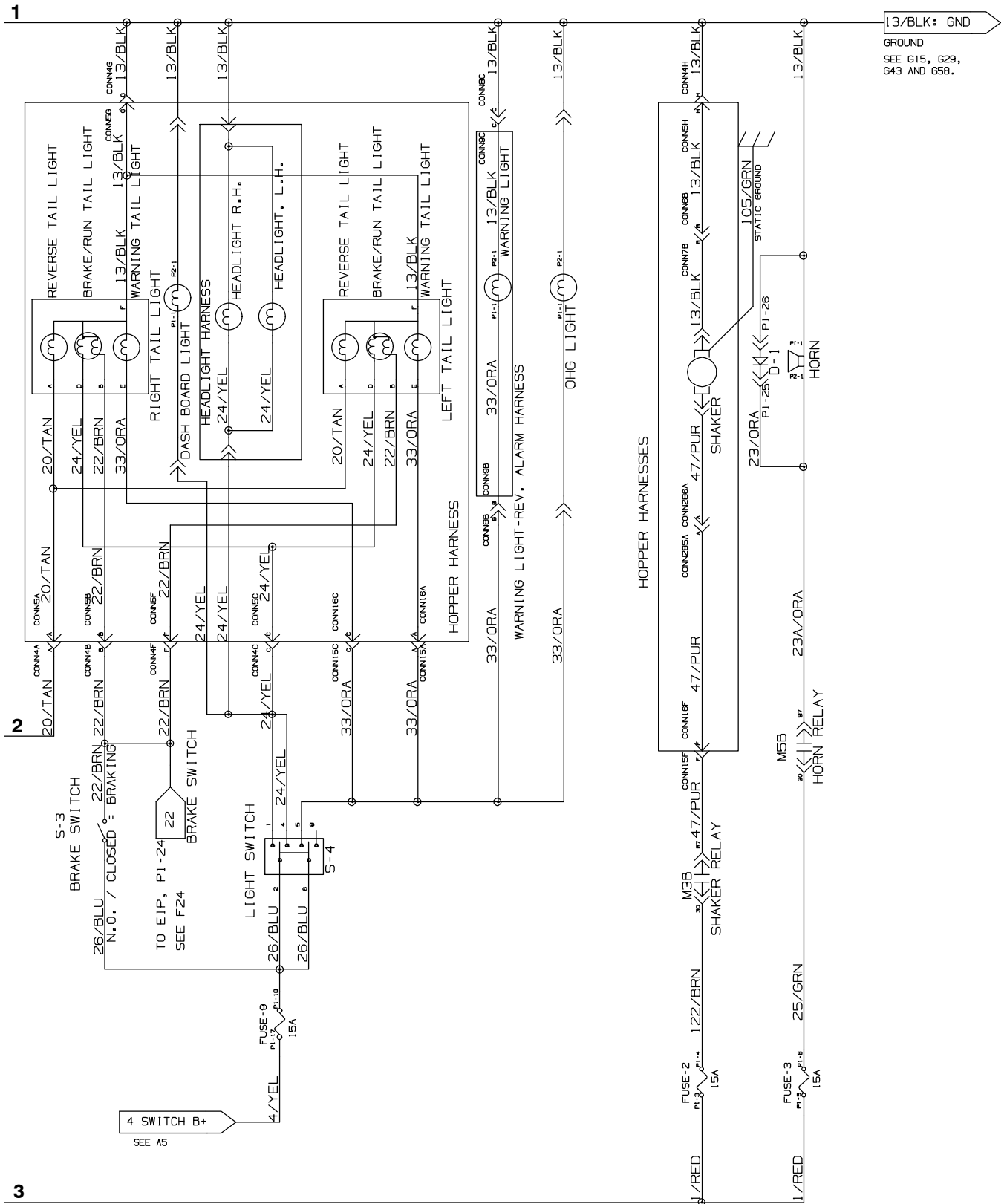


Fig. 56 - Hydraulic Valve Group

Ref.	Part No.	Serial Number	Description	Qty.	
1	1072995	(008000-) Valve, Cntrl, Hyd, Solenoid, 12vdc 10gpm (See Break-downs)	1	
2	1039789	(008000-) Bracket, Mtg, Valve [Combined]	1	
3	1040117	(008000-) Bracket, Mtg, Valve, Lower	1	
4	395974	(008000-) Fitting, Hyd, E90, Om04/Qm04	2	
5	33812	(008000-) Fitting, Hyd, Plug, Om04	1	
6	09740	(008000-) Screw, Hex, M8 X 1.25 X 20, Ss	8	
7	1017218	(008000-) Washer, Flat, 0.32b 1.00d .12, Ss	8	
8	69173	(008000-) Fitting, Hyd, E90, Jm08/Om08, Long	2	
9	1040876	(008000-) Fitting, Hyd, Str, Jm10/Om10, Long	1	
10	49933	(008000-) Fitting, Hyd, Tee, Jm08/Jm08/Om08, Br	1	
11	56820	(008000-) Fitting, Hyd, E90, Jm06/Om06	1	
12	71727	(008000-) Fitting, Hyd, E90, Jm06/Om06, Long	1	
13	395973	(008000-) Fitting, Hyd, Str, Om04/Qm04	1	
14	77097	(008000-) Fitting, Hyd, E90, Jm04/Om04	2	
15	42226	(008000-) Fitting, Hyd, E45, Jm08/Om08	1	
16	46482	(008000-) Fitting, Hyd, Plug, Om06	1	
17	55586	(008000-) Fitting, Hyd, Str, Jm04/Om04	4	
18	59577	(008000-) Fitting, Hyd, Str, Jm06/Om06, Long	1	
▽	19	1044367	(008000-) Valve, Relief, 0600Psi	1
▲	20	373647	(008000-) Seal Kit, Cartridge	1
	21	07797	(008000-) Fitting, Hyd, E45, Jf08/Jm08	1

Fig. 57 - Electrical Schematic



13/BLK: GND
GROUND
SEE G15, G29,
G43 AND G58.

Fig. 57 – Electrical Schematic

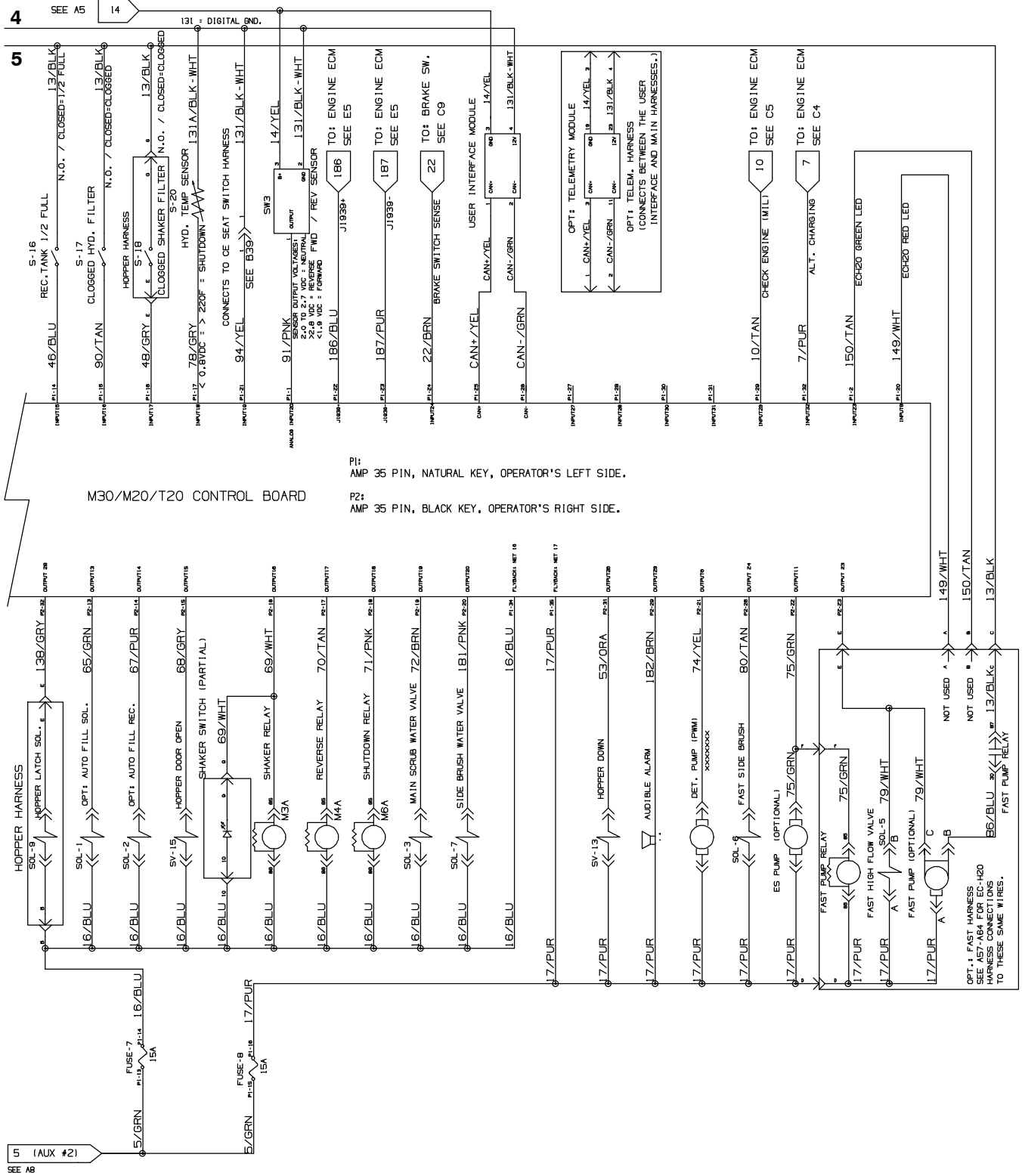
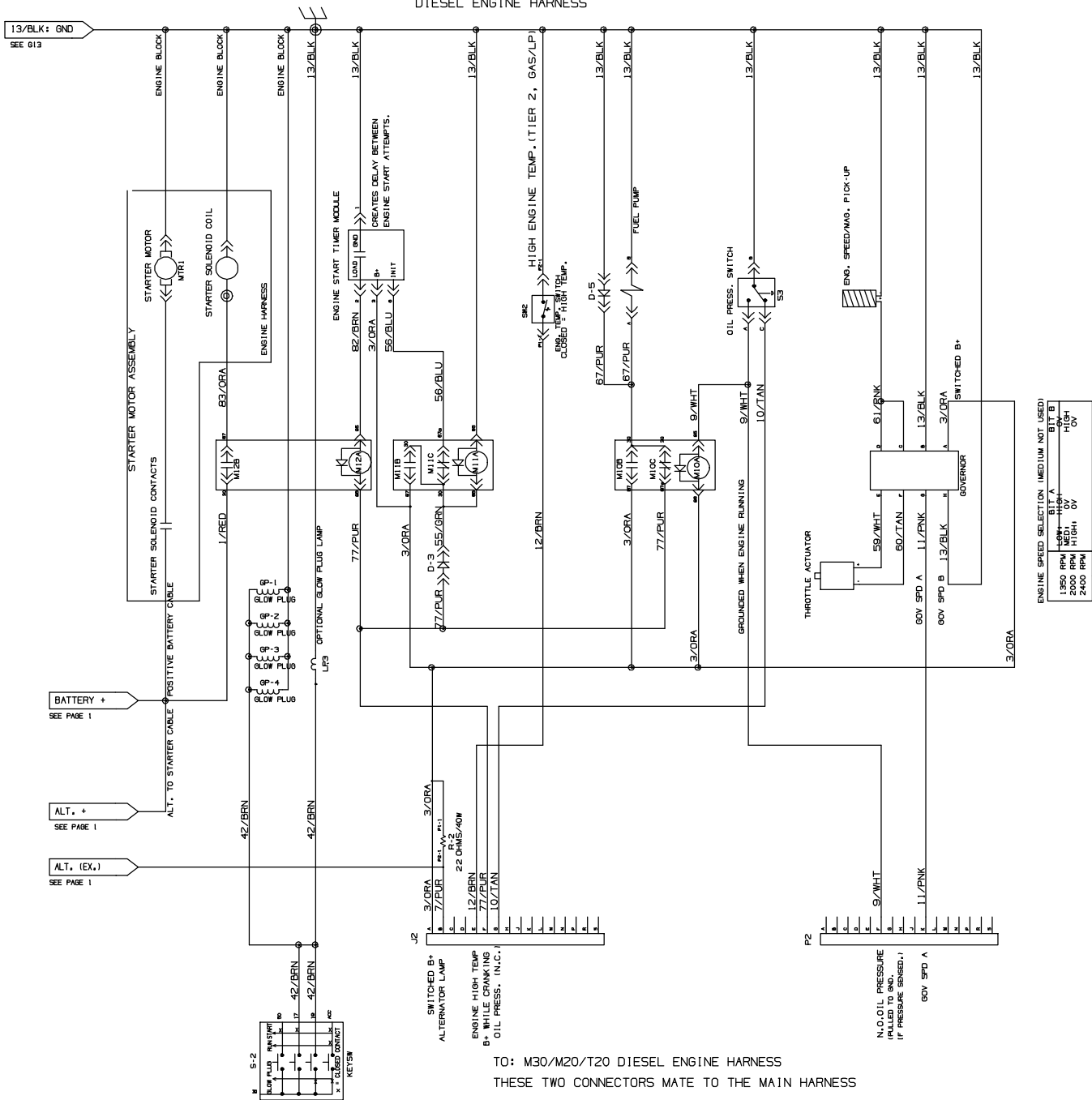


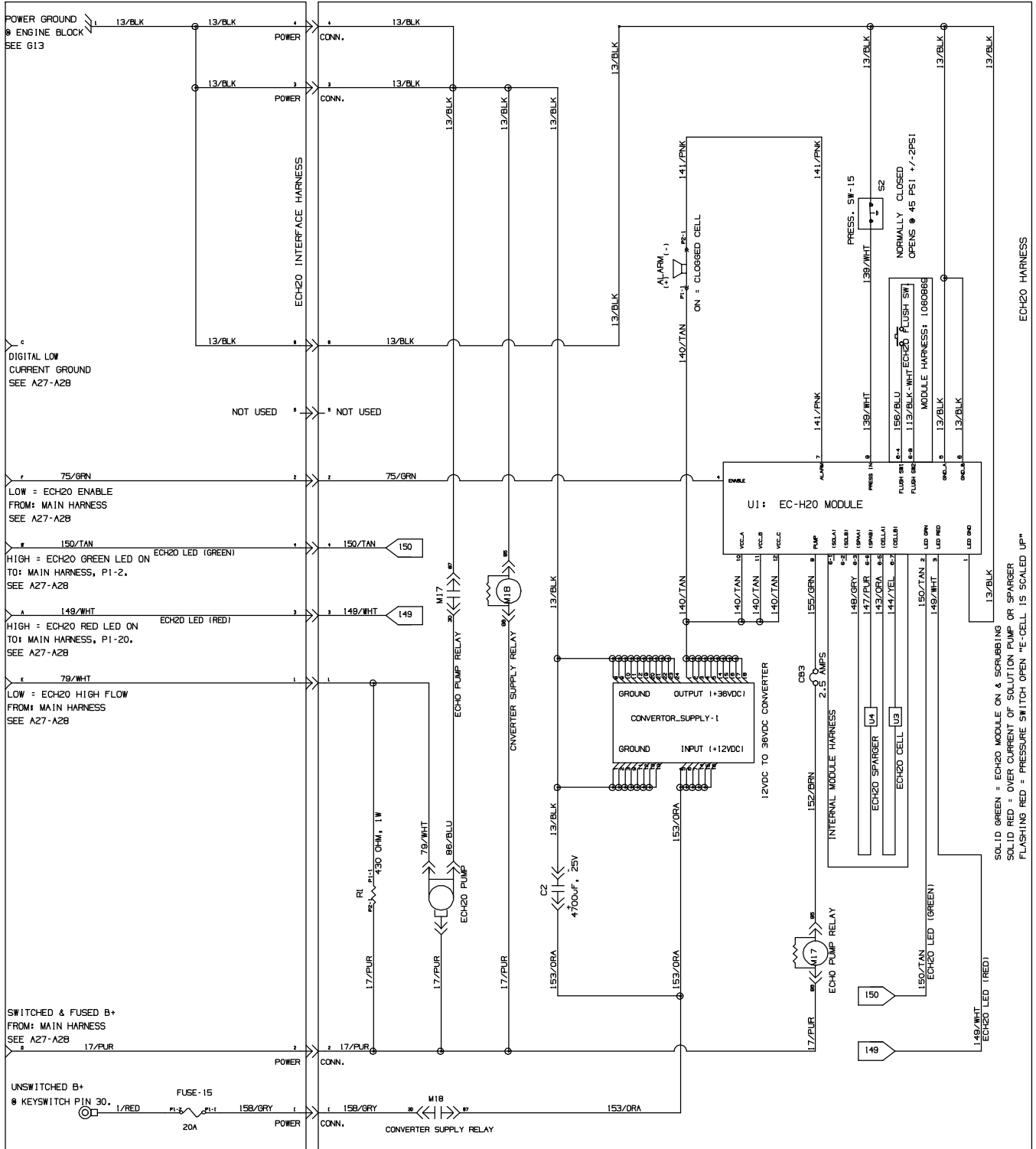
Fig. 57 - Electrical Schematic DIESEL ENGINE HARNESS



1075420 - 356680

Fig. 57 – Electrical Schematic

OPT: EC-H2O SYSTEM

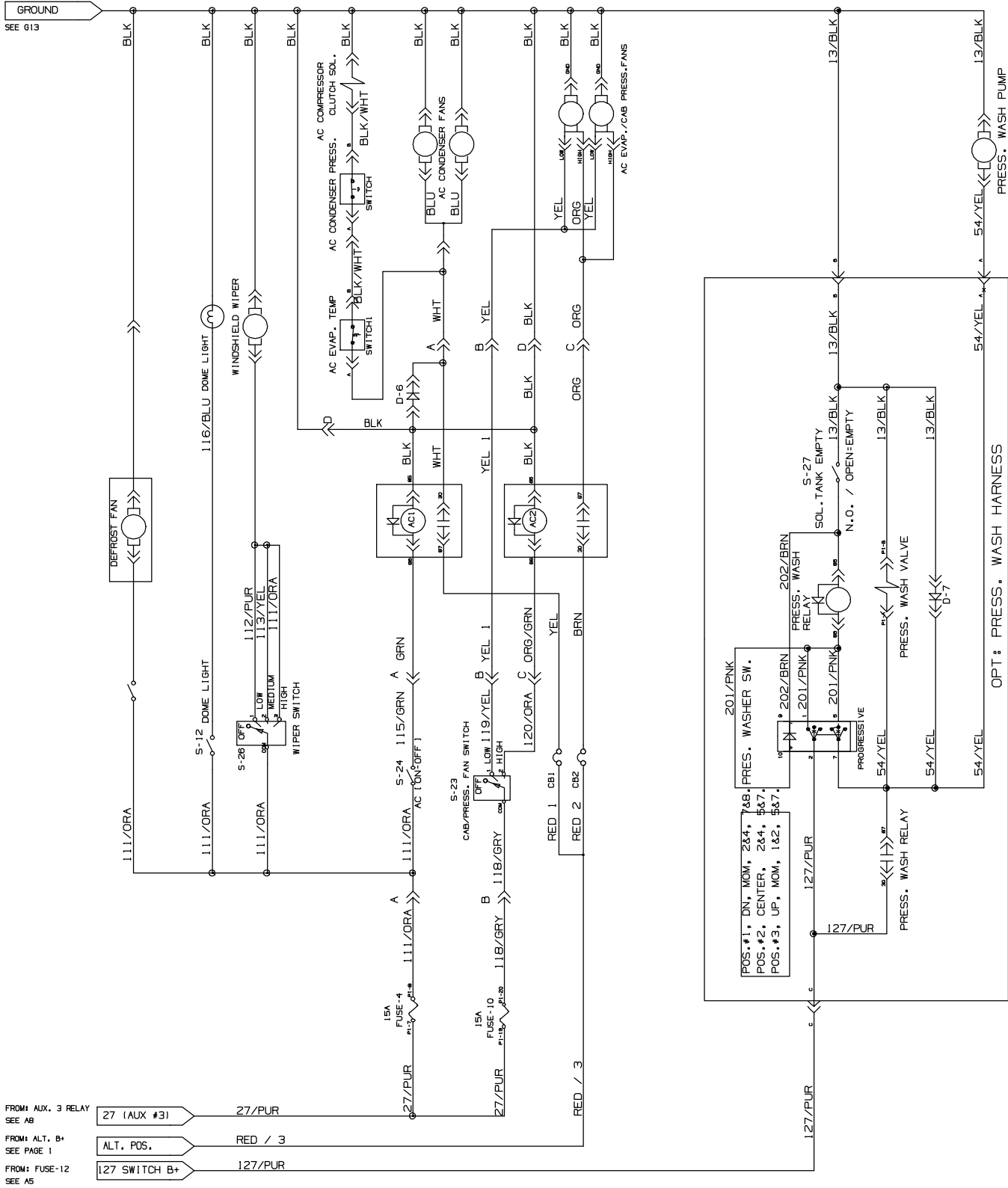


1075420 – 356680

Fig. 57 - Electrical Schematic

OPT: CAB HEATING AND AC OPTION

OPT: PRESSURE WASHER



1075420 - 356680

Fig. 57 – Electrical Schematic

OPT : SPRAY NOZZLE

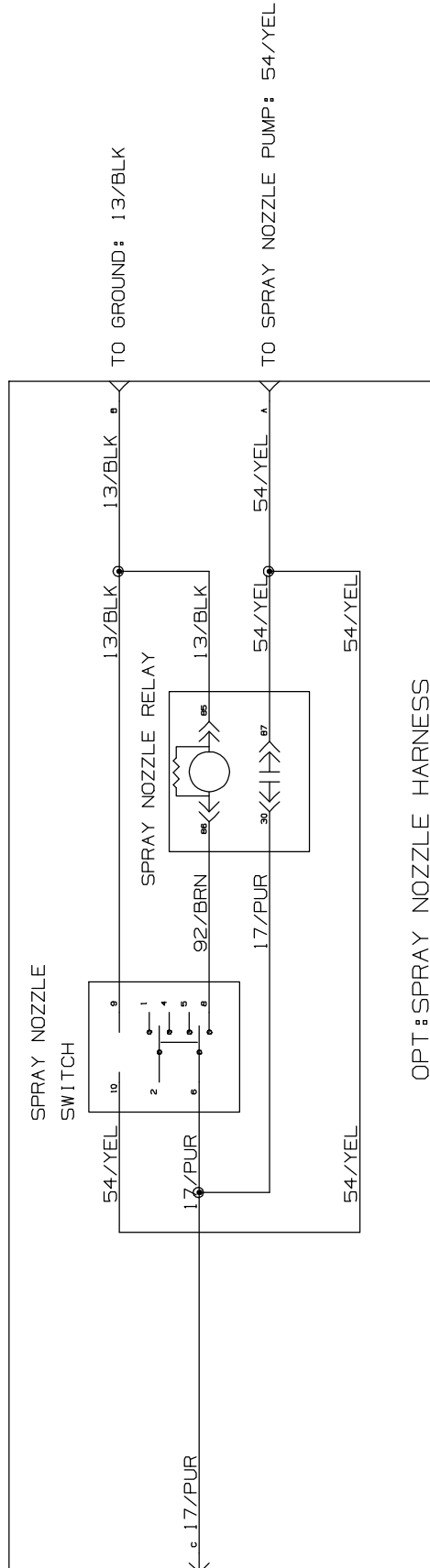


Fig. 58 – Electrical Wire Harness Group, Main

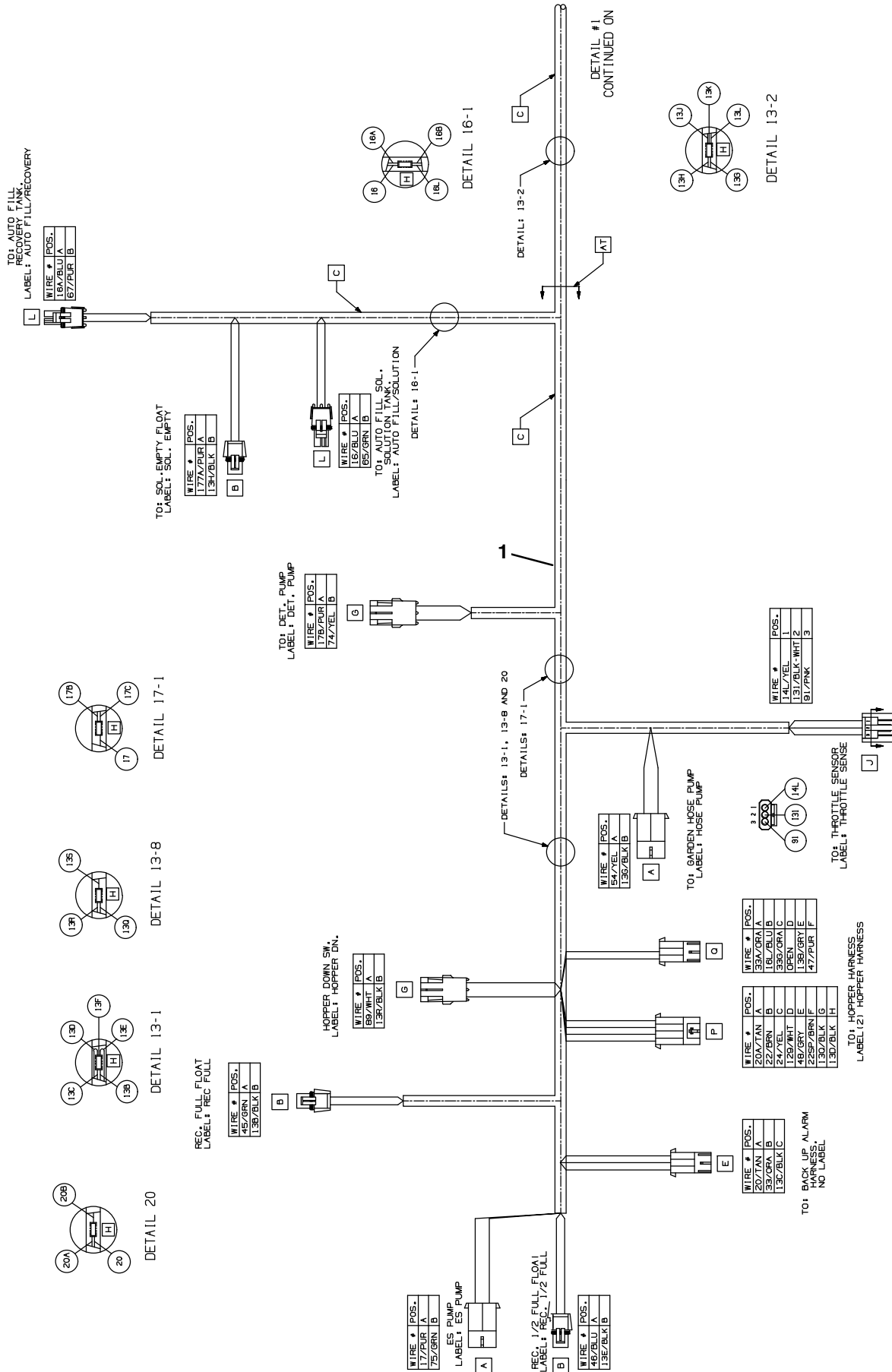


Fig. 58 - Electrical Wire Harness Group, Main

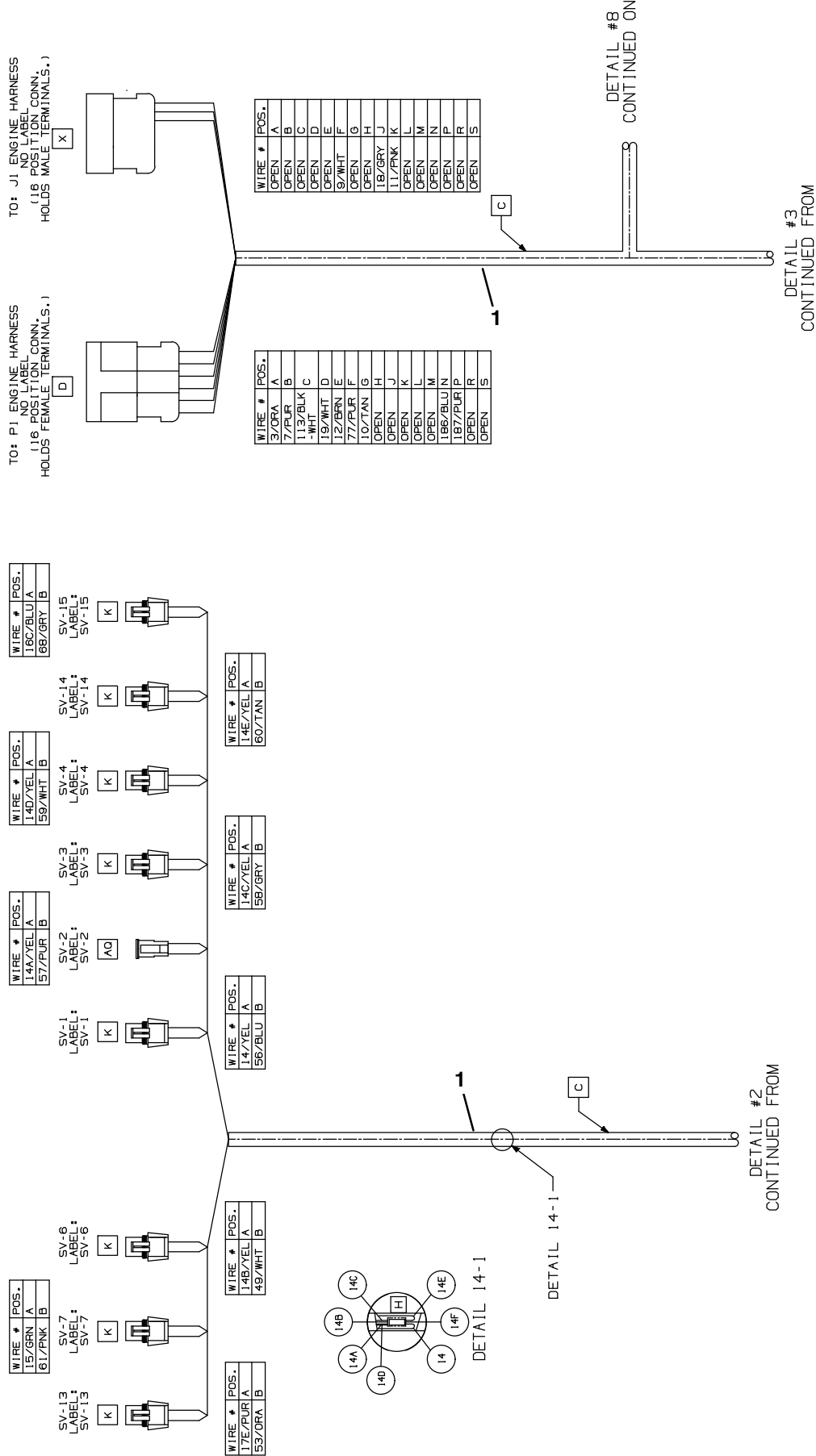


Fig. 58 - Electrical Wire Harness Group, Main

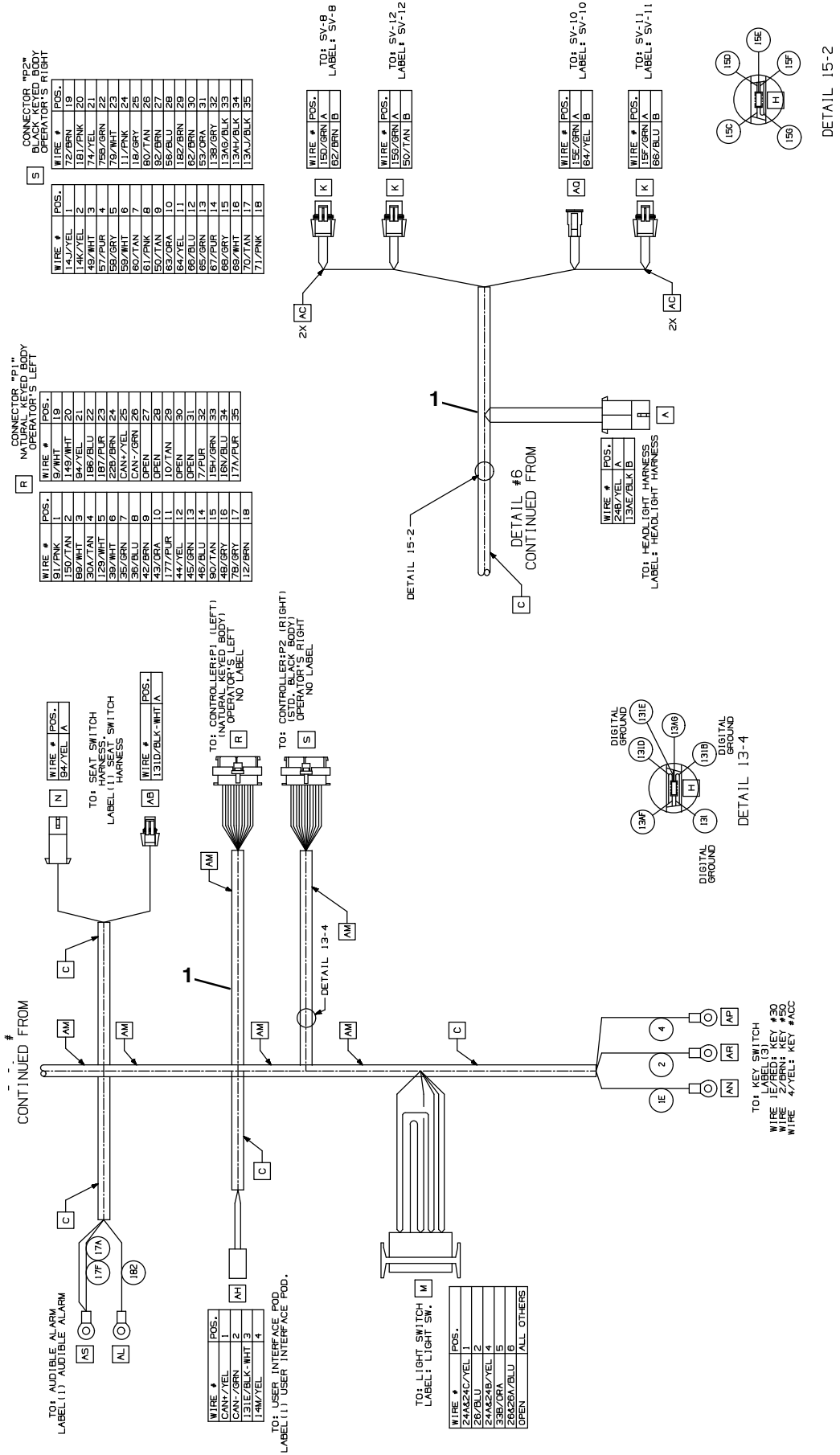


Fig. 58 - Electrical Wire Harness Group, Main

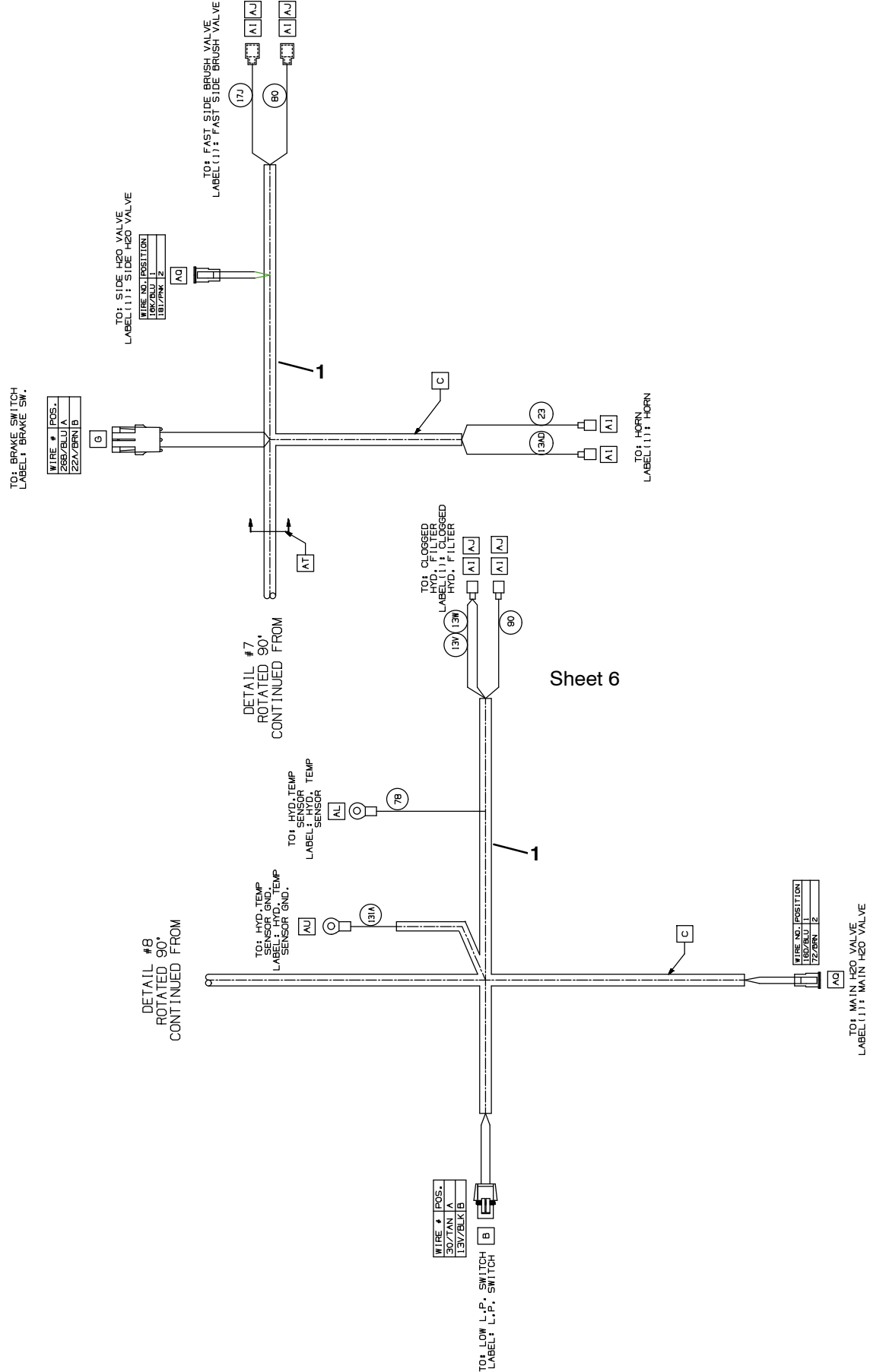
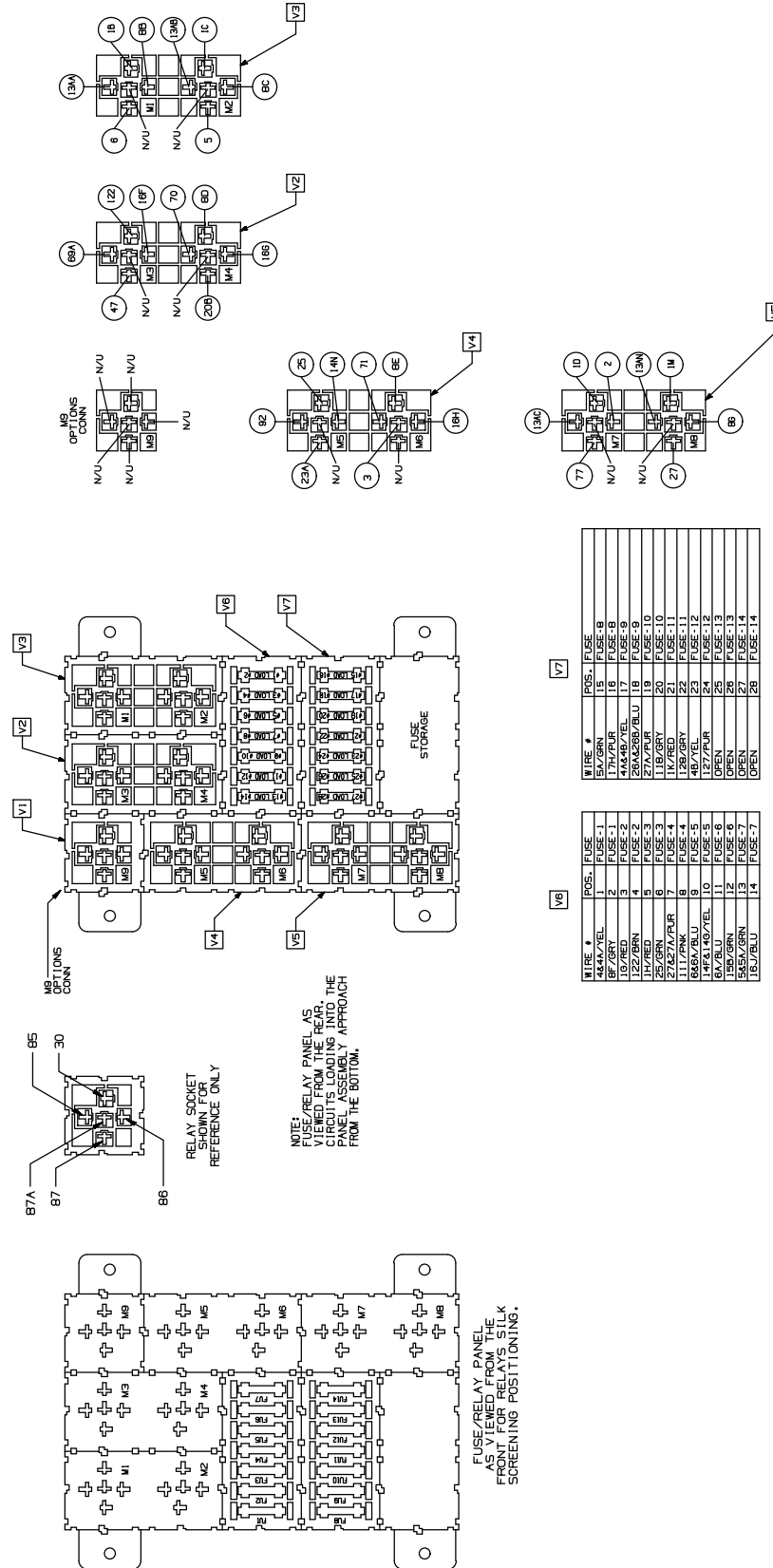


Fig. 58 - Electrical Wire Harness Group, Main



356678 - M20, M30

Ref.	Part No.	Serial Number	Description	Qty.
1	1075079	(008000-)	Harness, Main [M30/M20]	1

Fig. 59 - Electrical Wire Harness Group, Diesel Engine

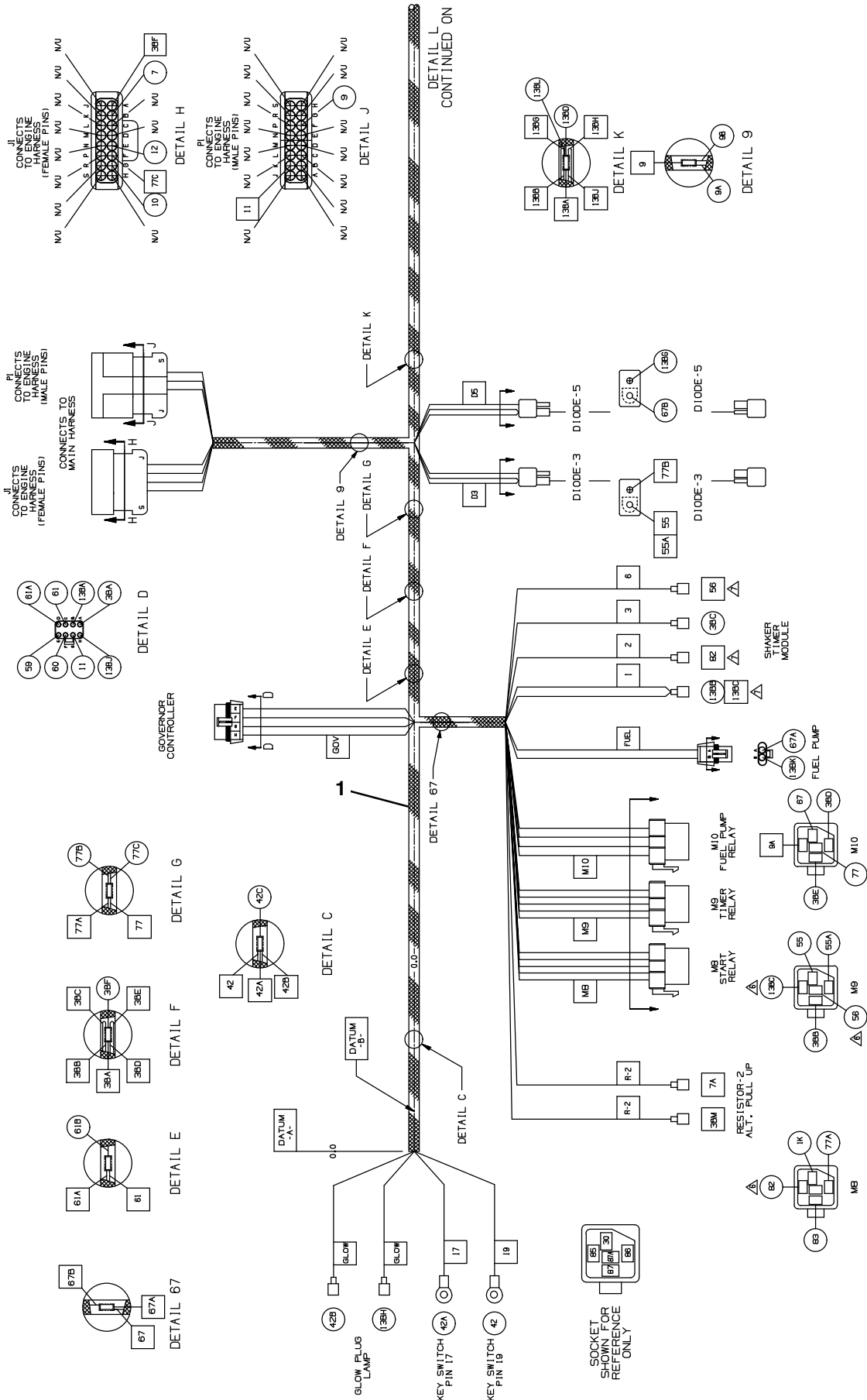
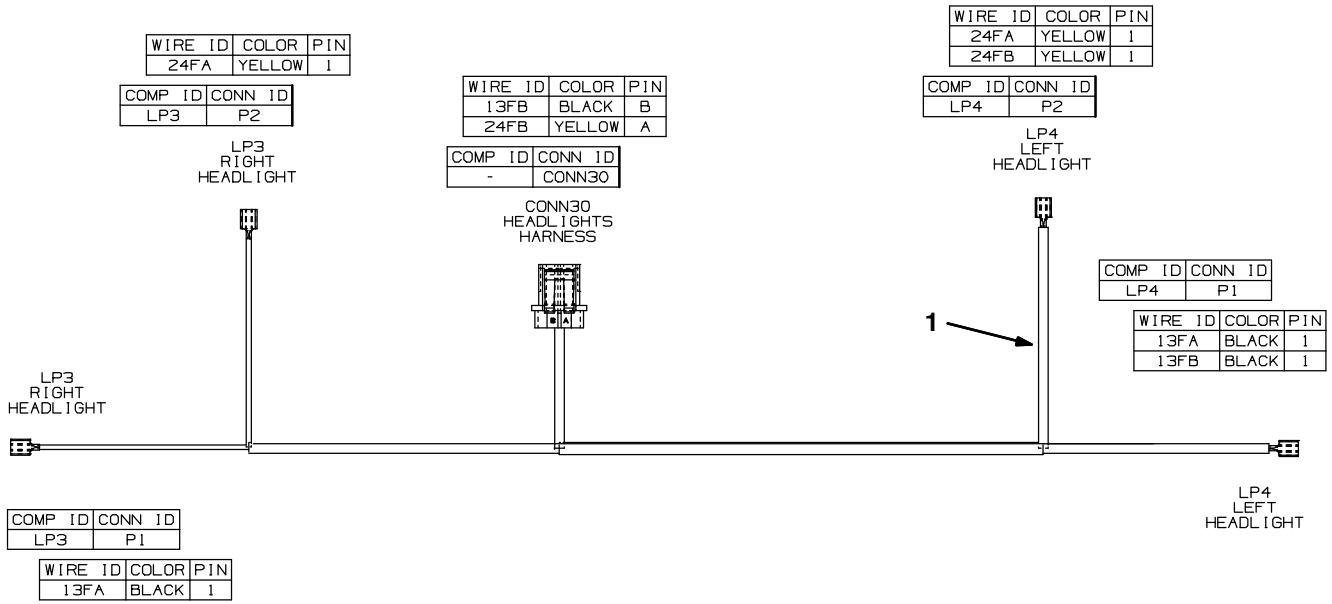
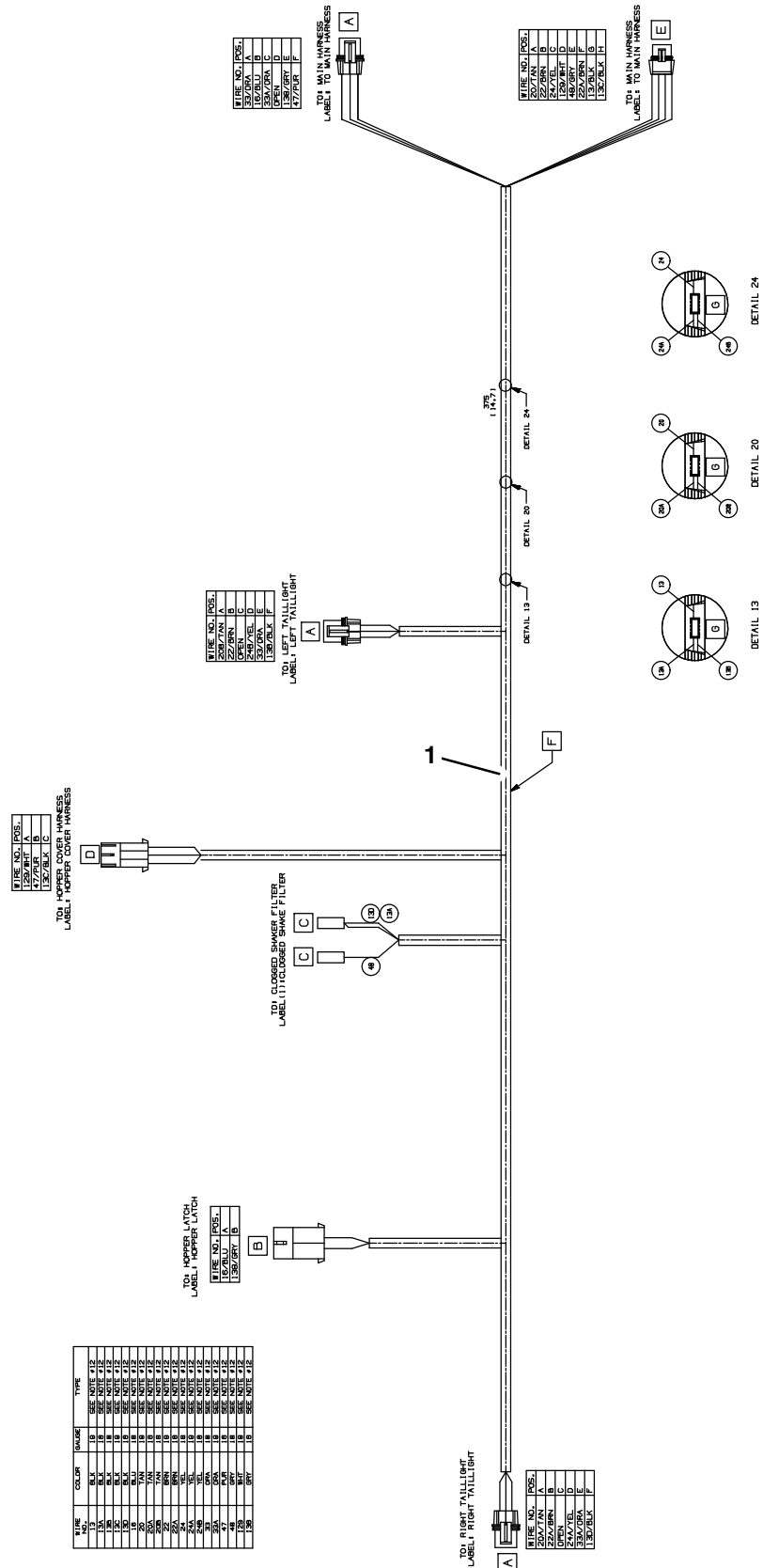


Fig. 60 – Electrical Wire Harness Group, Headlight



Ref.	Part No.	Serial Number	Description	Qty.
1	1024141	(008000-) Harness, Headlight [M20 And T20]	1

Fig. 61 – Electrical Wire Harness Group, Hopper

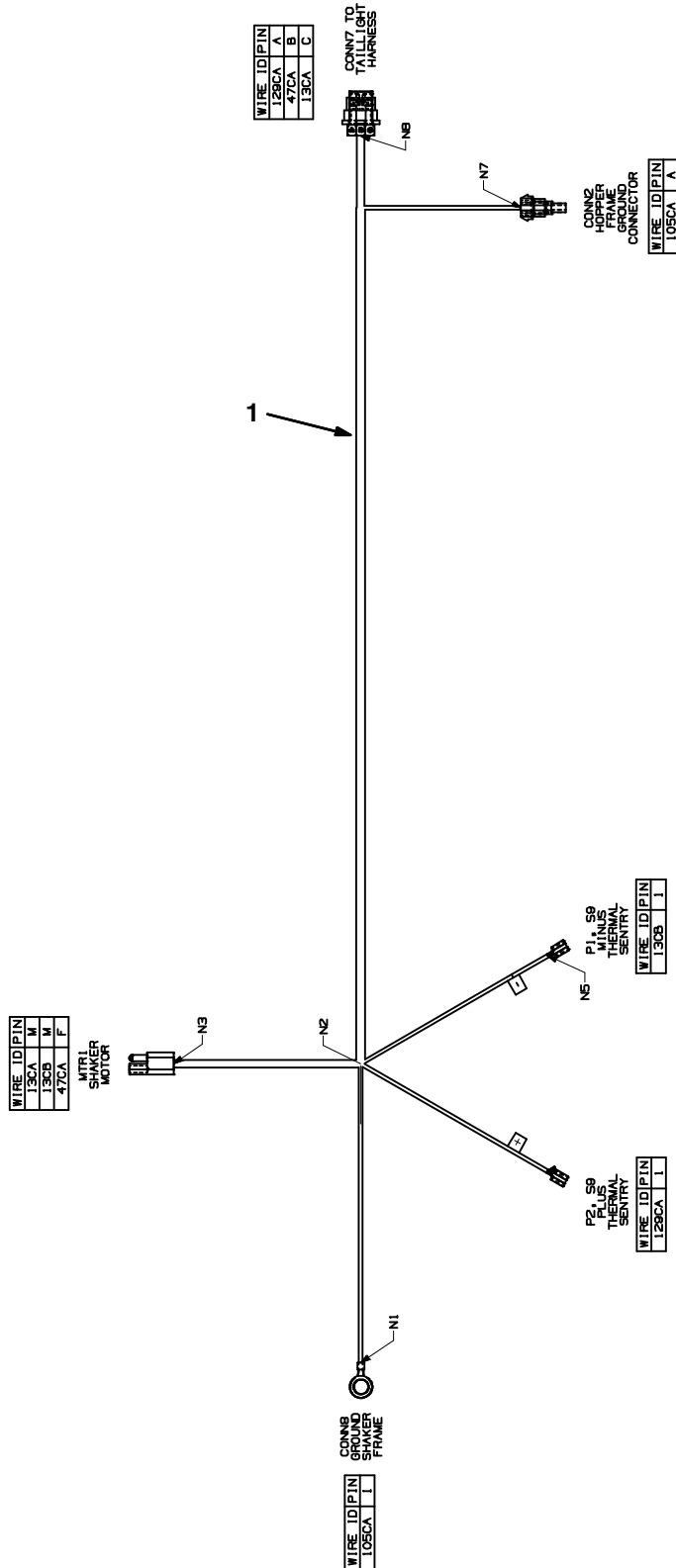


356253 – M20, M30

Ref.	Part No.	Serial Number	Description	Qty.
1	1075080	(008000–)	Harness, Hppr, Ele [M20/M30]	1

STANDARD PARTS

Fig. 62 – Electrical Wire Harness Group, Hopper Cover



354389-354459

Ref.	Part No.	Serial Number	Description	Qty.
1	1064370	(008000–)	Harness, Hppr, Cover [M20]	1

Fig. 63 – Label Group

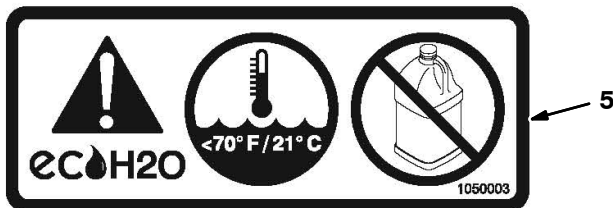
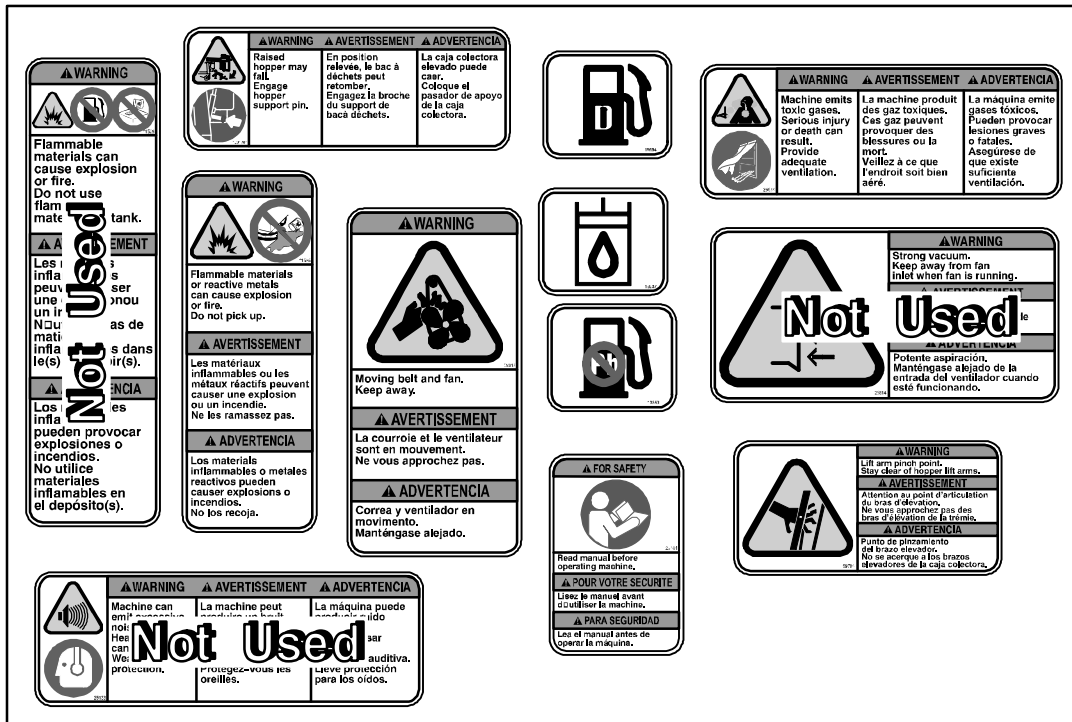
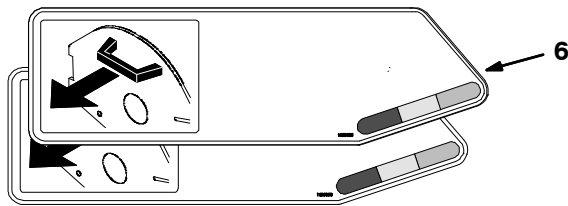


Fig. 63 – Label Group



M20 – D

Ref.	Part No.	Serial Number	Description	Qty.
1	77221	(008000–)	Label Set, Info/Hzrd, Swpr / Scrbr	1
2	1017141	(008000–)	Label Set, Hi Temp	1
3	1065343	(008000–)	Label, Logo, 05.75L 2Color [ES]	3
4	1065342	(008000–)	Label, Logo, 07.95L 2Color [FaST]	3
5	1050003	(008000–)	Label [User, Attention, ec-H2O]	2
6	1031017	(008000–)	Label Set, Brush Indicator & Removal	1
7	1032450	(008000–)	Label Set, Info/Hzrd, Swpr / Scrbr, Tj (Japan Only)	1
8	1064662	(008000–)	Label, Model, 2Color [M20]	2
9	1062813	(008000–)	Label, Logo, 12.3L 4Color [ec-H2O]	1
10	1064440	(008000–)	Label, Logo, 16.9L 4Color [ec-H2O]	1

SECTION 3

Contents	Page
Fig. 1 – ES Pump Group	3-2
Fig. 2 – ES Tanks Group	3-4
Fig. 3 – Side Brush Motor Group	3-6
Fig. 4 – Side Brush Lift Group	3-8
Fig. 5 – Side Brush Solution Control Group	3-10
Fig. 6 – Side Brush Hydraulic Valve Group	3-12
Fig. 7 – Side Brush Hydraulic Hose Group	3-14
Fig. 8 – FaST Pumps and Detergent Group ...	3-16
Fig. 9 – FaST Solution Supply Group	3-18
Fig. 10 – FaST Solution Supply Group with Side Brush	3-20
Fig. 11 – FaST Wire Harness Group	3-22
Fig. 12 – ec-H2O Solution Pump Group	3-24
Fig. 13 – ec-H2O Solution Pump Supply Group .	3-26
Fig. 14 – ec-H2O Solution Supply Group	3-28
Fig. 15 – ec-H2O Solution Supply Group with Side Brush	3-30
Fig. 16 – ec-H2O Wire Harnesses Group	3-32
Fig. 17 – Backup Alarm Kit	3-35
Fig. 18 – Light Kit, Flashing	3-36
Fig. 19 – Light Kit, Strobe	3-37
Fig. 20 – Light Kit, Flashing Overhead Guard ..	3-38
Fig. 21 – Light Kit, Strobe Overhead Guard	3-39
Fig. 22 – Overhead Guard Kit	3-40
Fig. 23 – Telemetry Group	3-42
Fig. 24 – Vacuum Wand Kit	3-44
Fig. 25 – Spray Nozzle Kit	3-46
Fig. 26 – Transport Kit	3-48
Fig. 27 – Squeegee Guard Kit	3-50
Fig. 28 – Pressure Washer Mount Group	3-52
Fig. 29 – Pressure Washer Solution Group	3-54
Fig. 30 – Pressure Washer Hydraulic Hoses Group	3-56
Fig. 31 – Wet Dust Control Hopper Cover Group (010900-)	3-58
Fig. 32 – Fire Extinguisher Kit	3-60
Fig. 33 – Frame Tie Down and Tow Group	3-61
Fig. 34 – Rear Squeegee Guard Group	3-62
Fig. 35 – Front Cover Latch Group	3-64
Fig. 36 – Documentation Group (Online Only) ..	3-66

Fig. 1 - ES Pump Group

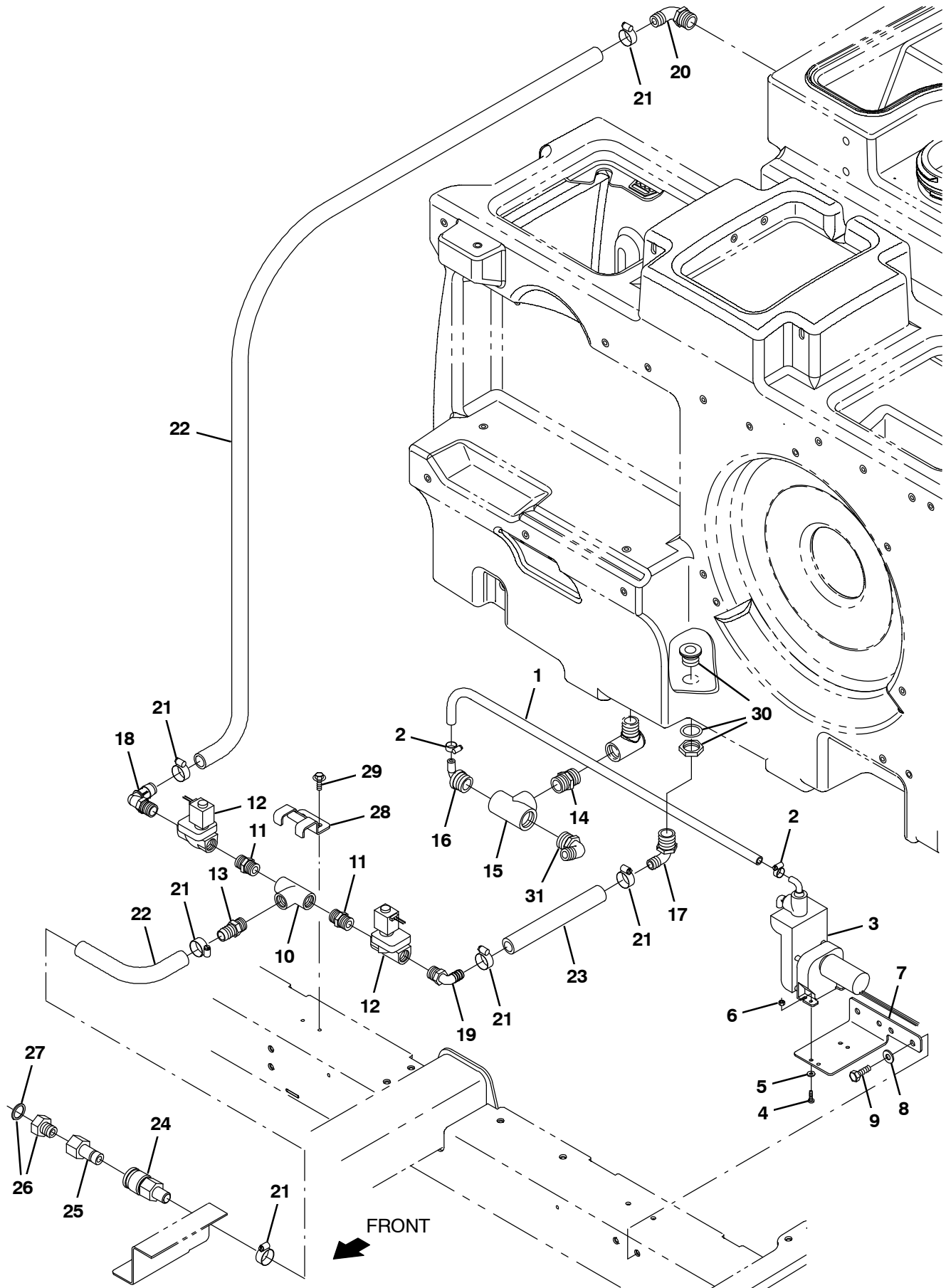


Fig. 1 – ES Pump Group

Ref.	Part No.	Serial Number	Description	Qty.	
1	41295	(008000–) Hose, Pvc, Clr, 0.38id 0.56od 48.00l	1	
2	43844	(008000–) Clamp, Hose, Wormdrive, 0.25–0.62d, .31w	2	
3	73260	(008000–) Pump, Detgt, 14vdc, 150ml/Min 20psi (See Breakdowns)	1	
4	24265	(008000–) Screw, Pan, M4 X 0.7 X 16, Ss	2	
5	01683	(008000–) Washer, Flat, #10, Ss	2	
6	33932	(008000–) Nut, Hex, Lock, M4 X 0.7, NI, Ss	2	
7	1021325	(008000–) Bracket, Mtg, Valve	1	
8	01685	(008000–) Washer, Flat, 0.31, Ss	2	
9	09740	(008000–) Screw, Hex, M8 X 1.25 X 20, Ss	2	
10	79497	(008000–) Fitting, Plstc, Tee, Pf08/Pf08/Pf08	1	
11	86508	(008000–) Fitting, Plstc, Str, Pm08/Pm08	2	
12	73433	(008000–) Valve, Water, Solenoid, 12vdc 0.08pf	2	
13	78398	(008000–) Fitting, Plstc, Str, Bm12/Pm08, Nyl	1	
14	24544	(008000–) Fitting, Plstc, Str, Pm12/Pm12 1.60l	1	
15	42133A	(008000–) Fitting, Plstc, Tee, Pf12/Pf12/Pf12	1	
16	79484	(008000–) Fitting, Plstc, E90, Bm06/Pm12, Nyl	1	
17	73468	(008000–) Fitting, Plstc, E90, Bm10/Pm12	1	
18	63244–2	(008000–) Fitting, Plstc, E90, Bm12/Pm08	1	
19	630371	(008000–) Fitting, Plstc, E90, Bm10/Pm08	1	
20	14877	(008000–) Fitting, Plstc, E90, Bm12/Pm12	1	
21	63810	(008000–) Clamp, Hose, Wormdrive, 0.56–1.06d, .56w	6	
22	1015045	(008000–) Hose, Afmkt, Pvc, Brd 0.75id 08ft	1	
23	369811	(008000–) Hose, Pvc, Brd, 0.62id 0.88od 09.00l	1	
24	24105	(008000–) Fitting, Brs, Qdc, Bm12/Qf08	1	
25	33295	(008000–) Fitting, Brs, Qdc, Pf08 [Parker Bh3f]	1	
▽	26	375322	(008000–) Fitting Kit, Hose, Garden	1
▲	27	01316	(008000–) Washer, Flat, 0.66b 1.00d .12, Rbr	1
	28	1016837	(008000–) Bracket, Mtg, Valve	1
	29	361339	(008000–) Screw, Hex, M6 X 1.0 X 16, Fmg	2
	30	377349	(008000–) Fitting, Plstc, Pf12/Pf12, Bh	1
	31	73468	(008000–) Fitting, Plstc, E90, Bm10/Pm12	1

Fig. 2 - ES Tanks Group

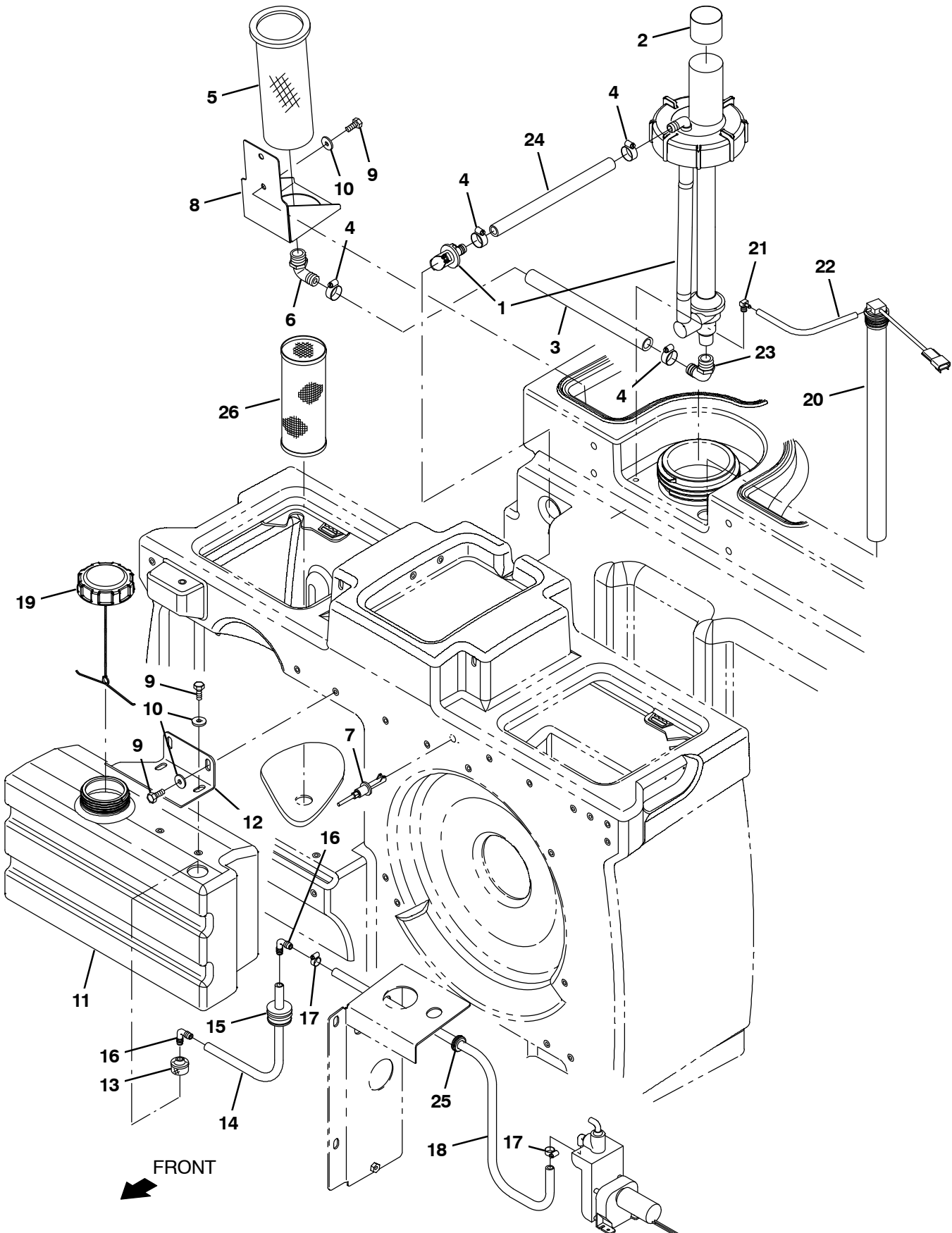


Fig. 2 – ES Tanks Group

Ref.	Part No.	Serial Number	Description	Qty.
1	1021210	(008000–) Pump Assy, Column, Es (See Breakdowns)	1
2	1028697	(008000–) Sleeve, Rbr, 3.50b 3.58d 1.8l	1
3	1015048	(008000–) Hose, Afmkt, Pvc, Brd 0.75id 01ft	1
4	63810	(008000–) Clamp, Hose, Wormdrive, 0.56–1.06d, .56w	4
5	386652	(008000–) Strainer, Soltn, 20 Mesh, Cyl 3.5d 9.5l	1
6	24543	(008000–) Fitting, Plstc, E90, Bm12/Pf12	1
7	385685	(008000–) Sensor, Level, Liq, 14vdc 01a .62–11	1
8	1019636	(008000–) Bracket, Mtg, Strainer	1
9	09740	(008000–) Screw, Hex, M8 X 1.25 X 20, Ss	6
10	1017218	(008000–) Washer, Flat, 0.32b 1.00d .12, Ss	6
11	1022229	(008000–) Tank, Detgt, Trimmed	1
12	1025159	(008000–) Bracket, Mtg, Detgt And Spray Wand	1
13	20952	(008000–) Screen, Pump	1
14	1014974	(008000–) Hose, Afmkt, Pvc, Brd 0.38id 02ft	1
15	20944	(008000–) Grommet, Pye, 0.37id, F/1.5h, .13 Matl	1
16	20951	(008000–) Fitting, Plstc, E90, Bm06/Bm06	2
17	43844	(008000–) Clamp, Hose, Wormdrive, 0.25–0.62d, .31w	2
18	41295	(008000–) Hose, Pvc, Clr, 0.38id 0.56od 48.00l	1
19	1011885	(008000–) Cap, Tank	1
20	1072877	(008000–) Switch Assy, Press, 3.0, 17.5l Tube	1
21	32183	(008000–) Fitting, Brs, E90, Pm02/Bm03	1
22	1031572	(008000–) Hose, Afmkt, Vacuum, 0.16id, 01ft	1
23	14877	(008000–) Fitting, Plstc, E90, Bm12/Pm12	1
24	1015033	(008000–) Hose, Afmkt, Pvc, Brd 0.62ld, 01Ft, Clr	1
25	10632–2	(008000–) Grommet, Rbr, 0.62id, F/0.9h, .12 Matl	1
26	1039019	(008000–) Filter, Soltn, 020mesh, Pm12 3.2d 08.0l	1

Fig. 3 – Side Brush Motor Group

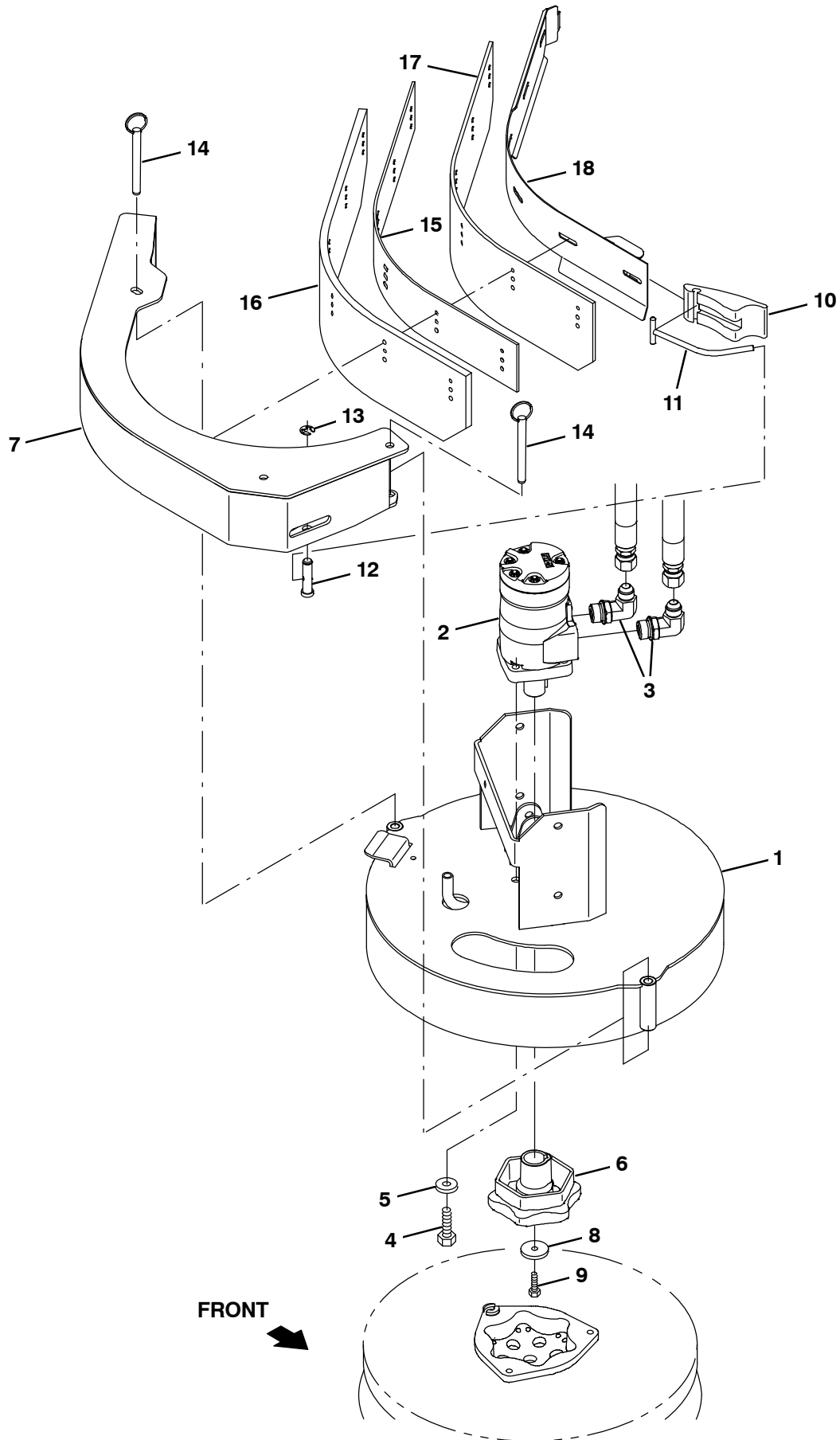


Fig. 3 – Side Brush Motor Group

Ref.	Part No.	Serial Number	Description	Qty.
	1	1047002	(008000–) Bracket Wldt, Mtg, Side Brush Fixed	1
▽	2	1068812	(008000–) Motor, Hyd, Gear, Int 08.9 Bi-Dir 2500	1
▲		22615	(008000–) Seal Kit, Motor [CI]	1
	3	56821	(008000–) Fitting, Hyd, E90, Jm08/Om10	2
	4	01762	(008000–) Screw, Hex, .38–16 X 0.75, NI	4
	5	32492	(008000–) Washer, Flat, 0.38 Std	4
	6	1042968	(008000–) Hub, Drive, Brush, Disk, 1.00b [6t]	1
	7	1046976	(008000–) Bumper Wldt, Brush, Side	1
	8	19191	(008000–) Spacer	1
	9	25046	(008000–) Screw, Hex, .25–20 X 1.00, 5	1
	10	1222020	(008000–) Cam, Front, Yel	1
	11	386298	(008000–) Pin Wldt, Front	1
	12	21603	(008000–) Pin, Grvd, 0.43d 01.8l [303ss]	1
	13	24555	(008000–) Ring, Retaining, Ext, 0.38d, [E-Ring]	1
	14	369359	(008000–) Pin, Hitch, .375d X 3.12l, PI	2
	15	1046995	(008000–) Spacer, Sqge, Side Brush	1
	16	1046980	(008000–) Blade, Sqge, Side Brush, Linatex	1
	16	1059091	(008000–) Blade, Sqge, Side Brush, Urethane	1
	17	1047238	(008000–) Blade, Sqge, Side Brush, Linatex	1
	17	1059092	(008000–) Blade, Sqge, Side Brush, Urethane	1
	18	1047060	(008000–) Plate Wldt, Retainer, Sqge	1

Fig. 4 - Side Brush Lift Group

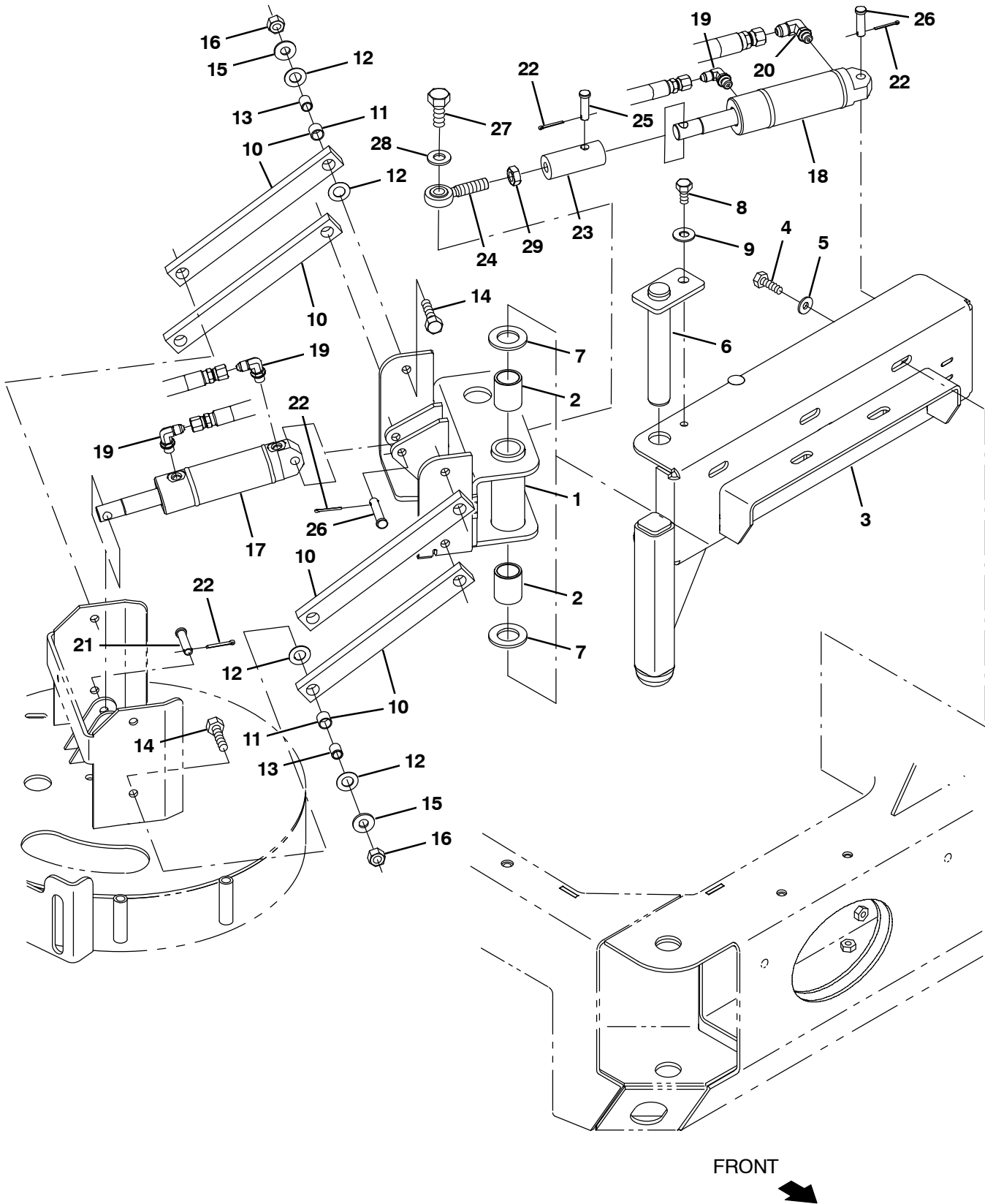


Fig. 4 – Side Brush Lift Group

Ref.	Part No.	Serial Number	Description	Qty.
1	1021439	(008000–) Pivot Wldt, Brush, Side	1
2	71868	(008000–) Bushing, Sleeve, 1.00b 1.13d 1.50l, Fgl	2
3	1021473	(008000–) Channel Wldt, Pivot	1
4	09010	(008000–) Screw, Hex, M8 X 1.25 X 25, Ss	5
5	41186	(008000–) Washer, Flat, Belleville, .31	5
6	1021617	(008000–) Pin Wldt	1
7	71869	(008000–) Washer, Thrust, 1.00b 1.75d 0.13w, Fbr	2
8	16735	(008000–) Screw, Hex, M8 X 1.25 X 16, 8.8	1
9	32491	(008000–) Washer, Flat, 0.31, Std	1
▽	10	63175–1	(008000–) Arm, Link	4
▲	11	63233	(008000–) Bushing, Sleeve, 0.50b 0.59d 0.50l, Bnz	2
	12	59633	(008000–) Bearing, Thrust, 0.53b 1.00d 0.03w	16
	13	1027926	(008000–) Sleeve, P/M, 0.37b 0.50d 0.6l [430ss]	8
	14	36845	(008000–) Screw, Hex, .38–16 X 1.50, Ss	8
	15	01685	(008000–) Washer, Flat, 0.31, Ss	8
	16	59156	(008000–) Nut, Hex, Lock, .38–16, NI, Ss	8
	17	1038137	(008000–) Cylinder, Hyd, 1.5b 07.8l 02.80strk 2500	1
	18	1038115	(008000–) Cylinder, Hyd, 1.5b 07.8l 02.75strk 2500	1
	19	77097	(008000–) Fitting, Hyd, E90, Jm04/Om04	3
	20	77098	(008000–) Fitting, Hyd, E90, Jm06/Om04	1
	21	29558	(008000–) Pin, Clevis, 0.37d X 1.50l	1
	22	08179	(008000–) Pin, Cotter, .094 X 1.00	4
	23	1021564	(008000–) Adapter, Rod–End, Side Brush	1
	24	71874	(008000–) Rod–End, .50–20rh Mal 0.50b	1
	25	29557	(008000–) Pin, Clevis, 0.37d X 1.31l	1
	26	17461	(008000–) Pin, Clevis, 0.37d X 1.75l	2
	27	41346	(008000–) Screw, Hex, M12 X 1.75 X 30, 8.8	1
	28	32486	(008000–) Washer, Flat, 0.50 Sae	1
	29	48985	(008000–) Nut, Hex, Jam, .50–20	1

Fig. 5 – Side Brush Solution Control Group

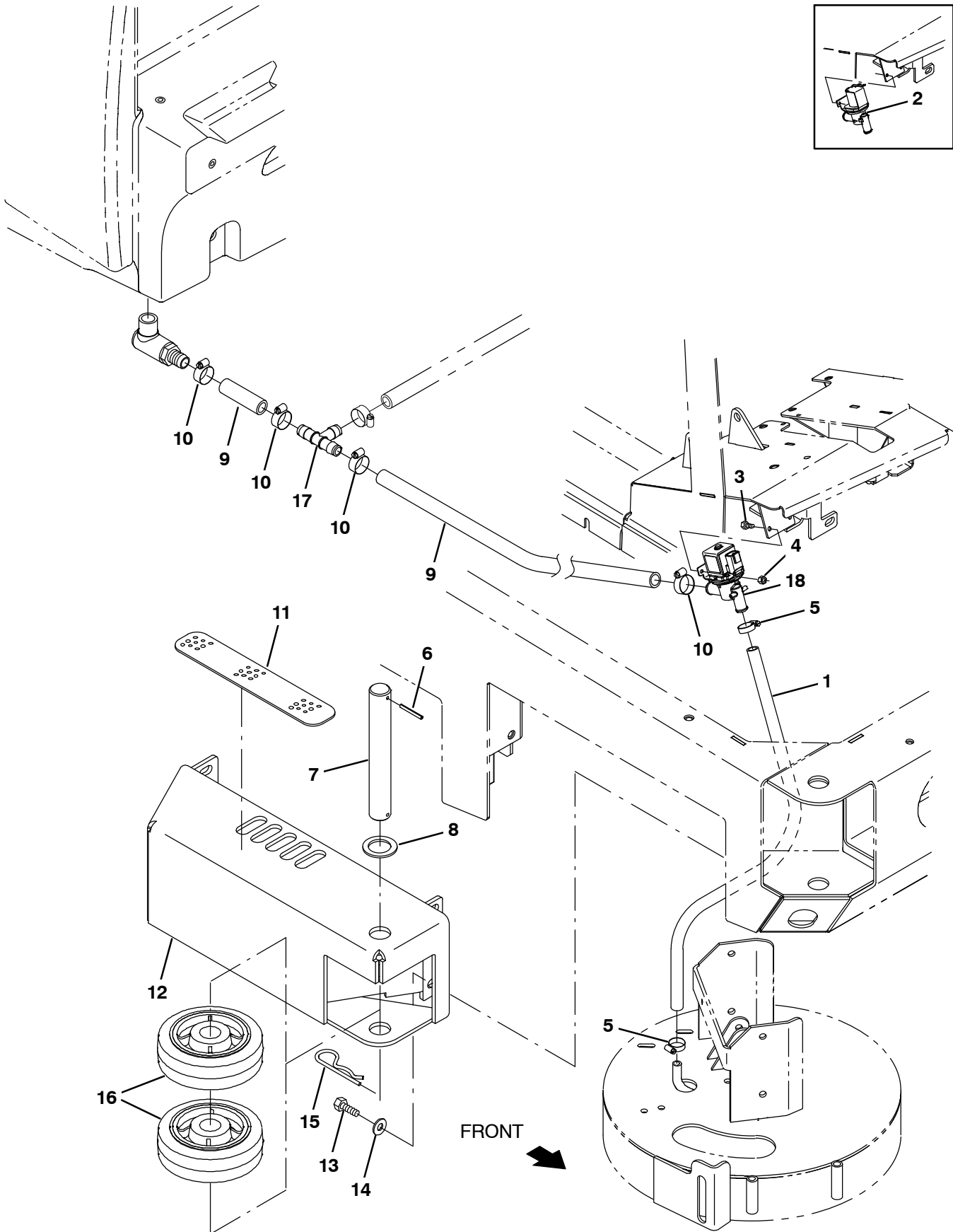


Fig. 5 – Side Brush Solution Control Group

Ref.	Part No.	Serial Number	Description	Qty.
1	50178	(008000–) Hose, Pvc, Clr, 0.50id 0.69od 26.00l	1
2	9016494	(008000–010490) Valve Kit, Replacement 12v St Flow	1
3	09738	(008000–) Screw, Hex, M5 X 0.8 X 12, Ss	2
4	09739	(008000–) Nut, Hex, Lock, M5 X 0.8, NI, Ss	2
5	54333	(008000–) Clamp, Hose, Wormdrive, 0.31–0.88d, .31w	2
6	23146	(008000–) Pin, Roll, .187d X 1.62l, .187/.192	1
7	1053838	(008000–) Pin, 30mmd X 215mml	1
8	47719	(008000–) Washer, Flat, 1.26b 1.88d .13, Stl	1
9	1015032	(008000–) Hose, Afmkt, Pvc, Brd 0.62id 08ft	1
10	63810	(008000–) Clamp, Hose, Wormdrive, 0.56–1.06d, .56w	4
11	82839	(008000–) Tread, Non–Skid, 02.2w 11.5l	1
12	1022318	(008000–) Guard Wldt, Brush, Side	1
13	12317	(008000–) Screw, Hex, M10 X 1.5 X 30, Ss	4
14	01686	(008000–) Washer, Flat, 0.44b 1.00d .08, Ss	4
15	34411	(008000–) Pin, Cotter, Hair, 1.00d .178 Wir	1
16	1060130	(008000–) Wheel, 06.0D 2.00W 1.19B, Gray Rbr	2
17	1062116	(008000–) Fitting, Plstc, Tee, Bm10/Bm10/Bm10, Nyl	1
18	1075241	(010491–) Valve Assy, Water, Solenoid, 12vdc	1

Fig. 6 – Side Brush Hydraulic Valve Group

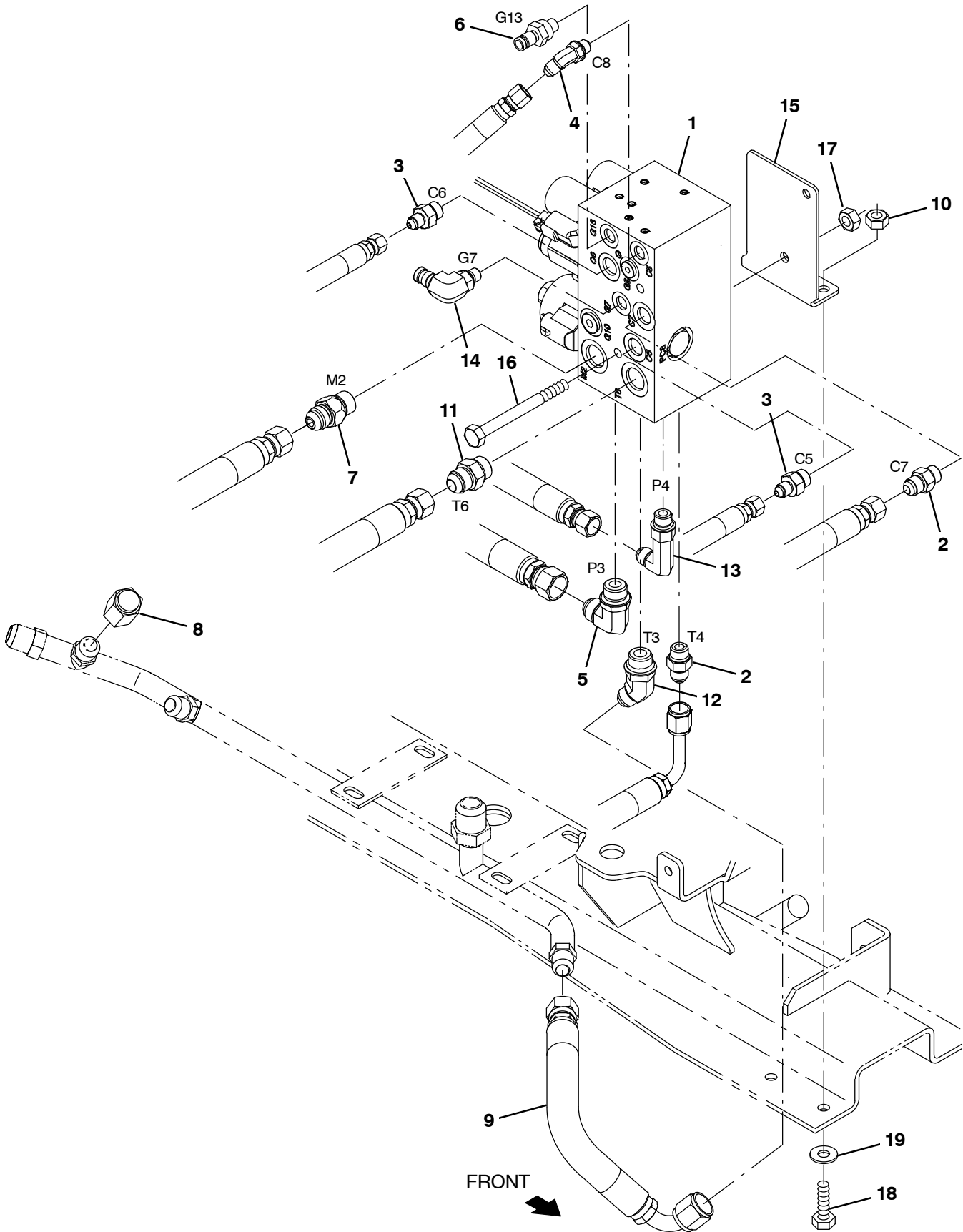


Fig. 6 – Side Brush Hydraulic Valve Group

Ref.	Part No.	Serial Number	Description	Qty.
1	1072997	(008000–) Valve, Cntrl, Hyd, Solenoid, 03/16gpm (See Breakdowns)	1
2	56690	(008000–) Fitting, Hyd, Str, Jm06/Om06	2
3	55685	(008000–) Fitting, Hyd, Str, Jm04/Om06	2
4	34359	(008000–) Fitting, Hyd, E45, Jm04/Om04	1
5	44868	(008000–) Fitting, Hyd, E90, Jm08/Om08	1
6	395973	(008000–) Fitting, Hyd, Str, Om04/Qm04	1
7	1026119	(008000–) Valve, Hyd, Check, Jm08/Om08 5000psi	1
8	60090	(008000–) Fitting, Hyd, Cap, Jf08	1
9	1037011	(008000–) Hose, Hyd, Tc08, Jf08str/Jf08e90, 012.0	1
10	08713	(008000–) Nut, Hex, Lock, M8 X 1.25, NI, Ss	2
11	44869	(008000–) Fitting, Hyd, Str, Jm08/Om08	1
12	42226	(008000–) Fitting, Hyd, E45, Jm08/Om08	1
13	71727	(008000–) Fitting, Hyd, E90, Jf06/Jm06, Long	1
14	395974	(008000–) Fitting, Hyd, E90, Om04/Qm04	1
15	1045272	(008000–) Bracket, Valve, Sba [M20 And T20]	1
16	364441	(008000–) Screw, Hex, M8 X 1.25 X 110, Ss	2
17	08709	(008000–) Nut, Hex, Lock, M8 X 1.25, NI	2
18	09010	(008000–) Screw, Hex, M8 X 1.25 X 25, Ss	2
19	32491	(008000–) Washer, Flat, 0.31, Std	2

Fig. 7 – Side Brush Hydraulic Hose Group

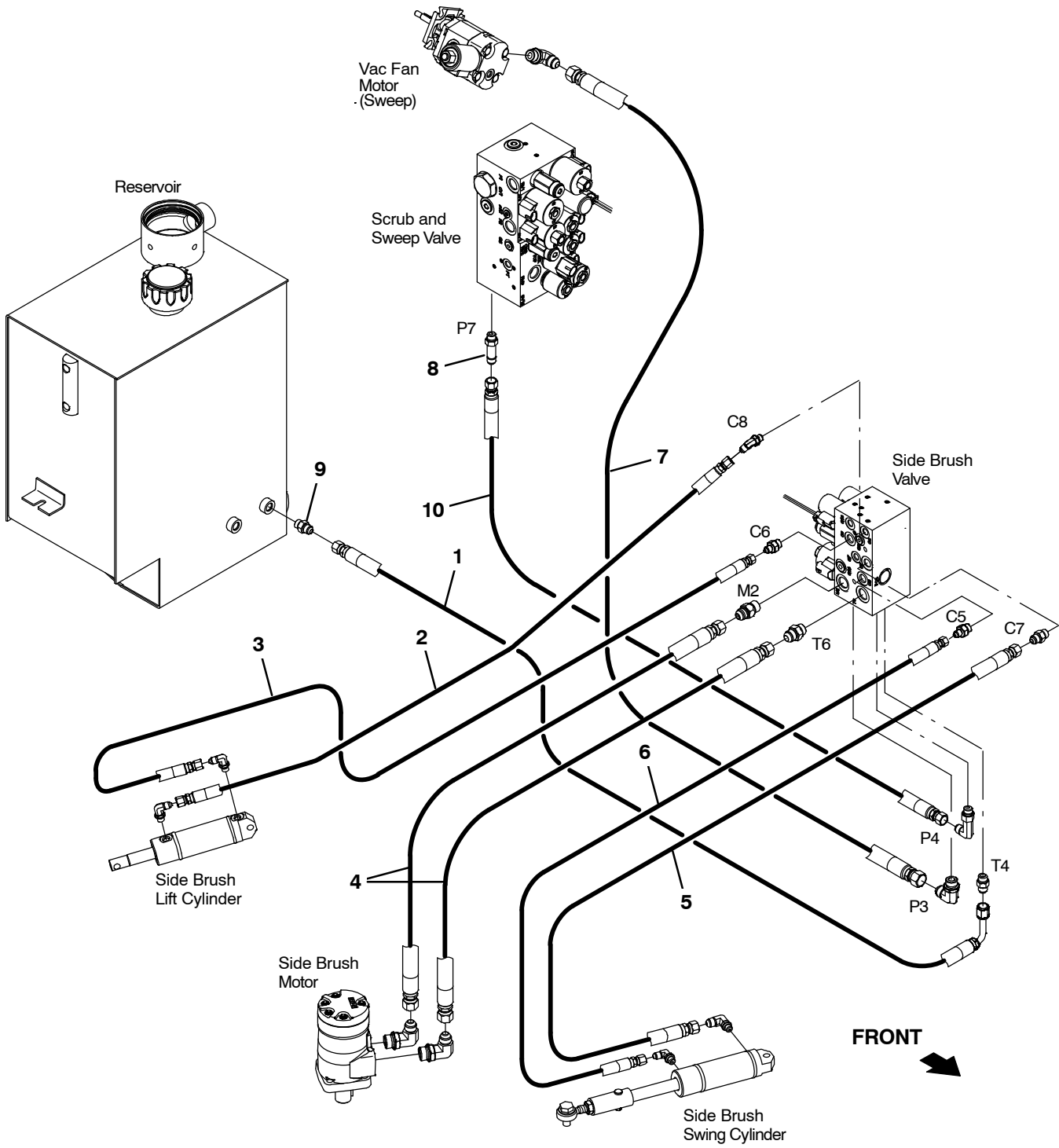


Fig. 7 – Side Brush Hydraulic Hose Group

Ref.	Part No.	Serial Number	Description	Qty.
1	361047	(008000–) Hose, Hyd, Med06, Jf06e90l/Jf06str,038.0	1
2	1023485	(008000–) Hose, Hyd, Tc06, Jf04str/Jf04str, 033.0	1
3	1025990	(008000–) Hose, Hyd, Tc04, Jf04str /Jf04str, 39.0	1
4	1036965	(008000–) Hose, Hyd, Tc08, Jf08str/Jf08str, 034.0	2
5	1025991	(008000–) Hose, Hyd, Tc06, Jf06str /Jf06str, 23.0	1
6	1025992	(008000–) Hose, Hyd, Tc04, Jf04str /Jf04str, 20.0	1
7	1036946	(008000–) Hose, Hyd, Tc08, Jf08str/Jf08str, 084.0	1
8	59577	(008000–) Fitting, Hyd, Str, Jm06/Om06, Long	1
9	56690	(008000–) Fitting, Hyd, Str, Jm06/Om06	1
10	1041389	(008000–) Hose, Hyd, Tc06, Jf06str/Jf06str, 086.0	1

Fig. 8 - FaST Pumps and Detergent Group

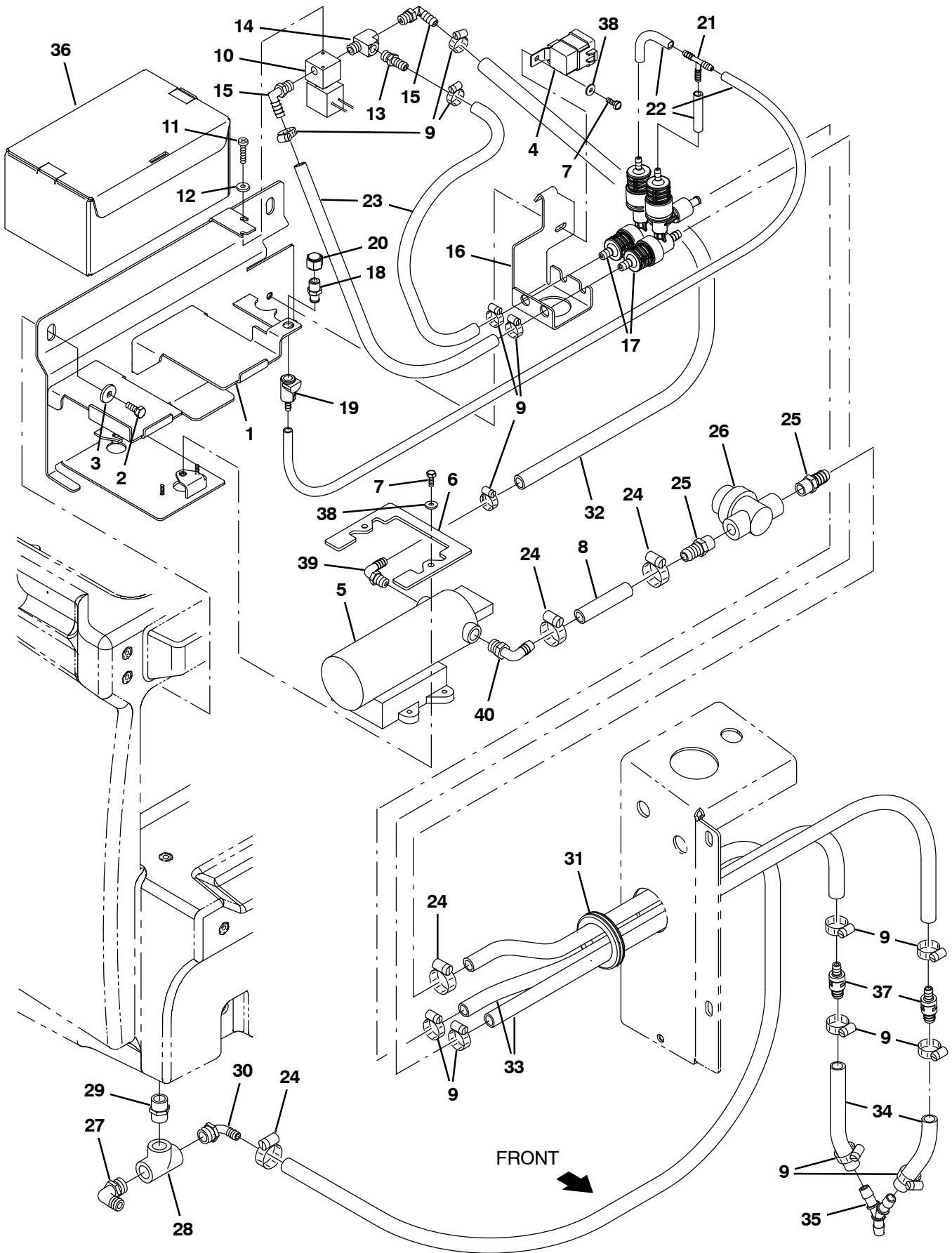


Fig. 8 – FaST Pumps and Detergent Group

Ref.	Part No.	Serial Number	Description	Qty.
1	1044342	(008000–) Bracket Wldt, Mtg [FaST Gen 2+]	1
2	09740	(008000–) Screw, Hex, M8 X 1.25 X 20, Ss	2
3	1017218	(008000–) Washer, Flat, 0.32b 1.00d .12, Ss	2
4	56186	(008000–) Relay, 12vdc, 040a, Spdt No	1
5	1036801	(008000–) Pump, Soltn, 13.7vdc, 65psi [FaST li+]	1
6	1039357	(008000–) Bracket, Retainer, Pump	1
7	15678	(008000–) Screw, Hex, M6 X 1.00 X 16, Ss	3
8	1011403	(008000–) Hose, Afmkt, Pvc, Brd, 0.50ld, 01Ft, Clr	1
9	43844	(008000–) Clamp, Hose, Wormdrive, 0.25–0.62d, .31w	14
10	1018098	(008000–) Valve, Water, Solenoid, 12vdc 6.0mm Pf04	1
11	09200	(008000–) Screw, Pan, Phl, M5 X 0.80 X 12, Ss	2
12	01683	(008000–) Washer, Flat, 10, Ss	2
13	150540	(008000–) Fitting, Plstc, Str, Bm06/Pm04	1
14	150709	(008000–) Fitting, Brs, Tee, Pf04/Pf04/Pm04, Run	1
15	57248	(008000–) Fitting, Plstc, E90, Bm06/Pm04, Nyl	2
16	1044343	(008000–) Bracket, Mtg [FaST Gen 2+]	1
17	9008868	(008000–) FaST Kit, Injector [M20/T20/M30 FaST III] (See Breakdowns)	2
18	1005435	(008000–) Fitting, Plstc, Pipe, Cap, Pf04	1
19	1002898	(008000–) Fitting, Plstc, Str, Bm04, Cplg, Fem	1
20	1002899	(008000–) Fitting, Plstc, Str, Pm04, Cplg, Mal	2
21	150713	(008000–) Fitting, Plstc, Tee, Bm04/Bm04/Bm04	1
22	1014986	(008000–) Hose, Afmkt, Pvc, Clr, 0.25id, 02ft	1
23	1006416	(008000–) Hose, Afmkt, Pvc, Clr, 0.38id, 03ft	1
24	54333	(008000–) Clamp, Hose, Wormdrive, 0.31–0.88d, .31w	8
25	150538	(008000–) Fitting, Plstc, Str, Bm06/Pm06	2
26	1005302	(008000–) Filter, In-Line, Pf06/Pf06 080mesh 02.6l	1
27	73468	(008000–) Fitting, Plstc, E90, Bm10/Pm12	1
28	42133A	(008000–) Fitting, Plstc, Tee, Pf12/Pf12/Pf12	1
29	24544	(008000–) Fitting, Plstc, Str, Pm12/Pm12 1.60l	1
30	1005552	(008000–) Fitting, Plstc, E90, Bm08/Pm12, Nyl	1
31	10632–19	(008000–) Grommet, Rbr, 2.13id, F/2.5h, .12 Matl	1
32	1006400	(008000–) Hose, Afmkt, Pvc, Brd, 0.38id, 03ft, Clr	1
33	1024237	(008000–) Hose, Afmkt, Pvc, Wir, 0.50id, 03ft, Clr	1
34	1014929	(008000–) Hose, Afmkt, Pvc, Clr, 0.38id, 01ft	1
35	1010668	(008000–) Fitting, Plstc, Y, Bm08/Bm08/Bm08, Nyl	1
36	1017022	(008000–) Detergent, Pkg, 2 Liter, Sgl [665]	1
37	1035794	(008000–) Valve, Check, 0005psi Bm06/Bm08	2
38	01684	(008000–) Washer, Flat, 0.27B 0.69D .05, Ss	3
39	1049254	(008000–) Fitting, Nyl, Qdc, E90, Bm08/ Qm10	1
40	1049259	(008000–) Fitting, NylY, Qdc, E90, Bm06/ Qm10	1

Fig. 9 – FaST Solution Supply Group

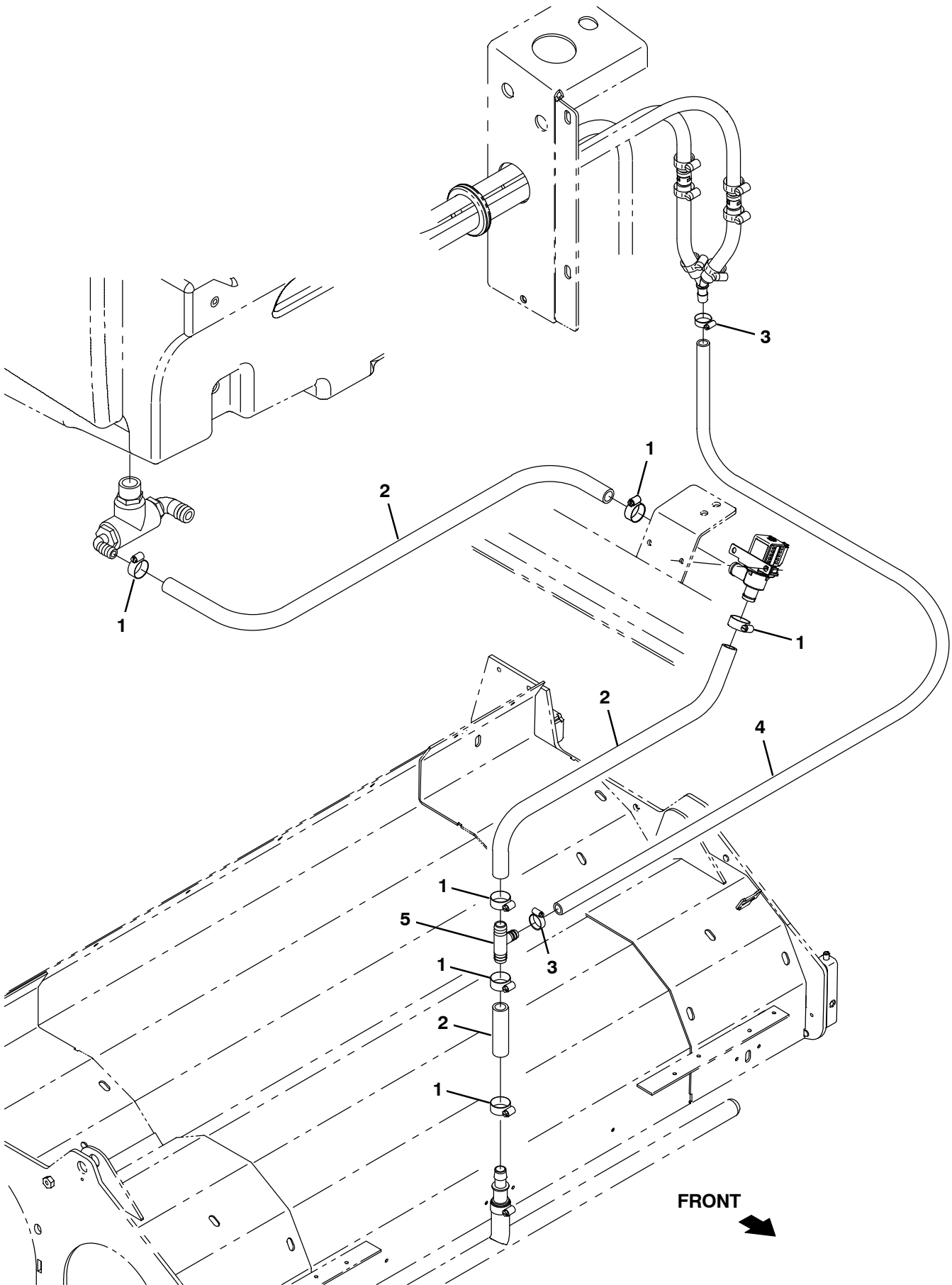


Fig. 9 – FaST Solution Supply Group

Ref.	Part No.	Serial Number	Description	Qty.
1	63810	(008000–) Clamp, Hose, Wormdrive, 0.56–1.06d, .56w	6
2	1015032	(008000–) Hose, Afmkt, Pvc, Brd, 0.62id, 08ft, Clr	1
3	54333	(008000–) Clamp, Hose, Wormdrive, 0.31–0.88d, .31w	2
4	1011412	(008000–) Hose, Afmkt, Pvc, Brd, 0.50id, 08ft, Clr	1
5	1015486	(008000–) Fitting, Plstc, Tee, Bm08/Bm10/Bm10, Br	1

Fig. 10 – FaST Solution Supply Group with Side Brush

Ref.	Part No.	Serial Number	Description	Qty.
1	1010668	(008000–) Fitting, Plstc, Y, Bm08/Bm08/Bm08, Nyl	2
2	54333	(008000–) Clamp, Hose, Wormdrive, 0.31–0.88d, .31w	11
3	1015067	(008000–) Hose, Afmkt, Pvc, Clr, 0.50id, 08ft	1
4	1037825	(008000–) Valve, Solenoid, 12vdc, Water Flow	1
5	09200	(008000–) Screw, Pan, Phl, M5 X 0.80 X 12, Ss	2
6	63810	(008000–) Clamp, Hose, Wormdrive, 0.56–1.06d, .56w	5
7	763116	(008000–) Tie, Cable, Nyl, 15.3l . W 4.5 Max D	1
8	31543	(008000–) Hose, Heater, E90, 0.62id, 24.0 4.0	1
9	1011412	(008000–) Hose, Afmkt, Pvc, Brd, 0.50id, 08ft, Clr	1
10	1030511	(008000–) Plate, Mtg, Valve	1
11	01683	(008000–) Washer, Flat, 10, Ss	2
12	09739	(008000–) Nut, Hex, Lock, M5 X 0.80, NI, Ss	2
13	76099	(008000–) Screw, Hex, M8 X 1.25 X 25, Fmg	1
14	1015486	(008000–) Fitting, Plstc, Tee, Bm08/Bm10/Bm10, Br	1
15	1015026	(008000–) Hose, Afmkt, Pvc, Brd, 0.62id, 03ft, Clr	1

Fig. 11 - FaST Wire Harness Group

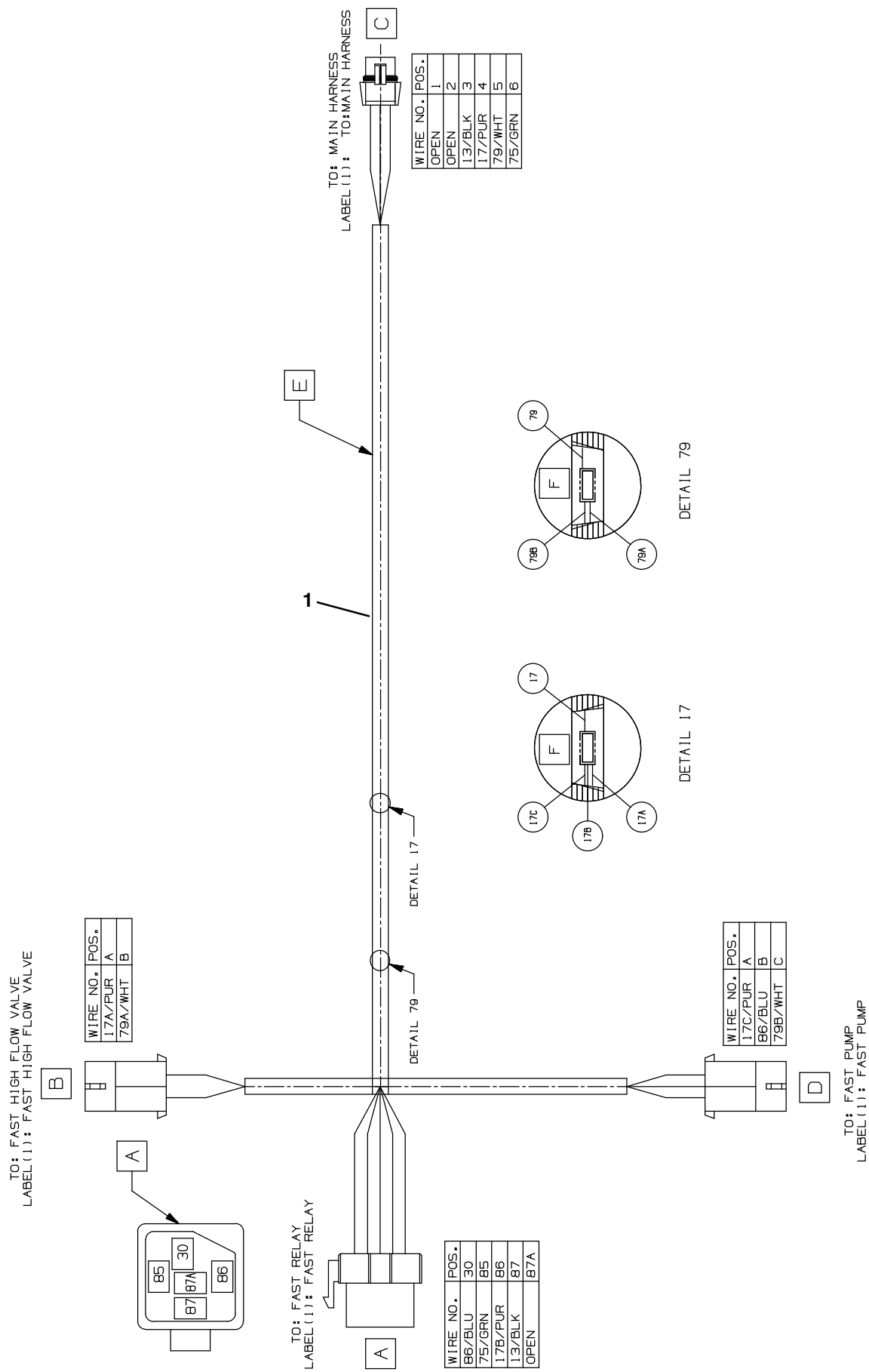


Fig. 11 – FaST Wire Harness Group

Ref.	Part No.	Serial Number	Description	Qty.
1	1075138	(008000–)	Harness, Wire [FaST Gen 2, M20/T20]	1

Fig. 12 – ec-H2O Solution Pump Group

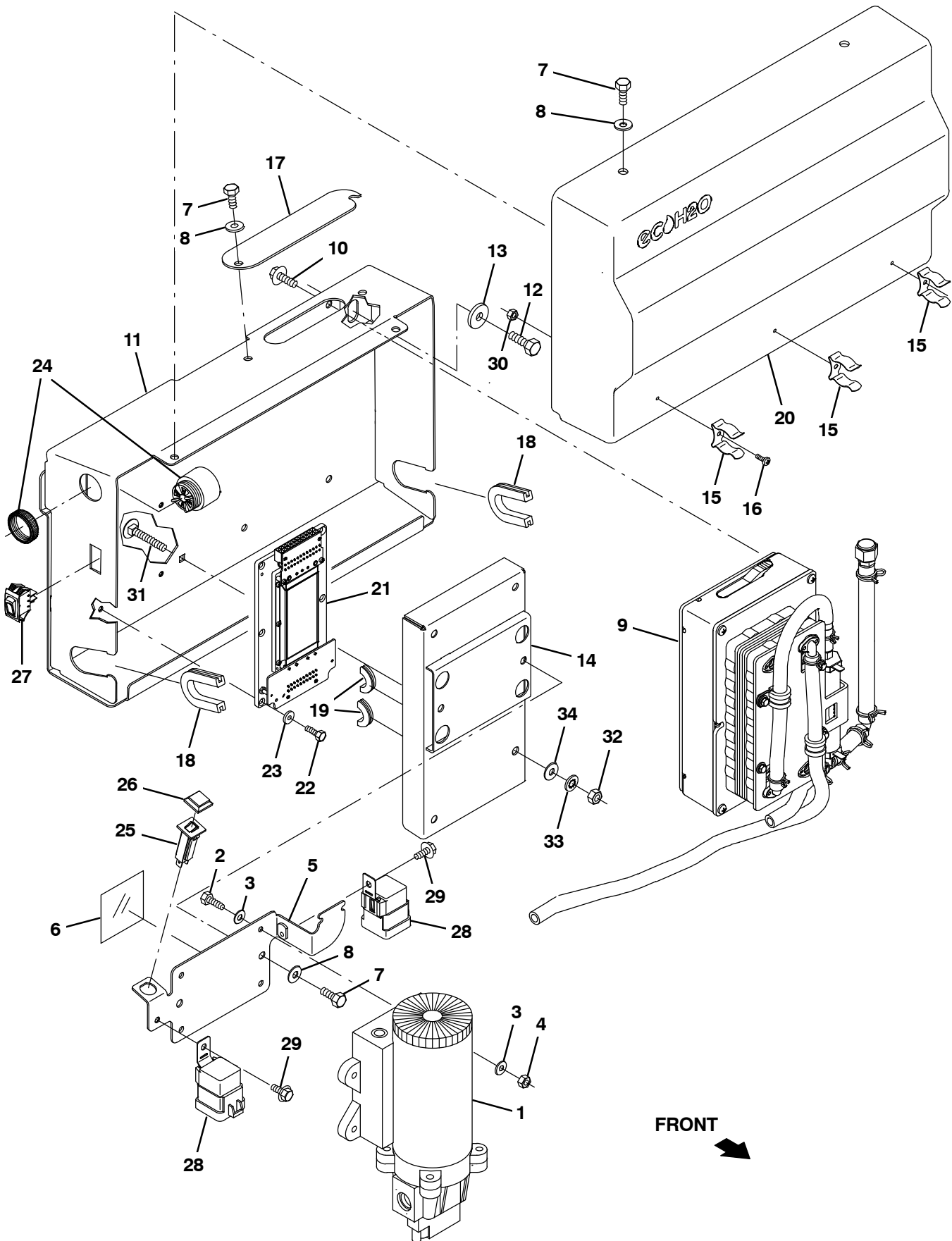


Fig. 12 – ec–H2O Solution Pump Group

Ref.	Part No.	Serial Number	Description	Qty.
1	1060624	(008000–) Pump, Soltn, Ele, 13.7vdc,12/28psi	1
2	09252	(008000–) Screw, Hex, M5 X 0.80 X 20, 8.8	4
3	19066	(008000–) Washer, Flat, 10	8
4	06549	(008000–) Nut, Hex, Lock, M5 X 0.80, NI	4
5	1060273	(008000–) Plate, Mtg, Pump	1
6	1059677	(008000–) Strip, Rbr, 0.06 03.54w 03.5l [Neo/60]	1
7	09744	(008000–) Screw, Hex, M6 X 1.00 X 12, Ss	6
8	01684	(008000–) Washer, Flat, 0.27b 0.69d .05, Ss	6
9	9007882	(008000–) Module Kit, Replmt [Ec–H2O] (See Breakdowns)	1
10	1040467	(008000–) Screw, Hex, M6 X 1.00 X 20, 9.8, Sems	4
11	1060292	(008000–) Plate Wldt, Mtg	1
12	09740	(008000–) Screw, Hex, M8 X 1.25 X 20, Ss	2
13	1017218	(008000–) Washer, Flat, 0.32b 1.00d .12, Ss	2
14	1060185	(008000–) Cover Wldt, Power Supply	1
15	1029057	(008000–) Clip, Grip, Finger, 0.88–1.25d	3
16	12323	(008000–) Screw, Pan, Phl, M4 X 0.70 X 20, Ss	3
17	1060291	(008000–) Plate, Inspection	1
18	1020168	(008000–) Molding, Afmkt, Trim, Pvc, .08 .11, 01Ft	1
19	10632–4	(008000–) Grommet, Rbr, 0.62id, F/0.9h, .06 Matl	1
20	1060719	(008000–) Cover, Trimmed	1
21	1247720	(008000–) Circuitboard Assy [Dc To Dc Conv.]	1
22	09206	(008000–) Screw, Hex, M4 X 0.70 X 12, 8.8	4
23	19065	(008000–) Washer, Flat, 08	4
24	1052726	(008000–) Alarm, 9–48vdc, 95 Db(A) [Ec–H2O]	1
25	1064183	(008000–) Circuitbreaker, 02.0a, Resetable	1
26	1064191	(008000–) Boot, Circuitbreaker	1
27	1044393	(008000–) Switch, Rocker, Spst, Mom	1
28	56186	(008000–) Relay, 12vdc, 040a, Spdt No	2
29	223198	(008000–) Screw, Hex, M5 X 0.80 X 10, Fmg	2
30	33932	(008000–) Nut, Hex, Lock, M4 X 0.70, NI, Ss	3
31	1062804	(008000–) Bolt, Carriage, M06 X 1.00 X 40, 4.6	4
32	41359	(000000) Nut, Hex, Std, M6 X 1.00, 8	4
33	32982	(000000) Washer, Lock, Int, 0.25	4
34	32483	(000000) Washer, Flat, 0.25, Sae	4

Fig. 13 – ec-H2O Solution Pump Supply Group

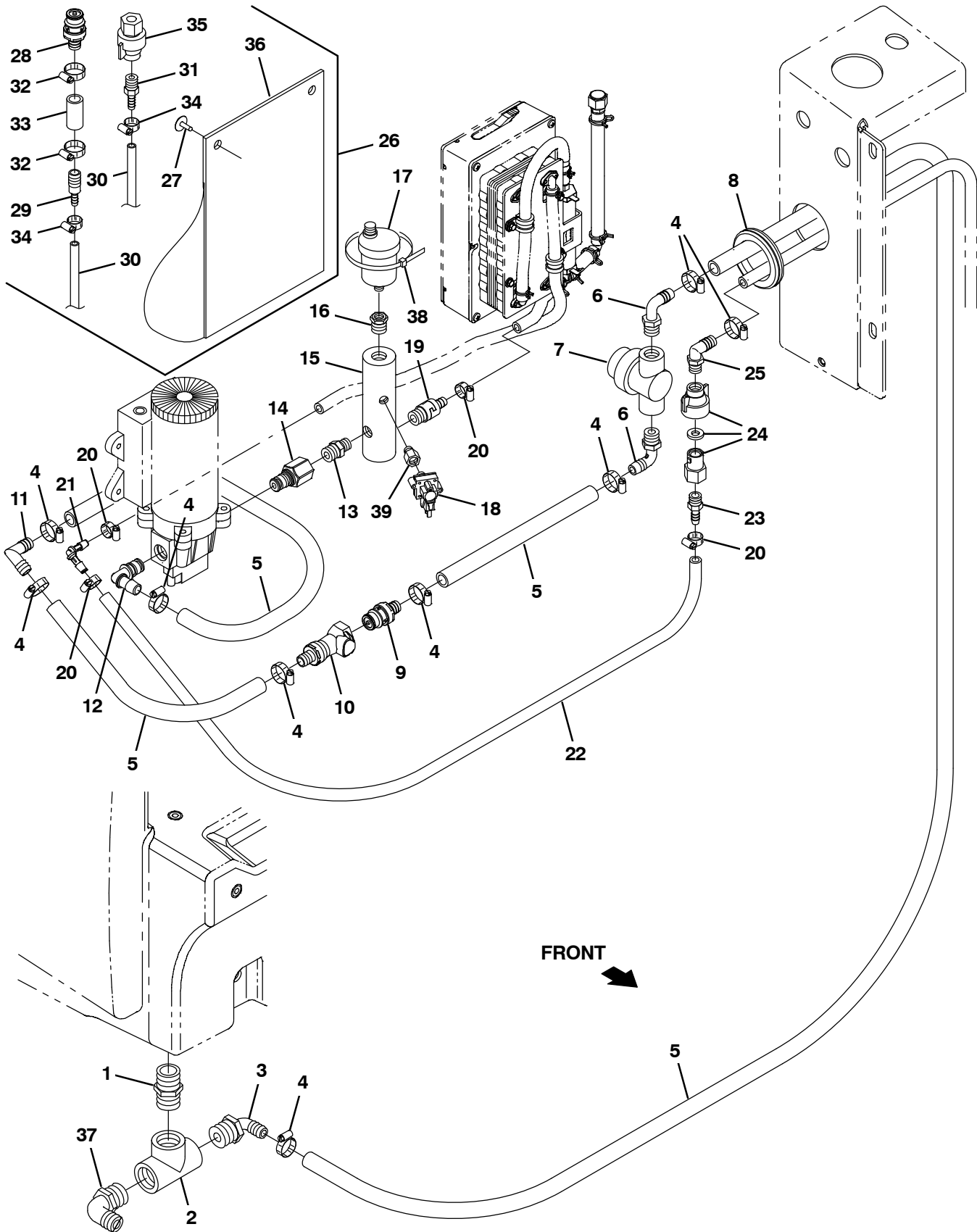


Fig. 13 – ec-H2O Solution Pump Supply Group

Ref.	Part No.	Serial Number	Description	Qty.
1	24544	(008000–) Fitting, Plstc, Str, Pm12/Pm12 1.60l	1
2	42133A	(008000–) Fitting, Plstc, Tee, Pf12/Pf12/Pf12	1
3	1005552	(008000–) Fitting, Plstc, E90, Bm08/Pm12, Nyl	1
4	54333	(008000–) Clamp, Hose, Wormdrive, 0.31–0.88d, .31w	9
5	1011837	(008000–) Hose, Afmkt, Pvc, Brd, 0.50id, 12ft, Clr	1
6	64778	(008000–) Fitting, Plstc, E90, Bm08/Pm06	2
7	1005302	(008000–) Filter, In-Line, Pf06/Pf06 080mesh 02.6l	1
8	10632-19	(008000–) Grommet, Rbr, 2.13id, F/2.5h, .12 Matl	3
9	1017415	(008000–) Insert, Cplg, Qm, Bm08	1
10	1017413	(008000–) Housing, Cplg, Qf / Pm08	1
11	63987-1	(008000–) Fitting, Plstc, E90, Bm08/Bm08	1
12	1049254	(008000–) Fitting, Nyl, Qdc, E90, Bm08/ Qm10	1
13	1059372	(008000–) Fitting, Plstc, Str, Pf06/Qm10, Pvc	1
14	1005219	(008000–) Fitting, Plstc, Str, Pm04/Pm06, Nyl	1
15	1060596	(008000–) Manifold, Water	1
16	24698	(008000–) Fitting, Brs, Str, Pf02/Pm06	1
17	1017386	(008000–) Valve, Vent, Air, Float Type	1
18	1058935	(008000–) Switch, Press, 50 Psi, Pm02	1
19	1060693	(008000–) Valve, Check, 0005psi Pm04/Bm06	1
20	43844	(008000–) Clamp, Hose, Wormdrive, 0.25–0.62d, .31w	4
21	1059391	(008000–) Fitting, Plstc, E90, Bm05/Bm05, Nyl	1
22	1052336	(008000–) Hose, Afmkt, PVC, Brd, 0.31id, 03Ft, Clr	2
23	1052017	(008000–) Fitting, Plstc, Str, Bm05/Pm04	1
24	1071280	(008000–) Fitting Assy, Qdc, Pf04	1
25	65581	(008000–) Fitting, Plstc, E90, Bm08/Pm04	1
▽	26	9014281	(008000–) ec-H2O Kit, Flush, Replmt[M20, M30&T20]	1
▲	27	72968	(008000–) Rivet, Plstc, .250d X 0.90	2
▲	28	1017415	(008000–) Insert, Cplg, Qm, Bm08	1
▲	29	630164	(008000–) Fitting, Plstc, Str, Bm04/Bm08	1
▲	30	1006415	(008000–) Hose, Afmkt, Pvc, Clr, 0.25id, 03ft	2
▲	31	50901	(008000–) Fitting, Plstc, Str, Bm04/Pm04	1
▲	32	54333	(008000–) Clamp, Hose, Wormdrive, 0.31–0.88d, .31w	2
▲	33	1011403	(008000–) Hose, Afmkt, Pvc, Brd, 0.50id, 01ft, Clr	1
▲	34	43844	(008000–) Clamp, Hose, Wormdrive, 0.25–0.62d, .31w	2
▲	35	1071280	(008000–) Fitting Assy, Qdc, Pf04	1
▲	36	48790	(008000–) Pouch	1
	37	73468	(008000–) Fitting, Plstc, E90, Bm10/Pm12	1
	38	49266	(008000–) Tie, Cable, Nyl, 07.3l .19w 1.8 Max D	1
	39	1062403	(008000–) Fitting, Brs, Snubber, Pm02/Pf02	1

Fig. 14 - ec-H2O Solution Supply Group

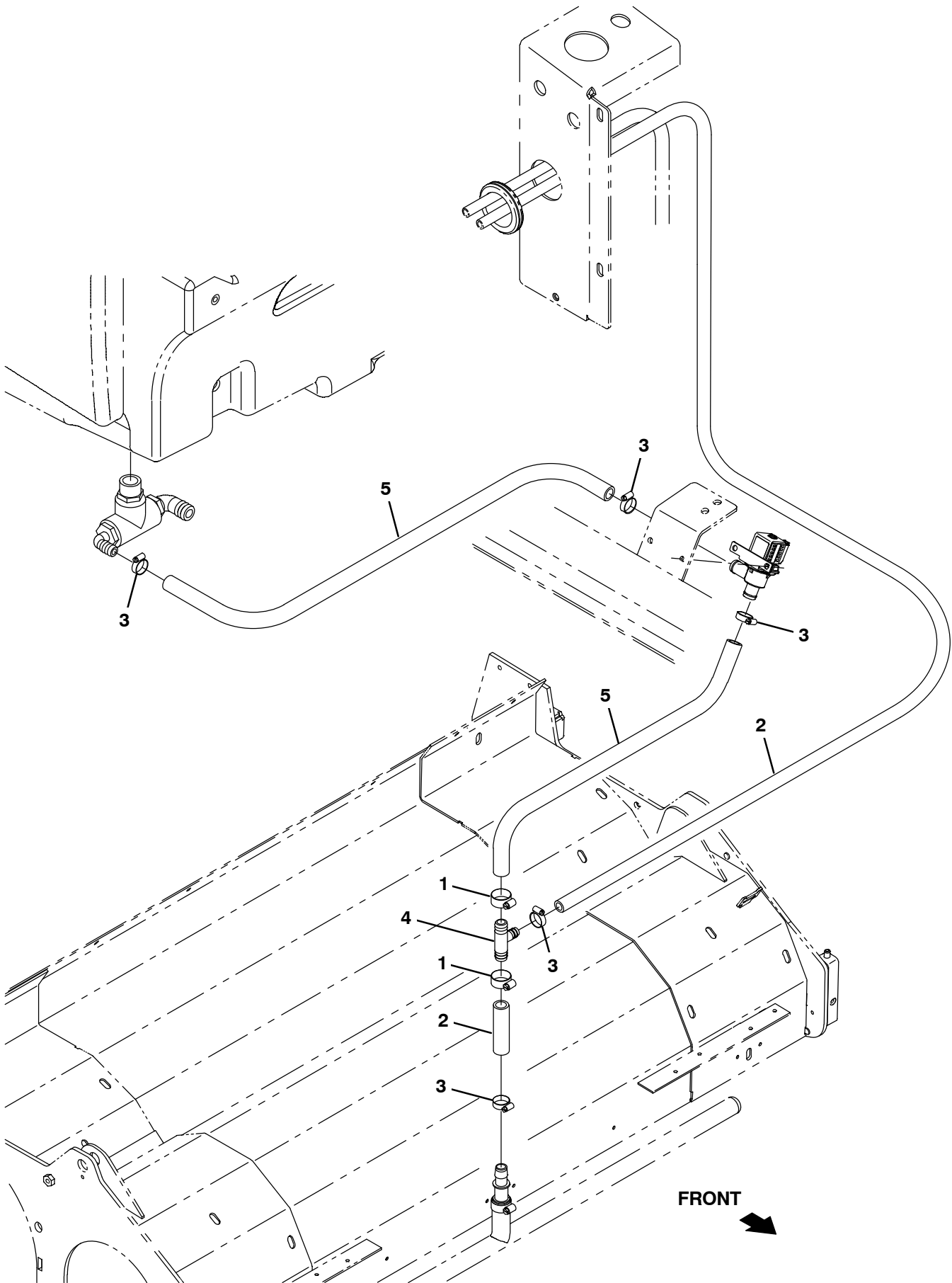


Fig. 14 – ec-H2O Solution Supply Group

Ref.	Part No.	Serial Number	Description	Qty.
1	63810	(008000–) Clamp, Hose, Wormdrive, 0.56–1.06d, .56w	2
2	1011837	(008000–) Hose, Afmkt, Pvc, Brd, 0.50id, 12ft, Clr	1
3	54333	(008000–) Clamp, Hose, Wormdrive, 0.31–0.88d, .31w	5
4	1015486	(008000–) Fitting, Plstc, Tee, Bm08/Bm10/Bm10, Br	1
5	1015032	(008000–) Hose, Afmkt, Pvc, Brd, 0.62id, 08ft, Clr	1

Fig. 15 – ec-H2O Solution Supply Group with Side Brush

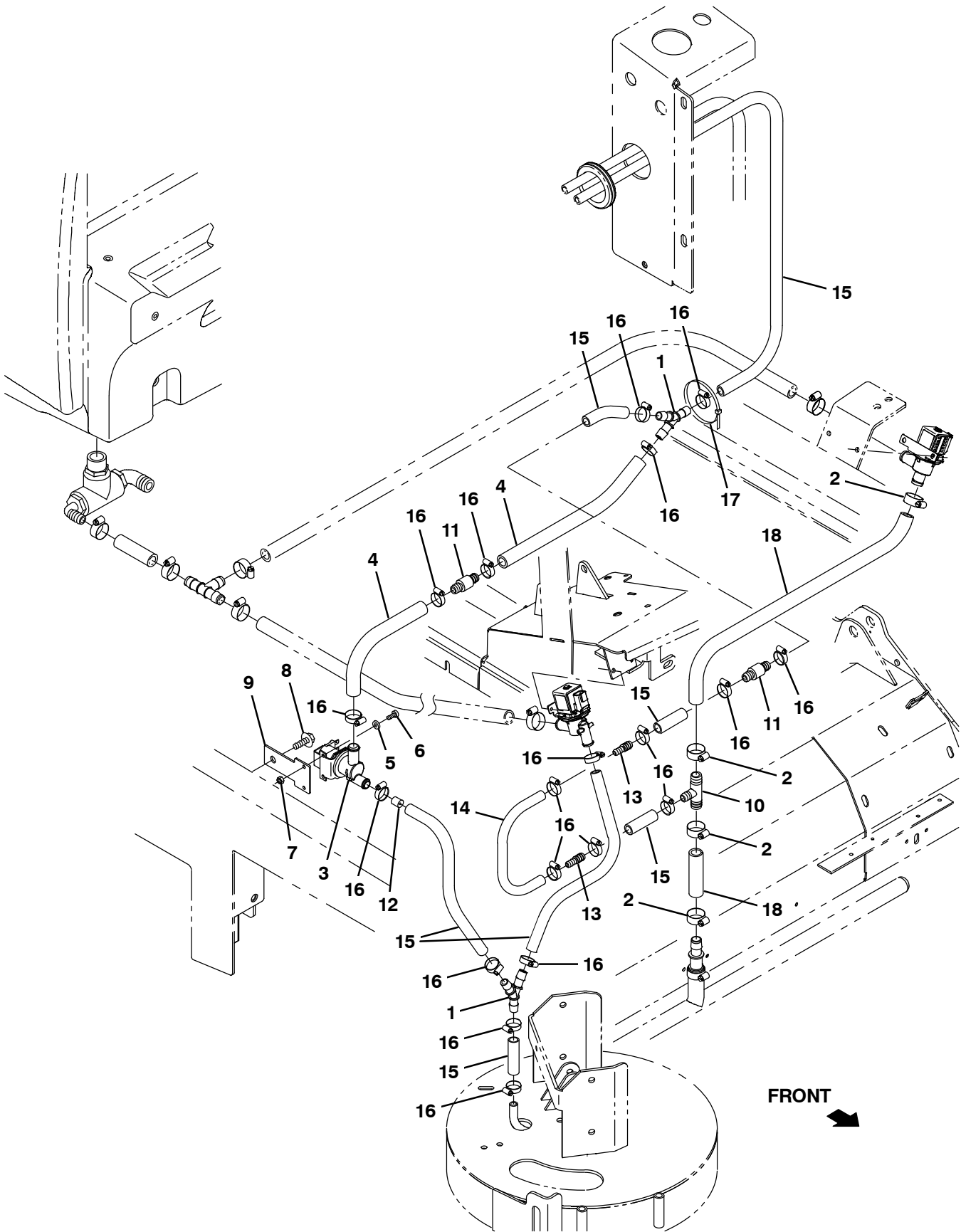


Fig. 15 – ec-H2O Solution Supply Group with Side Brush

Ref.	Part No.	Serial Number	Description	Qty.
1	1010668	(008000–) Fitting, Plstc, Y, Bm08/Bm08/Bm08, Nyl	1
2	63810	(008000–) Clamp, Hose, Wormdrive, 0.56–1.06d, .56w	4
3	1037825	(008000–) Valve Assy, Water, Solenoid, 12vdc	1
4	31543	(008000–) Hose, Heater, E90, 0.62id, 24.0 4.0	1
5	01683	(008000–) Washer, Flat, 10, Ss	2
6	24196	(008000–) Screw, Pan, Phl, M5 X 0.80 X 20, Ss	2
7	09739	(008000–) Nut, Hex, Lock, M5 X 0.80, NI, Ss	2
8	76099	(008000–) Screw, Hex, M8 X 1.25 X 25, Fmg	1
9	1030511	(008000–) Plate, Mtg, Valve	1
10	1015486	(008000–) Fitting, Plstc, Tee, Bm08/Bm10/Bm10, Br	1
11	1010614	(008000–) Valve, Check, 2gpm .5psi Bm08/Bm08	2
12	1061045	(008000–) Plug, Restrictor	1
13	222375	(008000–) Fitting, Plstc, Str, Bm06/Bm08	2
14	1014974	(008000–) Hose, Afmkt, Pvc, Brd, 0.38id, 02ft, Clr	1
15	1011412	(008000–) Hose, Afmkt, Pvc, Brd, 0.50id, 08ft, Clr	1
16	54333	(008000–) Clamp, Hose, Wormdrive, 0.31–0.88d, .31w	18
17	763116	(008000–) Tie, Cable, Nyl, 15.3l . W 4.5 Max D	1
18	1015026	(008000–) Hose, Afmkt, Pvc, Brd, 0.62id, 03ft, Clr	1

Fig. 16 – ec-H20 Wire Harnesses Group

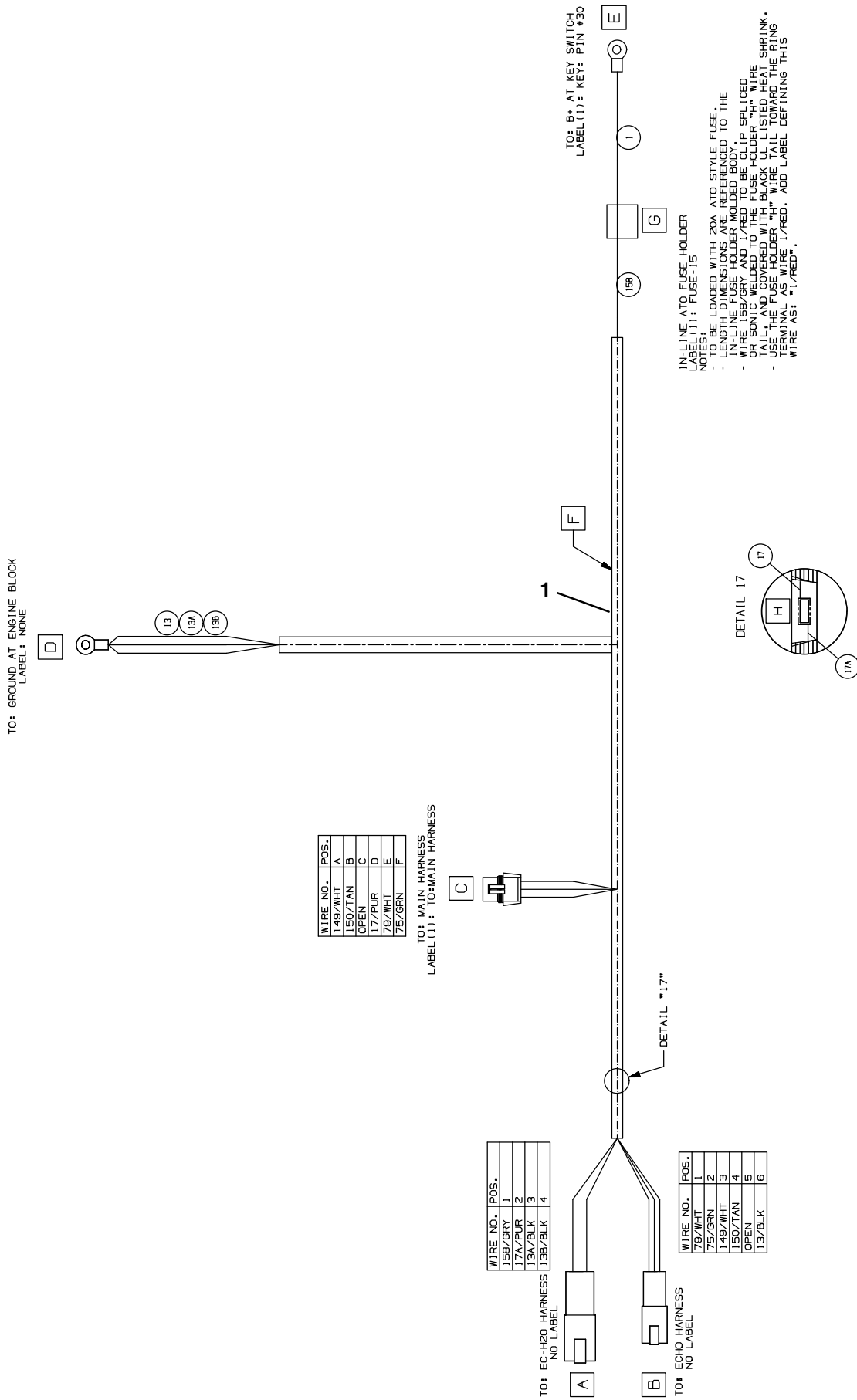


Fig. 16 – ec-H2O Wire Harness Group

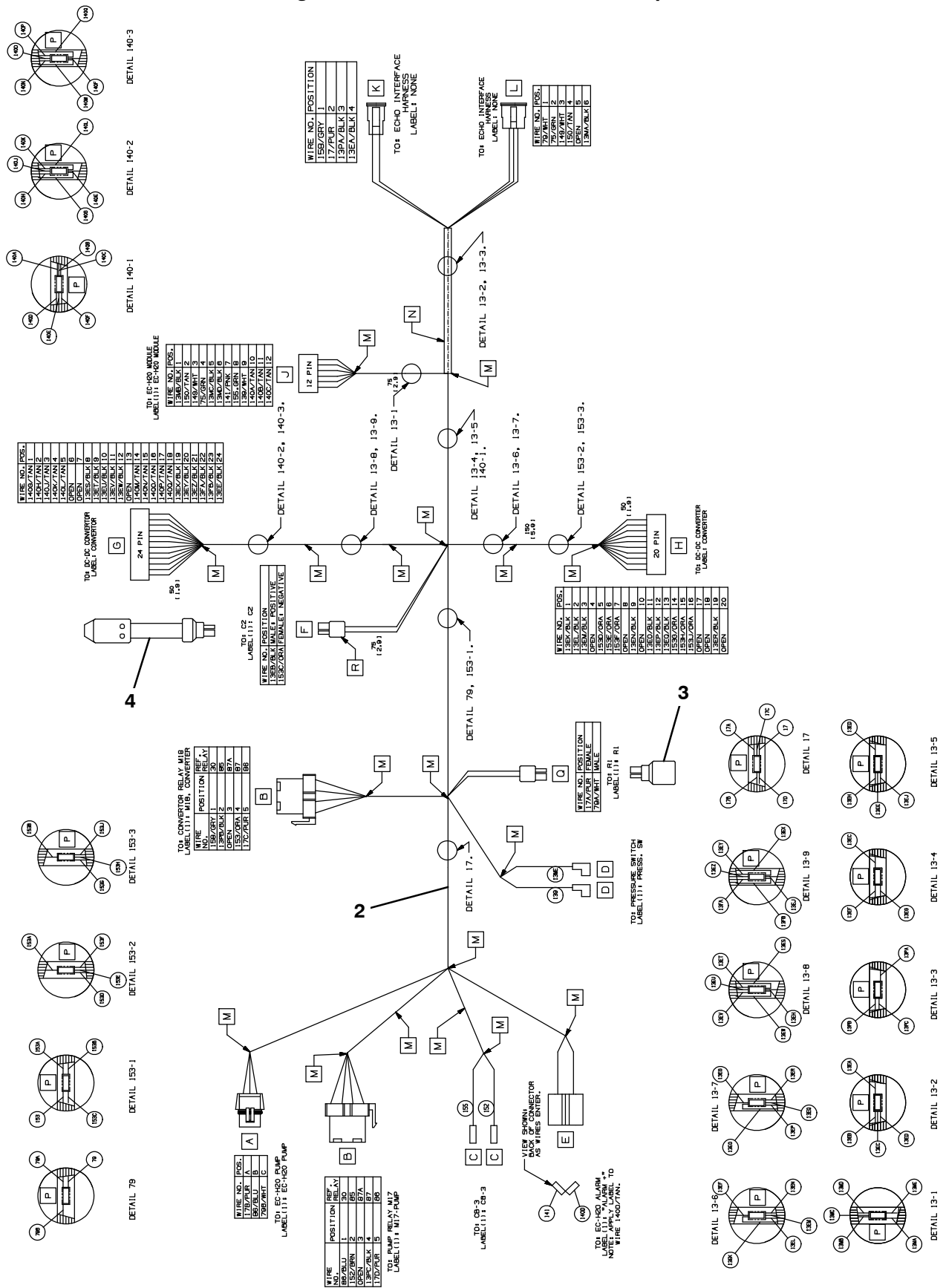
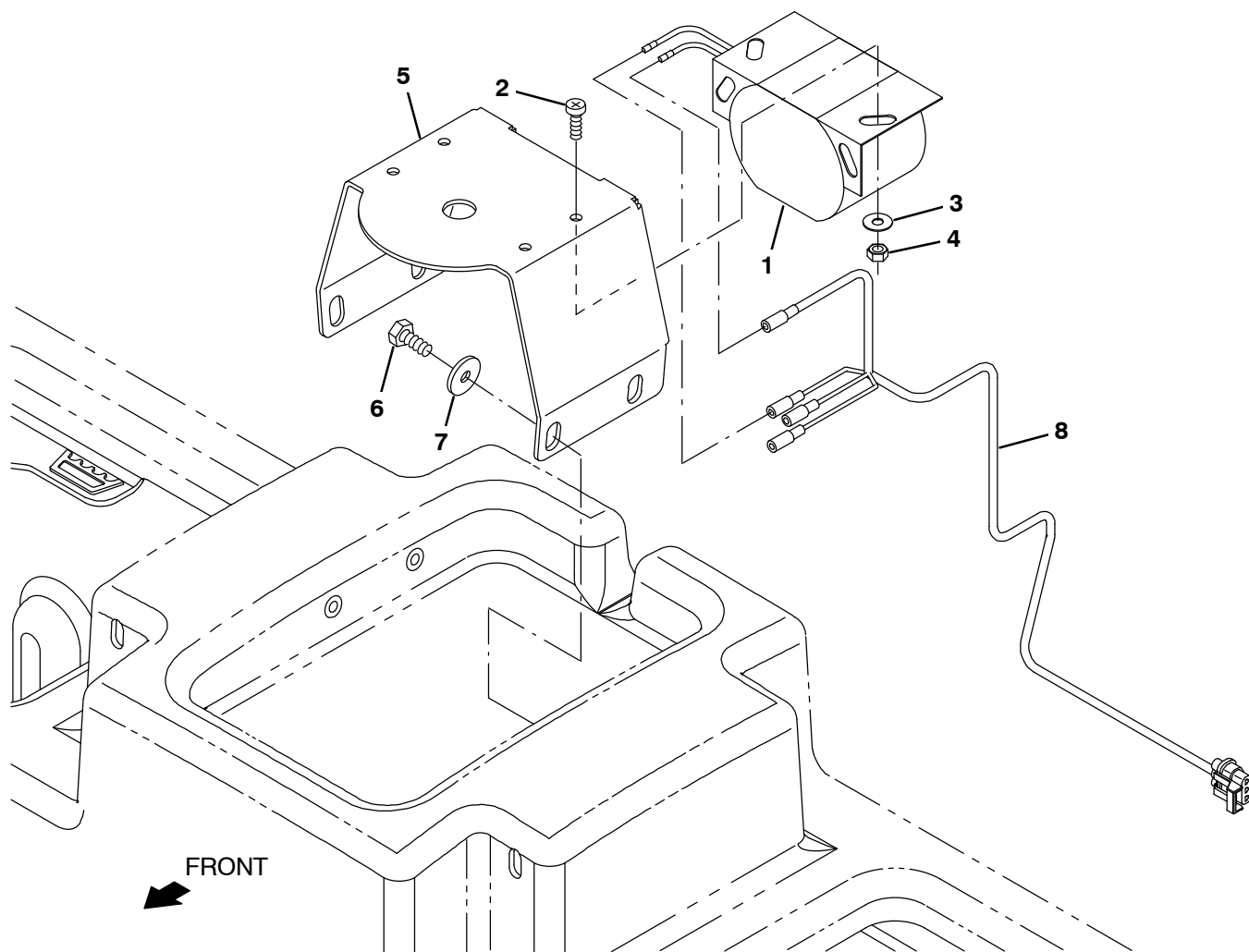


Fig. 16 – ec-H20 Wire Harnesses Group

Ref.	Part No.	Serial Number	Description	Qty.
1	1075140	(008000–) Harness, Ele [Ech2o, Interface]	1
2	1060871	(008000–) Harness, Wire [Ec-H2o]	1
3	1060880	(008000–) Resistor, Ele, Plug [430 , 2w]	1
4	1060881	(008000–) Capacitor, Plug [4700uf, 25v]	1

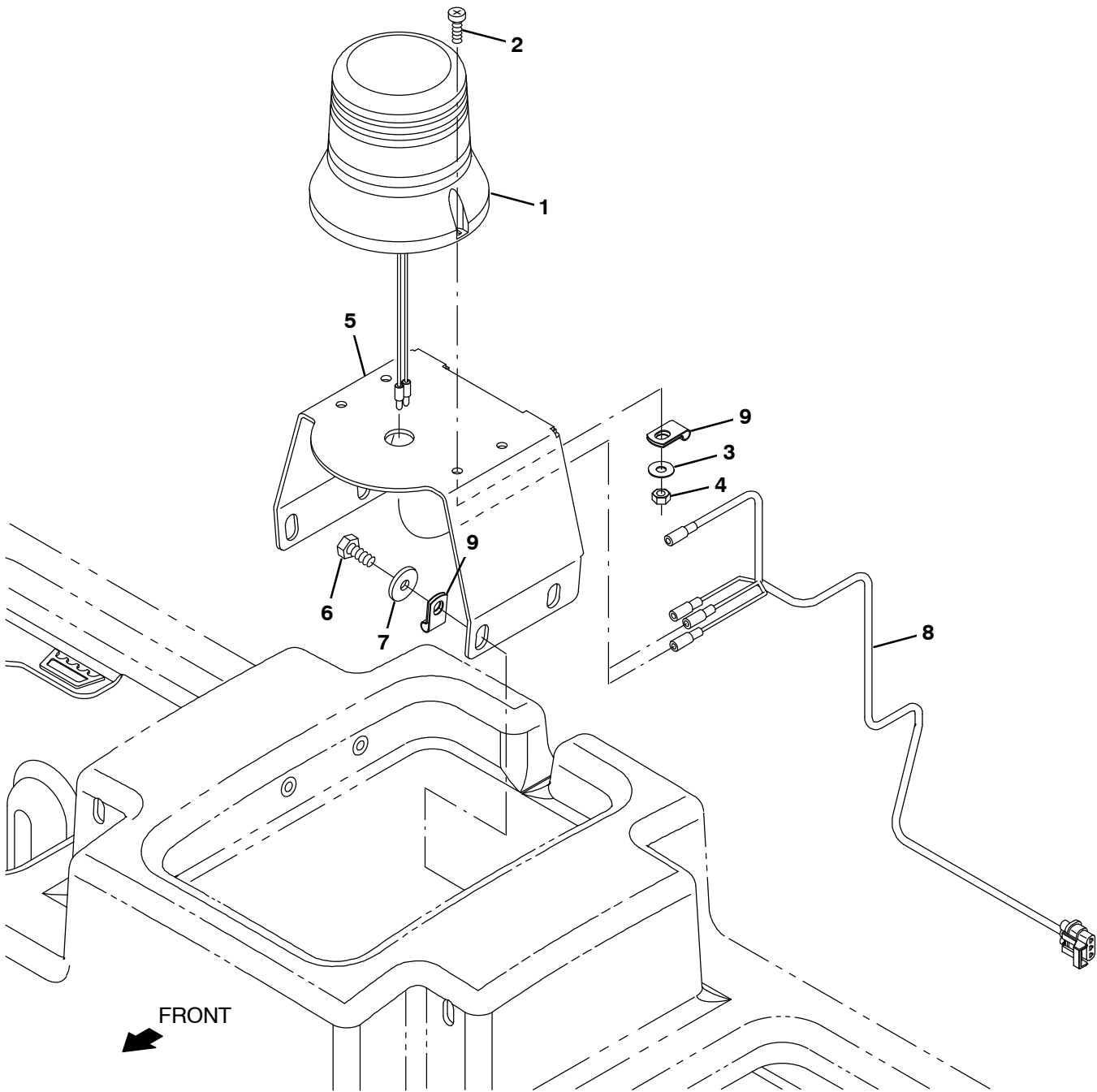
Fig. 17 – Backup Alarm Kit



354473

Ref.	Part No.	Serial Number	Description	Qty.
▽	9001321	(008000–) Alarm Kit, Backup, Ci [M20 And T20]	1
▲	1 9007131	(008000–) Alarm Assy, Backup, 12/48Vdc	1
▲	2 24196	(008000–) Screw, Pan, Phl, M5 X 0.80 X 20, Ss	2
▲	3 19066	(008000–) Washer, Flat, 10	2
▲	4 09739	(008000–) Nut, Hex, Lock, M5 X 0.80, NI, Ss	2
▲	5 1019445	(008000–) Bracket, Sppt, Strobe Light	1
▲	6 09740	(008000–) Screw, Hex, M8 X 1.25 X 20, Ss	4
▲	7 1017218	(008000–) Washer, Flat, 0.32b 1.00d .12, Ss	4
▲	8 1019971	(008000–) Harness, Warning / Backup [M20 & T20]	1

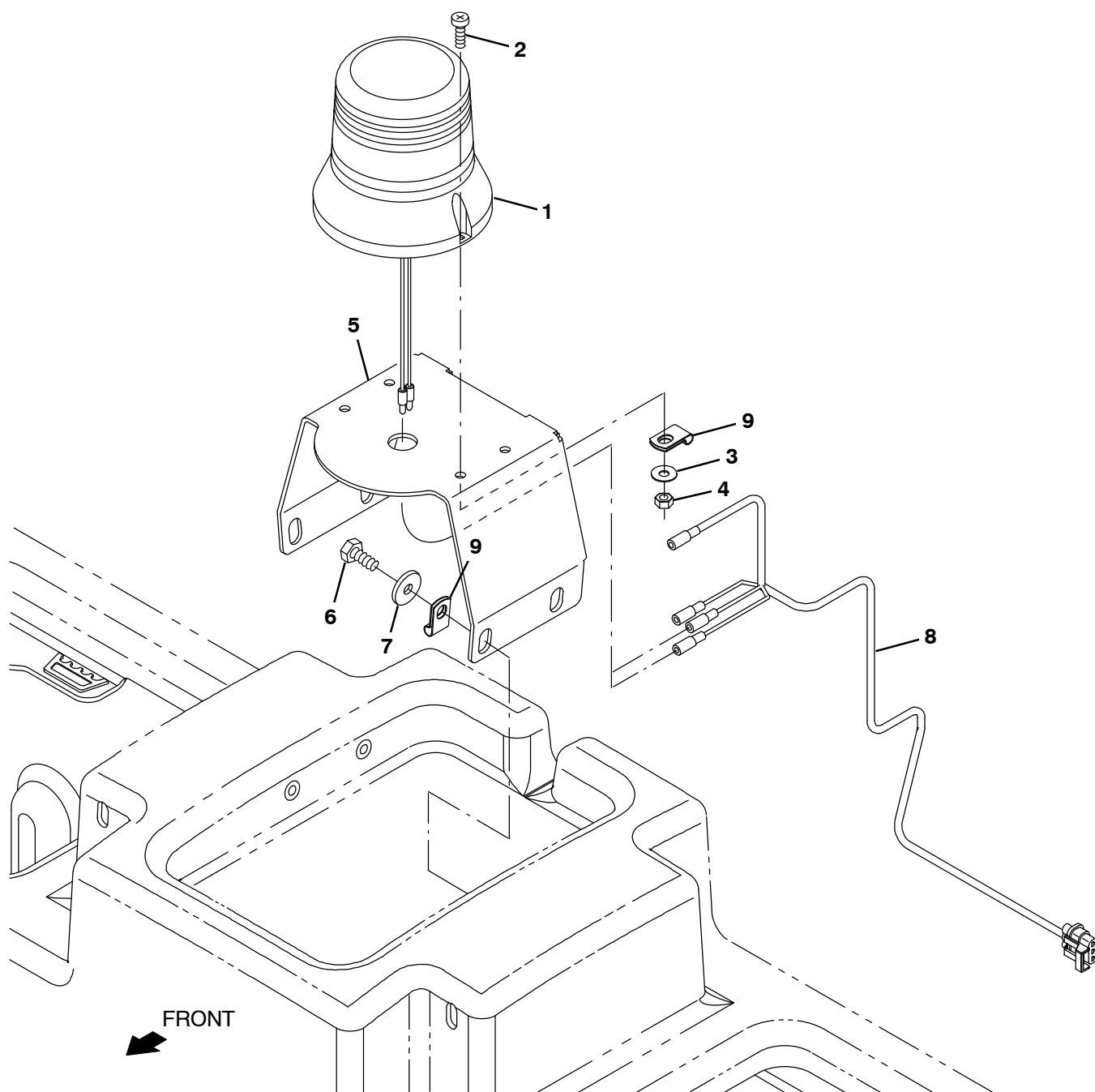
Fig. 18 – Light Kit, Flashing



354475

Ref.	Part No.	Serial Number	Description	Qty.
▽	9001327	(008000–)	Light Kit, Flsh, Ci [M20 And T20]	1
▲	1 1075283	(008000–)	Light, Strobe, Amb, 12–48vdc [Led]	1
▲	383820	(008000–)	Terminal, Bullet, Mal, .156d, 22–18ga	2
▲	2 24196	(008000–)	Screw, Pan, Phl, M5 X 0.80 X 20, Ss	2
▲	3 19066	(008000–)	Washer, Flat, 10	2
▲	4 09739	(008000–)	Nut, Hex, Lock, M5 X 0.80, NI, Ss	2
▲	5 1019445	(008000–)	Bracket, Sppt, Strobe Light	1
▲	6 09740	(008000–)	Screw, Hex, M8 X 1.25 X 20, Ss	4
▲	7 1017218	(008000–)	Washer, Flat, 0.32b 1.00d .12, Ss	4
▲	8 1019971	(008000–)	Harness, Warning / Backup [M20 & T20]	1
▲	9 46236	(008000–)	Clamp, Cable, Stl, 0.25D X 0.56W, 1Hole	2

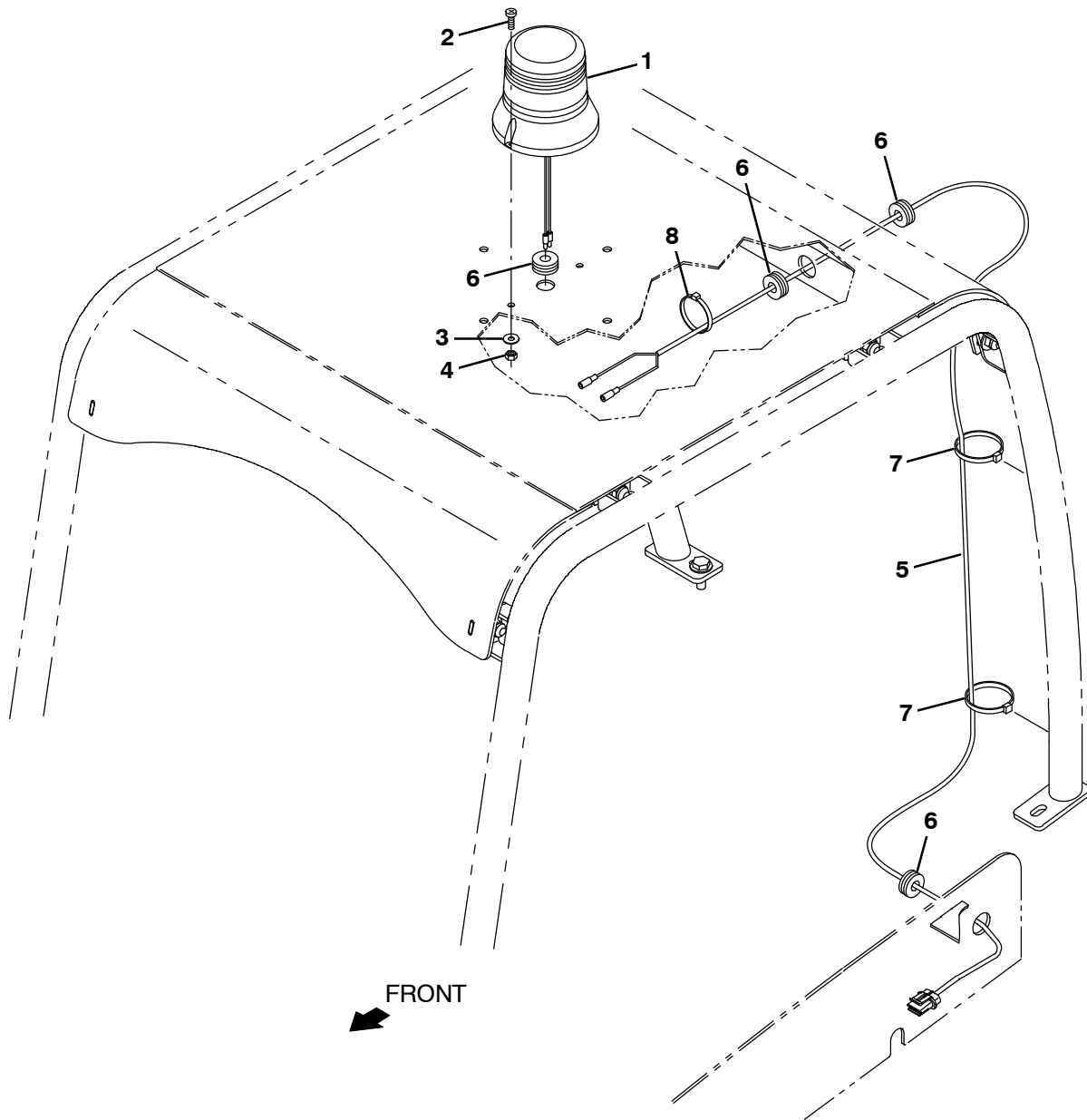
Fig. 19 - Light Kit, Strobe



354475

Ref.	Part No.	Serial Number	Description	Qty.
▽	9001331	(008000-) Light Kit, Strobe, Ci [M20 And T20]	1
▲	1 1075283	(008000-) Light, Strobe, Amb, 12-48vdc [Led]	1
▲	383820	(008000-) Terminal, Bullet, Mal, .156d, 22-18ga	2
▲	2 24196	(008000-) Screw, Pan, Phl, M5 X 0.80 X 20, Ss	2
▲	3 19066	(008000-) Washer, Flat, 10	2
▲	4 09739	(008000-) Nut, Hex, Lock, M5 X 0.80, NI, Ss	2
▲	5 1019445	(008000-) Bracket, Sppt, Strobel Light	1
▲	6 09740	(008000-) Screw, Hex, M8 X 1.25 X 20, Ss	4
▲	7 1017218	(008000-) Washer, Flat, 0.32b 1.00d .12, Ss	4
▲	8 1019971	(008000-) Harness, Warning / Backup [M20 & T20]	1
▲	9 46236	(008000-) Clamp, Cable, Stl, 0.25D X 0.56W, 1Hole	2

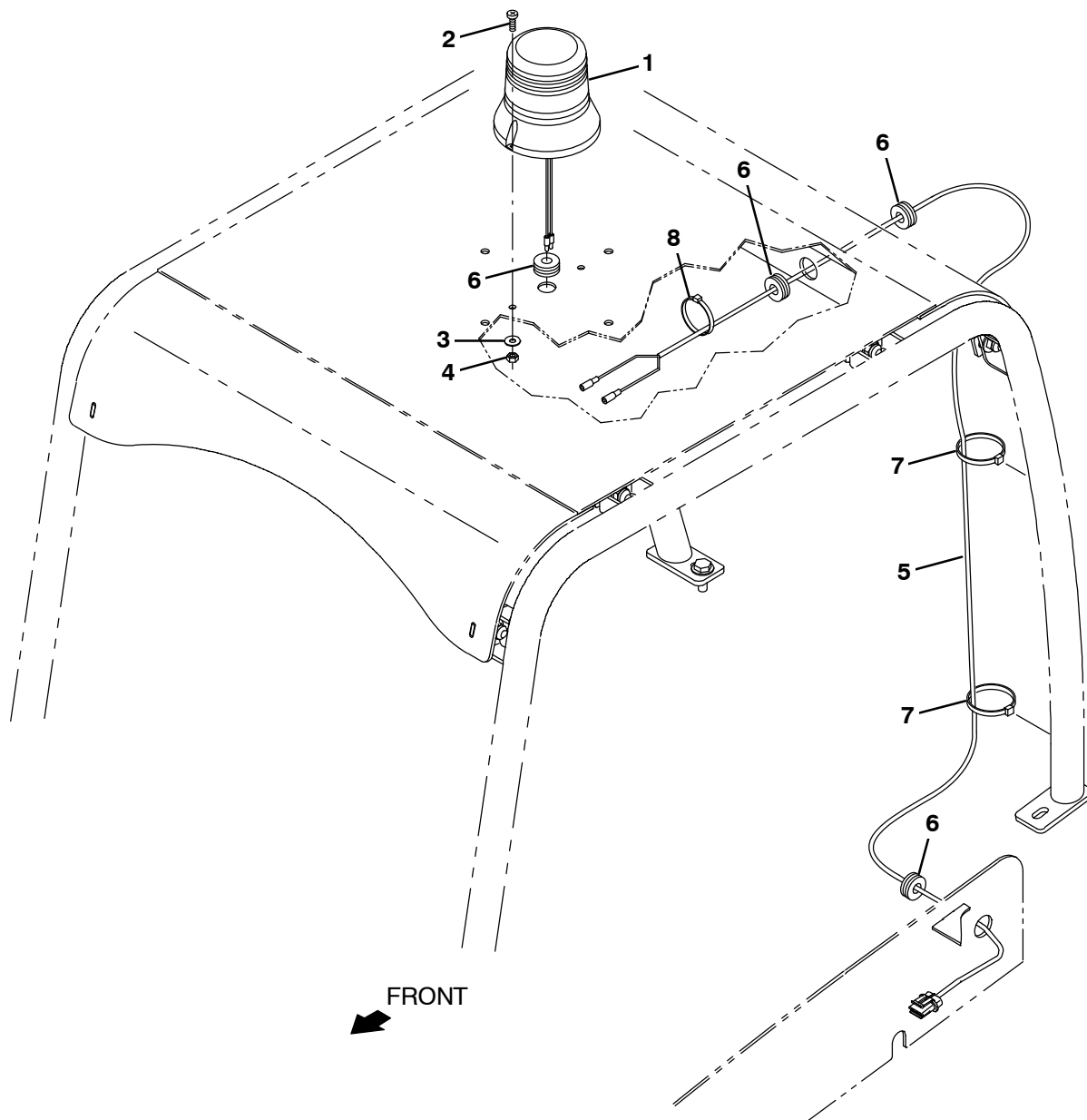
Fig. 20 – Light Kit, Flashing Overhead Guard



354477

Ref.	Part No.	Serial Number	Description	Qty.
▽	9001718	(008000–)	Light Kit, Flsh, W/Ohg, Ci[M20 And T20]	1
▲	1 1075283	(008000–)	Light, Strobe, Amb, 12–48vdc [Led]	1
▲	383820	(008000–)	Terminal, Bullet, Mal, .156d, 22–18ga	2
▲	2 24196	(008000–)	Screw, Pan, Phl, M5 X 0.80 X 20, Ss	2
▲	3 19066	(008000–)	Washer, Flat, 10	2
▲	4 09739	(008000–)	Nut, Hex, Lock, M5 X 0.80, NI, Ss	2
▲	5 1019647	(008000–)	Harness, Warning / Ohg [M20]	1
▲	6 10632–17	(008000–)	Grommet, Rbr, 0.50id, F/0.8h, .12 Matl	4
▲	7 763115	(008000–)	Tie, Cable, 6.0l, 1.25d Max	4
▲	8 49266	(008000–)	Tie, Cable, Nyl, 07.3l .19w 1.8 Max D	2

Fig. 21 – Light Kit, Strobe Overhead Guard



354477

Ref.	Part No.	Serial Number	Description	Qty.
▽	9001717	(008000–) Light Kit, Strobe, W/Ohg, Ci [M20 And T20]	1
▲	1 1075283	(008000–) Light, Strobe, Amb, 12–48vdc [Led]	1
▲	383820	(008000–) Terminal, Bullet, Mal, .156d, 22–18ga	2
▲	2 24196	(008000–) Screw, Pan, Phl, M5 X 0.80 X 20, Ss	2
▲	3 19066	(008000–) Washer, Flat, 10	2
▲	4 09739	(008000–) Nut, Hex, Lock, M5 X 0.80, NI, Ss	2
▲	5 1019647	(008000–) Harness, Warning / Ohg [M20]	1
▲	6 10632–17	(008000–) Grommet, Rbr, 0.50id, F/0.8h, .12 Matl	4
▲	7 763115	(008000–) Tie, Cable, 6.0l, 1.25d Max	4
▲	8 49266	(008000–) Tie, Cable, Nyl, 07.3l .19w 1.8 Max D	2

Fig. 22 – Overhead Guard Kit

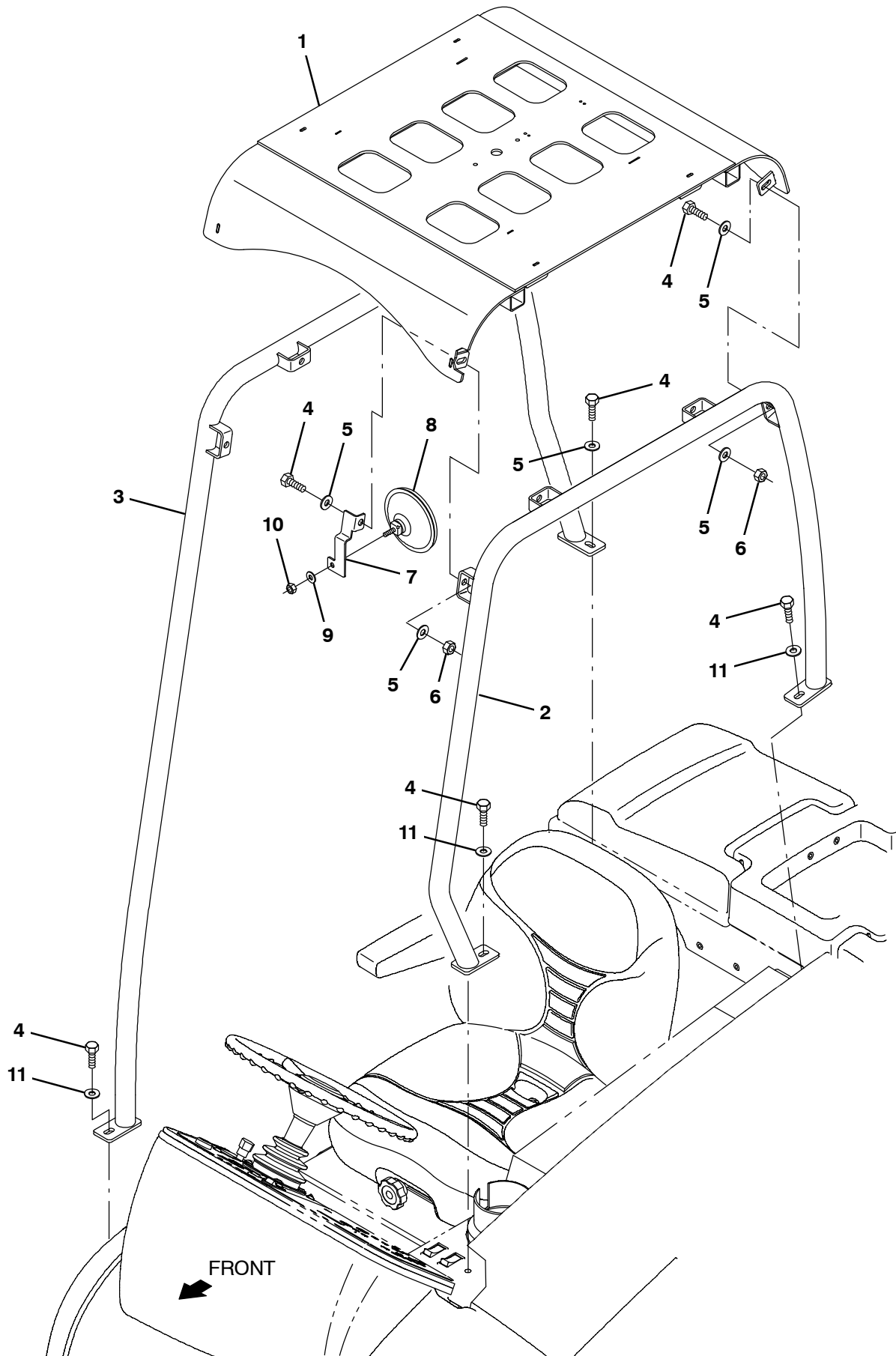


Fig. 22 – Overhead Guard Kit

	Ref.	Part No.	Serial Number	Description	Qty.
▽		9001314	(008000–) Ohg Kit, Ci [M20 And T20]	1
▲	1	1022276	(008000–) Guard Wldt, Top, Ohg	1
▲	2	1069241	(008000–) Tube Wldt, Leg, Ohg, Lh, Pntd	1
▲	3	1069253	(008000–) Tube Wldt, Leg, Ohg, Rh, Pntd	1
▲	4	03192	(008000–) Screw, Hex, M10 X 1.5 X 30, 8.8	12
▲	5	32492	(008000–) Washer, Flat, 0.38 Std	17
▲	6	41430	(008000–) Nut, Hex, Lock, M10 X 1.5, NI	8
▲	7	1023879	(008000–) Bracket, Mtg, Mirror, Rearview	1
▲	8	1050295	(008000–) Mirror, Convex, 0.50D	1
▲	9	32491	(008000–) Washer, Flat, 0.31, Std	1
▲	10	19313	(008000–) Nut, Hex, Std, .31–18	1
▲	11	1014563	(008000–) Washer, Flat, 0.40b 1.12d .12, Ss	3

Fig. 23 – Telemetry Group

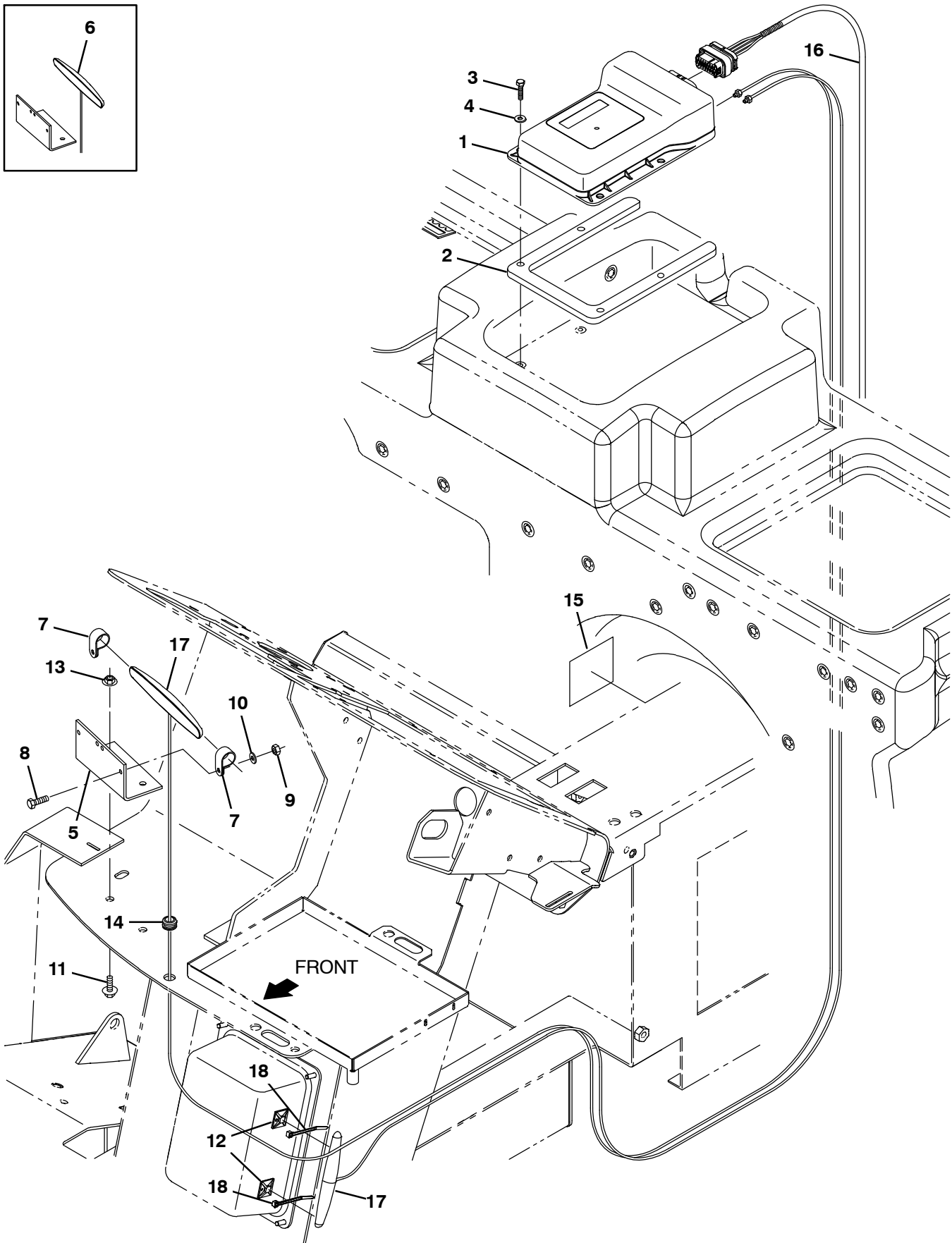
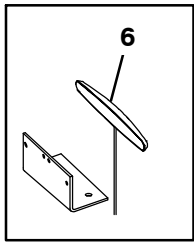


Fig. 23 - Telemetry Group

Ref.	Part No.	Serial Number	Description	Qty.
1	9010085	(008000-) Control Box Assy Kit, Replmt, Telem [USA]	1
1	9010086	(008000-) Control Box Assy Kit, Replmt, Telem [CAN]	1
2	1071062	(008000-) Bracket, Spacer, Controlbox	1
3	09252	(008000-) Screw,Hex, M5 X 0.80 X 29, 8.8	4
4	01683	(008000-) Washer, Flat, 10, Ss	4
5	1070402	(008000-) Angle, mtg, Antenna, Telem	1
6	1070659	(008000-011777) Antenna, Telem, 70 In [Gprs]	1
7	140916	(008000-) Clamp, Cable, Nyl, 0.62D, Nat	2
8	09244	(008000-) Screw, Hex, M5 X 0.80 X 16, 8.8	2
9	06549	(008000-) Nut, Hex, Lock, M5 X 0.80, NI	2
10	19066	(008000-) Washer, Flat, 0.25b 0.56d .05, PI, 10	2
11	1040467	(008000-) Screw, Hex, H6 X 1.00 X 20, 9.8, Sems	2
12	55248	(011778-) Mount, Cable Tie	2
13	07790	(008000-) Nut, Hex, FIng, M6 X 1.00	2
14	10632-12	(008000-) Grommet, Rbr, 0.38id, F/0.5H, .12 Matl	1
15	1069580	(008000-) Label, Opertnl, Telem [Fcc/lc]	1
16	1075143	(008000-) Harness, Ele [Telem]	1
17	1248350	(011778-) Antenna, Telem [4g, 180"]	2
18	763114	(011778-) Tie, Cable, 11.3l, 2.75d Max	2

Fig. 24 – Vacuum Wand Kit

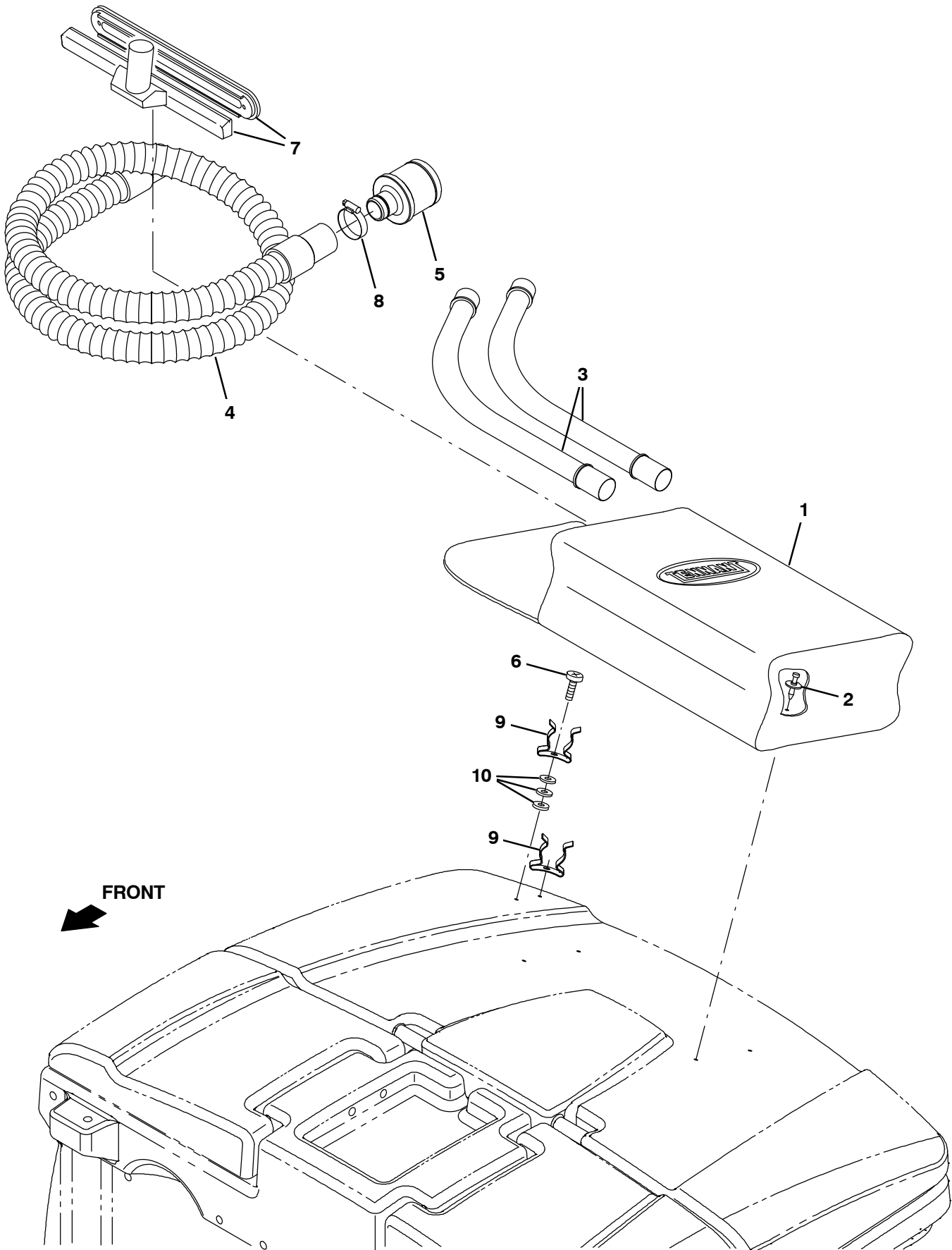


Fig. 24 – Vacuum Wand Kit

	Ref.	Part No.	Serial Number	Description	Qty.
▽		9001334	(008000–) Wand Kit, Vacuum, Ci [M20]	1
▲	1	65580	(008000–) Bag, Power	1
▲	2	72968	(008000–) Rivet, Plstc, .250d X 0.90	4
▲	3	190722	(008000–) Wand, Chm, Dbl Bend [1 Pk= 1 Box Of 2pc]	1
▲	4	86767	(008000–) Hose Assy, W/2cuff, 1.5d 090l 1.5/1.5	1
▲	5	1029396	(008000–) Fitting, Alm, Str, Bm24/Bm48	1
▲	6	55845	(008000–) Screw, Hex, M5 X 0.80 X 16, Fmg	2
▲	7	13840	(008000–) Nozzle Assy, Tool, Wand, 14.0 Inch	1
▲	8	79381	(008000–) Clamp, Hose, Wormdrive, 1.25–2.00d, .50w	1
▲	9	67004	(008000–) Clip, Grip, Finger, 1.00–1.88d White,Vyl	2
▲	10	19064	(008000–) Washer, Flat, 06	6

Fig. 25 – Spray Nozzle Kit

Ref.	Part No.	Serial Number	Description	Qty.
▽	9001310	(008000–) Nozzle Kit, Spray, Ci	1
▲	1 1026743	(008000–) Pump, Diaphragm (See Breakdowns)	1
▲	2 1027007	(008000–) Plate, Mtg, Pump	1
▲	3 06939	(008000–) Screw, Pan, M5 X 0.80 X 45, 4.8	4
▲	4 19066	(008000–) Washer, Flat, #10	4
▲	5 06549	(008000–) Nut, Hex, Lock, M5 X 0.80, NI	2
▲	6 1015045	(008000–) Hose, Afmkt, Pvc, Brd, 0.75id, 08ft, Clr	1
▲	7 63810	(008000–) Clamp, Hose, Wormdrive, 0.56–1.06d, .56w	4
▲	8 1019250	(008000–) Hose, Water, Coil	1
▲	9 769785	(008000–) Nozzle, Spray, Gun	1
▲	10 1027976	(008000–) Fitting, Brs, Str, Pf06/Pm12	1
▲	11 1027237	(008000–) Bracket, Mtg, Spray Handle	1
▲	12 1015486	(007260–) Fitting, Plstc, Tee, Bm08/Bm10/Bm10, Br	1
▲	13 1018499	(008000–) Fitting, Plstc, E90, Bm08/Pf08s, Swivel	1
▲	14 398500	(008000–) Switch, Rocker, Dpdt On/None/On	1
▲	15 1029790	(008000–) Bracket, Mtg, Spray Wand [FaST, Conv]	1
▲	16 09740	(008000–) Screw, Hex, M8 X 1.25 X 20, Ss	2
▲	17 1017218	(008000–) Washer, Flat, 0.32b 1.00d .12, Ss	2
▲	18 1027978	(008000–) Fitting, Brs, Str, Pf06/Pf06 Bh	1
▲	19 64778	(008000–) Fitting, Plstc, E90, Bm08/Pm06	1
▲	20 1029055	(008000–) Wand, Clean-Out	1
▲	21 1029057	(008000–) Clip, Grip, Finger, .875–1.25	2
▲	22 20394	(008000–) Screw, Hex, #10–16 X 0.62, Fmg [Ab]	2
▲	23 01683	(008000–) Washer, Flat, #10, Ss	4
▲	24 375321	(008000–) Fitting, Brs, Str, Pm08/Garden Hose	1
▲	25 01316	(008000–) Washer, Flat, 0.66b 1.00d .12, Rbr	1
▲	26 1029153	(008000–) Nipple, Hose	1
▲	27 1029155	(008000–) Coupling, Nozzle, Spray	1
▲	28 1029156	(008000–) Nozzle	1
▲	29 1029399	(008000–) Valve, Shutoff	1
▲	30 1021881	(008000–) Harness, Spray, Nozzle	1
▲	31 56186	(008000–) Relay, 12vdc, 40a, Spdt N/O	1
▲	32 1018495	(008000–) Fitting, Plstc, Str, Bm08/Pf08s, Swivel	1
▲	33 54333	(008000–) Clamp, Hose, Wormdrive, 0.31–0.88d, .31w	2

Fig. 26 – Transport Kit

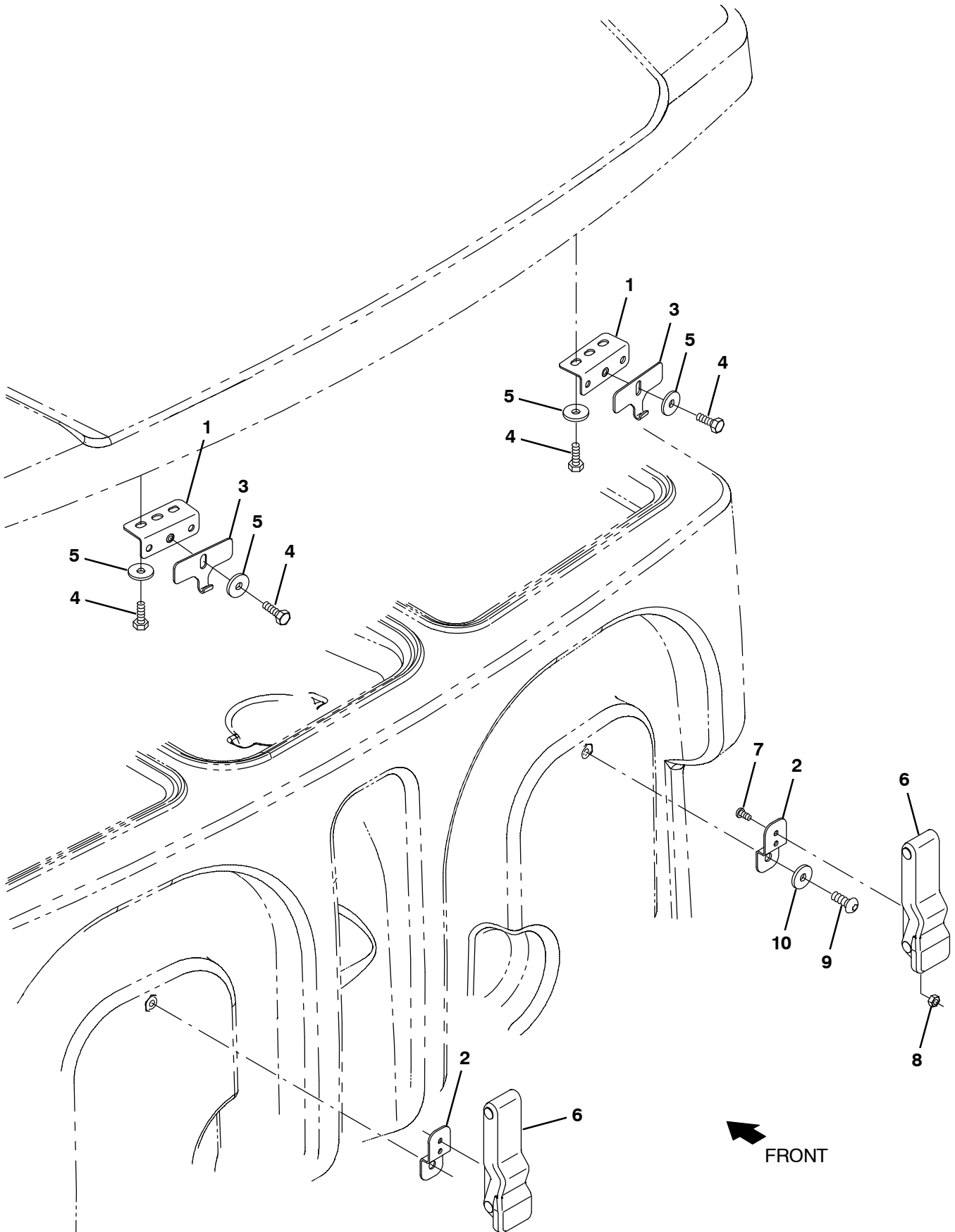


Fig. 26 – Transport Kit

	Ref.	Part No.	Serial Number	Description	Qty.
▽		9014867	(008000–) Transport Kit, Ci [M20/M30}	1
▲	1	1040800	(008000–) Bracket, Latch, Cover	2
▲	2	1020526	(008000–) Bracket, Retaining, Hose	2
▲	3	1040634	(008000–) Plate, Hook, Latch	2
▲	4	09744	(008000–) Screw, Hex, M6 X 1.00 X 12, Ss	6
▲	5	01684	(008000–) Washer, Flat, 0.27b 0.69d .05, Ss	6
▲	6	1222019	(008000–) Latch, Yellow	2
▲	7	09200	(008000–) Screw, Pan, Phl, M5 X 0.80 X 12, Ss	4
▲	8	09739	(008000–) Nut, Hex, Lock, M5 X 0.80, NI, Ss	4
▲	9	393135	(008000–) Screw, Btn, M8 X 1.25 X 20, Blk	2
▲	10	32491	(008000–) Washer, Flat, 0.31, Std	2

Fig. 27 – Squeegee Guard Kit

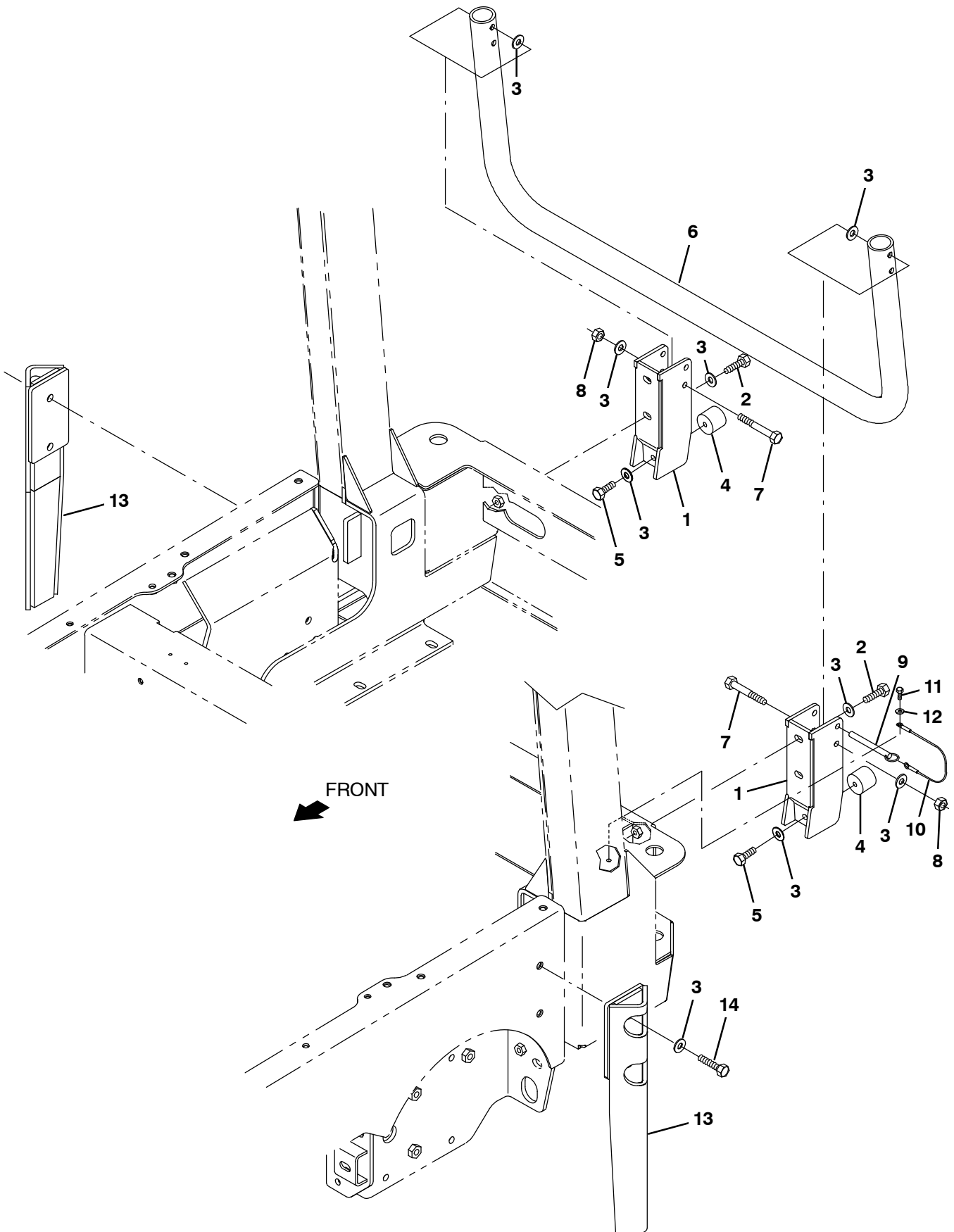


Fig. 27 - Squeegee Guard Kit

	Ref.	Part No.	Serial Number	Description	Qty.
▽		9001338	(008000-) Guard Kit, Sqge, Ci [M20]	1
▲	1	1027560	(008000-) Bracket Wldt, Guard, Sqge	2
▲	2	39284	(008000-) Screw, Hex, M10 X 1.5 X 35, 8.8	4
▲	3	32492	(008000-) Washer, Flat, 0.38 Std	14
▲	4	1024977	(008000-) Bumper, Ure, 1.50d 1.25l	2
▲	5	21196	(008000-) Screw, Hex, .38-16 X 0.88, 5	2
▲	6	1054338	(008000-) Guard Wldt, Sqge	1
▲	7	06965	(008000-) Screw, Hex, M10 X 1.5 X 80, 8.8	2
▲	8	41430	(008000-) Nut, Hex, Lock, M10 X 1.5, NI	2
▲	9	369359	(008000-) Pin, Hitch, .375d X 3.12l, PI	1
▲	10	57702	(008000-) Cable, Glv .06d 012.0l .26eye /.26eye	1
▲	11	09738	(008000-) Screw, Hex, M5 X 0.8 X 12, Ss	1
▲	12	01683	(008000-) Washer, Flat, #10, Ss	1
▲	13	1045444	(008000-) Guard Wldt, Sqge [M20/T20/M30]	2
▲	14	06962	(008000-) Screw, Hex, M10 X 1.5 X 45, 8.8	4

Fig. 28 – Pressure Washer Mount Group

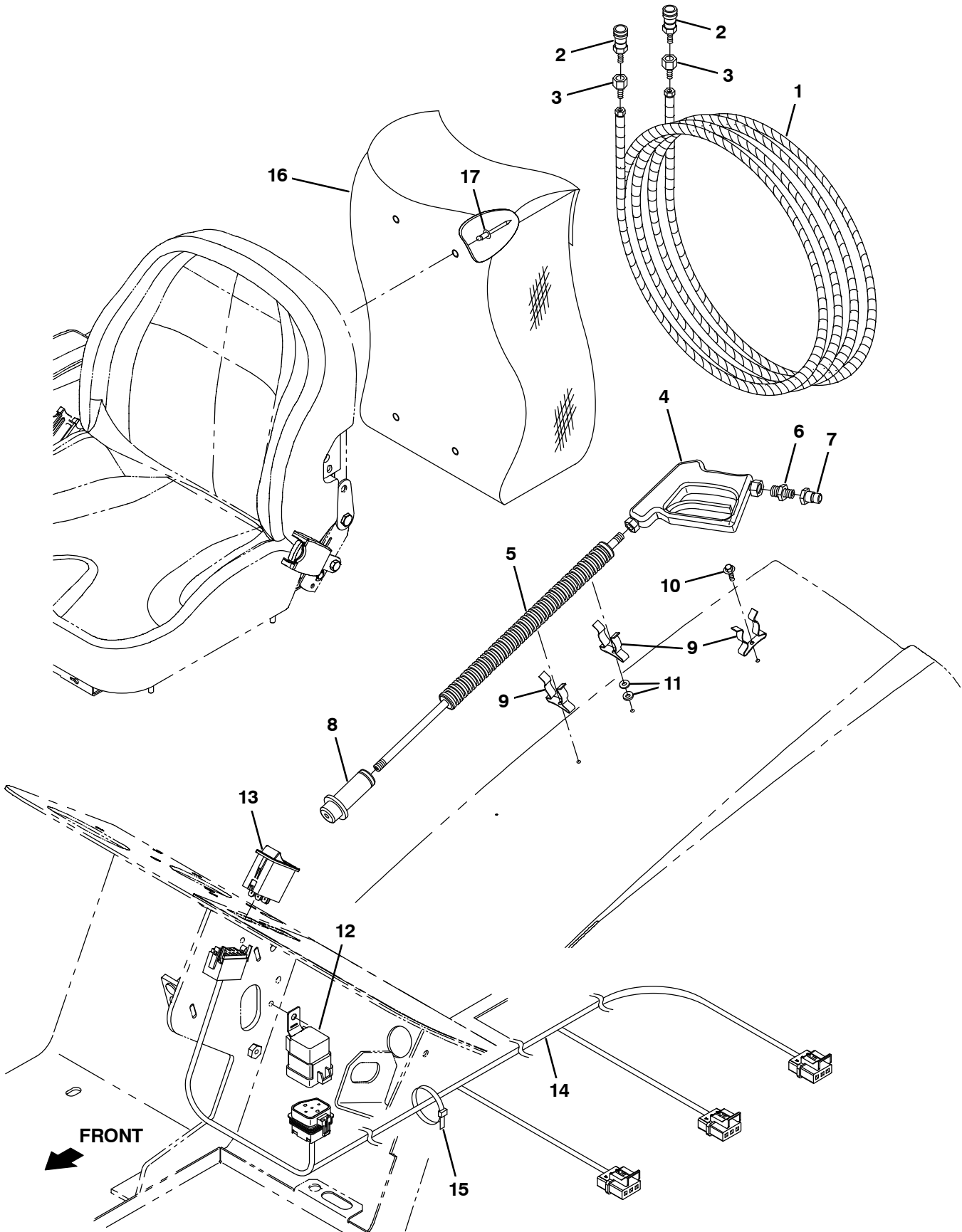


Fig. 28 – Pressure Washer Mount Group

Ref.	Part No.	Serial Number	Description	Qty.
1	1039056	(008000–) Hose, Rbr, 25ft	1
2	1042051	(008000–) Fitting, Ss, Qdc, Fem	2
3	1042772	(008000–) Fitting, Brs, Str, Pf06/Pm04	2
4	1039042	(008000–) Handle, Gun, Trigger	1
5	1039044	(008000–) Wand, Str, Ss, 28l	1
6	1044428	(008000–) Fitting, Brs, Str, Pm04/Pm06 [Hp]	1
7	1042191	(008000–) Fitting, Ss, Qdc, Mal	1
8	1041935	(008000–) Nozzle, Spray [Pressure Washer]	1
9	67004	(008000–) Clip, Grip, Finger, 1.00–1.88d White,Vyl	3
10	20394	(008000–) Screw, Hex, 10–16 X 0.62, Fmg/Ab, Pl	3
11	01683	(008000–) Washer, Flat, 10, Ss	6
12	56186	(008000–) Relay, 12vdc, 040a, Spdt No	1
13	1040899	(008000–) Switch, Rocker, Prgrsv	1
14	1074983	(008000–) Harness, Ele [Press. Wash]	1
15	49266	(008000–) Tie, Cable, Nyl, 07.3l .19w 1.8 Max D	5
16	65580	(008000–) Bag, Power	1
17	72968	(008000–) Rivet, Plstc, .250D X 0.90	2

Fig. 29 - Pressure Washer Solution Group

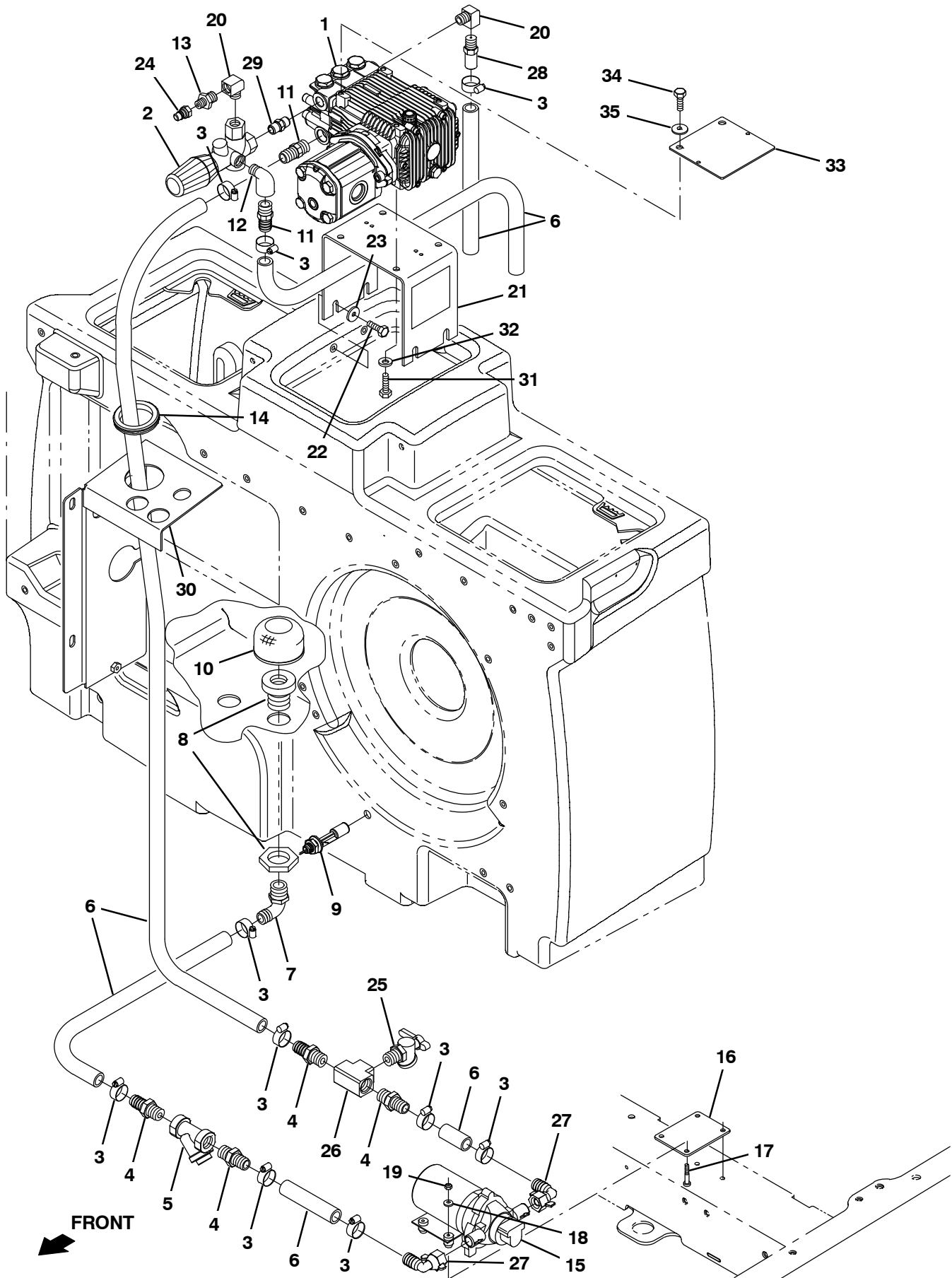


Fig. 29 – Pressure Washer Solution Group

Ref.	Part No.	Serial Number	Description	Qty.
1	1225829	(008000–) Pump, Hyd, Press Washer	1
2	1039046	(008000–) Valve, Needle	1
3	63810	(008000–) Clamp, Hose, Wormdrive, 0.56–1.06d, .56w	10
4	377334	(008000–) Fitting, Brs, Str, Bm12/Pm12	4
5	1039037	(008000–) Filter, Y, In-Line, .75	1
6	1045034	(008000–) Hose, Afmkt, Pvc, Wir, 0.75id, 08ft, Clr	1
7	1041351	(008000–) Fitting, Brs, E90, Bm12/Pm12	1
8	377349	(008000–) Fitting, Plstc, Pf12/Pf12, Bh	1
9	385685	(008000–) Sensor, Level, Liq, 14vdc 01a .62–11	1
10	1027290	(008000–) Filter, Soltn, 020mesh, Pm12 3.1d 02.6l	1
11	1042859	(008000–) Fitting, Brs, Str, Bm12/Pm08	2
12	1042579	(008000–) Fitting, Brs, E90, Pf08/Pm06	1
13	1044428	(008000–) Fitting, Brs, Str, Pm04/Pm06 [Hp]	1
14	10632–19	(008000–) Grommet, Rbr, 2.13id, F/2.5h, .12 Matl	1
15	1026743	(008000–) Pump, Diaphragm	1
16	1027007	(008000–) Plate, Mtg, Pump	1
17	06939	(008000–) Screw, Pan, Phl, M5 X 0.80 X 45, 4.8	4
18	19066	(008000–) Washer, Flat, 0.25b 0.56d .05, Pl, 10	4
19	06549	(008000–) Nut, Hex, Lock, M5 X 0.80, NI	2
20	24584	(008000–) Fitting, Brs, E90, Pf06/Pm06, Spcl	2
21	9016315	(008000–) Bracket, Mtg, Pump, Hp, Replmt	1
22	15675	(008000–) Screw, Hex, M8 X 1.25 X 16, Ss	1
23	32491	(008000–) Washer, Flat, 0.31, Std	1
24	1042191	(008000–) Fitting, Ss, Qdc, Mal	2
25	1224328	(008000–) Valve, Drain, Pm12, Qtr Turn	1
26	1224329	(008000–) Fitting, Tee, Pf12/Pf12/Pf12, Brs	1
27	1231375	(008000–) Fitting, Plstc, E90, Bm12/Pf08	2
28	1227137	(008000–) Valve, Hyd, Press Washer	1
29	1224331	(008000–) Fitting, Brs, Str, Pm06/ Pm06	1
30	1225174	(008000–) Bracket Wldt, Mtg	1
31	16931	(008000–) Screw, Hex, M8 X 1.25 X 20, 8.8	3
32	1017218	(008000–) Washer, Flat, 0.32b 1.00d .12, Ss	3
33	1225146	(008000–) Plate, Mtg, Light, Hp Spray (Flashing or Strobe Light Option Only)	1
34	16391	(008000–) Channel, .18, 2.5w 1.3 01.0l, 1/0.5h (Flashing or Strobe Light Option Only)	2
35	1017218	(008000–) Washer, Flat, 0.32b 1.00d .12, Ss (Flashing or Strobe Light Option Only)	2

Fig. 30 – Pressure Washer Hydraulic Hoses Group

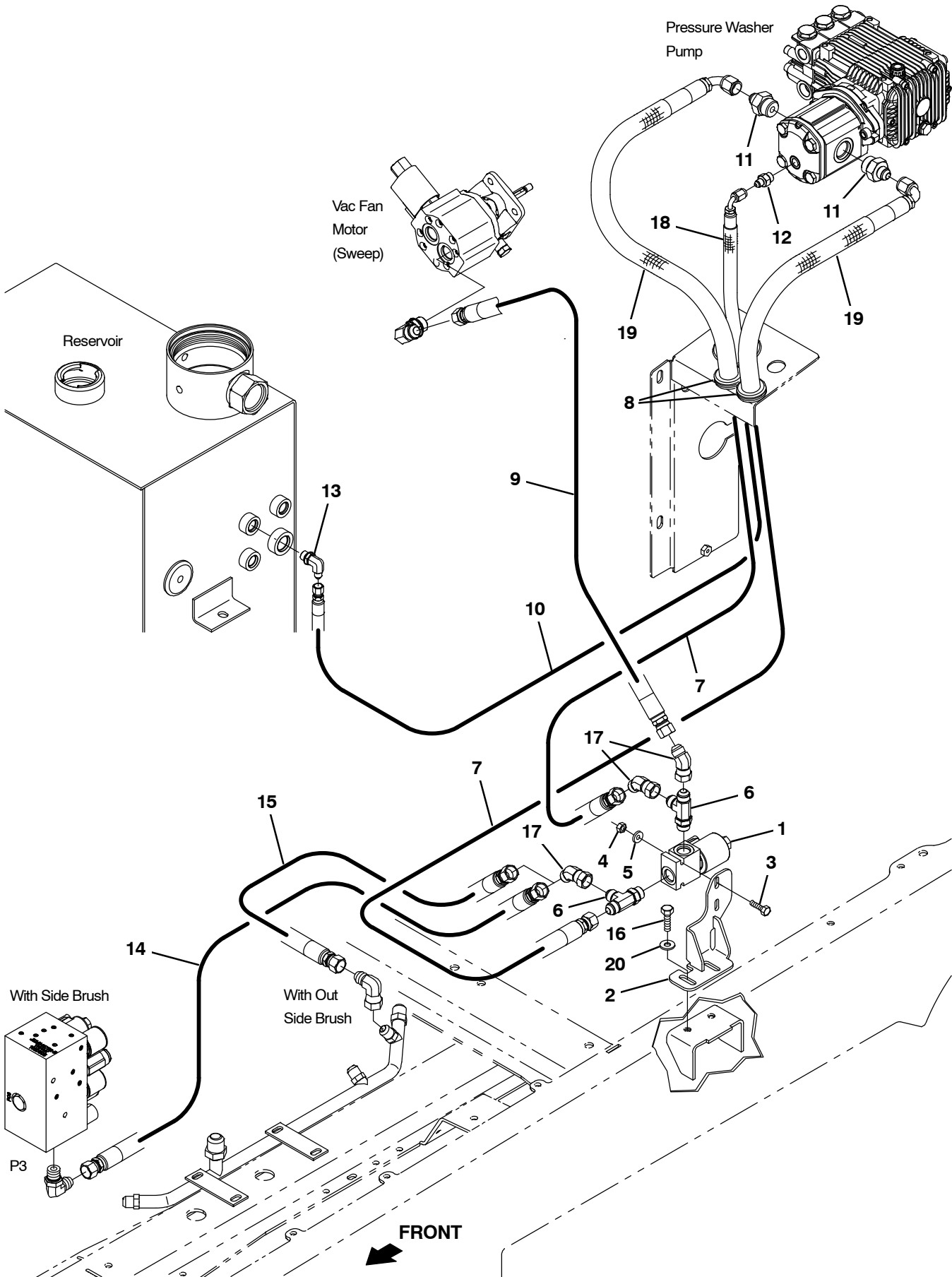


Fig. 30 – Pressure Washer Hydraulic Hoses Group

Ref.	Part No.	Serial Number	Description	Qty.
1	1038571	(008000–) Valve, Hyd, Press Washer	1
2	1225144	(008000–) Bracket, Valve, Mtg	1
3	06949	(008000–) Screw, Hex, M6 X 1.00 X 50, 8.8	2
4	08712	(008000–) Nut, Hex, Lock, M6 X 1.00, NI, Ss	2
5	32490	(008000–) Washer, Flat, 0.25, Std	2
6	40755	(008000–) Fitting, Hyd, Tee, Jm08/Jm08/Om08, Run	2
7	1226044	(008000–) Hose, Hyd, Tc08, Jfoee90/Jf08str, 72	2
8	10632–14	(008000–) Grommet, Rbr, 1.00id, F/1.4h, .12 Matl	2
9	1036965	(008000–) Hose, Hyd, Tc08, Jf08str/Jf08str, 034.0	1
10	34379	(008000–) Hose, Hyd, Med04, Jf04e90/Jf04str, 072.0	1
11	42227	(008000–) Fitting, Hyd, Str, Jm08/Om12	2
12	55685	(008000–) Fitting, Hyd, Str, Jm04/Om06	1
13	47638	(008000–) Fitting, Hyd, E90, Jm04/Om06	1
14	1037072	(008000–) Hose, Hyd, Tc08, Jf08str/Jf08str, 052.0	1
15	1036902	(008000–) Hose, Hyd, Tc08, Jf08str/Jf08str, 039.0	1
16	09010	(008000–) Screw, Hex, M8 X 1.25 X 25, Ss	2
17	07797	(008000–) Fitting, Hyd, E45, Jf08/Jm08	3
18	1224326	(008000–) Sleeve, Nyl, 0.69id 20.0l [Asb11]	1
19	1224327	(008000–) Sleeve, Nyl, 1.06id 22.0l [Asb15]	2
20	32491	(008000–) Washer, Flat, 0.31, Std	2

Fig. 31 - Wet Dust Control Hopper Cover Group (010900-)

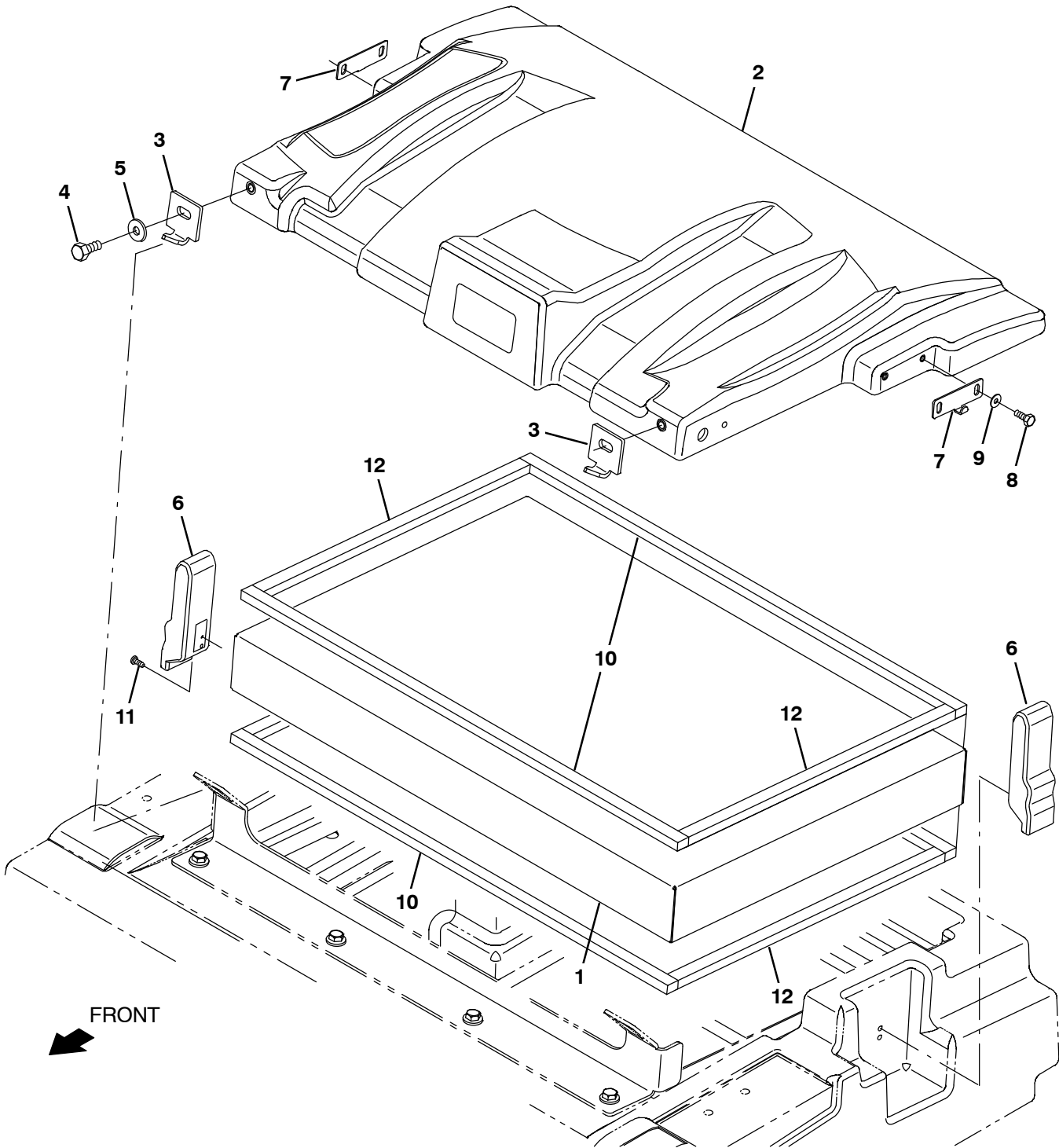
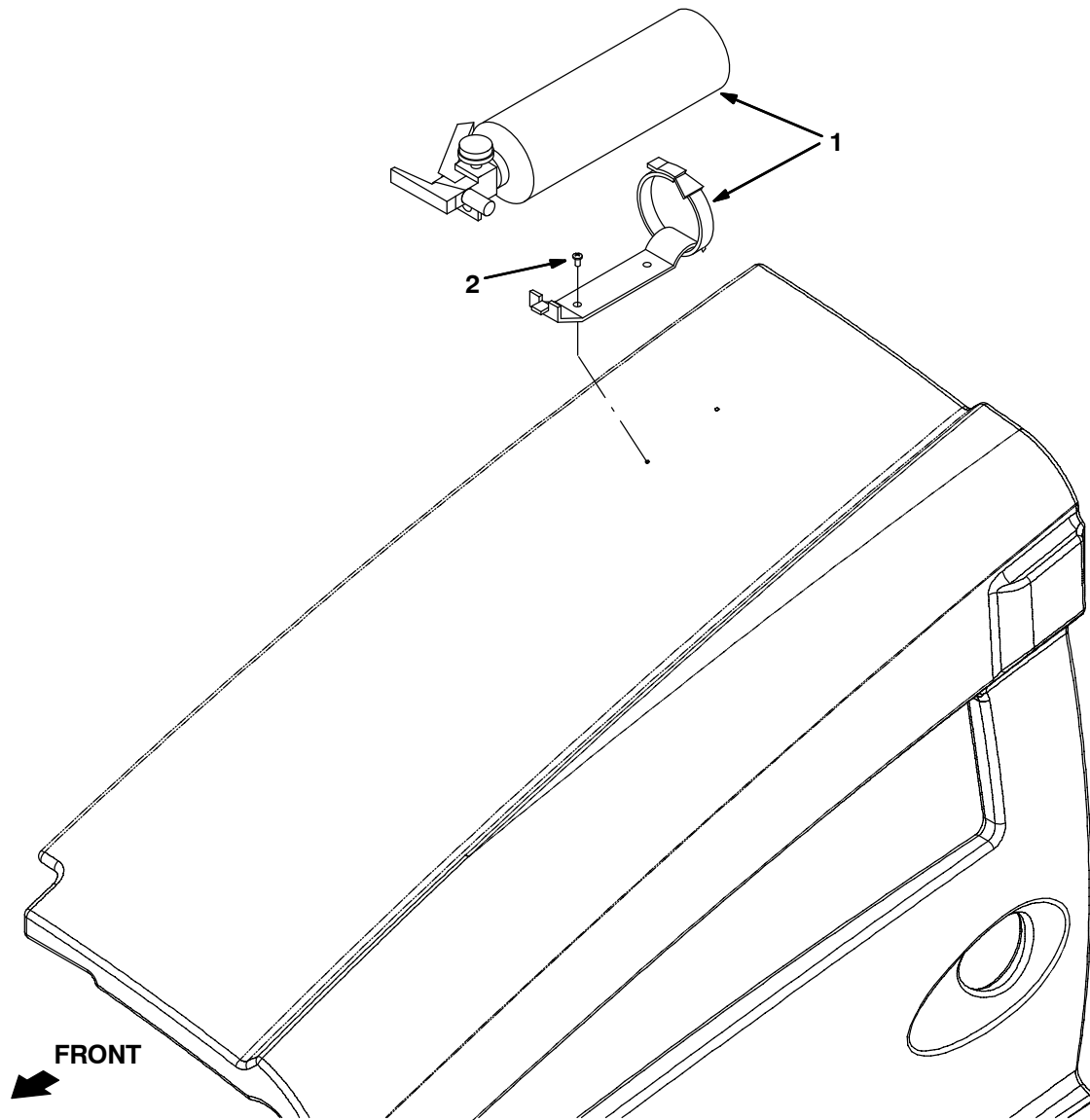


Fig. 31 - Wet Dust Control Hopper Cover Group (010900-)

Ref.	Part No.	Serial Number	Description	Qty.
1	1076414	(010900-) Panel, Filler, Filter [M20/30 Wet Sweep]	1
2	1041006	(010900-) Cover, Hppr	1
3	1018207	(010900-) Bar, Mtg, Hppr Cover	2
4	09291	(010900-) Screw, Hex, M10 X 1.5 X 20, Ss	2
5	1014563	(010900-) Washer, Flat, 0.40b 1.12d .12, Ss	2
6	1222019	(010900-) Latch, Yellow	2
7	1041984	(010900-) Bracket, Cover, Hppr	2
8	15678	(010900-) Screw, Hex, M6 X 1.0 X 16, Ss	4
9	01684	(010900-) Washer, Flat, 0.25, Ss	4
10	1015239	(010900-) Seal, Afmkt, Ure, Adh, 0.50, 0.75w 03ft	4
11	09200	(010900-) Screw, Pan, M5 X 0.8 X 12, Ss	4
12	1015241	(010900-) Seal, Afmkt, Ure, Adh, 0.50, 0.75w 02ft	4

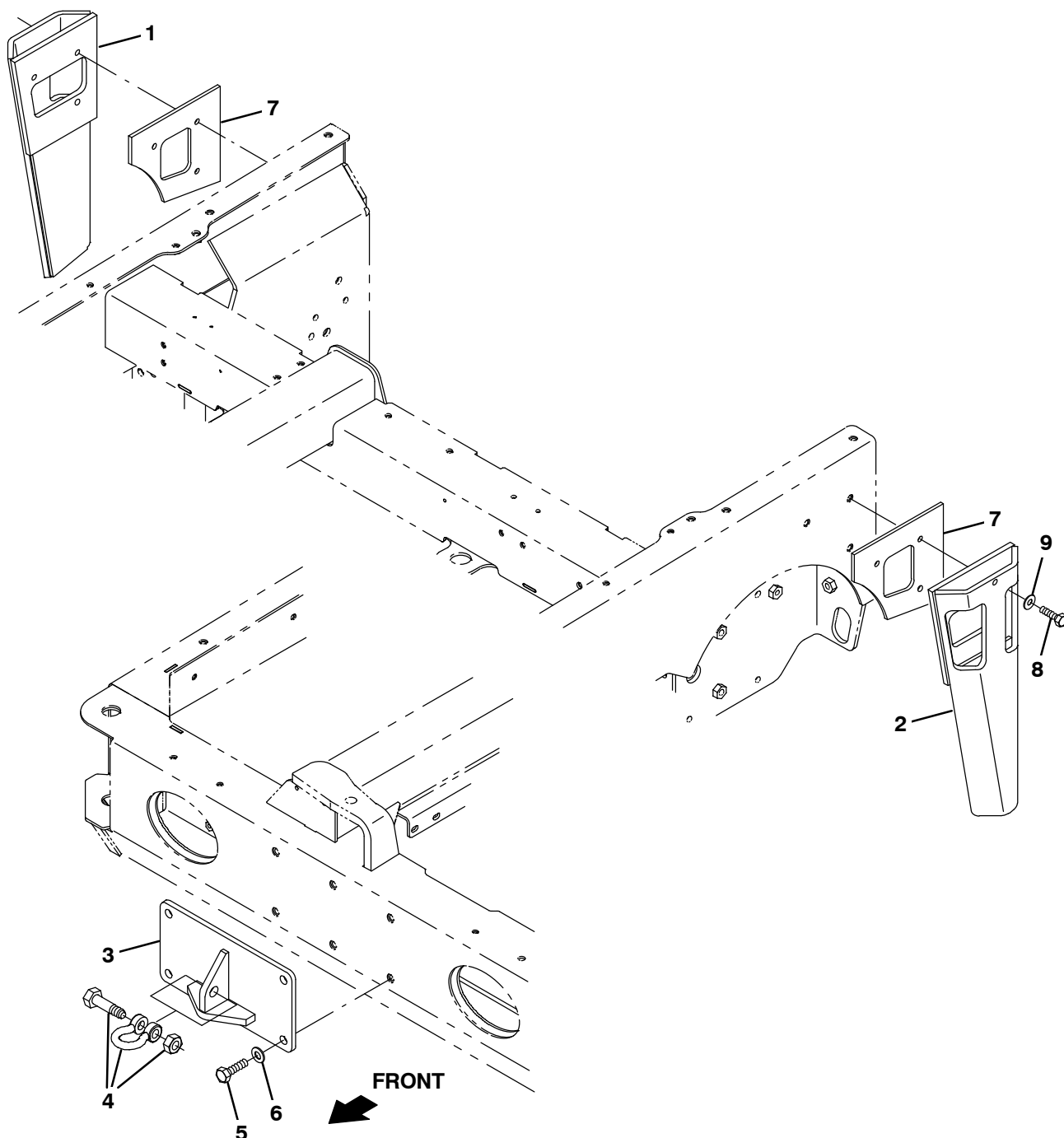
Fig. 32 – Fire Extinguisher Kit



354484

Ref.	Part No.	Serial Number	Description	Qty.
▽	9001316	(008000–) Extinguisher Kit, Fire, Ci [M20 And T20]	1
▲ 1	25312	(008000–) Extinguisher, Fire, 2.5 Lb Dry	1
▲ 2	382320	(008000–) Screw, Pan, #12–16 X 0.50, F/ Plstc	2

Fig. 33 – Frame Tie Down and Tow Group



356970 – M20, T20

Ref.	Part No.	Serial Number	Description	Qty.
1	1076696	(008000–)	Guard Wldt, Sqge, Tie-Down, Side, Rh	1
2	1076698	(008000–)	Guard Wldt, Sqge, Tie-Down, Side, Lh	1
3	1076740	(008000–)	Tow Wldt, Bumper, Front	1
4	1076741	(008000–)	Anchor [Shackle], .50 Bolt	1
5	06968	(008000–)	Screw, Hex, M12 X 1.75 X 35, 8.8	4
6	32486	(008000–)	Washer, Flat, 0.53b 1.06d .10, Stl, Pl	4
7	1076699	(008000–)	Plate, Shim, Guard, Sqge, Tie-Down	1
8	77347	(008000–)	Screw, Hex, M10 X 1.50 X 35, Ss	6
9	32492	(008000–)	Washer, Flat, 0.38, Std	6

Fig. 34 - Rear Squeegee Guard Group

Ref.	Part No.	Serial Number	Description	Qty.
1	1027560	(008000-) Bracket Wldt, Guard, Sqge	2
2	39284	(008000-) Screw, Hex, M10 X 1.50 X 35, 8.8	4
3	32492	(008000-) Washer, Flat, 0.38, Std	12
4	1024977	(008000-) Bumper, Ure, 1.50d 1.25l	2
5	21196	(008000-) Screw, Hex, .38-16 X 0.88, G5	2
6	1054338	(008000-) Guard Wldt, Sqge	1
7	06965	(008000-) Screw, Hex, M10 X 1.50 X 80, 8.8	2
8	41430	(008000-) Nut, Hex, Lock, M10 X 1.5, NI	2
9	369359	(008000-) Pin, Hitch, .375d X 3.12l, PI	1
10	57702	(008000-) Cable, Glv .06d 012.0l .26eye /.26eye	1
11	55845	(008000-) Screw, Hex, M5 X 0.80 X 16, Fmg	1
12	01683	(008000-) Washer, Flat, 10, Ss	1

Fig. 35 – Front Cover Latch Group

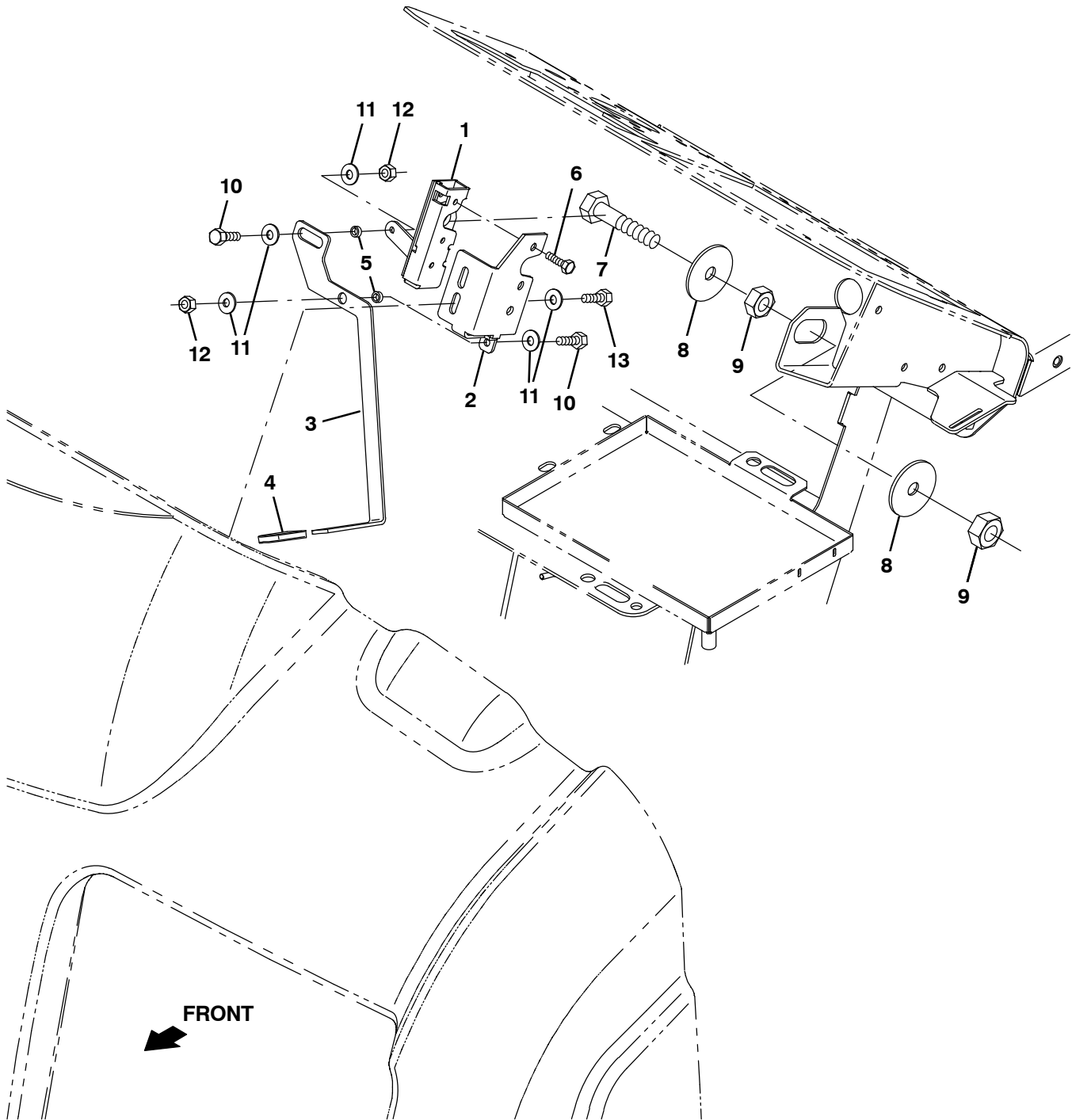


Fig. 35 – Front Cover Latch Group

Ref.	Part No.	Serial Number	Description	Qty.
1	59661	(008000–) Latch	1
2	1076703	(008000–) Bracket, Mtg, Latch	1
3	1076704	(008000–) Lever, Latch	1
4	222190	(008000–) Grip, Handle	1
5	80491	(008000–) Sleeve, P/M, 0.25b 0.38d 0.2l [430ss]	2
6	25046	(008000–) Screw, Hex, .25–20 X 1.00, G5	3
7	32895	(008000–) Screw, Hex, .50–13 X 3.50, G5	1
8	04414	(008000–) Washer, Flat, 0.53b 1.88d .12, Stl, Pl	2
9	32523	(008000–) Nut, Hex, Jam, .50–13	2
10	06943	(008000–) Screw, Hex, M6 X 1.00 X 20, 8.8	2
11	32490	(008000–) Washer, Flat, 0.25, Std	8
12	08708	(008000–) Nut, Hex, Lock, M6 X 1.00, NI	2
13	06942	(008000–) Screw, Hex, M6 X 1.00 X 16, 8.8	2

Fig. 36 – Documentation Group (Online Only)

M20, D, NA

Ref.	Part No.	Serial Number	Description	Qty.
	9016050	(008000–)	Manual, Oprtr, [M20 Dsl, En Na Sn 8000–]	1
	1032578	(008000–)	Instr, Maint, Wall Chart [M20]	1
	9016052	(008000–)	Manual, Oprtr, [M20 Dsl, Es Na Sn 8000–]	1
	9016053	(008000–)	Manual, Oprtr, [M20 Dsl, Fr Na Sn 8000–]	1
	9016051	(008000–)	Manual, Parts, [M20 Dsl, En Na Sn 8000–]	1
	9016054	(008000–)	Manual, Oprtr, [M20 Dsl, Jp, Sn 8000–]	1
	9016284	(008000–)	Manual, Oprtr, [M20 Dsl, Ptb, Sn 8000–]	1
	9016006	(008000–)	Manual, Service, [M20/M30 G/D, Sn 8000–]	1
	84660	(008000–)	Vr, Manual, Engine [Kubota, V1505e]	1
	9006257	(008000–)	Media, Cd–Rom, Training [Ec–H2o Tennant]	1



To view, print, or download the latest Parts manual, other language Operator manuals, and Use and Care Guides (wall charts), visit:

www.tennantco.com/manual

SECTION 4

Contents	Page
Fig. 1 – Extended Scrub Pump Breakdown, 1021210	4-2
Fig. 2 – Hydraulic Motor Breakdown, 379609 ...	4-4
Fig. 3 – Hydraulic Pump Breakdown, 1024251 .	4-6
Fig. 4 – Hydraulic Motor Breakdown, 71729	4-8
Fig. 5 – Hydraulic Motor Breakdown, 1029379 .	4-9
Fig. 6 – Hydraulic Valve Breakdown, 1072997 .	4-10
Fig. 7 – Hydraulic Valve Breakdown, 1072995 .	4-12
Fig. 8 – Hydraulic Steering Valve Breakdown, 1024260	4-14
Fig. 9 – Metering Solution Pump Breakdown, 73260	4-16
Fig. 10 – Water Pump Breakdown, 1026743 ...	4-17
Fig. 11 – ec-H2O Module Assembly Breakdown, 9007882	4-18
Fig. 12 – Seat Breakdown, 9018721	4-20
Fig. 13 – Steering Gearbox Breakdown, 9015636	4-22
Fig. 14 – FaST Injector Assembly Breakdown, 9008868	4-24
Fig. 15 – Water Pump Motor Breakdown, 1225829	4-25

Fig. 1 – Extended Scrub Pump Breakdown, 1021210

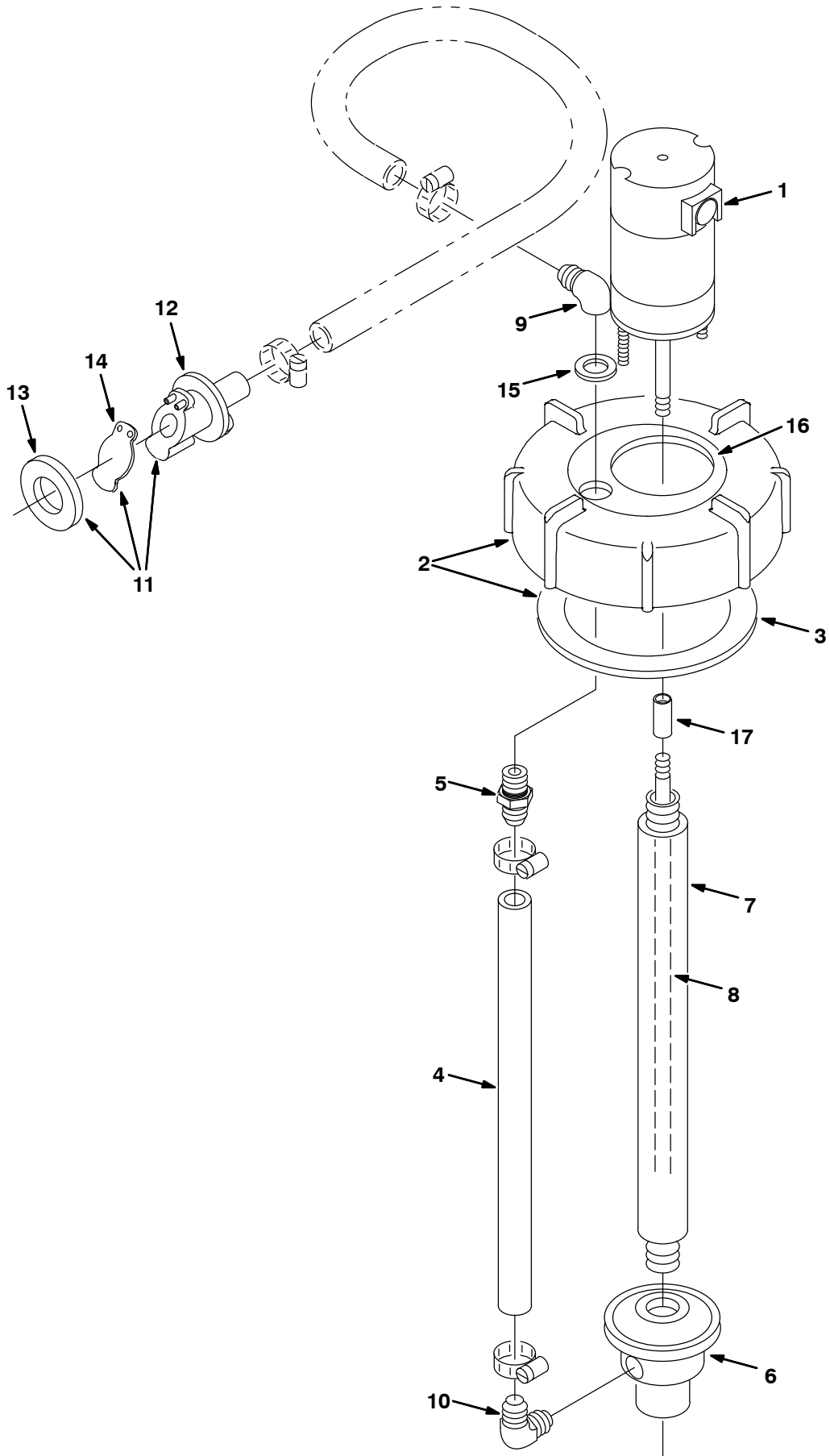


Fig. 1 - Extended Scrub Pump Breakdown, 1021210

	Ref.	Part No.	Serial Number	Description	Qty.
▽		1021210	(000000-) Pump Assy, Column, Es	1
▲▽	1	9002708	(000000-) Motor, Ele, 12vdc, Pump, Water	1
▲▲		78829	(000000-) Kit, Brush, Motor, Ele	1
▲▽	2	24358	(000000-) Cap Assy, Tank, Drain	1
▲▲	3	1031699	(000000-) Gasket, 4.05id 5.29od .19 [Buna]	1
▲	4	78833	(000000-) Tube, Vinyl, Pump, Water	1
▲	5	78398	(000000-) Fitting, Plstc, Str, Bm12/Pm08, Nyl	1
▲	6	78843	(000000-) Housing Kit, Pump, Water	1
▲	7	78836	(000000-) Column, Pump, Water	1
▲	8	9002709	(000000-) Shaft, Pump, Water	1
▲	9	78838	(000000-) Fitting, E, Gr	1
▲	10	78839	(000000-) Fitting, Plstc, E90, Pf Bm [Es Pump]	1
▲▽	11	78842	(000000-) Kit, Valve, Check, Pump, Water	1
▲▲	12	78840	(000000-) Valve, Check, Pump, Water	1
▲▲	13	73342	(000000-) Gasket, .25 1.88d 1.0id [Poron]	1
▲▲	14	78841	(000000-) Flapper, Valve, Pump, Water	1
▲	15	78830	(000000-) Washer, Rbr	1
▲	16	22790	(000000-) Insert, Cap, Mount, Es Pump	1
▲	17	23285	(000000-) Sleeve, Pump, Water	1

Fig. 2 – Hydraulic Motor Breakdown, 379609

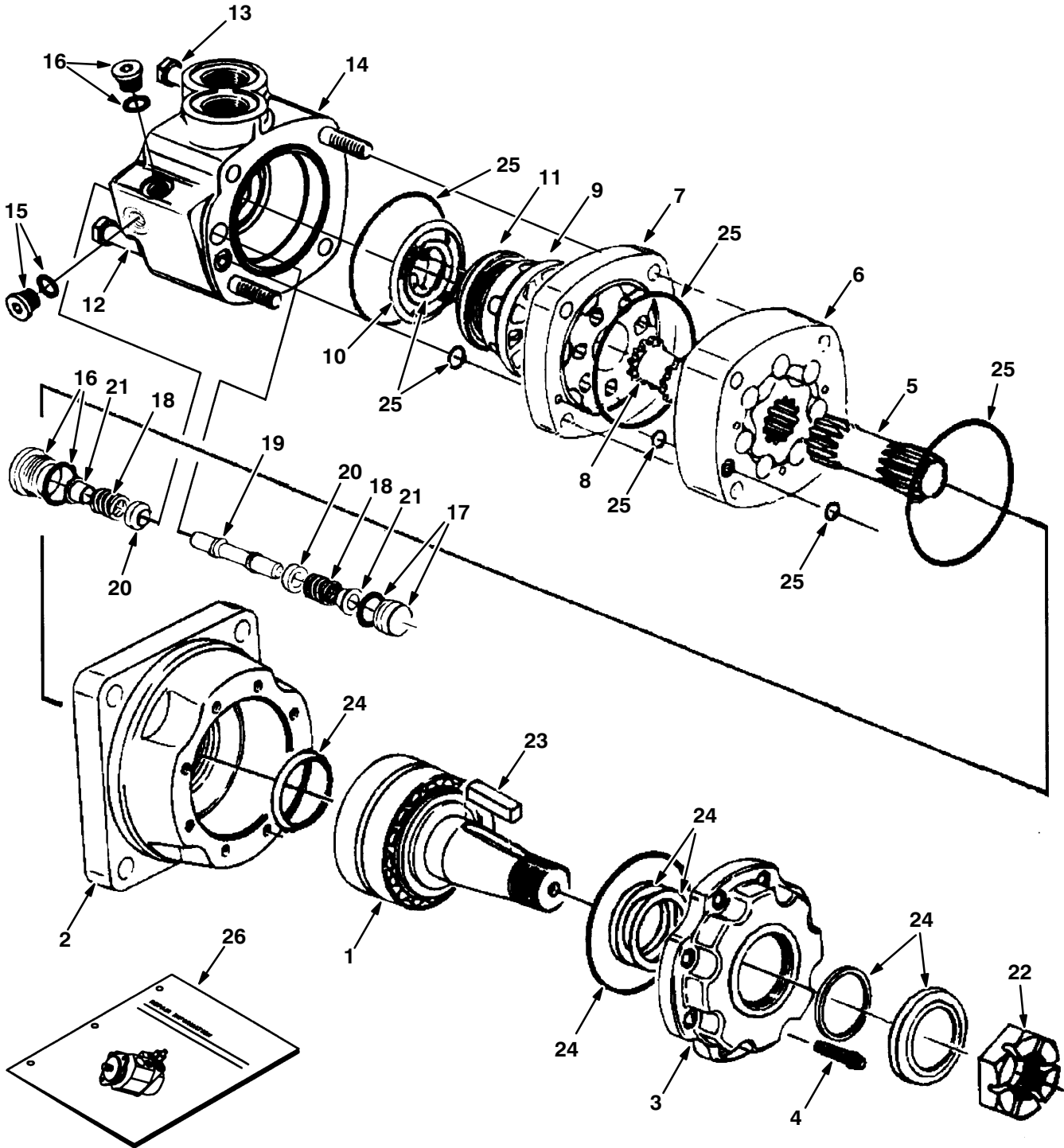


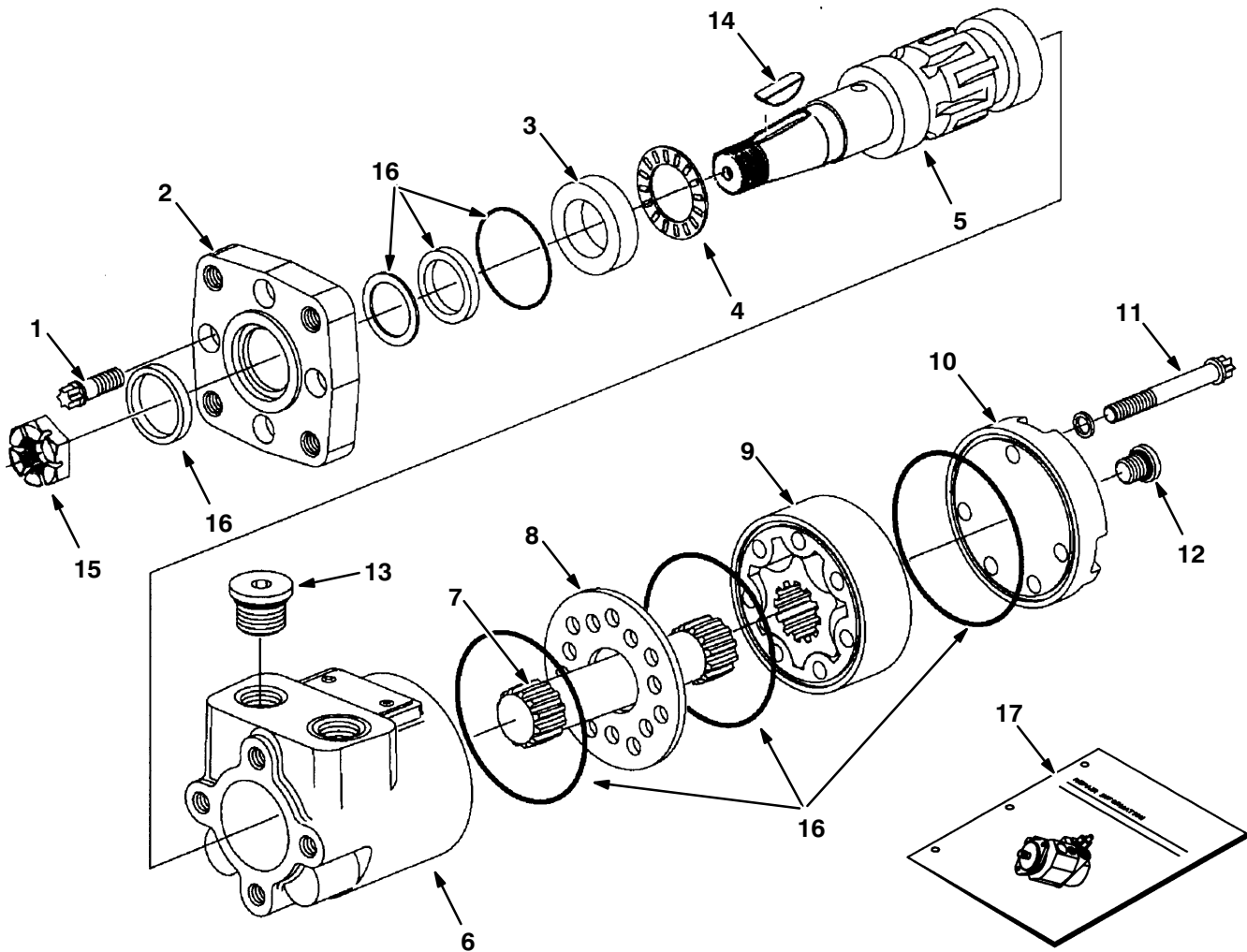
Fig. 2 – Hydraulic Motor Breakdown, 379609

	Ref.	Part No.	Serial Number	Description	Qty.
▽		379609	(000000-) Motor, Hyd, Gear, [Int], 19.0 X 3000	1
▲	1	74165	(000000-) Shaft, Motor, Hyd	1
▲	2	74166	(000000-) Housing, Brg, Motor, Hyd	1
▲	3	74167	(000000-) Retainer, Motor, Hyd	1
▲	4	74168	(000000-) Screw, Cap, Motor, Hyd	8
▲	5	37616	(000000-) Drive, Motor, Hyd	1
▲	6	37756	(000000-) Geroler, Motor, Hyd	1
▲	7	74122	(000000-) Plate, Valve, Motor, Hyd	1
▲	8	52405	(000000-) Valve, Motor, Hyd	1
▲	9	74123	(000000-) Valve, Motor, Hyd	1
▲	10	34178	(000000-) Spring, Motor, Hyd	2
▲	11	38968	(000000-) Ring, Motor, Hyd	1
▲	12	74125	(000000-) Bolt, Motor, Hyd	3
▲	13	38255	(000000-) Bolt, Motor, Hyd	1
▲	14	373297	(000000-) Housing, Valve	1
▲	15	373298	(000000-) Plug	1
▲	16	373260	(000000-) Plug, Pump, Hyd, Gear	2
▲	17	373299	(000000-) Plug	1
▲	18	373291	(000000-) Spring	2
▲	19	373217	(000000-) Piston, Pump, Hyd, Gear	1
▲	20	373226	(000000-) Poppet, Pump, Hyd, Gear	2
▲	21	373236	(000000-) Sleeve, Dashpo, Pump, Hyd, Gear	2
▲	22	45622	(000000-) Nut, Motor, Hyd	1
▲	23	45623	(000000-) Key, Motor, Hyd	1
▲	24	79828	(000000-) Seal Kit, Shaft	1
▲	25	33580	(000000-) Seal Kit, Rear	1
	26	79729	(000000-) Instr, Repair, Motor, Hyd, Gear	1

Fig. 3 – Hydraulic Pump Breakdown, 1024251

Ref.	Part No.	Serial Number	Description	Qty.	
▽	1024251	(000000–) Pump, Hyd, Piston, Var, 1.24 4000, Cw	1	
▲	1	373681	(000000–) Shaft, Pump	1
▲	2	373427	(000000–) Cover, End	1
▲	3	373389	(000000–) Housing	1
▲	4	02706	(000000–) Pump Kit, Hyd, Rotating [Cessna]	1
▲	5	373493	(000000–) Plate, Cam	1
▲	6	70096	(000000–) Washer, Flat, Pump, Hyd	1
▲	7	55926	(000000–) Ring, Retaining, Pump, Hyd	1
▲	8	373434	(000000–) Ring, Retaining	2
▲	9	74225	(000000–) Bearing, Thrust, Pump, Hyd	1
▲	10	74226	(000000–) Race, Brg, Pump, Hyd	2
▲	11	373327	(000000–) Insert, Plt, Cam, Pump, Hyd	1
▲	12	373391	(000000–) Washer, Pump, Hyd [En]	6
▲	13	373346	(000000–) Screw, Cap	6
▲	14	373494	(000000–) Valve, Relief, 4000 Psi	1
▲	15	373678	(000000–) Valve, Relief, 3000 Psi	1
▲	16	373317	(000000–) Bearing, Cone, Pump, Hyd	2
▲	17	373393	(000000–) Plate, Cover	1
▲	18	373394	(000000–) Plate, Cover	1
▲	19	70100	(000000–) Pin, Dowel, Pump, Hyd	2
▲	20	373347	(000000–) Screw, Cap	2
▲	21	373348	(000000–) Screw, Cap	2
▲	22	74237	(000000–) Key, Shaft, Pump, Hyd	1
▲	23	373679	(000000–) Coupler, Pump	1
▲	24	373680	(000000–) Ring, Lock	1
▲	25	373395	(000000–) Bearing, Cup	2
▲	26	74180	(000000–) Plate, Valve, Pump, Hyd	1
▲	27	13907	(000000–) Fitting, Hyd, Plug, Om08	1
▲	28	373413	(000000–) Actuator, Valve, By-Pass [En]	1
▲	29	373398	(000000–) Seal Kit, Pump, Hyd	1
▲	30	373402	(000000–) Shim Kit	1
	31	373429	(000000–) Instr, Repair, Pump	1

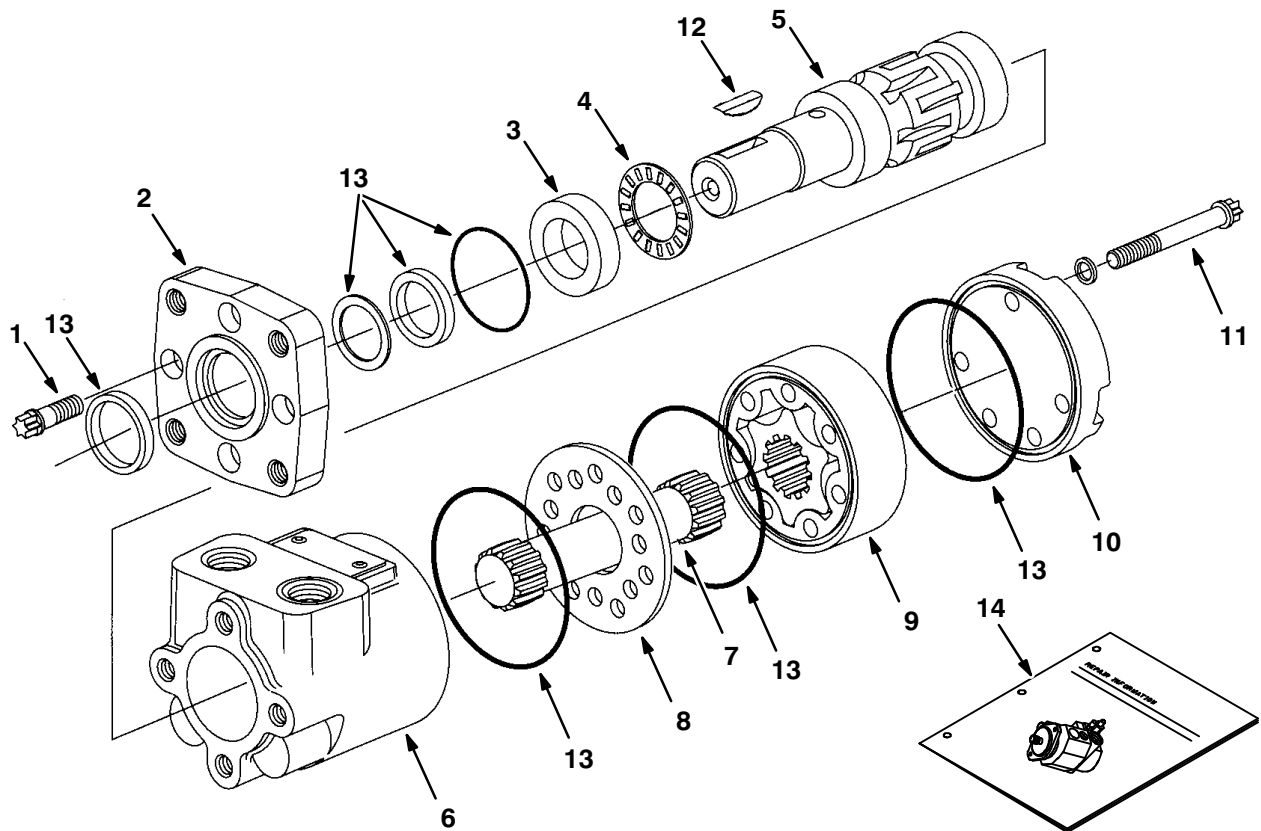
Fig. 4 – Hydraulic Motor Breakdown, 71729



09606-09670 – ALL

Ref.	Part No.	Serial Number	Description	Qty.
▽	71729	(000000-)	Motor, Hyd Gear In 4.5 B 1500	1
▲	1	37555	(000000-) Screw	4
▲	2	31354	(000000-) Flange Mounting	1
▲	3	16695	(000000-) Race Thrust	1
▲	4	45628	(000000-) Thrust Bearing	1
▲	5	31375	(000000-) Shaft, Output	1
▲	6	74100	(000000-) Housingl	1
▲	7	31379	(000000-) Drive	1
▲	8	74094	(000000-) Spacer Plate	1
▲	9	31383	(000000-) Gerotor Set	1
▲	10	74095	(000000-) End Cap	1
▲	11	65241	(000000-) Cap Screw	5
▲	12	74098	(000000-) Plug #4	1
▲	13	74099	(000000-) Plug #10	2
▲	14	00500-15	(000000-) Key-Wdruff 0.25 1.00	1
▲	15	39527	(000000-) Nut-Hxslot .75-16 Pltd	1
▲	16	61490	(000000-) Seal Replmt Kit	1
▲	17	74250	(000000-) Instr. Repair Info, Motor	1

Fig. 5 - Hydraulic Motor Breakdown, 1029379



10859-09670 - ALL

Ref.	Part No.	Serial Number	Description	Qty.	
▽	1029379	(000000-) Motor, Hyd, Gear, Int 08.9 Bi-Dir 2500	1	
▲	1	37555	(000000-) Screw, Motor, Hyd [En]	4
▲	2	31354	(000000-) Flange, Motor, Hyd [En]	1
▲	3	16695	(000000-) Ace, Thrust, Motor, Hyd [En]	1
▲	4	45628	(000000-) Bearing, Thrust	1
▲	5	28854	(000000-) Shaft, Output, Motor, Hyd [En]	1
▲	6	74100	(000000-) Housing, Motor, Hyd [En]	1
▲	7	21955	(000000-) Drive [CI]	1
▲	8	74094	(000000-) Plate, Spacer, Motor, Hyd [En]	1
▲	9	21956	(000000-) Gerotor Set [CI]	1
▲	10	65230	(000000-) End Cap, Motor, Hyd [En]	1
▲	11	21958	(000000-) Cap Screw CI	5
▲	12	00500-15	(000000-) Key, Woodruff, 0.25 1.00 [Asa#0808]	1
▲	13	61490	(000000-) Seal Kit, Motor [CI]	1
▲	14	74250	(000000-) Instr, Motor, Hyd, Repair [En]	1

Fig. 6 – Hydraulic Valve Breakdown, 1072997

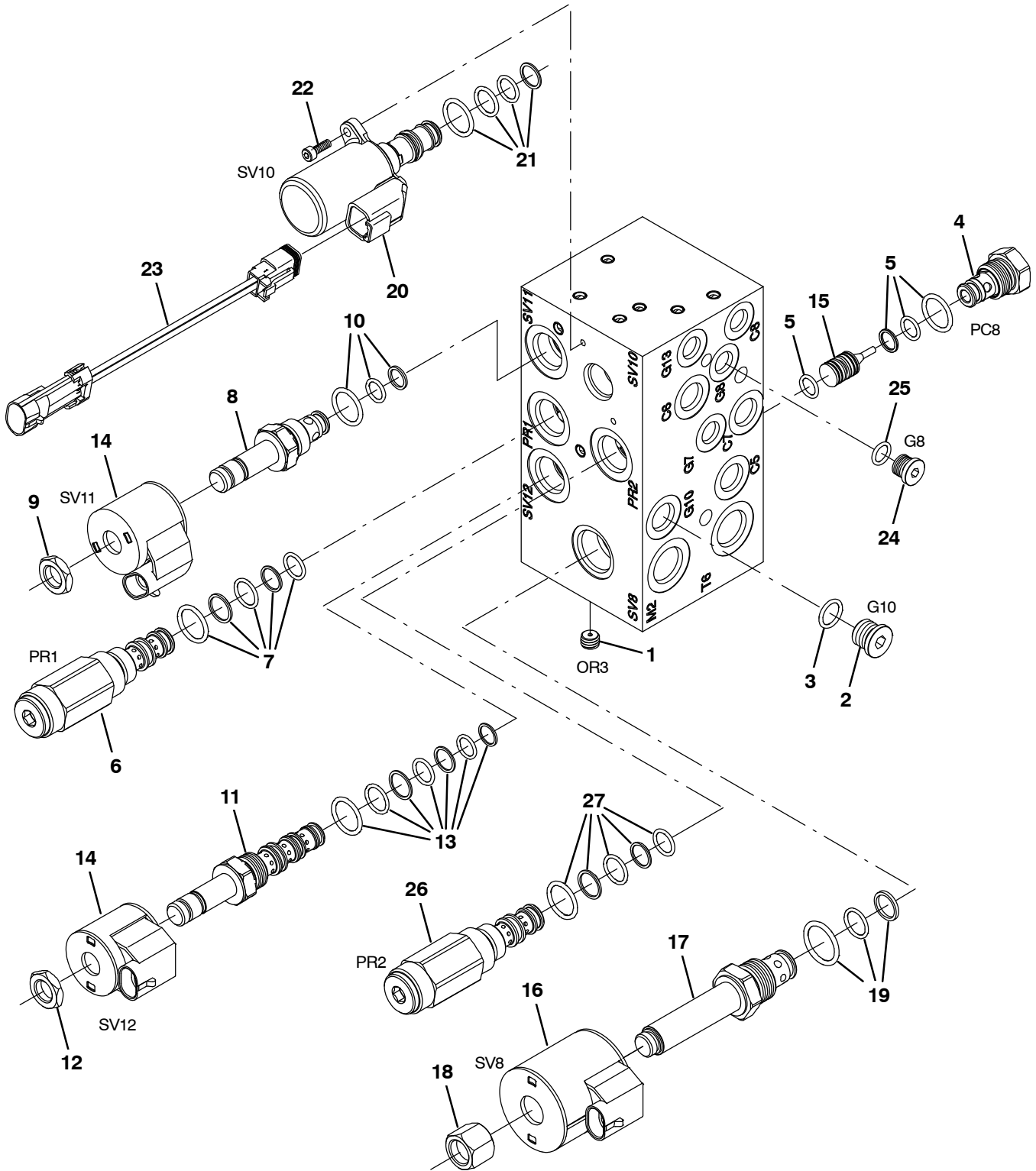


Fig. 6 - Hydraulic Valve Breakdown, 1072997

Ref.	Part No.	Serial Number	Description	Qty.
▽	1072997	(000000-) Valve, Cntrl, Hyd, Solenoid, 03/16gpm	1
▲	1 373633	(000000-) Plug, Orifice, Valve, Hyd, .040	1
▲▽	2 13904	(000000-) Fitting, Plug, Org, #6, Valve [Cec]	1
▲▲	3 77005	(000000-) Seal, Org, .078 X 00.47id 06	1
▲▽	4 373656	(000000-) Valve, Check	1
▲▲	5 373647	(000000-) Seal Kit, Cartridge	1
▲▽	6 373661	(000000-) Valve, Relief	1
▲▲	7 373647	(000000-) Seal Kit, Cartridge	1
▲▽	8 373662	(000000-) Stem, Valve, Hyd	1
▲▲	9 373648	(000000-) Nut, Coil, Nyl Patch	1
▲▲	10 373647	(000000-) Seal Kit, Cartridge	1
▲▽	11 373657	(000000-) Stem, Valve, Hyd [4w2p]	1
▲▲	12 373648	(000000-) Nut, Coil, F/#8	1
▲▲	13 373647	(000000-) Seal Kit, Cartridge	1
▲	14 373640	(000000-) Solenoid, #8, 12vdc	3
▲	15 373658	(000000-) Spool, Pilot, Hyd	1
▲	16 373642	(000000-) Solenoid, #10, 12vdc	1
▲▽	17 373663	(000000-) Valve, Stem, No	1
▲▲	18 373670	(000000-) Nut, Solenoid	1
▲▲	19 373646	(000000-) Seal Kit, Cartridge	1
▲▽	20 9011347	(000000-) Valve Assy [Proportional]	1
▲▲	21 9011343	(000000-) Seal Kit, Valve [Ehpr98]	1
▲▲	22 9011345	(000000-) Screw, Mtg [Ehpr98]	2
▲▲	23 9011346	(000000-) Harness, Jumper [Deutsch To Mpack]	1
▲▽	24 13904	(000000-) Fitting, Plug, Org, #6, Valve [Cec]	1
▲▲	25 77005	(000000-) Seal, Org, .078 X 00.47id 06	1
▲▽	26 373683	(000000-) Valve, Relief	1
▲▲	27 373647	(000000-) Seal Kit, Cartridge	1

Fig. 7 - Hydraulic Valve Breakdown, 1072995

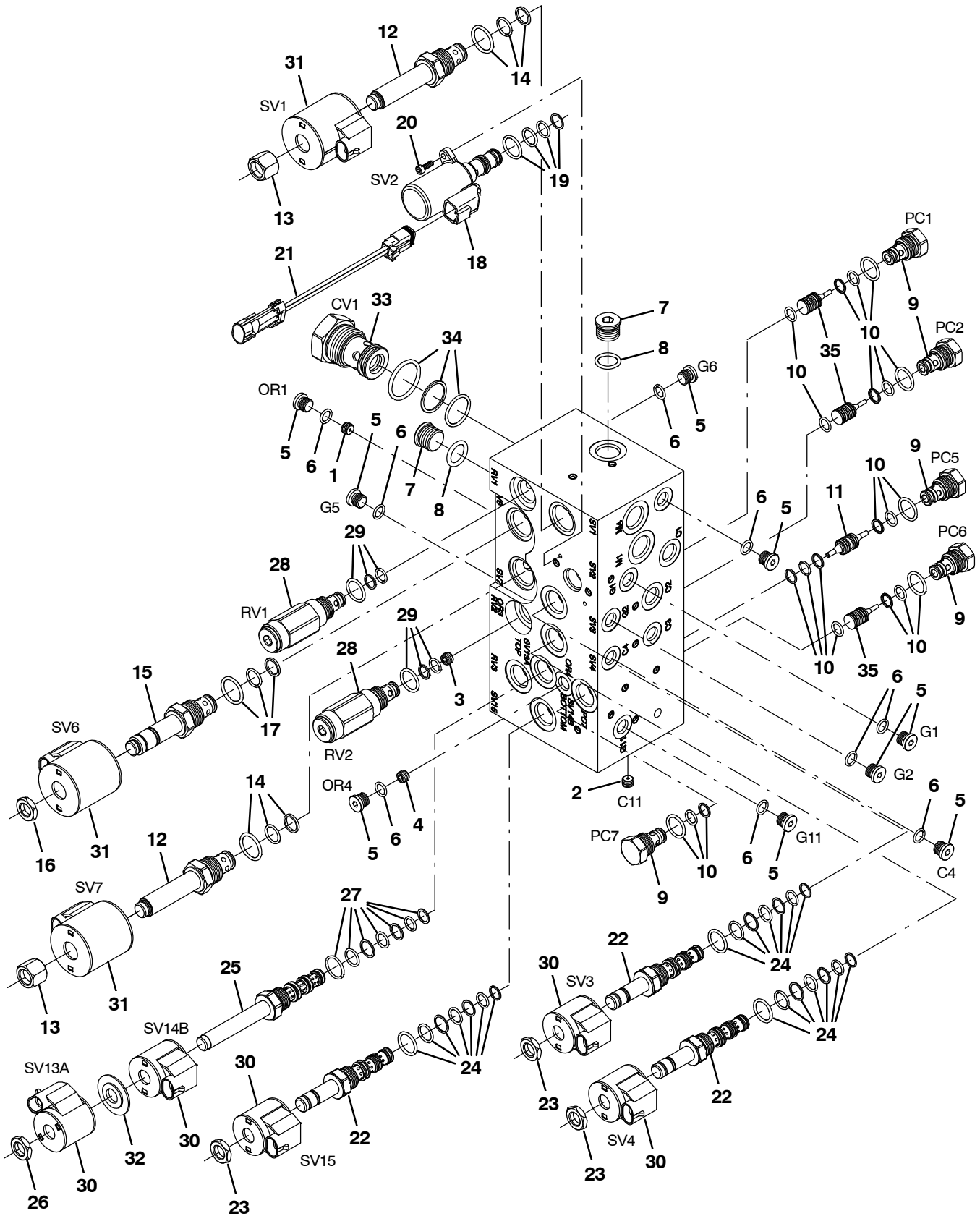


Fig. 7 – Hydraulic Valve Breakdown, 1072995

Ref.	Part No.	Serial Number	Description	Qty.
▽	1072995	(000000–) Valve, Cntrl, Hyd, Solenoid, 12vdc 10gpm	1
▲	1 373665	(000000–) Plug, Orifice, Valve, Hyd, .046	1
▲	2 373633	(000000–) Plug, Orifice, Valve, Hyd, .040	1
▲	3 9004475	(000000–) Plug Orifice, Valve, Hyd, .140	1
▲	4 373660	(000000–) Plug, Orifice, Valve, Hyd, .030	1
▲▽	5 74098	(000000–) Fitting, Hyd, Plug, Om04	9
▲▲	6 77003	(000000–) Seal, Org, .072 X 00.35id #04	1
▲▽	7 13904	(000000–) Fitting, Plug, Org, #6, Valve [Cec]	2
▲▲	8 77005	(000000–) Seal, Org, .078 X 00.47id #06	1
▲▽	9 373656	(000000–) Valve, Check	5
▲▲	10 373647	(000000–) Seal Kit, Cartridge	1
▲	11 373688	(000000–) Spool, Pilot, Dual, Hyd	1
▲▽	12 373663	(000000–) Valve, Stem, No	2
▲▲	13 373670	(000000–) Nut, Solenoid	1
▲▲	14 373671	(000000–) Seal Kit, Cartridge	1
▲▽	15 373667	(000000–) Stem, Valve, Hyd	1
▲▲	16 373648	(000000–) Nut, Coil, F/#8	1
▲▲	17 373671	(000000–) Seal Kit, Cartridge	1
▲▽	18 9011347	(000000–) Valve Assy [Proportional]	1
▲▲	19 9011343	(000000–) Seal Kit, Valve [Ehpr98]	1
▲▲	20 9011345	(000000–) Screw, Mtg [Ehpr98]	2
▲▲	21 9011346	(000000–) Harness, Jumper [Deutsch To Mpack]	1
▲▽	22 373657	(000000–) Stem, Valve, Hyd [4w2p]	3
▲▲	23 373648	(000000–) Nut, Coil, F/#8	1
▲▲	24 373647	(000000–) Seal Kit, Cartridge	1
▲▽	25 373637	(000000–) Valve, Cntrl, Solenoid	1
▲▲	26 373684	(000000–) Nut, Coil, Nyl Patch	2
▲▲	27 373671	(000000–) Seal Kit, Cartridge	1
▲▽	28 373666	(000000–) Valve, Relief	2
▲▲	29 373647	(000000–) Seal Kit, Cartridge	1
▲	30 373640	(000000–) Solenoid, #8, 12vdc	5
▲	31 373642	(000000–) Solenoid, #10, 12vdc	3
▲	32 373639	(000000–) Spacer, Coil, #8	1
▲▽	33 373668	(000000–) Valve, Check	1
▲▲	34 373671	(000000–) Seal Kit, Cartridge	1
▲	35 373658	(000000–) Spool, Pilot, Hyd	3

Fig. 8 – Hydraulic Steering Valve Breakdown, 1024260

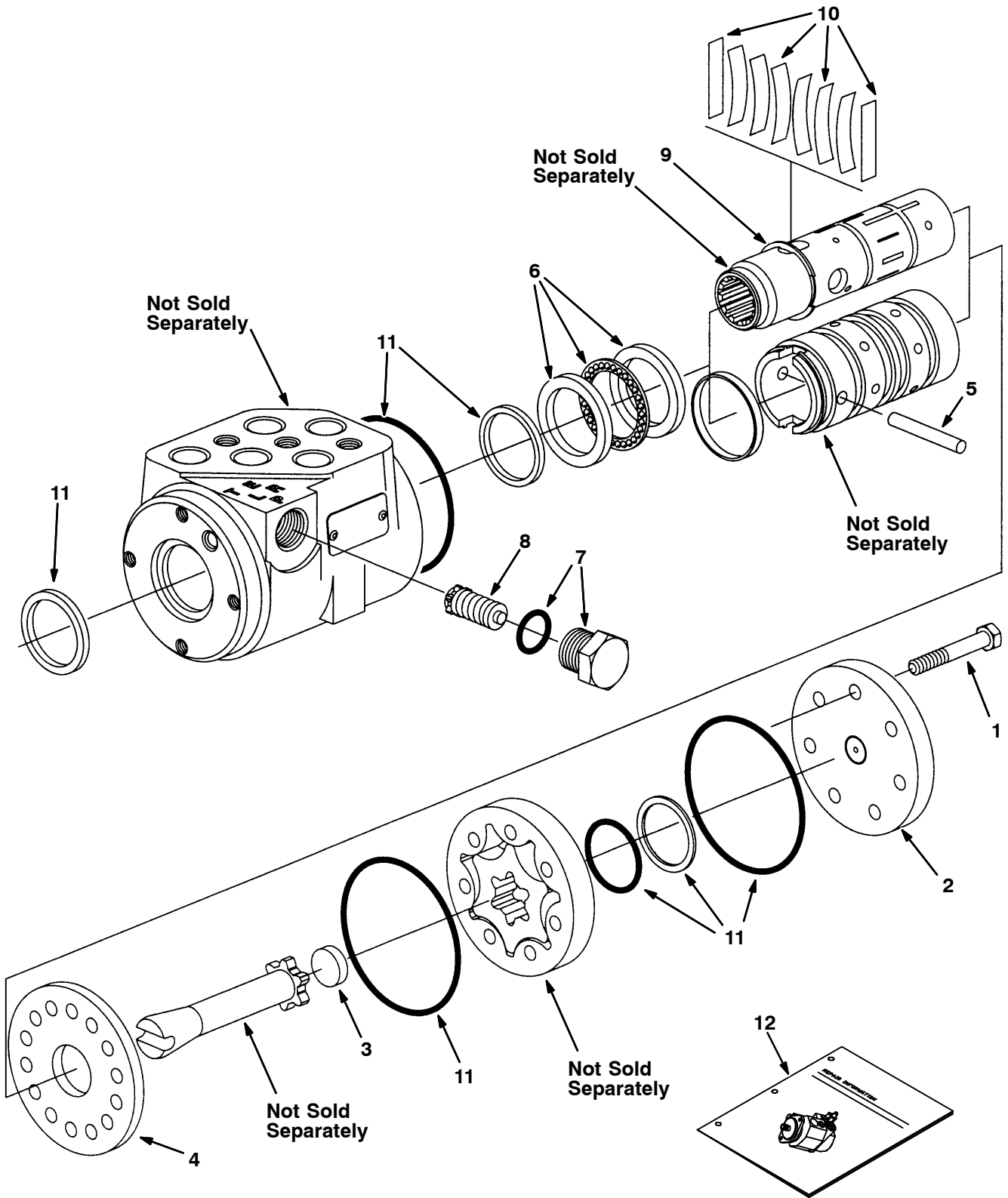
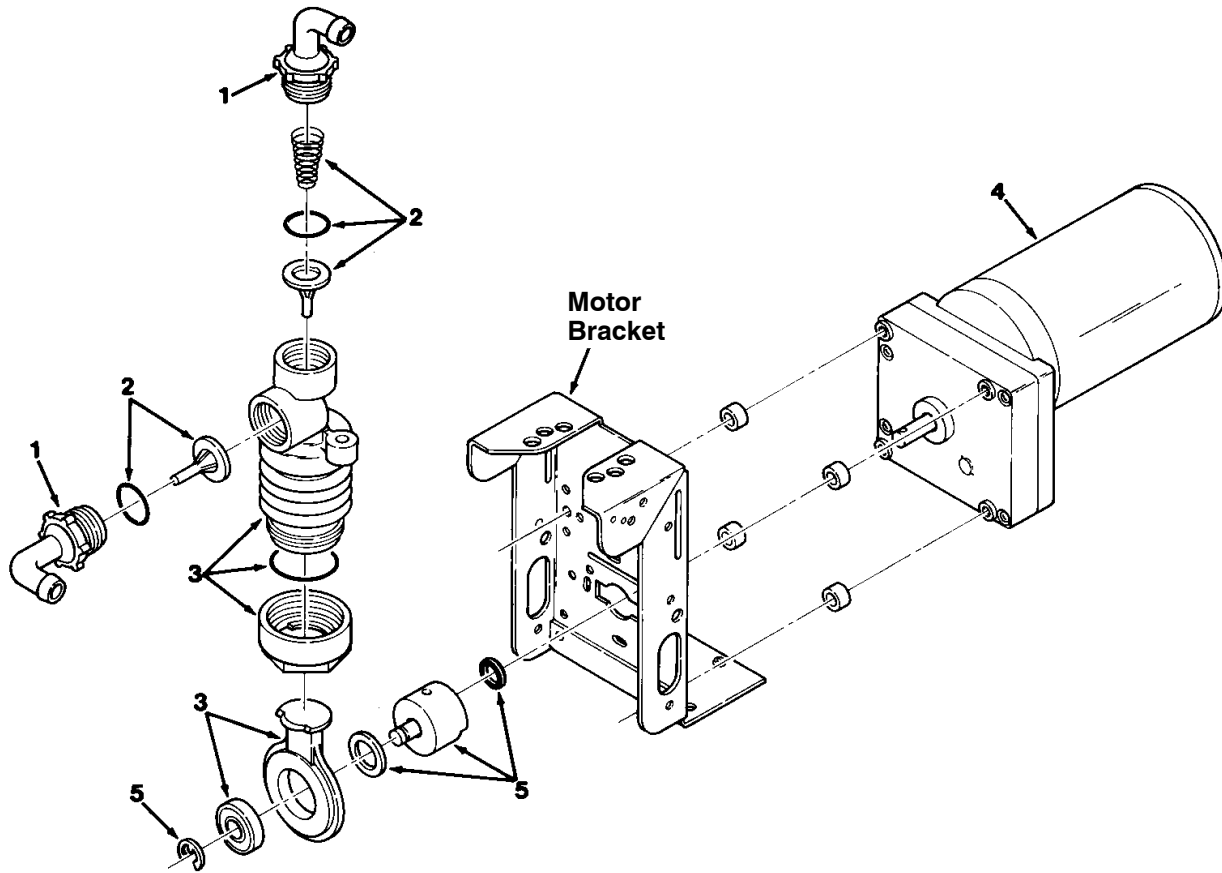


Fig. 8 – Hydraulic Steering Valve Breakdown, 1024260

	Ref.	Part No.	Serial Number	Description	Qty.
▽		1024260	(000000–) Steer–Control, Hyd05, 06.1 2030	1
▲	1	74183	(000000–) Screw, Valve, Steering	7
▲	2	74185	(000000–) Cap, End, Valve, Steering	1
▲	3	74193	(000000–) Spacer, Valve, Steering	1
▲	4	74222	(000000–) Plate, Wear, Steering Valve	1
▲	5	74232	(000000–) Pin, Valve, Steering	1
▲	6	21935	(000000–) Bearing Kit [C]	1
▲	7	21933	(000000–) Plug Assy [C]	1
▲	8	21934	(000000–) Valve Assy, Relief [C]	1
▲	9	74243	(000000–) Ring, Retainer, Steering Valve	1
▲	10	74196	(000000–) Spring Kit, Scu [C]	1
▲	11	74244	(000000–) Seal Kit, Steering [C]	1
▲	12	74245	(000000–) Instr, Valve, Steering, Repair	1

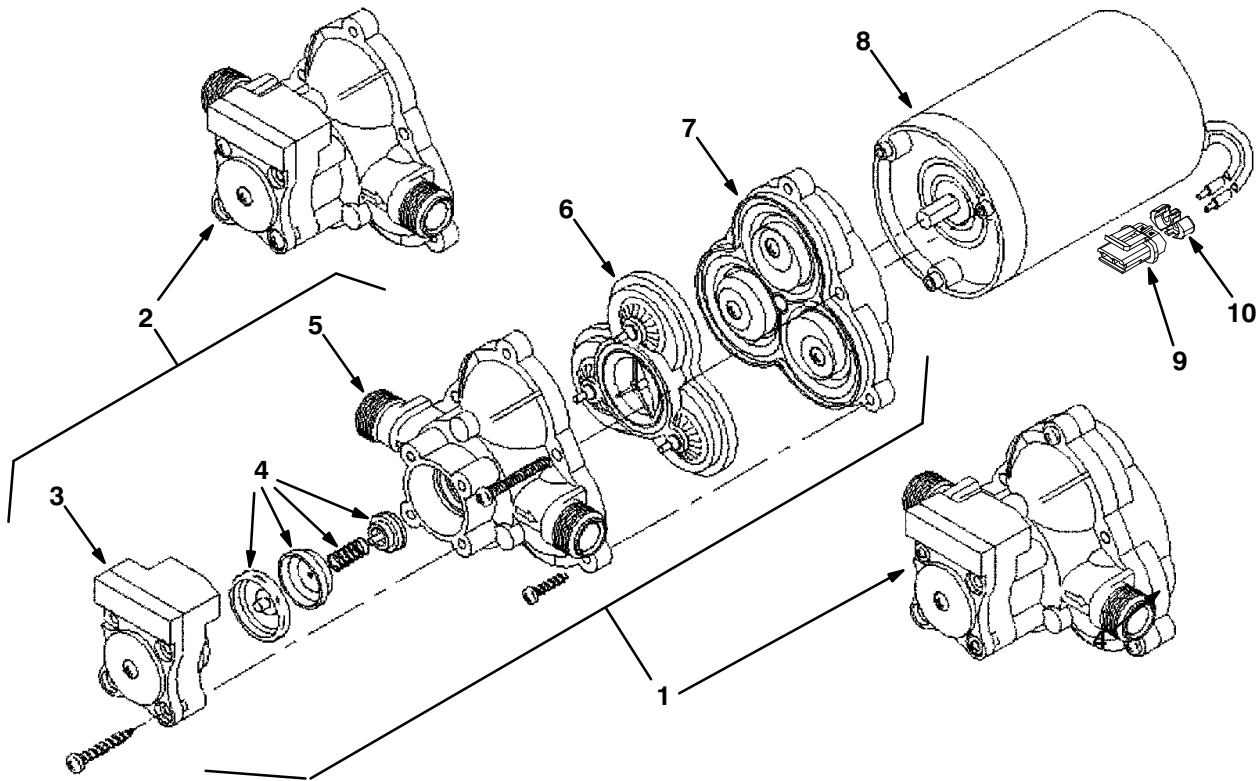
Fig. 9 – Metering Solution Pump Breakdown, 73260



00112 – ALL

Ref.	Part No.	Serial Number	Description	Qty.
▽	73260	(000000–) Pump, Detgt, 14vdc, 150ml/Min 20psi	1
▲	1 63923	(000000–) Tubing Connctr.Kit, Gorman Pmp	1
▲	2 21659	(000000–) Valve Kit, Poppet, Gorman Rupp	1
▲	3 21657	(000000–) Kit, Bellows, Pump, Detgt	1
▲	4 78875	(000000–) Motor, Ele, Gear, 14vdc, Pump, Detgt	1
▲	5 02430	(000000–) Crank Kit, Pump, F/79323, Replmt	1

Fig. 10 – Water Pump Breakdown, 1026743



07490 – 09670

Ref.	Part No.	Serial Number	Description	Qty.
▽	1026743	(000000–) Pump, Diaphragm	1
▲	1	1031802	(000000–) Complete Pump Kit, Pump, Repair,	1
▲	2	1031803	(000000–) Hsg & Switch Kit, Pump, Repair,	1
▲	3	1031796	(000000–) Switch Kit, Pump, Repair,	1
▲	4	1031797	(000000–) Check Valve Kit, Pump, Repair,	1
▲	5	1031798	(000000–) Upper Hsg Kit, Pump, Repair,	1
▲	6	1031799	(000000–) Bypass Valve Kit, Pump, Repair,	1
▲	7	1031800	(000000–) Diaphragm Kit, Pump, Repair,	1
▲	8	1031801	(000000–) Motor Kit, Pump, Repair,	1
▲	9	78950	(000000–) Connector, Fem, 02cav, Mp280 Sealed	1
▲	10	78952	(000000–) Lock, Secondary, 2cav, Mp280 Sealed	1
▲		78951	(000000–) Terminal, Fem, Mp280, Sealed, 18–16ga	2
▲		10917	(000000–) Seal, Wire, 14/16ga [Wp / Mp280 Sealed]	2

Fig. 11 – ec-H2O Module Assembly Breakdown, 9007882

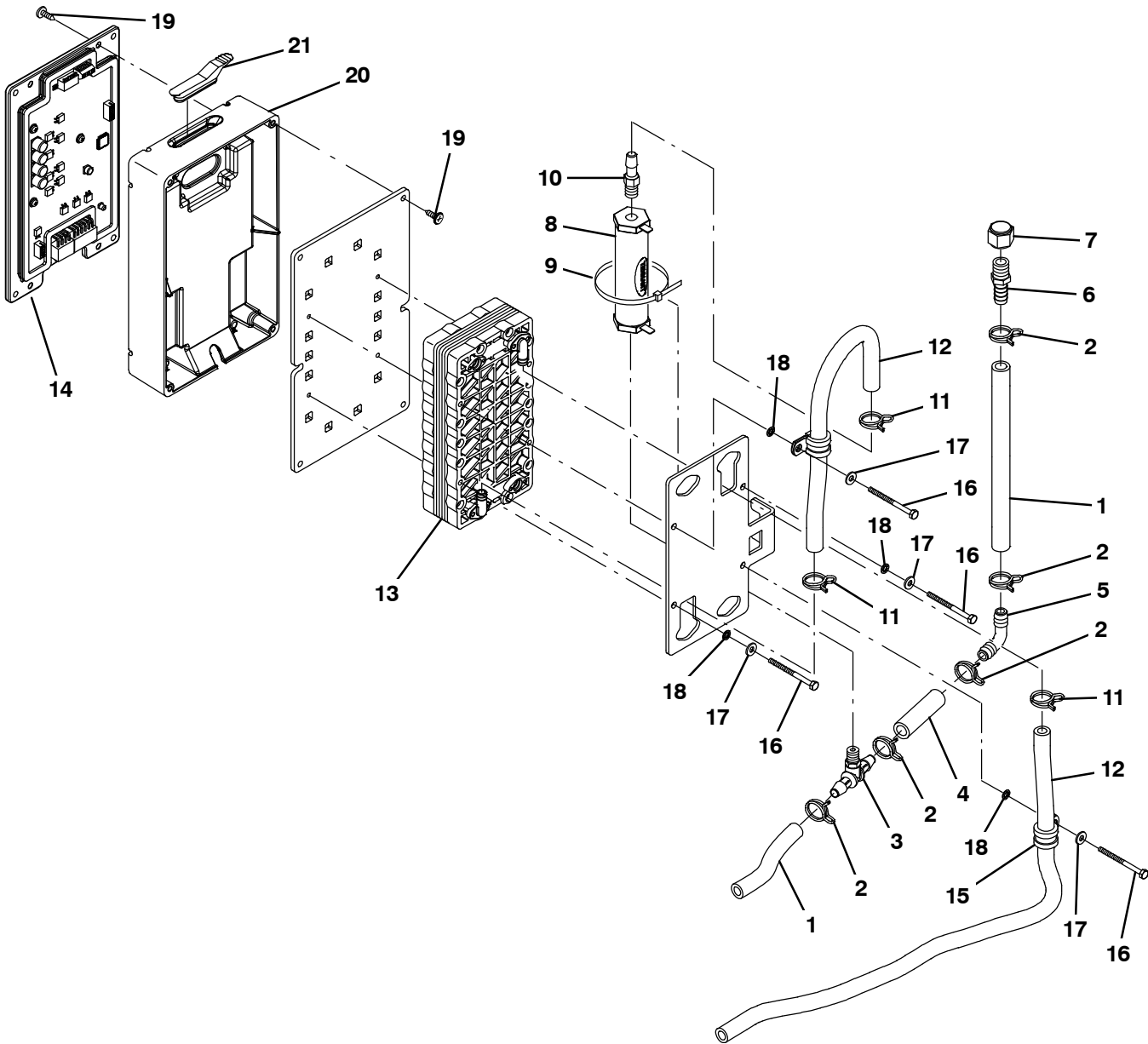


Fig. 11 – ec-H20 Module Assembly Breakdown, 9007882

Ref.	Part No.	Serial Number	Description	Qty.
▽	9007882	(000000–) Module Kit, Replmt [Ec-H20]	1
▲	1 1014974	(000000–) Hose, Afmkt, Pvc, Brd, 0.38id, 02ft, Clr	2
▲	2 607775	(000000–) Clamp, Hose, Wir, .63 – .66, Blk	5
▲	3 1060517	(000000–) Fitting, Plstc, Tee, Bm06/Pm02/Bm06	1
▲	4 1014971	(000000–) Hose, Afmkt, Pvc, Brd, 0.38id, 01ft, Clr	1
▲	5 20951	(000000–) Fitting, Plstc, E90, Bm06/Bm06	1
▲	6 150540	(000000–) Fitting, Plstc, Str, Bm06/Pm04	1
▲	7 1005435	(000000–) Fitting, Plstc, Pipe, Cap, Pf04	1
▲	8 1038159	(000000–) Electrode, Cylindrical	1
▲	9 44961	(000000–) Tie, Cable, Nyl, 14.5l .30w 4.0 Max D	1
▲	10 1060695	(000000–) Fitting, Plstc, Str, Pm02/Bm05	1
▲	11 1053464	(000000–) Clamp, Hose, Wir, .52 – .56, Yel	3
▲	12 1052336	(000000–) Hose, Afmkt, PVC, Brd, 0.31id, 03Ft, Clr	1
▲	13 1057637	(000000–) Electrode, 5 Plate, High Flow	1
▲	14 9007883	(000000–) Controller Kit, Replmt [Ec-H20]	1
▲	15 1016354	(000000–) Clamp, Cable, Ss, 0.50d X 0.50w [Insul]	2
▲	16 32509	(000000–) Screw, Hex, M4 X 0.70 X 50, Ss	4
▲	17 41579	(000000–) Washer, Flat, 08, Ss	4
▲	18 02938	(000000–) Washer, Lock, Int, 08, Ss	4
▲	19 1018155	(000000–) Screw, Pan, Phl, M5 X 0.80 X 16, Tcut,Ss	8
▲	20 1037032	(000000–) Housing, Bottom	1
▲	21 1054776	(000000–) Grommet, Blind	1

Fig. 12 – Seat Breakdown, 9018721

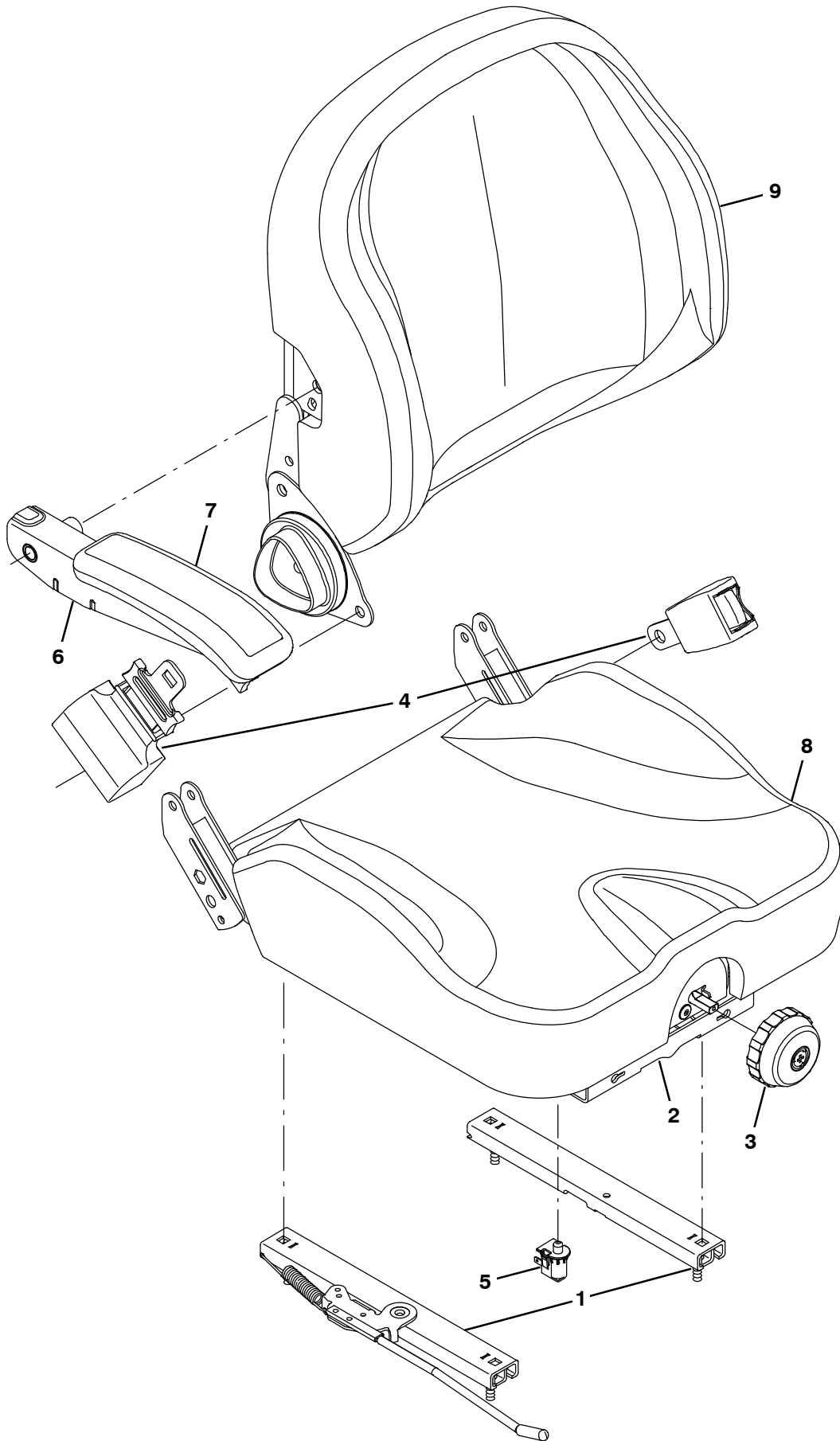


Fig. 12 – Seat Breakdown, 9018721

	Ref.	Part No.	Serial Number	Description	Qty.
▽		9018721	(000000–) Seat, Deluxe, Replmt [M20/T20/M30]	1
▲	1	9012585	(000000–) Track Assy, Slide	1
▲	2	9012587	(000000–) Bellows, Seat	1
▲	3	9012589	(000000–) Knobs, Adjmt, Weight	1
▲	4	9018734	(000000–) Seatbelt, Retract, Orange, Replmt	1
▲	5	9012591	(000000–) Switch, Seat	1
▲	6	9012592	(000000–) Armrest	1
▲	7	9012593	(000000–) Pad, Armrest	1
▲	8	9012594	(000000–) Cover, Cushion	1
▲	9	9012595	(000000–) Cover, Backrest	1

Fig. 13 – Steering Gearbox Breakdown, 9015636

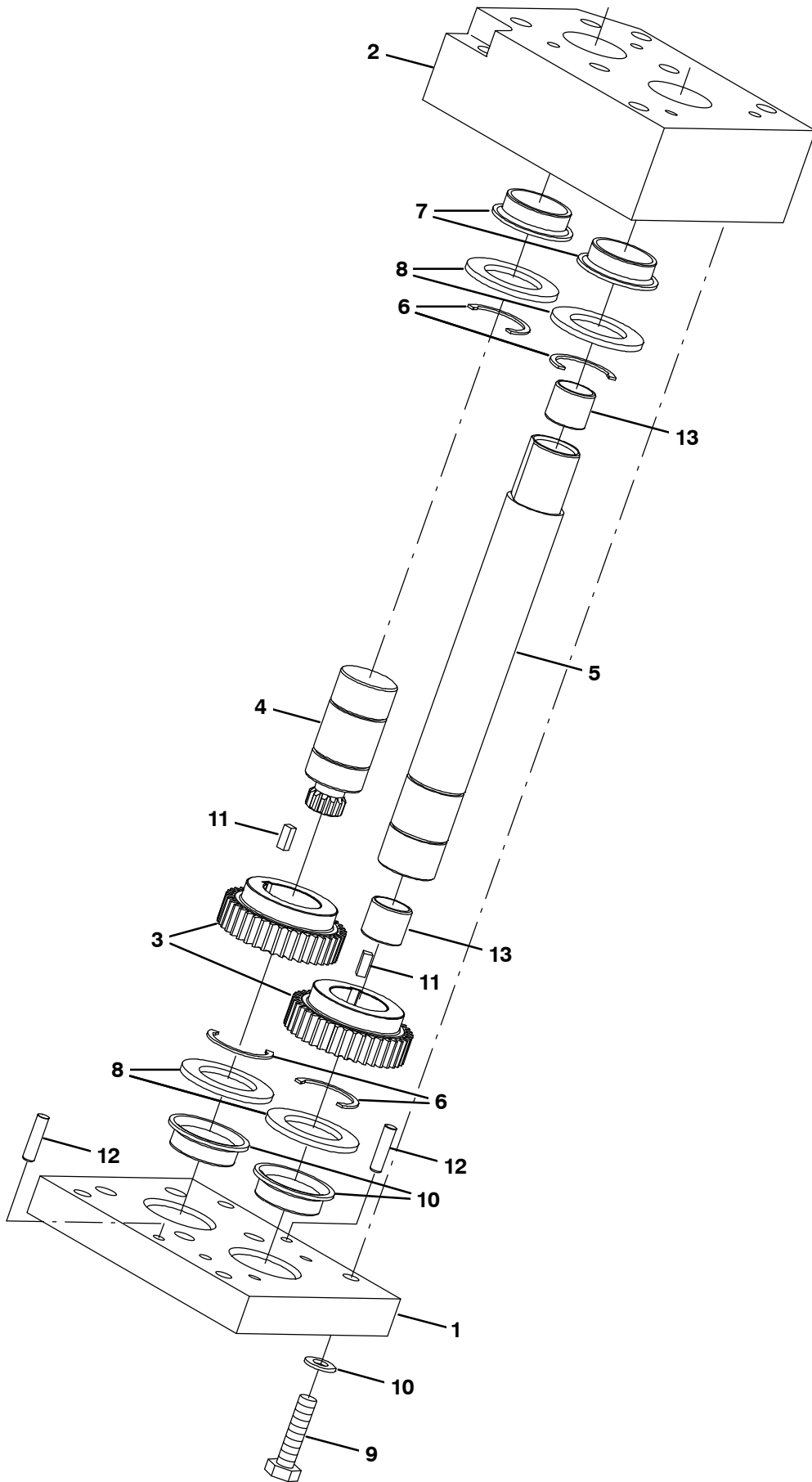
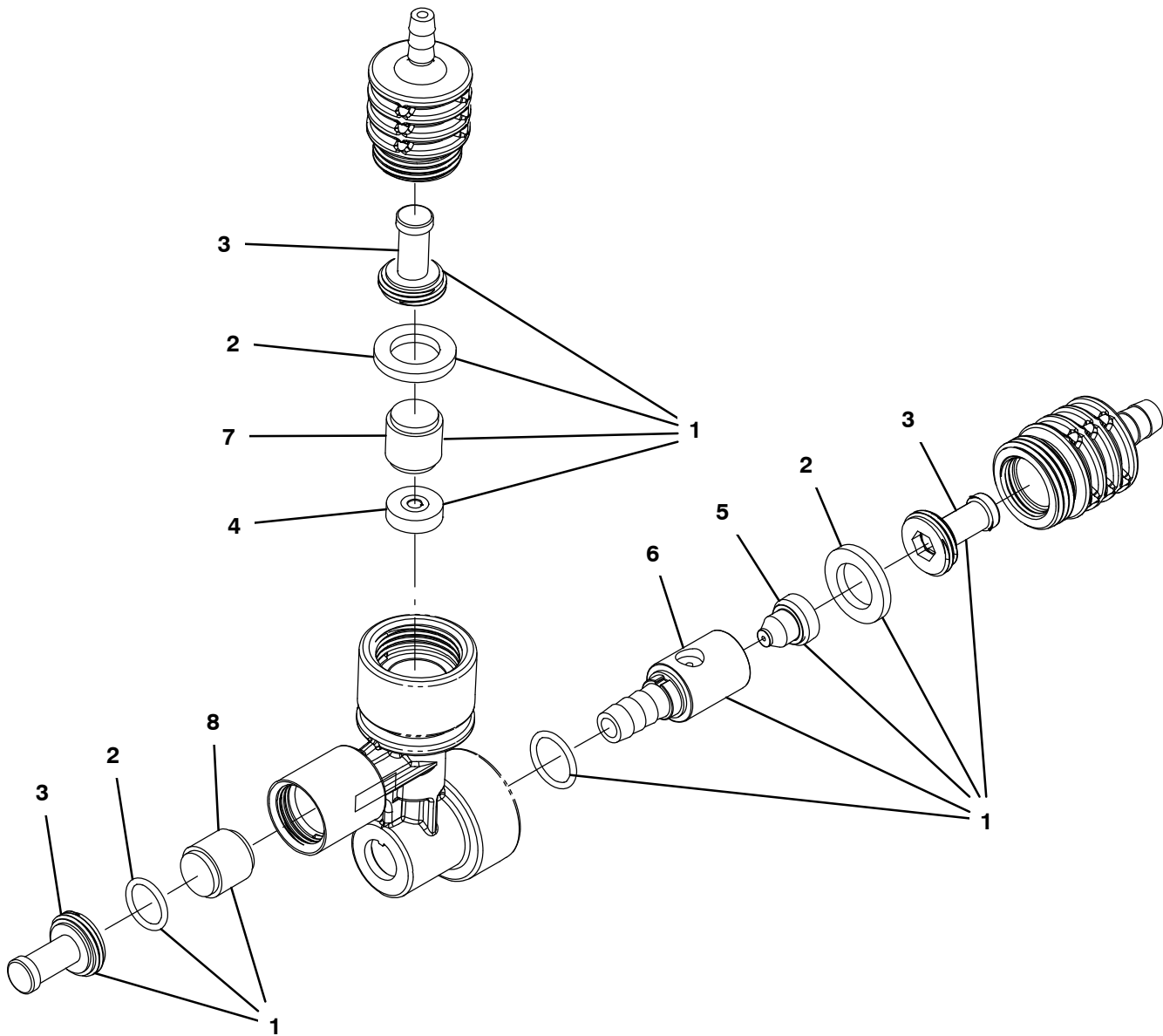


Fig. 13 – Steering Gearbox Breakdown, 9015636

	Ref.	Part No.	Serial Number	Description	Qty.
▽		9015636	(000000–) Gearbox Kit, Steering, Afmkt[M20/30/T20]	1
▲	1	1224091	(000000–) Housing, Gear, Top	1
▲	2	1224092	(000000–) Housing, Gear, Bottom	1
▲	3	1222953	(000000–) Gear, Steering	2
▲	4	1224093	(000000–) Shaft, Gear, Orbital	1
▲	5	1224094	(000000–) Shaft. Sterring	1
▲	6	59681	(000000–) Ring, Retaining, Ext, 1.25d	4
▲	7	1210624	(000000–) Bushing, Flng, 1.25b 1.41d 0.50l	4
▲	8	763024	(000000–) Washer, Thrust, 1.26b 1.97d 0.13, Bnz	4
▲	9	41342	(000000–) Screw, Hex, M8 X 1.25 X 40, 8.8	4
▲	10	39349	(000000–) Washer, Flat, 0.31, Sae	4
▲	11	00961	(000000–) Key, Sq, 0.19 X 0.19, 0.50l	2
▲	12	83043	(000000–) Pin, Dowel, 0.2502d X 1.00l	2
▲	13	1057785	(000000–) Bearing, Journal, 0.75b 0.88d 0.75l	2

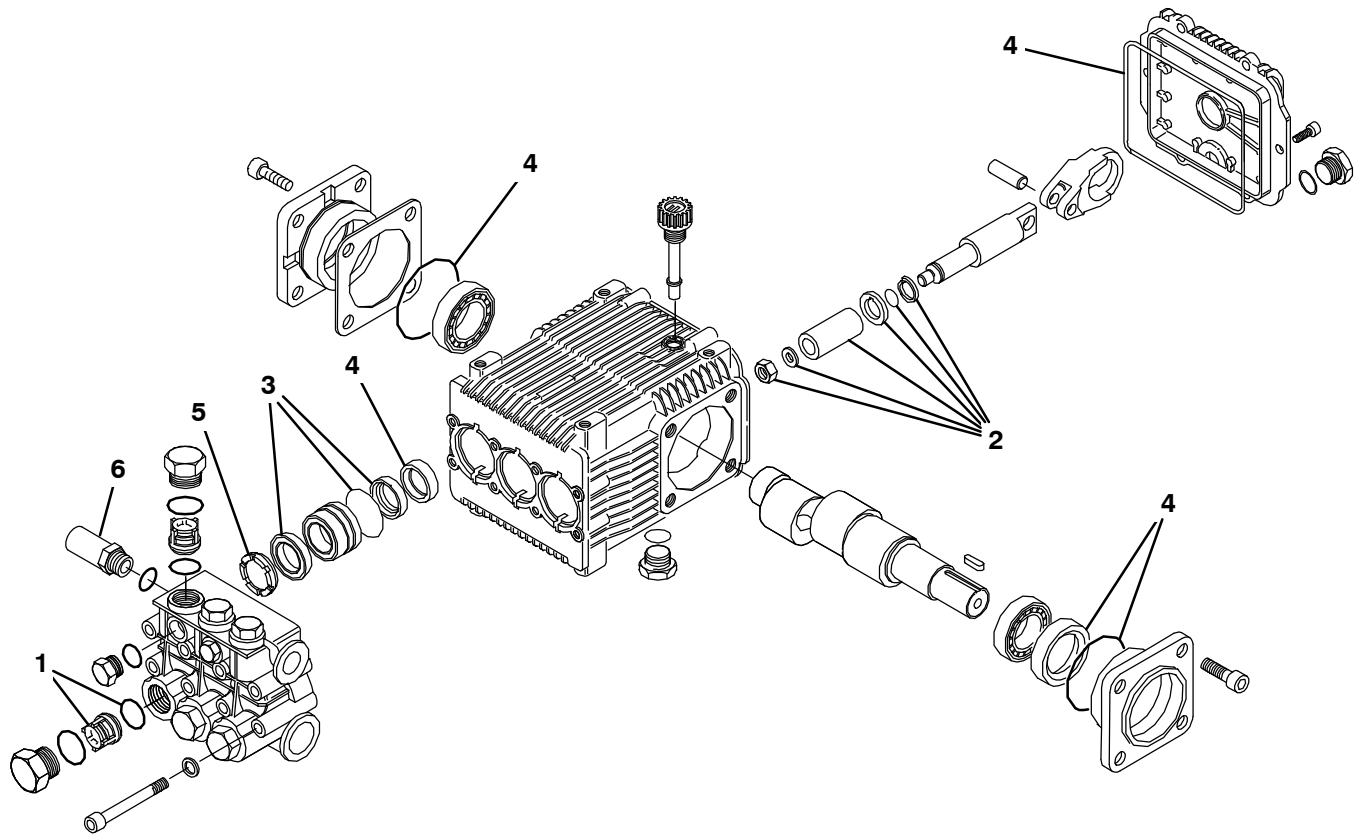
Fig. 14 – FaST Injector Assembly Breakdown, 9008868



356271

Ref.	Part No.	Serial Number	Description	Qty.
▽	9008868	(000000–) FaST Kit, Injector [M20/T20/m30 FaST III}	1
▲▽	1 9008757	(000000–) FaST Kit, Ci [inj Reblid, M30/M20 III]	1
▲▲	2 9008848	(000000–) FaST Kit, Seal, injector, Ci [FaST III]	1
▲▲	3 9003009	(000000–) FaST Kit, Ci, Injector Filters[FaST li+]	1
▲▲	4 1059878	(000000–) Plate Assy, Orifice, 0.0105ld, Green	1
▲▲	5 1042710	(000000–) Plug, Orifice, 0.060, Ss [FaST li+]	1
▲▲	6 1059234	(000000–) Insert, :Lrg [Venturi, FaST III]	1
▲▲	7 1030444	(000000–) Valve, Check, 0002psi [FaST li+]	1
▲▲	8 1030441	(000000–) Valve, Check, 0005psi [FaST li+]	1

Fig. 15 – Water Pump Motor Breakdown, 1225829



354649

Ref.	Part No.	Serial Number	Description	Qty.
▽	1225829	(000000–) Pump, Hyd, Press Washer	1
▲	1 9004290	(000000–) Valve Kit	1
▲	2 9004291	(000000–) Piston Kit	1
▲	3 9004288	(000000–) Seal Kit [Buna]	1
▲	3 9004272	(000000–) Seal Kit [Vitron]	1
▲	4 9004289	(000000–) Seal Kit, Oil	1
▲	5 9004292	(000000–) Ring Kit, Spt	1
▲	6 1227137	(000000–) Valve, Hyd, Press Washer	1

SECTION 5

Contents	Page
Fig. 1 – Crankcase Group	5-2
Fig. 2 – Oil Pan Group	5-4
Fig. 3 – Cylinder Head Group	5-5
Fig. 4 – Gear Case Group	5-6
Fig. 5 – Water Pump Group	5-8
Fig. 6 – Main Bearing Case Group	5-9
Fig. 7 – Head Cover Group	5-10
Fig. 8 – Manifold Group	5-11
Fig. 9 – Valve, Rocker Arm Group	5-12
Fig. 10 – Fuel Camshaft Group	5-13
Fig. 11 – Camshaft Group	5-14
Fig. 12 – Piston and Crankshaft Group	5-16
Fig. 13 – Flywheel Group	5-18
Fig. 14 – Starter Breakdown, 74405	5-19
Fig. 15 – Nozzle Holder and Glow Plug Group	5-20
Fig. 16 – Nozzle Holder Breakdown	5-21
Fig. 17 – Injection Pump Group	5-22
Fig. 18 – Injection Pump Breakdown	5-24
Fig. 19 – Idling Group	5-26
Fig. 20 – Speed Control Plate Group	5-27
Fig. 21 – Governor Group	5-28
Fig. 22 – Water Flange Group	5-29

Fig. 1 - Crankcase Group

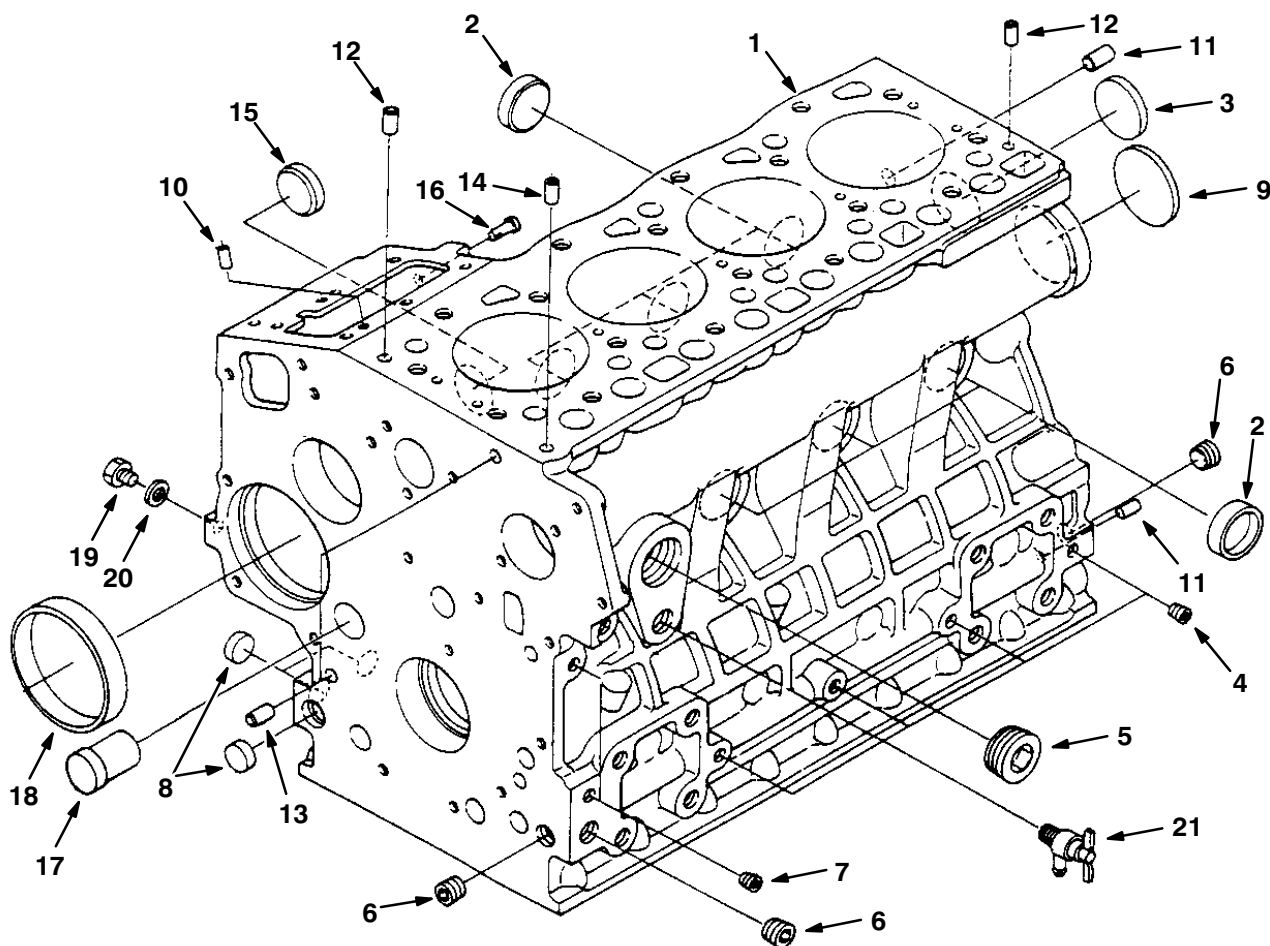
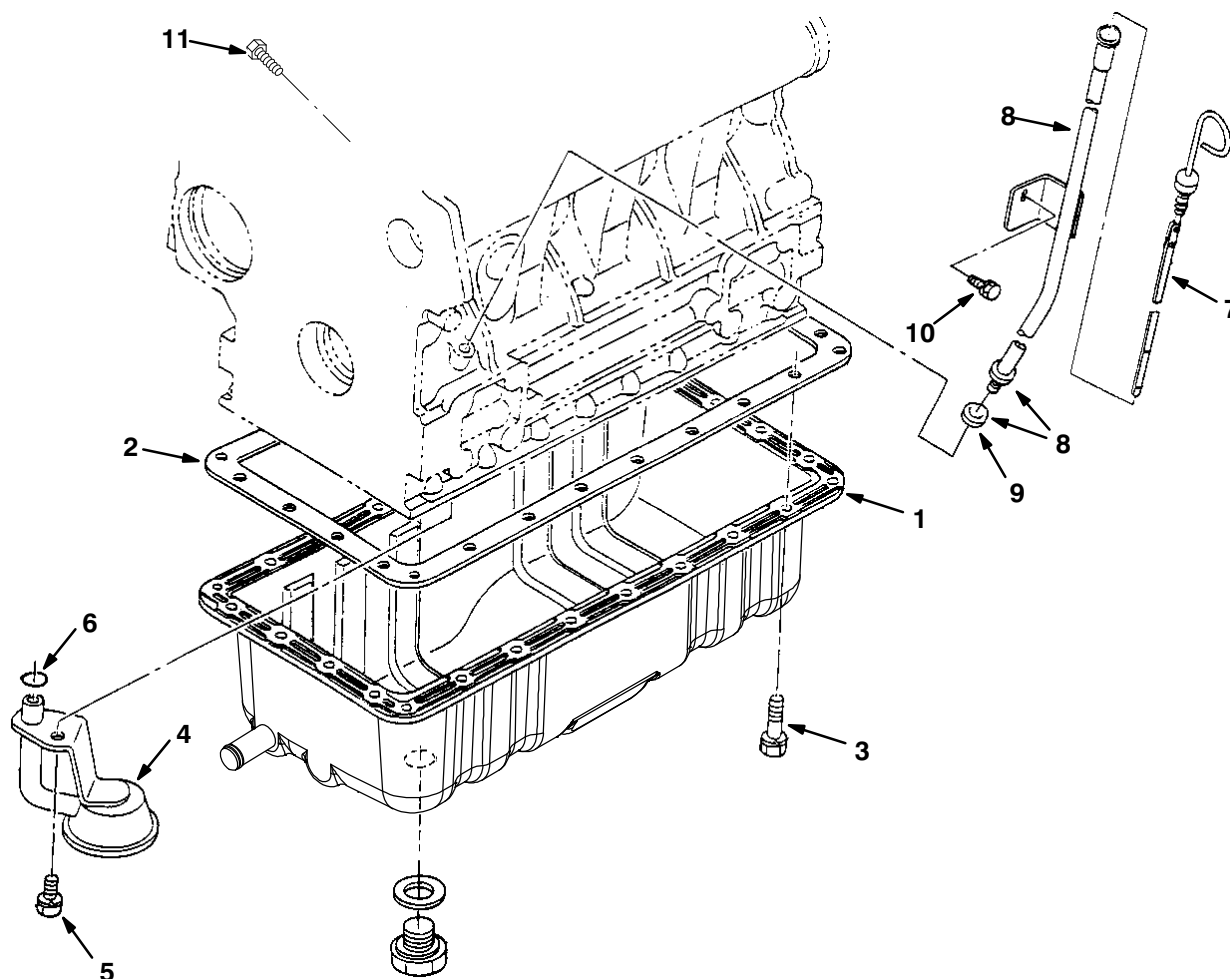


Fig. 1 – Crankcase Group

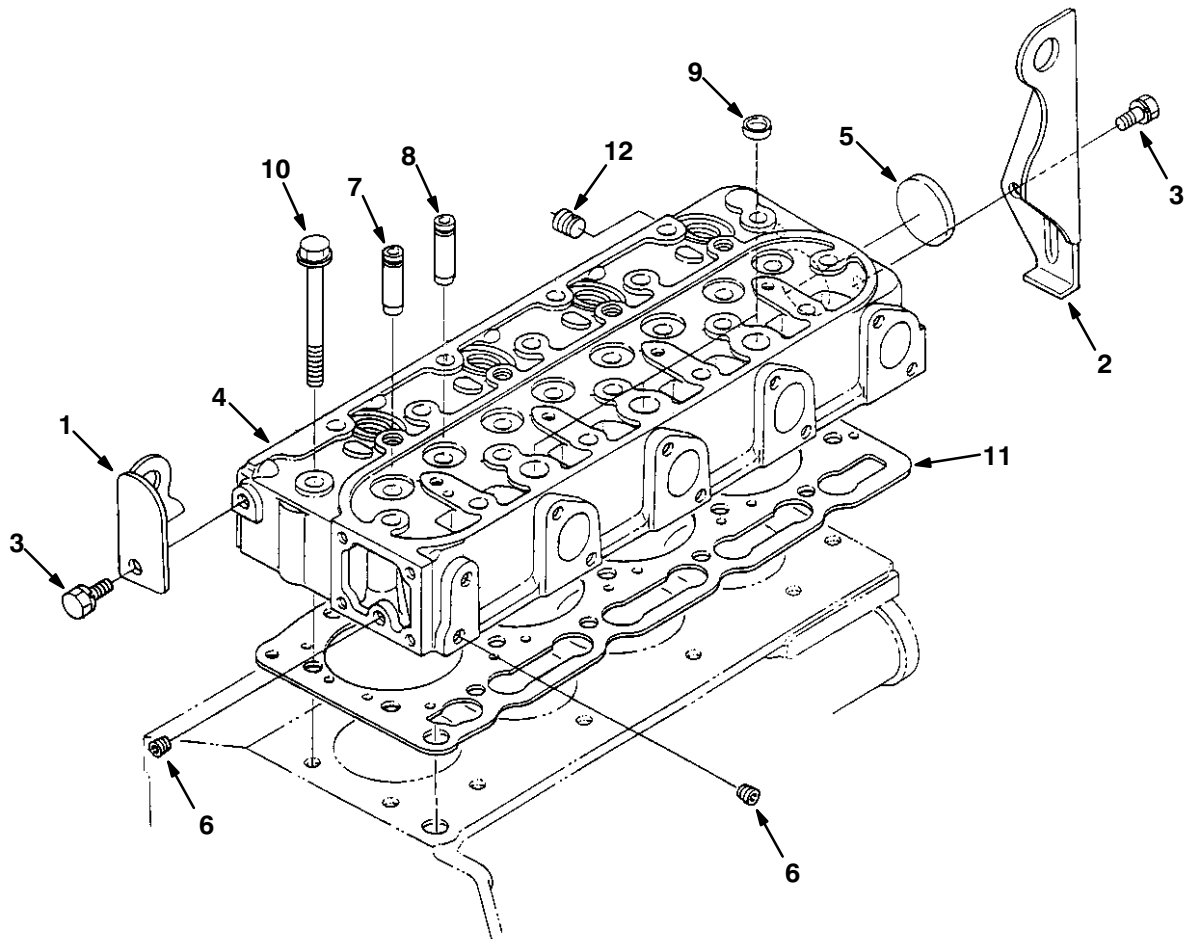
	Ref.	Part No.	Description	Qty.
▽	1	9004335	Crankcase, Complt [Ku]	1
▲	2	70998	Plug, Cup, Sealing [Ku]	6
▲	3	39087	Plug, Cup, Sealing [Ku]	1
▲	4	39088	Fitting, Pipe, Plug [Ku]	4
▲	5	70999	Plug, Eng [Ku]	1
▲	6	71985	Fitting, Pipe, Plug [Ku]	3
▲	7	39051	Fitting, Pipe, Plug [Ku]	2
▲	8	361436	Plug, Cup, Sealing [Ku]	3
▲	9	71986	Plug, Cup, Sealing [Ku]	1
▲	10	71987	Pin, Dowel [Ku]	2
▲	11	71988	Pin, Dowel [Ku]	2
▲	12	9004431	Pin, Straight [Ku]	2
▲	13	71990	Pin, Eng [Ku]	2
▲	14	71991	Tube, Pin [Ku]	1
▲	15	71992	Plug, Cup, Sealing [Ku]	1
▲	16	9004337	Pin, Start, Spring	1
▲	17	71993	Plug, Eng [Ku]	1
▲	18	70887	Bushing, Gear, Gov [Ku]	1
▲	19	39062	Fitting, Plug [Ku]	1
▲	20	393570	Gasket	1
	21	70888	Fitting, Draincock [Ku]	1

Fig. 2 – Oil Pan Group



Ref.	Part No.	Description	Qty.
1	1023144	Pan, Oil, Dsl	1
2	70889	Gasket, Pan, Oil	1
3	9004338	Bolt [Ku]	26
4	9003888	Filter, Oil [Ku]	1
5	39094	Screw, Hex [Ku]	1
6	9004339	O-Ring [Ku]	1
7	9004435	Gauge, Oil [Ku]	1
▽ 8	361428	Dipstick, Oil [Ku]	1
▲ 9	361366	Seal, Org [Ku]	1
10	39073	Screw, Hex [Ku]	1
	66187	Gasket Set	1
11	9004348	Plug, Gauge, Oil [Ku]	1

Fig. 3 – Cylinder Head Group



Ref.	Part No.	Description	Qty.	
	1	71996	Ear, Lifting, Eng [Ku]	1
	2	71997	Ear, Lifting, Eng [Ku]	1
	3	39073	Screw, Hex [Ku]	2
▽	4	9004340	Head, Cylinder [Ku]	1
▲	5	393504	Cap, Sealing	1
▲	6	39088	Fitting, Pipe, Plug [Ku]	2
▲	7	372906	Guide, Valve, Inlet	4
▲	8	372907	Guide, Valve, Exhaust	4
▲	9	71999	Cap, Sealing, Eng [Ku]	3
	10	70897	Screw, Hex, Head, Cyl [Ku]	18
	11	9004341	Gasket, Head, Cyl [Ku]	1
		66194	Gasket Set, Upper	1
	12	72010	Fitting, Pipe, Plug [Ku]	1

Fig. 4 – Gear Case Group

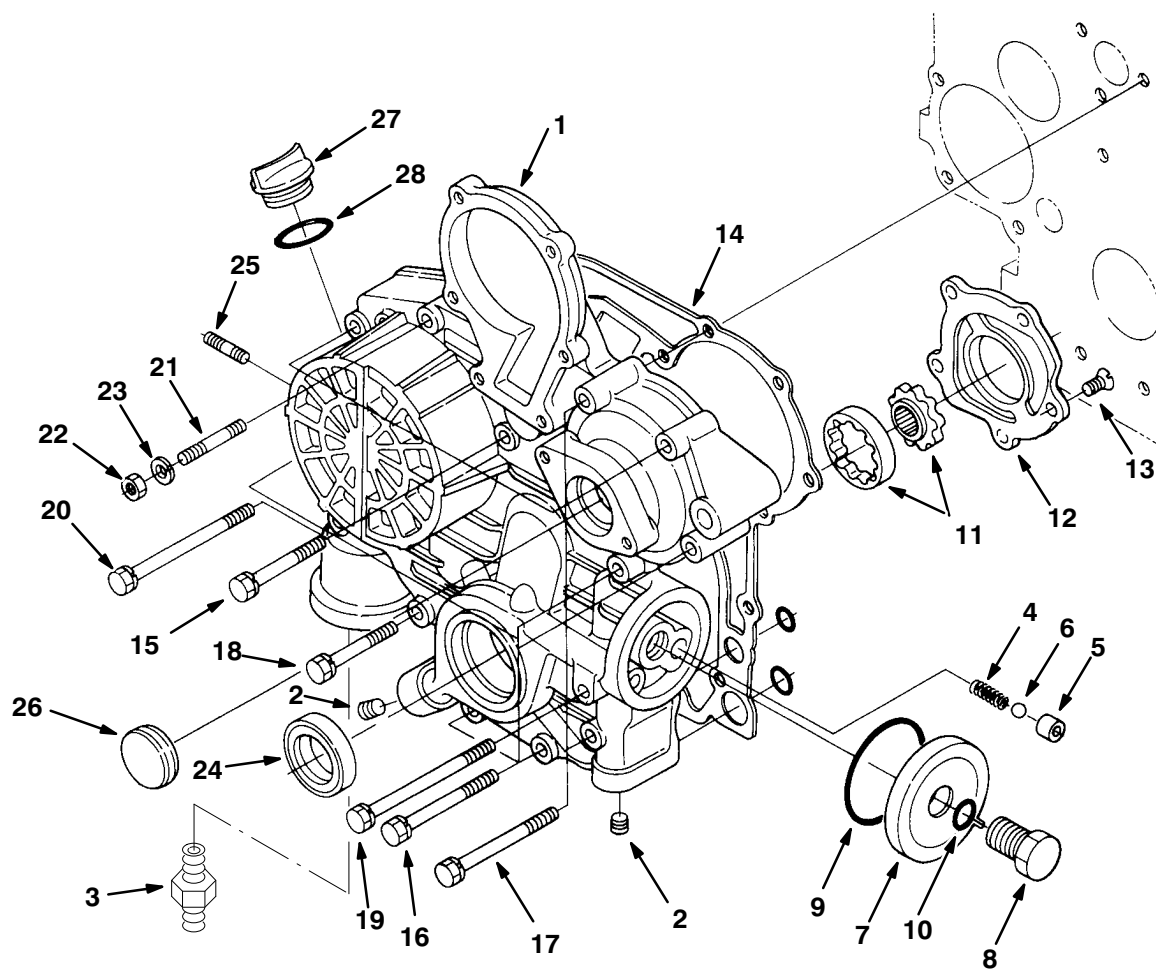
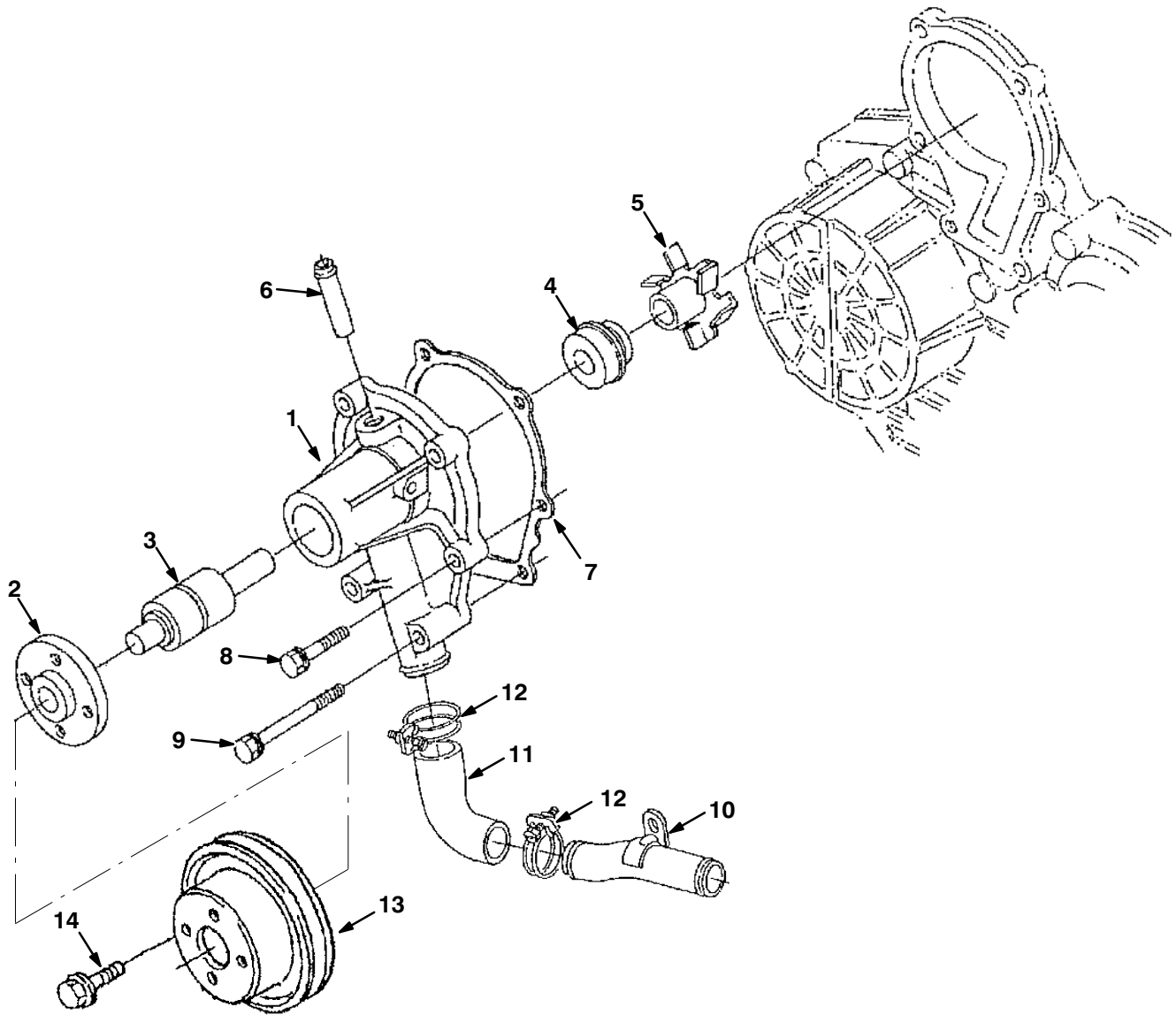


Fig. 4 – Gear Case Group

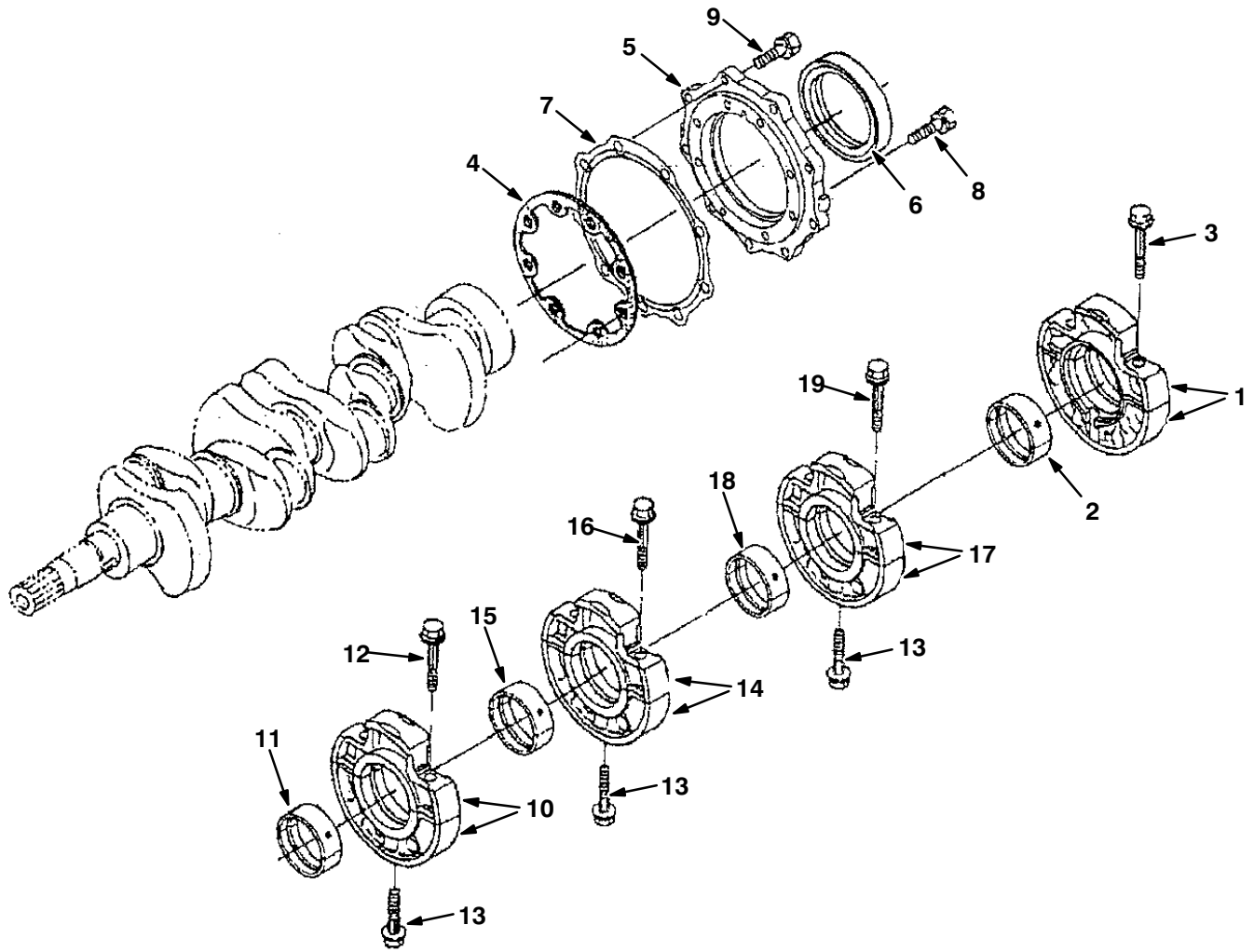
	Ref.	Part No.	Description	Qty.
▽	1	9004432	Crankcase, Comp [Ku]	1
▲	2	361401	Fitting, Pipe, Plug [Ku]	5
▲	3	12916	Fitting, Fltr, Oil [Ku]	1
▲	4	70900	Spring, Cmpr, Relief [Ku]	1
▲	5	70901	Tube, Seat, Valve, Oil [Ku]	1
▲	6	70902	Ball, Relief, Oil [Ku]	1
▲	7	70905	Cover	1
▲	8	70906	Bolt	1
▲	9	70907	Seal, Org [Ku]	1
▲	10	70911	Seal, Org	1
▲	11	70903	Pump, Oil, Eng [Ku]	1
▲	12	70904	Cover, Pump, Oil	1
	13	72013	Screw, Flt [Ku]	5
	14	70912	Gasket, Case, Gear [Ku]	1
	15	72993	Screw, Hex [Ku]	3
	16	384872	Bolt	4
	17	72994	Screw, Hex [Ku]	2
	18	72014	Screw, Hex [Ku]	1
	19	72015	Screw, Hex [Ku]	2
	20	72016	Bolt	1
	21	9004346	Stud [Ku]	1
	22	39121	Nut, Hex [Ku]	1
	23	39065	Washer, Lock, Split [Ku]	1
	24	361389	Seal, Oil, Front [Ku]	1
	25	9004347	Stud [Ku]	2
	26	72019	Cover	1
	27	361374	Cap, Filler, Oil [Ku]	1
	28	70913	Seal, Org	1

Fig. 5 – Water Pump Group



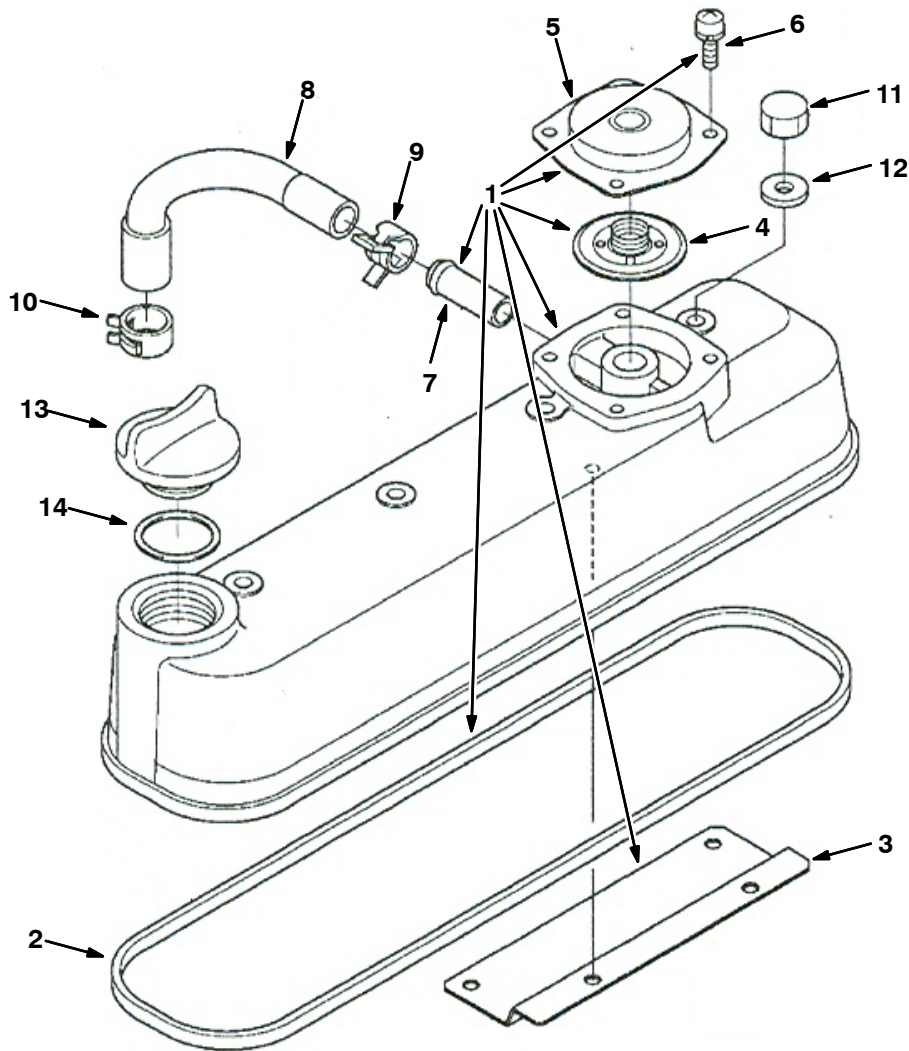
Ref.	Part No.	Description	Qty.	
▽	1	9004402	Pump, Water Assy [Ku]	1
▲	2	70919	Flange, Pump, Water [Ku]	1
▲	3	9004403	Bearing [Ku]	1
▲	4	9004404	Seal, Mechanical Assy [Ku]	1
▲	5	9004405	Impeller, Pump, Water [Ku]	1
▲	6	361440	Fitting, Pipe, Water [Ku]	1
	7	70920	Gasket, Pump, Water [Ku]	1
	8	9004406	Bolt [Ku]	4
	9	9004407	Bolt [Ku]	2
	10	9003868	Pipe, Water [Kubota]	1
	11	9003869	Pipe, Water [Kubota]	1
	12	9003870	Clamp [Kubota]	2
	13	55847	Sheave, Fan [Ku]	1
	14	393588	Bolt, Flng	4

Fig. 6 – Main Bearing Case Group



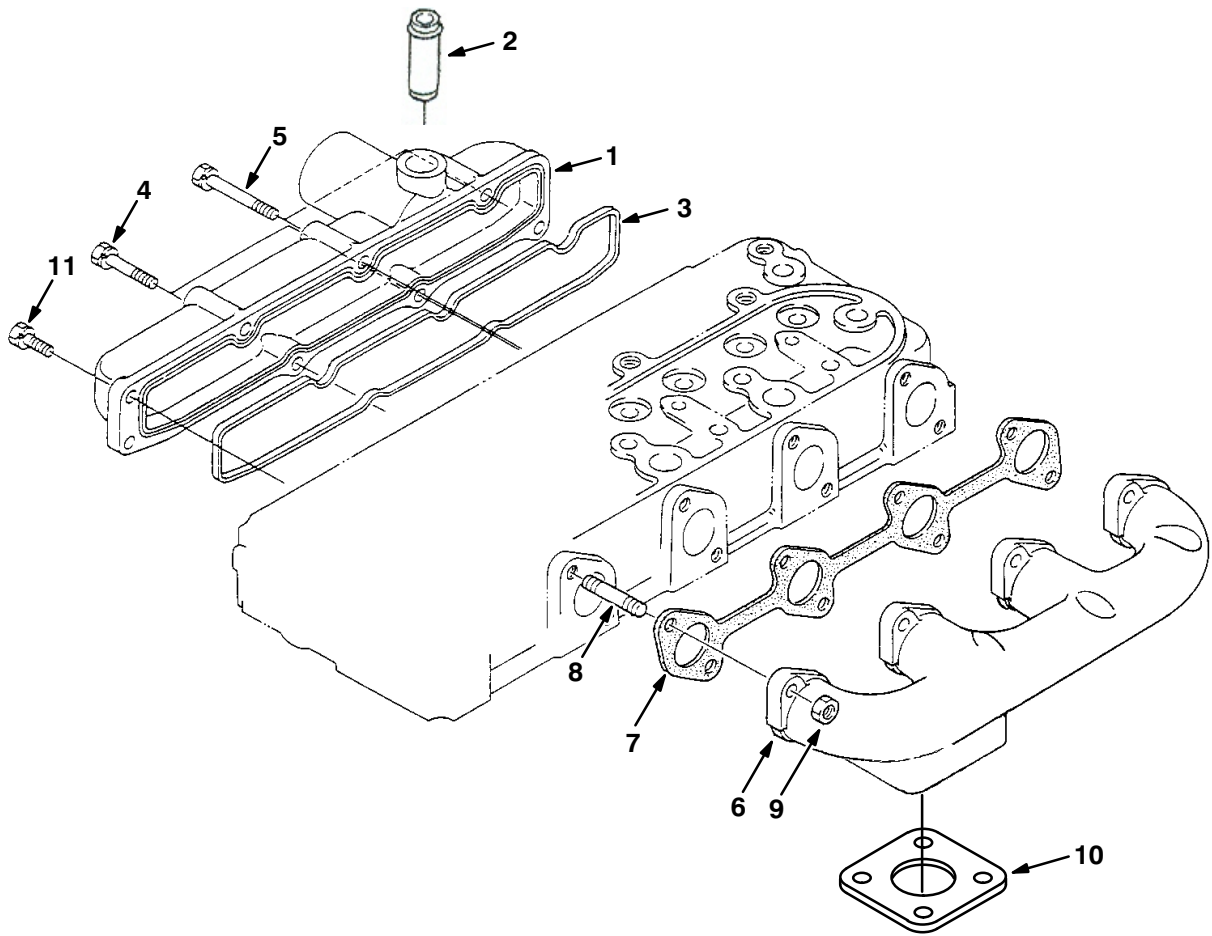
Ref.	Part No.	Description	Qty.	
▽	1	9004349	Bearing, Case [Ku]	1
▲	2	9004436	Crankshaft, Metal [Ku]	1
▲	3	72998	Screw, Hex, Case, Brg, Main [Ku]	2
	4	9004350	Gasket, Bearing, Case [Ku]	1
	5	70923	Cover, Brg Case, Eng [Ku]	1
	6	70924	Seal, Oil, Rear [Ku]	1
	7	70925	Gasket, Case, Gear [Ku]	1
	8	384871	Bolt	8
	9	371017	Bolt	9
▽	10	9004437	Case, Main, Brg Assy	1
▲	11	70948	Bearing, Cshft, Std [Ku]	1
▲	12	72998	Screw, Hex, Case, Brg, Main [Ku]	2
	13	73479	Screw, Hex, Case, Brg, Main [Ku]	3
▽	14	9004438	Case, Main, Brg Assy	1
▲	15	70948	Bearing, Cshft, Std [Ku]	1
▲	16	72998	Screw, Hex, Case, Brg, Main [Ku]	2
▽	17	9004439	Case, Main, Brg Assy	1
▲	18	70948	Bearing, Cshft, Std [Ku]	1
▲	19	72998	Screw, Hex, Case, Brg, Main [Ku]	2

Fig. 7 – Head Cover Group



Ref.	Part No.	Description	Qty.	
▽	1	9004433	Cover, Cyl Head Assy [Ku]	1
▲	2	70929	Gasket, Cover, Head, Cyl [Ku]	1
▲	3	372912	Shield, Breather	1
▲	4	372928	Valve, Breather, Complt	1
▲	5	384874	Cover, Breather	1
▲	6	73482	Screw, Hex, W/ Washer [Ku]	4
▲	7	30125	Pipe, Water	1
	8	372913	Tube, Breather	1
	9	372901	Clamp, Hose	1
	10	372904	Clamp, Hose	1
	11	73483	Nut, Hex, Cap	4
	12	73484	Gasket, F/ Bolt [Ku]	4
	13	361374	Cap, Filler, Oil [Ku]	1
	14	70913	Seal, Org	1

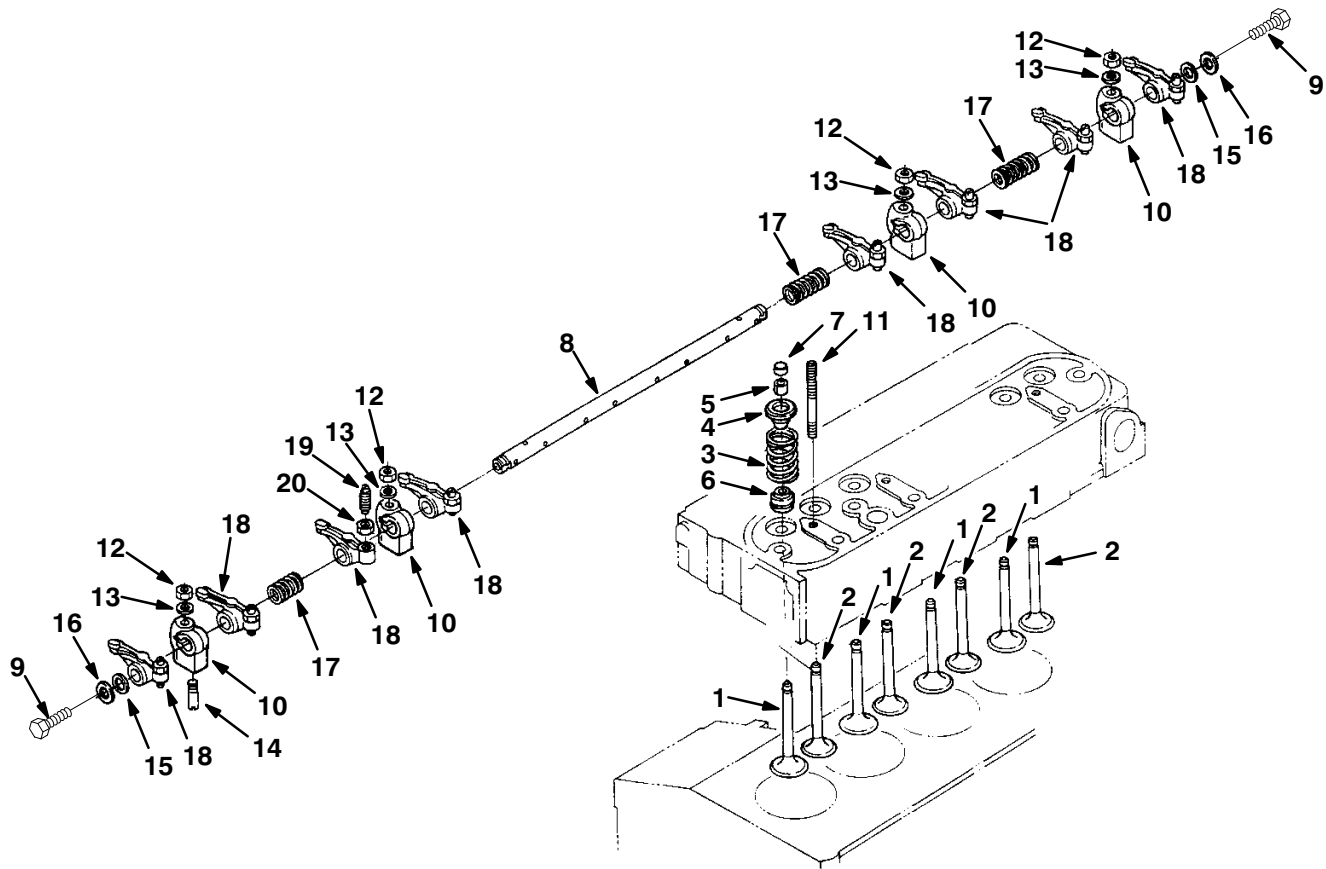
Fig. 8 - Manifold Group



	Ref.	Part No.	Description	Qty.
▽	1	372905	Manifold Assy, Inlet	1
▲	2	73481	Pipe, Breather [Ku]	1
▲	3	70934	Gasket, Manifold, Intake [Ku]	1
	4	9004406	Bolt [Ku]	2
	5	384872	Bolt	3
	6	73487	Manifold, Exhaust [Ku]	1
	7	70935	Gasket, Manifold, Exhaust	1
	8	73488	Stud [Ku]	8
	9	73489	Nut	8
	10	51332	Gasket [Ku]	1
	11	40409	Screw, Hex [Ku]	3

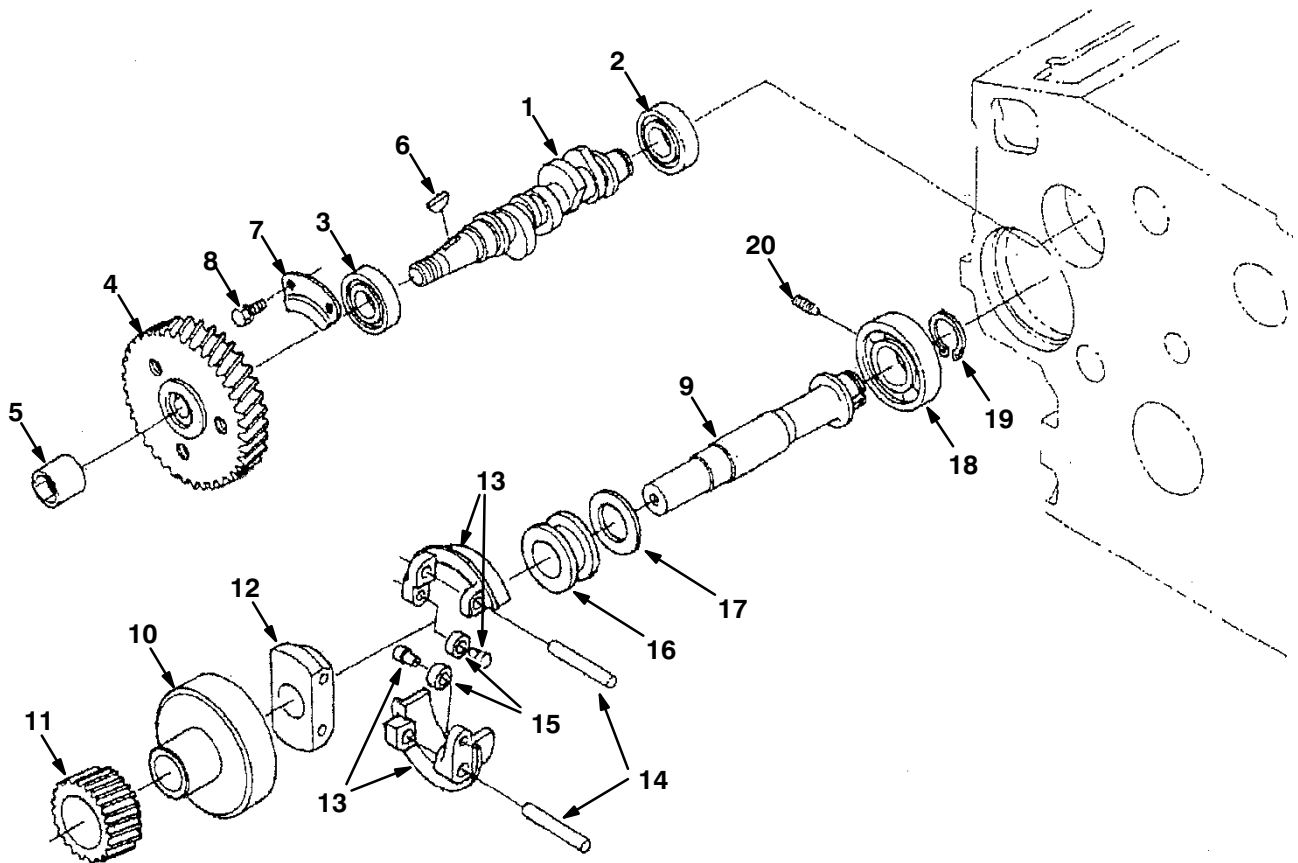
ENGINE BREAKDOWN

Fig. 9 – Valve, Rocker Arm Group



Ref.	Part No.	Description	Qty.	
1	70936	Valve, Intake [Ku]	4	
2	70937	Valve, Exhaust [Ku]	4	
3	73491	Spring, Valve [Ku]	8	
4	73492	Retainer, Spring, Valve [Ku]	8	
5	73493	Retainer, Spring [Ku]	8	
6	73494	Seal, Stem, Valve [Ku]	8	
7	361392	Cap, Valve [Ku]	8	
8	9004409	Shaft, Rocker, Arm [Ku]	1	
9	393598	Bolt	2	
10	73497	Bracket, Mtg, Rocker Arm [Ku]	4	
11	73498	Stud [Ku]	4	
12	73499	Nut, Hex [Ku]	4	
13	73500	Washer, Flat [Ku]	4	
14	9004410	Pin, Spring [Ku]	1	
15	73502	Washer, Shaft, Rocker [Ku]	2	
16	361589	Washer, Flat [Ku]	2	
17	73504	Spring, Cmpr, Rocker [Ku]	3	
▽	18	73506	Arm, Rocker [Ku]	8
▲	19	73507	Screw, Adj, Rocker Arm [Ku]	8
▲	20	73508	Nut, Hex [Ku]	8

Fig. 10 – Fuel Camshaft Group



Ref.	Part No.	Description	Qty.	
1	84636	Camshaft	1	
2	9004368	Bearing, Ball [Ku]	1	
3	9004369	Bearing, Ball [Ku]	1	
4	9004445	Gear, Injection, Pump [Ku]	1	
5	73593	Nut, Cap, Cam [Ku]	1	
6	73594	Key, Woodruff [Ku]	1	
7	73596	Stopper, Fuel [Ku]	1	
8	41973	Bolt, Hex [Ku]	2	
▽	73597	Shaft, Govnr	1	
▲	9	9004371	Shaft, Governor [Ku]	1
▲	10	73598	Holder, Gear [Ku]	1
▲	11	73599	Gear, Govnr [Ku]	1
▲	12	73600	Holder, Govnr [Ku]	1
▲	13	73601	Weight, Comp, Govnr [Ku]	2
▲	14	73602	Shaft, Govnr [Ku]	2
▲	15	9004372	Shaft, Governor, Weight [Ku]	2
▲	16	70977	Sleeve, Govnr [Ku]	1
▲	17	70978	Washer, Thrust [Ku]	1
18	9004373	Bearing, Ball [Ku]	1	
19	73603	Ring, Snap [Ku]	1	
20	73604	Screw, Set [Ku]	1	

Fig. 11 – Camshaft Group

	Ref.	Part No.	Description	Qty.
	1	9004358	Tappet [Ku]	8
	2	73509	Rod, Push, Valve [Ku]	8
▽	3	9004440	Crankshaft Assy	1
▲	4	39197	Screw, Set [Ku]	1
▲	5	73511	Gear, Camshaft [Ku]	1
▲	6	73512	Key [Ku]	1
▲	7	73513	Stopper, Cam [Ku]	1
▲	8	41973	Bolt, Hex [Ku]	2
▽	9	73514	Gear, Idler, Cam [Ku]	1
▲	10	73515	Bushing, Gear, Idler [Ku]	1
	11	73516	Collar, Gear [Ku]	1
	12	73517	Washer, Collar, Gear [Ku]	1
	13	73518	Ring, Snap [Ku]	1
	14	73519	Shaft, Idler, Gear [Ku]	1
	15	41973	Bolt, Hex [Ku]	3

Fig. 12 – Piston and Crankshaft Group

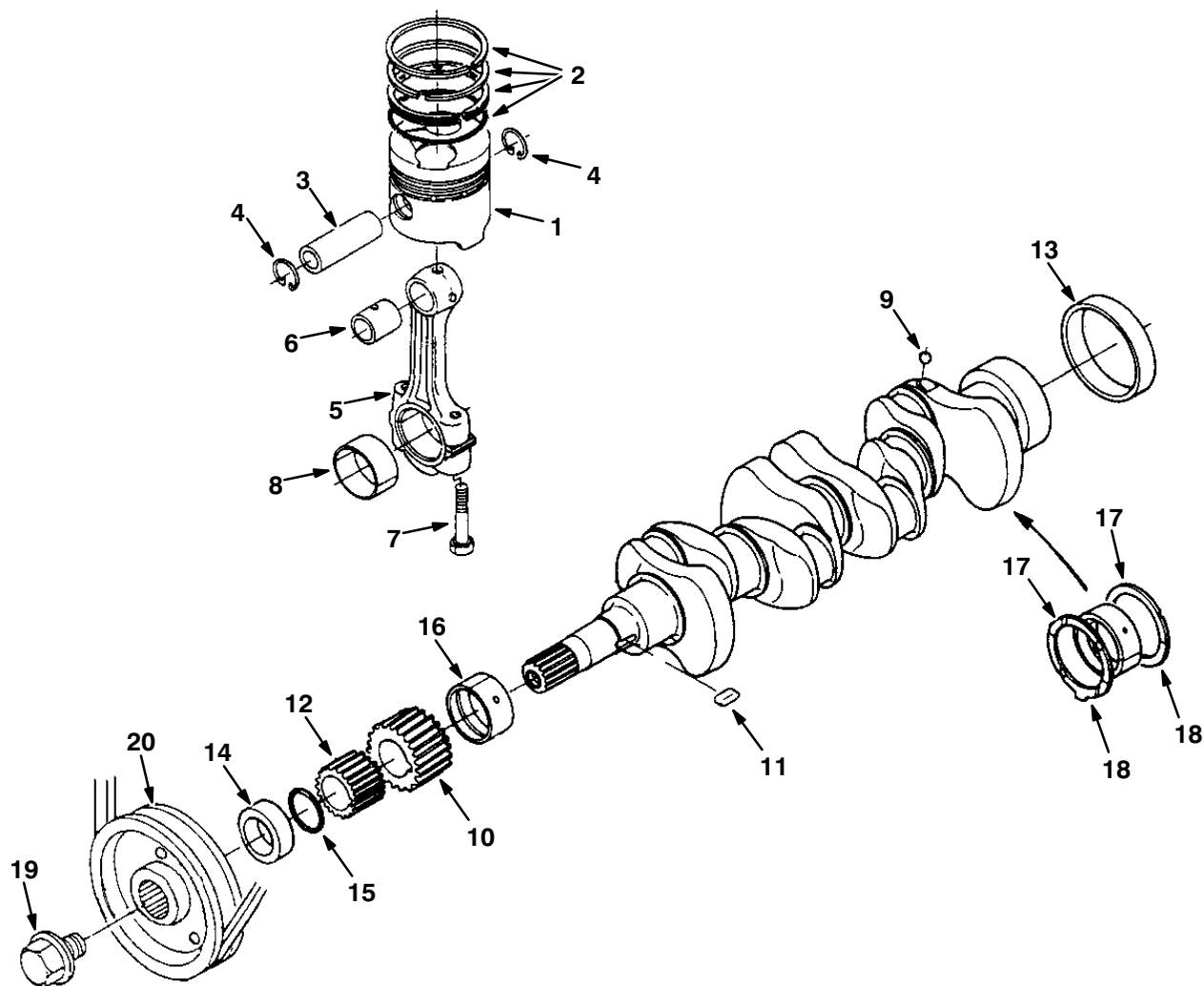
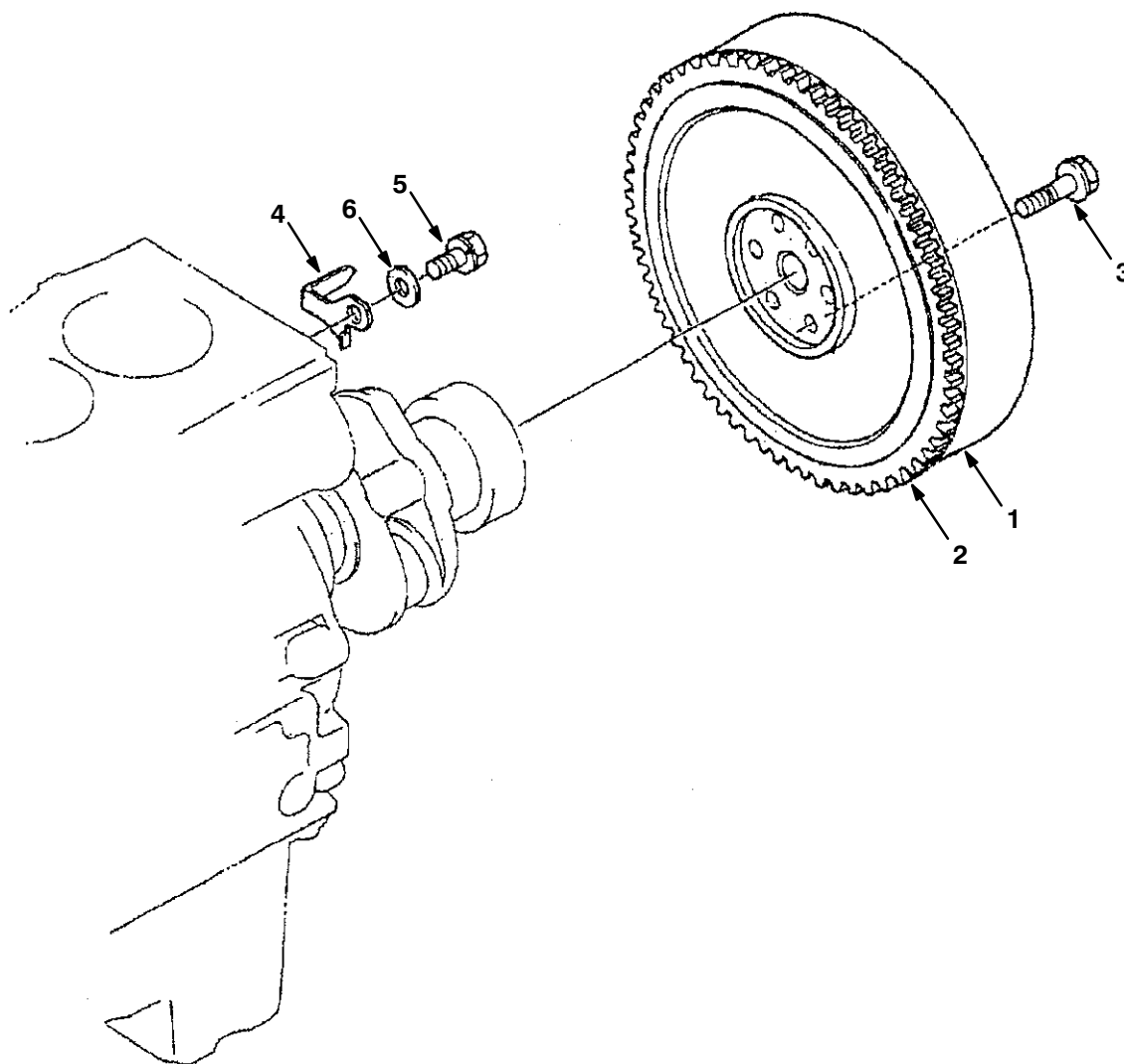


Fig. 12 – Piston and Crankshaft Group

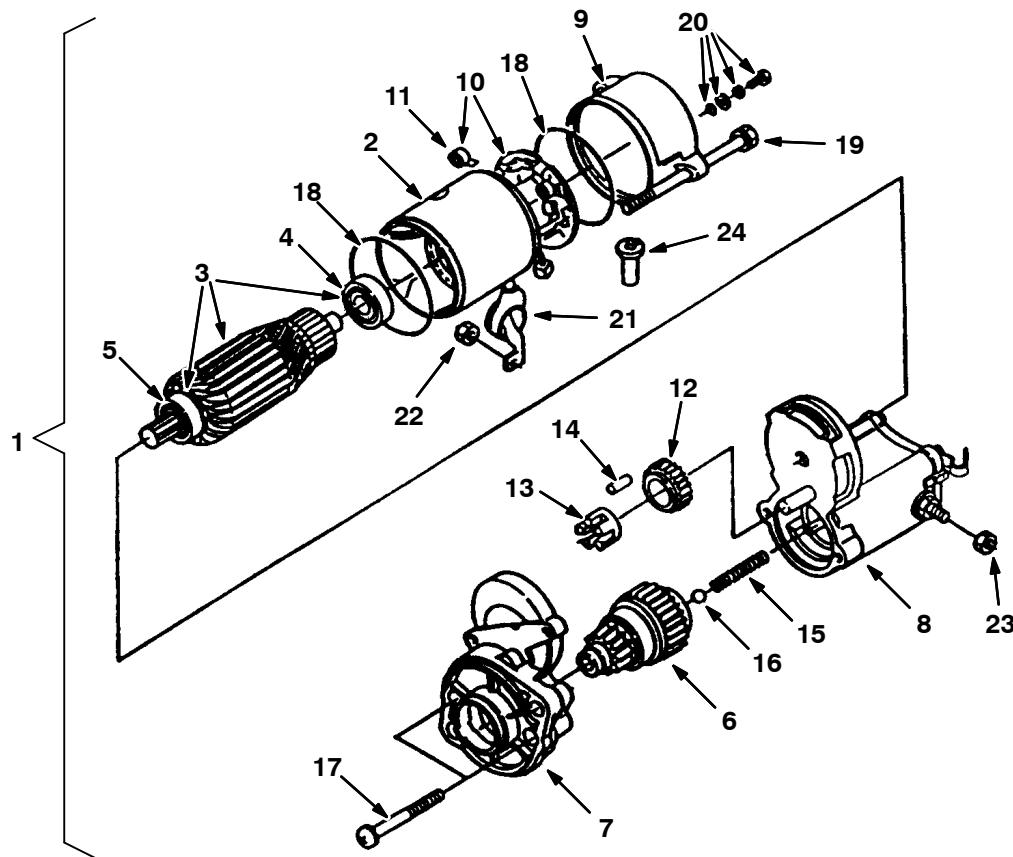
Ref.	Part No.	Description	Qty.
	1 73520	Piston, Eng [Ku]	4
	1 73521	Piston, Eng [Ku]	4
	2 9004361	Ring, Piston Assy [Ku]	4
	2 9004441	Piston, Ring Assy [Ku]	4
	3 73522	Pin, Piston [Ku]	4
	4 73523	Ring, Snap, Piston [Ku]	8
▽	5 73524	Rod Assy, Connecting [Ku]	4
▲	6 361395	Bushing, Pin, Piston [Ku]16241–21351	4
▲	7 73525	Screw, Rod, Connecting [Ku]	8
▲	8 70941	Bearing, Rod, Connecting, Std [Ku]	4
▲	8 66204	Bearing, Rod, Connecting [–.2mm, Ku]	4
▲	8 66207	Bearing, Rod, Connecting [–.4mm, Ku]	4
▽	73526	Crankshaft	1
▲	9 73527	Ball, Cshft [Ku]	4
▲	10 73528	Gear, Cshft [Ku]	1
▲	11 73529	Key [Ku]	1
▲	12 73530	Gear, Pump, Oil [Ku]	1
▲	13 70942	Bearing, Cshft [Ku]	1
	14 70943	Collar, Crank, Front [Ku]	1
	15 9004363	Ring [Ku]	1
	16 70945	Bearing, Cshft, Std [Ku]	1
	16 70946	Bearing, Cshft, –.2mm [Ku]	1
	16 70947	Bearing, Cshft [Ku]	1
	17 10844	Bearing, Thrust, Std [Ku]	2
	17 70954	Bearing, Thrust [Ku]	2
	17 70955	Bearing, Thrust [–.4mm, Ku]	2
	18 10845	Bearing, Thrust, Std [Ku]	2
	19 73532	Screw, Hex, Cshft [Ku]	2
	20 393400	Sheave, Cshft [Ku]	2

Fig. 13 – Flywheel Group



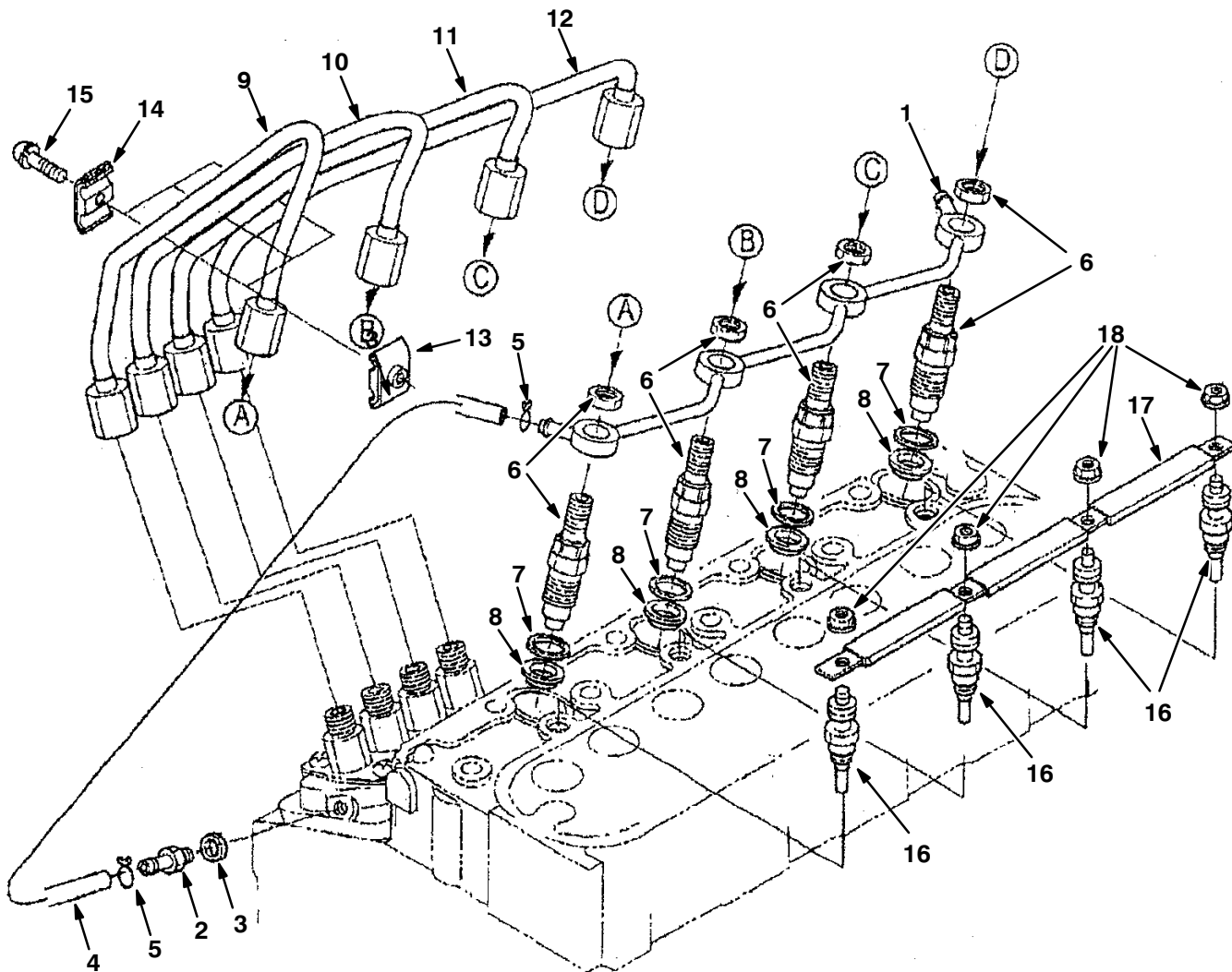
	Ref.	Part No.	Description	Qty.
▽	1	70956	Flywheel	1
▲	2	9004442	Gear, Ring [Ku]	1
	3	73533	Screw, Hex, Flywheel [Ku]	6
	4	9003891	Indicator, Timing [Ku]	1
	5	9004443	Bolt [Ku]	1
	6	9004444	Washer, Plain [Ku]	1

Fig. 14 – Starter Breakdown, 74405



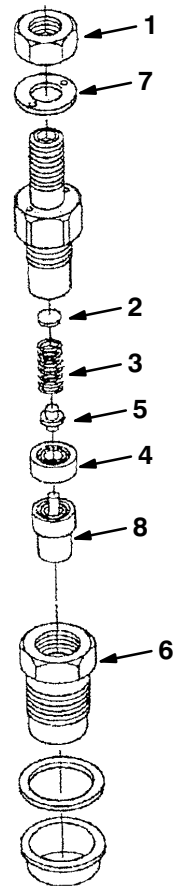
Ref.	Part No.	Description	Qty.	
▽	1	74405	Starter, 12vdc [Kubota]	1
▲	2	70196	Yoke	1
▲▽	3	70197	Armature, Motor [Ku]	1
▲▲	4	70198	Bearing	1
▲▲	5	70199	Bearing	1
▲	6	70200	Clutch	1
▲	7	70201	Frame, End, Drive	1
▲	8	70202	Switch, Magneto [Ku]	1
▲	9	70203	Frame, End	1
▲▽	10	70204	Brushholder	1
▲▲	11	70205	Spring, Brush	4
▲	12	70206	Gear	1
▲	13	70207	Retainer	1
▲	14	73545	Retainer, Gear, Starter [Ku]	5
▲	15	70208	Spring	1
▲	16	73547	Spring, Ext [Ku]	1
▲	17	70209	Bolt	2
▲	18	20433	Seal, Org	2
▲	19	70210	Bolt	2
▲	20	20432	Bolt	2
▲	21	70211	Cover	1
▲	22	73551	Nut, Hex [Ku]	1
▲	23	70212	Nut	1
▲	24	70213	Tube, Drain, Starter	1

Fig. 15 – Nozzle Holder and Glow Plug Group



Ref.	Part No.	Description	Qty.	
1	73554	Pipe, Overflow	1	
2	73555	Fitting, Fuel [Ku]	1	
3	40166	Gasket, F/ Bolt [Ku]	1	
▽	361373	Hose, Fuel [Ku]	1	
▲	4	9004389	Pipe, Fuel, Overflow [Ku]	2
▲	5	9004390	Pipe, Clip [Ku]	4
▽	6	372917	Housing Assy, Nozzle	1
▲	7	9004450	Gasket [Ku]	1
▲	8	9004451	Seal, Heat [Ku]	1
9	70965	Tube, Injector, Pipe #1 [Ku]	1	
10	70966	Tube, Injector, Pipe #2 [Ku]	1	
11	70967	Tube, Injector, Pipe #32 [Ku]	1	
12	70968	Pipe, Injector, # 4	3	
13	30131	Clamp, Tube, Inj, Pipe #1 [Ku]	3	
14	39507	Clamp, Pipe	4	
15	393566	Screw, W / Washer	1	
16	84638	Glowplug [Ku]	3	
17	73560	Cord, Ele, Glowplug	3	
18	9004393	Nut, Flange [Ku]	3	

Fig. 16 – Nozzle Holder Breakdown



	Ref.	Part No.	Description	Qty.
▽		372917	Housing Assy, Nozzle	4
▲	1	9004395	Nut [Ku]	1
▲	2	9004396	Washer, Adjusting [Ku]	1
▲	3	9004397	Nozzle, Spring [Ku]	1
▲	4	388500	Spacer [Ku]	1
▲	5	9004398	Rod, Push [Ku]	1
	6	9004399	Nut, Nozzle [Ku]	1
	7	9004400	Washer, Plain [Ku]	1
	8	9004401	Nozzle [Ku]	1

Fig. 17 - Injection Pump Group

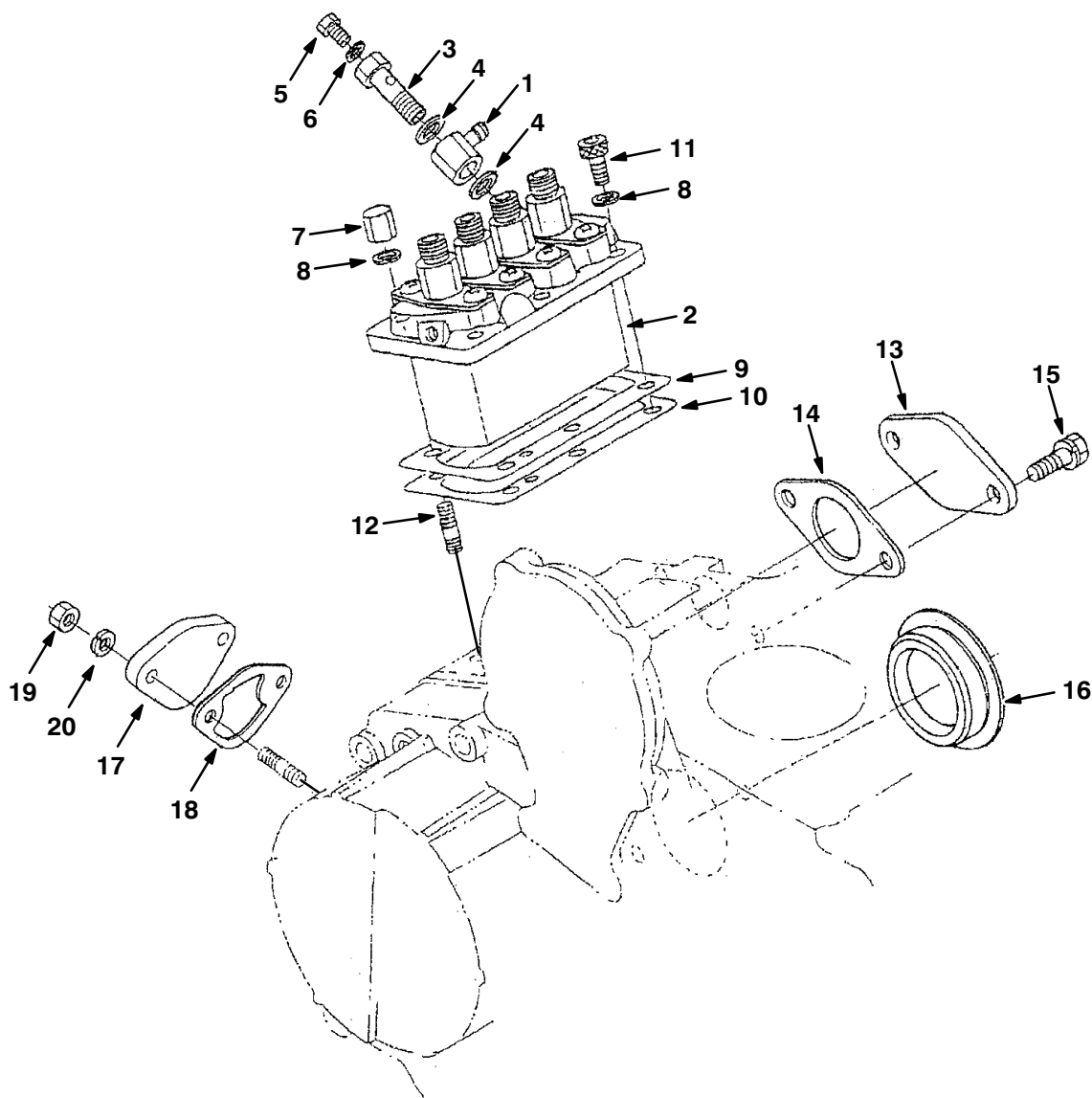


Fig. 17 – Injection Pump Group

Ref.	Part No.	Description	Qty.	
	1	9004376	Eye, Joint [Ku]	1
▽	2	84635	Pump, Injection [Kubo]	1
▲	3	84651	Follower, Screw, Pump, Injection[Ku]	1
▲	4	73588	Gasket, Ftg, Banjo [Ku]	2
▲	5	73589	Screw, Hex [Ku]	1
▲	6	73590	Gasket, F/ Screw [Ku]	1
	7	73563	Nut [Ku]	3
	8	39065	Washer, Lock, Split [Ku]	6
	9	70972	Shim	1
	9	70973	Shim	1
	10	84644	Shim, Pump, Injection	1
	11	73561	Bolt [Ku]	3
	12	73562	Stud [Ku]	3
	13	9004454	Cover, Solenoid [Ku]	1
	14	70165	Gasket, Solenoid, Throttle [Ku]	1
	15	39160	Bolt, Hex [Ku]	2
	16	70188	Cover, Hole, Pump [Ku]	1
	17	73565	Cover, Hole, Pump, Fuel [Ku]	1
	18	70974	Gasket, Pump, Fuel [Ku]	1
	19	39121	Nut, Hex [Ku]	2
	20	39065	Washer, Lock, Split [Ku]	2

Fig. 18 - Injection Pump Breakdown

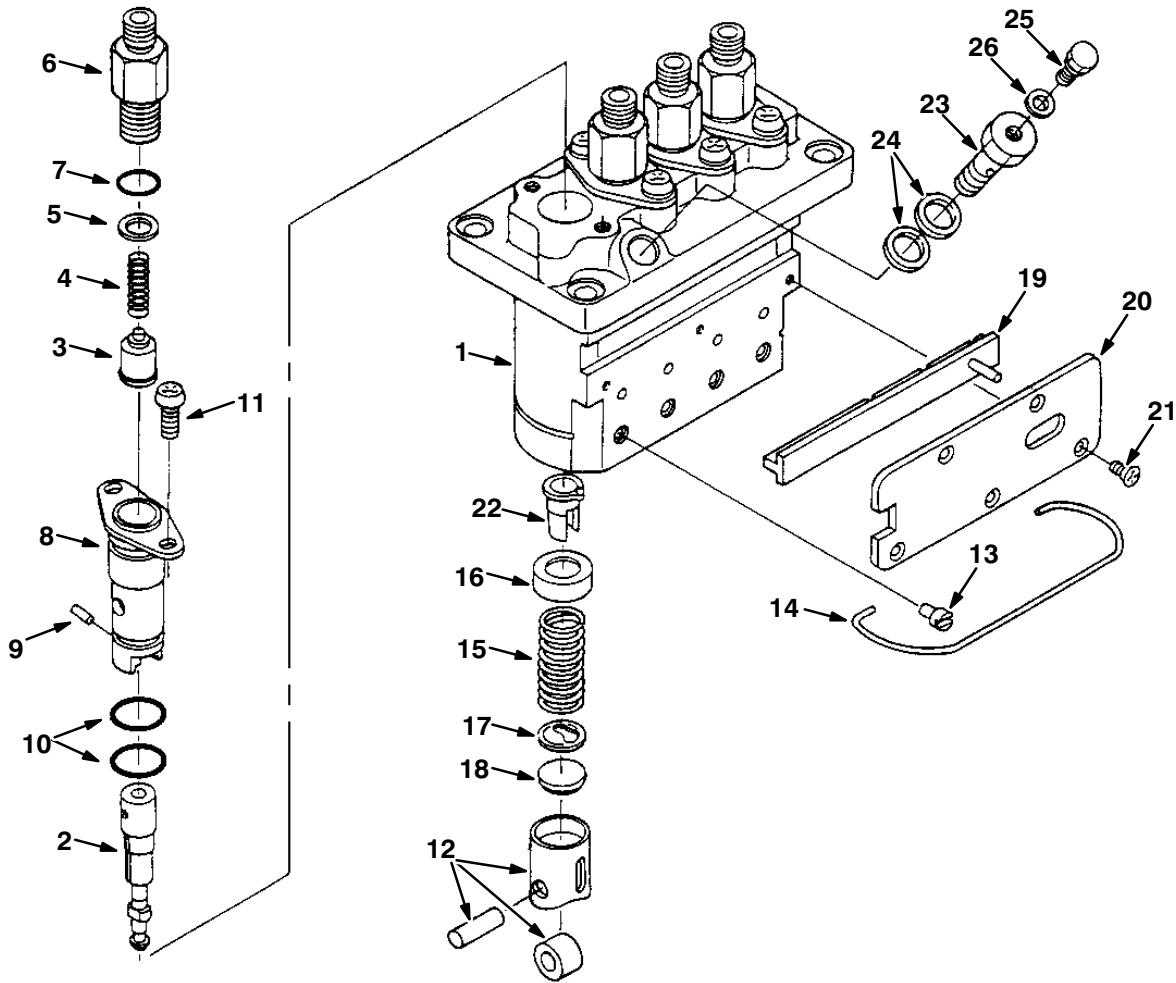
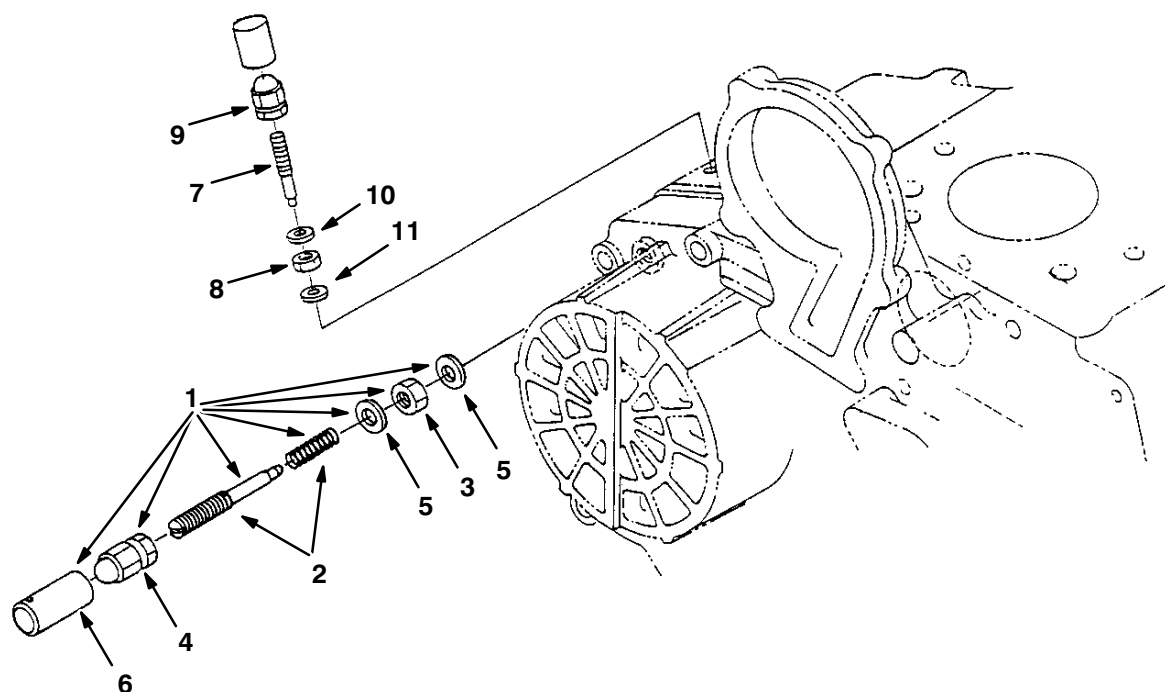


Fig. 18 – Injection Pump Breakdown

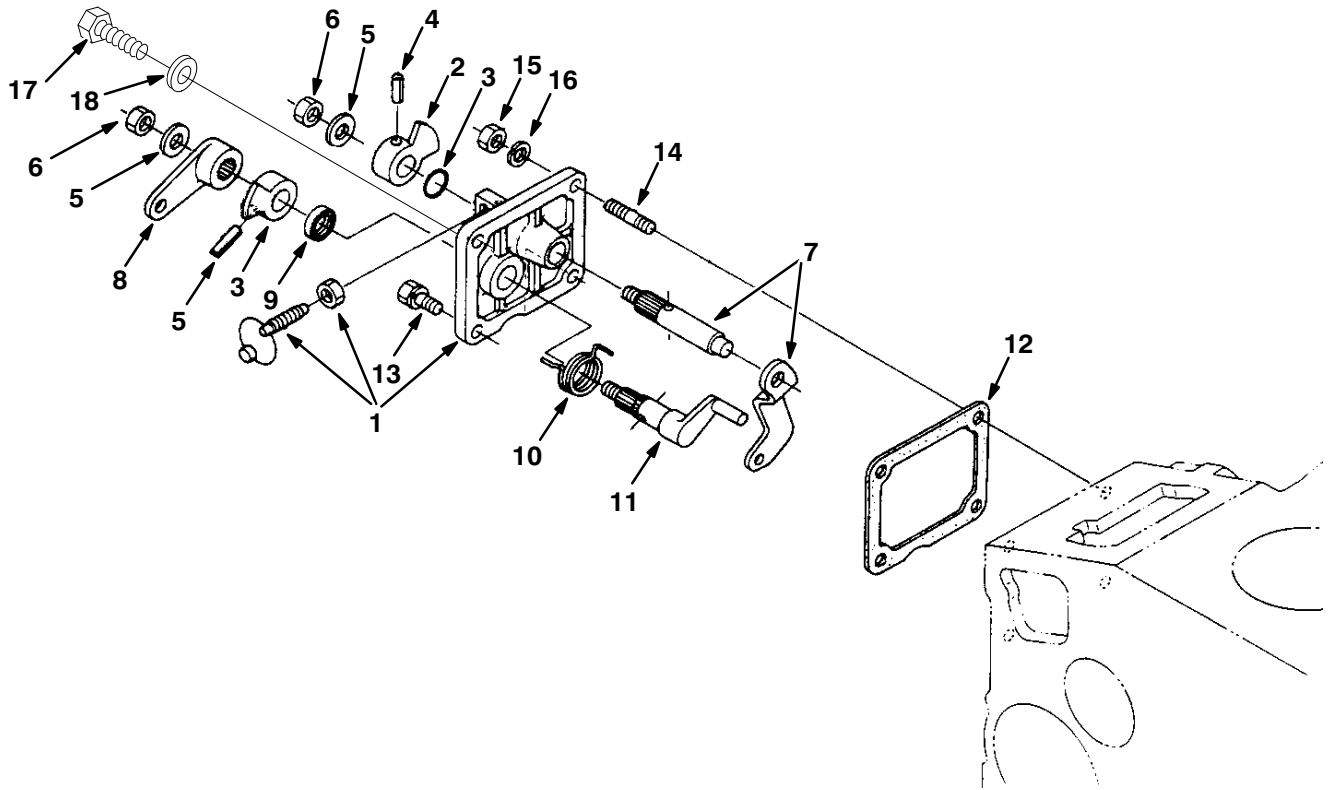
	Ref.	Part No.	Description	Qty.
▽	1	84635	Pump, Injection [Kubo]	1
▲	2	84648	Plunger, Pump, Inj [Ku]	4
▲	3	73567	Valve, Eng [Delivery, Ku]	4
▲	4	73568	Spring, Cmpr, Valve, Injector [Ku]	4
▲	5	73569	Gasket, Valve, Injector [Ku]	4
▲	6	73570	Holder, Valve, Inj [Ku]	4
▲	7	73571	Seal, Org [Ku]	4
▲	8	73572	Flange, Sleeve [Ku]	4
▲	9	73573	Pin, Joint, Inj [Ku]	4
▲	10	73574	Seal, Org [Ku]	8
▲	11	73575	Screw, Hex [Ku]	8
▲	12	73576	Tappet, Pump, Injection [Ku]	4
▲	13	73577	Pin, Tappet [Ku]	4
▲	14	73578	Pin, Clamp	1
▲	15	73579	Spring, Cmpr, Plunger [Ku]	4
▲	16	73580	Seat, Spring, Upper, Injector [Ku]	4
▲	17	73581	Seat, Spring, Lower, Injector [Ku]	4
▲	18	73582	Shim, Tappet, Injection [Ku]	1
▲	19	84649	Control, Fuel	1
▲	20	84650	Plate	1
▲	21	73585	Screw, Pump, Injection [Ku]	5
▲	22	73586	Sleeve, Cntrl, Pump, Injection [Ku]	4
▲	23	84651	Follower, Screw, Pump, Injection [Ku]	1
▲	24	73588	Gasket, Ftg, Banjo [Ku]	2
▲	25	73589	Screw, Hex [Ku]	1
▲	26	73590	Gasket, F/ Screw [Ku]	1

Fig. 19 – Idling Group



Ref.	Part No.	Description	Qty.	
▽	1	9004446	Idling, Apparatus [Ku]	1
▲	2	9004447	Bolt, Adjustment Assy [Ku]	1
▲	3	73606	Nut, Hex [Ku]	1
▲	4	361375	Nut, Cap [Ku]	1
▲	5	40166	Gasket, F/ Bolt [Ku]	2
▲	6	30136	Cap, Screw, Idler [Ku]	1
	7	73610	Screw, Adj, Stop [Ku]	1
	8	9004374	Nut, Lock [Ku]	1
	9	361375	Nut, Cap [Ku]	1
	10	40166	Gasket, F/ Bolt [Ku]	2
	11	9004375	Gasket [Ku]	1

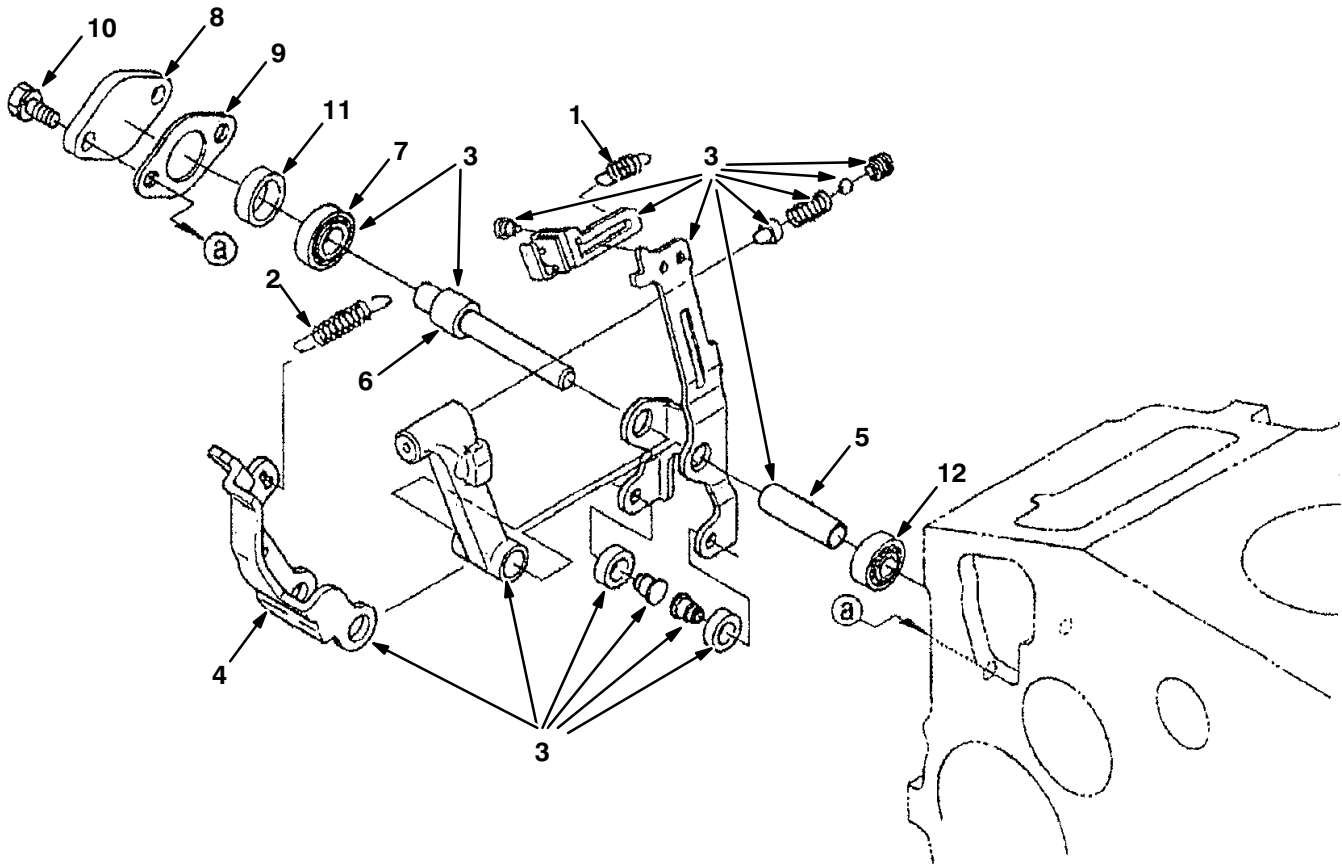
Fig. 20 – Speed Control Plate Group



07445 – M20, D

Ref.	Part No.	Description	Qty.
▽	1	70982 Plate, Cntrl, Spd [Ku]	1
▲	2	73619 Lever, Cntrl, Spd [Ku]	2
▲	3	9004385 O-Ring [Ku]	1
▲	4	40407 Pin, Spring [Ku]	2
▲	5	73621 Washer, Flat [Ku]	2
▲	6	73622 Nut, Hex [Ku]	2
▲	7	73623 Lever, Plate, Cntrl [Ku]	1
▲	8	73624 Lever, Stop [Ku]	1
▲	9	70983 Seal, Oil [Ku]	1
▲	10	73625 Spring, Tors [Ku]	1
▲	11	73626 Shaft, Lever, Spd [Ku]	1
	12	70984 Gasket, Cover, Spd [Ku]	1
	13	41973 Bolt, Hex [Ku]	2
	14	9004386 Stud [Ku]	2
	15	39121 Nut, Hex [Ku]	2
	16	39065 Washer, Lock, Split [Ku]	2
	17	9004449 Bolt [Ku]	1
	18	40166 Gasket, F/ Bolt [Ku]	1

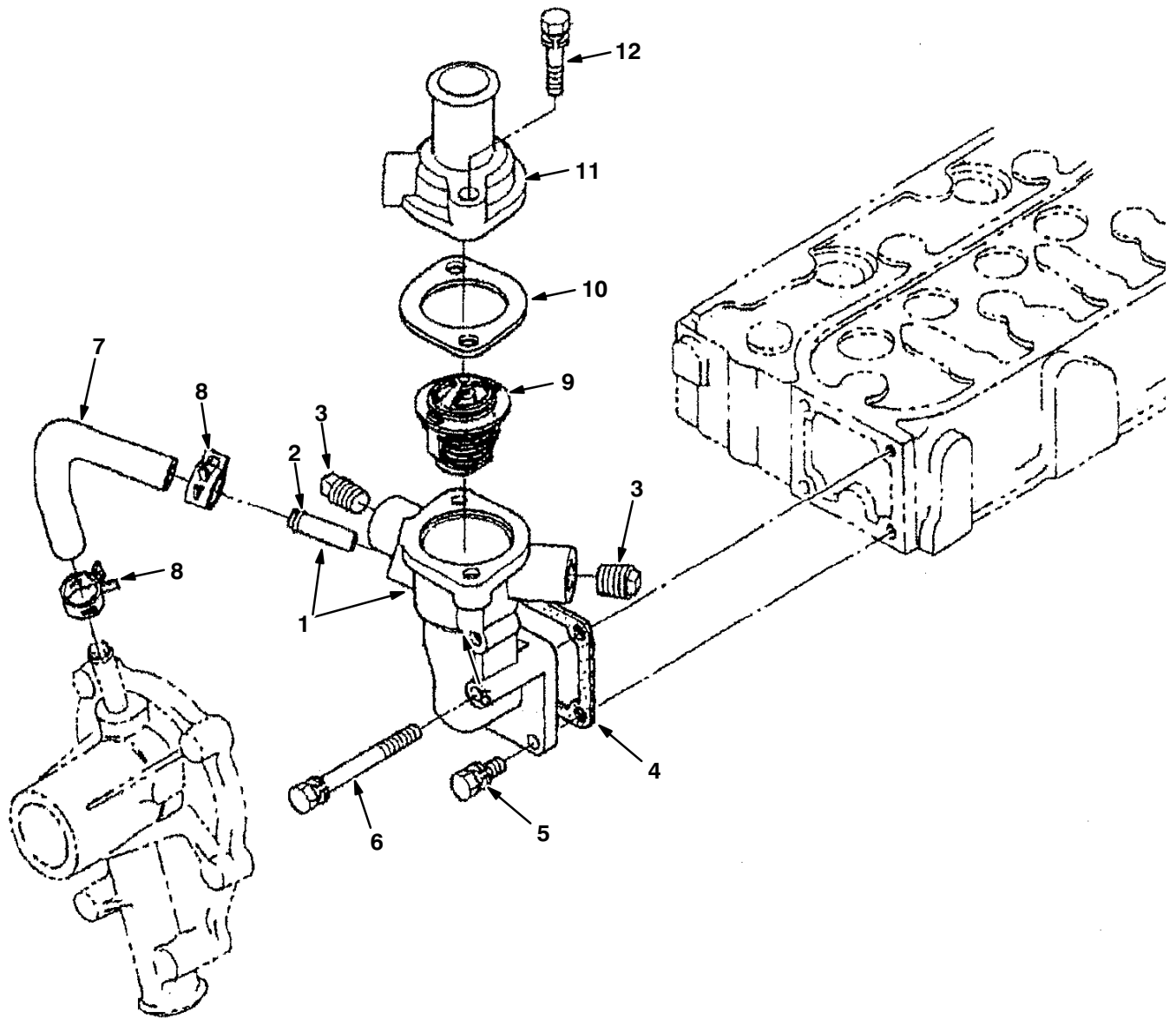
Fig. 21 – Governor Group



07447 – M20, D

Ref.	Part No.	Description	Qty.
1	9004379	Spring, Start [Ku]	1
2	9004448	Spring, Governor [Ku]	1
▽ 3	9004775	Lever Assy, Fork [KU]	1
▲ 4	9004381	Lever, Fork [Ku]	1
▲ 5	9004382	Lever, Fork, Shaft [Ku]	1
▲ 6	9004283	Belt Kit, W/ Installation Tool	1
▲ 7	70989	Bearing, Ball [Ku]	1
8	73631	Cover, Lever, Gov [Ku]	1
9	361430	Gasket, Cover, Gov [Ku]	1
10	71995	Screw, Hex [Ku]	2
11	70991	Collar, Govnr [Ku]	1
12	70992	Bearing, Ball [Ku]	1

Fig. 22 – Water Flange Group



Ref.	Part No.	Description	Qty.	
▽	1	368090	Flange, Water [Ku]	1
▲	2	384859	Pipe, Water, Return	1
	3	73632	Fitting, Pipe, Plug [Ku]	2
	4	70994	Gasket, Hsg, Thermostat [Ku]	1
	5	41973	Bolt, Hex [Ku]	3
	6	384872	Bolt	1
	7	73633	Hose, Water [Ku]	1
	8	73634	Clamp, Hose, Heater [Ku]	2
	9	10852	Thermostat, 180deg, 1.7d [Ku]	1
	10	10851	Gasket	1
	11	368091	Housing, Thermostat [Ku]	1
	12	40418	Bolt [Ku]	2

SECTION 6

CONTENTS

PAGE

PART NUMBER TO PAGE NUMBER CROSS REFERENCE LIST 6-2
PART DESCRIPTION TO PAGE NUMBER CROSS REFERENCE LIST 6-13

CROSS REFERENCE

PART NUMBER TO PAGE NUMBER CROSS REFERENCE LIST

Part Number	Page Number	Part Number	Page Number	Part Number	Page Number
00500-15	4-8, 4-9	06988	2-17	09739	2-43, 2-87, 3-11, 3-21, 3-31, 3-35, 3-36, 3-37, 3-38, 3-39, 3-49
00927	2-59, 2-61	07259	2-49, 2-57, 2-63, 2-71	09740	2-7, 2-13, 2-19, 2-27, 2-53, 2-59, 2-61, 2-63, 2-65, 2-75, 2-79, 2-81, 2-85, 2-89, 2-91, 2-93, 2-113, 3-3, 3-5, 3-17, 3-25, 3-35, 3-36, 3-37, 3-47
00960	2-29	07299	2-21, 2-33	09741	2-63, 2-67
00961	4-23	07449	2-71	09744	3-25, 3-49
01316	3-3, 3-47	07782	2-17	09832	2-33
01493	2-7	07786	2-47, 2-75, 2-79	1002898	3-17
01683	2-29, 2-43, 2-47, 3-3, 3-17, 3-21, 3-31, 3-43, 3-47, 3-51, 3-53, 3-63	07788	2-75, 2-79, 2-93	1002899	3-17
01684	2-53, 2-57, 2-65, 2-87, 2-89, 3-17, 3-25, 3-49, 3-59	07789	2-49	1005219	3-27
01685	2-27, 2-31, 2-53, 2-57, 2-65, 2-67, 2-69, 2-71, 2-75, 2-79, 2-85, 2-91, 2-93, 3-3, 3-9	07790	2-33, 3-43	1005302	3-17, 3-27
01686	2-5, 2-49, 2-67, 3-11	07791	2-33, 2-73, 2-77	1005435	3-17, 4-19
01714	2-43, 2-45	07797	2-113, 3-57	1005552	3-17, 3-27
01754	2-53	07805	2-65	1006400	3-17
01760	2-13	08085	2-13	1006415	3-27
01762	2-59, 2-61, 3-7	08170	2-43	1006416	2-25, 3-17
02430	4-16	08171	2-41	1006808	2-11
02431	2-33	08175	2-59, 2-61	1007482	2-35
02706	4-7	08179	2-43, 2-49, 2-57, 2-67, 3-9	1008240	2-11
02850	2-13, 2-19	08180	2-39	1008663	2-11
02938	2-55, 4-19	08182	2-45, 2-75, 2-79	1008916	2-17
02942	2-49	08236	2-63	1010614	3-31
03192	2-47, 3-41	08708	2-7, 2-13, 2-15, 2-17, 2-25, 2-27, 2-29, 2-33, 2-43, 2-47, 3-65	1010668	3-17, 3-21, 3-31
03495	2-69	08709	2-5, 2-19, 2-21, 2-23, 2-29, 2-35, 2-37, 2-43, 2-47, 2-75, 2-79, 3-13	1011403	3-17, 3-27
04414	2-7, 2-21, 2-67, 2-69, 3-65	08711	2-21, 2-41	1011412	3-19, 3-21, 3-31
04706	2-15	08712	2-57, 2-65, 2-67, 2-87, 2-89, 2-91, 3-57	1011837	3-27, 3-29
04733-12	2-63	08713	2-27, 2-31, 2-47, 2-51, 2-57, 2-63, 2-65, 2-67, 2-69, 2-71, 2-73, 2-77, 2-81, 2-85, 2-91, 2-93, 3-13	1011885	3-5
04846	2-15	08714	2-51, 2-57, 2-67, 2-71	1013031	2-31
06548	2-43	08716	2-15, 2-31, 2-57, 2-75, 2-79, 2-87, 2-89	10143	1-1, 2-37
06549	2-13, 2-25, 2-37, 3-25, 3-43, 3-47, 3-55	08875	2-81, 2-82	1014563	2-33, 2-53, 2-57, 2-71, 2-95, 3-41, 3-59
06922	2-53	09005	2-59, 2-61	1014705	2-63
06927	2-19	09007	2-75, 2-79, 2-89	1014929	3-17
06928	2-55	09010	2-47, 2-51, 2-57, 2-59, 2-61, 2-65, 2-67, 2-81, 2-93, 3-9, 3-13, 3-57	1014971	4-19
06929	2-13	09011	2-93	1014974	3-5, 3-31, 4-19
06939	3-47, 3-55	09023	2-67, 2-93	1014986	3-17
06942	2-7, 2-17, 2-25, 2-43, 3-65	09028	2-49, 2-63, 2-75, 2-79	1015026	3-21, 3-31
06943	2-11, 2-13, 2-17, 2-25, 2-27, 2-29, 2-33, 3-65	09081	2-73, 2-77	1015032	2-87, 3-11, 3-19, 3-29
06944	2-47, 2-55	09198	2-47	1015033	2-87, 3-5
06947	2-25	09200	2-13, 2-19, 2-53, 2-87, 3-17, 3-21, 3-49, 3-59	1015041	2-35
06949	3-57	09206	3-25	1015045	3-3, 3-47
06955	2-43, 2-85, 2-91	09244	2-25, 3-43	1015048	3-5
06957	2-67	09252	2-13, 2-47, 2-49, 3-25, 3-43	1015067	3-21
06962	3-51	09291	2-53, 2-57, 3-59	1015221	2-95
06963	2-53	09738	3-11, 3-51	1015239	3-59
06965	2-15, 3-51, 3-63			1015241	3-59
06966	2-21			1015486	3-19, 3-21, 3-29, 3-31, 3-47
06968	3-61			1016314	2-29
06969	2-41, 2-63			1016354	4-19
06972	2-21			1016827	2-25
				1016837	3-3

CROSS REFERENCE

Part Number	Page Number	Part Number	Page Number	Part Number	Page Number
1017022	3-17	1020209	2-81	1022978	2-79
1017101	2-82	1020331	2-89	1023074	2-21
1017126	1-1, 2-25	1020335	2-89	1023144	5-4
1017141	2-134	1020487	2-13	1023180	2-35
1017218	2-7, 2-13, 2-17, 2-19, 2-51, 2-57, 2-81, 2-85, 2-89, 2-91, 2-93, 2-113, 3-5, 3-17, 3-25, 3-35, 3-36, 3-37, 3-47, 3-55	1020526	3-49	1023239	2-69
1017386	3-27	1020548	2-75	1023306	2-75
1017413	3-27	1020828	2-65	1023307	2-79
1017415	3-27	1020949	2-27	1023314	2-79
1017791	2-5	1021019	2-59, 2-61	1023464	2-9
1017868	1-1, 2-69	1021090	2-89	1023476	2-71
1017969	2-31	1021210	3-5, 4-3	1023482	2-23
1018098	3-17	1021290	2-37	1023485	3-15
1018155	4-19	1021325	3-3	1023488	2-99
1018207	2-53, 3-59	1021327	2-5	1023499	2-13
1018208	2-55	1021404	2-71	1023502	2-85, 2-91
1018209	2-95	1021419	2-89	1023545	2-111
1018216	2-95	1021439	3-9	1023569	2-9
1018226	2-49	1021473	3-9	1023606	2-101
1018227	2-49	1021497	2-71	1023607	2-101
1018236	2-57	1021511	2-69	1023617	2-59
1018237	2-57	1021564	3-9	1023754	2-93
1018239	2-51	1021579	1-1, 2-111	1023769	2-103
1018240	2-55	1021609	2-67	1023779	2-67
1018245	2-57	1021617	3-9	1023879	3-41
1018252	2-95	1021789	2-31	1023892	2-27
1018253	2-57	1021834	2-7	1024141	2-130
1018260	2-49	1021879	2-89	1024237	3-17
1018262	2-49	1021881	3-47	1024249	2-39
1018266	2-49	1021920	2-89	1024251	2-107, 4-7
1018272	2-51	1022003	2-65	1024260	2-15, 4-15
1018274	2-55	1022004	2-19	1024274	2-37
1018275	2-49	1022005	2-13, 2-19	1024357	2-31
1018276	2-49	1022007	1-1, 2-65	1024380	2-25
1018280	2-55	1022009	1-1, 2-65	1024389	2-81
1018289	2-111	1022031	2-43	1024403	2-89
1018293	2-55	1022069	2-17	1024425	2-13
1018300	2-51	1022137	2-85, 2-91	1024464	2-13
1018495	3-47	1022165	2-65	1024500	2-19
1018499	3-47	1022167	2-89	1024535	2-85, 2-91
1018776	2-13	1022176	2-81	1024558	2-85, 2-91
1019031	2-75	1022179	2-65	1024576	2-75, 2-79
1019146	2-63	1022182	2-82	1024584	2-73, 2-77
1019228	2-13	1022229	3-5	1024586	1-1, 2-73, 2-77
1019250	3-47	1022243	2-43	1024591	2-81
1019251	2-5	1022276	3-41	1024599	2-85, 2-91
1019295	1-1, 2-73, 2-77	1022318	3-11	1024641	2-67
1019424	2-85, 2-91	1022345	2-45	1024648	2-67
1019445	3-35, 3-36, 3-37	1022363	2-65	1024651	2-73, 2-77
1019636	3-5	1022370	2-91	1024688	2-105
1019647	3-38, 3-39	1022372	2-67	1024703	2-67
1019968	2-33	1022442	2-67	1024764	2-103
1019971	3-35, 3-36, 3-37	1022472	2-11	1024772	2-27
1020003	2-63	1022699	2-7	1024977	3-51, 3-63
1020166	1-1, 2-65	1022736	2-43	1025100	2-63
1020168	2-7, 3-25	1022779	2-47	1025132	2-111
1020186	2-19	1022787	2-47	1025140	2-45
		1022825	2-75, 2-79	1025151	2-73, 2-77
		1022831	2-69	1025159	3-5
		1022846	2-73, 2-77	1025196	2-19
		1022905	2-11	1025229	2-23

CROSS REFERENCE

Part Number	Page Number	Part Number	Page Number	Part Number	Page Number
1025435	2-7	1028374	2-69	1031796	4-17
1025460	2-71	1028412	2-19	1031797	4-17
1025480	2-85, 2-91	1028522	2-91	1031798	4-17
1025487	2-43	1028635	2-75, 2-79	1031799	4-17
1025495	2-43	1028690	2-85, 2-91	1031800	4-17
1025544	2-103	1028691	2-85, 2-91	1031801	4-17
1025551	2-105	1028697	3-5	1031802	4-17
1025601	2-71	1028701	2-85, 2-91	1031803	4-17
1025619	2-89	1028769	2-11	1031823	1-1, 2-73, 2-77
1025620	2-89	1028772	2-11	1031945	1-1, 2-69
1025680	2-67	1028821	2-109	1032010	2-31
1025736	2-13	1028822	2-109	1032399	2-47
1025756	2-95	1028823	2-109	1032424	2-25
1025806	2-19	1028852	2-65	1032450	2-134
1025841	2-95	1028972	2-77	1032512	2-25
1025904	2-49	1028979	2-77	1032578	3-66
1025916	2-13	1028994	2-31	1032812	2-23
1025990	3-15	1029055	3-47	1033156	2-19
1025991	3-15	1029057	3-25, 3-47	1033897	2-23
1025992	3-15	1029082	2-25	1033901	2-23
1026007	2-67	1029128	2-73	1033975	2-7
1026051	2-85, 2-91	1029132	2-73	1034149	2-71
1026080	2-59, 2-61	1029153	3-47	1034270	2-39
1026108	2-65	1029155	3-47	1034764	2-9
1026119	3-13	1029156	3-47	1034765	2-9
1026223	2-2	1029362	2-11	1034766	2-9
1026352	2-59, 2-61	1029379	4-9	1034767	2-13
1026550	2-23	1029396	3-45	1034768	2-9
1026576	2-37	1029399	3-47	1034769	2-9
1026628	2-19	1029646	2-49	1034770	2-9
1026645	2-101	1029689	2-29	1034878	2-111
1026726	2-19	1029790	3-47	1035044	2-91
1026727	2-85	1029951	2-11	1035068	2-17
1026743	3-47, 3-55, 4-17	1029964	2-59, 2-61	1035341	2-29
1026759	2-23	1030017	2-7	1035727	2-71
1026825	2-13	1030404	2-99	1035794	3-17
1027007	3-47, 3-55	1030441	4-24	1035997	2-7
1027039	2-91	1030444	4-24	1036240	2-55
1027218	2-7	1030511	3-21, 3-31	1036801	3-17
1027233	2-47	1030588	2-13, 2-19	1036844	2-29
1027237	3-47	1030593	2-7	1036847	2-29
1027267	2-7	1030709	2-105	1036859	2-29
1027273	2-21	1030910	2-63	1036892	2-15, 2-25, 2-33
1027290	1-1, 2-82, 3-55	1030911	2-63	1036902	3-57
1027313	2-47	1030969	2-2	1036939	2-103
1027381	2-81	1031011	1-1, 2-73, 2-77	1036945	2-101
1027560	3-51, 3-63	1031017	2-134	1036946	3-15
1027692	2-47	1031206	2-13	1036965	3-15, 3-57
1027697	2-2	1031233	2-81	1036997	2-87
1027719	1-1, 2-69	1031235	2-82	1037011	3-13
1027742	2-47	1031309	2-91	1037032	4-19
1027810	2-63	1031331	1-1, 2-69	1037053	2-105
1027916	2-5	1031566	2-29	1037072	3-57
1027922	2-25	1031572	3-5	1037235	2-53
1027926	3-9	1031575	2-55	1037346	2-5, 2-17, 2-33, 2-37, 2-55, 2-89, 2-95
1027976	3-47	1031610	2-89	1037354	2-111
1027978	3-47	1031617	2-93	1037355	2-33
1028173	2-91	1031665	2-7, 2-11, 2-13, 2-15, 2-19	1037671	2-53
1028211	2-91	1031699	2-89, 4-3	1037816	2-89

CROSS REFERENCE

Part Number	Page Number	Part Number	Page Number	Part Number	Page Number
1037825	3-21, 3-31	1042010	2-91	1054382	2-35
1037947	2-53	1042051	3-53	1054428	2-33
1037970	2-17	1042191	3-53, 3-55	1054575	2-59, 2-61
1037971	2-17	1042579	3-55	1054610	2-61
1038115	2-57, 3-9	1042686	2-63	1054682	2-59
1038123	2-57	1042710	4-24	1054776	4-19
1038134	2-57	1042772	3-53	1054857	2-59, 2-61
1038137	2-63, 2-67, 2-75, 2-79, 3-9	1042775	2-103	1055139	2-61
1038159	4-19	1042776	2-103	1055605	2-5
1038569	2-99	1042859	3-55	1056298	2-53
1038571	3-57	1042968	3-7	1056412	2-15
1038805	2-81, 2-82	1044323	2-51	1057637	4-19
1038927	2-89	1044342	3-17	1057643	2-59, 2-61
1038941	2-89	1044343	3-17	1057707	1-1
1039019	3-5	1044367	2-113	1057708	1-1
1039037	3-55	1044393	3-25	1057710	1-1
1039042	3-53	1044428	3-53, 3-55	1057711	1-1
1039044	3-53	1044993	2-57	1057785	4-23
1039046	3-55	1045034	3-55	1058699	2-33
1039049	2-89	1045272	3-13	1058730	2-33
1039056	3-53	1045433	2-33	1058732	2-33
1039064	2-87	1045444	3-51	1058935	3-27
1039072	2-89	1045759	2-105	1059073	2-15
1039124	2-57	1045764	2-33	1059091	1-1, 3-7
1039149	2-57	1046798	2-89	1059092	1-1, 3-7
1039155	2-57	1046810	2-21	1059100	2-93
1039157	2-57	1046962	2-33	1059234	4-24
1039163	2-51	1046976	3-7	1059343	2-39
1039208	2-29	1046980	1-1, 3-7	1059372	3-27
1039212	2-29	1046995	3-7	1059391	3-27
1039215	2-51	1047002	3-7	1059488	2-25
1039348	2-75, 2-79	1047060	3-7	1059542	2-53
1039357	3-17	1047098	2-81, 2-82	1059640	2-2
1039396	2-65	1047169	2-7	1059677	3-25
1039652	2-91	1047238	1-1, 3-7	1059878	4-24
1039757	2-81, 2-82	1047295	2-7	1060130	2-5, 2-55, 3-11
1039789	2-113	1048295AM	1-1, 2-53	1060185	3-25
1040018	2-65	1048474	2-81, 2-82	1060273	3-25
1040117	2-113	1048512	2-81, 2-82	1060291	3-25
1040306	2-81	1049254	3-17, 3-27	1060292	3-25
1040318	2-111	1049259	3-17	1060517	4-19
1040467	2-25, 2-33, 2-49, 3-25, 3-43	1049919	2-17	1060521	2-39
1040524	2-2	1050003	2-134	1060596	3-27
1040628	2-103	1050295	3-41	1060624	3-25
1040634	3-49	1050436	2-101	1060693	3-27
1040655	2-101	1050757	2-21	1060695	4-19
1040800	3-49	1052017	3-27	1060716	2-93
1040835	2-25	1052124	2-63	1060719	3-25
1040841	2-9	1052164	2-33	1060871	3-34
1040876	2-113	1052175	2-33	1060880	3-34
1040899	3-53	1052336	3-27, 4-19	1060881	3-34
1041006	2-53, 3-59	1052342	2-63	1061045	3-31
1041351	3-55	1052521	2-39	1061973	2-39
1041389	3-15	1052726	3-25	1062033	2-93
1041935	3-53	1052834	2-101	1062103	2-35
1041953	2-85, 2-91	1052885	2-55	1062116	3-11
1041984	2-53, 3-59	1053320	2-53	1062403	3-27
1042003	2-85	1053464	4-19	1062566	2-5, 2-55
		1053838	2-5, 2-55, 3-11	1062804	3-25
		1054338	3-51, 3-63	1062813	2-134

CROSS REFERENCE

Part Number	Page Number	Part Number	Page Number	Part Number	Page Number
10632-12	3-43	1076680	2-41	1226700	2-69
10632-13	2-15, 2-55	1076692	2-87	1227137	3-55, 4-25
10632-14	3-57	1076696	3-61	1228195	2-43
10632-17	3-38, 3-39	1076698	3-61	12295	2-59, 2-61
10632-19	3-17, 3-27, 3-55	1076699	3-61	1229745	2-99
10632-2	3-5	1076703	3-65	1230341	2-15
10632-4	3-25	1076704	3-65	12309	2-55
1064183	3-25	1076740	3-61	1231375	3-55
1064191	3-25	1076741	3-61	12317	2-5, 2-57, 2-67, 3-11
1064370	2-132	10844	5-17	1232054	2-15
1064434	2-33	10845	5-17	12323	2-55, 3-25
1064440	2-134	10851	5-29	1234534	2-69
1064662	2-134	10852	5-29	1235405	2-103, 2-105
1065134	2-59, 2-61	10917	4-17	1239555	2-11
1065342	2-134	11399	2-35	1247720	3-25
1065343	2-134	11842	2-47	1248350	3-43
1068277	2-81, 2-82	1208906	2-69	1249770	2-33
1068611	2-93	1210624	4-23	1252156	2-2
1068644	2-93	1210807	2-5	12916	5-7
1068811	2-59, 2-61	1214251	2-17	13248	2-15
1068812	3-7	1218322	2-69	13534	2-59, 2-61
1069019	1-1	1218851	2-89	13840	3-45
1069020	1-1	1220185	2-3	13904	4-11, 4-13
1069241	3-41	1220235	2-3	13907	4-7
1069253	3-41	1220236	2-3	140916	3-43
1069562	2-63	1221543	2-3	14432	2-27
1069580	3-43	1222018	2-19, 2-73, 2-77	14595-1	2-43
1069933	2-49	1222019	2-53, 3-49, 3-59	14605	2-43
1070402	3-43	1222020	2-69, 3-7	14877	3-3, 3-5
1070659	3-43	1222035	2-89	150006	2-35
1071061	2-39	1222036	2-75	150538	3-17
1071062	3-43	1222038	2-79	150540	3-17, 4-19
1071085	2-89	1222043	2-71	150709	3-17
1071173	2-109	1222953	4-23	150713	3-17
1071195	2-35	1223504	2-15	15331	2-17
1071240	2-95	1223511	2-15	15648	2-85, 2-91
1071280	3-27	1223514	2-15	15675	2-59, 2-61, 2-85, 2-91, 3-55
1072224	2-21	1223896	2-11	15678	2-53, 3-17, 3-59
1072877	3-5	1223897	2-11	15687	2-21
1072885	2-91	1223906	2-11	16213	2-47
1072995	2-113, 4-13	1224091	4-23	16376	2-21
1072997	3-13, 4-11	1224092	4-23	16391	3-55
1073487	2-39	1224093	4-23	16411	1-1
1074010	2-95	1224094	4-23	16412	1-1
1074807	2-59, 2-61	1224326	3-57	16431	2-101
1074983	3-53	1224327	3-57	16695	4-8, 4-9
1075003	2-11	1224328	3-55	16735	2-17, 2-89, 3-9
1075079	2-127	1224329	3-55	16931	2-7, 2-13, 2-15, 2-17, 2-19, 2-25, 2-31, 2-35, 2-39, 2-43, 3-55
1075080	2-131	1224331	3-55	16944	2-49
1075129	2-129	1224603	2-11	16968	2-11
1075138	3-23	1224979	2-89	17414	2-23, 2-25
1075140	3-34	1225091	2-11	17461	2-57, 2-63, 2-75, 2-79, 3-9
1075143	3-43	1225144	3-57	17980	2-109
1075241	3-11	1225146	3-55	19064	2-53, 3-45
1075283	3-36, 3-37, 3-38, 3-39	1225174	3-55	19065	2-11, 2-13, 2-47, 3-25
1075367	2-5	1225829	3-55, 4-25		
1075394	2-87	1225989	2-89		
1076027	2-93	1226044	3-57		
1076240	2-41	1226062	2-99		
1076414	3-59	1226063	2-99		

CROSS REFERENCE

Part Number	Page Number	Part Number	Page Number	Part Number	Page Number
19066	2-13, 2-19, 2-25, 2-29, 2-37, 2-49, 3-25, 3-35, 3-36, 3-37, 3-38, 3-39, 3-43, 3-47, 3-55	24196	3-31, 3-35, 3-36, 3-37, 3-38, 3-39	32982	3-25
190722	3-45	24199	2-43	32983	2-13
19191	3-7	24265	2-19, 3-3	32988	2-29
19252	2-21	24339	2-39	33295	3-3
19313	3-41	24358	2-89, 4-3	33333	2-31
19583	2-39	24543	3-5	33373	2-71
20021	2-55	24544	3-3, 3-17, 3-27	33401	2-65
20170	2-43	24555	2-69, 2-71, 3-7	33580	4-5
20171	2-21	24584	3-55	33595	2-21
20394	3-47, 3-53	24698	3-27	33612	2-29
20432	5-19	24976	2-21	33671	2-37
20433	5-19	25046	3-7, 3-65	33812	2-113
20634	2-53	25312	3-60	33932	2-19, 2-47, 2-73, 2-77, 3-3, 3-25
20778	2-37	25686	2-59, 2-61	34178	4-5
20833	1-1	25735	2-71, 2-73, 2-77	34323	2-95
20944	3-5	28854	4-9	34351	2-101
20951	3-5, 4-19	29557	3-9	34359	3-13
20952	3-5	29558	3-9	34379	3-57
21196	3-51, 3-63	29584	2-67	34411	2-5, 2-55, 3-11
21198	2-47	30125	5-10	35707	2-29
21603	2-69, 3-7	30131	5-20	35904	2-109
21606	2-69	30136	5-26	360023	2-41
21623	2-55	30407	2-33	360074	2-41
21657	4-16	31241	2-95	360270	2-41
21659	4-16	31354	4-8, 4-9	360271	2-41
21851	2-13	31375	4-8	360272	2-41
21933	4-15	31379	4-8	360273	2-41
21934	4-15	31383	4-8	360274	2-41
21935	4-15	31525	2-29	360275	2-41
21955	4-9	31543	3-21, 3-31	360276	2-41
21956	4-9	31613	1-1, 2-111	360801	2-75, 2-79, 2-91
21958	4-9	32126	2-39	360802	2-41
222190	3-65	32183	2-23, 2-55, 3-5	360973	2-82
222267	2-19, 2-81, 2-82	32483	2-13, 2-15, 2-23, 2-27, 2-29, 2-31, 2-33, 2-47, 2-55, 2-95, 3-25	361047	3-15
222268	2-51, 2-57	32485	2-21, 2-27, 2-33, 2-47, 2-63, 2-71, 2-95, 2-107	361339	2-45, 2-55, 2-65, 3-3
222290	2-37	32486	2-15, 2-41, 2-55, 3-9, 3-61	361366	5-4
222375	3-31	32490	2-7, 2-11, 2-15, 2-17, 2-25, 2-33, 2-43, 2-45, 2-47, 3-57, 3-65	361373	5-20
222463	2-73, 2-77	32491	2-5, 2-7, 2-13, 2-15, 2-21, 2-23, 2-25, 2-29, 2-31, 2-35, 2-39, 2-43, 2-47, 2-59, 2-61, 2-63, 2-65, 2-85, 2-89, 2-91, 2-109, 3-9, 3-13, 3-41, 3-49, 3-55, 3-57	361374	5-7, 5-10
222496	2-31	32492	2-5, 2-13, 2-29, 2-33, 2-47, 3-7, 3-41, 3-51, 3-61, 3-63	361375	5-26
222505	2-31, 2-71	32493	2-21	361389	5-7
222516	2-85, 2-91	32509	4-19	361392	5-12
22290	2-15	32523	3-65	361395	5-17
223080	2-13	32895	3-65	361401	5-7
223198	2-63, 3-25	32975	2-53	361428	5-4
223470	2-63	32981	2-23, 2-95	361430	5-28
223599	2-11			361436	5-3
22615	3-7			361440	5-8
22790	4-3			361589	5-12
23146	2-5, 2-55, 3-11			363162	2-69
23211	2-49			36328	2-75, 2-79, 2-93
23285	4-3			363301	2-69
23498	2-85, 2-91, 2-95			363458	2-5
23524-1	2-67			363543	2-87
23788	2-43			363976	2-7
24012	2-31			364347	2-43
24105	3-3			364441	2-69, 3-13
				364587	2-49
				364749	2-13
				364779	2-25

CROSS REFERENCE

Part Number	Page Number	Part Number	Page Number	Part Number	Page Number
364864	2-43	373427	4-7	384419	2-19
364948	2-43	373429	4-7	384859	5-29
364972	2-21	373434	4-7	384871	5-9
365066	2-25	373493	4-7	384872	5-7, 5-11, 5-29
365095	2-87	373494	4-7	384874	5-10
365164	2-87	373633	4-11, 4-13	385685	2-82, 2-89, 3-5, 3-55
365190	2-25	373637	4-13	386088	2-47, 2-75, 2-79
36643	2-47, 2-95	373639	4-13	386264	2-69
36644	2-63	373640	4-11, 4-13	386298	2-69, 3-7
36658	2-53	373642	4-11, 4-13	386652	3-5
36661	2-53	373646	4-11	386847	2-67
367313	2-57, 2-67	373647	2-113, 4-11, 4-13	387281	2-103
367591	2-21	373648	4-11, 4-13	387433	2-69
367770	2-67	373656	4-11, 4-13	387500	2-69
367771	2-5	373657	4-11, 4-13	388500	5-21
367812	2-33	373658	4-11, 4-13	38968	4-5
367949	2-81, 2-82	373660	4-13	39051	5-3
368056	2-21	373661	4-11	39062	5-3
368059	2-21	373662	4-11	39065	5-7, 5-23, 5-27
368090	5-29	373663	4-11, 4-13	39073	5-4, 5-5
368091	5-29	373665	4-13	39087	5-3
368391	2-13	373666	4-13	39088	5-3, 5-5
36845	3-9	373667	4-13	39094	5-4
369359	3-7, 3-51, 3-63	373668	4-13	390994	2-81
369704	2-37	373670	4-11, 4-13	39121	5-7, 5-23, 5-27
369745	2-27	373671	4-13	391368	2-17
369746	1-1, 2-27	373678	4-7	39160	5-23
369747	2-27	373679	4-7	39197	5-15
369811	3-3	373680	4-7	39210	2-61
371017	5-9	373681	4-7	392171	2-11
372901	5-10	373683	4-11	392611	2-29
372904	5-10	373684	4-13	39277	2-5, 2-7, 2-21, 2-23, 2-29, 2-85, 2-91, 2-93, 2-109
372905	5-11	373688	4-13	39278	2-47
372906	5-5	374560	2-39	39279	2-43
372907	5-5	374563	2-39	39281	2-71
372912	5-10	375321	3-47	39283	2-5, 2-7, 2-21, 2-29, 2-33, 2-107
372913	5-10	375322	3-3	39284	2-21, 2-27, 2-47, 3-51, 3-63
372917	5-20, 5-21	37555	4-8, 4-9	39285	2-33, 2-95
372928	5-10	37616	4-5	39308	2-75, 2-79
373217	4-5	376735	2-33	39311	2-7
373226	4-5	377334	3-55	39312	2-53
373236	4-5	377349	2-82, 3-3, 3-55	393135	2-73, 2-77, 3-49
373260	4-5	377537	1-1	393215	2-39, 2-49
373291	4-5	377538	1-1	393244	1-1, 2-29
373297	4-5	377540	1-1	393400	5-17
373298	4-5	37756	4-5	393401	2-21
373299	4-5	379609	2-39, 4-5	39349	2-7, 2-13, 2-19, 2-47, 2-75, 2-79, 2-81, 2-85, 2-91, 4-23
373317	4-7	379656	2-25	393504	5-5
373327	4-7	379791	2-57	393566	5-20
373346	4-7	379870	2-75, 2-79	393570	5-3
373347	4-7	380521	2-21	393588	5-8
373348	4-7	381502	2-43	393598	5-12
373389	4-7	381857	2-103	39507	5-20
373391	4-7	382099	2-63	39527	2-59, 2-61, 4-8
373393	4-7	382224	2-43		
373394	4-7	382320	2-81, 2-82, 2-89, 3-60		
373395	4-7	382516	2-11		
373398	4-7	38255	4-5		
373402	4-7	383165	2-11		
373413	4-7	383820	3-36, 3-37, 3-38, 3-39		

CROSS REFERENCE

Part Number	Page Number	Part Number	Page Number	Part Number	Page Number
39534	2-95	46482	2-111, 2-113	55586	2-59, 2-61, 2-113
395973	2-113, 3-13	46563	2-43	55685	3-13, 3-57
395974	2-113, 3-13	46785-1	2-67	55837	2-21
396255	2-101	47512	2-107	55845	3-45, 3-63
39703-2	1-1, 2-21	47513	2-93, 2-107	55847	5-8
39811	2-63	47522	2-15, 2-39	55926	4-7
398279	2-27	47566	2-25	56078	2-59, 2-61
398500	3-47	47585	2-15	56186	2-25, 3-17, 3-25, 3-47, 3-53
398501	2-11	47638	2-49, 3-57	56690	2-15, 2-111, 3-13, 3-15
398508	2-11	47719	3-11	56692	2-93
40166	5-20, 5-26, 5-27	47752	2-109	56820	2-113
40362	2-111	47801	2-39	56821	3-7
40407	5-27	48079	2-47	56835	2-15
40409	5-11	48126	2-23	56992	2-11
40418	5-29	48790	3-27	57248	3-17
40678	2-109	48985	2-63, 3-9	57315	2-39
40755	3-57	49145	2-41	57702	3-51, 3-63
41139	2-19	49266	2-11, 2-25, 2-33, 2-35, 2-39, 2-61, 3-27, 3-38, 3-39, 3-53	57804	2-37
41141	2-65	49697	2-73, 2-77	57946	2-103
41169	2-45, 2-47	49800	2-13	58311	2-43
41178	2-13, 2-33, 2-95	49933	2-113	58494	2-13
41185	2-75, 2-79	50161	2-109	58566	2-21
41186	2-29, 2-47, 2-85, 2-91, 3-9	50178	3-11	58592	2-111
41187	2-47, 2-67, 2-75, 2-79	50335	2-47	58819	2-5, 2-7, 2-45
41295	3-3, 3-5	50544	2-87	58979	2-91
41342	4-23	50646	2-55	59009	2-43
41346	3-9	50901	3-27	59015	2-25
41359	3-25	51109	2-43	59156	2-29, 3-9
41361	2-29	51176	2-21	59542	2-49
41399	2-45	51305	2-35	59577	2-113, 3-15
41430	2-21, 2-33, 2-47, 2-95, 2-109, 3-41, 3-51, 3-63	51332	5-11	59578	2-21
41445	2-75, 2-79	51338	2-39	59633	3-9
41579	4-19	51339	2-39	59649	2-95
41619	2-63, 2-67, 2-75, 2-79	51824	2-63	59661	3-65
41973	5-13, 5-15, 5-27, 5-29	51869	2-21	59668	2-45
42011	2-29	51869	2-21	59681	4-23
42120	2-63	52405	4-5	59962	2-43
42120-1	2-49	53029	2-25	59967	2-95
42133A	3-3, 3-17, 3-27	53076	2-107	60090	2-109, 3-13
42180	2-45	53466	2-5, 2-7, 2-37, 2-109	60295	2-37
42215	2-95	53947	2-47	607775	4-19
42223	2-39	53953	2-47	61490	4-8, 4-9
42226	2-113, 3-13	54017	2-107	62471	2-109
42227	3-57	54051	2-39	630164	3-27
42467	2-47	54052	2-39	630371	3-3
43555	2-69, 2-85, 2-91	54087	2-39	63175-1	3-9
43844	2-35, 3-3, 3-5, 3-17, 3-27	54205	2-47	63233	3-9
44868	2-59, 2-61, 2-95, 2-107, 3-13	54274	2-33, 2-93, 2-95	63234	2-47
44869	2-95, 2-107, 2-111, 3-13	54275A	2-95	63244-2	3-3
44961	4-19	54333	2-23, 2-25, 2-37, 3-11, 3-17, 3-19, 3-21, 3-27, 3-29, 3-31, 3-47	63468	2-71
45622	4-5	54390	2-41	63810	2-21, 2-87, 3-3, 3-5, 3-11, 3-19, 3-21, 3-29, 3-31, 3-47, 3-55
45623	4-5	54607	2-43	63923	4-16
45628	4-8, 4-9	54615	2-89	63987-1	3-27
46236	3-36, 3-37	54655	2-47	64425	2-71, 2-73, 2-75, 2-77, 2-79
46481	2-109	54911-16	2-21	64778	3-27, 3-47
		55248	3-43	65145-1	2-107
		55455	2-111		

CROSS REFERENCE

Part Number	Page Number	Part Number	Page Number	Part Number	Page Number
65180	2-71	70911	2-21, 5-7	71988	5-3
65215	2-111	70912	5-7	71990	5-3
65230	4-9	70913	5-7, 5-10	71991	5-3
65241	4-8	70919	5-8	71992	5-3
65441	2-45	70920	5-8	71993	5-3
65580	3-45, 3-53	70923	5-9	71995	5-28
65581	3-27	70924	5-9	71996	5-5
66187	5-4	70925	5-9	71997	5-5
66194	5-5	70929	5-10	71999	5-5
66204	5-17	70934	5-11	72010	5-5
66207	5-17	70935	5-11	72013	5-7
67004	3-45, 3-53	70936	5-12	72014	5-7
67555	2-63	70937	5-12	72015	5-7
67767	2-45	70941	5-17	72016	5-7
67811	2-107	70942	5-17	72019	5-7
68275	2-13	70943	5-17	72897	2-49
68866	2-45	70945	5-17	72926	2-39
68869	2-37	70946	5-17	72968	3-27, 3-45, 3-53
69173	2-113	70947	5-17	72993	5-7
69234	2-25, 2-27	70948	5-9	72994	5-7
69582	2-43	70954	5-17	72998	5-9
69785	2-82	70955	5-17	73260	3-3, 4-16
70096	4-7	70956	5-18	73281	2-39
70100	4-7	70965	5-20	73342	4-3
70157	2-93	70966	5-20	73411	2-47
70165	2-21, 5-23	70967	5-20	73433	3-3
70173	2-25	70968	5-20	73468	3-3, 3-17, 3-27
70188	5-23	70972	5-23	73471	2-35
70196	5-19	70973	5-23	73479	5-9
70197	5-19	70974	5-23	73481	5-11
70198	5-19	70977	5-13	73482	5-10
70199	5-19	70978	5-13	73483	5-10
70200	5-19	70982	5-27	73484	5-10
70201	5-19	70983	5-27	73487	5-11
70202	5-19	70984	5-27	73488	5-11
70203	5-19	70989	5-28	73489	5-11
70204	5-19	70991	5-28	73491	5-12
70205	5-19	70992	5-28	73492	5-12
70206	5-19	70994	5-29	73493	5-12
70207	5-19	70998	5-3	73494	5-12
70208	5-19	70999	5-3	73497	5-12
70209	5-19	71204	2-67	73498	5-12
70210	5-19	71367	2-43	73499	5-12
70211	5-19	71369	2-63	73500	5-12
70212	5-19	71385	2-21	73502	5-12
70213	5-19	71388	2-21, 2-29	73504	5-12
70709	2-15	71539	2-25	73506	5-12
70717	2-15	71556	2-101	73507	5-12
70887	5-3	71607	2-75, 2-79	73508	5-12
70888	5-3	71726	2-111	73509	5-15
70889	5-4	71727	2-113, 3-13	73511	5-15
70897	5-5	71729	4-8	73512	5-15
70900	5-7	71741	2-101	73513	5-15
70901	5-7	71868	3-9	73514	5-15
70902	5-7	71869	3-9	73515	5-15
70903	5-7	71874	3-9	73516	5-15
70904	5-7	71941	2-17	73517	5-15
70905	5-7	71985	5-3	73518	5-15
70906	5-7	71986	5-3	73519	5-15
70907	2-21, 5-7	71987	5-3	73520	5-17

CROSS REFERENCE

Part Number	Page Number	Part Number	Page Number	Part Number	Page Number
73521	5-17	73624	5-27	77098	2-63, 2-93, 2-95, 3-9
73522	5-17	73625	5-27	77221	2-134
73523	5-17	73626	5-27	77345	2-39
73524	5-17	73631	5-28	77347	3-61
73525	5-17	73632	5-29	78043	2-25
73526	5-17	73633	5-29	78398	3-3, 4-3
73527	5-17	73634	5-29	78829	4-3
73528	5-17	73736	2-11	78830	4-3
73529	5-17	73737	2-29	78833	4-3
73530	5-17	74077	2-19	78836	4-3
73532	5-17	74090	2-85, 2-91	78838	4-3
73533	5-18	74094	4-8, 4-9	78839	4-3
73545	5-19	74095	4-8	78840	4-3
73547	5-19	74098	4-8, 4-13	78841	4-3
73551	5-19	74099	4-8	78842	4-3
73554	5-20	74100	4-8, 4-9	78843	4-3
73555	5-20	74122	4-5	78875	4-16
73560	5-20	74123	4-5	78950	4-17
73561	5-23	74125	4-5	78951	4-17
73562	5-23	74165	4-5	78952	4-17
73563	5-23	74166	4-5	79273-2	2-87
73565	5-23	74167	4-5	79381	2-31, 2-35, 3-45
73567	5-25	74168	4-5	79399	2-21
73568	5-25	74180	4-7	79484	3-3
73569	5-25	74183	4-15	79497	3-3
73570	5-25	74185	4-15	79506	2-85, 2-91
73571	5-25	74193	4-15	79729	4-5
73572	5-25	74196	4-15	79828	4-5
73573	5-25	74222	4-15	80288	2-7
73574	5-25	74225	4-7	80395	2-69, 2-85, 2-91
73575	5-25	74226	4-7	80409	2-71
73576	5-25	74232	4-15	80491	3-65
73577	5-25	74237	4-7	80950	2-71
73578	5-25	74243	4-15	81784	2-75, 2-79
73579	5-25	74244	4-15	82727	2-7
73580	5-25	74245	4-15	82832	2-39
73581	5-25	74250	4-8, 4-9	82839	3-11
73582	5-25	74405	2-21, 5-19	83043	4-23
73585	5-25	74440	2-47	83874	1-1, 2-69
73586	5-25	74452	2-31	83879	2-47
73588	5-23, 5-25	74454	2-95	84170	2-47
73589	5-23, 5-25	74455	2-5, 2-109	84635	5-23, 5-25
73590	5-23, 5-25	76099	3-21, 3-31	84636	5-13
73593	5-13	762514	2-37	84638	5-20
73594	5-13	763024	4-23	84644	5-23
73596	5-13	763042	2-51	84648	5-25
73597	5-13	763090	2-63	84649	5-25
73598	5-13	763114	2-89, 3-43	84650	5-25
73599	5-13	763115	3-38, 3-39	84651	5-23, 5-25
73600	5-13	763116	2-53, 3-21, 3-31	84660	3-66
73601	5-13	76315	2-93	86508	3-3
73602	5-13	76426	2-89	86636	2-89
73603	5-13	76570	2-21, 2-29, 2-85, 2-91	86659	2-41
73604	5-13	76888	2-13	86751	2-43
73606	5-26	76955	2-29	86767	3-45
73610	5-26	769785	3-47	86866	2-63
73619	5-27	77003	4-13	87536	2-11
73621	5-27	77005	4-11, 4-13	87738	2-25
73622	5-27	77097	2-57, 2-67, 2-75, 2-79,	87816	2-75, 2-79
73623	5-27		2-113, 3-9	87866	1-1, 2-11

CROSS REFERENCE

Part Number	Page Number	Part Number	Page Number	Part Number	Page Number
9000355	2-23	9004374	5-26	9010085	3-43
9001310	3-47	9004375	5-26	9010086	3-43
9001314	3-41	9004376	5-23	9011343	4-11, 4-13
9001316	3-60	9004379	5-28	9011345	4-11, 4-13
9001321	3-35	9004381	5-28	9011346	4-11, 4-13
9001327	3-36	9004382	5-28	9011347	4-11, 4-13
9001331	3-37	9004385	5-27	9012585	4-21
9001334	3-45	9004386	5-27	9012587	4-21
9001338	3-51	9004389	5-20	9012589	4-21
9001717	3-39	9004390	5-20	9012591	4-21
9001718	3-38	9004393	5-20	9012592	4-21
9002398	2-111	9004395	5-21	9012593	4-21
9002399	2-5	9004396	5-21	9012594	4-21
9002400	2-5	9004397	5-21	9012595	4-21
9002401	2-5	9004398	5-21	9012832	2-59, 2-61
9002411	2-31	9004399	5-21	9014281	3-27
9002683	2-95	9004400	5-21	9014285	2-71
9002708	4-3	9004401	5-21	9014662	2-3
9002709	4-3	9004402	5-8	9014666	2-3
9003009	4-24	9004403	5-8	9014867	3-49
9003068	2-82	9004404	5-8	9015633	2-15
9003069	2-81	9004405	5-8	9015634	2-15
9003070	2-82	9004406	5-8, 5-11	9015636	2-15, 4-23
9003071	2-81	9004407	5-8	9016006	3-66
9003313	2-91	9004409	5-12	9016050	3-66
9003793	2-85	9004410	5-12	9016051	3-66
9003794	2-91	9004431	5-3	9016052	3-66
9003868	5-8	9004432	5-7	9016053	3-66
9003869	5-8	9004433	5-10	9016054	3-66
9003870	5-8	9004435	5-4	9016241	2-93
9003888	5-4	9004436	5-9	9016242	2-93
9003891	5-18	9004437	5-9	9016284	3-66
9003934	2-23	9004438	5-9	9016315	3-55
9003958	2-23	9004439	5-9	9016322	2-7
9004272	4-25	9004440	5-15	9016323	2-7
9004283	5-28	9004441	5-17	9016325	2-7
9004288	4-25	9004442	5-18	9016328	2-7
9004289	4-25	9004443	5-18	9016331	2-7
9004290	4-25	9004444	5-18	9016334	2-7
9004291	4-25	9004445	5-13	9016494	3-11
9004292	4-25	9004446	5-26	9017944	2-71
9004335	5-3	9004447	5-26	9018721	2-13, 4-21
9004337	5-3	9004448	5-28	9018734	4-21
9004338	5-4	9004449	5-27		
9004339	5-4	9004450	5-20		
9004340	5-5	9004451	5-20		
9004341	5-5	9004454	5-23		
9004346	5-7	9004475	4-13		
9004347	5-7	9004493	2-69		
9004348	5-4	9004775	5-28		
9004349	5-9	9005165	2-81, 2-82		
9004350	5-9	9006060	1-1		
9004358	5-15	9006257	3-66		
9004361	5-17	9007131	3-35		
9004363	5-17	9007142	2-107		
9004368	5-13	9007882	3-25, 4-19		
9004369	5-13	9007883	4-19		
9004371	5-13	9008757	4-24		
9004372	5-13	9008848	4-24		
9004373	5-13	9008868	3-17, 4-24		

PART DESCRIPTION TO PAGE NUMBER CROSS REFERENCE LIST

A

Ace, Thrust, Motor, Hyd [En], 4-9
 Actuator, Govnr, Dsl, 2-21
 Actuator, Valve, By-Pass [En], 4-7
 Adapter, Actuator, Govnr, Eng, Dsl, 2-21
 Adapter, Rod-End, Side Brush, 3-9
 Alarm Assy, Backup, 12/48Vdc, 3-35
 Alarm Kit, Backup, Ci [M20 And T20], 3-35
 Alarm, 9-48vdc, 95 Db(A) [Ec-H20], 3-25
 Alarm, Warning [Sonalert, St628], 2-37
 Alternator, 12vdc, 075a [Valeo], 2-29
 Anchor [Shackle], .50 Bolt, 3-61
 Angle, Brace, Shrd, 2-19
 Angle, Lh, 2-67
 Angle, mtg, Antenna, Telem, 3-43
 Angle, Retainer, 2-51
 Angle, Rh, 2-67
 Angle, Sppt, Fan, 2-93
 Angle, Sppt, Tank, Rear, 2-81
 Antenna, Telem [4g, 180"], 3-43
 Antenna, Telem, 70 In [Gprs], 3-43
 Arm [Positioning], 2-47
 Arm Wldt, Alternator, Dsl, 2-29
 Arm Wldt, Lift, Sqge, Lh, 2-79
 Arm Wldt, Safety, Sppt, Seat, .38d 06.5d, 2-13
 Arm Wldt, Safety, Sppt, Seat, .38d 10.1l, 2-89
 Arm Wldt, Sqge, Lift, Rh, 2-75
 Arm, Cntrl, Pintle, Centering, 2-47
 Arm, Lever, Brake, 4.1 [Knott], 2-41
 Arm, Link, 3-9
 Arm, Pinch, 2-85, 2-91
 Arm, Pintle, 2-47
 Arm, Rocker [Ku], 5-12
 Arm, Sqge, Side, Lh, 2-79
 Arm, Sqge, Side, Rh, 2-75
 Armature, Motor [Ku], 5-19
 Armrest, 4-21

B

Bag, Power, 3-45, 3-53
 Ball, Cshft [Ku], 5-17
 Ball, Relief, Oil [Ku], 5-7
 Bar Wldt, Retainer, Sqge, Rear, 2-69
 Bar, Flat, Ss 0.06, 00.50 X 10.00l, 2sl, 2-11
 Bar, Flat, Stl 0.19, 01.50 X 04.1l, 2-39
 Bar, Flat, Stl 0.38, 01.00 X 03.3l, 2-25
 Bar, Isolator, Vacfan [M20], 2-95
 Bar, Mtg, Hppr, 2-51
 Bar, Mtg, Hppr Cover, 2-53, 3-59
 Bar, Rnd, Plstc, 0.31d 12.5l, 2-81, 2-82
 Base, Fltr, Oil [Ku], 2-21
 Battery, Wet, 12Vdc 0600Cca, 1-1, 2-37
 Bearing, 5-19
 Bearing [Ku], 5-8
 Bearing Kit [C], 4-15
 Bearing, Ball [Ku], 5-13, 5-28
 Bearing, Ball, 0.98b 2.05d 0.59w, 2-59, 2-61

Bearing, Ball, 1.18b 2.44d 0.63w, 2-41
 Bearing, Case [Ku], 5-9
 Bearing, Cone, 1.38b 0.71w, 2-39
 Bearing, Cone, Pump, Hyd, 4-7
 Bearing, Cshft [Ku], 5-17
 Bearing, Cshft, -.2mm [Ku], 5-17
 Bearing, Cshft, Std [Ku], 5-9, 5-17
 Bearing, Cup, 4-7
 Bearing, Cup, 2.56d 0.55w, 2-39
 Bearing, Flng, 2hole, 0.50b, 2-15
 Bearing, Flng, 2hole, 0.50b [Nyl], 2-15
 Bearing, Journal, 0.75b 0.88d 0.75l, 4-23
 Bearing, Pillowblock, 1.02b [Solid Pye], 2-43
 Bearing, Rod, Connecting [-.2mm, Ku], 5-17
 Bearing, Rod, Connecting [-.4mm, Ku], 5-17
 Bearing, Rod, Connecting, Std [Ku], 5-17
 Bearing, Self Align, 0.75b 1.25d, 2-63
 Bearing, Self Align, 1.25b 2.00d, 2-49
 Bearing, Split, 1.00b, 2-43
 Bearing, Thrust, 4-9
 Bearing, Thrust [-.4mm, Ku], 5-17
 Bearing, Thrust [Ku], 5-17
 Bearing, Thrust, 0.53b 1.00d 0.03w, 3-9
 Bearing, Thrust, Pump, Hyd, 4-7
 Bearing, Thrust, Std [Ku], 5-17
 Bellcrank, Lift, Sqge, 2-67
 Bellows, Seat, 4-21
 Belt Kit, W/ Installation Tool, 5-28
 Belt, V, 42.0l [Hc41], 1-1, 2-29
 Bezel, Switch [3 Gang], 2-11
 Blade, Sqge, .38 3.55w 038.3l, Linatex, 1-1, 2-73, 2-77
 Blade, Sqge, .38 3.55w 038.3l, Ure, 1-1
 Blade, Sqge, .38 3.55w 038.3l, Ure (Option), 2-73, 2-77
 Blade, Sqge, Front, 49.58l [Linard], 1-1, 2-69
 Blade, Sqge, Front, 49.58l Ure, 1-1
 Blade, Sqge, Front, 49.58l Ure (Option), 2-69
 Blade, Sqge, Rear, 53.78l Ure, 1-1
 Blade, Sqge, Rear, 53.78l Ure (Option), 2-69
 Blade, Sqge, Rear, Linatex, 1-1, 2-69
 Blade, Sqge, Side Brush, Linatex, 1-1, 3-7
 Blade, Sqge, Side Brush, Urethane, 1-1, 3-7
 Block, Centering, 2-67
 Block, Guide, Hppr, 2-5
 Bolt, 5-7, 5-9, 5-11, 5-12, 5-19, 5-29
 Bolt [Ku], 5-4, 5-8, 5-11, 5-18, 5-23, 5-27, 5-29
 Bolt, Adjustment Assy [Ku], 5-26
 Bolt, Carriage, M06 X 1.0 X 30, 2-57
 Bolt, Carriage, M06 X 1.00 X 40, 4.6, 3-25
 Bolt, Carriage, M10 X 1.5 X 70, 2-71
 Bolt, Eye, .25-20 X 1.40 X .25 Eye, 2-47

Bolt, Eye, M08 X 1.25 X 070mm, 05.50 Eye, 2-75, 2-79
 Bolt, Eye, M10 X 1.50 X 064mm, 07.10 Eye, 2-67
 Bolt, Eye, M8X1.25, 2.75L, 2-47
 Bolt, Flng, 5-8
 Bolt, Hex [Ku], 5-13, 5-15, 5-23, 5-27, 5-29
 Bolt, Motor, Hyd, 4-5
 Bolt, Shld, .31d X 1.00, .25-20, 2-47
 Bolt, Shld, 1.37d X 5.13l, 1.1-18 Drilled, 2-39
 Boot, .63id .29l .90w, 2-11
 Boot, 90deg .50id 1.00id 2.50l, Red, 2-29
 Boot, Circuitbreaker, 3-25
 Boot, Switch, Ignition, 2-11
 Bracket Wldt, Brush Wrap Mtg, Rh, 2-63
 Bracket Wldt, Brush Wrap, Lh, 2-63
 Bracket Wldt, Flap, Recirculation, 2-65
 Bracket Wldt, Guard, Sqge, 3-51, 3-63
 Bracket Wldt, Hose, 2-15
 Bracket Wldt, Latch, 2-17
 Bracket Wldt, Mtg, 3-55
 Bracket Wldt, Mtg [FaST Gen 2+], 3-17
 Bracket Wldt, Mtg, Alternator, Dsl, 2-29
 Bracket Wldt, Mtg, Caster, 2-71
 Bracket Wldt, Mtg, Eng, Front, Dsl, 2-21
 Bracket Wldt, Mtg, Eng, Rear, Dsl, 2-21
 Bracket Wldt, Mtg, Side Brush Fixed, 3-7
 Bracket Wldt, Mtg, Sqge, 2-71
 Bracket Wldt, Mtg, Tank, 2-7
 Bracket Wldt, Pivot, Hppr Door, Lh, 2-57
 Bracket Wldt, Pivot, Hppr, Rh, 2-57
 Bracket Wldt, Propel, Pintle, 2-47
 Bracket Wldt, Steering, Tilt, 2-15
 Bracket Wldt, Steering, Tilt, Rh, 2-15
 Bracket Wldt, Tank, Soltn, Rh, 2-81
 Bracket, Cover, 2-33, 2-57
 Bracket, Cover, Hopper, 2-57
 Bracket, Cover, Hppr, 2-53, 3-59
 Bracket, Guide, Shrd, 2-19
 Bracket, Latch, Cover, 2-19, 3-49
 Bracket, Latch, Keeper [Southco], 2-19
 Bracket, Latch, Shrd, Seat, 2-13
 Bracket, Lip, Hppr, 2-57
 Bracket, Mtg, 2-7
 Bracket, Mtg [FaST Gen 2+], 3-17
 Bracket, Mtg, Air Fltr, Dsl, 2-27
 Bracket, Mtg, Cable, 2-43
 Bracket, Mtg, Camera [M20/M30] (PRO PANEL ONLY), 2-89
 Bracket, Mtg, Coolant, Tank, Dsl [2010], 2-25
 Bracket, Mtg, Cover, Recvy Tank, 2-89
 Bracket, Mtg, Cyl, 2-75, 2-79
 Bracket, Mtg, Detgt And Spray Wand, 3-5
 Bracket, Mtg, Ecu [M20/T20 2007], 2-25
 Bracket, Mtg, Fan, Shrd, Lower, Dsl, 2-33
 Bracket, Mtg, Fan, Shrd, Upper, Dsl, 2-33
 Bracket, Mtg, Fltr, Oil, Remote, 2-21
 Bracket, Mtg, Govnr Control, Dsl, 2-25
 Bracket, Mtg, Insulation, 2-7

CROSS REFERENCE

Bracket, Mtg, Latch, 3-65
Bracket, Mtg, Latch, Tank Cover, 2-81, 2-82
Bracket, Mtg, Lift, Scb Head, 2-63
Bracket, Mtg, Mirror, Rearview, 3-41
Bracket, Mtg, Motor, 2-95
Bracket, Mtg, Prop Rod, 2-89
Bracket, Mtg, Pump, Hp, Replmt, 3-55
Bracket, Mtg, Radiator, 2-33
Bracket, Mtg, Rocker Arm [Ku], 5-12
Bracket, Mtg, Scb Head, Lh, 2-63
Bracket, Mtg, Scb Head, Rh, 2-63
Bracket, Mtg, Sensor, 2-47
Bracket, Mtg, Skirt, 2-65
Bracket, Mtg, Skirt, Brush Door, 2-73, 2-77
Bracket, Mtg, Skirt, Door, 2-73, 2-77
Bracket, Mtg, Skirt, Door, Brush, 2-73, 2-77
Bracket, Mtg, Sppt, 2-39
Bracket, Mtg, Spray Handle, 3-47
Bracket, Mtg, Spray Wand [FaST, Conv], 3-47
Bracket, Mtg, Spring, 2-63
Bracket, Mtg, Strainer, 3-5
Bracket, Mtg, Switch, 2-43, 2-55
Bracket, Mtg, Valve, 3-3
Bracket, Mtg, Valve [Combined], 2-113
Bracket, Mtg, Valve, Lower, 2-113
Bracket, Muffler, Hanger, Front, 2-31
Bracket, Propel, Dsl, 2-47
Bracket, Protector, Float Switch, 2-89
Bracket, Retainer, Lh, 2-59
Bracket, Retainer, Pump, 3-17
Bracket, Retainer, Rh, 2-61
Bracket, Retainer, Safety, 2-47
Bracket, Retaining, Hose, 2-85, 2-91, 3-49
Bracket, Seat, Adj, 2-13
Bracket, Shield, Heat, 2-19
Bracket, Shrd, Radiator, Dsl, Ce, 2-33
Bracket, Soltn, Tank, Cntr, 2-81
Bracket, Spacer, Controlbox, 3-43
Bracket, Sppt, 2-33, 2-59, 2-61
Bracket, Sppt, Alternator, Dsl, 2-29
Bracket, Sppt, Cover, Tank, Recvy, 2-89
Bracket, Sppt, Strobe Light, 3-35, 3-36
Bracket, Sppt, Strobel Light, 3-37
Bracket, Sppt, Tank, Lh, 2-89
Bracket, Sppt, Tank, Rh, 2-89
Bracket, Tank, Soltn, Lh, 2-81
Bracket, Valve, Mtg, 3-57
Bracket, Valve, Sba [M20 And T20], 3-13
Brake Assy, Drum, Mech, 07.0d 1.2w, 2-41
Brush Assy, Disk, Scb, 16.0d, Heavy Duty Polypropylene, 2-3
Brush Assy, Disk, Scb, 16.0d, Nylon, 2-3
Brush Assy, Disk, Scb, 16.0d, Super Abrasive, 2-3
Brush Assy, Disk, Swp, 24.0d, Polypropylene, 2-3
Brush Kit, Hub Assy, Drive, Ci [Hdpe In], 2-3
Brush Kit, Hub Assy, Drive, Ci [Uhmw], 2-3
Brush, Sweep / Scb, 40L, 24Sr, Super Abrasive, Spiral, 2-2

Brush, Sweep / Scb, 40L, Heavy Duty Polypropylene, Spiral, 2-2
Brush, Sweep / Scb, 40L, Polyester, Spiral, 2-2
Brush, Sweep / Scb, 40L, Polypropylene, Spiral, 2-2
Brush, Sweep / Scb, 40L, Window, Super Abrasive, Spiral, 2-2
Brush, Sweep / Scb, 40L, Window, Polypropylene, Spiral, 2-2
Brushholder, 5-19
Bumper Wldt, Brush, Side, 3-7
Bumper, Rbr, 0.5d 0.16t M5 X 08, 2-47
Bumper, Sqge, 2-69
Bumper, Ure, 1.50d 1.25l, 3-51, 3-63
Bushing, Eccentric, Adj, 2-85, 2-91
Bushing, Flng, 0.32b 0.50d 0.24l, Bnz, 2-71
Bushing, Flng, 0.50b 0.59d 0.38l, 2-85, 2-91
Bushing, Flng, 0.63b 0.75d 0.38l, 2-71, 2-73, 2-77
Bushing, Flng, 1.00b 1.13d 0.50l, 2-57, 2-67
Bushing, Flng, 1.25b 1.41d 0.50l, 4-23
Bushing, Gear, Gov [Ku], 5-3
Bushing, Gear, Idler [Ku], 5-15
Bushing, Pin, Piston [Ku]16241-21351, 5-17
Bushing, Sleeve, 0.37b 0.50d 0.50l, Oib, 2-43
Bushing, Sleeve, 0.50b 0.59d 0.50l, Bnz, 3-9
Bushing, Sleeve, 0.62b 0.72d 0.50l, Fgl, 2-71
Bushing, Sleeve, 0.63b 0.72d 0.38l, 2-75, 2-79
Bushing, Sleeve, 0.75b 0.88d 0.25l, 2-85, 2-91
Bushing, Sleeve, 0.78b 0.86d 0.93l, Bnz, 2-41
Bushing, Sleeve, 0.88b 1.00d 0.75l, Bnz, 2-49
Bushing, Sleeve, 1.00b 1.13d 1.50l, Fgl, 3-9
Bypass Valve Kit, Pump, Repair,, 4-17

C

Cable, 06ga 16.0l Red .38ring / .38ring, 2-29
Cable, Battery, 02ga 48.0l Red .41ring, 2-37
Cable, Battery, 02ga 60.0l Blk .41ring, 2-37
Cable, Camera, 236.2l [Hvs] (PRO PANEL ONLY), 2-89
Cable, Glv .06d 012.0l .26eye / .26eye, 3-51, 3-63
Cable, Glv .09d 016.5l .38eye / .38eye, 2-17
Cable, Glv .13d 015.8l .50eye / .50eye, 2-75, 2-79

Cable, Push / Pull, 063.0l 4.0, .31-24, 2-43
Cable, Push / Pull, 098.0l .25-28/.25-28, 2-45
Cam, Centering, Pintle, 2-47
Cam, Front, Yel, 3-7
Cam, Front, Yellow, 2-69
Cam, Plt, Brake [Nickel], 2-41
Cam, Rear, Yellow, 2-69
Camera, Color, Fixed (PRO PANEL ONLY), 2-89
Camshaft, 5-13
Cap Assy, Tank, Drain, 2-89, 4-3
Cap Screw, 4-8
Cap Screw Cl, 4-9
Cap, Arm, Lift, 2-55
Cap, Breather, Hyd, W Chain, 2-111
Cap, End, Valve, Steering, 4-15
Cap, Filler, Oil [Ku], 5-7, 5-10
Cap, Fuel, Tank, 2-23
Cap, Hub, Dust 2.57d 0.77l, 2-41
Cap, Radiator, 14Psi [Stant], 2-33
Cap, Screw, Idler [Ku], 5-26
Cap, Sealing, 5-5
Cap, Sealing, Eng [Ku], 5-5
Cap, Tank, 3-5
Cap, Valve [Ku], 5-12
Cap, Vinyl, 57mmid X 23mml, 2-59, 2-61
Capacitor, Plug [4700uf, 25v], 3-34
Case, Main, Brg Assy, 5-9
Caster Assy, F/ Sqge, Replmt[M20/T20], 2-71
Caster Kit, Rear Squeegee, Am, 2-71
Caster, Pivot, 2-71
Catch, Latch, Tank Cover, 2-81, 2-82
Chain, Str, 4/0, 08 Link, 2-67
Channel Wldt, Pivot, 3-9
Channel, .18, 2.5w 1.3 01.0l, 1/0.5h (Flashing or Strobe Light Option Only), 3-55
Channel, Shield, Muffler [M20/T20 2007], 2-31
Channel, Upper, Tower, Lift, 2-5
Chech Valve Kit, Pump, Repair,, 4-17
Circuitboard Assy [Dc To Dc Conv.], 3-25
Circuitbreaker, 02.0a, Resetable, 3-25
Clamp [Kubota], 5-8
Clamp Wldt, Front, 2-69
Clamp Wldt, Rear, 2-69
Clamp, Cable, Nyl, 0.62D, Nat, 3-43
Clamp, Cable, Ss, 0.50d X 0.50w [Insul], 4-19
Clamp, Cable, Ss, 1.12d X 0.38w, 1h, 2-87
Clamp, Cable, Ss, 2.50d X 1.00w, 1hole, 2-93
Clamp, Cable, Stil, 0.25D X 0.56W, 1Hole, 3-36, 3-37
Clamp, Cable, Stil, 0.44d X 0.62w, 1h, 2-109
Clamp, Cable, Stil, 0.69d X 0.62w, 1h, 2-45
Clamp, Cable, Stil, 1.00d X 0.75w, 1h, 2-25, 2-27

Clamp, Cable, Stl, 1.50d X 1.00w, 1h, 2-7, 2-37, 2-109
 Clamp, Cable, Stl, 1.50d X 1.00w, 1hole, 2-5
 Clamp, Hose, 5-10
 Clamp, Hose, Heater [Ku], 5-29
 Clamp, Hose, Wir, .52 - .56, Yel, 4-19
 Clamp, Hose, Wir, .63 - .66, Blk, 4-19
 Clamp, Hose, Wormdrive, 0.25-0.62d, .31w, 2-35, 3-3, 3-5, 3-17, 3-27
 Clamp, Hose, Wormdrive, 0.31-0.88d, .31w, 2-23, 2-25, 2-37, 3-11, 3-17, 3-19, 3-21, 3-27, 3-29, 3-31, 3-47
 Clamp, Hose, Wormdrive, 0.56-1.06d, .56w, 2-21, 2-87, 3-3, 3-5, 3-11, 3-19, 3-21, 3-29, 3-31, 3-47, 3-55
 Clamp, Hose, Wormdrive, 0.81-1.50d, .50w, 2-35
 Clamp, Hose, Wormdrive, 1.25-2.00d, .50w, 2-31, 2-35, 3-45
 Clamp, Hose, Wormdrive, 1.81-2.75d, .50w, 2-27
 Clamp, Hose, Wormdrive, 2.50-3.50d, .50w, 2-69, 2-85, 2-91
 Clamp, Hose, Wormdrive, 3.56-4.50d, .50w, 2-85, 2-91, 2-95
 Clamp, Hyd, 0.50d, 2-59, 2-61
 Clamp, Mtg, Fltr, Air, 2-27
 Clamp, Muffler, 1.62d, 2-31
 Clamp, Pipe, 5-20
 Clamp, Tube, Inj, Pipe #1 [Ku], 5-20
 Clevis, Adj, 0.25 Pin, 0.25-28 Rh, Pl, 2-43
 Clevis, Adj, 0.25pin, 0.25-28left Pl, 2-43
 Clevis, Adj, 0.31pin, 0.31-24, 2-43
 Clip, Grip, Finger, .875-1.25, 3-47
 Clip, Grip, Finger, 0.88-1.25d, 3-25
 Clip, Grip, Finger, 1.00-1.88d White,Vyl, 3-45, 3-53
 Clip, Keeper, Open, 2-33
 Clip, Tie, 0.25d, Plstc (PRO PANEL ONLY), 2-89
 Clutch, 5-19
 Collar, Crank, Front [Ku], 5-17
 Collar, Gear [Ku], 5-15
 Collar, Govnr [Ku], 5-28
 Column, Pump, Water, 4-3
 Complete Pump Kit, Pump, Repair,, 4-17
 Connector, Fem, 02cav, Mp280 Sealed, 4-17
 Control Box Assy Kit, Replmt, Telem [CAN], 3-43
 Control Box Assy Kit, Replmt, Telem [USA], 3-43
 Control, Fuel, 5-25
 Control, Govnr [All Purpose], 2-25
 Controller Kit, Replmt [Ec-H20], 4-19
 Cord, Ele, Glowplug, 5-20
 Coupler, Pump, 4-7
 Coupling, Drive, Flex, 09.5d / 13tooth, 2-21
 Coupling, Nozzle, Spray, 3-47
 Cover, 5-7, 5-19
 Cover Kit, Soltn Tank, Rh [M20 & T20], 2-81

Cover Kit, Tank, Soltn, Lh, Replmt, 2-82
 Cover Kit, Tank, Soltn, Lh, Replmt, Ce (Japan and Europe Only), 2-82
 Cover Kit, Tank, Soltn, Rh, Replmt, Ce (Japan and Europe Only), 2-81
 Cover Wldt, Power Supply, 3-25
 Cover, Backrest, 4-21
 Cover, Breather, 5-10
 Cover, Brg Case, Eng [Ku], 5-9
 Cover, Cushion, 4-21
 Cover, Cyl Head Assy [Ku], 5-10
 Cover, End, 4-7
 Cover, Fuse, Block, 2-37
 Cover, Hole, Pump [Ku], 5-23
 Cover, Hole, Pump, Fuel [Ku], 5-23
 Cover, Hppr, 2-53, 3-59
 Cover, Lever, Gov [Ku], 5-28
 Cover, Lower, 2-13, 2-19
 Cover, Pump, Oil, 5-7
 Cover, Solenoid [Ku], 5-23
 Cover, Tank, 2-89
 Cover, Tank, Recvy, Trimmed, 2-89
 Cover, Tank, Soltn, Lh, Trimmed, 2-82
 Cover, Tank, Soltn, Lh, Trimmed, Ce (Japan and Europe Only), 2-82
 Cover, Tank, Soltn, Rh, Trimmed, 2-81
 Cover, Tank, Soltn, Rh, Trimmed, Ce (Japan and Europe Only), 2-81
 Cover, Trimmed, 3-25
 Crank Kit, Pump, F/79323, Replmt, 4-16
 Crankcase, Comp [Ku], 5-7
 Crankcase, Complt [Ku], 5-3
 Crankshaft, 5-17
 Crankshaft Assy, 5-15
 Crankshaft, Metal [Ku], 5-9
 Crossmember Wldt [M20], 2-71
 Cup Holder, Rwk, 2-11
 Cylinder, Hyd, 1.5b 07.8l 02.75strk 2500, 2-57, 3-9
 Cylinder, Hyd, 1.5b 07.8l 02.80strk 2500, 2-63, 2-67, 2-75, 2-79, 3-9
 Cylinder, Hyd, 2.0B 24.1L 15.00Strk 3000, 2-49
 Cylinder, Hyd, 2.0b,15.2l,09.00strk,3000, 2-39

D

Detergent, Pkg, 2 Liter, Sgl [665], 3-17
 Diaphragm Kit, Pump, Repair,, 4-17
 Diode, Ele, Plug, 2-37
 Dipstick, Oil [Ku], 5-4
 Door Wldt, Brush, 2-59, 2-61
 Door Wldt, Brush, Idler, 2-59, 2-61
 Door Wldt, Brush, Lh, 2-79
 Door Wldt, Brush, Rh, 2-75
 Door Wldt, Hppr, 2-57
 Drive, 4-8
 Drive [Cl], 4-9
 Drive, Motor, Hyd, 4-5

E

Ear, Lifting, Eng [Ku], 5-5
 ec-H2O Kit, Flush, Replmt[M20, M30&T20], 3-27
 Electrode, 5 Plate, High Flow, 4-19
 Electrode, Cylindrical, 4-19
 Element, Fltr, Air [Dn], 1-1, 2-27
 Element, Fltr, Air, Safety (Option), 2-27
 Element, Fltr, Fuel [Dn], 1-1, 2-25
 Element, Fltr, Oil, Spin-On, 2-21
 Element, Fltr, Oil, Spin-On [Ku], 1-1
 End Cap, 4-8
 End Cap, Motor, Hyd [En], 4-9
 Engine Assy, Dsl, 25hp [Ku V1505 Tier4f] (See Engine Breakdown), 2-21
 Extinguisher Kit, Fire, Ci [M20 And T20], 3-60
 Extinguisher, Fire, 2.5 Lb Dry, 3-60
 Eye, Joint [Ku], 5-23

F

Fan Kit, Scb, Replmt [M20/T20/M30], 2-93
 Fan Wldt, Vac, Inlet, 2-95
 Fan, Cooling, 14.1d, 6 Blade, 0.5b Taper, 2-29
 FaST Kit, Ci [inj Reblid, M30/M20 III], 4-24
 FaST Kit, Ci, Injector Filters[FaST li+], 4-24
 FaST Kit, Injector [M20/T20/M30 FaST III] (See Breakdowns), 3-17
 FaST Kit, Injector [M20/T20/m30 FaST III], 4-24
 FaST Kit, Seal, injector, Ci [FaST III], 4-24
 Filter Assy, Air, 2-27
 Filter Assy, Fuel, Dsl, 2-25
 Filter Assy, Hyd, 10mic, 1-1, 2-111
 Filter, In-Line, Pf06/Pf06 080mesh 02.6l, 3-17, 3-27
 Filter, Oil [Ku], 5-4
 Filter, Panl, Syn, 4.2 X 20.0 X 30.0, 1-1, 2-53
 Filter, Soltn, 020mesh, Pm12 3.1d 02.6l, 3-55
 Filter, Soltn, 020mesh, Pm12 3.2d 08.0l, 3-5
 Filter, Soltn, 20mesh, Pm12 3.1d 02.6l, 1-1, 2-82
 Filter, Y, In-Line, .75, 3-55
 Fitting Assy, Qdc, Pf04, 3-27
 Fitting Kit, Hose, Garden, 3-3
 Fitting, Alm, Str, Bm24/Bm48, 3-45
 Fitting, Brs, E45, Pf02/Pm02, 2-21
 Fitting, Brs, E90, Bm12/Pm12, 3-55
 Fitting, Brs, E90, Em05/Pm02, 2-25
 Fitting, Brs, E90, Em05/Pm04, 2-23
 Fitting, Brs, E90, Pf06/Pm06, Spcl, 3-55
 Fitting, Brs, E90, Pf08/Pm06, 3-55
 Fitting, Brs, E90, Pm02/Bm03, 2-23, 2-55, 3-5
 Fitting, Brs, Qdc, Bm12/Qf08, 3-3
 Fitting, Brs, Qdc, Pf08 [Parker Bh3f], 3-3

CROSS REFERENCE

- Fitting, Brs, Snubber, Pm02/Pf02, 3-27
Fitting, Brs, Str, Bm12/Pm08, 3-55
Fitting, Brs, Str, Bm12/Pm12, 3-55
Fitting, Brs, Str, If05/Pm04, 2-25
Fitting, Brs, Str, Pf02/Pm06, 3-27
Fitting, Brs, Str, Pf04/Pm06, Bshg, 2-35
Fitting, Brs, Str, Pf06/Pf06 Bh, 3-47
Fitting, Brs, Str, Pf06/Pm04, 3-53
Fitting, Brs, Str, Pf06/Pm12, 3-47
Fitting, Brs, Str, Pm04/Pm06 [Hp], 3-53, 3-55
Fitting, Brs, Str, Pm06/ Pm06, 3-55
Fitting, Brs, Str, Pm08/Garden Hose, 3-47
Fitting, Brs, Tee, Pf04/Pf04/Pm04, Run, 3-17
Fitting, Draincock [Ku], 5-3
Fitting, Draincock, E90, .25npt, 2-35
Fitting, E, Gr, 4-3
Fitting, Fitr, Oil [Ku], 5-7
Fitting, Fuel [Ku], 5-20
Fitting, Grease, Str Pm04 .47l, 2-49, 2-57, 2-63, 2-71
Fitting, Grease, Str Pm04 .63l, 2-39
Fitting, Hyd, Cap, Jf04, 2-109
Fitting, Hyd, Cap, Jf08, 2-109, 3-13
Fitting, Hyd, E45, Jf08/Jm08, 2-113, 3-57
Fitting, Hyd, E45, Jf10/Jm10, 2-107
Fitting, Hyd, E45, Jm04/Om04, 3-13
Fitting, Hyd, E45, Jm04/Om06, 2-39, 2-49
Fitting, Hyd, E45, Jm06/Om06, 2-15, 2-39
Fitting, Hyd, E45, Jm08/Om08, 2-113, 3-13
Fitting, Hyd, E45, Jm08/Om10, 2-93, 2-107
Fitting, Hyd, E45, Jm10/Om12, 2-39
Fitting, Hyd, E45, Jm12/Om16, 2-111
Fitting, Hyd, E45, Jm20/Om20, 2-111
Fitting, Hyd, E90, Jf04/Jm04, 2-61
Fitting, Hyd, E90, Jf06/Jm06, Long, 3-13
Fitting, Hyd, E90, Jf08/Jm08, 2-109
Fitting, Hyd, E90, Jm04/Om04, 2-57, 2-67, 2-75, 2-79, 2-113, 3-9
Fitting, Hyd, E90, Jm04/Om06, 2-49, 3-57
Fitting, Hyd, E90, Jm04/Pm02, 2-111
Fitting, Hyd, E90, Jm06/Om04, 2-63, 2-93, 2-95, 3-9
Fitting, Hyd, E90, Jm06/Om06, 2-113
Fitting, Hyd, E90, Jm06/Om06, Long, 2-113
Fitting, Hyd, E90, Jm06/Om08, 2-107
Fitting, Hyd, E90, Jm08/Om08, 2-59, 2-61, 2-95, 2-107, 3-13
Fitting, Hyd, E90, Jm08/Om08, Long, 2-113
Fitting, Hyd, E90, Jm08/Om10, 3-7
Fitting, Hyd, E90, Jm08/Om16 Metric, 2-21
Fitting, Hyd, E90, Jm08/Pm08, 2-21
Fitting, Hyd, E90, Jm10/Om12, 2-107
Fitting, Hyd, E90, Jm12/Om12, 2-109
Fitting, Hyd, E90, Jm12/Om12, L, 2-109
Fitting, Hyd, E90, Om04/Qm04, 2-113, 3-13
Fitting, Hyd, Plug, Jm08, 2-21
Fitting, Hyd, Plug, Om04, 2-113, 4-13
Fitting, Hyd, Plug, Om06, 2-111, 2-113
Fitting, Hyd, Plug, Om08, 4-7
Fitting, Hyd, Plug, Om10, 2-111
Fitting, Hyd, Rst, Jf04/Jm04, .028, 2-49
Fitting, Hyd, Rst, Spcl, 2-75, 2-79
Fitting, Hyd, Str, Jf06/Jm04, 2-109
Fitting, Hyd, Str, Jm04/Om04, 2-59, 2-61, 2-113
Fitting, Hyd, Str, Jm04/Om06, 3-13, 3-57
Fitting, Hyd, Str, Jm06/Om06, 2-15, 2-111, 3-13, 3-15
Fitting, Hyd, Str, Jm06/Om06, Long, 2-113, 3-15
Fitting, Hyd, Str, Jm08/Om06, 2-15
Fitting, Hyd, Str, Jm08/Om08, 2-95, 2-107, 2-111, 3-13
Fitting, Hyd, Str, Jm08/Om10, 2-93
Fitting, Hyd, Str, Jm08/Om12, 3-57
Fitting, Hyd, Str, Jm08/Pm08, 2-21
Fitting, Hyd, Str, Jm10/Om10, Long, 2-113
Fitting, Hyd, Str, Jm10/Om12, 2-39
Fitting, Hyd, Str, Jm20/Om16, 2-107
Fitting, Hyd, Str, Metric, Om10/If05, 2-25
Fitting, Hyd, Str, Om04/Qm04, 2-113, 3-13
Fitting, Hyd, Str, Pf02/Pm04, 2-23, 2-25
Fitting, Hyd, Str, Pm02/Pm02, 2-25
Fitting, Hyd, Str, Spcl, 2-21
Fitting, Hyd, Tee, Jf06/Jm06/Jm06, Run, 2-95
Fitting, Hyd, Tee, Jf08/Jm08/Jm08, Br, 2-93
Fitting, Hyd, Tee, Jm08/Jm08/Om08, Br, 2-113
Fitting, Hyd, Tee, Jm08/Jm08/Om08, Run, 3-57
Fitting, Nyl, Qdc, E90, Bm08/ Qm10, 3-17, 3-27
Fitting, NylY, Qdc, E90, Bm06/ Qm10, 3-17
Fitting, Pipe, Plug [Ku], 5-3, 5-5, 5-7, 5-29
Fitting, Pipe, Plug, Pm02, Sq Head, 2-23
Fitting, Pipe, Water [Ku], 5-8
Fitting, Plstc, Cap, Pf12 Hex, 2-87
Fitting, Plstc, E90, Bm05/Bm05, Nyl, 3-27
Fitting, Plstc, E90, Bm06/Bm06, 3-5, 4-19
Fitting, Plstc, E90, Bm06/Pm04, Nyl, 3-17
Fitting, Plstc, E90, Bm06/Pm12, Nyl, 3-3
Fitting, Plstc, E90, Bm08/Bm08, 3-27
Fitting, Plstc, E90, Bm08/Pf08s, Swivel, 3-47
Fitting, Plstc, E90, Bm08/Pm04, 3-27
Fitting, Plstc, E90, Bm08/Pm06, 3-27, 3-47
Fitting, Plstc, E90, Bm08/Pm12, Nyl, 3-17, 3-27
Fitting, Plstc, E90, Bm10/Pm08, 3-3
Fitting, Plstc, E90, Bm10/Pm12, 3-3, 3-17, 3-27
Fitting, Plstc, E90, Bm12/Pf08, 3-55
Fitting, Plstc, E90, Bm12/Pf12, 3-5
Fitting, Plstc, E90, Bm12/Pm08, 3-3
Fitting, Plstc, E90, Bm12/Pm12, 3-3, 3-5
Fitting, Plstc, E90, Pf Bm [Es Pump], 4-3
Fitting, Plstc, E90, Pf12/Pm12, 2-82
Fitting, Plstc, Pf12/Pf12, Bh, 2-82, 3-3, 3-55
Fitting, Plstc, Pipe, Cap, Pf04, 3-17, 4-19
Fitting, Plstc, Str, Bm04, Cplg, Fem, 3-17
Fitting, Plstc, Str, Bm04/Bm08, 3-27
Fitting, Plstc, Str, Bm04/Pm04, 3-27
Fitting, Plstc, Str, Bm05/Pm04, 3-27
Fitting, Plstc, Str, Bm06/Bm08, 3-31
Fitting, Plstc, Str, Bm06/Pm04, 3-17, 4-19
Fitting, Plstc, Str, Bm06/Pm06, 3-17
Fitting, Plstc, Str, Bm08/Pf08s, Swivel, 3-47
Fitting, Plstc, Str, Bm10/Bm10, 2-87
Fitting, Plstc, Str, Bm10/Bm12, 2-87
Fitting, Plstc, Str, Bm10/Pm12, 2-87
Fitting, Plstc, Str, Bm12/Pm08, Nyl, 3-3, 4-3
Fitting, Plstc, Str, Bm12/Pm12, 2-87
Fitting, Plstc, Str, Pf06/Qm10, Pvc, 3-27
Fitting, Plstc, Str, Pm02/Pm05, 4-19
Fitting, Plstc, Str, Pm04, Cplg, Mal, 3-17
Fitting, Plstc, Str, Pm04/Pm06, Nyl, 3-27
Fitting, Plstc, Str, Pm08/Pm08, 3-3
Fitting, Plstc, Str, Pm12/Pm12 1.60l, 3-3, 3-17, 3-27
Fitting, Plstc, Tee, Bm04/Bm04/Bm04, 3-17
Fitting, Plstc, Tee, Bm06/Pm02/Bm06, 4-19
Fitting, Plstc, Tee, Bm08/Bm10/Bm10, Br, 3-19, 3-21, 3-29, 3-31, 3-47
Fitting, Plstc, Tee, Bm10/Bm10/Bm10, Nyl, 3-11
Fitting, Plstc, Tee, Pf08/Pf08/Pf08, 3-3
Fitting, Plstc, Tee, Pf12/Pf12/Pf12, 3-3, 3-17, 3-27
Fitting, Plstc, Y, Bm08/Bm08/Bm08, Nyl, 3-17, 3-21, 3-31
Fitting, Plug [Ku], 5-3
Fitting, Plug, Org, #6, Valve [Cec], 4-11, 4-13
Fitting, Ss, Qdc, Fem, 3-53
Fitting, Ss, Qdc, Mal, 3-53, 3-55
Fitting, Tee, Pf12/Pf12/Pf12, Brs, 3-55
Flange Mounting, 4-8
Flange, Motor, Hyd [En], 4-9
Flange, Pump, Water [Ku], 5-8
Flange, Sleeve [Ku], 5-25
Flange, Water [Ku], 5-29
Flap, Battery, 2-11
Flapper, Valve, Pump, Water, 4-3
Flywheel, 5-18
Follower, Screw, Pump, Injection[Ku], 5-23, 5-25
Frame Wldt, Lift, Hppr, 2-49
Frame Wldt, Main, Replmt [M20 & T20], 2-5
Frame Wldt, Sqge, Lh, 2-77
Frame Wldt, Sqge, Rh, 2-73
Frame, End, 5-19
Frame, End, Drive, 5-19
Fuelline, .31d 04.0l 05if/05if, Stl, 2-25
Fuse, 015a, 2-37

G

Gasket, 5-3, 5-29
 Gasket [Ku], 5-11, 5-20, 5-26
 Gasket Set, 5-4
 Gasket Set, Upper, 5-5
 Gasket, .25 1.88d 1.0id [Poron], 4-3
 Gasket, 2.00, 07.87w 10.24l, Adh, 2-93
 Gasket, 3.23id 3.63od .16th, Ure, 2-89
 Gasket, 4.05id 5.29od .19 [Buna], 2-89, 4-3
 Gasket, Bearing, Case [Ku], 5-9
 Gasket, Case, Gear [Ku], 5-7, 5-9
 Gasket, Cover, Fuse Block, 2-37
 Gasket, Cover, Gov [Ku], 5-28
 Gasket, Cover, Head, Cyl [Ku], 5-10
 Gasket, Cover, Recvy Tank, 2-89
 Gasket, Cover, Spd [Ku], 5-27
 Gasket, F/ Bolt [Ku], 5-10, 5-20, 5-26, 5-27
 Gasket, F/ Screw [Ku], 5-23, 5-25
 Gasket, Ftg, Banjo [Ku], 5-23, 5-25
 Gasket, Head, Cyl [Ku], 5-5
 Gasket, Hppr, Transition, 2-95
 Gasket, Hsg, Thermostat [Ku], 5-29
 Gasket, Manifold, Exhaust, 5-11
 Gasket, Manifold, Intake [Ku], 5-11
 Gasket, Pan, Oil, 5-4
 Gasket, Pump, Fuel [Ku], 5-23
 Gasket, Pump, Water [Ku], 5-8
 Gasket, Sender, Fuel, 2-23
 Gasket, Solenoid, Throttle [Ku], 2-21, 5-23
 Gasket, Sqge, 1-1, 2-69
 Gasket, Valve, Injector [Ku], 5-25
 Gasspring, 180lb, 03.0strk, 2-13
 Gauge, Oil [Ku], 5-4
 Gauge, Sensing, Level, 2-111
 Gear, 5-19
 Gear, Camshaft [Ku], 5-15
 Gear, Cshft [Ku], 5-17
 Gear, Govnr [Ku], 5-13
 Gear, Idler, Cam [Ku], 5-15
 Gear, Injection, Pump [Ku], 5-13
 Gear, Pump, Oil [Ku], 5-17
 Gear, Ring [Ku], 5-18
 Gear, Steering, 4-23
 Gearbox Kit, Steering, Afmkt[M20/30/T20], 4-23
 Gearbox Kit, Steering, Afmkt[M20/30/T20] (See Breakdowns), 2-15
 Geroler, Motor, Hyd, 4-5
 Gerotor Set, 4-8
 Gerotor Set [Cl], 4-9
 Glowplug [Ku], 5-20
 Grill Wldt, Front, 2-17
 Grill, Eng, 2-19
 Grill, Side, 2-13
 Grip, Handle, 2-85, 2-91, 3-65
 Grommet, Blind, 4-19
 Grommet, Pye, 0.37id, F/1.5h, .13 Matl, 3-5
 Grommet, Rbr, 0.38id, F/0.5H, .12 Matl, 3-43
 Grommet, Rbr, 0.50id, F/0.8h, .12 Matl, 3-38, 3-39

Grommet, Rbr, 0.62id, F/0.9h, .06 Matl, 3-25
 Grommet, Rbr, 0.62id, F/0.9h, .12 Matl, 3-5
 Grommet, Rbr, 1.00id, F/1.4h, .12 Matl, 3-57
 Grommet, Rbr, 1.50id, F/1.8h, .19 Matl, 2-15, 2-55
 Grommet, Rbr, 2.13id, F/2.5h, .12 Matl, 3-17, 3-27, 3-55
 Guard Kit, Sqge, Ci [M20], 3-51
 Guard Wldt, Brush, Side, 3-11
 Guard Wldt, Sqge, 3-51, 3-63
 Guard Wldt, Sqge [M20/T20/M30], 3-51
 Guard Wldt, Sqge, Tie-Down, Side, Lh, 3-61
 Guard Wldt, Sqge, Tie-Down, Side, Rh, 3-61
 Guard Wldt, Top, Ohg, 3-41
 Guide, Valve, Exhaust, 5-5
 Guide, Valve, Inlet, 5-5

H

Handle Wldt, Drain, 2-91
 Handle, Gun, Trigger, 3-53
 Handle, Valve, Pinch, Lh, 2-91
 Handle, Valve, Pinch, Rh, 2-85
 Harness, Ele [Ech2o, Interface], 3-34
 Harness, Ele [Press. Wash], 3-53
 Harness, Ele [Telem], 3-43
 Harness, Ele, Adaptor [2f, Dt To Faston], 2-87
 Harness, Eng, Dsl [M20/T20/M30], 2-129
 Harness, Headlight [M20 And T20], 2-130
 Harness, Hppr, Cover [M20], 2-132
 Harness, Hppr, Ele [M20/M30], 2-131
 Harness, Jumper [Deutsch To Mpack], 4-11, 4-13
 Harness, Main [M30/M20], 2-127
 Harness, Spray, Nozzle, 3-47
 Harness, Warning / Backup [M20 & T20], 3-35, 3-36, 3-37
 Harness, Warning / Ohg [M20], 3-38, 3-39
 Harness, Wire [Ec-H2o], 3-34
 Harness, Wire [FaST Gen 2, M20/T20], 3-23
 Head, Cylinder [Ku], 5-5
 Headlight, 12Vdc, Oval, Led, 2-5
 Hinge Wldt, Shrd, Lh, 2-19
 Hinge Wldt, Shrd, Rh, 2-13
 Hinge, .38pin .11 3.5w 06.0l 6/0.38sl, 2-17
 Hinge, .50pin .19 4.0w 06.0l 3/0.44sl, 2-75, 2-79
 Holder, Gear [Ku], 5-13
 Holder, Govnr [Ku], 5-13
 Holder, Valve, Inj [Ku], 5-25
 Hopper, Debris, Rm-Hg, Trimmed, 2-51
 Horn, 12vdc, DbA [Wolo], 2-37
 Hose Assy, Sqge, 2-89
 Hose Assy, W/1cuff, 1.0d 09l 1.0/, 2-51
 Hose Assy, W/2cuff, 1.5d 090l 1.5/1.5, 3-45

Hose, 0050, 04, lf05str / lm05str, 10.0, 2-25
 Hose, 0300, 08, Jf08str / None, 19.0, 2-21
 Hose, Afmkt, Coolant Recvy, 08ft, 2-35
 Hose, Afmkt, Pvc, Brd 0.38id 02ft, 3-5
 Hose, Afmkt, Pvc, Brd 0.62id 08ft, 3-11
 Hose, Afmkt, Pvc, Brd 0.62id, 01Ft, Clr, 3-5
 Hose, Afmkt, Pvc, Brd 0.75id 01ft, 3-5
 Hose, Afmkt, Pvc, Brd 0.75id 08ft, 3-3
 Hose, Afmkt, PVC, Brd, 0.31id, 03Ft, Clr, 3-27, 4-19
 Hose, Afmkt, Pvc, Brd, 0.38id, 01ft, Clr, 4-19
 Hose, Afmkt, Pvc, Brd, 0.38id, 02ft, Clr, 3-31, 4-19
 Hose, Afmkt, Pvc, Brd, 0.38id, 03ft, Clr, 3-17
 Hose, Afmkt, Pvc, Brd, 0.50id, 01ft, Clr, 3-17, 3-27
 Hose, Afmkt, Pvc, Brd, 0.50id, 08ft, Clr, 3-19, 3-21, 3-31
 Hose, Afmkt, Pvc, Brd, 0.50id, 12ft, Clr, 3-27, 3-29
 Hose, Afmkt, Pvc, Brd, 0.62id, 01ft, Clr, 2-87
 Hose, Afmkt, Pvc, Brd, 0.62id, 03ft, Clr, 3-21, 3-31
 Hose, Afmkt, Pvc, Brd, 0.62id, 08ft, Clr, 2-87, 3-19, 3-29
 Hose, Afmkt, Pvc, Brd, 0.75id, 08ft, Clr, 3-47
 Hose, Afmkt, Pvc, Clr 0.38id 03ft, 2-25
 Hose, Afmkt, Pvc, Clr, 0.25id, 02ft, 3-17
 Hose, Afmkt, Pvc, Clr, 0.25id, 03ft, 3-27
 Hose, Afmkt, Pvc, Clr, 0.38id, 01ft, 3-17
 Hose, Afmkt, Pvc, Clr, 0.38id, 03ft, 3-17
 Hose, Afmkt, Pvc, Clr, 0.50id, 08ft, 3-21
 Hose, Afmkt, Pvc, Wir, 0.50id, 03ft, Clr, 3-17
 Hose, Afmkt, Pvc, Wir, 0.75id, 08ft, Clr, 3-55
 Hose, Afmkt, Vacuum, 0.16id, 01ft, 3-5
 Hose, Afmkt, Vacuum, 0.16id, 03ft, 2-55
 Hose, Drain, 3.00id X 48.0l, 2-85, 2-91
 Hose, Flex, Vacuum, 3.5d 32.0l, 2-95
 Hose, Fuel [Ku], 5-20
 Hose, Fuel, 0.18id 29.0l, 2-25
 Hose, Fuel, 0.31id 22.0l, 2-25
 Hose, Fuel, 0.50id 21.0l, 2-23
 Hose, Heater, E90, 0.62id, 24.0 4.0, 3-21, 3-31
 Hose, Hyd, Med04, Jf04e90/Jf04str, 016.0, 2-103
 Hose, Hyd, Med04, Jf04e90/Jf04str, 072.0, 3-57
 Hose, Hyd, Med06, Jf06e90/Jf06str, 038.0, 3-15
 Hose, Hyd, Med06, Jf06str/Jf06str, 022.0, 2-101
 Hose, Hyd, Med06, Jf06Str/Jf06Str, 042.0, 2-101

CROSS REFERENCE

- Hose, Hyd, Med08, Jf08e90/Jf08str, 032.0, 2-21
Hose, Hyd, Med08, Jf08str /Jf08e45, 21.0, 2-101
Hose, Hyd, Med10, Jf10Str/Jf10Str, 036.0, 2-101
Hose, Hyd, Med12, Jf12e90/Jf12str, 029.0, 2-101
Hose, Hyd, Med12, Jf12str/Jf12str, 060.0, 2-101
Hose, Hyd, Spcl, Jf04str/Jf04str, 124.0, 2-105
Hose, Hyd, Spcl, Jf04str/Jf04str, 132.0, 2-103
Hose, Hyd, Spcl, Jf04str/Jf04str, 138.0, 2-103
Hose, Hyd, Spcl, Jf04str/Jf06str, 128.0, 2-105
Hose, Hyd, Spcl, Jf10e90/Jf10str, 63.0, 2-99
Hose, Hyd, Spcl, Jf10str/Jf10str, 56.5, 2-99
Hose, Hyd, Suc20, Jf20e90/Jf20str, 032.0, 2-101
Hose, Hyd, Tc 06, Jf06str /Jf06e45, 56.0, 2-103
Hose, Hyd, Tc04, Jf04e45/Qm06, 026.0, 2-105
Hose, Hyd, Tc04, Jf04e90/Jf04str, 020.0, 2-103
Hose, Hyd, Tc04, Jf04str /Jf04str, 20.0, 3-15
Hose, Hyd, Tc04, Jf04str /Jf04str, 39.0, 3-15
Hose, Hyd, Tc04, Jf04str/Jf04str, 096.0, 2-103
Hose, Hyd, Tc06, Jf04str/Jf04str, 033.0, 3-15
Hose, Hyd, Tc06, Jf06e45/Jf06str, 110.0, 2-99
Hose, Hyd, Tc06, Jf06e45/Jf06str, 45.0, 2-99
Hose, Hyd, Tc06, Jf06str /Jf06str, 23.0, 3-15
Hose, Hyd, Tc06, Jf06str/Jf06str, 054.0, 2-103
Hose, Hyd, Tc06, Jf06str/Jf06str, 086.0, 3-15
Hose, Hyd, Tc08, Jf08E45/Jf08Str, 026.0, 2-101
Hose, Hyd, Tc08, Jf08e90/Jf08str, 018.0, 2-103
Hose, Hyd, Tc08, Jf08e90/Jf08str, 046.0, 2-101
Hose, Hyd, Tc08, Jf08e90/Jf08str, 13.0, 2-103
Hose, Hyd, Tc08, Jf08str/Jf08e90, 012.0, 3-13
Hose, Hyd, Tc08, Jf08str/Jf08e90, 031.0, 2-101
Hose, Hyd, Tc08, Jf08Str/Jf08Str, 021.0, 2-101
Hose, Hyd, Tc08, Jf08str/Jf08str, 031.0, 2-101
Hose, Hyd, Tc08, Jf08str/Jf08str, 034.0, 3-15, 3-57
Hose, Hyd, Tc08, Jf08str/Jf08str, 039.0, 3-57
Hose, Hyd, Tc08, Jf08str/Jf08str, 052.0, 3-57
Hose, Hyd, Tc08, Jf08str/Jf08str, 084.0, 3-15
Hose, Hyd, Tc08, Jf08str/Jf08str, 48.0, 2-103
Hose, Hyd, Tc08, Jfoee90/Jf08str, 72, 3-57
Hose, Hyd, Tc08, Jfoee90/Jf08str, 96, 2-99
Hose, Hyd, Tco4, Jf04Str/Qm06, 028.0, 2-105
Hose, Hyd, Med04, Jf04str/Jf04str, 066.0, 2-99
Hose, Hyd, Tc 04, Jf04str /Jf04e45 , 35.0, 2-105
Hose, Intake, Mold, 1.75id 1.75id Dsl, 2-27
Hose, Intake, Mold, 2.00id [Epdm], 2-27
Hose, Pvc, Brd, 0.62id 0.88od 09.00l, 3-3
Hose, Pvc, Clr, 0.38id 0.56od 48.00l, 3-3, 3-5
Hose, Pvc, Clr, 0.38id 0.56od 022.0l, 2-35
Hose, Pvc, Clr, 0.50id 0.69od 26.00l, 3-11
Hose, Pvc, Clr, 0.50id 0.69od 30.00l, 2-37
Hose, Radiator, Lower, Dsl, 2-35
Hose, Radiator, Upper, Dsl, 2-35
Hose, Rbr, 25ft, 3-53
Hose, Rbr, E90, 1.25id 1.25id 04.2 03.1, 2-35
Hose, Vacuum, 3.00id X 019.0l, 1cuff, 2-69
Hose, Water [Ku], 5-29
Hose, Water, Coil, 3-47
Housing, 4-7
Housing Assy, Nozzle, 5-20, 5-21
Housing Assy, Vacfan, Swpr, 2-95
Housing Kit, Pump, Water, 4-3
Housing Wldt, Brush, Drive, 2-59, 2-61
Housing, Bottom, 4-19
Housing, Brg, Motor, Hyd, 4-5
Housing, Cplg, Qf / Pm08, 3-27
Housing, Fan, Radial Discharge, Sq Inlet, 2-93
Housing, Flywheel, Mach [1505, Kubo], 2-21
Housing, Gear, Bottom, 4-23
Housing, Gear, Top, 4-23
Housing, Motor, Hyd [En], 4-9
Housing, Sppt, Front Wheel, 2-39
Housing, Thermostat [Ku], 5-29
Housing, Valve, 4-5
Housingl, 4-8
Hsg & Switch Kit, Pump, Repair,, 4-17
Hub Assy, Wheel, 5 Bolt 4.50bc Taper B, 2-39
Hub, Drive, Brush, Disk, 1.00b [6t], 3-7
- I**
- Idler Door Kit, Replmt [M20/T20/M30/T12], 2-59, 2-61
Idling, Apparatus [Ku], 5-26
Impeller, 11.81d X 0.500b, 2-93
Impeller, 9.00d X 1.40w X 0.376b, 2-95
Impeller, Pump, Water [Ku], 5-8
Indicator, Press, 60psi, 2-111
Indicator, Timing [Ku], 5-18
Insert, :Lrg [Venturi, FaST III], 4-24
Insert, Cap, Mount, Es Pump, 4-3
Insert, Cplg, Qm, Bm08, 3-27
Insert, Plt, Cam, Pump, Hyd, 4-7
Instr, Maint, Wall Chart [M20], 3-66
Instr, Motor, Hyd, Repair [En], 4-9
Instr, Repair, Motor, Hyd, Gear, 4-5
Instr, Repair, Pump, 4-7
Instr, Valve, Steering, Repair, 4-15
Instr. Repair Info, Motor, 4-8
Insulation, Flame-Retardant, 0.5, 2-23
Insulation, Flame-Retardant, 0.75-0.88, 2-9, 2-13
Insulation, Flame-Retardant, 1.0, 2-13
Insulation, Thermal, Hydraulic Blanket, 2-111
Isolator, Rbr, 2-31
Isolator, Vib, .50d, 2-21
Isolator, Vib, Bshg, 1.1d 0.6l .4b 0.78h, 2-33, 2-93, 2-95
- K**
- Key [Ku], 5-15, 5-17
Key-Wdruff 0.25 1.00, 4-8
Key, Ignition [Set Of 2], 1-1, 2-11
Key, Motor, Hyd, 4-5
Key, Shaft, Pump, Hyd, 4-7
Key, Sq, 0.12 X 0.12, 0.50l, 2-29
Key, Sq, 0.19 X 0.19, 0.50l, 4-23
Key, Sq, 0.25 X 0.25, 1.25l, 2-59, 2-61
Key, Woodruff [Ku], 5-13
Key, Woodruff, 0.25 1.00 [Asa#0808], 4-9
Keychain, Rectangle, Parts & Service, 2-11
Kit, Bellows, Pump, Detgt, 4-16
Kit, Brush, Motor, Ele, 4-3
Kit, Valve, Check, Pump, Water, 4-3
Knob Assy, Star, 1.12d 3ear M10, Yellow, 2-71
Knob, Star, 2.75d 4ear, M8x1.25 Fem, 2-69
Knob, Tee, 0.38-16, 2.5 X 1.0 1.1l, Plstc, 2-15
Knobs, Adjmt, Weight, 4-21
- L**
- Label [User, Attention, ec-H2O], 2-134
Label Set, Brush Indicator & Removal, 2-134
Label Set, Hi Temp, 2-134
Label Set, Info/Hzrd, Swpr / Scrbr, 2-134

Label Set, Info/Hzrd, Swpr / Scrbr, Tj (Japan Only), 2-134
 Label, Instrument Panel, Rh, Dsl [Drago], 2-11
 Label, Logo, 05.75L 2Color [ES], 2-134
 Label, Logo, 07.95L 2Color [FaST], 2-134
 Label, Logo, 12.3L 4Color [ec-H2O], 2-134
 Label, Logo, 16.9L 4Color [ec-H2O], 2-134
 Label, Model, 2Color [M20], 2-134
 Label, Opertnl, Telem [Fcc/lc], 3-43
 Label, Switch, Rocker [Drago], 2-11
 Latch, 2-13, 2-55, 2-81, 2-82, 3-65
 Latch Kit, Cover, Soltn, Replmt[M20/T20], 2-81, 2-82
 Latch, Cmpr, Yel Grip, 2-59, 2-61
 Latch, Door, Yellow, 2-19, 2-73, 2-77
 Latch, Hook, Yellow, 2-75, 2-79
 Latch, Yellow, 2-53, 3-49, 3-59
 Lever Assy, Fork [KU], 5-28
 Lever, Cntrl, Spd [Ku], 5-27
 Lever, Fork [Ku], 5-28
 Lever, Fork, Shaft [Ku], 5-28
 Lever, Latch, 3-65
 Lever, Plate, Cntrl [Ku], 5-27
 Lever, Stop [Ku], 5-27
 Light Kit, Flsh, Ci [M20 And T20], 3-36
 Light Kit, Flsh, W/Ohg, Ci[M20 And T20], 3-38
 Light Kit, Strobe, Ci [M20 And T20], 3-37
 Light Kit, Strobe, W/Ohg, Ci [M20 And T20], 3-39
 Light, Indicator, Glowplug, 2-11
 Light, Strobe, Amb, 12-48vdc [Led], 3-36, 3-37, 3-38, 3-39
 Light, Tail, 12vdc, 2-55
 Link Assy, Rod-End, M12, 2-67
 Lock, Secondary, 2cav, Mp280 Sealed, 4-17

M

Magnet, Pickup, 2-21
 Maint Kit, 400hr, Dsl [M20/T20], 1-1
 Manifold Assy, Inlet, 5-11
 Manifold, Bar, Spray, 37.5inch, 2-87
 Manifold, Exhaust [Ku], 5-11
 Manifold, Water, 3-27
 Manual, Oprtr, [M20 Dsl, En Na Sn 8000-], 3-66
 Manual, Oprtr, [M20 Dsl, Es Na Sn 8000-], 3-66
 Manual, Oprtr, [M20 Dsl, Fr Na Sn 8000-], 3-66
 Manual, Oprtr, [M20 Dsl, Jp, Sn 8000-], 3-66
 Manual, Oprtr, [M20 Dsl, Ptb, Sn 8000-], 3-66
 Manual, Parts, [M20 Dsl, En Na Sn 8000-], 3-66
 Manual, Service, [M20/M30 G/D, Sn 8000-], 3-66
 Mat, Floor, 2-7

Media, Cd-Rom, Training [Ec-H2o Tennant], 3-66
 Mirror, Convex, 0.50D, 3-41
 Module Kit, Replmt [Ec-H20], 4-19
 Module Kit, Replmt [Ec-H20] (See Breakdowns), 3-25
 Molding, Afmkt, Trim, Pvc, .08 .11, 01Ft, 3-25
 Molding, Afmkt, Trim, Pvc, .08 .11, 1ft, 2-7
 Molding, Trim, Pvc, .18-.31 07.5l, 2-55
 Motor Kit, Pump, Repair,, 4-17
 Motor Kit, Replmt [M20/T20/M30], 2-93
 Motor, Ele 12Vdc, Shakr, 2-53
 Motor, Ele, 12vdc, Pump, Water, 4-3
 Motor, Ele, Gear, 14vdc, Pump, Detgt, 4-16
 Motor, Hyd Gear In 4.5 B 1500, 4-8
 Motor, Hyd, Gear, [Int], 19.0 X 3000, 4-5
 Motor, Hyd, Gear, Ext 0.17 Lh 3000, 2-93, 2-95
 Motor, Hyd, Gear, Int 04.5 Bi-Dir 1500, 2-59, 2-61
 Motor, Hyd, Gear, Int 08.9 Bi-Dir 2500, 3-7, 4-9
 Motor, Hyd, Gear, Int 19.0 Bi-Dir 3000 (See Breakdowns), 2-39
 Motor, Starter, 12vdc [Kubota] (See Engine Breakdown), 2-21
 Mount Wldt, Valve, Pinch, Lh, 2-91
 Mount Wldt, Valve, Pinch, Rh, 2-85
 Mount, Cable Tie, 3-43
 Muffler, Exhaust, 2-31
 Muffler, Vacfan, 4.0id, 2-95

N

Nameplate, Tennant, Domed, 10 Inch, 2-17
 Nipple, Hose, 3-47
 Nozzle, 3-47
 Nozzle [Ku], 5-21
 Nozzle Assy, Tool, Wand, 14.0 Inch, 3-45
 Nozzle Kit, Spray, Ci, 3-47
 Nozzle, Spray [Pressure Washer], 3-53
 Nozzle, Spray, Gun, 3-47
 Nozzle, Spring [Ku], 5-21
 Nut, 5-11, 5-19
 Nut [Ku], 5-21, 5-23
 Nut-Hxslot .75-16 Pltd, 4-8
 Nut, Cap [Ku], 5-26
 Nut, Cap, Cam [Ku], 5-13
 Nut, Coil, F/#8, 4-11, 4-13
 Nut, Coil, Nyl Patch, 4-11, 4-13
 Nut, Flange [Ku], 5-20
 Nut, Ftg, Hyd, 0.56-18, 2-109
 Nut, Hex [Ku], 5-7, 5-12, 5-19, 5-23, 5-26, 5-27
 Nut, Hex, Cap, 5-10
 Nut, Hex, Fing, M5 X 0.8, 2-49
 Nut, Hex, Fing, M6 X 1.00, 2-33, 3-43
 Nut, Hex, Fing, M8 X 1.25, 2-33, 2-73, 2-77
 Nut, Hex, Jam, .31-24, 2-43

Nut, Hex, Jam, .38-24, 2-21
 Nut, Hex, Jam, .50-13, 3-65
 Nut, Hex, Jam, .50-20, 2-63, 3-9
 Nut, Hex, Jam, .50-20, Lh, 2-63
 Nut, Hex, Jam, 1.12-12, 2-15
 Nut, Hex, Lock, .25-20, NI, 2-23, 2-95
 Nut, Hex, Lock, .25-20, NI, Ss, 2-45, 2-47
 Nut, Hex, Lock, .31-18, NI, 2-13
 Nut, Hex, Lock, .31-18, NI, Thin, 2-13
 Nut, Hex, Lock, .31-24, NI, Thin, 2-95
 Nut, Hex, Lock, .38-16, NI, Ss, 2-29, 3-9
 Nut, Hex, Lock, .38-16, NI, Thin, 2-47, 2-95
 Nut, Hex, Lock, .50-13, NI, Thin, 2-63
 Nut, Hex, Lock, .50-20, NI, Thin, 2-63
 Nut, Hex, Lock, #08-32, NI, 2-11
 Nut, Hex, Lock, M10 X 1.5, NI, 2-21, 2-33, 2-47, 2-95, 2-109, 3-41, 3-51, 3-63
 Nut, Hex, Lock, M10 X 1.5, NI, Ss, 2-51, 2-57, 2-67, 2-71
 Nut, Hex, Lock, M12 X 1.75, NI, Ss, 2-63, 2-67
 Nut, Hex, Lock, M12 X 1.75, NI, 2-21, 2-41
 Nut, Hex, Lock, M4 X 0.7, NI, 2-13, 2-19
 Nut, Hex, Lock, M4 X 0.7, NI, Ss, 2-19, 2-47, 2-73, 2-77, 3-3
 Nut, Hex, Lock, M4 X 0.70, NI, Ss, 3-25
 Nut, Hex, Lock, M5 X 0.8, NI, 2-13, 2-37
 Nut, Hex, Lock, M5 X 0.8, NI, Ss, 2-87, 3-11
 Nut, Hex, Lock, M5 X 0.80, NI, 2-25, 3-25, 3-43, 3-47, 3-55
 Nut, Hex, Lock, M5 X 0.80, NI, Ss, 2-43, 3-21, 3-31, 3-35, 3-36, 3-37, 3-38, 3-39, 3-49
 Nut, Hex, Lock, M6 X 1.0, NI, 2-13, 2-17, 2-43
 Nut, Hex, Lock, M6 X 1.0, Ss, NI, 2-57, 2-65, 2-67, 2-87, 2-89, 2-91
 Nut, Hex, Lock, M6 X 1.00, NI, 2-7, 2-15, 2-25, 2-27, 2-29, 2-33, 2-47, 3-65
 Nut, Hex, Lock, M6 X 1.00, NI, Ss, 3-57
 Nut, Hex, Lock, M6 X 1.00, Ss, NI, 2-89
 Nut, Hex, Lock, M8 X 1.25, NI, 2-5, 2-19, 2-21, 2-23, 2-29, 2-35, 2-37, 2-43, 2-47, 2-75, 2-79, 3-13
 Nut, Hex, Lock, M8 X 1.25, NI, Ss, 2-27, 2-31, 2-47, 2-51, 2-57, 2-63, 2-65, 2-67, 2-69, 2-71, 2-73, 2-77, 2-81, 2-85, 2-91, 2-93, 3-13
 Nut, Hex, Slt, .75-16, 2-41, 2-61
 Nut, Hex, Slt, .75-18, 2-59
 Nut, Hex, Slt, 1.12-18, 2-39
 Nut, Hex, Slt, M20 X 2.5, 8, 2-59, 2-61
 Nut, Hex, Std, .25-28, 2-43, 2-45
 Nut, Hex, Std, .25-28, Lh, 2-43
 Nut, Hex, Std, .31-18, 3-41
 Nut, Hex, Std, M10 X 1.50, 2-53
 Nut, Hex, Std, M12 X 1.75, Ss, 2-75, 2-79, 2-93
 Nut, Hex, Std, M16 X 2.0, 2-17
 Nut, Hex, Std, M3 X 0.5, 8, 2-53
 Nut, Hex, Std, M5 X 0.8, 8, 2-47

CROSS REFERENCE

Nut, Hex, Std, M6 X 1.00, 8, 3-25
Nut, Hex, Std, M8 X 1.25, 2-7
Nut, Hex, Std, M8 X 1.25, Brs, 2-29
Nut, Hex, Std, M8 X 1.25, Ss, 2-47, 2-75,
2-79
Nut, Lock [Ku], 5-26
Nut, Motor, Hyd, 4-5
Nut, Nozzle [Ku], 5-21
Nut, Solenoid, 4-11, 4-13
Nut, T, M10 X 1.50 X 15.80d X 13.0l, 2-73,
2-77
Nut, Wheel, .50-20 X 60 Angle, 2-39

O

O-Ring [Ku], 5-4, 5-27
Ohg Kit, Ci [M20 And T20], 3-41
Oil, Hyd [El, Iso 100, 01gal], 1-1
Oil, Hyd [El, Iso 100, 05gal], 1-1
Oil, Hyd [El, Iso 32, 01gal], 1-1
Oil, Hyd [El, Iso 32, 05gal], 1-1
Oil, Hyd [El, Iso 68, 01gal], 1-1
Oil, Hyd [El, Iso 68, 05gal], 1-1

P

Pad, Armrest, 4-21
Pad, Pedal, Brake, 3.96l 2.36w 0.75, 2-43
Pad, Tank, Hyd [W/Psa], 2-111
Paint, Airdry, Blk, 12oz, 1-1
Paint, Airdry, Gray, 12oz [Enamel], 1-1
Paint, Airdry, Iron Gray, 12oz [Pwdr Coat],
1-1
Paint, Airdry, Off-White, 12oz, 1-1
Paint, Airdry, Teal, 12oz, Solid, 1-1
Pan, Oil, Dsl, 5-4
Panel Assy, Instmt, W/ Label, Afmkt, 2-11
Panel Kit, Pod, Afmkt [Pro, M20/M30/T20]
(Pro-Panel Only), 2-15
Panel Kit, Pod, Afmkt [Std, M20/M30],
2-15
Panel Wldt, Adj, 2-7
Panel Wldt, Dsl, Replmt, 2-7
Panel Wldt, Dsl, Replmt [W/Fast], 2-7
Panel Wldt, Dsl, Replmt, TJ (Japan only),
2-7
Panel Wldt, Dsl, Replmt, TJ [W/Fast]
(Japan only), 2-7
Panel Wldt, Dsl, Replmt, TJ, W/Es (Japan
only), 2-7
Panel Wldt, Dsl, W/ Es, Replmt, 2-7
Panel Wldt, Filler, 2-5
Panel, Access, Door, 2-7
Panel, Access, Floor, 2-7
Panel, Filler, Filter [M20/30 Wet Sweep],
3-59
Pawl, Str, 2-59, 2-61
Pedal, Brake, Lock, 2-43
Pedal, Propel, 2-45
Pin Wldt, 3-9
Pin Wldt, Front, 2-69, 3-7
Pin Wldt, Pivot, Hppr, 2-5

Pin, 0.63d 01.8l, 1/M10h, 2cham, 2-71
Pin, 0.87d 01.8l, 1/M6 X 1.0, 1cham, Stl,
2-49
Pin, 30mmd X 215mml, 2-5, 2-55, 3-11
Pin, Arm, Safety, 2-49
Pin, Clamp, 5-25
Pin, Clevis, 0.25d X 0.75l, 2-43
Pin, Clevis, 0.31d X 1.00l, 2-43
Pin, Clevis, 0.37d X 1.31l, 3-9
Pin, Clevis, 0.37d X 1.50l, 3-9
Pin, Clevis, 0.37d X 1.75l, 2-57, 2-63,
2-75, 2-79, 3-9
Pin, Clevis, 0.37d X 2.00l, 2-67
Pin, Clevis, 0.50 D X 4.50l, 2-45
Pin, Clevis, 0.62d X 2.91l, 2-49
Pin, Clevis, 0.75d X 2.00l, 2-63
Pin, Clevis, 0.88d X 2.25l, 2-49
Pin, Cotter, .062 X 0.50, 2-43
Pin, Cotter, .094 X 1.00, 2-43, 2-49, 2-57,
2-67, 3-9
Pin, Cotter, .125 X 1.00, 2-45, 2-75, 2-79
Pin, Cotter, .125 X 1.25, 2-59, 2-61
Pin, Cotter, .125 X 2.00, 2-39
Pin, Cotter, .156 X 1.25, 2-63
Pin, Cotter, .156 X 2.00, 2-41
Pin, Cotter, Hair, 0.31d .058 Wir, 2-13
Pin, Cotter, Hair, 0.38d .072 Wir, 2-63
Pin, Cotter, Hair, 0.62d .120 Wir, 2-49
Pin, Cotter, Hair, 1.00d .178 Wir, 2-5, 2-55,
3-11
Pin, Dowel [Ku], 5-3
Pin, Dowel, 0.2502d X 1.00l, 4-23
Pin, Dowel, Cyl Block [1pk=4], 2-21
Pin, Dowel, Pump, Hyd, 4-7
Pin, Eng [Ku], 5-3
Pin, Grvd, 0.43d 01.8l [303sss], 2-69, 3-7
Pin, Hitch, .375d X 3.12l, Pl, 3-7, 3-51,
3-63
Pin, Joint, Inj [Ku], 5-25
Pin, Lift, Drain, 2-91
Pin, Locking, Steering, Tilt, 2-15
Pin, Piston [Ku], 5-17
Pin, Roll, .125 D X 0.75l, .125/.129, 2-55
Pin, Roll, .187d X 1.62l, .187/.192, 2-5,
2-55, 3-11
Pin, Spring [Ku], 5-12, 5-27
Pin, Start, Spring, 5-3
Pin, Straight [Ku], 5-3
Pin, Tappet [Ku], 5-25
Pin, Valve, Steering, 4-15
Pipe, Breather [Ku], 5-11
Pipe, Clip [Ku], 5-20
Pipe, Filtr, Oil [Ku], 2-21
Pipe, Fuel, Overflow [Ku], 5-20
Pipe, Injector, # 4, 5-20
Pipe, Overflow, 5-20
Pipe, Water, 5-10
Pipe, Water [Kubota], 5-8
Pipe, Water, Return, 5-29
Piston Kit, 4-25
Piston, Eng [Ku], 5-17
Piston, Pump, Hyd, Gear, 4-5
Piston, Ring Assy [Ku], 5-17

Pivot Wldt, Brush, Side, 3-9
Plate, 5-25
Plate Assy, Orifice, 0.0105ld, Green, 4-24
Plate Wldt, Arm, Stop, 2-49
Plate Wldt, Hose, Vacuum, 2-93
Plate Wldt, Lift, Sqge, 2-67
Plate Wldt, Mtg, 3-25
Plate Wldt, Mtg, Fan, 2-93
Plate Wldt, Mtg, Solenoid, 2-55
Plate Wldt, Retainer, Sqge, 3-7
Plate Wldt, Seat, 2-13
Plate Wldt, Wrap, Brush, 2-63
Plate, Backing, Brake, 2-41
Plate, Bottom, Hppr, 2-57
Plate, Cam, 4-7
Plate, Cntrl, Spd [Ku], 5-27
Plate, Cover, 4-7
Plate, Hook, Latch, 3-49
Plate, Inspection, 3-25
Plate, Instrument, Rh [Drago], 2-11
Plate, Label, Soltn Tank (ec-H20 only),
2-82
Plate, Mtg, Latch, 2-81, 2-82
Plate, Mtg, Light, Hp Spray (Flashing or
Strobe Light Option Only), 3-55
Plate, Mtg, Prop Rod, 2-89
Plate, Mtg, Pump, 3-25, 3-47, 3-55
Plate, Mtg, Valve, 3-21, 3-31
Plate, Pin, Clevis, Upper, 2-49
Plate, Retainer, Door, Dump, 2-57
Plate, Seal, Sound, 2-19
Plate, Shield, Heat, Dsl, Replmt, 2-31
Plate, Shim, Guard, Sqge, Tie-Down, 3-61
Plate, Skirt, Front, 2-65
Plate, Spacer, Motor, Hyd [En], 4-9
Plate, Sppt, 2-43
Plate, Sppt, Tank, 2-89
Plate, Tank, Bottom, 2-89
Plate, Valve, Motor, Hyd, 4-5
Plate, Valve, Pump, Hyd, 4-7
Plate, Wear, Steering Valve, 4-15
Plate, Wldt, Mtg, Housing, 2-15
Plug, 4-5
Plug #10, 4-8
Plug #4, 4-8
Plug Assy [CI], 4-15
Plug Kit, Drain, Recvy, Ci [M20 & T20],
2-91
Plug Orifice, Valve, Hyd, .140, 4-13
Plug Wldt, Drive, Brush, 2-59, 2-61
Plug Wldt, Drive, Brush, Sweep, 2-59, 2-61
Plug, Cup, Sealing [Ku], 5-3
Plug, Drain, Expandable, 4.75-6.00, 2-91
Plug, Eng [Ku], 5-3
Plug, Gauge, Oil [Ku], 5-4
Plug, Hole, Rnd, 0.38 H 1.0l, Brb, Nyl,
2-81, 2-82
Plug, Hole, Rnd, 0.38h .4-.7, Blk Nyl, 2-5
Plug, Hole, Rnd, 0.50h .03-.12, Blk Nyl,
2-11
Plug, Hole, Rnd, 0.56h .03-.12, Blk Nyl,
2-33
Plug, Hole, Rnd, 0.81h, Blk, 2-7

Plug, Hole, Rnd, 0.88h .03-.12, Blk Nyl, 2-7
 Plug, Hole, Rnd, 1.00h .03-.12, Blk Nyl, 2-7
 Plug, Hole, Rnd, 1.25H .03-.12, Blk Nyl, 2-13
 Plug, Hole, Rnd, 2.50h .03-.25, Blk Nyl, 2-7
 Plug, Hole, Rt, Rocker Switch, .87 X 1.7, 2-11
 Plug, Hole, Rt, Rocker Switch, .87 X 1.7 (Wet Dust Control Only), 2-11
 Plug, Hole, Soltn Tank, Blk Pyu, 2-81
 Plug, Hose, Pyu, 2-85, 2-91
 Plug, Orifice, 0.060, Ss [FaST li+], 4-24
 Plug, Orifice, Valve, Hyd, .030, 4-13
 Plug, Orifice, Valve, Hyd, .040, 4-11, 4-13
 Plug, Orifice, Valve, Hyd, .046, 4-13
 Plug, Pump, Hyd, Gear, 4-5
 Plug, Restrictor, 3-31
 Plunger, Pump, Inj [Ku], 5-25
 Poppet, Pump, Hyd, Gear, 4-5
 Pouch, 3-27
 Pouch (OPTION), 2-13
 Pump Assy, Column, Es, 4-3
 Pump Assy, Column, Es (See Breakdowns), 3-5
 Pump Kit, Hyd, Rotating [Cessna], 4-7
 Pump Kit, Mtg, Aux, Ci [M20 & T20], 2-107
 Pump, Diaphragm, 4-17
 Pump, Detgt, 14vdc, 150ml/Min 20psi, 4-16
 Pump, Detgt, 14vdc, 150ml/Min 20psi (See Breakdowns), 3-3
 Pump, Diaphragm, 3-55
 Pump, Diaphragm (See Breakdowns), 3-47
 Pump, Fuel, 2-25
 Pump, Hyd, Piston, Var, 1.24 4000, Cw, 4-7
 Pump, Hyd, Piston, Var, 1.24 4000, Cw (See Breakdowns), 2-107
 Pump, Hyd, Press Washer, 3-55, 4-25
 Pump, Injection [Kubo], 5-23, 5-25
 Pump, Oil, Eng [Ku], 5-7
 Pump, Soltn, 13.7vdc, 65psi [FaST li+], 3-17
 Pump, Soltn, Ele, 13.7vdc, 12/28psi, 3-25
 Pump, Water Assy [Ku], 5-8

R

Race Thrust, 4-8
 Race, Brg, Pump, Hyd, 4-7
 Radiator, W/ Hyd Cooler [Afmkt], 2-33
 Relay, 12vdc, 40a, Spdt N/O, 2-25, 2-37, 3-47
 Relay, 12vdc, 040a, Spdt No, 3-17, 3-25, 3-53
 Reservoir, Hyd, 10.0Gal, Replmt, 2-111
 Resistor, 022.00ohm, 0040watt, 2-25
 Resistor, Ele, Plug [430, 2w], 3-34
 Retainer, 5-19
 Retainer, Gear, Starter [Ku], 5-19

Retainer, Motor, Hyd, 4-5
 Retainer, Ring, Brake, 2-41
 Retainer, Skirt, 2-65
 Retainer, Spring, 2-67
 Retainer, Spring [Ku], 5-12
 Retainer, Spring, Valve [Ku], 5-12
 Retainer, Sqge, Side, Lh, 2-77
 Retainer, Sqge, Side, Rh, 2-73
 Ring [Ku], 5-17
 Ring Kit, Sppt, 4-25
 Ring, Lock, 4-7
 Ring, Motor, Hyd, 4-5
 Ring, Mtg, Sqge, .50l, 2-69
 Ring, Piston Assy [Ku], 5-17
 Ring, Retainer, Steering Valve, 4-15
 Ring, Retaining, 4-7
 Ring, Retaining, Ext, 0.38d, [E-Ring], 2-69, 2-71, 3-7
 Ring, Retaining, Ext, 0.38d, [Selflock], 2-67
 Ring, Retaining, Ext, 0.50d, Hd, 2-15
 Ring, Retaining, Ext, 0.62d, Hd, 2-71
 Ring, Retaining, Ext, 0.98d, [E-Ring], 2-43
 Ring, Retaining, Ext, 1.00d, Basic, 2-59, 2-61
 Ring, Retaining, Ext, 1.25d, 4-23
 Ring, Retaining, Int, 2.00d, 2-49
 Ring, Retaining, Pump, Hyd, 4-7
 Ring, Snap [Ku], 5-13, 5-15
 Ring, Snap, Piston [Ku], 5-17
 Rivet, Blind, .125d X 0.54 X .25d, Alm, 2-81, 2-82
 Rivet, Plstc, .250D X 0.90, 3-27, 3-45, 3-53
 Rod, 2-43
 Rod Assy, Connecting [Ku], 5-17
 Rod Wldt, Arm, Safety, 2-49
 Rod-End, .25-28rh Fem 0.25b [Teflon], 2-45
 Rod-End, .50-20lh Fem 0.50-20stud, 2-63
 Rod-End, .50-20rh Fem 0.50b, 2-63
 Rod-End, .50-20rh Mal 0.50b, 3-9
 Rod, Push [Ku], 5-21
 Rod, Push, Valve [Ku], 5-15
 Rod, Thr, 2 End, .50-20 04.9l, Rh / Lh, 2-63
 Roller, Brg, 2-85, 2-91

S

Screen Wldt, Hppr, 2-51
 Screen, Pump, 3-5
 Screen, Vacuum, Yellow, 2-89
 Screw, 4-8
 Screw, Adj, Rocker Arm [Ku], 5-12
 Screw, Adj, Stop [Ku], 5-26
 Screw, Btn, M8 X 1.25 X 20, Blk, 2-73, 2-77, 3-49
 Screw, Btn, M8 X 1.25 X 25, Ss, 2-63
 Screw, Cap, 4-7
 Screw, Cap, Motor, Hyd, 4-5
 Screw, Flt [Ku], 5-7

Screw, Flt, M10 X 1.5 X 25, 10.9, 2-73, 2-77
 Screw, Flt, M8 X 1.25 X 20, Blk, 2-73, 2-77
 Screw, Flt, M8 X 1.25 X 25, 2-19
 Screw, Flt, M8 X 1.25 X 30, Ss, 2-85, 2-91
 Screw, Flt, Soc, .25-20 X 1.00, Al, 2-95
 Screw, Hex [Ku], 5-4, 5-5, 5-7, 5-11, 5-23, 5-25, 5-28
 Screw, Hex, .25-14 X 0.75, Fmg/Ab, Ss, 2-89
 Screw, Hex, .25-20 X 0.75, NI, 2-95
 Screw, Hex, .25-20 X 1.00, 5, 3-7
 Screw, Hex, .25-20 X 1.00, G5, 3-65
 Screw, Hex, .25-20 X 1.75, Ss, 2-45
 Screw, Hex, .25-20 X 2.25, Ss, 2-45
 Screw, Hex, .31-18 X 1.00, G5, 2-29
 Screw, Hex, .31-24 X 0.75, NI, 2-47
 Screw, Hex, .38-16 X 0.75, NI, 2-59, 2-61, 3-7
 Screw, Hex, .38-16 X 0.88, 5, 3-51
 Screw, Hex, .38-16 X 0.88, G5, 3-63
 Screw, Hex, .38-16 X 1.25, G5, 2-47
 Screw, Hex, .38-16 X 1.50, Ss, 3-9
 Screw, Hex, .38-16 X 2.00, Ss, 2-47
 Screw, Hex, .38-16 X 3.00, G5, 2-29
 Screw, Hex, .50-13 X 1.50, 5, 2-63
 Screw, Hex, .50-13 X 3.50, G5, 3-65
 Screw, Hex, .75-10 X 3.25, G5, 2-39
 Screw, Hex, #10-16 X 0.62, Fmg [Ab], 3-47
 Screw, Hex, 10-16 X 0.62, Fmg/Ab, Pl, 3-53
 Screw, Hex, 10-24 X 0.50, Ss, 2-29
 Screw, Hex, Case, Brg, Main [Ku], 5-9
 Screw, Hex, Cshft [Ku], 5-17
 Screw, Hex, Flywheel [Ku], 5-18
 Screw, Hex, H6 X 1.00 X 20, 9.8, Sems, 3-43
 Screw, Hex, Head, Cyl [Ku], 5-5
 Screw, Hex, M10 X 1.25 X 25, 8.8, 2-21, 2-33
 Screw, Hex, M10 X 1.25 X 35, 8.8, 2-29
 Screw, Hex, M10 X 1.5 X 110, 8.8, 2-21
 Screw, Hex, M10 X 1.5 X 20, Ss, 2-53, 2-57, 3-59
 Screw, Hex, M10 X 1.5 X 25, 8.8, 2-5, 2-7, 2-21
 Screw, Hex, M10 X 1.5 X 25, Ss, 2-49, 2-63, 2-75, 2-79
 Screw, Hex, M10 X 1.5 X 30, 8.8, 3-41
 Screw, Hex, M10 X 1.5 X 30, Ss, 2-5, 2-57, 2-67, 3-11
 Screw, Hex, M10 X 1.5 X 35, 8.8, 2-21, 2-27, 3-51
 Screw, Hex, M10 X 1.5 X 40, 8.8, 2-95
 Screw, Hex, M10 X 1.5 X 45, 8.8, 3-51
 Screw, Hex, M10 X 1.5 X 80, 8.8, 3-51
 Screw, Hex, M10 X 1.50 X 25, 8.8, 2-29, 2-33, 2-107
 Screw, Hex, M10 X 1.50 X 30, 8.8, 2-47
 Screw, Hex, M10 X 1.50 X 35, 8.8, 2-47, 3-63
 Screw, Hex, M10 X 1.50 X 35, Ss, 3-61

CROSS REFERENCE

- Screw, Hex, M10 X 1.50 X 40, 8.8, 2-33
Screw, Hex, M10 X 1.50 X 60, 8.8, 2-53
Screw, Hex, M10 X 1.50 X 80, 8.8, 2-15, 3-63
Screw, Hex, M12 X 1.75 X 30, 8.8, 3-9
Screw, Hex, M12 X 1.75 X 30, Ss, 2-55
Screw, Hex, M12 X 1.75 X 35, 8.8, 3-61
Screw, Hex, M12 X 1.75 X 40, 8.8, 2-41, 2-63
Screw, Hex, M12 X 1.75 X 55, Ss, 2-75, 2-79
Screw, Hex, M12 X 1.75 X 60, 8.8, 2-21
Screw, Hex, M16 X 2.0 X 90, 8.8, 2-17
Screw, Hex, M4 X 0.7 X 10, Fmg, 2-49
Screw, Hex, M4 X 0.70 X 12, 8.8, 3-25
Screw, Hex, M4 X 0.70 X 50, Ss, 4-19
Screw, Hex, M5 X 0.8 X 10, Fmg, 2-63
Screw, Hex, M5 X 0.8 X 12, Ss, 3-11, 3-51
Screw, Hex, M5 X 0.8 X 20, 8.8, 2-13, 2-47, 2-49
Screw, Hex, M5 X 0.80 X 10, Fmg, 3-25
Screw, Hex, M5 X 0.80 X 16, 8.8, 2-25, 3-43
Screw, Hex, M5 X 0.80 X 16, Fmg, 3-45, 3-63
Screw, Hex, M5 X 0.80 X 16, Ss, 2-43
Screw, Hex, M5 X 0.80 X 20, 8.8, 3-25
Screw, Hex, M6 X 1.0 X 12, Fmg, 2-5, 2-109
Screw, Hex, M6 X 1.0 X 16, 8.8, 2-17, 2-25, 2-43
Screw, Hex, M6 X 1.0 X 16, Fmg, 2-45, 2-55, 2-65, 3-3
Screw, Hex, M6 X 1.0 X 16, Ss, 2-53, 3-59
Screw, Hex, M6 X 1.0 X 20, 8.8, 2-13, 2-25, 2-27
Screw, Hex, M6 X 1.0 X 20, 9.8, Sems, 2-49
Screw, Hex, M6 X 1.0 X 20, Ss, 2-31, 2-57, 2-87, 2-89
Screw, Hex, M6 X 1.0 X 25, 8.8, 2-55
Screw, Hex, M6 X 1.0 X 25, Ss, 2-75, 2-79
Screw, Hex, M6 X 1.0 X 35, Ss, 2-65
Screw, Hex, M6 X 1.0 X 40, 8.8, 2-25
Screw, Hex, M6 X 1.0 X 55, Ss, 2-91
Screw, Hex, M6 X 1.0 X 60, 8.8, 2-43
Screw, Hex, M6 X 1.00 X 12, Ss, 3-25, 3-49
Screw, Hex, M6 X 1.00 X 16, 8.8, 2-7, 3-65
Screw, Hex, M6 X 1.00 X 16, Ss, 3-17
Screw, Hex, M6 X 1.00 X 20, 8.8, 2-11, 2-17, 2-29, 2-33, 3-65
Screw, Hex, M6 X 1.00 X 20, 9.8, Sems, 2-25, 2-33, 3-25
Screw, Hex, M6 X 1.00 X 20, Ss, 2-15, 2-75, 2-79
Screw, Hex, M6 X 1.00 X 25, 8.8, 2-47
Screw, Hex, M6 X 1.00 X 25, 9.8 Sems, 2-33
Screw, Hex, M6 X 1.00 X 25, 9.8, Sems, 2-15, 2-25
Screw, Hex, M6 X 1.00 X 25, Ss, 2-89
Screw, Hex, M6 X 1.00 X 50, 8.8, 3-57
Screw, Hex, M8 X 1.25 X 110, Ss, 2-69, 3-13
Screw, Hex, M8 X 1.25 X 16, 8.8, 2-17, 2-89, 3-9
Screw, Hex, M8 X 1.25 X 16, Ss, 2-59, 2-61, 2-85, 2-91, 3-55
Screw, Hex, M8 X 1.25 X 20, 8.8, 2-7, 2-13, 2-15, 2-17, 2-19, 2-25, 2-31, 2-35, 2-39, 2-43, 3-55
Screw, Hex, M8 X 1.25 X 20, Ss, 2-7, 2-13, 2-19, 2-27, 2-53, 2-59, 2-61, 2-63, 2-65, 2-75, 2-79, 2-81, 2-85, 2-89, 2-91, 2-93, 2-113, 3-3, 3-5, 3-17, 3-25, 3-35, 3-36, 3-37, 3-47
Screw, Hex, M8 X 1.25 X 25, 8.8, 2-5, 2-7, 2-21, 2-23, 2-29, 2-85, 2-91, 2-93, 2-109
Screw, Hex, M8 X 1.25 X 25, 9.8, Sems, 2-5, 2-17, 2-33, 2-37, 2-55, 2-89, 2-95
Screw, Hex, M8 X 1.25 X 25, Fmg, 3-21, 3-31
Screw, Hex, M8 X 1.25 X 25, Ss, 2-47, 2-51, 2-57, 2-59, 2-61, 2-65, 2-67, 2-81, 2-93, 3-9, 3-13, 3-57
Screw, Hex, M8 X 1.25 X 30, 8.8, 2-21, 2-29, 2-85, 2-91
Screw, Hex, M8 X 1.25 X 30, 9.8, Sems, 2-111
Screw, Hex, M8 X 1.25 X 30, Ss, 2-93
Screw, Hex, M8 X 1.25 X 35, 8.8, 2-43, 2-85, 2-91
Screw, Hex, M8 X 1.25 X 35, 9.8, Sems, 2-33
Screw, Hex, M8 X 1.25 X 35, Fl, Ss, 2-93
Screw, Hex, M8 X 1.25 X 35, Ss, Fl, 2-67
Screw, Hex, M8 X 1.25 X 40, 8.8, 4-23
Screw, Hex, M8 X 1.25 X 40, Ss, NI, 2-47
Screw, Hex, M8 X 1.25 X 45, Ss, 2-31, 2-71
Screw, Hex, M8 X 1.25 X 50, 8.8, 2-47
Screw, Hex, M8 X 1.25 X 50, Ss, Fl, 2-65
Screw, Hex, M8 X 1.25 X 60, 8.8, 2-67
Screw, Hex, M8 X 1.25 X 60, 8.8, Fl, 2-7
Screw, Hex, M8 X 1.25 X 60, Fl, 2-63
Screw, Hex, M8 X 1.25 X 70, 8.8, 2-43
Screw, Hex, M8 X 1.25 X 90, 8.8, 2-71
Screw, Hex, W/ Washer [Ku], 5-10
Screw, Motor, Hyd [En], 4-9
Screw, Mtg [Ehpr98], 4-11, 4-13
Screw, Pan, #04-24 X 0.50l, Hi - Low, 2-11
Screw, Pan, #12-16 X 0.50, F/ Plstc, 3-60
Screw, Pan, 12-16 X 0.50, F/ Plstc (ec-H20 only), 2-82
Screw, Pan, M3 X 0.5 X 20, 4.8, 2-53
Screw, Pan, M3 X 6, [Seelscrew], 2-11
Screw, Pan, M4 X 0.7 X 10, Ss, 2-73, 2-77
Screw, Pan, M4 X 0.7 X 16, 4.8, 2-19
Screw, Pan, M4 X 0.7 X 16, Ss, 2-19, 3-3
Screw, Pan, M4 X 0.7 X 20, 4.8, 2-55
Screw, Pan, M4 X 0.7 X 20, Ss, 2-55
Screw, Pan, M4 X 0.7 X 25, 4.8, 2-13
Screw, Pan, M4 X 0.7 X 35, Ss, 2-47
Screw, Pan, M5 X 0.8 X 12, Ss, 2-13, 2-19, 2-53, 2-87, 3-59
Screw, Pan, M5 X 0.80 X 45, 4.8, 3-47
Screw, Pan, M6 X 1.0 X 16, Ss, 2-67
Screw, Pan, M8 X 1.25 X 25, Blk, 2-7, 2-11, 2-13, 2-15, 2-19
Screw, Pan, M8 X 1.25 X 25, Ss, 2-5
Screw, Pan, Phl, 06-20 X 0.50, Fmg/Ab, 2-19, 2-81, 2-82
Screw, Pan, Phl, 12-16 X 0.50, F/ Plstc, 2-81, 2-82
Screw, Pan, Phl, 12-16 X 0.50, F/ Plstc (PRO PANEL ONLY), 2-89
Screw, Pan, Phl, M4 X 0.70 X 20, Ss, 3-25
Screw, Pan, Phl, M5 X 0.80 X 12, Ss, 3-17, 3-21, 3-49
Screw, Pan, Phl, M5 X 0.80 X 16, Tcut,Ss, 4-19
Screw, Pan, Phl, M5 X 0.80 X 20, Ss, 3-31, 3-35, 3-36, 3-37, 3-38, 3-39
Screw, Pan, Phl, M5 X 0.80 X 45, 4.8, 3-55
Screw, Pump, Injection [Ku], 5-25
Screw, Rod, Connecting [Ku], 5-17
Screw, Set [Ku], 5-13, 5-15
Screw, Set, #10-24 X 0.25, NI, 2-53
Screw, Soc, .50-13 X 1.50, Al, 2-39
Screw, Soc, M16 X 2.0 X 50, 12.9, 2-39
Screw, Soc, M6 X 1.00 X 16, 12.9, 2-21, 2-29
Screw, Soc, M8 X 1.25 X 25, 12.9, 2-75, 2-79
Screw, Soc, M8 X 1.25 X 35, 12.9, 2-75, 2-79
Screw, Valve, Steering, 4-15
Screw, W / Washer, 5-20
Screw, Hex, M5 X 0.80 X 29, 8.8, 3-43
Seal Kit [Buna], 4-25
Seal Kit [Vitron], 4-25
Seal Kit, Cartridge, 2-113, 4-11, 4-13
Seal Kit, Motor [CJ], 3-7, 4-9
Seal Kit, Oil, 4-25
Seal Kit, Pump, Hyd, 4-7
Seal Kit, Rear, 4-5
Seal Kit, Shaft, 4-5
Seal Kit, Steering [CJ], 4-15
Seal Kit, Valve [Ehpr98], 4-11, 4-13
Seal Replmt Kit, 4-8
Seal, Sponge, 0.88 1.00W 43.0L, 2-17
Seal, Afmkt, Bulb, 90, 0.50d, 02ft, 2-13
Seal, Afmkt, Bulb, 90, 0.75d F/11ga 02ft, 2-13, 2-19
Seal, Afmkt, Bulb, 90, 0.75d F/11ga 08ft, 2-7
Seal, Afmkt, Bulb, Str, .75d F/07ga 08ft, 2-93
Seal, Afmkt, Ure, Adh, 0.38, 0.75w 03ft, 2-95
Seal, Afmkt, Ure, Adh, 0.50, 0.75w 02ft, 3-59
Seal, Afmkt, Ure, Adh, 0.50, 0.75w 03ft, 3-59
Seal, Bulb, Str, .50Hi .50W 047.2L, Adh, 2-81, 2-82

- Seal, Bulb, Str, 0.38h .75w Adh, 52 L, 2-33
 Seal, Door, Dump, 2-57
 Seal, Drive, Rear, Grease Cav, 2-39
 Seal, Foam, 0.50, 2-7
 Seal, Heat [Ku], 5-20
 Seal, Mechanical Assy [Ku], 5-8
 Seal, Oil [Ku], 5-27
 Seal, Oil, Front [Ku], 5-7
 Seal, Oil, Rear [Ku], 5-9
 Seal, Org, 2-21, 5-7, 5-10, 5-19
 Seal, Org [Ku], 5-4, 5-7, 5-25
 Seal, Org, .069 X 3.06id, 2-107
 Seal, Org, .072 X 00.35id #04, 4-13
 Seal, Org, .078 X 00.47id #06, 4-13
 Seal, Org, .078 X 00.47id 06, 4-11
 Seal, Plug, Drain, Nitrile, 2-91
 Seal, Rbr, Clsd, .13, .38w 72.0l, Adh, 2-33
 Seal, Shaft, Drain Plug, 2-91
 Seal, Stem, Valve [Ku], 5-12
 Seal, Ure, 0.38 0.75w 13.2l Adh, 2-95
 Seal, Wire, 14/16ga [Wp / Mp280 Sealed], 4-17
 Seat, Deluxe, Replmt [M20/T20/M30], 4-21
 Seat, Deluxe, Replmt [M20/T20/M30] (See Breakdowns), 2-13
 Seat, Spring, Lower, Injector [Ku], 5-25
 Seat, Spring, Upper, Injector [Ku], 5-25
 Seatbelt, Retract, Orange, Replmt, 4-21
 Send-Unit, Fuel [2007], 2-23
 Send-Unit, Water, Temp, 04npt 113oh/195d, 2-111
 Sensor, Level, Liq, 14vdc 01a .62-11, 2-82, 2-89, 3-5, 3-55
 Sensor, Spd / Dir, 6-30vdc, 2-47
 Shaft Wldt, Brake, 2-43
 Shaft Wldt, Pedal, Brake, 2-43
 Shaft, Brush, Idler, 2-59, 2-61
 Shaft, Gear, Orbital, 4-23
 Shaft, Governor [Ku], 5-13
 Shaft, Governor, Weight [Ku], 5-13
 Shaft, Govnr, 5-13
 Shaft, Govnr [Ku], 5-13
 Shaft, Idler, Gear [Ku], 5-15
 Shaft, Lever, Spd [Ku], 5-27
 Shaft, Motor, Hyd, 4-5
 Shaft, Output, 4-8
 Shaft, Output, Motor, Hyd [En], 4-9
 Shaft, Pump, 4-7
 Shaft, Pump, Water, 4-3
 Shaft, Rocker, Arm [Ku], 5-12
 Shaft, Sterring, 4-23
 Shaker Wldt, 2-53
 Sheave, Cshft [Ku], 5-17
 Sheave, Fan [Ku], 5-8
 Shield, Breather, 5-10
 Shield, Heat, Dsl, 2-31
 Shim, 5-23
 Shim Kit, 4-7
 Shim, Pump, Injection, 5-23
 Shim, Tappet, Injection [Ku], 5-25
 Shock Absorber, 2.3 Strk, 2-47
 Shoe, Brake, 180 X 30mm, 2-41
 Shroud Assy, Eng, 2-19
 Shroud Wldt, Fan, Eng, Dsl, 2-33
 Shroud, Fan, 2-33
 Shroud, Front, Trimmed, 2-17
 Shroud, Seat, 2-13
 Skirt, Fan, Eng, Dsl, 2-33
 Skirt, Neo, .06, 06.38w 40.86l, 06 Hole, 1-1, 2-65
 Skirt, Neo, .06, 06.85w 27.95l, 08 Hole, 1-1, 2-73, 2-77
 Skirt, Neo, .06, 07.63w 51.52l, 11 Hole, 2-65
 Skirt, Neo, .06, 12.00w 45.88l, 07 Hole, 1-1, 2-65
 Skirt, Neo, .06, 26.99w 40.55l, 36 Hole, 2-65
 Skirt, Neo, .12, 05.39w 14.01l, 02 Sl, 2-65
 Skirt, Neo, .18, 10.37w 27.95l, 12 H&S, 1-1, 2-73, 2-77
 Skirt, Rbr, .37, 04.50w 40.94l, 06 Hole, 1-1, 2-65
 Sleeve, 0.31b 0.50d 0.3l, Ss, 2-75, 2-79, 2-91
 Sleeve, 0.49b 0.68d 1.2l [304ss], 2-75, 2-79
 Sleeve, Cntrl, Pump, Injection [Ku], 5-25
 Sleeve, Dashpo, Pump, Hyd, Gear, 4-5
 Sleeve, Govnr [Ku], 5-13
 Sleeve, Nyl, #37 05.0l, 2-39
 Sleeve, Nyl, 0.69id 20.0l [Asb11], 3-57
 Sleeve, Nyl, 1.06id 22.0l [Asb15], 3-57
 Sleeve, Nyl, 1.22id, 95.0l, 2-103, 2-105
 Sleeve, Nyl, 2.38id 25.0l, 2-39
 Sleeve, P/M, 0.25b 0.38d 0.2l [430ss], 3-65
 Sleeve, P/M, 0.31b 0.50d 0.3l [430ss], 2-85, 2-91
 Sleeve, P/M, 0.31b 0.50d 0.7l [430ss], 2-69, 2-85, 2-91
 Sleeve, P/M, 0.31b 0.50d 0.9l [430ss], 2-31
 Sleeve, P/M, 0.34b 0.63d 0.6l, Bnz, 2-71
 Sleeve, P/M, 0.34b 0.63d 1.2l, Bnz, 2-69
 Sleeve, P/M, 0.37b 0.50d 0.6l [430ss], 3-9
 Sleeve, P/M, 0.47b 0.75d 0.5l [430ss], 2-63
 Sleeve, Pump, Water, 4-3
 Sleeve, Rbr, 3.50b 3.58d 1.8l, 3-5
 Solenoid, #10, 12vdc, 4-11, 4-13
 Solenoid, #8, 12vdc, 4-11, 4-13
 Solenoid, Pull, 12vdc, Damper, 2-55
 Spacer, 3-7
 Spacer [Ku], 5-21
 Spacer Plate, 4-8
 Spacer, Rnd, .125l, Alm, 2-11
 Spacer, Coil, #8, 4-13
 Spacer, Fan, 2-29
 Spacer, Fan, Dsl [M20/T20], 2-29
 Spacer, Pad, Rbr, 2-67
 Spacer, Plstc, Ny, 2-13
 Spacer, Sqge, Side Brush, 3-7
 Spacer, Valve, Steering, 4-15
 Spool, Pilot, Dual, Hyd, 4-13
 Spool, Pilot, Hyd, 4-11, 4-13
 Spring, 4-5, 5-19
 Spring Kit, Scu [Cl], 4-15
 Spring, Brush, 5-19
 Spring, Cmpr, 0.72od .06wir 02.3l, 2-15
 Spring, Cmpr, 0.9od .042wir 02.0l, 2-69
 Spring, Cmpr, Plunger [Ku], 5-25
 Spring, Cmpr, Relief [Ku], 5-7
 Spring, Cmpr, Rocker [Ku], 5-12
 Spring, Cmpr, Valve, Injector [Ku], 5-25
 Spring, Dsl, 1.00od 0.50id 1.7l, 2-71
 Spring, Ext [Ku], 5-19
 Spring, Extn, 0.75od X 0.09wir, 2.5l, 2-75, 2-79
 Spring, Extn, 0.75od X 0.12wir, 4.3l, 2-47
 Spring, Extn, 0.88od X 0.14wir, 9.0l, 2-67
 Spring, Extn, 2.00od 0.25wir 07.5l, 2-63
 Spring, Flat, Retainer, Angled Screen, 2-51
 Spring, Flt, 0.08th, 4.50w X 07.0l, 2-67
 Spring, Governor [Ku], 5-28
 Spring, Motor, Hyd, 4-5
 Spring, Start [Ku], 5-28
 Spring, Tors [Ku], 5-27
 Spring, Tors, 0.75id .06wir 02.8coil, 2-43
 Spring, Tors, 1.13id .12wir 02.3coil Rh, 2-43
 Spring, Valve [Ku], 5-12
 Spring, Wir, 0.08d, Brake, Parking, 2-43
 Spring, Wir, 0.25d, Return, Brake, 2-41
 Squeegee Kit, Rear, Replmt [M20/T20], 2-69
 Squeegee Wldt, Rear, 2-69
 Stand-Off, Hex, M3 X M14, Alm, 2-11
 Starter, 12vdc [Kubota], 5-19
 Steer-Control, Hyd05, 06.1 2030, 4-15
 Steer-Control, Hyd05, 06.1 2030 (See Breakdowns), 2-15
 Stem, Valve, Hyd, 4-11, 4-13
 Stem, Valve, Hyd [4w2p], 4-11, 4-13
 Stop, Rotation, 2-71
 Stopper, Cam [Ku], 5-15
 Stopper, Fuel [Ku], 5-13
 Strainer, Hyd, 25gpm 100mesh Psi, 2-111
 Strainer, Hyd, 25 Gpm 100 Mesh, 1-1
 Strainer, Soltn, 20 Mesh, Cyl 3.5d 9.5l, 3-5
 Strap, Door, Dump, 2-57
 Strap, Mtg, Motor, .124.00W, 2-53
 Strap, Rbr, Tie-Down, 2/Hooks 19.0l, 2-37
 Strap, Retaining, Hose, 2-85, 2-91
 Strap, Sppt, 2-47
 Strap, Static, Afmkt, 2-65
 Strap, Tank, Gas, 2-23
 Strip Mtg, Seal, 2-17
 Strip, Flap, Recirculation, 2-65
 Strip, Non-Slip, 0.50w 06.0l, 2-69
 Strip, Rbr, 0.06 01.00W 04.0L, 2-53
 Strip, Rbr, 0.06 03.54w 03.5l [Neo/60], 3-25
 Strip, Rbr, 0.06 04.00w 05.0l Neo/60, 2-53
 Stud [Ku], 5-7, 5-11, 5-12, 5-23, 5-27
 Stud, Ball, .39d .31-16, Gasspring, 2-13
 Stud, M8 X 1.25, 2.75l M8 X 1.25, Ss, 2-69

CROSS REFERENCE

Stud, Wheel, .50-20 X 1.50l, 0.370th, 2-39
Switch Assy, Press, 3.0, 17.5l Tube, 3-5
Switch Kit, Pump, Repair,, 4-17
Switch, Ignition [Ku], 2-11
Switch, Magneto [Ku], 5-19
Switch, Press, 50 Psi, Pm02, 3-27
Switch, Press, Adj [4-16 In Wtr], 2-55
Switch, Press, Dpdt 0006psi, 2-21
Switch, Rocker, Dpdt On/None/On, 3-47
Switch, Rocker, Dpdt, Mom / Off / Mom, 2-11
Switch, Rocker, Dpdt, On / Off / On, 2-11
Switch, Rocker, Mom, Led (Dry Dust Control Only), 2-11
Switch, Rocker, Prgrsv, 3-53
Switch, Rocker, Spst, Mom, 3-25
Switch, Seat, 4-21
Switch, Snap, 15a Nc, Rlr, 2-43
Switch, Snap, 15a No, Rlr, 2-49
Switch, Temp, Sealed, Nc, 2-53
Switch, Thermostat, Water, 2-21

T

Tank, Coolant, 03.6W 04.1HI 05.5L, 1Liter, 2-35
Tank, Detgt, Trimmed, 3-5
Tank, Fuel, 11.2gal, Dsl, Replmt, Na[08], 2-23
Tank, Fuel, 11.2gal, Dsl, Replmt, Tj[08] (Japan Only), 2-23
Tank, Recvy, Trimmed, 2-89
Tank, Soltn, W/ Label [M20], 2-81
Tappet [Ku], 5-15
Tappet, Pump, Injection [Ku], 5-25
Terminal, Bullet, Mal, .156d, 22-18ga, 3-36, 3-37, 3-38, 3-39
Terminal, Fem, Mp280, Sealed, 18-16ga, 4-17
Thermostat, 180deg, 1.7d [Ku], 5-29
Thrust Bearing, 4-8
Tie, Cable, 6.0l, 1.25d Max, 3-38, 3-39
Tie, Cable, 11.3l, 2.75d Max, 3-43
Tie, Cable, 11.3l, 2.75d Max (PRO PANEL ONLY), 2-89
Tie, Cable, Nyl, 07.3l .19w 1.8 Max D, 2-11, 2-25, 2-33, 2-35, 2-39, 2-61, 3-27, 3-38, 3-39, 3-53
Tie, Cable, Nyl, 14.5l .30w 4.0 Max D, 4-19
Tie, Cable, Nyl, 15.3l . W 4.5 Max D, 3-21, 3-31
Tie, Cable, Nyl, 15.3L . W 4.5 Max D, 2-53
Timer, 12vdc, 10 Sec, 2-25
Tire Assy, Idler, 16.0 X 3.5, Rubber, 2-41
Tire, Drive, Scrbr, Non-Skid, 18.0X6.0, 2-39
Tire, Drive, Scrbr, Pu, Grey, 18.0X6.0 (Optional Polyurethane), 2-39
Tire, Idle, 16 X 3.5, Pu, Siped Tread(Optional Polyurethane), 2-41
Tow Wldt, Bumper, Front, 3-61
Tower, Wldt, Lift, Lh, Replmt [M20], 2-5

Tower, Wldt, Lift, Rh, Replmt [M20], 2-5
Track Assy, Slide, 4-21
Transport Kit, Ci [M20/M30], 3-49
Tray Wldt, Drip, Dsl, 2-25
Tray Wldt, Drip, Fuel, 2-25
Tray Wldt, Fuel, 2-23
Tray, Perma-Filter, 2-53
Tread, Non-Skid, 01.9w 08.0l, 2-5
Tread, Non-Skid, 02.2w 11.5l, 3-11
Tread, Non-Skid, 03.0w 11.6l, 2-5, 2-7, 2-45
Tube Assy, Plug, Drain, 2-91
Tube Kit, Tank, Recvy, Replmt, 2-91
Tube Kit, Tank, Soltn, Replmt, 2-85
Tube Wldt, Arm, Safety, 2-49
Tube Wldt, Exhaust, 1.5d, 4 Hole Flng, 2-31
Tube Wldt, Leg, Ohg, Lh, Pntd, 3-41
Tube Wldt, Leg, Ohg, Rh, Pntd, 3-41
Tube Wldt, Plug, Drain, 2-91
Tube Wldt, Torque, 2-63
Tube, 0.38id 0.75od 00.3l, Ss, 2-29
Tube, 0.50d 0.32b 00.4l, Ss, 2-85, 2-91
Tube, 00.38d 00.26b 00.3l Stil Plt, 2-45

Tube, 00.50d 00.38b 00.6l Stil, 2-47
Tube, 2.90id 3.00od 02.4l, Ss, 2-85, 2-91
Tube, Acrylic, Hose, Pinch, 2-91
Tube, Breather, 5-10
Tube, Drain, Starter, 5-19
Tube, Exhaust, 1.5d, 2-31
Tube, Exhaust, Dsl, 2-31
Tube, Hyd, 08 Jf08/Jm08, 2-59
Tube, Hyd, Brush Return, W/ Cd [M20/T20], 2-61
Tube, Hyd, Main Return [G/Lp Mit2013], 2-109
Tube, Hyd, Rear Sqge [M20], 2-109
Tube, Hyd, Sqge, 2-109
Tube, Injector, Pipe #1 [Ku], 5-20
Tube, Injector, Pipe #2 [Ku], 5-20
Tube, Injector, Pipe #32 [Ku], 5-20
Tube, Pin [Ku], 5-3
Tube, Radiator, Lower, Dsl, 2-35
Tube, Seat, Valve, Oil [Ku], 5-7
Tube, Transition, Casting, 2-95
Tube, Vacuum, 2-55
Tube, Vinyl, Pump, Water, 4-3
Tubing Connctr.Kit, Gorman Pmp, 4-16

U

Upper Hsg Kit, Pump, Repair,, 4-17

V

Valve Assy [Proportional], 4-11, 4-13
Valve Assy, Relief [CI], 4-15
Valve Assy, Water, Solenoid , 12vdc, 2-87
Valve Assy, Water, Solenoid, 12vdc, 3-11, 3-31
Valve Kit, 4-25

Valve Kit, Poppet, Gorman Rupp, 4-16
Valve Kit, Replacement 12v St Flow, 3-11
Valve, Breather, Complt, 5-10
Valve, Check, 4-11, 4-13
Valve, Check, 0002psi [FaST li+], 4-24
Valve, Check, 0005psi [FaST li+], 4-24
Valve, Check, 0005psi Bm06/Bm08, 3-17
Valve, Check, 0005psi Pm04/Bm06, 3-27
Valve, Check, 2gpm .5psi Bm08/Bm08, 3-31
Valve, Check, Pump, Water, 4-3
Valve, Cntrl, Hyd, Solenoid, 03/16gpm, 4-11
Valve, Cntrl, Hyd, Solenoid, 03/16gpm (See Breakdowns), 3-13
Valve, Cntrl, Hyd, Solenoid, 12vdc 10gpm, 4-13
Valve, Cntrl, Hyd, Solenoid, 12vdc 10gpm (See Breakdowns), 2-113
Valve, Cntrl, Solenoid, 4-13
Valve, Drain, Pm12, Qtr Turn, 3-55
Valve, Eng [Delivery, Ku], 5-25
Valve, Exhaust [Ku], 5-12
Valve, Hyd, Check, Jm08/Om08 5000psi, 3-13
Valve, Hyd, Press Washer, 3-55, 3-57, 4-25
Valve, Intake [Ku], 5-12
Valve, Motor, Hyd, 4-5
Valve, Needle, 3-55
Valve, Relief, 4-11, 4-13
Valve, Relief, 0600Psi, 2-113
Valve, Relief, 3000 Psi, 4-7
Valve, Relief, 4000 Psi, 4-7
Valve, Shutoff, 3-47
Valve, Solenoid, 12vdc, Water Flow, 3-21
Valve, Stem, No, 4-11, 4-13
Valve, Vent, Air, Float Type, 3-27
Valve, Water, Solenoid, 12vdc 0.08pf, 3-3
Valve, Water, Solenoid, 12vdc 6.0mm Pf04, 3-17
Vr, Manual, Engine [Kubota, V1505e], 3-66

W

Wand Kit, Vacuum, Ci [M20], 3-45
Wand, Chm, Dbl Bend [1 Pk= 1 Box Of 2pc], 3-45
Wand, Clean-Out, 3-47
Wand, Str, Ss, 28l, 3-53
Washer, Adjusting [Ku], 5-21
Washer, Belleville, .31, 2-47
Washer, Collar, Gear [Ku], 5-15
Washer, Flat [Ku], 5-12, 5-27
Washer, Flat, .781b 1.63od .16, Stil, Blk, 2-39
Washer, Flat, .78b 1.75d .18, Ss, 2-91
Washer, Flat, #06, 2-53
Washer, Flat, #08, 2-13
Washer, Flat, #10, 2-13, 2-19, 2-37, 2-49, 3-47
Washer, Flat, #10 Ss, 2-47
Washer, Flat, #10, Ss, 3-3, 3-47, 3-51
Washer, Flat, 0.15b 0.31d .05, Nyl, 2-11

- Washer, Flat, 0.19b 0.44d .05, Pl, 08, 2-11, 2-47
 Washer, Flat, 0.25 Fender, 2-95
 Washer, Flat, 0.25 Fendr, 2-13
 Washer, Flat, 0.25 Sae, 2-13, 2-55
 Washer, Flat, 0.25 Std, 2-43, 2-45
 Washer, Flat, 0.25, Fendr, 2-33
 Washer, Flat, 0.25, Sae, 2-15, 2-23, 2-27, 2-29, 2-31, 2-33, 2-47, 2-95, 3-25
 Washer, Flat, 0.25, Ss, 2-53, 2-57, 2-65, 2-87, 2-89, 3-59
 Washer, Flat, 0.25, Std, 2-7, 2-11, 2-15, 2-17, 2-25, 2-33, 2-47, 3-57, 3-65
 Washer, Flat, 0.25b 0.56d .05, Pl, 10, 2-13, 2-25, 3-43, 3-55
 Washer, Flat, 0.27b 0.69d .05, Ss, 3-17, 3-25, 3-49
 Washer, Flat, 0.31 Sae, 2-7, 2-13, 2-19, 2-47, 2-75, 2-79, 2-81, 2-85, 2-91
 Washer, Flat, 0.31 Std, 2-47
 Washer, Flat, 0.31, Sae, 4-23
 Washer, Flat, 0.31, Ss, 2-27, 2-31, 2-57, 2-65, 2-67, 2-69, 2-71, 2-75, 2-79, 2-85, 2-91, 3-3, 3-9
 Washer, Flat, 0.31, Std, 2-5, 2-7, 2-13, 2-15, 2-21, 2-23, 2-25, 2-29, 2-31, 2-35, 2-39, 2-43, 2-59, 2-61, 2-63, 2-65, 2-85, 2-89, 2-91, 2-109, 3-9, 3-13, 3-41, 3-49, 3-55, 3-57
 Washer, Flat, 0.32b 1.00d .12, Ss, 2-7, 2-13, 2-17, 2-19, 2-51, 2-57, 2-81, 2-85, 2-89, 2-91, 2-93, 2-113, 3-5, 3-17, 3-25, 3-35, 3-36, 3-37, 3-47, 3-55
 Washer, Flat, 0.32b 1.00d .12, Ss (Flashing or Strobe Light Option Only), 3-55
 Washer, Flat, 0.38 Sae, 2-47, 2-63, 2-71, 2-95, 2-107
 Washer, Flat, 0.38 Std, 2-5, 2-13, 2-47, 3-7, 3-41, 3-51
 Washer, Flat, 0.38, Sae, 2-21, 2-27, 2-33
 Washer, Flat, 0.38, Std, 2-29, 2-33, 3-61, 3-63
 Washer, Flat, 0.38b 0.88d .08, Ss, 2-53, 2-93
 Washer, Flat, 0.38b 1.25d .12, Neo, 2-51, 2-57
 Washer, Flat, 0.40b 1.12d .12, Ss, 2-95
 Washer, Flat, 0.40b 1.12d .12, Ss, 2-33, 2-53, 2-57, 2-71, 3-41, 3-59
 Washer, Flat, 0.40b 1.12d .12, Stil, Pl, 2-15
 Washer, Flat, 0.41b 1.25d .12, Pye, 2-13
 Washer, Flat, 0.44b 1.00d .08, Ss, 2-5, 2-49, 2-67, 3-11
 Washer, Flat, 0.50 Sae, 2-41, 3-9
 Washer, Flat, 0.50, Sae, 2-55
 Washer, Flat, 0.50, Std, 2-21
 Washer, Flat, 0.53b 1.06d .10, Stil, Pl, 2-15, 3-61
 Washer, Flat, 0.53b 1.88d .12, Stil, Pl, 2-7, 2-21, 2-67, 2-69, 3-65
 Washer, Flat, 0.56b 1.38d .11, Ss, 2-63, 2-67, 2-75, 2-79
 Washer, Flat, 0.62 Sae, 2-17
 Washer, Flat, 0.66b 1.00d .12, Rbr, 3-3, 3-47
 Washer, Flat, 0.69b 1.19d .06, Stil, Pl, 2-71
 Washer, Flat, 0.76b 1.50d .06, Ss, 2-41
 Washer, Flat, 0.79b 1.18d .06, Nyl, 2-85, 2-91
 Washer, Flat, 0.81b 1.06d .06, Stil, 2-33
 Washer, Flat, 06, 3-45
 Washer, Flat, 08, 3-25
 Washer, Flat, 08, Ss, 4-19
 Washer, Flat, 1.10b 1.50d .12, Stil, Pl, 2-29
 Washer, Flat, 1.15b 1.75d .08, Stil, 2-11
 Washer, Flat, 1.26b 1.88d .13, Stil, 3-11
 Washer, Flat, 1.26B 1.88D .13, Stil, Pl, 2-5, 2-55
 Washer, Flat, 1.39b 2.12d .13, Stil, 2-39
 Washer, Flat, 10, 2-29, 3-25, 3-35, 3-36, 3-37, 3-38, 3-39
 Washer, Flat, 10, Ss, 2-29, 2-43, 3-17, 3-21, 3-31, 3-43, 3-53, 3-63
 Washer, Flat, 2.16b 3.50d .16, Felt, 2-39
 Washer, Flat, Belleville, .25, 2-75, 2-79
 Washer, Flat, Belleville, .31, 2-29, 2-85, 2-91, 3-9
 Washer, Flat, Belleville, .38, 2-47, 2-67, 2-75, 2-79
 Washer, Flat, Belleville, .50, 2-75, 2-79, 2-93
 Washer, Flat, Belleville, M10, 2-51
 Washer, Flat, M21.0b X 37d X 3, 2-41
 Washer, Flat, Pump, Hyd, 4-7
 Washer, Lock, Int-Ext, 0.31, 2-65
 Washer, Lock, Int-Ext, 10, 2-19
 Washer, Lock, Int, #06, 2-53
 Washer, Lock, Int, #08, Ss, 2-55
 Washer, Lock, Int, 0.25, 3-25
 Washer, Lock, Int, 0.38, 2-29
 Washer, Lock, Int, 08, Ss, 4-19
 Washer, Lock, Split [Ku], 5-7, 5-23, 5-27
 Washer, Plain [Ku], 5-18, 5-21
 Washer, Pump, Hyd [En], 4-7
 Washer, Rbr, 4-3
 Washer, Sealing, 0.28b 0.75d Ss, Neo, 2-89
 Washer, Shaft, Rocker [Ku], 5-12
 Washer, Shld, Nyl [8-32], 2-11
 Washer, Thrust [Ku], 5-13
 Washer, Thrust, 0.34b 1.50d .06, 2-85, 2-91
 Washer, Thrust, 0.61b 1.25d .06, Fgl, 2-71, 2-73, 2-75, 2-77, 2-79
 Washer, Thrust, 0.79b 1.42d 0.06[Garlok], 2-15
 Washer, Thrust, 1.00b 1.75d 0.13w, Fbr, 3-9
 Washer, Thrust, 1.26b 1.97d 0.13, Bnz, 4-23
 Weight, Comp, Govnr [Ku], 5-13
 Weight, Eccentric, 2-53
 Wheel, 06.0D 2.00W 1.19B, Gray Rbr, 2-5, 2-55, 3-11
 Wheel, 3.0d 1.38w 0.50b, 1-1
 Wheel, 4.0d 0.89w 0.64b, 2-69
 Wheel, Steering, 14.4d, 2-15
 Wire, 10ga 16.0l Blk .25ring /38ring, 2-29
 Wire, Tie [W/.25" Fir Tree Clip], 2-5

Y

Yoke, 5-19

