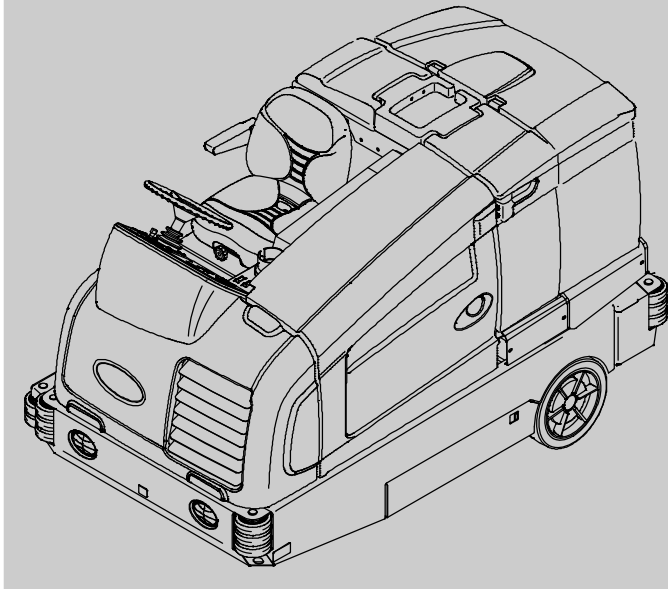
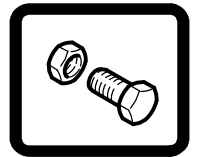




# T20

(Gas/LPG)

(S/N 008000- )  
**Rider Scrubber  
Parts Manual**



**The Safe Scrubbing Alternative<sup>®</sup>**

**ES<sup>®</sup> Extended Scrub System**

**TennantTrue<sup>®</sup> Parts**

**Hygenic<sup>®</sup> Fully Cleanable Tanks**

**FloorSmart<sup>®</sup> Integrated Cleaning System**

**IRIS<sup>®</sup> a Tennant Technology**

**Pro-Panel<sup>™</sup>**

**Insta-Fit<sup>™</sup> Adapter**



## North America / International

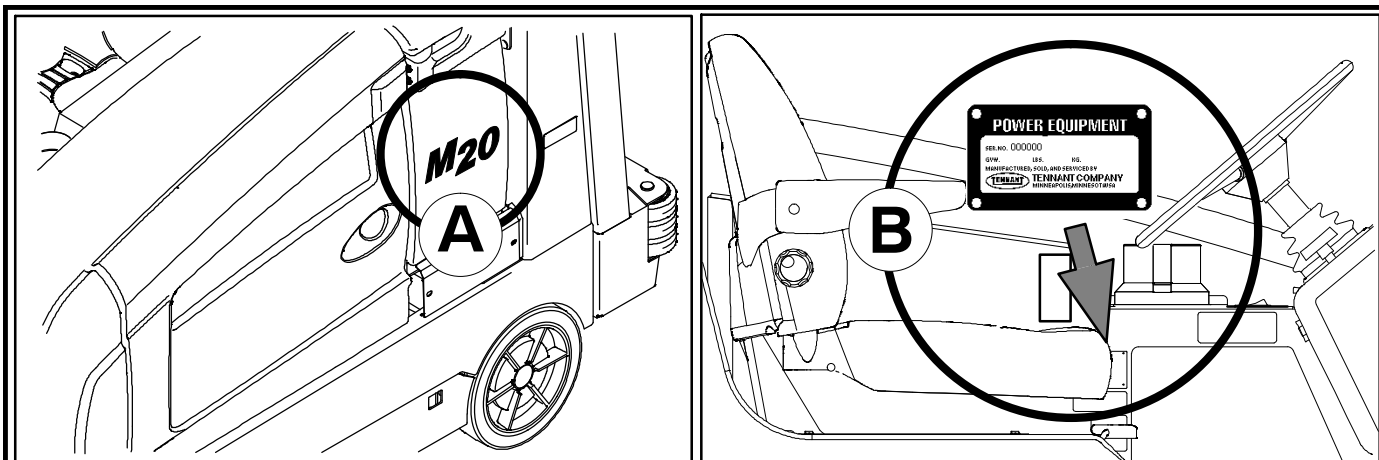


For the latest Parts manuals and other language Operator manuals, visit:

[www.tennantco.com/manuals](http://www.tennantco.com/manuals)

9016201  
Rev. 06 (11-2020)





Ref	Part No.	Serial Number	Description	Qty.
1	82681	(000000— )	Bracket Wldt, Lpg Mount	1
2	63810	(000000— )	Latch Assy, Lpg Tank Mtg, W/Nut	4
3	51839	(000000— )	Nut Adjustable, Lpg Tank Mtg	2
4	49263	(000000— )	Tie, Cable	3
5	82556	(000000—001039)	Bracket, Vaporizer	1
6	54930	(000000— )	Vaporizer, LPG	1

**HOW TO ORDER PARTS – See diagram above**

Only use TENNANT Company supplied or equivalent parts. Parts and supplies may be ordered online, by phone, by fax or by mail.

Follow the steps below to ensure prompt delivery.

1. **(A)** Identify the machine model.
2. **(B)** Identify the machine serial number from the data plate.
3. **(C)** Ensure the proper serial number is used from the parts list.
4. Identify the part number and quantity. Do not order by page or reference numbers.
5. Provide your name, company name, customer ID number, billing and shipping address, phone number and purchase order number.
6. Provide detail shipping instructions.

**(D)** ▽ – Identifies an assembly  
 ▲ – Identifies parts included in assembly

**EN**

**Please fill out at time of installation for future reference.**

Model No. – \_\_\_\_\_

Serial No. – \_\_\_\_\_

Machine Options – \_\_\_\_\_

Sales Rep. – \_\_\_\_\_

Sales Rep. phone no. – \_\_\_\_\_

Customer ID Number – \_\_\_\_\_

Installation Date – \_\_\_\_\_

**Tennant Company**  
 10400 Clean Street  
 Eden Prairie, MN 55344-2650  
 Phone: (800) 553-8033 or (763) 513-2850  
 www.tennantco.com

Thermo-Sentry, Touch-N-Go, 1-STEP, Clean-Wedge, Variable Drain Valve, EasyOpen, Grip-N-Go, MaxPro2, Dura-Track, SmartRelease, InstantAccess, Duramer, FaST-PAK, ErgoSpace and Lower Total Cost of Ownership are trademarks of Tennant Company.

Specifications and parts are subject to change without notice.

Original Information, copyright © 2016, 2017, 2018, 2019, 2020 TENNANT Company, Printed in U.S.A.

<b>CN</b>	<p><b>如何订购部件 - 参见下表</b></p> <p>仅使用 TENNANT 公司提供的或同等部件。部件和供应可以在线订购，通过电话、传真或邮件订购。请遵循下面的步骤确保及时交付。</p> <ol style="list-style-type: none"> <li>1. <b>(A)</b> 确定机器型号。</li> <li>2. <b>(B)</b> 从数据标签确定机器序列号。</li> <li>3. <b>(C)</b> 确保使用部件列表中的正确序列号。</li> <li>4. 确定部件号和数量。 不要按页面或参考编号订购。</li> <li>5. 提供您的姓名、公司名称、客户 ID 号、付帐和送货地址、电话号码和采购单编号。</li> <li>6. 提供详细的送货说明。</li> </ol> <hr/> <p><b>(D)</b> ▽ - 确定组件 ▲ - 确定组件中包含的组件</p>	<p><b>请在安装时填写供未来参考。</b></p> <p>型号 - _____</p> <p>序列号 - _____</p> <p>机器选项 - _____</p> <p>销售代表 - _____</p> <p>销售代表电话号码 - _____</p> <p>客户 ID 编号 - _____</p> <p>安装日期 - _____</p>
-----------	--	--

<b>ES</b>	<p><b>CÓMO SOLICITAR PIEZAS - Consulte el diagrama anterior.</b></p> <p>Utilice sólo las piezas suministradas por TENNANT Company o piezas equivalentes. Puede solicitar las piezas a través de internet, por teléfono, por fax o por correo.</p> <p>Siga los siguientes pasos para que la entrega sea rápida.</p> <ol style="list-style-type: none"> <li>1. <b>(A)</b> Indique el modelo de máquina.</li> <li>2. <b>(B)</b> Indique el número de serie de la etiqueta de datos.</li> <li>3. <b>(C)</b> Asegúrese de que indica el número de serie correcto de la lista de piezas.</li> <li>4. Indique la cantidad y el número de la pieza. No realice el pedido indicando el número de página o el de referencia.</li> <li>5. Incluya su nombre, el nombre de la empresa, el ID de cliente, las direcciones de envío y facturación, el número de teléfono y el número del pedido de compra.</li> <li>6. Facilite instrucciones de envío.</li> </ol> <hr/> <p><b>(D)</b> ▽ - identifica un conjunto ▲ - identifica piezas de un conjunto</p>	<p><b>Rellene estos datos cuando realice la instalación para utilizarlos como referencia en el futuro.</b></p> <p>Nº modelo - _____</p> <p>Nº serie - _____</p> <p>Opciones de la máquina - _____</p> <p>Vendedor - _____</p> <p>Nº teléfono vendedor - _____</p> <p>Nº cliente - _____</p> <p>Fecha de instalación - _____</p>
-----------	--	---

<b>FR</b>	<p><b>COMMENT COMMANDER DES PIÈCES DÉTACHÉES - Voir le schéma ci-dessus.</b></p> <p>Utilisez uniquement des pièces fournies par la société TENNANT ou équivalentes. Les pièces et fournitures peuvent être commandées en ligne, par téléphone, fax, ou par courrier.</p> <p>Suivez les étapes ci-dessous pour assurer une livraison rapide.</p> <ol style="list-style-type: none"> <li>1. <b>(A)</b> Identifiez le modèle de la machine.</li> <li>2. <b>(B)</b> Identifiez le numéro de série de la machine, à partir de l'étiquette signalétique.</li> <li>3. <b>(C)</b> Assurez-vous que le numéro de série correct est utilisé à partir de la liste de pièces détachées.</li> <li>4. Identifiez le numéro de pièce et la quantité. Ne commandez pas par page ou numéros de référence.</li> <li>5. Fournissez votre nom, le nom de votre société, votre numéro d'identification de client, l'adresse de facturation et d'expédition, le numéro de téléphone et le numéro du bon de commande.</li> <li>6. Fournissez des instructions d'expédition détaillées.</li> </ol> <hr/> <p><b>(D)</b> ▽ - identifie un assemblage ▲ - identifie les pièces composant l'assemblage</p>	<p><b>A remplir au moment de l'installation à titre de référence.</b></p> <p>Nº du modèle - _____</p> <p>Nº de série - _____</p> <p>Options de la machine - _____</p> <p>Agent commercial - _____</p> <p>Nº tél. de l'agent commercial - _____</p> <p>Numéro d'identification client - _____</p> <p>Date d'installation - _____</p>
-----------	--	---

<b>JP</b>	<p><b>パーツの発注方法 ? 上記の図を参照してください</b></p> <p>TENNANT社製のパーツまたは同等品のみをお使いください。パーツやサプライ品のご注文は、オンライン、電話、FAX、または手紙でお願いいたします。確実にお届けできるように、以下の情報お知らせください。</p> <ol style="list-style-type: none"> <li>1. <b>(A)</b> 製品のモデル名をお知らせください。</li> <li>2. <b>(B)</b> 製品のデータラベルに印刷されているシリアル番号をお知らせください。</li> <li>3. <b>(C)</b> パーツリストを参照して、シリアル番号が正しいかご確認ください。</li> <li>4. パーツ番号と数量をお知らせください。マニュアル/カタログのページ番号や参照番号でのご注文はご遠慮ください。</li> <li>5. お客様のお名前、会社名、顧客ID番号、請求/発送先住所、電話番号、注文書番号をお知らせください。</li> <li>6. 発送に関するご希望があれば、明記してください。</li> </ol> <hr/> <p><b>(D)</b> ▽ - アセンブリを示します ▲ - アセンブリに含まれるパーツを示します</p>	<p><b>後日確認できるように、設置時に記入してください。</b></p> <p>モデルNo. - _____</p> <p>シリアルNo. - _____</p> <p>製品のオプション - _____</p> <p>販売代理店 - _____</p> <p>販売代理店の電話番号 - _____</p> <p>顧客ID番号 - _____</p> <p>設置日 - _____</p>
-----------	---	---



# GENERAL RECOMMENDED MAINTENANCE

T20 – G/LP

## General Recommended Maintenance Items

Ref.	Part No.	Serial Number	Description	Qty.
▽	9002555	(008000–	) Maint Kit, Gas, 800hr[M20/T20]	1
▲	31613	(008000–	) Strainer, Hyd, 25 Gpm 100 Mesh	1
▲	25122	(008000–	) Cap, Breather, Hyd, 2.4 Ds	1
▲	1021579	(008000–	) Filter Assy, Hyd, 10mic	1
▲	372440	(008000–	) Filter, Fuel [Gm 1.6/3.0]	1
▽	9007381	(008000–	) Maint Kit, 800hr [M20/T20/M30 Lpg 2010]	1
▲	31613	(008000–	) Strainer, Hyd, 025gpm 100mesh 03psi	1
▲	25122	(008000–	) Cap, Breather, Hyd, 2.4 Ds	1
▲	1021579	(008000–	) Filter Assy, Hyd, 10mic	1
▲	9007380	(008000–	) Filter Kit, Fuelock, Lpg	1
	393982	(006000–	) Element, Fitr, Oil, Spin-On (Mits)	1
	1027290	(008000–	) Filter, Soltn, 20mesh, Pm12 3.1d 02.6l	1
	87866	(008000–	) Key, Ignition [Set Of 2]	1
	10137	(008000–	) Battery, Wet, 12vdc 0475cca	1
	20833	(008000–	) Wheel, 3.0d 1.38w 0.50b	2
	1033644	(008000–	) Belt, Ribbed, 38.5l	1
	1024586	(008000–	) Skirt, Neo, .06, 06.85w 27.95l, 08 Hole	2
	1019295	(008000–	) Skirt, Neo, .18, 10.37w 27.95l, 12 H&S	2
	1020166	(008000–	) Skirt, Neo, .06, 12.00w 45.88l, 07 Hole	1
	1022009	(008000–	) Skirt, Neo, .06, 06.38w 40.86l, 06 Hole	1
	1022007	(008000–	) Skirt, Rbr, .37, 04.50w 40.94l, 06 Hole	1
	1017868	(008000–	) Blade, Sqge, Front [Linard]	1
	1031331	(008000–	) Blade, Sqge, Rear, Linatex	1
	83874	(008000–	) Gasket, Sqge	2
	1031011	(008000–	) Blade, Sqge, 37.08l Linatex	2
	1027719	(008000–	) Blade, Sqge, Front, 49.59l Pyu	1
	1031945	(008000–	) Blade, Sqge, Rear, 53.78L Pyu	1
	1031823	(008000–	) Blade, Sqge, .38 3.55w 038.3l, Ure	2
	9014160	(008000–	) Plug, Spark	4
	1059091	(008000–	) Blade, Sqge, Side Brush, Urethane	1
	1059092	(008000–	) Blade, Sqge, Side Brush, Urethane	1
	1046980	(008000–	) Blade, Sqge, Side Brush, Linatex	1
	1047238	(008000–	) Blade, Sqge, Side Brush, Linatex	1
	16411	(008000–	) Paint, Airdry, Off-White, 12oz	1
	16412	(008000–	) Paint, Airdry, Teal, 12oz, Solid	1
	377540	(008000–	) Paint, Airdry, Blk, 12oz	1
	377538	(008000–	) Paint, Airdry, Gray, 12oz [Enamel]	1
	377537	(008000–	) Paint, Airdry, Iron Gray,12oz[Pwdr Coat]	1
	1057710	(008000–	) Oil, Hyd [El, Iso 100, 01gal]	1
	1057711	(008000–	) Oil, Hyd [El, Iso 100, 05gal]	1
	1069019	(008000–	) Oil, Hyd [El, Iso 68, 01gal]	1
	1069020	(008000–	) Oil, Hyd [El, Iso 68, 05gal]	1
	1057707	(008000–	) Oil, Hyd [El, Iso 32, 01gal]	1
	1057708	(008000–	) Oil, Hyd [El, Iso 32, 05gal]	1



**SECTION 2**

<b>Contents</b>	<b>Page</b>
Fig. 1 – Brushes, Replacement, Scrub Head	2-2
Fig. 2 – Brushes, Replacement, Side Brush	2-5
Fig. 3 – Main Frame Group	2-6
Fig. 4 – Operator Station Group	2-8
Fig. 5 – Operator Station Insulation Group	2-10
Fig. 6 – Instrument Panel Group	2-12
Fig. 7 – Seat Group	2-14
Fig. 8 – Steering Group	2-16
Fig. 9 – Front Cover Group	2-18
Fig. 10 – Engine Cover Group	2-20
Fig. 11 – Mitsubishi Engine and Mount Group, Gas	2-22
Fig. 12 – Mitsubishi Engine and Mount Group, LPG	2-24
Fig. 13 – Mitsubishi Engine EFI Group, Gasoline	2-26
Fig. 14 – Mitsubishi Engine EFI Group, LPG	2-28
Fig. 15 – Mitsubishi Engine Air Cleaner Group, Gasoline	2-30
Fig. 16 – Mitsubishi Engine Air Cleaner Group, LPG	2-32
Fig. 17 – Mitsubishi Engine Alternator and Fan Group	2-34
Fig. 18 – Mitsubishi Engine Muffler Group	2-36
Fig. 19 – Mitsubishi Engine Radiator and Mount Group	2-38
Fig. 20 – Mitsubishi Engine Radiator Hose Group	2-40
Fig. 21 – Engine Fuel Tank Group, Gasoline	2-42
Fig. 22 – Engine Fuel Tank Group, LPG	2-44
Fig. 23 – Battery and Electrical Group	2-46
Fig. 24 – Wheel Group, Front Drive	2-48
Fig. 25 – Wheel Group, Rear	2-50
Fig. 26 – Brake Pedal Linkage Group	2-52
Fig. 27 – Directional Pedal Group	2-54
Fig. 28 – Hydraulic Pump Linkage Group	2-56
Fig. 29 – Cylindrical Scrub Brush Drive Group, Left Side	2-58
Fig. 30 – Cylindrical Scrub Brush Drive Group, Right Side	2-60
Fig. 31 – Cylindrical Scrub Brush Head Lift Group	2-62
Fig. 32 – Cylindrical Brush Head Skirt Group	2-64
Fig. 33 – Disk Scrub Head Drive Motor Group	2-66
Fig. 34 – Disk Scrub Head Lift Group	2-68
Fig. 35 – Squeegee Lift Group, Rear	2-70
Fig. 36 – Squeegee Group, Rear	2-72
Fig. 37 – Cylindrical Scrub Head Debris Tray Mount Group	2-74
Fig. 38 – Cylindrical Scrub Head Debris Tray Group	2-76

<b>Contents</b>	<b>Page</b>
Fig. 39 – Squeegee Linkage Group, Rear	2-78
Fig. 40 – Squeegee Group, Right Side	2-80
Fig. 41 – Squeegee Lift Group, Right Side	2-82
Fig. 42 – Squeegee Group, Left Side	2-84
Fig. 43 – Squeegee Lift Group, Left Side	2-86
Fig. 44 – Solution Tank Group	2-88
Fig. 45 – Solution Tank Drain Group	2-92
Fig. 46 – Solution Control Group	2-94
Fig. 47 – Solution Control Group, Disk Scrub Head	2-96
Fig. 48 – Recovery Tank Group	2-98
Fig. 49 – Recovery Tank Drain Group	2-100
Fig. 50 – Vacuum Fan Group, Scrubbing	2-102
Fig. 51 – Hydraulic Schematic	2-104
Fig. 52 – Hydraulic Hose Group, Steering and Propel	2-106
Fig. 53 – Hydraulic Hose Group, Pump and Vacuum Fan	2-108
Fig. 54 – Hydraulic Hose Group, Cylindrical Brush	2-110
Fig. 55 – Hydraulic Hose Group, Disk Brush	2-112
Fig. 56 – Hydraulic Hose Group, Squeegee Lift	2-114
Fig. 57 – Hydraulic Pumps Group	2-116
Fig. 58 – Hydraulic Cooler and Tubes Group	2-118
Fig. 59 – Hydraulic Reservoir Group	2-120
Fig. 60 – Hydraulic Valve Group	2-122
Fig. 61 – Electrical Schematic	2-124
Fig. 62 – Mitsubishi Electrical Schematic, Gas Engine Harness	2-132
Fig. 63 – Mitsubishi Electrical Schematic, LPG Engine Harness	2-134
Fig. 64 – Electrical Wire Harness Group, Main	2-136
Fig. 65 – Electrical Wire Harness Group, Headlight	2-143
Fig. 66 – Electrical Wire Harness Group, Gasoline/LPG Engine	2-144
Fig. 67 – Label Group	2-145

Fig. 1 – Brushes, Replacement, Scrub Head

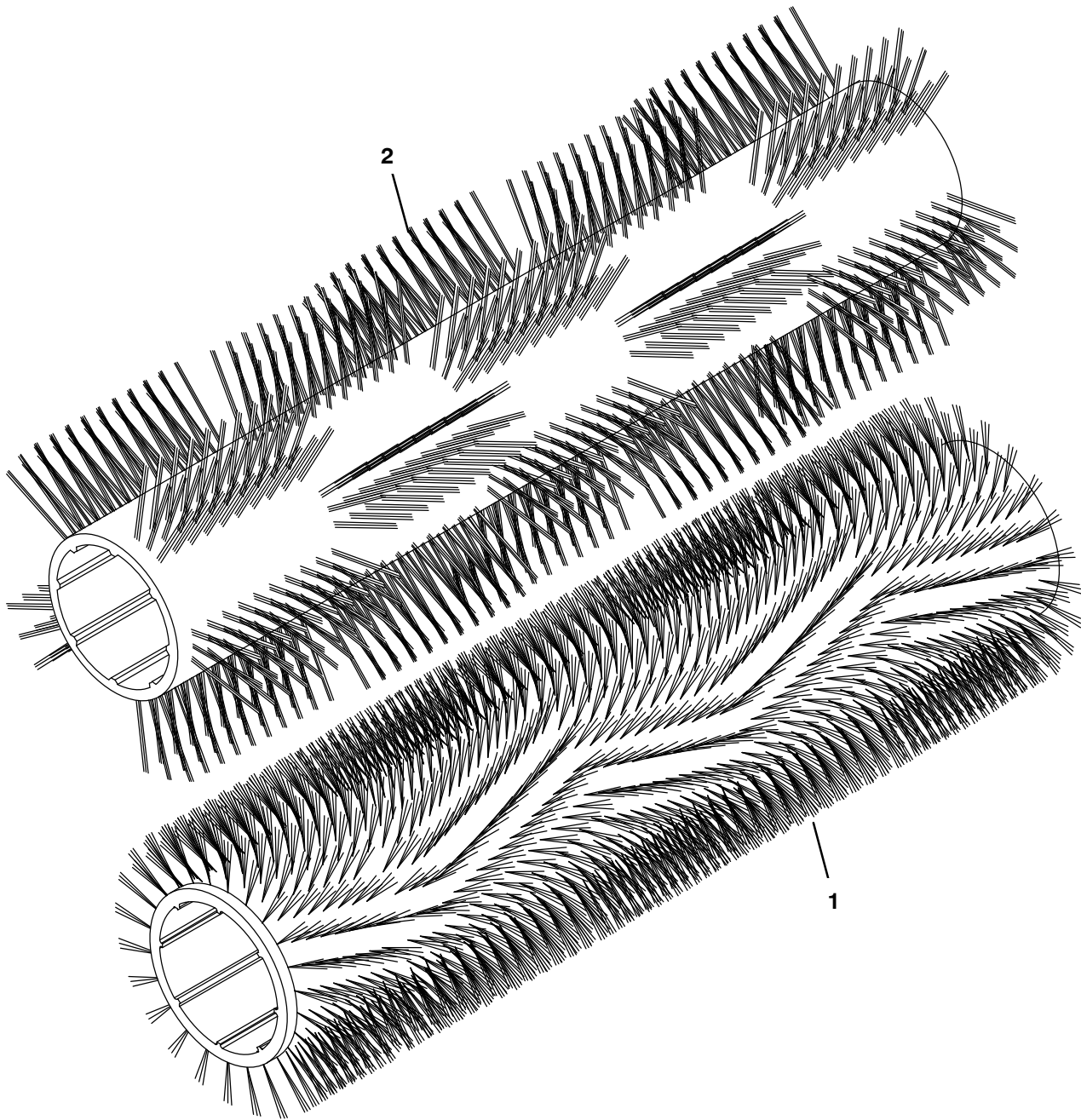
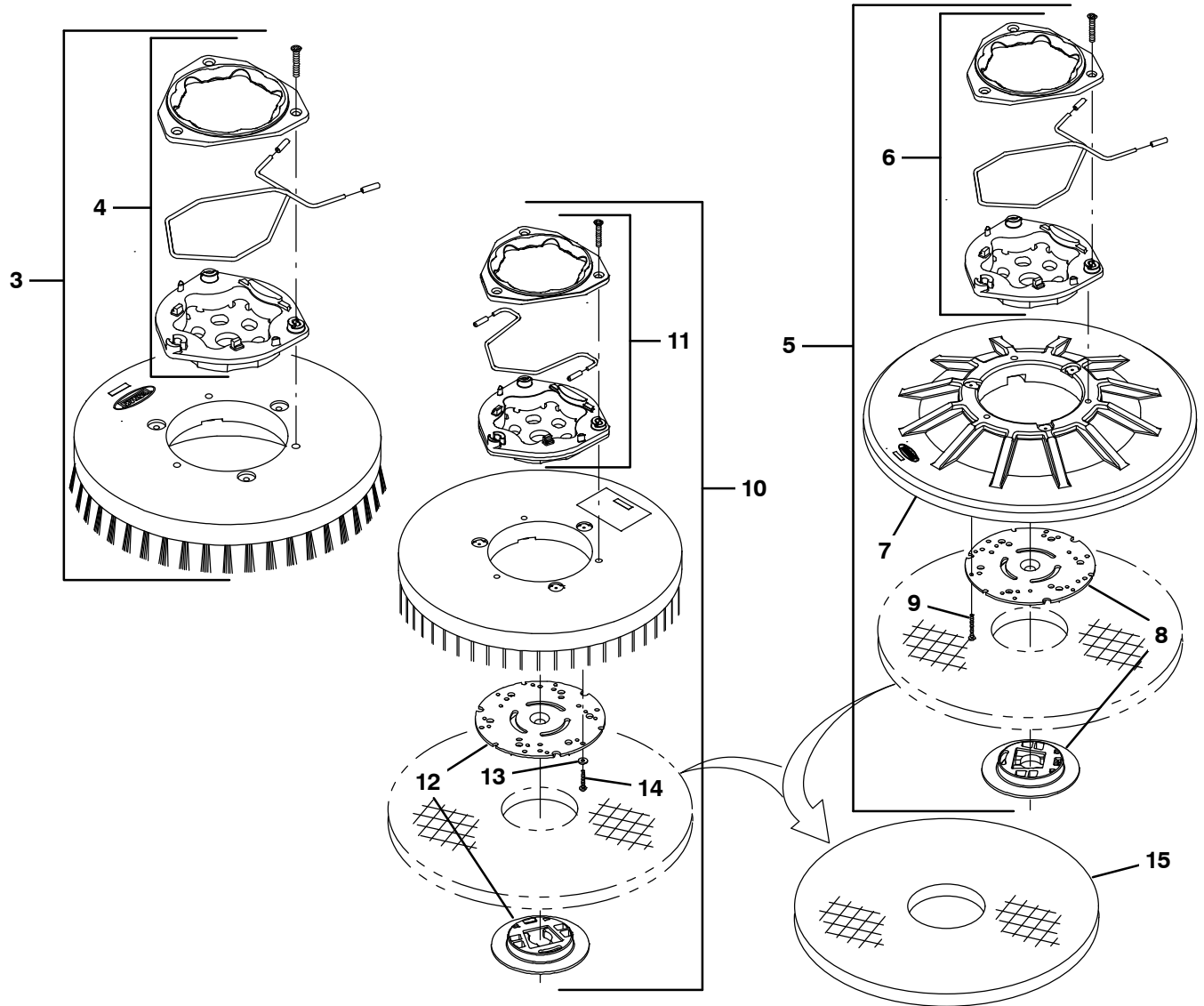




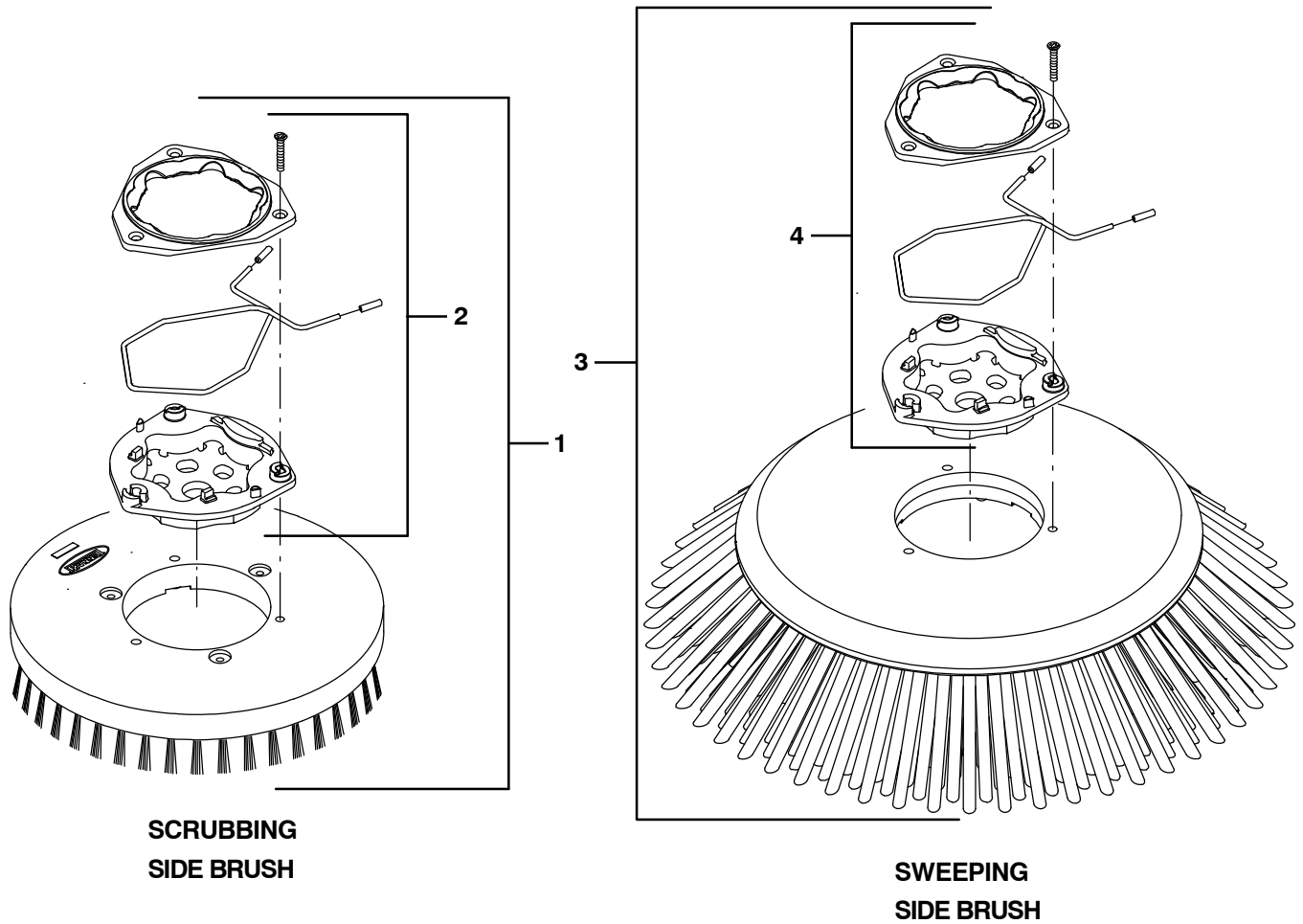
Fig. 1 – Brushes, Replacement, Scrub Head



**Fig. 1 – Brushes, Replacement, Scrub Head**

<b>Ref.</b>	<b>Part No.</b>	<b>Serial Number</b>	<b>Description</b>	<b>Qty.</b>
1	1026223	(008000–	) Brush, Sweep / Scb, 40L, Polypropylene, Spiral	2
1	1252156	(008000–	) Brush, Sweep / Scb, 40L, 24Sr, Super Abrasive, Spiral	2
1	1027697	(008000–	) Brush, Sweep / Scb, 40L, Polyester, Spiral	2
1	1030969	(008000–	) Brush, Sweep / Scb, 40L, Heavy Duty, Polypropylene, Spiral	2
2	1040524	(008000–	) Brush, Sweep / Scb, 40L, Window, Polypropylene, Spiral	2
2	1059640	(008000–	) Brush, Sweep / Scb, 40L, Window, Super Abrasive, Spiral	1
▽	3	1220237	(008000–) Brush Assy, Disk, Scb, 14.0d, Polypropylene	3
▲	4	9014662	(008000–) Brush Kit, Hub Assy, Drive, Ci [Hdpe In]	1
▽	3	1220238	(008000–) Brush Assy, Disk, Scb, 14.0d, Nylon	3
▲	4	9014662	(008000–) Brush Kit, Hub Assy, Drive, Ci [Hdpe In]	1
▽	3	1220239	(008000–) Brush Assy, Disk, Scb, 14.0d, Super Abrasive	3
▲	4	9014662	(008000–) Brush Kit, Hub Assy, Drive, Ci [Hdpe In]	1
▽	5	1220198	(008000–) Driver Assy, Pad, 14.0d	3
▲	6	9014666	(008000–) Brush Kit, Hub Assy, Drive, Ci [Uhmw]	1
▲	7	397974	(008000–) Disk, Driver, Pad, W/ Face, 14.0d	1
▲	8	370095	(008000–) Device, Centering, Clip On, TI [Gf Pp]	1
▲	9	09198	(008000–) Screw, Pan, M4 X 0.7 X 35, Ss	3
▽	10	1220221	(008000–) Driver Assy, Pad, 14.0d, Brush	3
▲	11	9014667	(008000–) Brush Kit, Hub Assy, Drive, Ci [Comm]	1
▲	12	370095	(008000–) Device, Centering, Clip On, TI [Gf Pp]	1
▲	13	41579	(008000–) Washer, Flat, #08, Ss	3
▲	14	04403	(008000–) Screw, Pan, M4 X 0.7 X 25, Ss, NI	3
	15	222324	(008000–) Pad, Polish, 14.0d, White [1pad=1pc]	3
	15	222325	(008000–) Pad, Buff, 14.0d, Red	3
	15	222326	(008000–) Pad, Scb, 14.0d, Blu [1pad=1pc]	3
	15	222327	(008000–) Pad, Stripping, 14.0d, Brown [1pad=1pc]	3
	15	1051026	(008000–) Pad, Surf Prep, 14.0D Maroon, [1PICK=1PAD]	3
	15	370091	(008000–) Pad, High Productivity Stripping, 14.0d, Blk	3

Fig. 2 – Brushes, Replacement, Side Brush



SCRUBBING  
SIDE BRUSH

SWEEPING  
SIDE BRUSH

354584 -NA, M20, T20

	Ref.	Part No.	Serial Number	Description	Qty.
▽	1	1220235	(008000-	) Brush Assy, Disk, Scb, 16.0d, Nylon	1
▲	2	9014662	(008000-	) Brush Kit, Hub Assy, Drive, Ci [Hdpe In]	1
▽	1	1220236	(008000-	) Brush Assy, Disk, Scb, 16.0d, Heavy Duty Polypropylene	1
▲	2	9014662	(008000-	) Brush Kit, Hub Assy, Drive, Ci [Hdpe In]	1
▽	1	1221543	(008000-	) Brush Assy, Disk, Scb, 16.0d, Super Abrasive	1
▲	2	9014662	(008000-	) Brush Kit, Hub Assy, Drive, Ci [Hdpe In]	1
▽	3	1220185	(008000-	) Brush Assy, Disk, Swp, 24.0d, Polypropylene	1
▲	4	9014666	(008000-	) Brush Kit, Hub Assy, Drive, Ci [Uhmw]	1

**Fig. 3 – Main Frame Group**

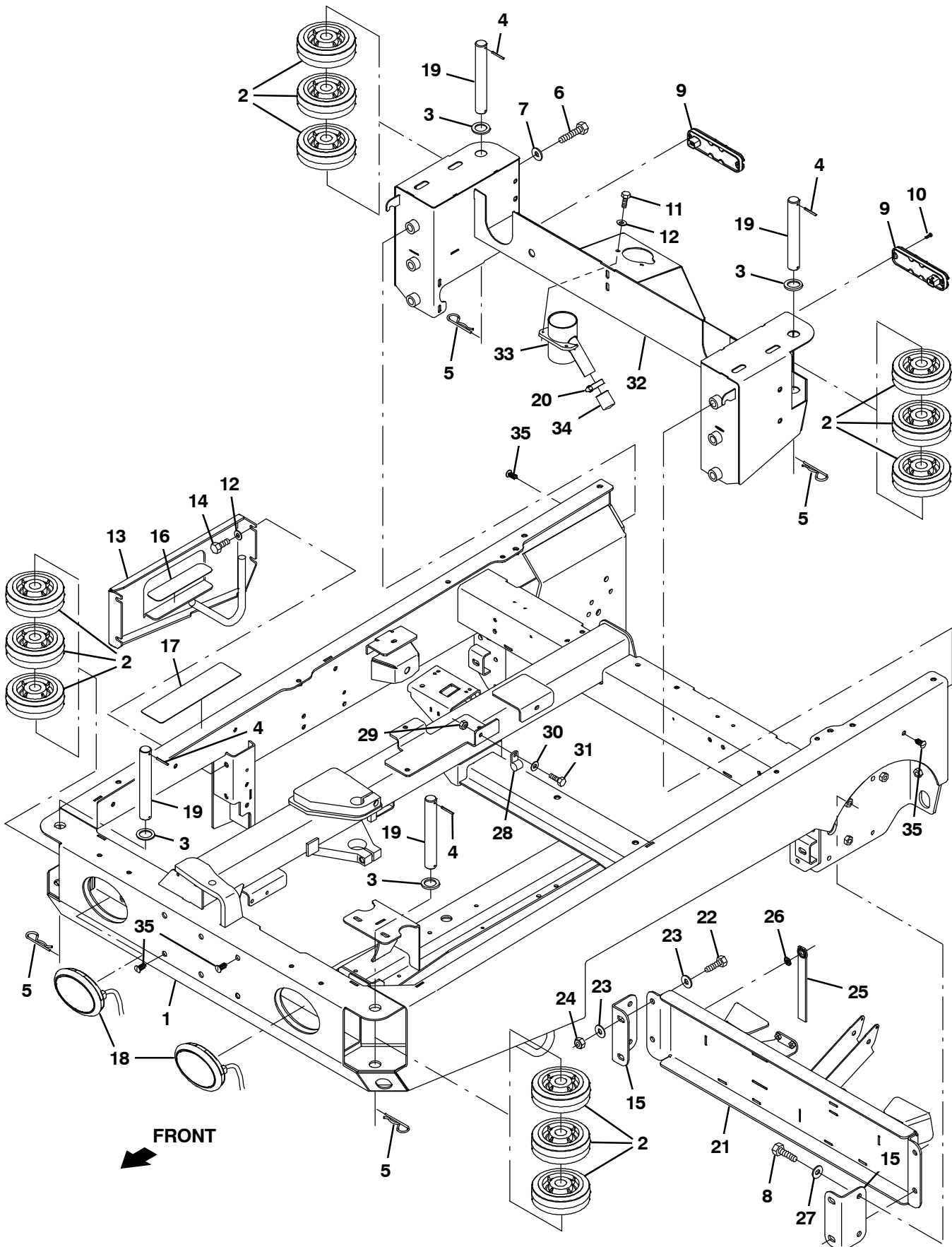


Fig. 3 – Main Frame Group

Ref.	Part No.	Serial Number	Description	Qty.
1	9002401	(008000–	) Frame Wldt, Main, Replmt [M20 & T20]	1
2	1060130	(008000–	) Wheel, 06.0D 2.00W 1.19B, Gray Rbr	12
3	1062566	(008000–	) Washer, Flat, 1.26B 1.88D .13, Stl, Pl	4
4	1053838	(008000–	) Pin, 30mmd X 215mml	4
5	34411	(008000–	) Pin, Cotter, Hair, 1.00d .178 Wir	4
6	06971	(008000–	) Screw, Hex, M12 X 1.75 X 50, 8.8	6
7	32493	(008000–	) Washer, Flat, 0.50, Std	6
8	12309	(008000–	) Screw, Hex, M12 X 1.75 X 30, Ss	4
9	1018208	(008000–	) Light, Tail, 12vdc	2
10	06928	(008000–	) Screw, Pan, M4 X 0.70 X 20, 4.8	4
11	09740	(008000–	) Screw, Hex, M8 X 1.25 X 20, Ss	2
12	01686	(008000–	) Washer, Flat, 0.44b 1.00d .08, Ss	6
13	1027916	(008000–	) Panel Wldt, Filler	1
14	12317	(008000–	) Screw, Hex, M10 X 1.5 X 30, Ss	4
15	1025254	(008000–	) Bracket, Mtg, Sqge, Disk Head (Disk Scrub Head)	2
16	363458	(008000–	) Tread, Non–Skid, 01.9w 08.0l	1
17	58819	(008000–	) Tread, Non–Skid, 03.0w 11.6l	1
18	1075367	(008000–	) Headlight, 12Vdc, Oval, Led	2
19	23146	(008000–	) Pin, Roll, .187d X 1.62l, .187/.192	4
20	11399	(008000–	) Clamp, Hose, Wormdrive, 0.81–1.50d, .50w (Disk Scrub Head)	1
21	1027269	(008000–	) Crossmember Wldt, Sqge (Disk Scrub Head)	1
22	77347	(008000–	) Screw, Hex, M10 X 1.5 X 35, Ss (Disk Scrub Head)	4
23	32492	(008000–	) Washer, Flat, 0.38, Std (Disk Scrub Head)	8
24	08714	(008000–	) Nut, Hex, Lock, M10 X 1.5, NI, Ss (Disk Scrub Head)	4
25	71579	(008000–	) Strap, Static, W/Grommet, .19 1.1w 25.0l (Disk Scrub Head)	1
26	41141	(008000–	) Washer, Lock, Int–Ext, 0.31 (Disk Scrub Head)	1
27	32493	(008000–	) Washer, Flat, 0.50, Std (Disk Scrub Head)	4
28	53466	(008000–	) Clamp, Cable, Stl, 1.50d X 1.00w, 1hole	1
29	08709	(008000–	) Nut, Hex, Lock, M8 X 1.25, NI	1
30	32491	(008000–	) Washer, Flat, 0.31, Std	1
31	39277	(008000–	) Screw, Hex, M8 X 1.25 X 25, 8.8	1
32	1039091	(008000–	) Bumper Wldt, Rear	1
33	1036240	(008000–	) Tube, Vacuum	1
34	1038498	(008000–	) Grip, Handle, 1.25D 1.50L Blk	1
35	1055605	(008000–	) Plug, Hole, Rnd, 0.38h .4–.7, Blk Nyl	12

Fig. 4 - Operator Station Group

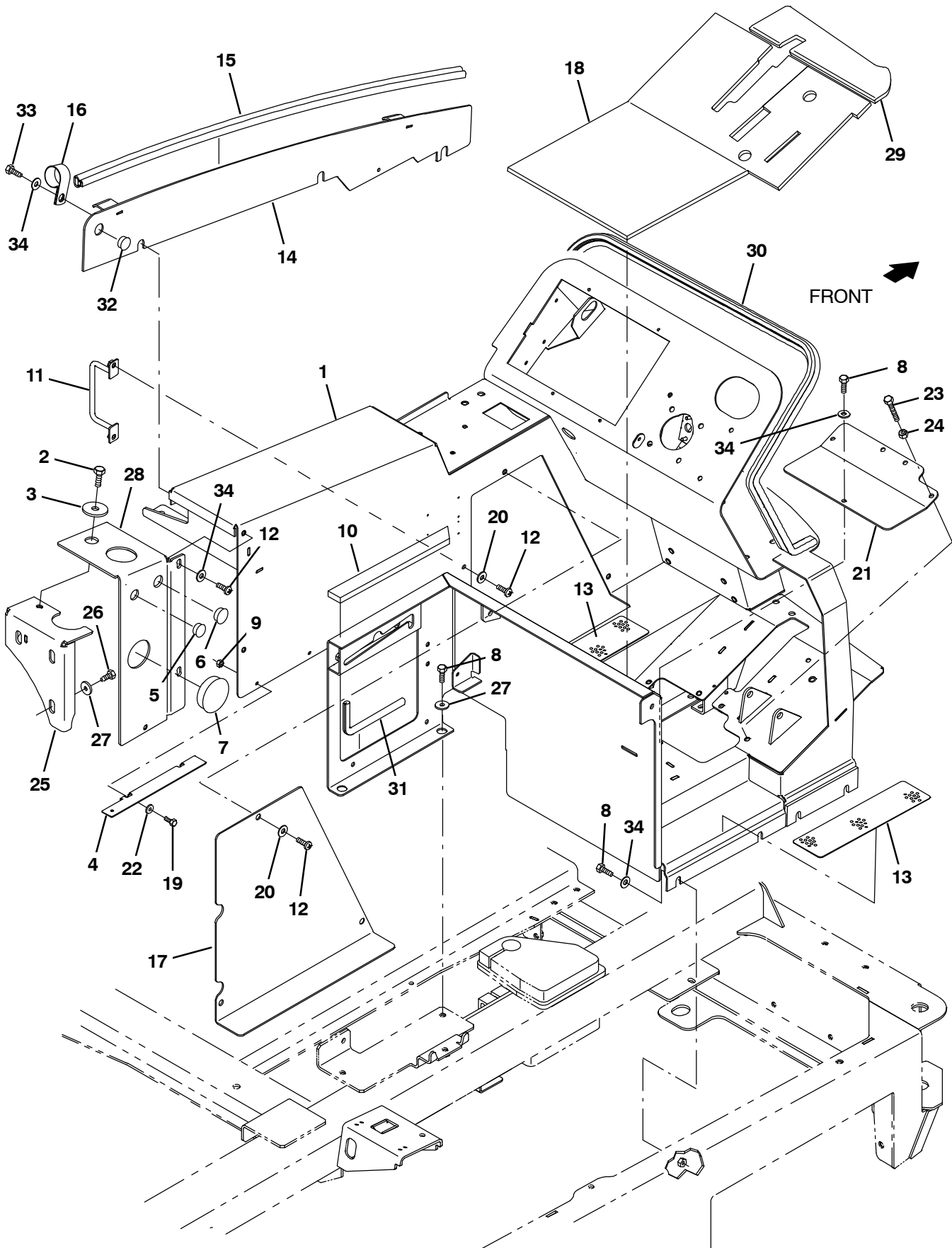


Fig. 4 – Operator Station Group

Ref.	Part No.	Serial Number	Description	Qty.
1	9016324	(008000– )	Panel Wldt, Gas, Replmt	1
1	9016320	(008000– )	Panel Wldt, Gas, Replmt [W/Fast]	1
1	9016321	(008000– )	Panel Wldt, Gas, W/ Es, Replmt	1
1	9016326	(008000– )	Panel Wldt, Gas, Replmt, TJ (Japan only)	1
1	9016329	(008000– )	Panel Wldt, Gas, Replmt, TJ [W/Fast] (Japan only)	1
1	9016332	(008000– )	Panel Wldt, Gas, Replmt, TJ, W/Es (Japan only)	1
1	9016335	(008000– )	Panel Wldt, LPG, Replmt	1
1	9016336	(008000– )	Panel Wldt, LPG, Replmt [W/Fast]	1
1	9016337	(008000– )	Panel Wldt, LPG, Replmt, W/Es	1
1	9016327	(008000– )	Panel Wldt, LPG, Replmt, TJ (Japan only)	1
1	9016330	(008000– )	Panel Wldt, LPG, Replmt, TJ [W/Fast] (Japan only)	1
1	9016333	(008000– )	Panel Wldt, LPG, Replmt, TJ, W/Es (Japan only)	1
2	39283	(008000– )	Screw, Hex, M10 X 1.5 X 25, 8.8	1
3	04414	(008000– )	Washer, Flat, 0.53b 1.88d .12, Stl, PI	1
4	1047169	(008000– )	Bracket, Mtg, Insulation	2
5	82727	(008000– )	Plug, Hole, Rnd, 0.88h .03–.12, Blk Nyl	1
6	01493	(008000– )	Plug, Hole, Rnd, 1.00h .03–.12, Blk Nyl	1
7	1030017	(008000– )	Plug, Hole, Rnd, 2.50h .03–.25, Blk Nyl	1
8	16931	(008000– )	Screw, Hex, M8 X 1.25 X 20, 8.8	12
9	08708	(008000– )	Nut, Hex, Lock, M6 X 1.00, NI	2
10	1047295	(008000– )	Seal, Foam, 0.50	1
11	1071616	(008000– )	Bracket Wldt, Mtg, Hose	1
12	1031665	(008000– )	Screw, Pan, M8 X 1.25 X 25, Blk	6
13	58819	(008000– )	Tread, Non-Skid, 03.0w 11.6l	4
14	1035832	(008000– )	Panel Wldt, Adj [2007]	1
15	1030593	(008000– )	Seal, Afmkt, Bulb, 90, 0.75d F/11ga 08ft	1
16	53466	(008000– )	Clamp, Cable, Stl, 1.50d X 1.00w, 1h	5
17	1021834	(008000– )	Panel, Access, Door	1
18	1027218	(008000– )	Mat, Floor	1
19	06942	(008000– )	Screw, Hex, M6 X 1.00 X 16, 8.8	2
20	39349	(008000– )	Washer, Flat, 0.31 Sae	5
21	1022699	(008000– )	Panel, Access, Floor	1
22	32490	(008000– )	Washer, Flat, 0.25, Std	2
23	363976	(008000– )	Screw, Hex, M8 X 1.25 X 60, 8.8, FI	1
24	39311	(008000– )	Nut, Hex, Std, M8 X 1.25	1
25	1035997	(008000– )	Bracket Wldt, Mtg, Tank	1
26	09740	(008000– )	Screw, Hex, M8 X 1.25 X 20, Ss	3
27	1017218	(008000– )	Washer, Flat, 0.32b 1.00d .12, Ss	5
28	1033975	(008000– )	Bracket, Mtg	1
29	1027267	(008000– )	Mat, Floor	1
30	1030593	(008000– )	Seal, Afmkt, Bulb, 90, 0.75d F/11ga 08ft	1
31	1020168	(008000– )	Molding, Afmkt, Trim, Pvc, .08 .11, 1ft	1
32	80288	(008000– )	Plug, Hole, Rnd, 0.81h, Blk	1
33	39277	(008000– )	Screw, Hex, M8 X 1.25 X 25, 8.8	6
34	32491	(008000– )	Washer, Flat, 0.31, Std	17

**Fig. 5 – Operator Station Insulation Group**

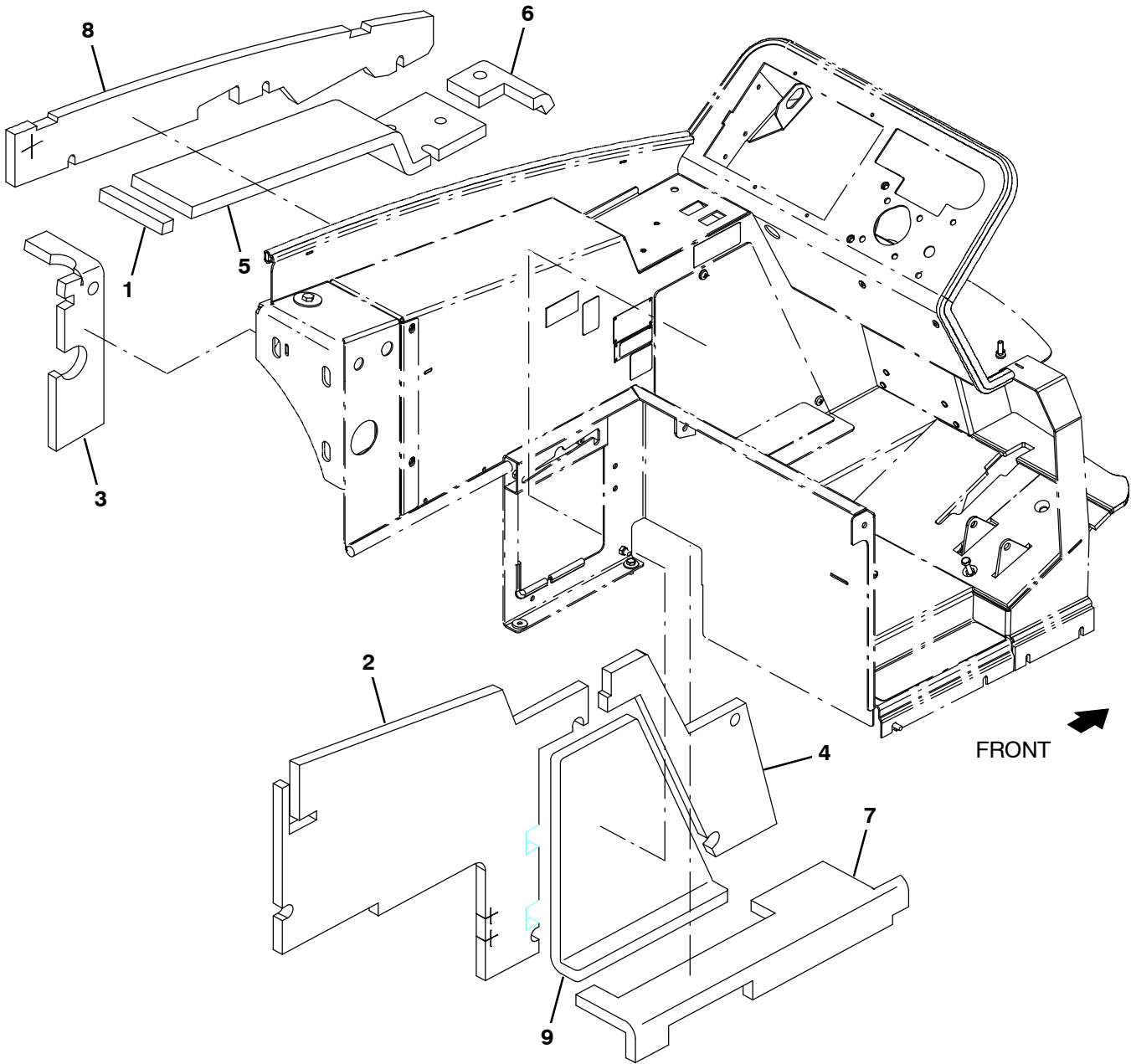




Fig. 5 – Operator Station Insulation Group

Ref.	Part No.	Serial Number	Description	Qty.
1	1034769	(008000–	) Insulation, Flame-retardant, 0.75–0.88	1
2	1034765	(008000–	) Insulation, Flame-retardant, 0.75–0.88	1
3	1040841	(008000–	) Insulation, Flame-Retardant, 0.75–0.88	1
4	1023464	(008000–	) Insulation, Flame-Retardant, 0.75–0.88	1
5	1034764	(008000–	) Insulation, Flame-retardant, 0.75–0.88	1
6	1034766	(008000–	) Insulation, Flame-retardant, 0.75–0.88	1
7	1034768	(008000–	) Insulation, Flame-retardant, 0.75–0.88	1
8	1034770	(008000–	) Insulation, Flame-retardant, 0.75–0.88	1
9	1023569	(008000–	) Insulation, Flame-Retardant, 0.75–0.88	1

Fig. 6 – Instrument Panel Group

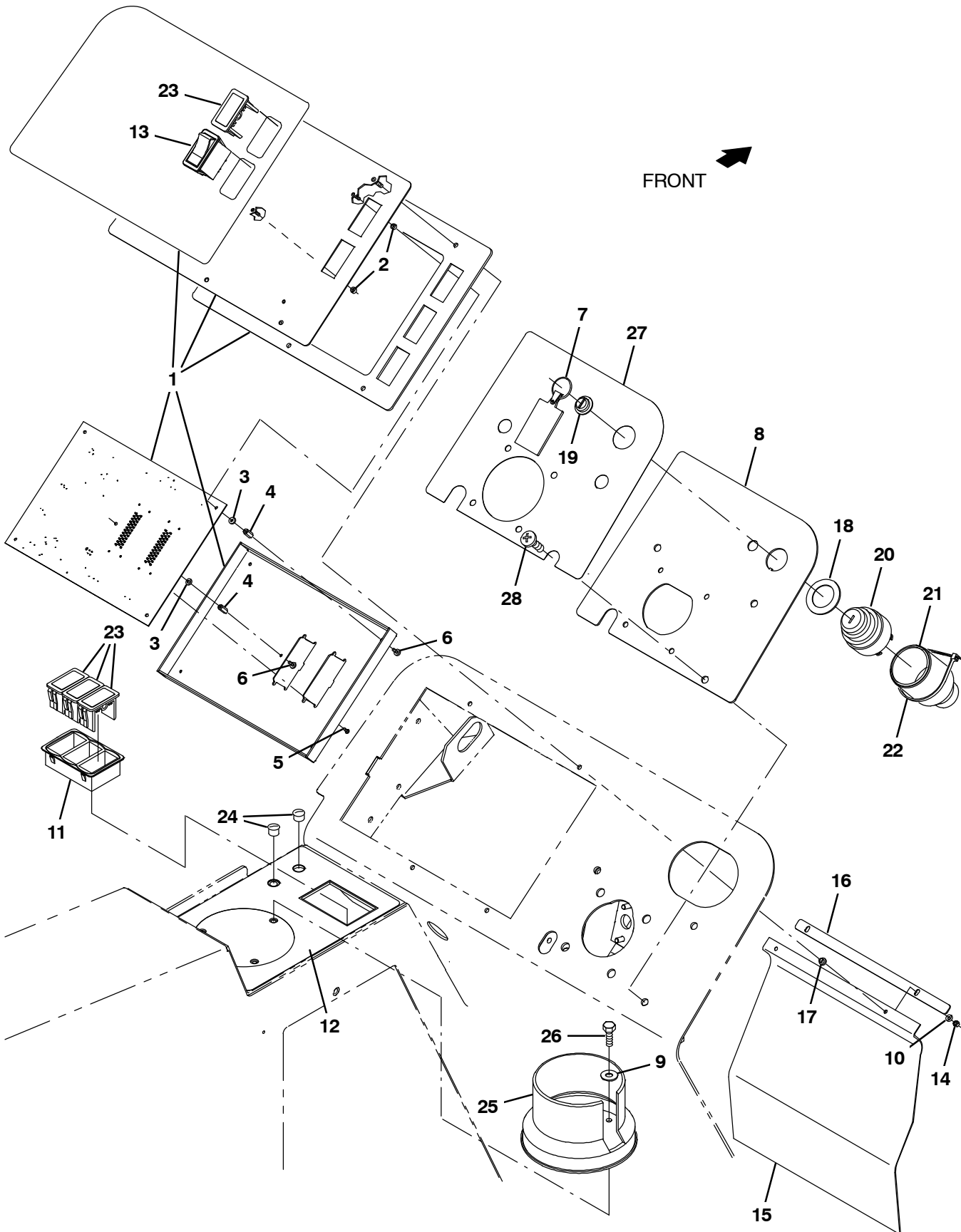


Fig. 6 – Instrument Panel Group

	Ref.	Part No.	Serial Number	Description	Qty.
▽	1	1223896	(008000–	) Panel Assy, Instmt, W/ Label, Afmkt	1
▲	2	1006808	(008000–	) Spacer, Rnd, .125l, Alm	5
▲	3	1008663	(008000–	) Washer, Flat, 0.15b 0.31d .05, Nyl	5
▲	4	1022472	(008000–	) Stand-Off, Hex, M3 X M14, Alm	5
▲	5	1008240	(008000–	) Screw, Pan, #04–24 X 0.50l, Hi – Low	5
▲	6	1022905	(008000–	) Screw, Pan, M3 X 6, [Seelscrew]	8
	7	1075003	(008000–	) Keychain, Rectangle, Parts & Service	1
	8	1223897	(008000–	) Plate, Instrument, Rh [Drago]	1
	9	32490	(008000–	) Washer, Flat, 0.25, Std	3
	10	19065	(008000–	) Washer, Flat, 0.19b 0.44d .05, Pl, 08	4
	11	1029951	(008000–	) Bezel, Switch [3 Gang]	1
	12	1225768	(008000–	) Label, Switch, Rocker [Drago] [T20]	1
	13	392171	(008000–	) Switch, Rocker, Dpdt, On / Off / On	1
	14	16968	(008000–	) Nut, Hex, Lock, #08–32, NI	4
	15	1028769	(008000–	) Flap, Battery	1
	16	1028772	(008000–	) Bar, Flat, Ss 0.06, 00.50 X 10.00l, 2sl	1
	17	1029362	(008000–	) Washer, Shld, Nyl [8–32]	4
	18	73736	(008000–	) Washer, Flat, 1.15b 1.75d .08, Stl	1
	19	382516	(008000–	) Boot, .63id .29l .90w	1
▽	20	87536	(008000–	) Switch, Ignition [Ku]	1
▲		87866	(008000–	) Key, Ignition [Set of 2]	1
	21	383165	(008000–	) Boot, Switch, Ignition	1
	22	49266	(008000–	) Tie, Cable, Nyl, 07.3l .19w 1.8 Max D	2
	23	398501	(008000–	) Plug, Hole, Rt, Rocker Switch, .87 X 1.7	4
	24	56992	(008000–	) Plug, Hole, Rnd, 0.50h .03–.12, Blk Nyl	2
	25	223599	(008000–	) Cup Holder, Rwk	1
	26	06943	(008000–	) Screw, Hex, M6 X 1.00 X 20, 8.8	3
	27	1223903	(008000–	) Label, Instrument Panel, Rh, [Drago]	1
	28	1031665	(008000–	) Screw, Pan, M8 X 1.25 X 25, Blk	4

**Fig. 7 - Seat Group**

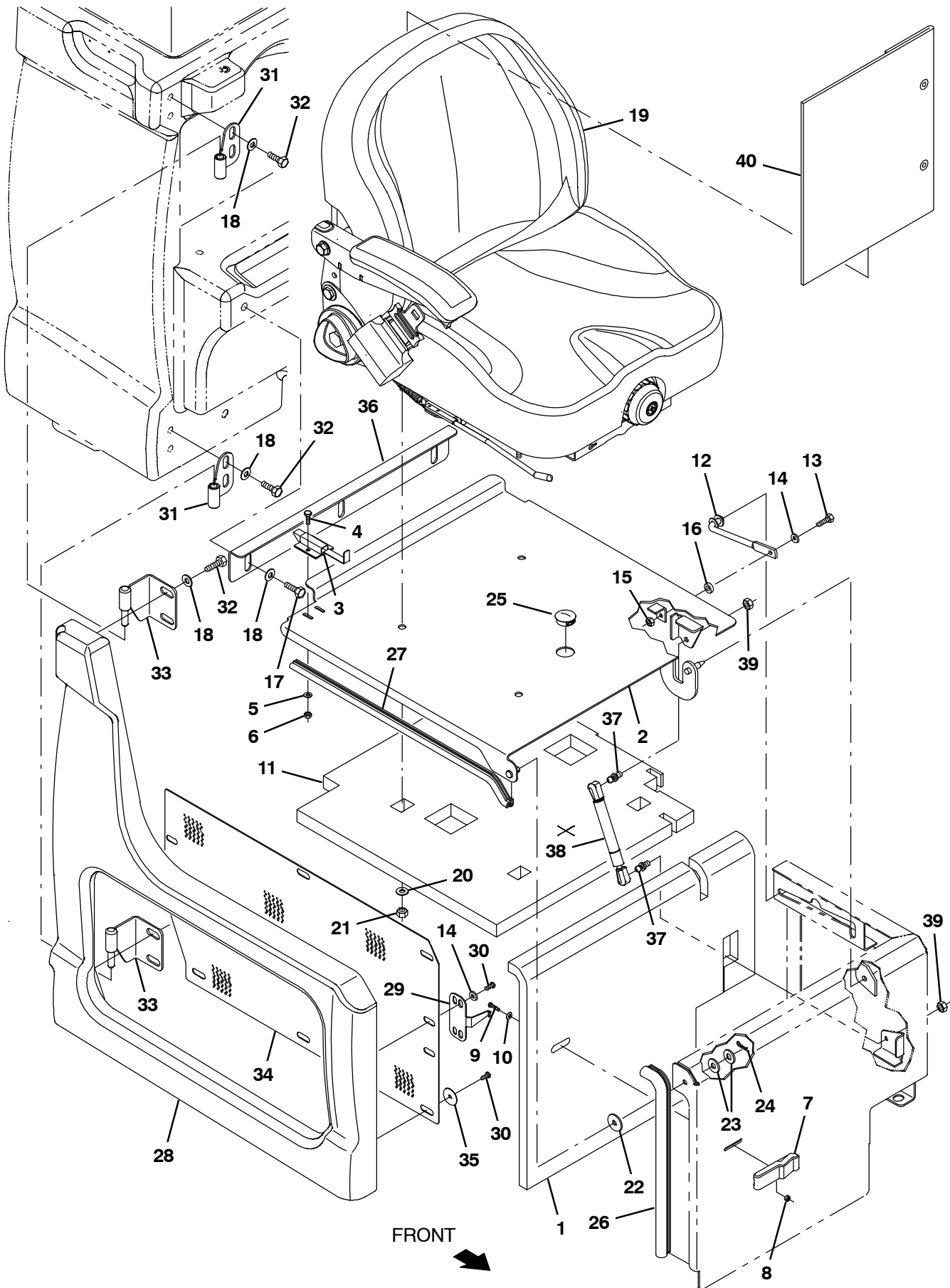


Fig. 7 - Seat Group

Ref.	Part No.	Serial Number	Description	Qty.
1	1034767	(008000-	) Insulation, Flame-retardant, 0.75-0.88	1
2	1019228	(008000-	) Plate Wldt, Seat	1
3	1025736	(008000-	) Latch	1
4	09252	(008000-	) Screw, Hex, M5 X 0.8 X 20, 8.8	2
5	19066	(008000-	) Washer, Flat, #10	2
6	06549	(008000-	) Nut, Hex, Lock, M5 X 0.8, NI	2
7	49800	(008000-	) Latch	1
8	02850	(008000-	) Nut, Hex, Lock, M4 X 0.7, NI	4
9	06929	(008000-	) Screw, Pan, M4 X 0.7 X 25, 4.8	4
10	19065	(008000-	) Washer, Flat, #08	2
11	1023499	(008000-	) Insulation, Flame-Retardant, 1.0	1
12	223080	(008000-	) Arm Wldt, Safety, Sppt, Seat, .38d 06.5d	1
13	06944	(008000-	) Screw, Hex, M6 X 1.0 X 25, 8.8	1
14	32483	(008000-	) Washer, Flat, 0.25 Sae	9
15	08708	(008000-	) Nut, Hex, Lock, M6 X 1.0, NI	1
16	21851	(008000-	) Spacer, Plstc, Ny	1
17	09740	(008000-	) Screw, Hex, M8 X 1.25 X 20, Ss	3
18	1017218	(008000-	) Washer, Flat, 0.32b 1.00d .12, Ss	11
19	9018721	(008000-	) Seat, Deluxe, Replmt [M20/T20/M30](See Breakdowns)	1
20	32491	(008000-	) Washer, Flat, 0.31, Std	4
21	32983	(008000-	) Nut, Hex, Lock, .31-18, NI	4
22	364749	(008000-	) Washer, Flat, 0.41b 1.25d .12, Pye	1
23	32492	(008000-	) Washer, Flat, 0.38 Std	2
24	08085	(008000-	) Pin, Cotter, Hair, 0.31d .058 Wir	1
25	76888	(008000-	) Plug, Hole, Rnd, 1.25H .03-.12, Blk Nyl	1
26	1030588	(008000-	) Seal, Afmkt, Bulb, 90, 0.75d F/11ga 02ft	1
27	1031206	(008000-	) Seal, Afmkt, Bulb, 90, 0.50d, 02ft	1
28	1018776	(008000-	) Shroud, Seat	1
29	1026825	(008000-	) Bracket, Latch, Shrd, Seat	1
30	09200	(008000-	) Screw, Pan, M5 X 0.8 X 12, Ss	8
31	1024464	(008000-	) Hinge Wldt, Shrd, Rh	2
32	16931	(008000-	) Screw, Hex, M8 X 1.25 X 20, 8.8	10
33	1024425	(008000-	) Hinge Wldt, Shrd, Rh	2
34	1025916	(008000-	) Grill, Side	1
35	41178	(008000-	) Washer, Flat, 0.25 Fendr	6
36	1020487	(008000-	) Bracket, Seat, Adj	1
37	58494	(008000-	) Stud, Ball, .39d .31-16, Gasspring	2
38	368391	(008000-	) Gasspring, 180lb, 03.0strk	1
39	01760	(008000-	) Nut, Hex, Lock, .31-18, NI, Thin	2
40	68275	(008000-	) Pouch (OPTION)	1

**Fig. 8 - Steering Group**

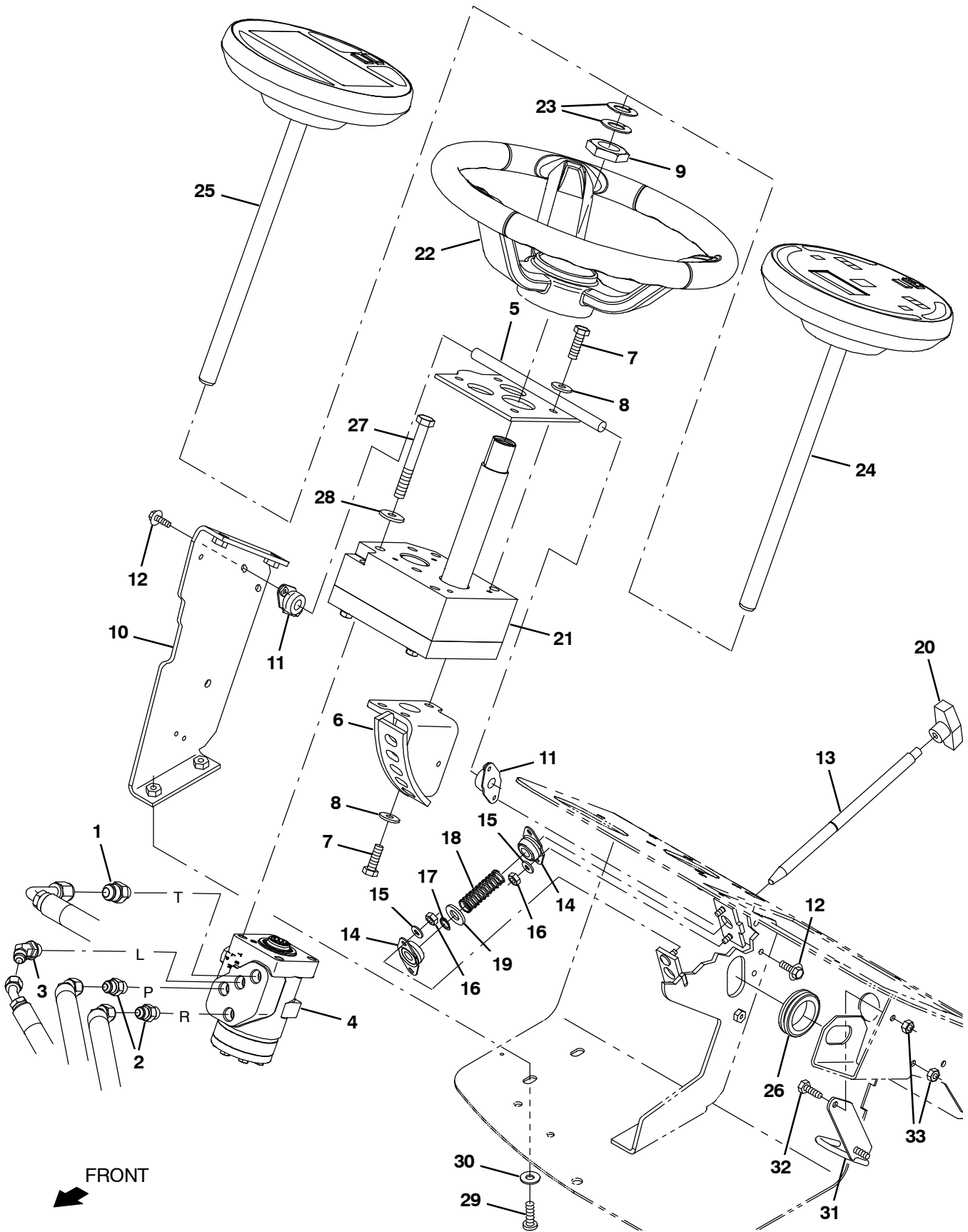


Fig. 8 - Steering Group

Ref.	Part No.	Serial Number	Description	Qty.
1	56835	(008000-	) Fitting, Hyd, Str, Jm08/Om06	1
2	56690	(008000-	) Fitting, Hyd, Str, Jm06/Om06	2
3	47522	(008000-	) Fitting, Hyd, E45, Jm06/Om06	1
4	1024260	(008000-	) Steer-Control, Hyd05, 06.1 2030 (See Breakdowns)	1
5	1223514	(008000-	) Plate, Wldt, Mtg, Housing	1
6	1232054	(008000-	) Bracket Wldt, Steering, Tilt	1
7	16931	(008000-	) Screw, Hex, M8 X 1.25 X 20, 8.8	7
8	32490	(008000-	) Washer, Flat, 0.25, Std	7
9	1059073	(008000-	) Nut, Hex, Jam, 1.12-12	1
10	1223511	(008000-	) Bracket Wldt, Steering, Tilt, Rh	1
11	70709	(008000-	) Bearing, Flng, 2hole, 0.50b	2
12	1036892	(008000-	) Screw, Hex, M6 X 1.00 X 25, 9.8, Sems	4
13	1223504	(008000-	) Pin, Locking, Steering, Tilt	1
14	47585	(008000-	) Bearing, Flng, 2hole, 0.50b [Nyl]	2
15	32483	(008000-	) Washer, Flat, 0.25, Sae	4
16	08708	(008000-	) Nut, Hex, Lock, M6 X 1.00, NI	4
17	70717	(008000-	) Ring, Retaining, Ext, 0.50d, Hd	1
18	22290	(008000-	) Spring, Cmpr, 0.72od .06wir 02.3l	1
19	32486	(008000-	) Washer, Flat, 0.53b 1.06d .10, Stl, PI	1
20	04706	(008000-	) Knob, Tee, 0.38-16, 2.5 X 1.0 1.1l,Plstc	1
21	9015636	(008000-	) Gearbox Kit, Steering, Afmkt[M20/30/T20] (See Breakdowns)	1
22	1056412	(008000-	) Wheel, Steering, 14.4d	1
23	04846	(008000-	) Washer, Thrust, 0.79b 1.42d 0.06[Garlok]	2
24	9015635	(008000-	) Panel Kit, Pod, Afmkt [Std, T20]	1
25	9015633	(008000-	) Panel Kit, Pod, Afmkt [Pro, M20/M30/T20] (Pro-Panel Only)	1
26	10632-13	(008000-	) Grommet, Rbr, 1.50id, F/1.8h, .19 Matl	1
27	06965	(008000-	) Screw, Hex, M10 X 1.50 X 80, 8.8	4
28	13248	(008000-	) Washer, Flat, 0.40b 1.12d .12, Stl, PI	4
29	1031665	(008000-	) Screw, Pan, M8 X 1.25 X 25, Blk	6
30	32491	(008000-	) Washer, Flat, 0.31, Std	6
31	1230341	(009270-	) Bracket Wldt, Hose	1
32	08716	(009270-	) Screw, Hex, M6 X 1.00 X 20, Ss	1
33	08708	(009270-	) Nut, Hex, Lock, M6 X 1.00, NI	2

Fig. 9 - Front Cover Group

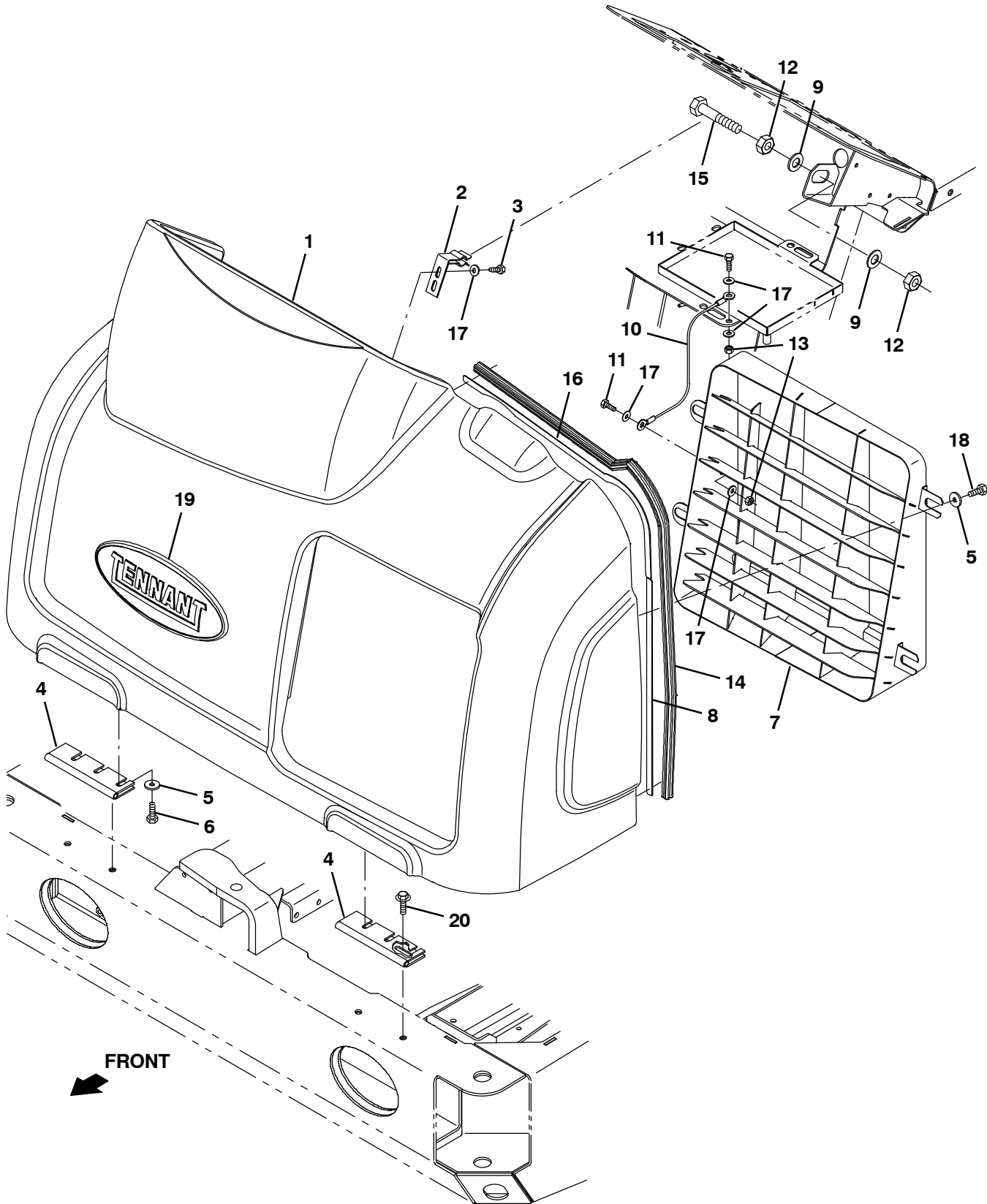




Fig. 9 – Front Cover Group

Ref.	Part No.	Serial Number	Description	Qty.
1	1022069	(008000–	) Shroud, Front, Trimmed	1
2	1008916	(008000–	) Bracket Wldt, Latch	1
3	06942	(008000–	) Screw, Hex, M6 X 1.0 X 16, 8.8	2
4	71941	(008000–	) Hinge, .38pin .11 3.5w 06.0l 6/0.38sl	2
5	1017218	(008000–	) Washer, Flat, 0.32b 1.00d .12, Ss	10
6	16931	(008000–	) Screw, Hex, M8 X 1.25 X 20, 8.8	6
7	1035068	(008000–	) Grill Wldt, Front	1
8	1037971	(008000–	) Strip Mtg, Seal	1
9	15331	(008000–	) Washer, Flat, 0.62 Sae	2
10	391368	(008000–	) Cable, Glv .09d 016.5l .38eye /.38eye	1
11	06943	(008000–	) Screw, Hex, M6 X 1.00 X 20, 8.8	2
12	07782	(008000–	) Nut, Hex, Std, M16 X 2.0	2
13	08708	(008000–	) Nut, Hex, Lock, M6 X 1.0, NI	2
14	1049919	(008000–	) Seal, Sponge, 0.88 1.00W 43.0L	1
15	06988	(008000–	) Screw, Hex, M16 X 2.0 X 90, 8.8	1
16	1037970	(008000–	) Strip Mtg, Seal	1
17	32490	(008000–	) Washer, Flat, 0.25, Std	6
18	16735	(008000–	) Screw, Hex, M8 X 1.25 X 16, 8.8	4
19	1214251	(008000–	) Nameplate, Tennant, Domed, 10 Inch	1
20	1037346	(008000–	) Screw, Hex, M8 X 1.25 X 25, 9.8, Sems	4

Fig. 10 – Engine Cover Group

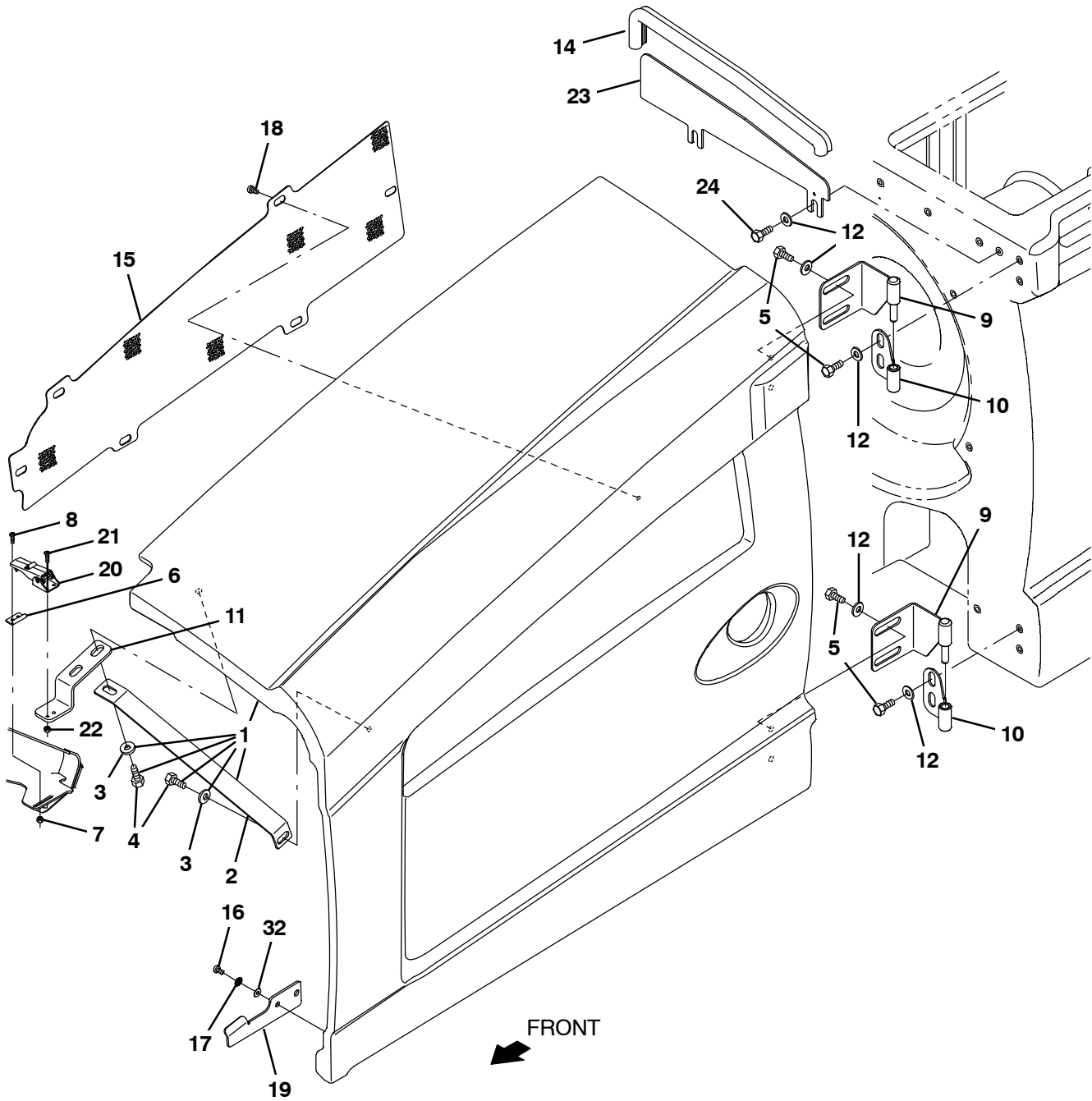


Fig. 10 – Engine Cover Group

	Ref.	Part No.	Serial Number	Description	Qty.
▽	1	1071439	(008000–	) Shroud Assy, Eng	1
▲	2	1026628	(008000–	) Angle, Brace, Shrd	1
▲	3	1017218	(008000–	) Washer, Flat, 0.32b 1.00d .12, Ss	2
▲	4	16931	(008000–	) Screw, Hex, M8 X 1.25 X 20, 8.8	2
	5	16931	(008000–	) Screw, Hex, M8 X 1.25 X 20, 8.8	7
	6	384419	(008000–	) Bracket, Latch, Keeper [Southco]	1
	7	33932	(008000–	) Nut, Hex, Lock, M4 X 0.7, NI, Ss	2
	8	24265	(008000–	) Screw, Pan, M4 X 0.7 X 16, Ss	2
	9	1024500	(008000–	) Hinge Wldt, Shrd, Lh	2
	10	1025196	(008000–	) Hinge Wldt, Shrd, Lh	2
	11	1020186	(008000–	) Bracket, Latch, Cover	1
	12	1017218	(008000–	) Washer, Flat, 0.32b 1.00d .12, Ss	15
	13	41139	(008000–	) Washer, Lock, Int–Ext, 10	2
	14	1030588	(008000–	) Seal, Afmkt, Bulb, 90, 0.75d F/11ga 02ft	2
	15	1026726	(008000–	) Grill, Eng	1
	16	09200	(008000–	) Screw, Pan, M5 X 0.8 X 12, Ss	2
	17	19066	(008000–	) Washer, Flat, #10	2
	18	222267	(008000–	) Screw, Pan, Phl, 06–20 X 0.50, Fmg/Ab	6
	19	1028412	(008000–	) Bracket, Guide, Shrd	1
	20	1222018	(008000–	) Latch, Door, Yellow	1
	21	06927	(008000–	) Screw, Pan, M4 X 0.7 X 16, 4.8	2
	22	02850	(008000–	) Nut, Hex, Lock, M4 X 0.7, NI	2
	23	1025806	(008000–	) Plate, Seal, Sound	1
	24	09740	(008000–	) Screw, Hex, M8 X 1.25 X 20, Ss	2

**Fig. 11 – Mitsubishi Engine and Mount Group, Gas**

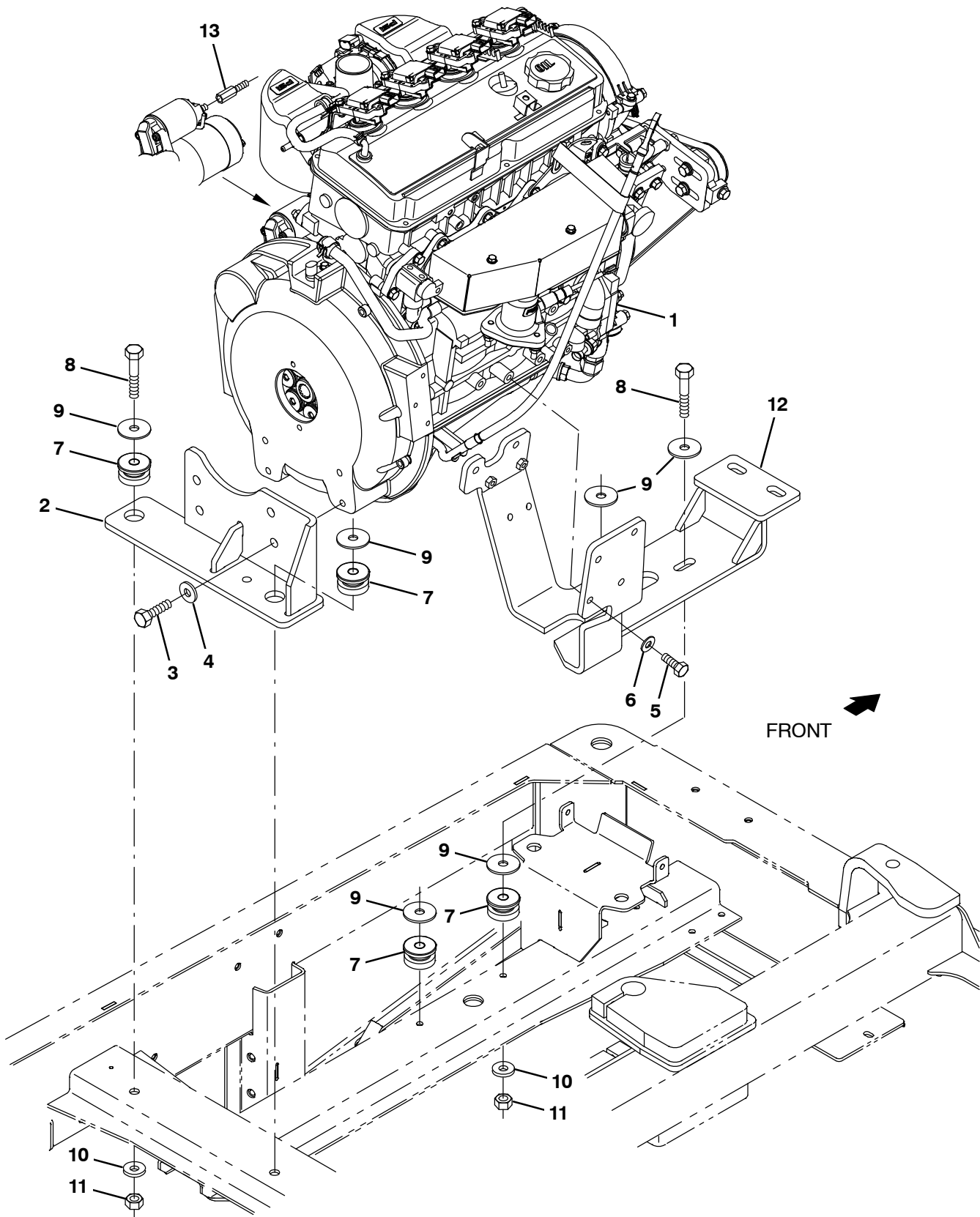


Fig. 11 – Mitsubishi Engine and Mount Group, Gas

Ref.	Part No.	Serial Number	Description	Qty.
1	9014202	(008000–	) Engine, Block, Long [Mits 12mm] (See Engine Breakdown)	1
	393982	(008000–	) Element, Fltr, Oil, Spin–On (Mits)	1
2	1070756	(008000–	) Bracket Wldt, Mtg, Eng, Rear [Mit 2013]	1
3	41346	(008000–	) Screw, Hex, M12 X 1.75 X 30, 8.8	4
4	32486	(008000–	) Washer, Flat, 0.50 Sae	4
5	07299	(008000–	) Screw, Hex, M10 X 1.25 X 25, 8.8	6
6	32492	(008000–	) Washer, Flat, 0.38 Std	6
7	51176	(008000–	) Isolator, Vib, .50d	4
8	06972	(008000–	) Screw, Hex, M12 X 1.75 X 60, 8.8	4
9	04414	(008000–	) Washer, Flat, 0.53b 1.88d .12, Stl, Pl	4
10	32493	(008000–	) Washer, Flat, 0.50 Std	3
11	08711	(008000–	) Nut, Hex, Lock, M12 X 1.75, NI	3
12	1070751	(008000–	) Bracket Wldt, Mtg, Engine [Mit 2013]	1
13	1072669	(008000–	) Stand–Off, Hex, M8 X M8, Metal	1

Fig. 12 – Mitsubishi Engine and Mount Group, LPG

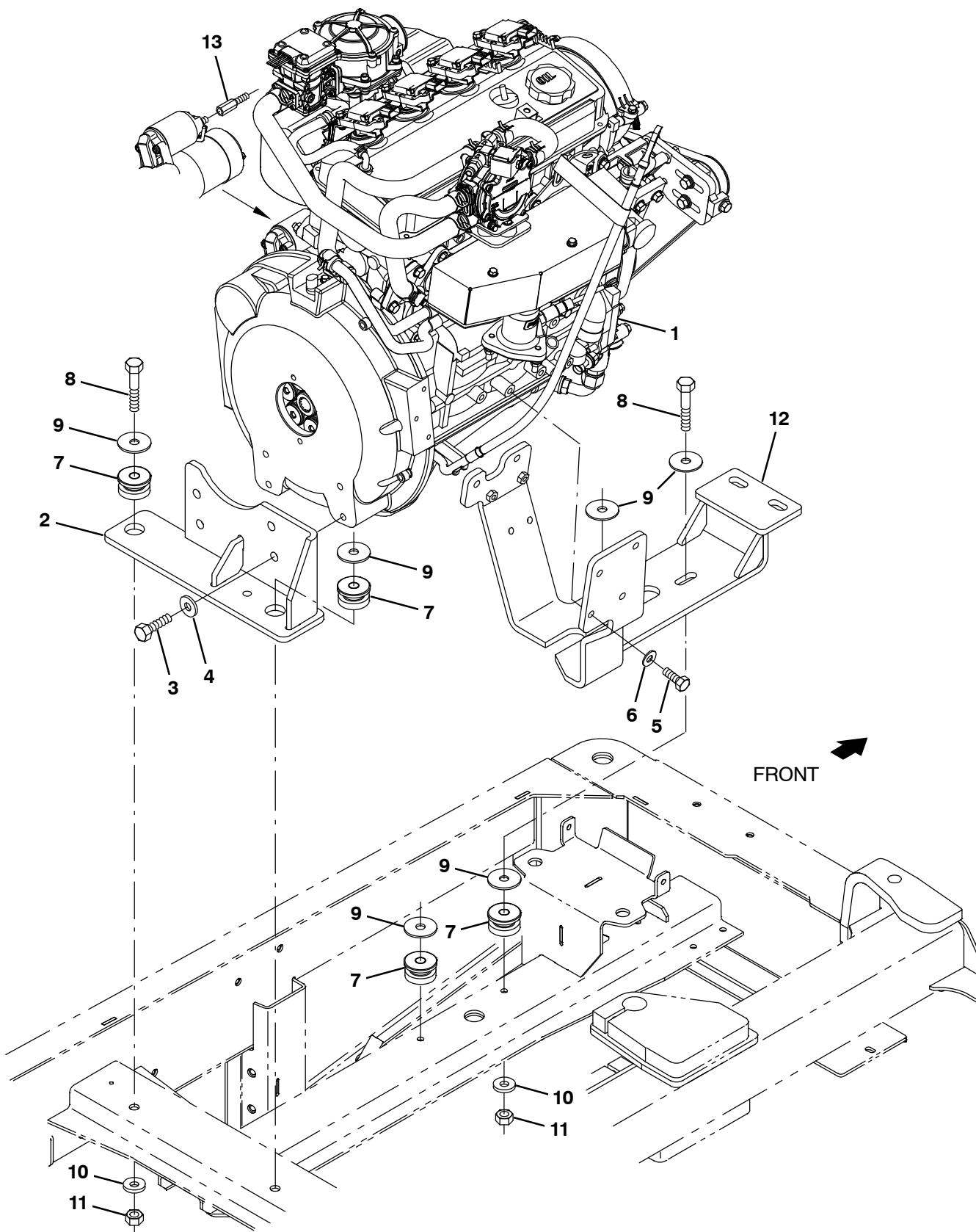


Fig. 12 – Mitsubishi Engine and Mount Group, LPG

Ref.	Part No.	Serial Number	Description	Qty.
1	9014202	(008000–	) Engine, Block, Long [Mits 12mm] (See Engine Breakdown)	1
	393982	(008000–	) Element, Fltr, Oil, Spin–On (Mits)	1
2	1070756	(008000–	) Bracket Wldt, Mtg, Eng, Rear [Mit 2013]	1
3	41346	(008000–	) Screw, Hex, M12 X 1.75 X 30, 8.8	4
4	32486	(008000–	) Washer, Flat, 0.50 Sae	4
5	07299	(008000–	) Screw, Hex, M10 X 1.25 X 25, 8.8	6
6	32492	(008000–	) Washer, Flat, 0.38 Std	6
7	51176	(008000–	) Isolator, Vib, .50d	4
8	06972	(008000–	) Screw, Hex, M12 X 1.75 X 60, 8.8	4
9	04414	(008000–	) Washer, Flat, 0.53b 1.88d .12, Stl, Pl	4
10	32493	(008000–	) Washer, Flat, 0.50 Std	3
11	08711	(008000–	) Nut, Hex, Lock, M12 X 1.75, NI	3
12	1070751	(008000–	) Bracket Wldt, Mtg, Engine [Mit 2013]	1
13	1072669	(008000–	) Stand–Off, Hex, M8 X M8, Metal	1

**Fig. 13 – Mitsubishi Engine EFI Group, Gasoline**

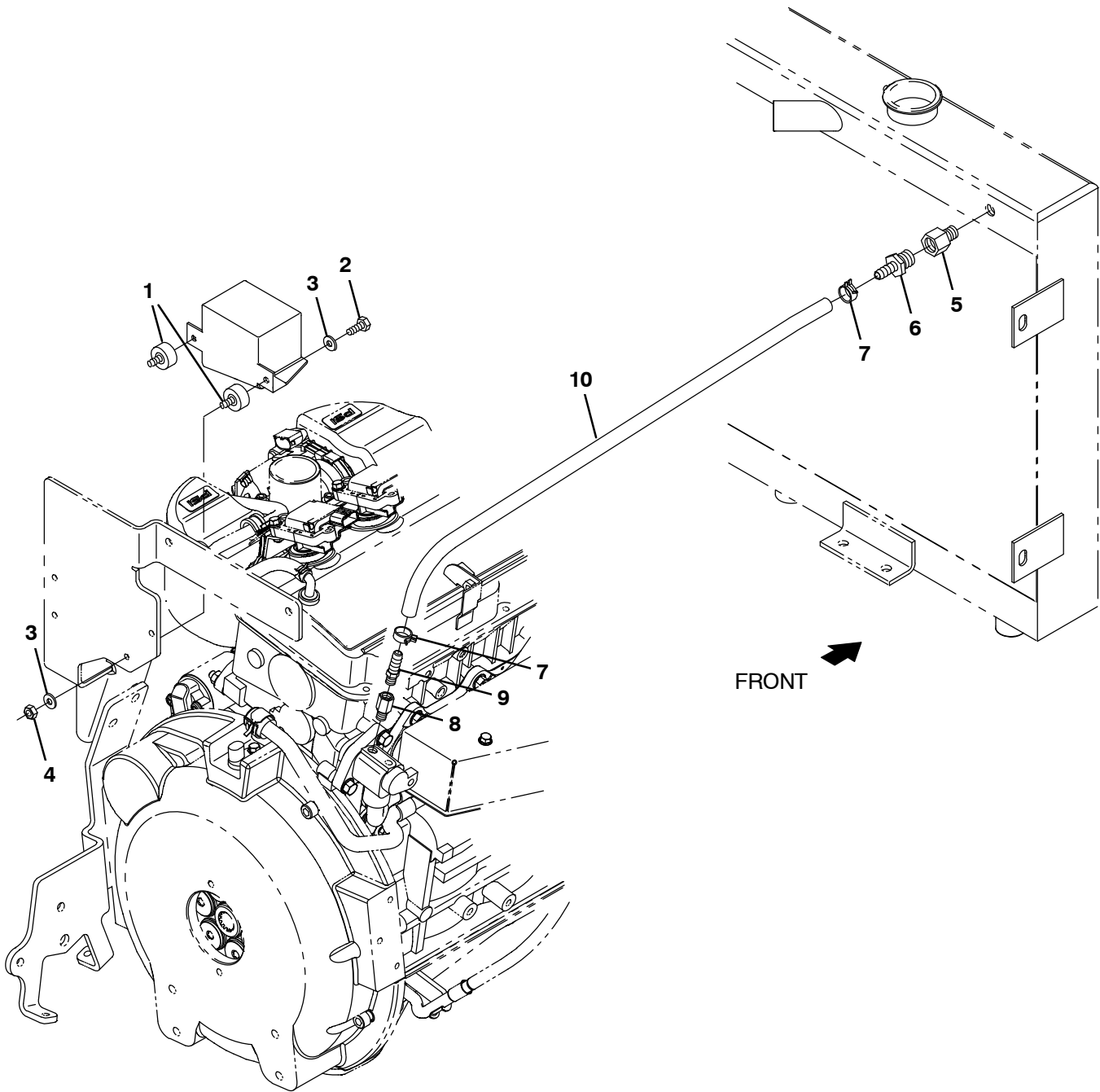




Fig. 13 – Mitsubishi Engine EFI Group, Gasoline

Ref.	Part No.	Serial Number	Description	Qty.
1	372470	(008000–	) Isolator, Box, Relay	2
2	19315	(008000–	) Screw, Hex, .25–20 X 0.50, G5	2
3	32490	(008000–	) Washer, Flat, 0.25, Std	4
4	19312	(008000–	) Nut, Hex, Std, .25–20	2
5	1071440	(008000–	) Fitting, Brs, Str, Pf06/Pm04	1
6	36159	(008000–	) Fitting, Brs, Str, Bm06/Pm06	1
7	1072559	(008000–	) Clamp, Hose, Spring Stl, 0.58d X 0.31w	2
8	1071502	(008000–	) Fitting, Brs, Str, Pf02/Pm02 [Bspt]	1
9	1055552	(008000–	) Fitting, Brs, Str, Bm06/Pm02	1
10	1072408	(008000–	) Hose, Afmkt, Rbr, Heater, 0.38id, 03ft	1

**Fig. 14 – Mitsubishi Engine EFI Group, LPG**

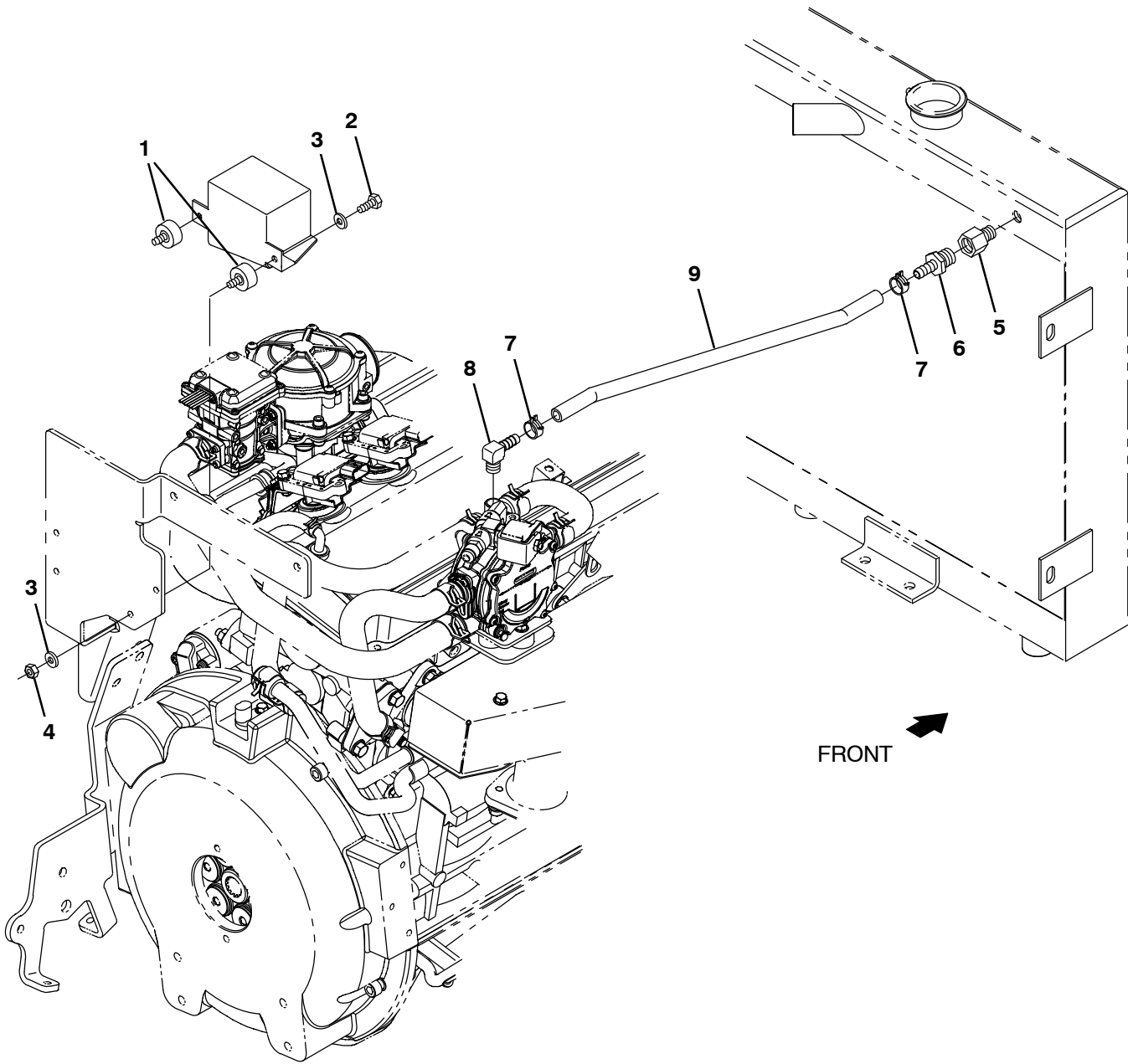


Fig. 14 – Mitsubishi Engine EFI Group, LPG

Ref.	Part No.	Serial Number	Description	Qty.
1	372470	(008000–	) Isolator, Box, Relay	2
2	19315	(008000–	) Screw, Hex, .25–20 X 0.50, G5	2
3	32490	(008000–	) Washer, Flat, 0.25, Std	4
4	19312	(008000–	) Nut, Hex, Std, .25–20	2
5	1071440	(008000–	) Fitting, Brs, Str, Pf06/Pm04	1
6	36159	(008000–	) Fitting, Brs, Str, Bm06/Pm06	1
7	1072559	(008000–	) Clamp, Hose, Spring Stl, 0.58d X 0.31w	2
8	1015815	(008000–	) Fitting, Brs, E90, Bm06/Pm04	1
9	1072408	(008000–	) Hose, Afmkt, Rbr, Heater, 0.38id, 03ft	1

**Fig. 15 – Mitsubishi Engine Air Cleaner Group, Gasoline**

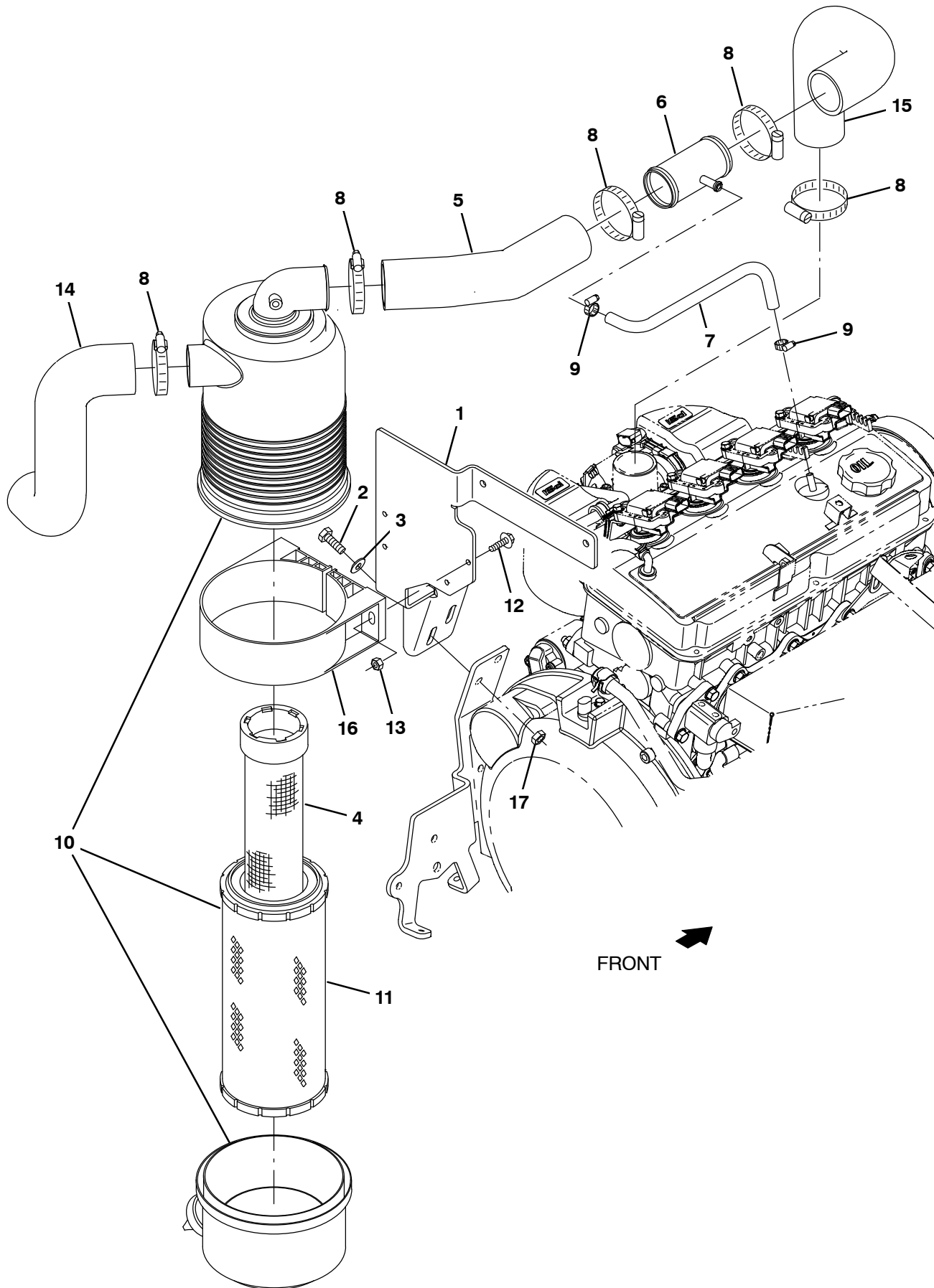


Fig. 15 - Mitsubishi Engine Air Cleaner Group, Gasoline

Ref.	Part No.	Serial Number	Description	Qty.
1	1070822	(008000-	) Bracket, Mtg, Fltr, Air [Mit 2013]	1
2	39277	(008000-	) Screw, Hex, M8 X 1.25 X 25, 8.8	2
3	32491	(008000-	) Washer, Flat, 0.31, Std	2
4	398279	(008000-	) Element, Fltr, Air, Safety (OPTION)	1
5	1070788	(008000-	) Hose, Intake, Mold [Epdm Mit 2013]	1
6	1070833	(008000-	) Tube Wldt, Tee [Mit 2013]	1
7	381391	(008000-	) Hose, Drain, Overflow, Radiator [1pick=1ft]	1
8	14432	(008000-	) Clamp, Hose, Wormdrive, 1.81-2.75d, .50w	5
9	54333	(008000-	) Clamp, Hose, Wormdrive, 0.31-0.88d, .31w	2
▽	10 369745	(008000-	) Filter Assy, Air	1
▲	11 369746	(008000-	) Element, Fltr, Air [Dn]	1
	12 1036892	(008000-	) Screw, Hex, M6 X 1.00 X 25, 9.8 Sems	2
	13 08708	(008000-	) Nut, Hex, Lock, M6 X 1.00, NI	2
	14 1020949	(008000-	) Hose, Intake, Mold, 2.00id [Epdm]	1
	15 1071404	(008000-	) Hose, Intake, Mold, Gas [Epdm Mit 2013]	1
	16 369747	(008000-	) Clamp, Mtg, Fltr, Air	1
	17 08709	(008000-	) Nut, Hex, Lock, M8 X 1.25, NI	2

Fig. 16 – Mitsubishi Engine Air Cleaner Group, LPG

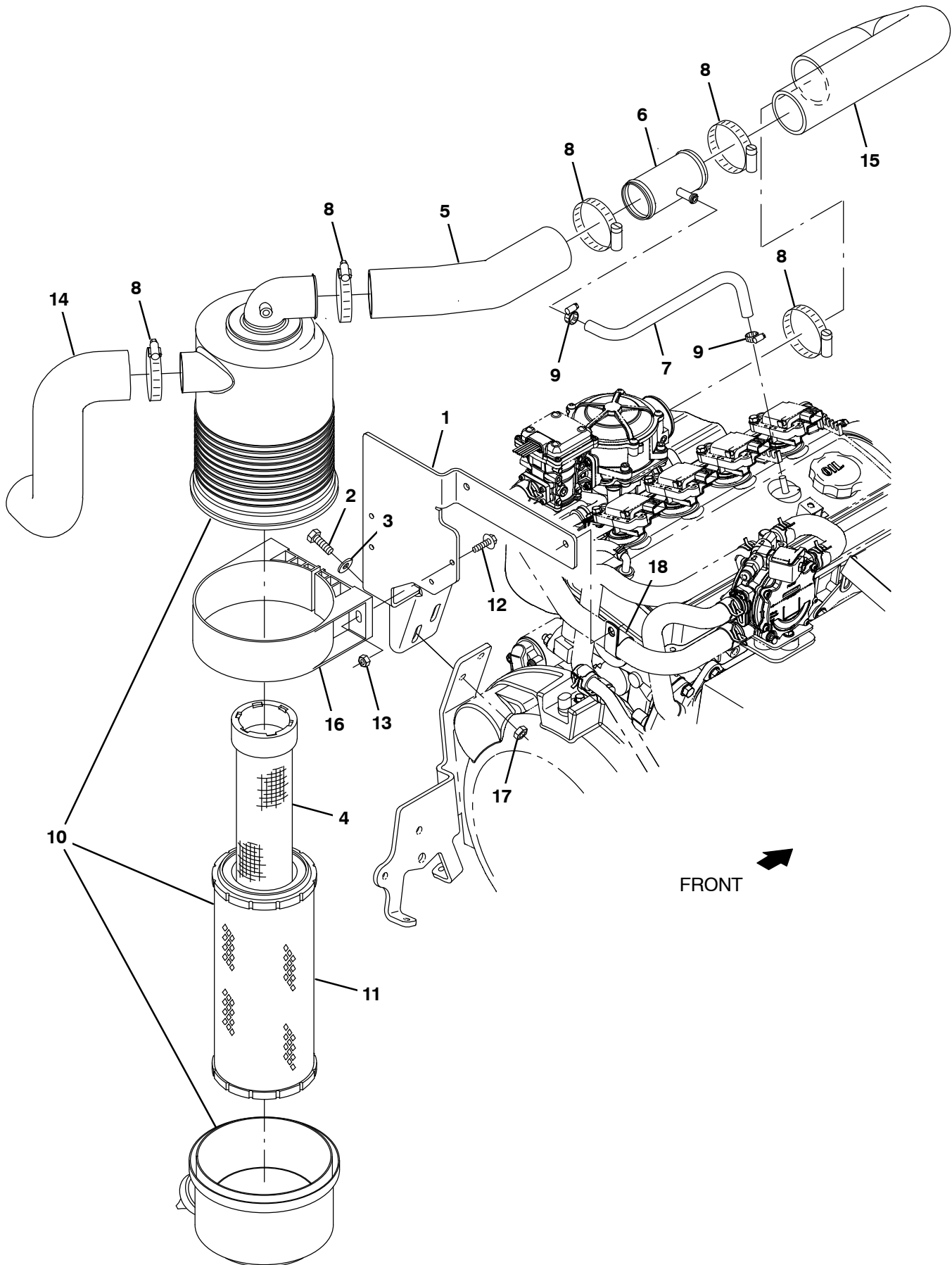


Fig. 16 – Mitsubishi Engine Air Cleaner Group, LPG

Ref.	Part No.	Serial Number	Description	Qty.
1	1070822	(008000–	) Bracket, Mtg, Fltr, Air [Mit 2013]	1
2	39277	(008000–	) Screw, Hex, M8 X 1.25 X 25, 8.8	2
3	32491	(008000–	) Washer, Flat, 0.31, Std	2
4	398279	(008000–	) Element, Fltr, Air, Safety (OPTION)	1
5	1070788	(008000–	) Hose, Intake, Mold [Epdm Mit 2013]	1
6	1070833	(008000–	) Tube Wldt, Tee [Mit 2013]	1
7	381391	(008000–	) Hose, Drain, Overflow, Radiator [1pick=1ft]	1
8	14432	(008000–	) Clamp, Hose, Wormdrive, 1.81–2.75d, .50w	5
9	54333	(008000–	) Clamp, Hose, Wormdrive, 0.31–0.88d, .31w	2
▽	10	369745	(008000–) Filter Assy, Air	1
▲	11	369746	(008000–) Element, Fltr, Air [Dn]	1
	12	1036892	(008000–) Screw, Hex, M6 X 1.00 X 25, 9.8 Sems	2
	13	08708	(008000–) Nut, Hex, Lock, M6 X 1.00, NI	2
	14	1020949	(008000–) Hose, Intake, Mold, 2.00id [Epdm]	1
	15	1070787	(008000–) Hose, Intake, Mold, Lpg [Epdm Mit2013]	1
	16	369747	(008000–) Clamp, Mtg, Fltr, Air	1
	17	08709	(008000–) Nut, Hex, Lock, M8 X 1.25, NI	2
	18	69234	(008000–) Clamp, Cable, Stl, 1.00d X 0.75w, 1hole	1

**Fig. 17 – Mitsubishi Engine Alternator and Fan Group**

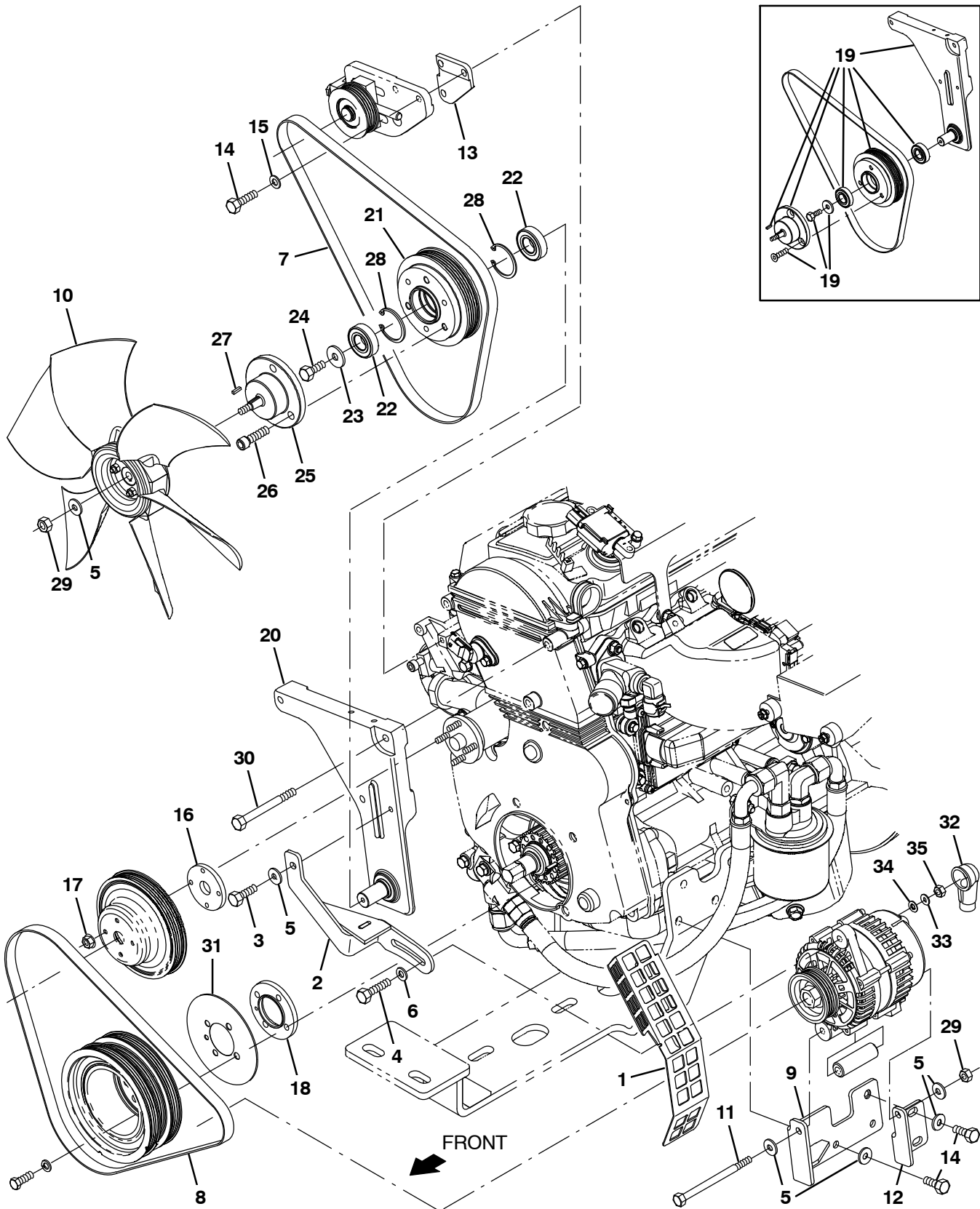




Fig. 17 – Mitsubishi Engine Alternator and Fan Group

Ref.	Part No.	Serial Number	Description	Qty.
1	1071727	(008000–	) Guard, Fan, Side	1
2	1070890	(008000–	) Arm Wldt, Alternator [Mit 2013]	1
3	16931	(008000–	) Screw, Hex, M8 X 1.25 X 20, 8.8	1
4	04375	(008000–	) Screw, Hex, M8 X 1.25 X 40, 8.8, FI	1
5	32491	(008000–	) Washer, Flat, 0.31, Std	7
6	41186	(008000–	) Washer, Flat, Belleville, .31	1
7	1071144	(008000–	) Belt, Ribbed, Fan, 42.13l	1
8	1071145	(008000–	) Belt, Ribbed, Alternator, 41.5l	1
9	1070764	(008000–	) Bracket Wldt, Alternator [Mit13]	1
10	1031566	(008000–	) Fan, Cooling, 14.1d, 6 Blade, 0.5b Taper	1
11	49883	(008000–	) Screw, Hex, M8 X 1.25 X 120, 8.8, FI	1
12	1070619	(008000–	) Bracket, Mtg, Alternator [Mit 2013]	1
13	1071107	(008000–	) Block, Spacer	1
14	76570	(008000–	) Screw, Hex, M8 X 1.25 X 30, 8.8	5
15	39349	(008000–	) Washer, Flat, 0.31, Sae	2
16	1071108	(008000–	) Spacer, Pump, Water	1
17	07790	(008000–	) Nut, Hex, Flng, M6 X 1.00	4
18	1071110	(008000–	) Spacer, Crankshaft	1
19	9014423	(008000–009489	) Sheave Kit, Repair [Mit 2.0l]	1
20	1073529	(009490–	) Plate Wldt, Shaft, Fan [Shaft Extended]	1
21	1070426	(009490–	) Sheave, Mach [Mit 2615rpm Fan]	1
22	1055377	(009490–	) Bearing, Ball, 20mm B 42mm D 12mm W	2
23	1017218	(009490–	) Washer, Flat, 0.32b 1.00d .12, Ss	1
24	16735	(009490–	) Screw, Hex, M8 X 1.25 X 16, 8.8	1
25	1070431	(009490–	) Spacer, Fan, Taper [Mit 2013]	1
26	10831	(009490–	) Screw, Soc, .38–16 X 1.25, Al	3
27	00960	(009490–	) Key, Sq, 0.12 X 0.12, 0.50l	1
28	1074849	(009490–	) Ring, Retaining, Int, 42mm	2
29	08709	(008000–	) Nut, Hex, Lock, M8 X 1.25, NI	2
30	39281	(008000–	) Screw, Hex, M8 X 1.25 X 90, 8.8	3
31	1072421	(008000–	) Plate, Shield, Dust	1
32	1016314	(008000–	) Boot, Bulb, .50id 1.00id 2.50l, Red	1
33	19066	(008000–	) Washer, Flat, 0.25b 0.56d .05, Pl, 10	1
34	32982	(008000–	) Washer, Lock, Int, 0.25	1
35	08708	(008000–	) Nut, Hex, Lock, M6 X 1.00, NI	1

**Fig. 18 – Mitsubishi Engine Muffler Group**

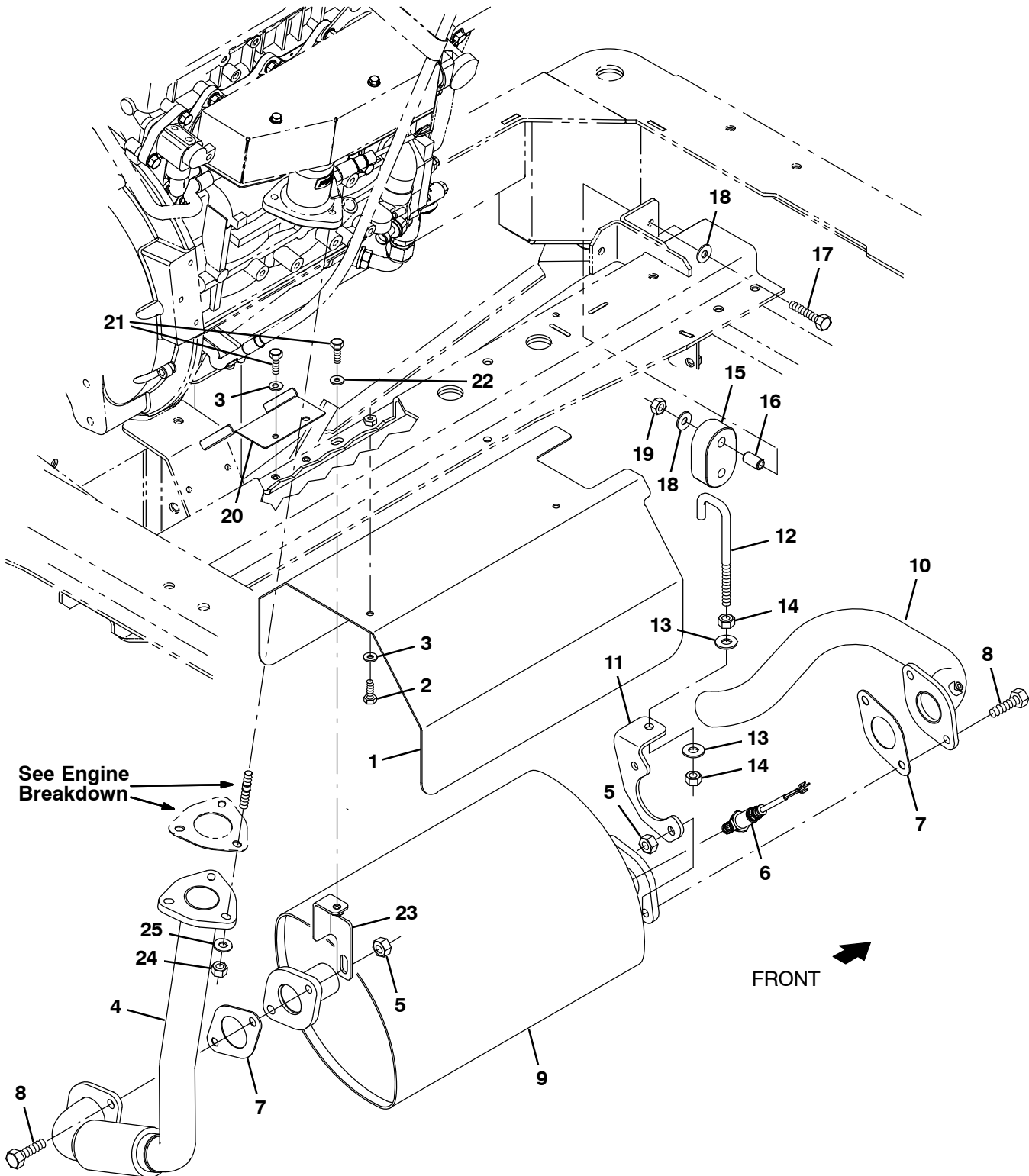


Fig. 18 – Mitsubishi Engine Muffler Group

Ref.	Part No.	Serial Number	Description	Qty.
1	1028994	(008000–	) Channel, Shield, Muffler [M20/T20 2007]	1
2	08716	(008000–	) Screw, Hex, M6 X 1.0 X 20, Ss	2
3	32483	(008000–	) Washer, Flat, 0.25, Sae	4
4	9013159	(008000–	) Pipe Kit, Exhaust, Replmt [Mako Mitsu]	1
5	08166	(008000–	) Nut, Hex, M10 X 1.50 [Stover]	4
6	1028558	(008000–	) Sensor, Oxygen	1
7	1011216	(008000–	) Gasket, Exhaust, 2hole, 3.4bc	2
8	39284	(008000–	) Screw, Hex, M10 X 1.5 X 35, 8.8	4
9	1071376	(008000–	) Muffler, Catalytic [Mit 2.0l 2013]	1
10	1028753	(008000–	) Tube, Exhaust, Flng, 1.5d [M20/T20 2007]	1
11	1028929	(008000–	) Bracket, Mtg, Muffler [M20/T20 2007]	1
12	1013117	(008000–	) Rod, Hanger, Isolator	1
13	32492	(008000–	) Washer, Flat, 0.38, Std	2
14	25014	(008000–	) Nut, Hex, Std, .38–16	2
15	1013031	(008000–	) Isolator, Rbr	1
16	222496	(008000–	) Sleeve, P/M, 0.31b 0.50d 0.9l [430ss]	1
17	222505	(008000–	) Screw, Hex, M8 X 1.25 X 45, Ss	1
18	01685	(008000–	) Washer, Flat, 0.38b 0.88d .08, Ss	2
19	08713	(008000–	) Nut, Hex, Lock, M8 X 1.25, NI, Ss	1
20	1071418	(008000–	) Shield, Tray, Drip [Mit 2013]	1
21	06943	(008000–	) Screw, Hex, M6 X 1.00 X 20, 8.8	3
22	32490	(008000–	) Washer, Flat, 0.25, Std	1
23	1071113	(008000–	) Bracket, Muffler	1
24	08165	(008000–	) Nut, Hex, Stover, M8	3
25	39349	(008000–	) Washer, Flat, 0.31, Sae	3

**Fig. 19 – Mitsubishi Engine Radiator and Mount Group**

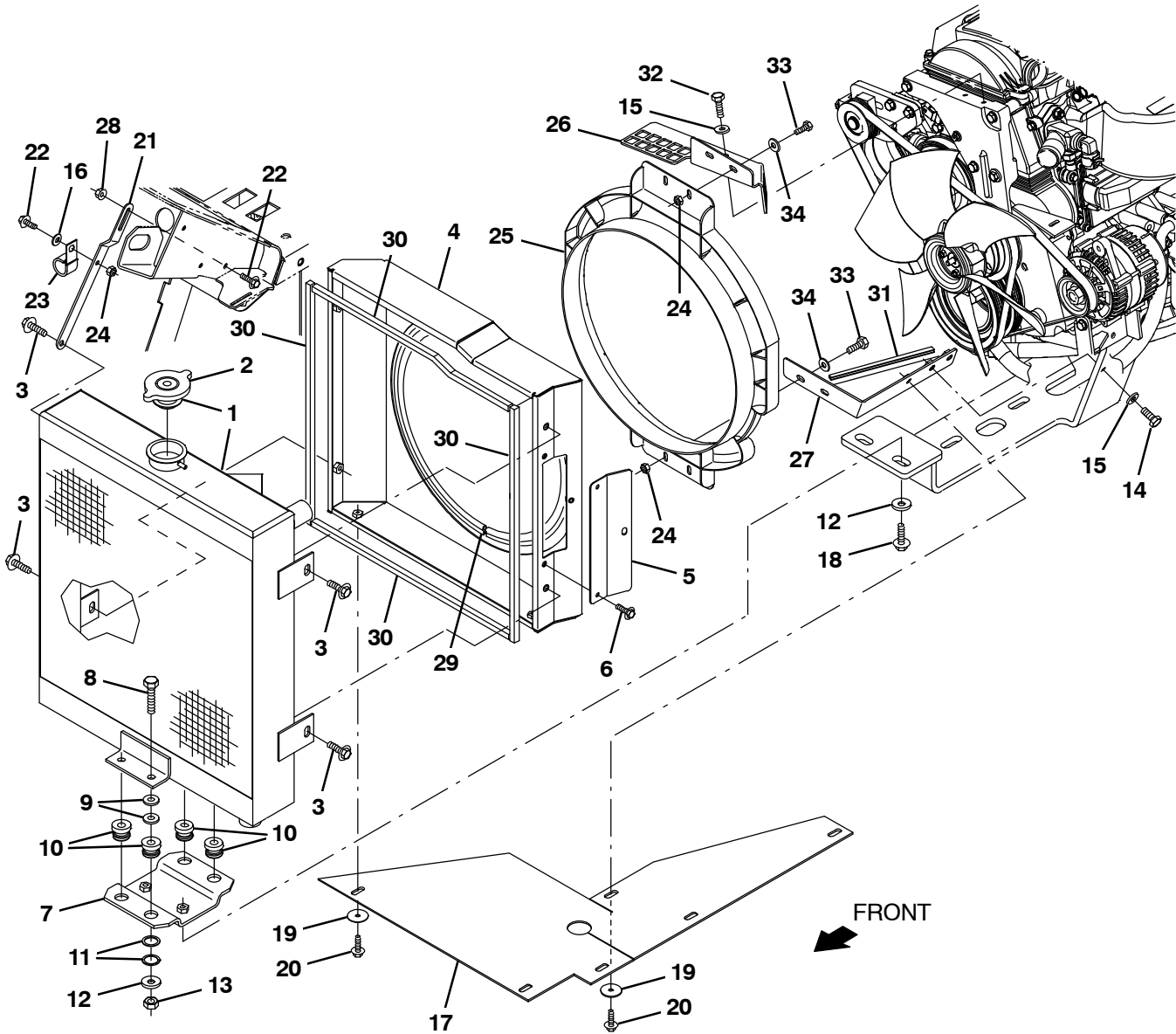


Fig. 19 – Mitsubishi Engine Radiator and Mount Group

	Ref.	Part No.	Serial Number	Description	Qty.
▽	1	1249770	(008000–	) Radiator, W/ Hyd Cooler [Afmkt]	1
▲	2	1045764	(008000–	) Cap, Radiator, 14Psi [Stant]	1
	3	1037346	(008000–	) Screw, Hex, M8 X 1.25 X 25, 9.8, Sems	4
	4	9010096	(008000–	) Shrd Wldt,Fan,G/Lp, Replmt [M20/M30/T20]	1
	4	9010097	(008000–	) Shrd Wldt,Fan,G/Lp, Replmt [TJ] (Japan Only)	1
	5	1070955	(008000–	) Plate, Door, Clean-Out [Mit2013]	1
	6	1036892	(008000–	) Screw, Hex, M6 X 1.00 X 25, 9.8 Sems	3
	7	1046962	(008000–	) Bracket, Mtg, Radiator	1
	8	06962	(008000–	) Screw, Hex, M10 X 1.50 X 45, 8.8	4
	9	32492	(008000–	) Washer, Flat, 0.38, Std	8
	10	54274	(008000–	) Isolator, Vib, Bshg, 1.1d 0.6l .4b 0.78h	4
	11	09832	(008000–	) Washer, Flat, 0.81b 1.06d .06, Stl	8
	12	1014563	(008000–	) Washer, Flat, 0.40b 1.12d .12, Ss	4
	13	41430	(008000–	) Nut, Hex, Lock, M10 X 1.5, NI	4
	14	39277	(008000–	) Screw, Hex, M8 X 1.25 X 25, 8.8	2
	15	32491	(008000–	) Washer, Flat, 0.31, Std	7
	16	32490	(008000–	) Washer, Flat, 0.25, Std	2
	17	1071785	(008000–	) Skirt, Eng Fan, Gas / Lp	1
	18	1037355	(008000–	) Screw, Hex, M8 X 1.25 X 35, 9.8, Sems	2
	19	41178	(008000–	) Washer, Flat, 0.25, Fendr	7
	20	1036892	(008000–	) Screw, Hex, M6 X 1.00 X 25, 9.8 Sems	7
	21	1019968	(008000–	) Bracket, Mtg, Radiator	1
	22	1040467	(008000–	) Screw, Hex, M6 X 1.00 X 20, 9.8, Sems	2
	23	30407	(008000–	) Clip, Keeper, Open	1
	24	08708	(008000–	) Nut, Hex, Lock, M6 X 1.00, NI	5
	25	1054428	(008000–	) Shroud, Fan	1
	26	1070434	(008000–	) Bracket, Shrd, Fan, Upper, Sppt, G/Lpg	1
	27	1070860	(008000–	) Bracket, Shrd, Fan, Lower, Sppt, G/Lpg	1
	28	07790	(008000–	) Nut, Hex, FIng, M6 X 1.00	1
	29	1048166	(008000–	) Seal, Afmkt, Bulb, Str, 0.58d 08ft	1
	30	1015205	(008000–	) Seal, Afmkt, Ure, Adh, 0.38, 0.38w 02ft	4
	31	57569	(008000–	) Molding, Trim, Pvc, .08–.11 06.8l	1
	32	16931	(008000–	) Screw, Hex, M8 X 1.25 X 20, 8.8	2
	33	06943	(008000–	) Screw, Hex, M6 X 1.00 X 20, 8.8	4
	34	32483	(008000–	) Washer, Flat, 0.25, Sae	4

**Fig. 20 – Mitsubishi Engine Radiator Hose Group**

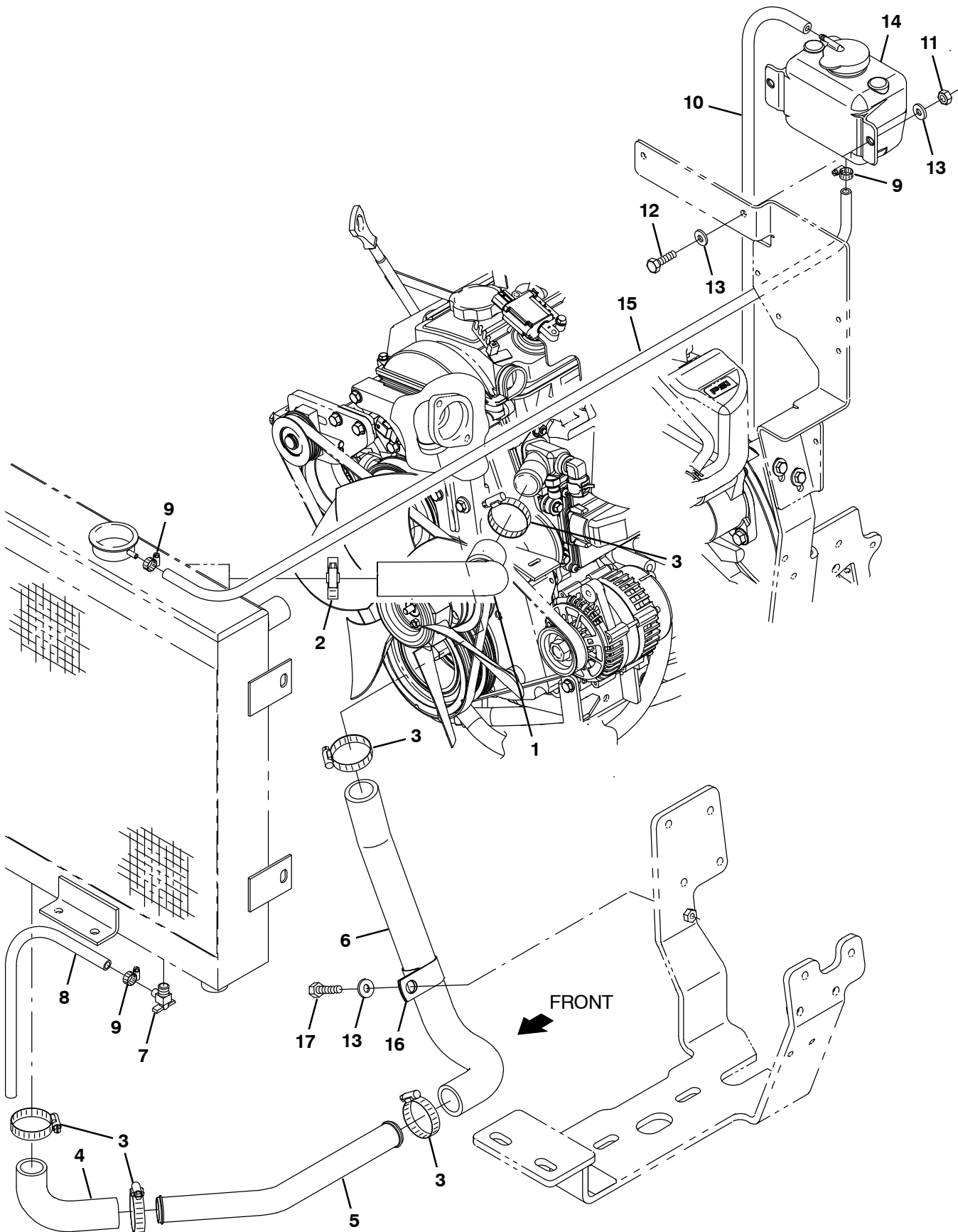


Fig. 20 – Mitsubishi Engine Radiator Hose Group

Ref.	Part No.	Serial Number	Description	Qty.
1	1070732	(008000–	) Hose, Coolant, Upper, Mold [Mit 2013]	1
2	22297	(008000–	) Clamp, Hose, Wormdrive, 1.56–2.50d, .50w	1
3	79381	(008000–	) Clamp, Hose, Wormdrive, 1.25–2.00d, .50w	5
4	1007482	(008000–	) Hose, Rbr, E90, 1.25id 1.25id 04.2 03.1	1
5	1071099	(008000–	) Tube, Coolant, 1.3d, Lower [Mit 2013]	1
6	9010904	(008000–	) Hose Kit, Coolant, Replmt [Mitsubishi}	1
7	51305	(008000–	) Fitting, Draincock, E90, .25npt	1
8	73471	(008000–	) Hose, Pvc, Clr, 0.38id 0.56od 022.0l	1
9	43844	(008000–	) Clamp, Hose, Wormdrive, 0.25–0.62d, .31w	3
10	87738	(008000–	) Hose, Fuel, 0.18id, 29.0l	1
11	08709	(008000–	) Nut, Hex, Lock, M8 X 1.25, NI	2
12	39277	(008000–	) Screw, Hex, M8 X 1.25 X 25, 8.8	2
13	32491	(008000–	) Washer, Flat, 0.31, Std	5
14	1054382	(008000–	) Tank, Coolant, 03.6w 04.1hi 05.5l, 1liter	1
15	1014843	(008000–	) Hose, Afmkt, Coolant Recvy, 05ft	1
16	53466	(008000–	) Clamp, Cable, Stl, 1.50d X 1.00w, 1hole	1
17	16931	(008000–	) Screw, Hex, M8 X 1.25 X 20, 8.8	1

Fig. 21 - Engine Fuel Tank Group, Gasoline

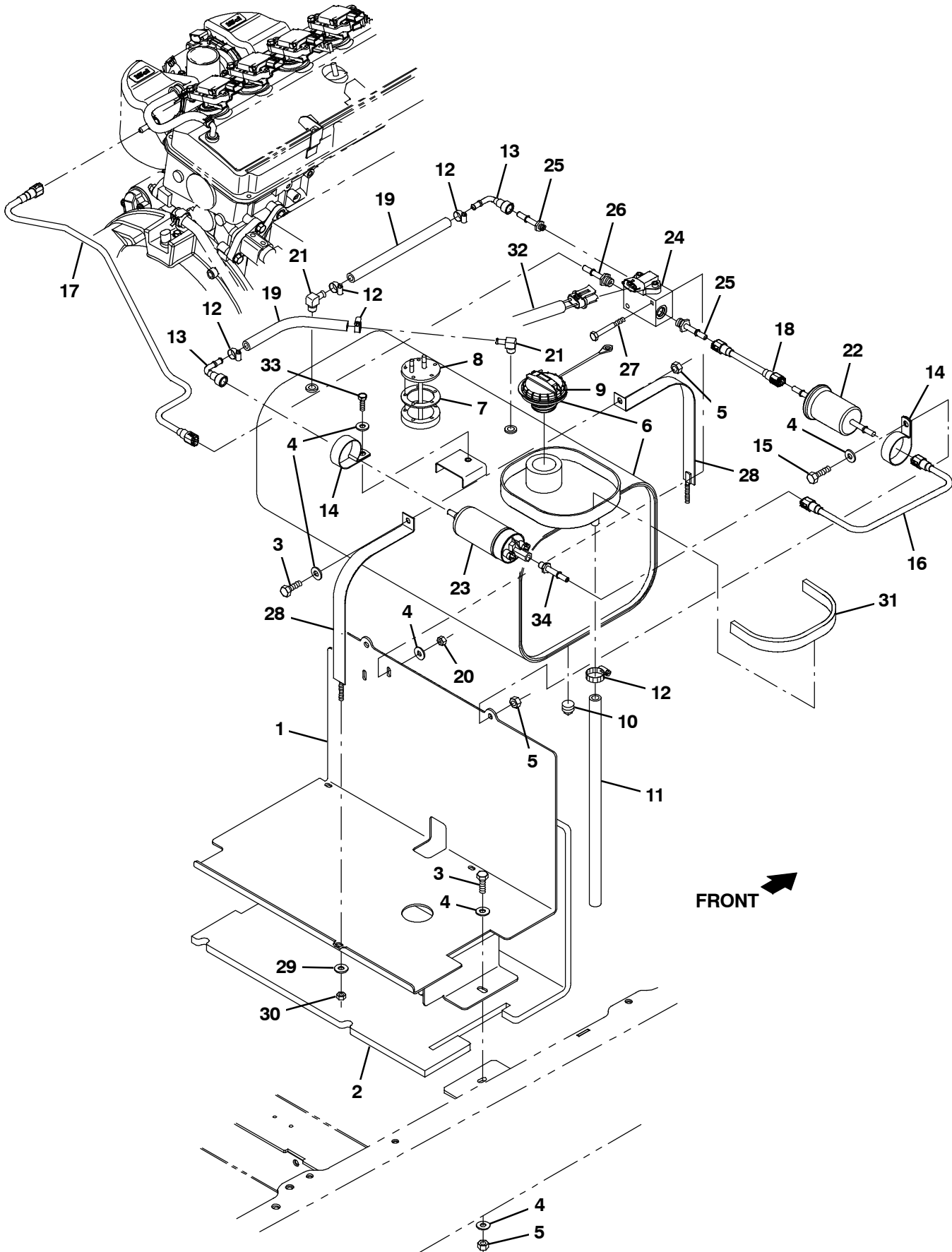




Fig. 21 - Engine Fuel Tank Group, Gasoline

Ref.	Part No.	Serial Number	Description	Qty.	
1	1026550	(008000-	) Tray Wildt, Fuel	1	
2	1026759	(008000-	) Insulation, Flame- Retardant, 0.5	1	
3	39277	(008000-	) Screw, Hex, M8 X 1.25 X 25, 8.8	3	
4	32491	(008000-	) Washer, Flat, 0.31, Std	7	
5	08709	(008000-	) Nut, Hex, Lock, M8 X 1.25, NI	4	
▽	6	9003610	(008000-	) Tank, Fuel, 11.2gal, Gas, Replmt [2007]	1
▲	7	1033897	(008000-	) Gasket, Sender, Fuel	1
▲	8	1033901	(008000-	) Send- Unit, Fuel [2007]	1
▲	9	1032812	(008000-	) Cap, Fuel, Tank	1
▲	10	48126	(008000-	) Fitting, Pipe, Plug, Pm02, Sq Head	1
	11	1023482	(008000-	) Hose, Fuel, 0.50id, 21.0l	1
	12	54333	(008000-	) Clamp, Hose, Wormdrive, 0.31-0.88d, .31w	5
	13	1013086	(008000-	) Connector, Fuel, Qf	2
	14	1011895	(008000-	) Clamp, Cable, Stl, 2.00d X 0.75w, 1hole	2
	15	06956	(008000-	) Screw, Hex, M8 X 1.25 X 45, 8.8	2
	16	1034676	(008000-	) Fuelline, .31d Str/Str,Plstc[M20/T20 07]	1
	17	1071388	(008000-	) Fuelline, .31d Str/Str, Plstc [Mit 2013]	1
	18	1012248	(008000-	) Fuelline, .31d Str/Str, Plstc	1
	19	1033746	(008000-	) Hose, Fuel, 0.31id [Evap Emission 07]	2
	20	08708	(008000-	) Nut, Hex, Lock, M6 X 1.00, NI	2
	21	9000355	(008000-	) Fitting, Brs, E90, Em05/Pm04	2
	22	372440	(008000-	) Filter, Fuel [Gm 1.6l/3.0l]	1
	23	9006592	(008000-	) Pump, Fuel	1
	24	1028924	(008000-	) Manifold, Gas, Relief, Valve	1
	25	1029293	(008000-	) Fitting, Fuel, Str, 0.56- 18 [07 Eng]	2
	26	1029295	(008000-	) Fitting, Fuel, Str, 0.38- 24 [07 Eng]	1
	27	06949	(008000-	) Screw, Hex, M6 X 1.0 X 50, 8.8	2
	28	1025229	(008000-	) Strap, Tank, Gas	2
	29	32483	(008000-	) Washer, Flat, 0.25, Sae	2
	30	32981	(008000-	) Nut, Hex, Lock, .25- 20, NI	2
	31	62595- 15	(008000-	) Molding, Trim, Pvc, .08- .11 13.2l	1
	32	385009	(008000-	) Harness, Manifold, Gas	1
	33	16931	(008000-	) Screw, Hex, M8 X 1.25 X 20, 8.8	1
	34	9019145	(008000-	) Fitting, Fuel, Str, M10x1.0	1

**Fig. 22 – Engine Fuel Tank Group, LPG**

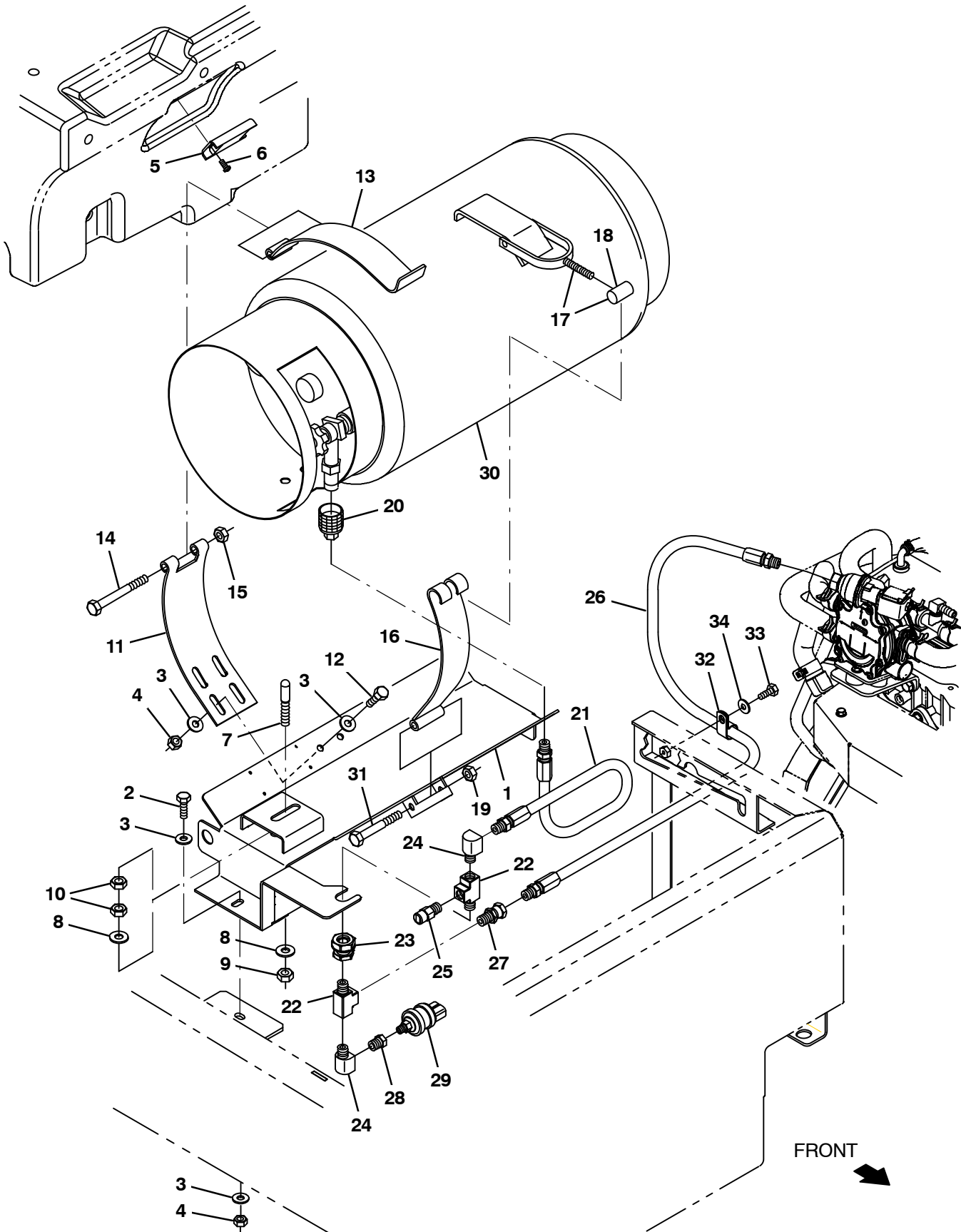


Fig. 22 – Engine Fuel Tank Group, LPG

Ref.	Part No.	Serial Number	Description	Qty.
1	1017947	(008000–	) Tray Wldt, Lpg	1
2	39277	(008000–	) Screw, Hex, M8 X 1.25 X 25, 8.8	2
3	32491	(008000–	) Washer, Flat, 0.31, Std	8
4	08709	(008000–	) Nut, Hex, Lock, M8 X 1.25, NI	4
5	63378	(008000–	) Magnet, Drive Brush	1
6	09200	(008000–	) Screw, Pan, M5 X 0.8 X 12, Ss	2
7	1024934	(008000–	) Pin, Locating, Lpg	1
8	32492	(008000–	) Washer, Flat, 0.38 Std	2
9	41430	(008000–	) Nut, Hex, Lock, M10 X 1.5, NI	1
10	32716	(008000–	) Nut, Hex, Jam, M10 X 1.5, Ss	2
11	58589	(008000–	) Strap, Mtg, Tank, Lpg	1
12	16931	(008000–	) Screw, Hex, M8 X 1.25 X 20, 8.8	2
13	57297	(008000–	) Strap, Mtg, Tank, Lpg, Hinge	1
14	35710	(008000–	) Screw, Hex, .38–16 X 3.75, 5	1
15	59156	(008000–	) Nut, Hex, Lock, .38–16, NI, Ss	1
16	58590	(008000–	) Strap, Mtg, Tank, Lpg	1
▽	17	53400–1	(008000–) Latch Assy, Mtg, Tank, Lpg, W/Nut	1
▲	18	53400–4	(008000–) Nut, Adj, Mtg, Tank, Lpg	1
19	36643	(008000–	) Nut, Hex, Lock, .38–16, NI, Thin	1
20	26496	(008000–	) Fitting, Brs, Qdc, Pf04, Lpg Fem	1
21	22308–6	(008000–	) Hose, Lpg, Med05, Pm04str/Sm04str, 14.0l	1
22	150709	(008000–	) Fitting, Brs, Tee, Pf04/Pf04/Pm04, Run	2
23	78122	(008000–	) Fitting, Brs, Str, Pf04/Pf04, Bh	1
24	27048	(008000–	) Fitting, Brs, E90, Pf04/Pm04	2
25	24047	(008000–	) Valve, Lpg, Press Relief [Rego]	1
26	19760	(008000–	) Hose, Lpg, Med05, Pm04str/Sm04str, 55.0l	1
28	17414	(008000–	) Fitting, Hyd, Str, Pf02/Pm04	1
27	11442–23	(008000–	) Fitting, Pipe, Str, Pm04/Sf04	1
29	23156	(008000–	) Switch, Press, 12vdc 08a Spst Nc 0070psi	1
30	24928–1	(008000–	) Tank, Lpg, 33lb, W/ Gauge [Empty, Liq]	1
31	35707	(008000–	) Screw, Hex, .38–16 X 3.00, 5	1
32	67767	(008000–	) Clamp, Cable, Stl, 0.69d X 0.62w, 1hole	1
33	06942	(008000–	) Screw, Hex, M6 X 1.00 X 16, 8.8	1
34	32483	(008000–	) Washer, Flat, 0.25, Sae	1

**Fig. 23 - Battery and Electrical Group**

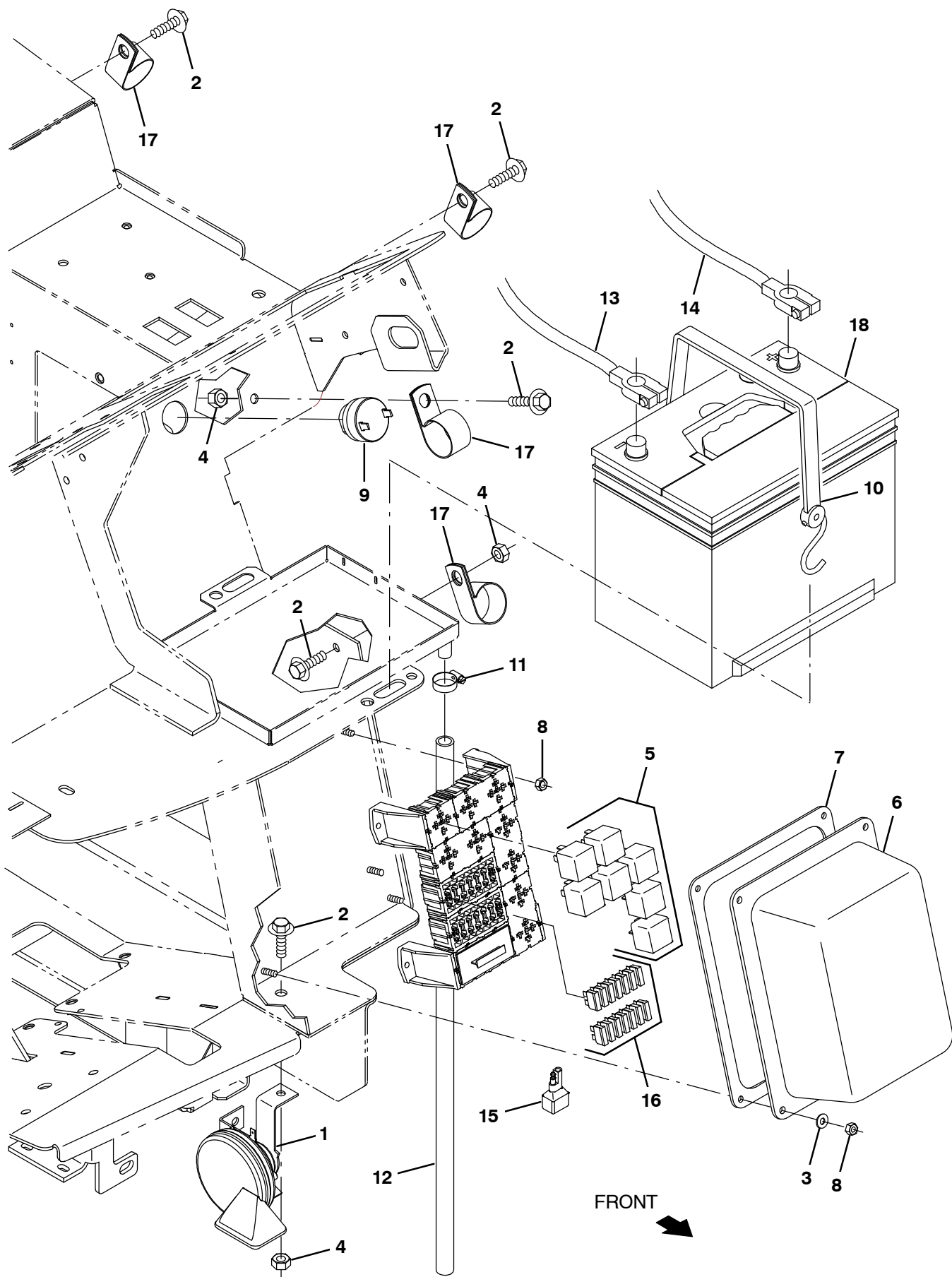


Fig. 23 - Battery and Electrical Group

Ref.	Part No.	Serial Number	Description	Qty.
1	369704	(008000-	) Horn, 12vdc, Dba [Wolo]	1
2	1037346	(008000-	) Screw, Hex, M8 X 1.25 X 25, 9.8, Sems	5
3	19066	(008000-	) Washer, Flat, #10	4
4	08709	(008000-	) Nut, Hex, Lock, M8 X 1.25, NI	3
5	57804	(008000-	) Relay, 12vdc, 40a, Spdt N/O	7
6	1024274	(008000-	) Cover, Fuse, Block	1
7	1026576	(008000-	) Gasket, Cover, Fuse Block	1
8	06549	(008000-	) Nut, Hex, Lock, M5 X 0.8, NI	8
9	1021290	(008000-	) Alarm, Warning [Sonalert, St628]	1
10	33671	(008000-	) Strap, Rbr, Tie-Down, 2/Hooks 19.0l	1
11	54333	(008000-	) Clamp, Hose, Wormdrive, 0.31-0.88d, .31w	1
12	20778	(008000-	) Hose, Pvc, Clr, 0.50id 0.69od 30.00l	1
13	1071481	(008000-	) Cable, Battery, 2ga, 62l, Blk	1
14	1071482	(008000-	) Cable, Battery, 2ga, 60l, Red	1
15	222290	(008000-	) Diode, Ele, Plug	1
16	762514	(008000-	) Fuse, 015a	14
17	53466	(008000-	) Clamp, Cable, Stl, 1.50d X 1.00w, 1h	4
18	10137	(008000-	) Battery, 12vdc, 0475cca, Ah, Wet	1

## Fig. 24 – Wheel Group, Front Drive

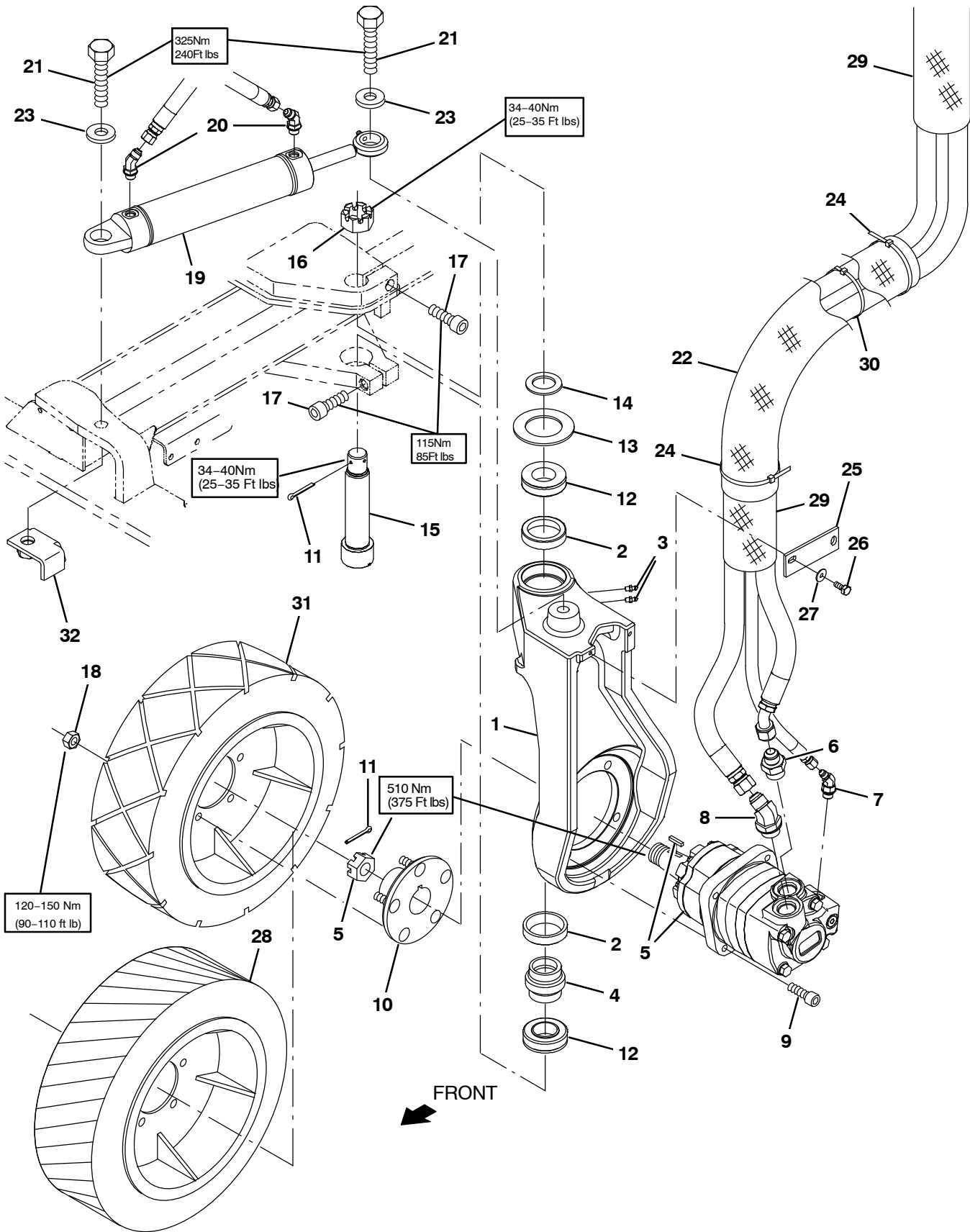


Fig. 24 – Wheel Group, Front Drive

Ref.	Part No.	Serial Number	Description	Qty.
1	1071061	(008000–	) Housing, Sppt, Front Wheel	1
2	51338	(008000–	) Bearing, Cup, 2.56d 0.55w	2
3	47801	(008000–	) Fitting, Grease, Str Pm04 .63l	2
4	374560	(008000–	) Seal, Drive, Rear, Grease Cav	1
5	379609	(008000–	) Motor, Hyd, Gear, Int 19.0 Bi-Dir 3000 (See Breakdowns)	1
6	42223	(008000–	) Fitting, Hyd, Str, Jm10/Om12	1
7	393215	(008000–	) Fitting, Hyd, E45, Jm04/Om06	1
8	1024249	(008000–	) Fitting, Hyd, E45, Jm10/Om12	1
9	19583	(008000–	) Screw, Soc, .50–13 X 1.50, Al	4
▽	10 54087	(008000–	) Hub Assy, Wheel, 5 Bolt 4.50bc Taper B	1
▲	32126	(008000–	) Stud, Wheel, .50–20 X 1.50l, 0.370th	5
11	08180	(008000–	) Pin, Cotter, .125 X 2.00	2
12	51339	(008000–	) Bearing, Cone, 1.38b 0.71w	2
13	374563	(008000–	) Washer, Flat, 2.16b 3.50d .16, Felt	1
14	54051	(008000–	) Washer, Flat, 1.39b 2.12d .13, Stl	1
15	73281	(008000–	) Bolt, Shld, 1.37d X 5.13l, 1.1–18 Drilled	1
16	54052	(008000–	) Nut, Hex, Slt'd, 1.12–18	1
17	72926	(008000–	) Screw, Soc, M16 X 2.0 X 50, 12.9	2
18	24339	(008000–	) Nut, Wheel, .50–20 X 60 Angle	5
19	1034270	(008000–	) Cylinder, Hyd, 2.0b, 15.2l, 09.00strk, 3000	1
20	47522	(008000–	) Fitting, Hyd, E45, Jm06/Om06	2
21	77345	(008000–	) Screw, Hex, .75–10 X 3.25, G5	1
22	82832	(008000–	) Sleeve, Nyl, 2.38id 25.0l	1
23	1073487	(008000–	) Washer, Flat, .781b 1.63od .16, Stl, Blk	2
24	49266	(008000–	) Tie, Cable, Nyl, 07.3l .19w 1.8 Max D	2
25	1052521	(008000–	) Bar, Flat, Stl 0.19, 01.50 X 04.1l	1
26	16931	(008000–	) Screw, Hex, M8 X 1.25 X 20, 8.8	2
27	32491	(008000–	) Washer, Flat, 0.31, Std	2
28	1061973	(008000–	) Tire, Drive, Scrbr, Pu, Grey, 18.0X6.0 (Optional Polyurethane)	1
29	57315	(008000–	) Sleeve, Nyl, #37 05.0l	2
30	49266	(008000–	) Tie, Cable, Nyl, 07.3l .19w 1.8 Max D	2
31	1059343	(008000–	) Tire, Drive, Scrbr, Non-Skid, 18.0X6.0	1
32	1060521	(008000–	) Bracket, Mtg, Sppt	1

**Fig. 25 - Wheel Group, Rear**

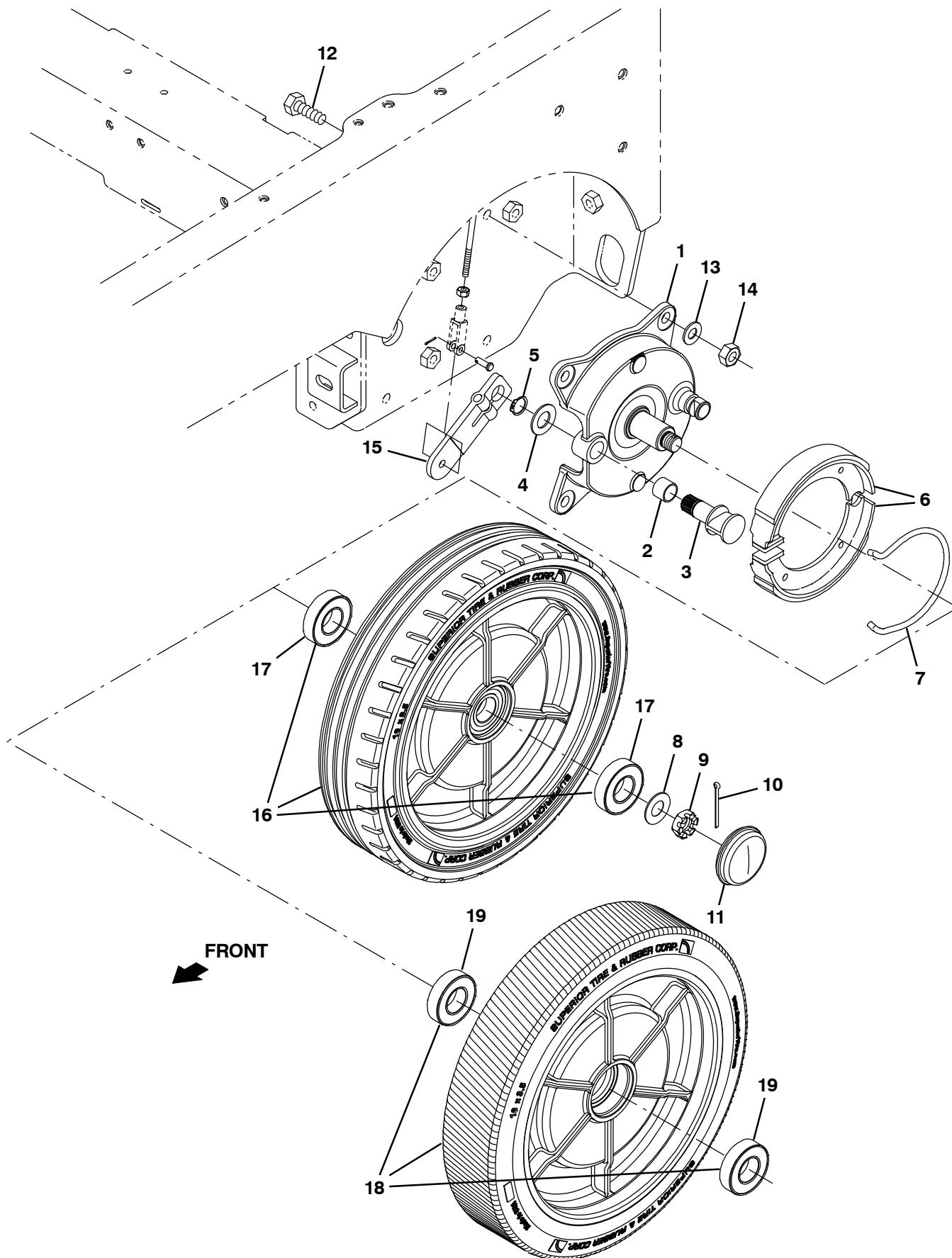




Fig. 25 – Wheel Group, Rear

	Ref.	Part No.	Serial Number	Description	Qty.
▽		360023	(008000–	) Brake Assy, Drum, Mech, 07.0d 1.2w	2
▲	1	360270	(008000–	) Plate, Backing, Brake	1
▲	2	360271	(008000–	) Bushing, Sleeve, 0.78b 0.86d 0.93l, Bnz	1
▲	3	360272	(008000–	) Cam, Plt, Brake [Nickel]	1
▲	4	360273	(008000–	) Washer, Flat, M21.0b X 37d X 3	1
▲	5	360274	(008000–	) Retainer, Ring, Brake	1
▲	6	360275	(008000–	) Shoe, Brake, 180 X 30mm	2
▲	7	360276	(008000–	) Spring, Wir, 0.25d, Return, Brake	1
	8	49145	(008000–	) Washer, Flat, 0.76b 1.50d .06, Ss	2
	9	86659	(008000–	) Nut, Hex, Slted, .75–16	2
	10	08171	(008000–	) Pin, Cotter, .156 X 2.00	2
	11	54390	(008000–	) Cap, Hub, Dust 2.57d 0.77l	2
	12	06969	(008000–	) Screw, Hex, M12 X 1.75 X 40, 8.8	8
	13	32486	(008000–	) Washer, Flat, 0.50 Sae	8
	14	08711	(008000–	) Nut, Hex, Lock, M12 X 1.75,NI	8
	15	360802	(008000–	) Arm, Lever, Brake, 4.1 [Knott]	2
▽	16	1076240	(008000–	) Tire Assy, Idler, 16.0 X 3.5, Rubber	2
▲	17	360074	(008000–	) Bearing, Ball, 1.18b 2.44d 0.63w	2
▽	18	1076680	(008000–	) Tire, Idle, 16 X 3.5, Pu, Siped Tread(Optional Polyurethane)	2
▲	19	360074	(008000–	) Bearing, Ball, 1.18b 2.44d 0.63w	2

**Fig. 26 – Brake Pedal Linkage Group**

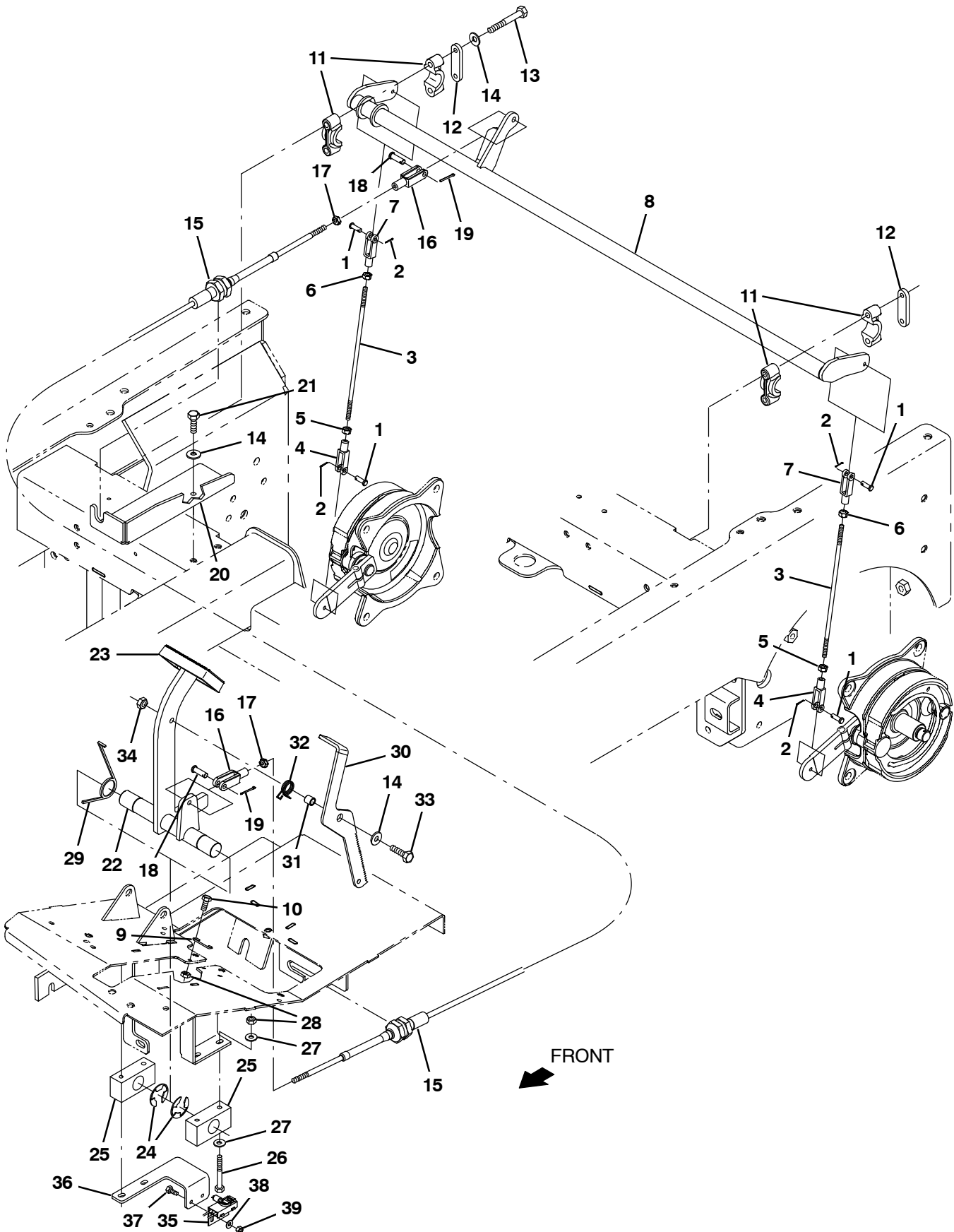


Fig. 26 – Brake Pedal Linkage Group

Ref.	Part No.	Serial Number	Description	Qty.
1	14605	(008000–	) Pin, Clevis, 0.25d X 0.75l	4
2	08170	(008000–	) Pin, Cotter, .062 X 0.50	4
3	364347	(008000–	) Rod	2
4	14595–1	(008000–	) Clevis, Adj, 0.25 Pin, 0.25–28 Rh, Pl	2
5	364948	(008000–	) Nut, Hex, Std, .25–28, Lh	2
6	01714	(008000–	) Nut, Hex, Std, .25–28	2
7	364864	(008000–	) Clevis, Adj, 0.25pin, 0.25–28left Pl	2
8	1022031	(008000–	) Shaft Wldt, Brake	1
9	71367	(008000–	) Spring, Wir, 0.08d, Brake, Parking	1
10	06942	(008000–	) Screw, Hex, M6 X 1.0 X 16, 8.8	2
11	381502	(008000–	) Bearing, Split, 1.00b	4
12	382224	(008000–	) Plate, Sppt	2
13	39279	(008000–	) Screw, Hex, M8 X 1.25 X 70, 8.8	4
14	32491	(008000–	) Washer, Flat, 0.31, Std	7
15	1025495	(008000–	) Cable, Push / Pull, 063.0l 4.0, .31–24	1
16	58311	(008000–	) Clevis, Adj, 0.31pin, 0.31–24	2
17	20170	(008000–	) Nut, Hex, Jam, .31–24	2
18	69582	(008000–	) Pin, Clevis, 0.31d X 1.00l	2
19	08179	(008000–	) Pin, Cotter, .094 X 1.00	2
20	1022736	(008000–	) Bracket, Mtg, Cable	1
21	16931	(008000–	) Screw, Hex, M8 X 1.25 X 20, 8.8	2
22	1022243	(008000–	) Shaft Wldt, Pedal, Brake	1
23	51109	(008000–	) Pad, Pedal, Brake, 3.96l 2.36w 0.75	1
24	23788	(008000–	) Ring, Retaining, Ext, 0.98d, [E–Ring]	2
25	86751	(008000–	) Bearing, Pillowblock, 1.02b [Solid Pye]	2
26	06548	(008000–	) Screw, Hex, M6 X 1.0 X 60, 8.8	4
27	32490	(008000–	) Washer, Flat, 0.25 Std	8
28	08708	(008000–	) Nut, Hex, Lock, M6 X 1.0, NI	6
29	54607	(008000–	) Spring, Tors, 1.13id .12wir 02.3coil Rh	2
30	1025487	(008000–	) Pedal, Brake, Lock	1
31	46563	(008000–	) Bushing, Sleeve, 0.37b 0.50d 0.50l, Oib	1
32	59009	(008000–	) Spring, Tors, 0.75id .06wir 02.8coil	1
33	06955	(008000–	) Screw, Hex, M8 X 1.25 X 35, 8.8	1
34	08709	(008000–	) Nut, Hex, Lock, M8 X 1.25, NI	1
35	59962	(008000–	) Switch, Snap, 15a Nc, Rlr	1
36	1228195	(008000–	) Bracket, Mtg, Switch	1
37	24199	(008000–	) Screw, Hex, M5 X 0.80 X 16, Ss	2
38	01683	(008000–	) Washer, Flat, 10, Ss	2
39	09739	(008000–	) Nut, Hex, Lock, M5 X 0.80, NI, Ss	2

**Fig. 27 – Directional Pedal Group**

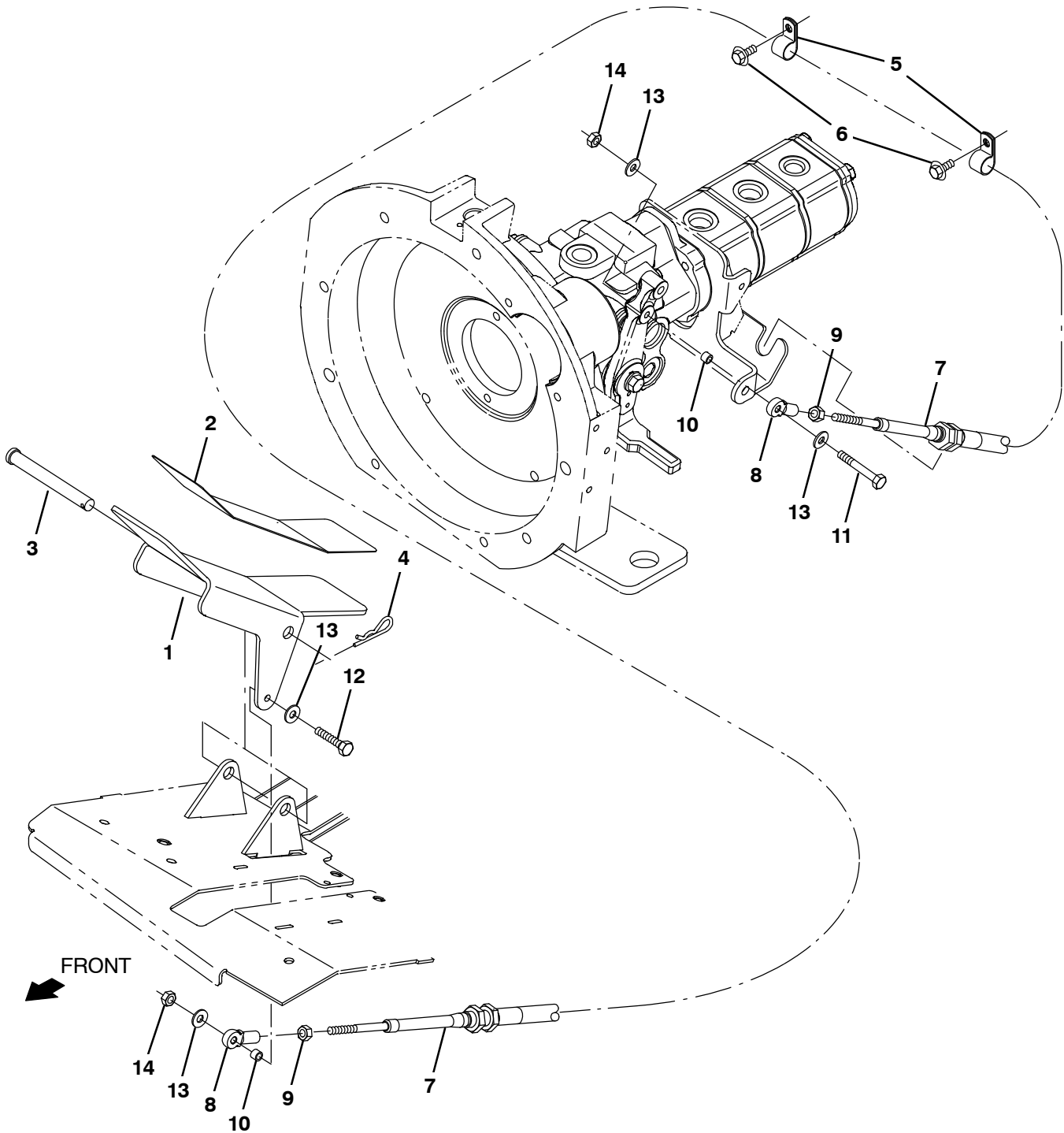


Fig. 27 – Directional Pedal Group

Ref.	Part No.	Serial Number	Description	Qty.
1	1025140	(008000–	) Pedal, Propel	1
2	58819	(008000–	) Tread, Non–Skid, 03.0w 11.6l	1
3	59668	(008000–	) Pin, Clevis, 0.50 D X 4.50l	1
4	08182	(008000–	) Pin, Cotter, .125 X 1.00	1
5	67767	(008000–	) Clamp, Cable, Stl, 0.69d X 0.62w, 1h	2
6	361339	(008000–	) Screw, Hex, M6 X 1.0 X 16, Fmg	2
7	1022345	(008000–	) Cable, Push / Pull, 098.0l .25–28/.25–28	1
8	68866	(008000–	) Rod–End, .25–28rh Fem 0.25b [Teflon]	2
9	01714	(008000–	) Nut, Hex, Std, .25–28	2
10	65441	(008000–	) Tube, 00.38d 00.26b 00.3l Stl Plt	2
11	41399	(008000–	) Screw, Hex, .25–20 X 2.25, Ss	1
12	42180	(008000–	) Screw, Hex, .25–20 X 1.75, Ss	1
13	32490	(008000–	) Washer, Flat, 0.25 Std	4
14	41169	(008000–	) Nut, Hex, Lock, .25–20, NI, Ss	2

**Fig. 28 – Hydraulic Pump Linkage Group**

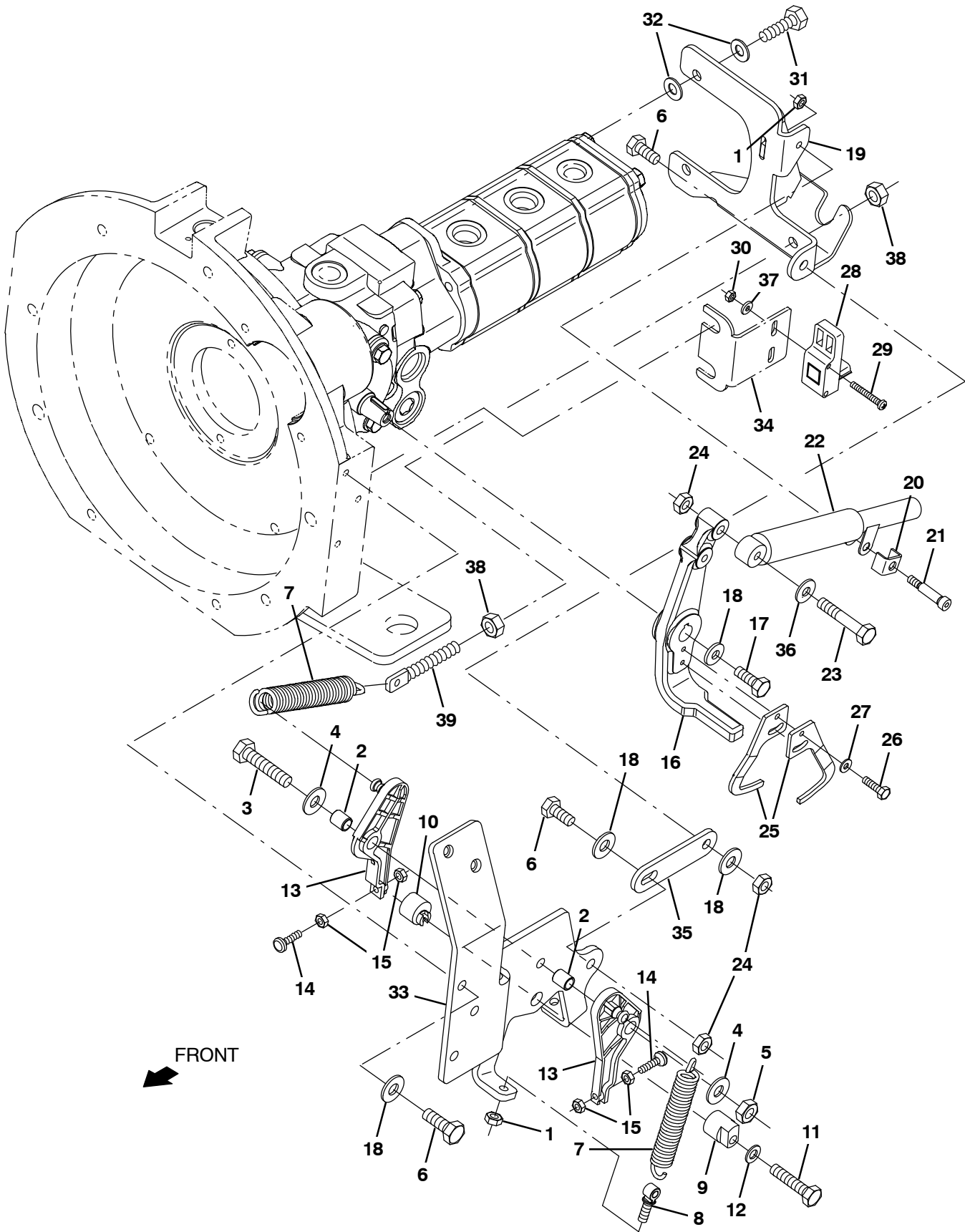


Fig. 28 – Hydraulic Pump Linkage Group

Ref.	Part No.	Serial Number	Description	Qty.
1	75934	(008000–	) Nut, Hex, Lock, .25–20, NI	2
2	63234	(008000–	) Tube, 00.50d 00.38b 00.6l Stl	2
3	27991	(008000–	) Screw, Hex, .38–16 X 2.25, G5	1
4	32492	(008000–	) Washer, Flat, 0.38 Std	2
5	36643	(008000–	) Nut, Hex, Lock, .38–16, NI, Thin	1
6	39277	(008000–	) Screw, Hex, M8 X 1.25 X 25, 8.8	5
7	11842	(008000–	) Spring, Extn, 0.75od X 0.12wir, 4.3l	2
8	48079	(008000–	) Bolt, Eye, .25–20 X 1.40 X .25 Eye	1
9	53947	(008000–	) Cam, Centering, Pintle	1
10	54655	(008000–	) Cam, Centering, Pintle	1
11	74440	(008000–	) Screw, Hex, M8 X 1.25 X 40, Ss, NI	1
12	39349	(008000–	) Washer, Flat, 0.31 Sae	1
13	53953	(008000–	) Arm, Cntrl, Pintle, Centering	2
14	54205	(008000–	) Bumper, Rbr, 0.5d 0.16t M5 X 08	2
15	50335	(008000–	) Nut, Hex, Std, M5 X 0.8, 8	4
16	1027233	(008000–	) Arm, Pintle	1
17	83879	(008000–	) Screw, Hex, .31–24 X 0.75, NI	1
18	41186	(008000–	) Washer, Belleville, .31	6
19	1027313	(008000–	) Bracket Wldt, Propel, Pintle	1
20	84170	(008000–	) Bracket, Retainer, Safety	1
21	16213	(008000–	) Bolt, Shld, .31d X 1.00, .25–20	1
22	73411	(008000–	) Shock Absorber, 2.3 Strk	1
23	39278	(008000–	) Screw, Hex, M8 X 1.25 X 50, 8.8	1
24	08709	(008000–	) Nut, Hex, Lock, M8 X 1.25, NI	3
25	1022787	(008000–	) Arm [Positioning]	2
26	09252	(008000–	) Screw, Hex, M5 X 0.8 X 20, 8.8	2
27	01683	(008000–	) Washer, Flat, #10 Ss	2
28	1022779	(008000–	) Sensor, Spd / Dir, 6–30vdc	1
29	09198	(008000–	) Screw, Pan, M4 X 0.7 X 35, Ss	2
30	33932	(008000–	) Nut, Hex, Lock, M4 X 0.7, NI, Ss	2
31	46559	(008000–	) Screw, Hex, .38–16 X 1.25, NI	2
32	32485	(008000–	) Washer, Flat, 0.38 Sae	4
33	1070798	(008000–	) Bracket, Propel, G/Lpg [Mit 2013]	1
34	1070819	(008000–	) Angle, Mtg	1
35	1032399	(008000–	) Strap, Sppt	1
36	32490	(008000–	) Washer, Flat, 0.25 Std	1
37	19065	(008000–	) Washer, Flat, 0.19b 0.44d .05, Pl, 08	2
38	07786	(008000–	) Nut, Hex, Std, M8 X 1.25, Ss	2
39	386088	(008000–	) Bolt, Eye, M8 X 1.25 X 070mm, 05.50 Eye	1

**Fig. 29 – Cylindrical Scrub Brush Drive Group, Left Side**

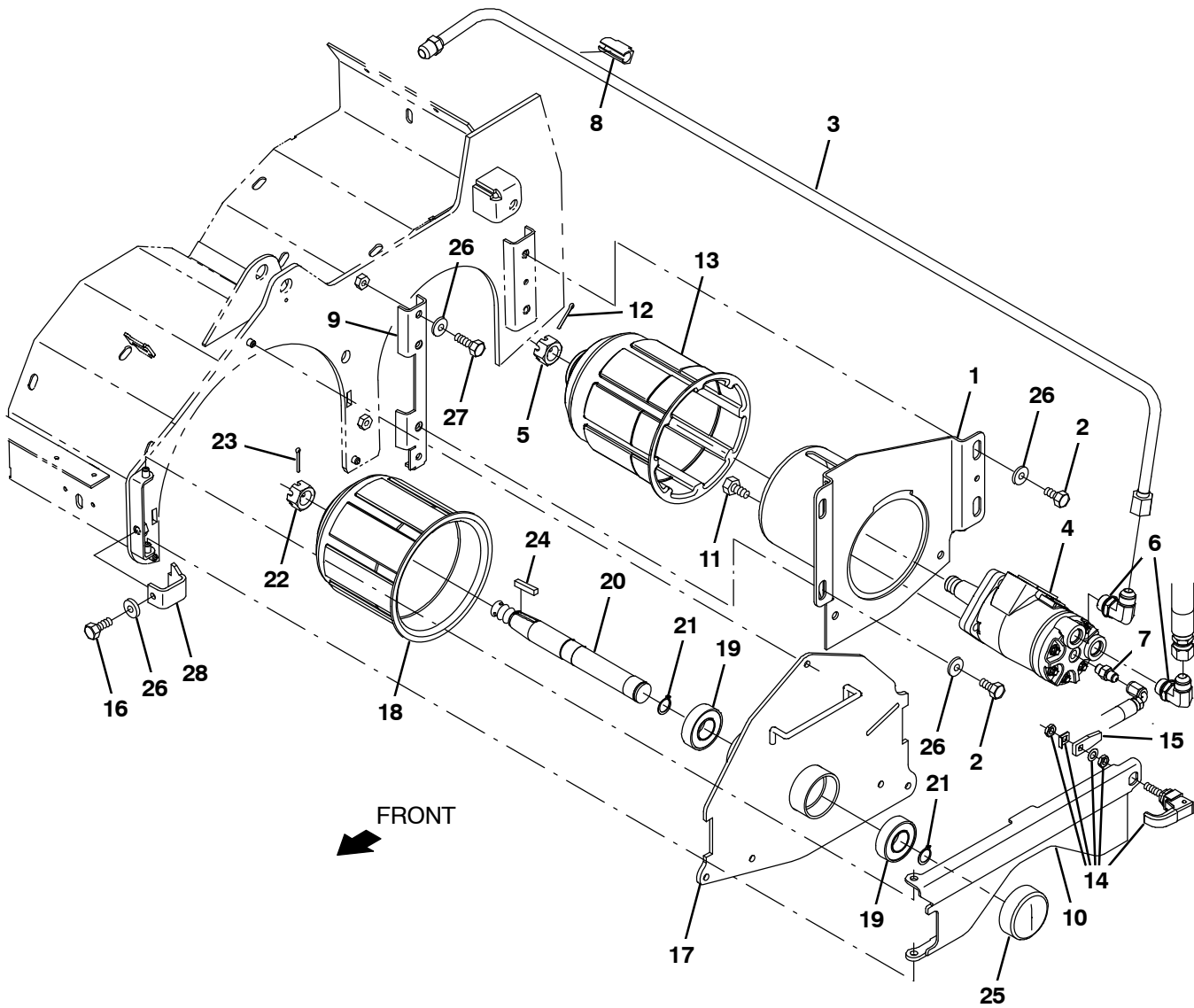




Fig. 29 – Cylindrical Scrub Brush Drive Group, Left Side

Ref.	Part No.	Serial Number	Description	Qty.
	1	1021019	(008000– ) Housing Wldt, Brush, Drive	1
	2	15675	(008000– ) Screw, Hex, M8 X 1.25 X 16, Ss	4
	3	1023617	(008000– ) Tube, Hyd, 08 Jf08/Jm08	1
▽	4	1068811	(008000– ) Motor, Hyd, Gear, Int 04.5 Bi–Dir 1500	1
▲	5	39527	(008000– ) Nut, Hex, Sltd, .75–18	1
	6	44868	(008000– ) Fitting, Hyd, E90, Jm08/Om08	2
	7	55586	(008000– ) Fitting, Hyd, Str, Jm04/Om04	1
	8	1026080	(008000– ) Clamp, Hyd, 0.50d	1
	9	1054575	(008000– ) Bracket, Sppt	1
	10	1029964	(008000– ) Door Wldt, Brush	1
	11	01762	(008000– ) Screw, Hex, .38–16 X 0.75, NI	4
	12	08175	(008000– ) Pin, Cotter, .125 X 1.25	1
	13	1057643	(008000– ) Plug Wldt, Drive, Brush, Sweep	1
	14	1065134	(008000– ) Latch, Cmpr, Yel Grip	1
	15	1026352	(008000– ) Pawl, Str	1
	16	09740	(008000– ) Screw, Hex, M8 X 1.25 X 20, Ss	1
▽		9012832	(008000– ) Idler Door Kit, Replmt [M20/T20/M30/T12]	2
▲	17	1054857	(008000– ) Door Wldt, Brush, Idler	1
▲	18	25686	(008000– ) Plug Wldt, Drive, Brush	1
▲	19	13534	(008000– ) Bearing, Ball, 0.98b 2.05d 0.59w	2
▲	20	56078	(008000– ) Shaft, Brush, Idler	1
▲	21	09005	(008000– ) Ring, Retaining, Ext, 1.00d, Basic	2
▲	22	12295	(008000– ) Nut, Hex, Sltd, M20 X 2.5, 8	1
▲	23	08175	(008000– ) Pin, Cotter, .125 X 1.25	1
▲	24	00927	(008000– ) Key, Sq, 0.25 X 0.25, 1.25l	1
▲	25	1074807	(008000– ) Cap, Vinyl, 57mmid X 23mml	1
	26	32491	(008000– ) Washer, Flat, 0.31, Std	7
	27	09010	(008000– ) Screw, Hex, M8 X 1.25 X 25, Ss	2
	28	1054682	(008000– ) Bracket, Retainer, Lh	1



Fig. 30 – Cylindrical Scrub Brush Drive Group, Right Side

Ref.	Part No.	Serial Number	Description	Qty.
	1	1021019	(008000– ) Housing Wldt, Brush, Drive	1
	2	15675	(008000– ) Screw, Hex, M8 X 1.25 X 16, Ss	4
	3	32491	(008000– ) Washer, Flat, 0.31, Std	7
▽	4	1068811	(008000– ) Motor, Hyd, Gear, Int 04.5 Bi-Dir 1500	1
▲	5	39527	(008000– ) Nut, Hex, Sltd, .75–16	1
	6	44868	(008000– ) Fitting, Hyd, E90, Jm08/Om08	2
	7	49266	(008000– ) Tie, Cable, Nyl, 07.3l .19w 1.8 Max D	2
	8	1026080	(008000– ) Clamp, Hyd, 0.50d	1
	9	1029964	(008000– ) Door Wldt, Brush	1
	10	1054610	(008000– ) Bracket, Retainer, Rh	1
	11	01762	(008000– ) Screw, Hex, .38–16 X 0.75, NI	4
	12	08175	(008000– ) Pin, Cotter, .125 X 1.25	1
	13	1057643	(008000– ) Plug Wldt, Drive, Brush, Sweep	1
	14	1065134	(008000– ) Latch, Cmpr, Yel Grip	1
	15	1026352	(008000– ) Pawl, Str	1
	16	1054575	(008000– ) Bracket, Sppt	1
▽		9012832	(008000– ) Idler Door Kit, Replmt [M20/T20/M30/T12]	2
▲	17	1054857	(008000– ) Door Wldt, Brush, Idler	1
▲	18	25686	(008000– ) Plug Wldt, Drive, Brush	1
▲	19	13534	(008000– ) Bearing, Ball, 0.98b 2.05d 0.59w	2
▲	20	09005	(008000– ) Ring, Retaining, Ext, 1.00d, Basic	2
▲	21	56078	(008000– ) Shaft, Brush, Idler	1
▲	22	12295	(008000– ) Nut, Hex, Sltd, M20 X 2.5, 8	1
▲	23	08175	(008000– ) Pin, Cotter, .125 X 1.25	1
▲	24	00927	(008000– ) Key, Sq, 0.25 X 0.25, 1.25l	1
▲	25	1074807	(008000– ) Cap, Vinyl, 57mmid X 23mml	1
	26	09740	(008000– ) Screw, Hex, M8 X 1.25 X 20, Ss	1
	27	1055139	(008000– ) Tube, Hyd, Brush Return, W/ Cd [M20/T20]	1
	28	39210	(008000– ) Fitting, Hyd, E90, Jf04/Jm04	1
	29	55586	(008000– ) Fitting, Hyd, Str, Jm04/Om04	1
	30	09010	(008000– ) Screw, Hex, M8 X 1.25 X 25, Ss	2

**Fig. 31 - Cylindrical Scrub Brush Head Lift Group**

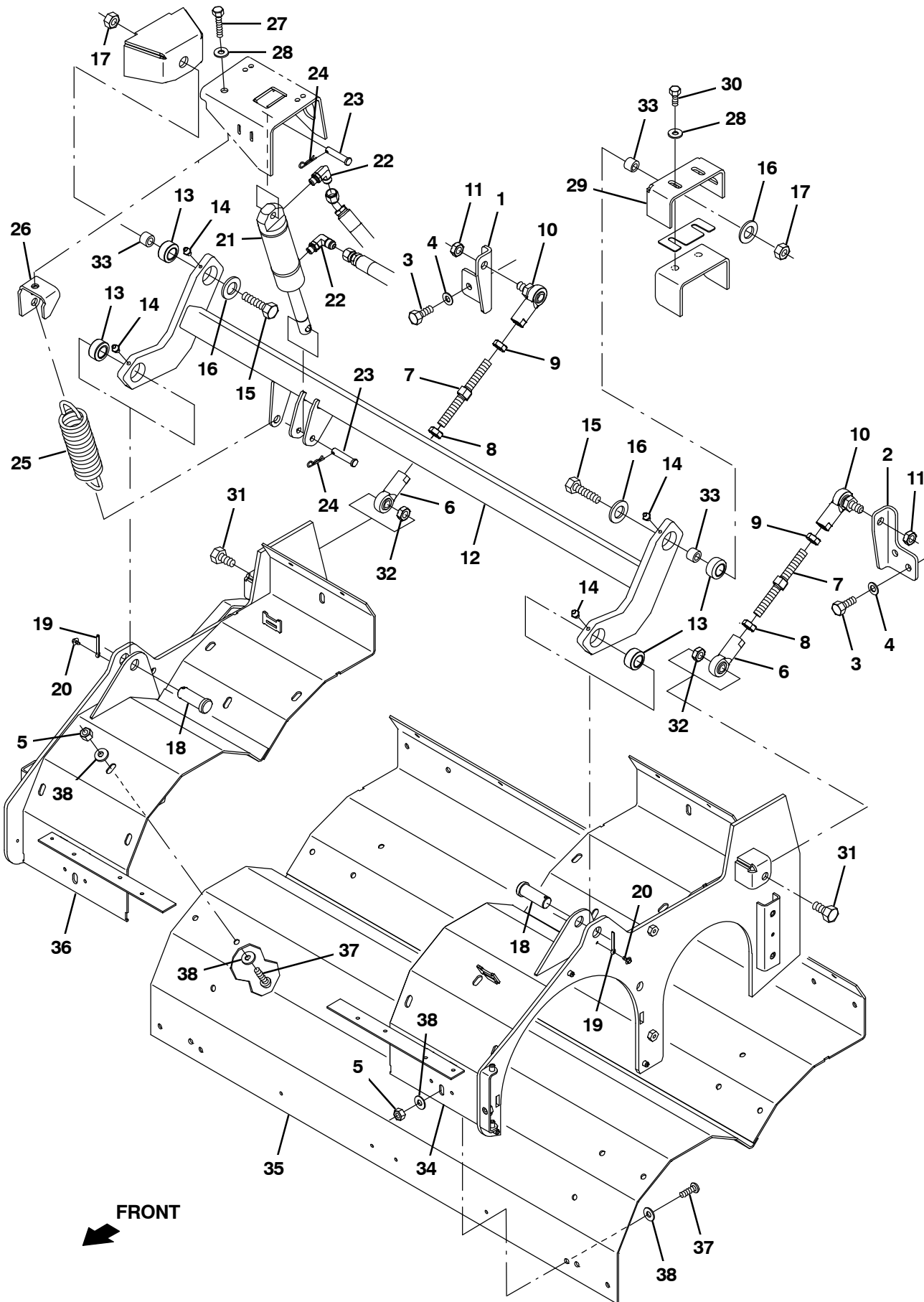


Fig. 31 – Cylindrical Scrub Brush Head Lift Group

Ref.	Part No.	Serial Number	Description	Qty.
1	1030910	(008000–	) Bracket, Mtg, Scb Head, Rh	1
2	1030911	(008000–	) Bracket, Mtg, Scb Head, Lh	1
3	09028	(008000–	) Screw, Hex, M10 X 1.5 X 25, Ss	4
4	32485	(008000–	) Washer, Flat, 0.38 Sae	4
5	08713	(008000–	) Nut, Hex, Lock, M8 X 1.25, NI, Ss	10
6	67555	(008000–	) Rod–End, .50–20rh Fem 0.50b	2
7	1014705	(008000–	) Rod, Thrd, 2 End, .50–20 04.9l, Rh / Lh	2
8	48985	(008000–	) Nut, Hex, Jam, .50–20	2
9	71369	(008000–	) Nut, Hex, Jam, .50–20, Lh	2
10	382099	(008000–	) Rod–End, .50–20lh Fem 0.50–20stud	2
11	51824	(008000–	) Nut, Hex, Lock, .50–20, NI, Thin	2
12	1020003	(008000–	) Tube Wldt, Torque	1
13	42120	(008000–	) Bearing, Self Align, 0.75b 1.25d	4
14	07259	(008000–	) Fitting, Grease, Str Pm04 .47l	4
15	06969	(008000–	) Screw, Hex, M12 X 1.75 X 40, 8.8	2
16	41619	(008000–	) Washer, Flat, 0.56b 1.38d .11, Ss	2
17	09741	(008000–	) Nut, Hex, Lock, M12 X 1.75, NI, Ss	2
18	04733–12	(008000–	) Pin, Clevis, 0.75d X 2.00l	2
19	08236	(008000–	) Pin, Cotter, .156 X 1.25	2
20	223198	(008000–	) Screw, Hex, M5 X 0.8 X 10, Fmg	2
21	1038137	(008000–	) Cylinder, Hyd, 1.5b 07.8l 02.80strk 2500	1
22	77098	(008000–	) Fitting, Hyd, E90, Jm06/Om04	2
23	17461	(008000–	) Pin, Clevis, 0.37d X 1.75l	2
24	86866	(008000–	) Pin, Cotter, Hair, 0.38d .072 Wir	2
25	1042686	(008000–	) Spring, Extn, 2.00od 0.25wir 07.5l	1
26	1027810	(008000–	) Bracket, Mtg, Spring	1
27	763090	(008000–	) Screw, Hex, M8 X 1.25 X 60, FI	1
28	32491	(008000–	) Washer, Flat, 0.31, Std	4
29	1019146	(008000–	) Bracket, Mtg, Lift, Scb Head	1
30	09740	(008000–	) Screw, Hex, M8 X 1.25 X 20, Ss	3
31	39811	(008000–	) Screw, Hex, .50–13 X 1.50, 5	2
32	36644	(008000–	) Nut, Hex, Lock, .50–13, NI, Thin	2
33	1025100	(008000–	) Sleeve, P/M, 0.47b 0.75d 0.5l [430ss]	3
34	1052342	(008000–	) Bracket Wldt, Brush Wrap, Lh	1
35	1069562	(008000–	) Plate Wldt, Wrap, Brush	1
36	1052124	(008000–	) Bracket Wldt, Brush Wrap Mtg, Rh	1
37	223470	(008000–	) Screw, Btn, M8 X 1.25 X 25, Ss	10
38	32491	(008000–	) Washer, Flat, 0.31, Std	20

Fig. 32 - Cylindrical Brush Head Skirt Group

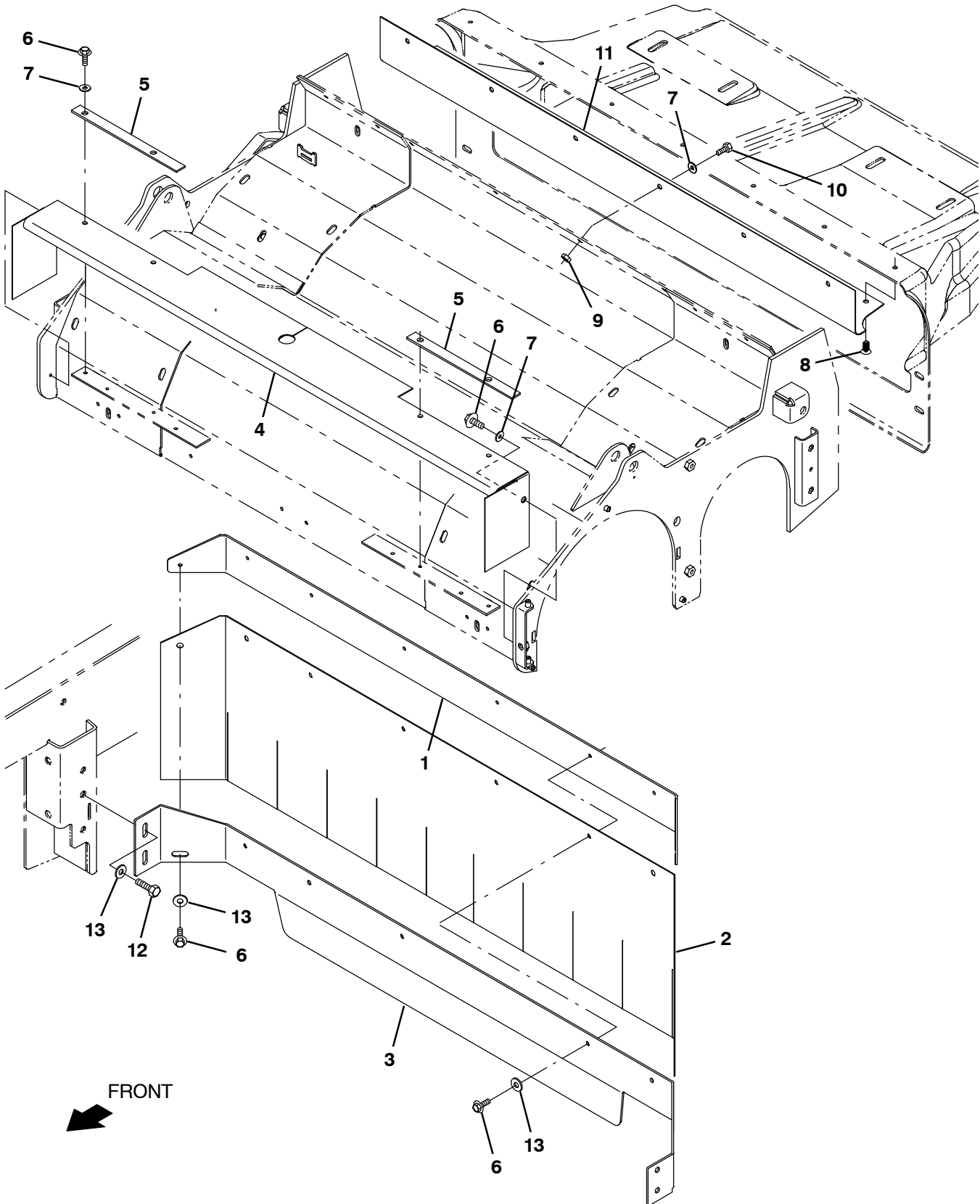


Fig. 32 - Cylindrical Brush Head Skirt Group

Ref.	Part No.	Serial Number	Description	Qty.
1	1040018	(008000-	) Plate, Skirt, Front	1
2	1020166	(008000-	) Skirt, Neo, .06, 12.00w 45.88l, 07 Hole	1
3	1039396	(008000-	) Bracket, Mtg, Skirt	1
4	1022363	(008000-	) Skirt, Neo, .06, 07.63w 51.52l, 11 Hole	1
5	1022003	(008000-	) Retainer, Skirt	2
6	361339	(008000-	) Screw, Hex, M6 X 1.0 X 16, Fmg	14
7	01684	(008000-	) Washer, Flat, 0.25, Ss	16
8	21168	(008000-	) Clip, .250h, Plstc [Pine-tree]	7
9	08712	(008000-	) Nut, Hex, Lock, M6 X 1.00, Ss, NI	6
10	08716	(008000-	) Screw, Hex, M6 X 1.0 X 20, Ss	6
11	1034915	(008000-	) Seal, Debris	1
12	09740	(008000-	) Screw, Hex, M8 X 1.25 X 20, Ss	4
13	01685	(008000-	) Washer, Flat, 0.31, Ss	9

**Fig. 33 – Disk Scrub Head Drive Motor Group**

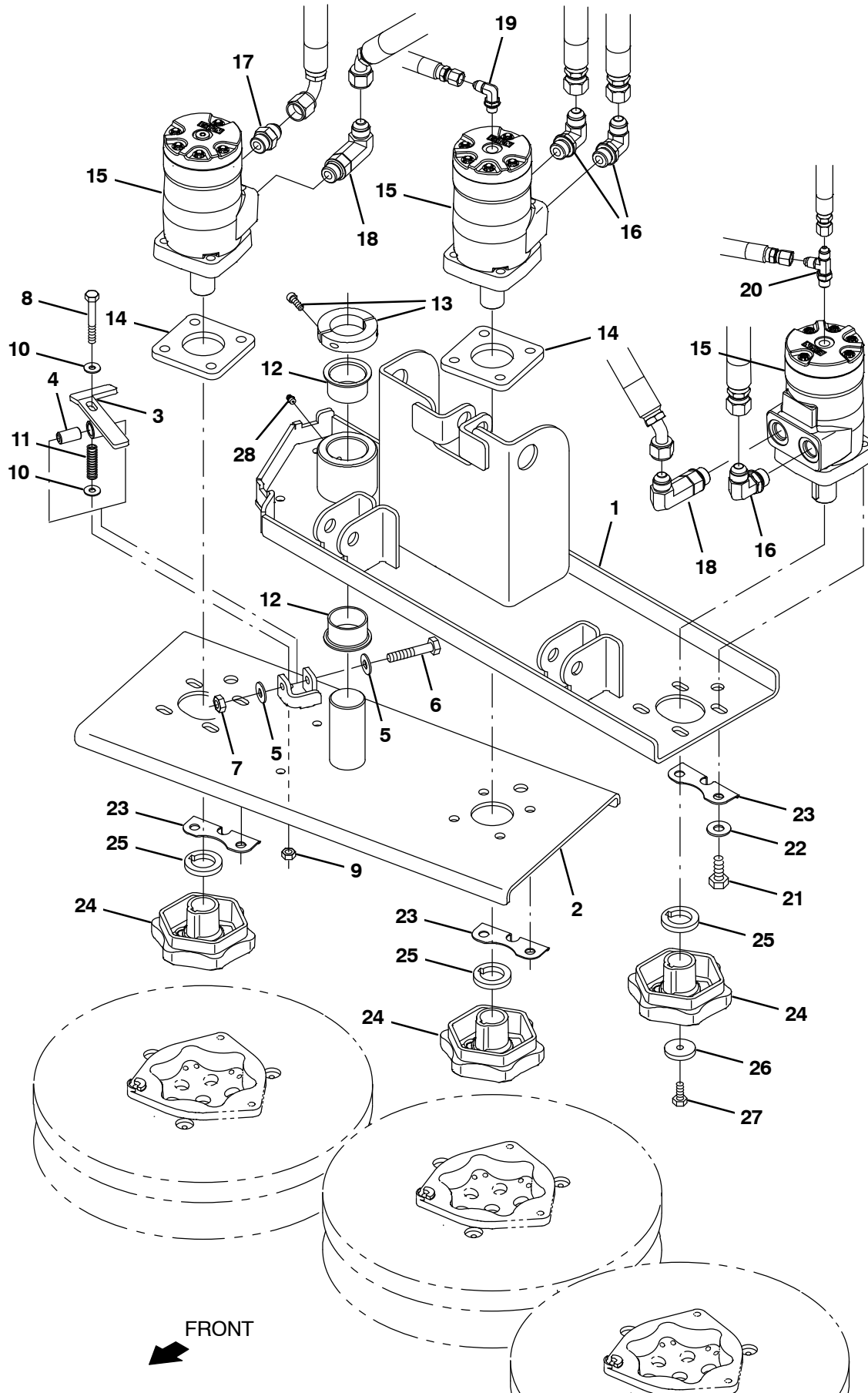




Fig. 33 - Disk Scrub Head Drive Motor Group

Ref.	Part No.	Serial Number	Description	Qty.
	1	9003247	(008000- ) Head Wldt, Disk, Std, Replmt	1
	1	9003249	(008000- ) Head Wldt, Disk, Replmt, Jp (Japn Only)	1
	2	1026101	(008000- ) Head Wldt, Swing, Lower, 14.0	1
▽		9003061	(008000- ) Latch Kit, Disk, Replmt [T20]	1
▲	3	1031286	(008000- ) Latch Wldt, Head, Disk	1
▲	4	222496	(008000- ) Sleeve, P/M, 0.31b 0.50d 0.9l [430ss]	1
▲	5	01685	(008000- ) Washer, Flat, 0.31, Ss	2
▲	6	49694	(008000- ) Screw, Hex, M8 X 1.25 X 50, Ss	1
▲	7	08713	(008000- ) Nut, Hex, Lock, M8 X 1.25, NI, Ss	1
▲	8	58979	(008000- ) Screw, Hex, M6 X 1.0 X 55, Ss	1
▲	9	08712	(008000- ) Nut, Hex, Lock, M6 X 1.00, Ss, NI	1
▲	10	01684	(008000- ) Washer, Flat, 0.25, Ss	2
▲	11	1031217	(008000- ) Spring, Cmpr, 0.42od .06wir 1.50l	1
	12	54620	(008000- ) Bushing, Flng, 1.50b 1.65d 1.00l	2
	13	70624	(008000- ) Collar, Split, 1.50b .50w 2/Bolt	1
	14	1025968	(008000- ) Spacer	2
	15	1068924	(008000- ) Motor, Hyd, Gear, Int 09.7 Bi-Dir 2500	3
	16	44868	(008000- ) Fitting, Hyd, E90, Jm08/Om08	3
	17	44869	(008000- ) Fitting, Hyd, Str, Jm08/Om08	1
	18	69173	(008000- ) Fitting, Hyd, E90, Jm08/Om08, L	2
	19	77097	(008000- ) Fitting, Hyd, E90, Jm04/Om04	1
	20	34390	(008000- ) Fitting, Hyd, Tee, Jm04/Jm04/Om04, Run	1
	21	21197	(008000- ) Screw, Hex, .38-16 X 1.00, G5	12
	22	32492	(008000- ) Washer, Flat, 0.38, Std	12
	23	1028495	(008000- ) Brkt, Ftg	3
	24	1042963	(008000- ) Hub, Drive, Brush, Disk, 1.00B [6T]	3
	25	25611	(008000- ) Spacer, Hub, Keyed	3
	26	19191	(008000- ) Spacer	3
	27	25046	(008000- ) Screw, Hex, .25-20 X 1.00, G5	3
	28	07259	(008000- ) Fitting, Grease. Str Pm04 .47L	1

**Fig. 34 - Disk Scrub Head Lift Group**

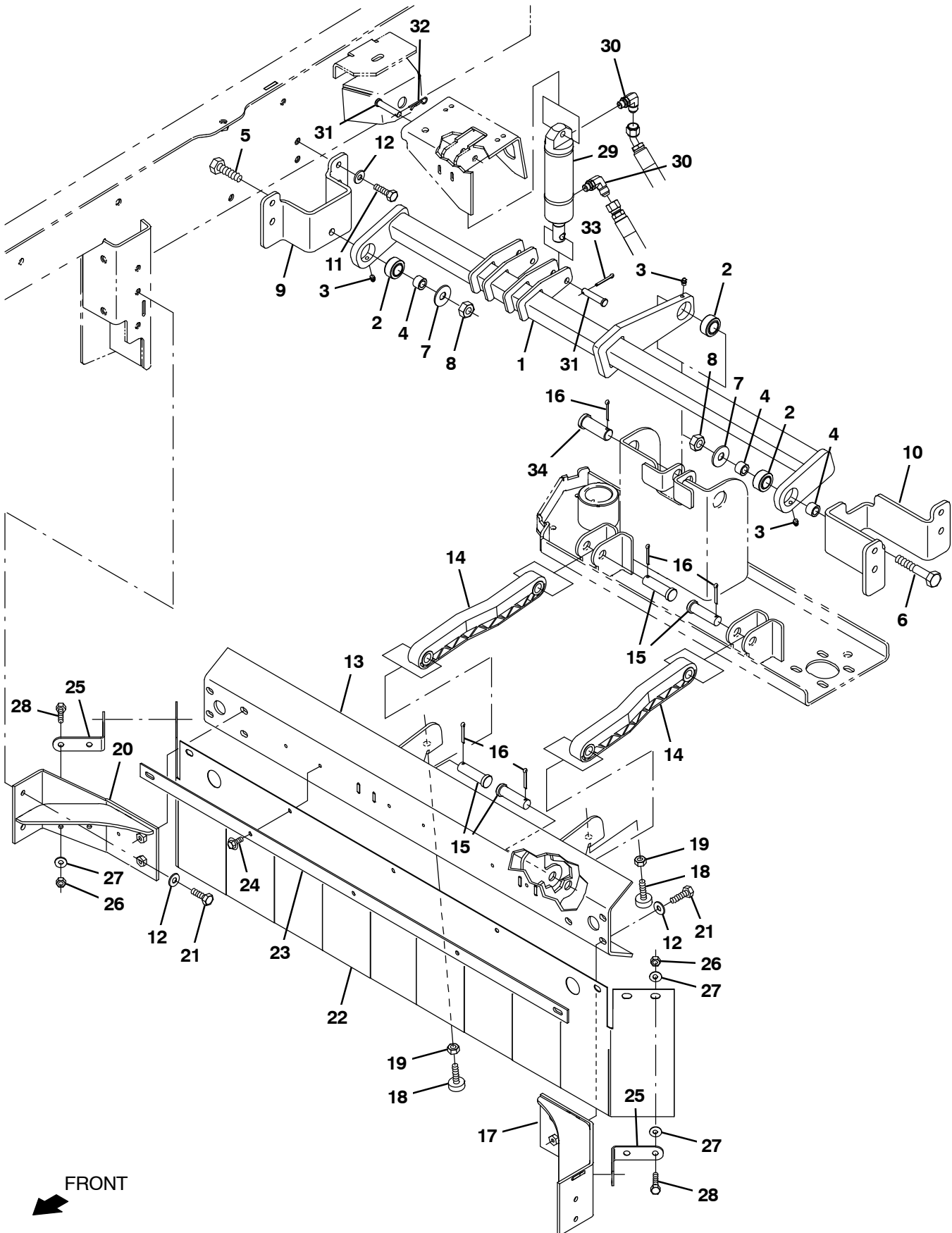


Fig. 34 - Disk Scrub Head Lift Group

Ref.	Part No.	Serial Number	Description	Qty.
1	1026130	(008000-	) Tube Wldt, Torque	1
2	42120	(008000-	) Bearing, Self Align, 0.75b 1.25d	3
3	07259	(008000-	) Fitting, Grease, Str Pm04 .47l	3
4	1025100	(008000-	) Sleeve, P/M, 0.47b 0.75d 0.5l [430ss]	3
5	06969	(008000-	) Screw, Hex, M12 X 1.75 X 40, 8.8	1
6	06972	(008000-	) Screw, Hex, M12 X 1.75 X 60, 8.8	1
7	41619	(008000-	) Washer, Flat, 0.56b 1.38d .11, Ss	2
8	09741	(008000-	) Nut, Hex, Lock, M12 X 1.75, NI, Ss	2
9	1025041	(008000-	) Bracket, Mtg, Torque Tube	1
10	1030558	(008000-	) Bracket, Mtg, Torque Tube	1
11	09010	(008000-	) Screw, Hex, M8 X 1.25 X 25, Ss	8
12	32491	(008000-	) Washer, Flat, 0.31, Std	16
13	1039469	(008000-	) Bracket Wldt, Arm, Lower Cntrl	1
14	222027	(008000-	) Arm, Lift, Head [5700]	2
15	222210	(008000-	) Pin, Clevis, 0.62d X 2.12l	4
16	08175	(008000-	) Pin, Cotter, .125 X 1.25	5
17	1025198	(008000-	) Bracket Wldt, Head, Lower, Lh	1
18	1039468	(008000-	) Bumper, Rbr, 1.00d 0.38th M8x1.25	2
19	07786	(008000-	) Nut, Hex, Std, M8 X 1.25, Ss	2
20	1025320	(008000-	) Bracket Wldt, Head, Lower, Rh	1
21	09740	(008000-	) Screw, Hex, M8 X 1.25 X 20, Ss	8
22	1028433	(008000-	) Skirt, Front, Disk Head	1
23	1028446	(008000-	) Retainer, Skirt, Disk Head	1
24	361339	(008000-	) Screw, Hex, M6 X 1.0 X 16, Fmg	5
25	1028440	(008000-	) Bracket, Angle, Sppt, Shield	2
26	08712	(008000-	) Nut, Hex, Lock, M6 X 1.00, Ss, NI	8
27	01684	(008000-	) Washer, Flat, 0.25, Ss	12
28	08716	(008000-	) Screw, Hex, M6 X 1.0 X 20, Ss	8
29	1038137	(008000-	) Cylinder, Hyd, 1.5b,07.8l,02.80strk,2500	1
30	77098	(008000-	) Fitting, Hyd, E90, Jm06/Om04	2
31	17461	(008000-	) Pin, Clevis, 0.37d X 1.75l	2
32	86866	(008000-	) Pin, Cotter, Hair, 0.38d .072 Wir	1
33	08179	(008000-	) Pin, Cotter, .094 X 1.00	1
34	04733-12	(008000-	) Pin, Clevis, 0.75d X 2.00l	1

**Fig. 35 - Squeegee Lift Group, Rear**

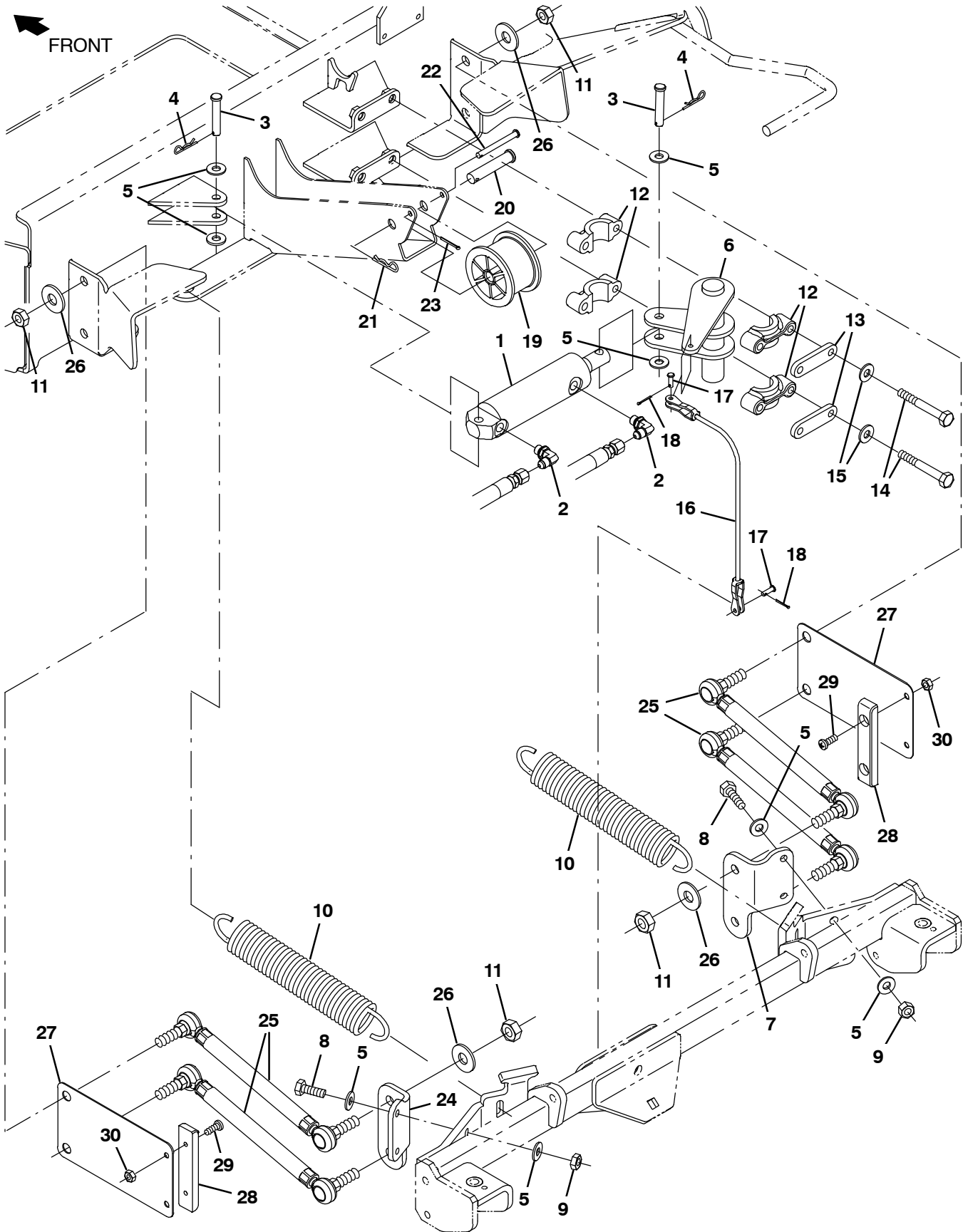


Fig. 35 - Squeegee Lift Group, Rear

Ref.	Part No.	Serial Number	Description	Qty.	
1	1038137	(008000-	) Cylinder, Hyd, 1.5b,07.8l,02.80strk,2500	1	
2	77097	(008000-	) Fitting, Hyd, E90, Jm04/Om04	2	
3	29584	(008000-	) Pin, Clevis, 0.37d X 2.00l	2	
4	86866	(008000-	) Pin, Cotter, Hair, 0.38d .072 Wir	2	
5	01685	(008000-	) Washer, Flat, 0.31, Ss	12	
6	1022903	(008000-	) Shaft Wldt, Arm, Lift	1	
7	1026804	(008000-	) Angle, Protector, Lh	1	
8	09011	(008000-	) Screw, Hex, M8 X 1.25 X 30, Ss	4	
9	08713	(008000-	) Nut, Hex, Lock, M8 X 1.25, NI, Ss	4	
10	71100	(008000-	) Spring, Extn, 1.69od X 0.20wir, 9.5l	2	
11	09741	(008000-	) Nut, Hex, Lock, M12 X 1.75, NI, Ss	8	
12	381502	(008000-	) Bearing, Split, 1.00b	4	
13	382224	(008000-	) Plate, Sppt	2	
14	09767	(008000-	) Screw, Hex, M8 X 1.25 X 70, Ss	4	
15	32491	(008000-	) Washer, Flat, 0.31, Std	4	
16	71101	(008000-	) Cable, Ss .12d 013.3l .2clevis /.2clevis	1	
17	77488	(008000-	) Pin, Clevis, 0.19d X 0.63l	2	
18	39005	(008000-	) Pin, Cotter, .094X0.75	2	
19	223054	(008000-	) Drum, Cable, Lift	1	
20	06279	(008000-	) Pin, Clevis, 0.50d X 2.50l	1	
21	08179	(008000-	) Pin, Cotter, .094 X 1.00	1	
22	04733-10	(008000-	) Pin, Clevis, 0.25d X 2.44l	1	
23	08178	(008000-	) Pin, Cotter, .062 X 0.75	1	
24	1026806	(008000-	) Angle, Protector, Rh	1	
25	1026007	(008000-	) Link Assy, Rod-End, M12	4	
26	41619	(008000-	) Washer, Flat, 0.56b 1.38d .11, Ss	8	
▽	9003060	(008000-	) Spring Kit, Flat, Replmt [T20]	1	
▲	27	1028049	(008000-	) Spring, Flat, .06 X 4.13 X 6.5l 4 Hole	2
▲	28	1024648	(008000-	) Block, Centering	2
▲	29	367770	(008000-	) Screw, Pan, M6 X 1.0 X 16, Ss	4
▲	30	08712	(008000-	) Nut, Hex, Lock, M6 X 1.00, Ss, NI	4

**Fig. 36 – Squeegee Group, Rear**

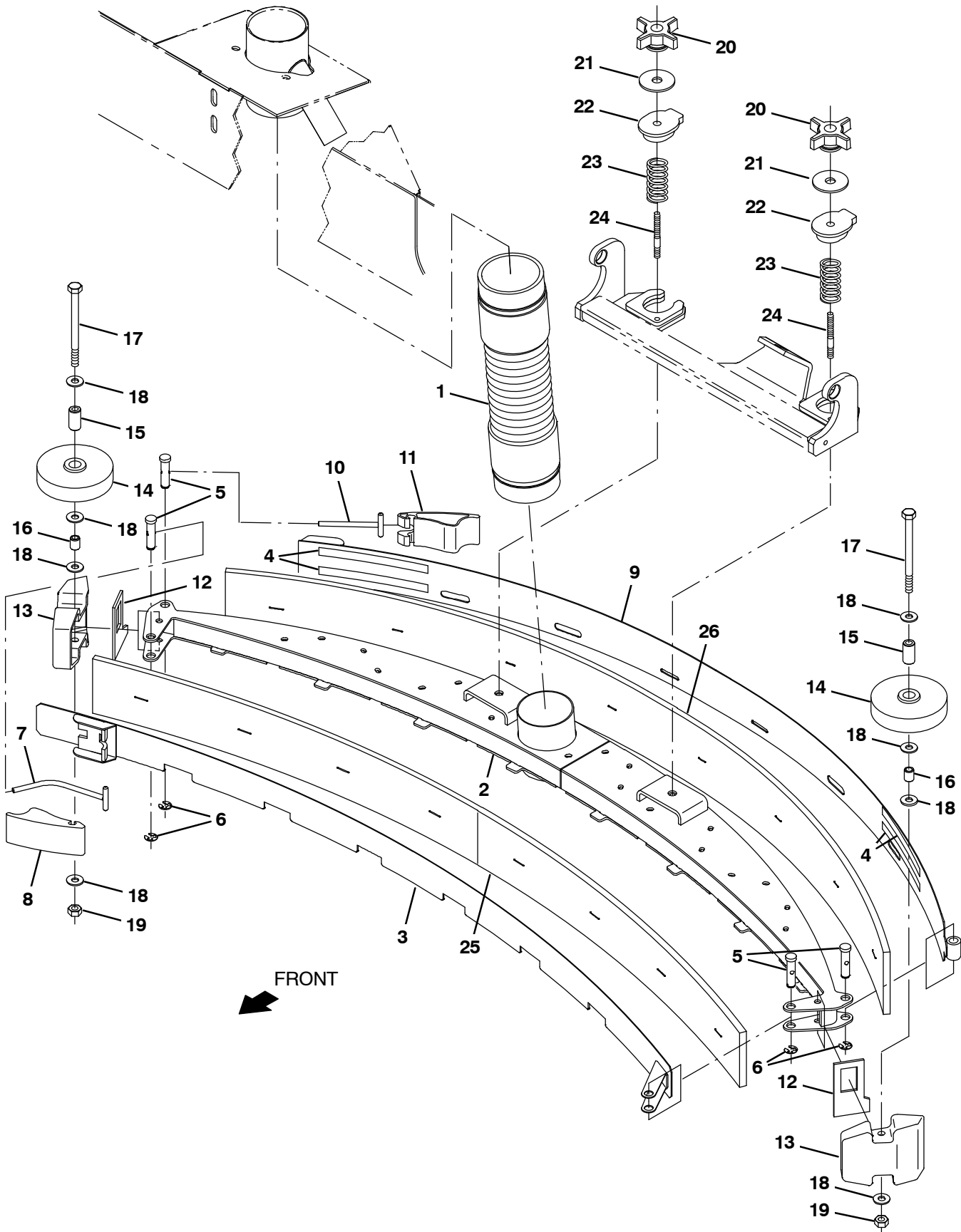


Fig. 36 - Squeegee Group, Rear

Ref.	Part No.	Serial Number	Description	Qty.
	1	1028236	(008000-009633 ) Hose Assy, W/2cuff, 3.0d 14l 3.0/3.0	1
	1	1233968	(009634- ) Hose Assy, W/2cuff, 3.0d 14l 3.0/3.0	1
▽		9004493	(008000- ) Squeegee Kit, Rear, Replmt [M20/T20]	1
▲	2	1022831	(008000- ) Squeegee Wldt, Rear	1
▲	3	1023239	(008000- ) Clamp Wldt, Front	1
▲	4	03495	(008000- ) Strip, Non-Slip, 0.50w 06.0l	4
▲	5	21603	(008000- ) Pin, Grvd, 0.43d 01.8l [303ss]	4
▲	6	24555	(008000- ) Ring, Retaining, Ext, 0.38d, [E-Ring]	4
▲	7	386298	(008000- ) Pin Wldt, Front	1
▲	8	1222020	(008000- ) Cam, Front, Yellow	1
▲	9	1028374	(008000- ) Clamp Wldt, Rear	1
▲	10	21606	(008000- ) Bar Wldt, Retainer, Sqge, Rear	1
▲	11	1208906	(008000- ) Cam, Rear, Yellow	1
▲	12	83874	(008000- ) Gasket, Sqge	2
▲	13	386264	(008000- ) Bumper, Sqge	2
▲	14	363162	(008000- ) Wheel, 4.0d 0.89w 0.64b	2
▲	15	363301	(008000- ) Sleeve, P/M, 0.34b 0.63d 1.2l, Bnz	2
▲	16	80395	(008000- ) Sleeve, P/M, 0.31b 0.50d 0.7l [430ss]	2
▲	17	364441	(008000- ) Screw, Hex, M8 X 1.25 X 110, Ss	2
▲	18	01685	(008000- ) Washer, Flat, 0.31, Ss	8
▲	19	08713	(008000- ) Nut, Hex, Lock, M8 X 1.25, NI, Ss	2
	20	1218322	(008000- ) Knob, Star, 2.75d 4ear, M8x1.25 Fem	2
	21	04414	(008000- ) Washer, Flat, 0.53b 1.88d .12, Stl, PI	2
	22	387433	(008000- ) Ring, Mtg, Sqge, .50l	2
	23	387500	(008000- ) Spring, Cmpr, 0.9od .042wir 02.0l	2
	24	1226700	(008000- ) Stud, M8 X 1.25, 2.75l M8 X 1.25, Ss	2
	25	1027719	(008000- ) Blade, Sqge, Front, 49.58l Ure (Option)	1
	25	1017868	(008000- ) Blade, Sqge, Front, 49.58l [Linard]	1
	26	1031945	(008000- ) Blade, Sqge, Rear, 53.78l Ure (Option)	1
	26	1031331	(008000- ) Blade, Sqge, Rear, Linatex	1

# STANDARD PARTS

Fig. 37 – Cylindrical Scrub Head Debris Tray Mount Group

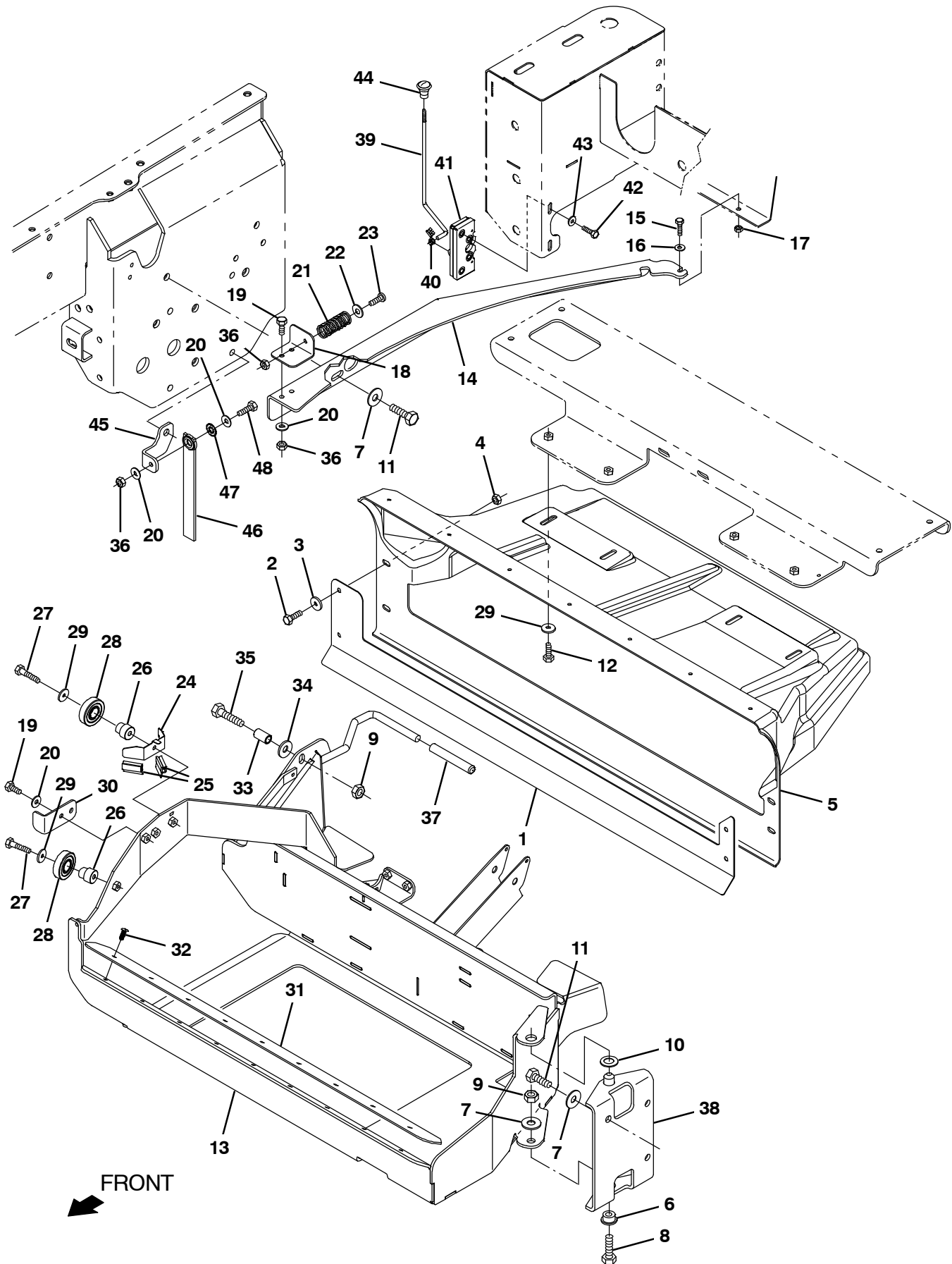




Fig. 37 – Cylindrical Scrub Head Debris Tray Mount Group

Ref.	Part No.	Serial Number	Description	Qty.
▽		9003059	(008000– ) Shield Kit, Debris, Replmt [T20]	1
▲	1	1028334	(008000– ) Bracket, Sppt, Shield	1
▲	2	09010	(008000– ) Screw, Hex, M8 X 1.25 X 25, Ss	4
▲	3	1017218	(008000– ) Washer, Flat, 0.32b 1.00d .12, Ss	4
▲	4	08713	(008000– ) Nut, Hex, Lock, M8 X 1.25, NI, Ss	4
▲	5	1024658	(008000– ) Shield, Tray, Debris [Trimmed]	1
	6	391804	(008000– ) Sleeve, Flng, 0.48b 1.25/0.88d 0.6l, Stl	1
	7	32493	(008000– ) Washer, Flat, 0.50, Std	7
	8	09029	(008000– ) Screw, Hex, M12 X 1.75 X 40, Ss	1
	9	09741	(008000– ) Nut, Hex, Lock, M12 X 1.75, NI, Ss	2
	10	53782	(008000– ) Bearing, Thrust, 0.75b 1.25d 0.06w	1
	11	12309	(008000– ) Screw, Hex, M12 X 1.75 X 30, Ss	6
	12	09010	(008000– ) Screw, Hex, M8 X 1.25 X 25, Ss	4
	13	1023334	(008000– ) Frame Wldt, Hppr	1
	14	1022683	(008000– ) Guide, Rlr	1
	15	08716	(008000– ) Screw, Hex, M6 X 1.0 X 20, Ss	1
	16	01684	(008000– ) Washer, Flat, 0.25, Ss	1
	17	08712	(008000– ) Nut, Hex, Lock, M6 X 1.00, Ss, NI	1
	18	1027108	(008000– ) Bracket, Spring	1
	19	09740	(008000– ) Screw, Hex, M8 X 1.25 X 20, Ss	4
	20	01685	(008000– ) Washer, Flat, 0.31, Ss	6
	21	45261	(008000– ) Spring, Cmpr, 0.97od .11wir 2.5l	1
	22	01686	(008000– ) Washer, Flat, 0.44b 1.00d .08, Ss	1
	23	367771	(008000– ) Screw, Pan, M8 X 1.25 X 25, Ss	1
	24	1027147	(008000– ) Clip, Wiper	1
	25	1031351	(008000– ) Seal, Wiper	2
	26	1023685	(008000– ) Spacer, Rlr	2
	27	222505	(008000– ) Screw, Hex, M8 X 1.25 X 45, Ss	2
	28	760740	(008000– ) Bearing, Rlr, Cam 52 X 14 X 20	2
	29	1017218	(008000– ) Washer, Flat, 0.32b 1.00d .12, Ss	6
	30	1027143	(008000– ) Bracket, Angle, Stop	1
▽	31	9003058	(008000– ) Lip Kit, Debris, Replmt [T20]	1
▲	32	21168	(008000– ) Clip, .250h, Plstc [Pine-Tree]	9
	33	1039348	(008000– ) Sleeve, 0.49b 0.68d 1.2l [304ss]	1
	34	36328	(008000– ) Washer, Flat, Belleville, .50	1
	35	379870	(008000– ) Screw, Hex, M12 X 1.75 X 55, Ss	1
	36	08713	(008000– ) Nut, Hex, Lock, M8 X 1.25, NI, Ss	4
	37	1028249	(008000– ) Grip, Handle, .50d 4.0l Yel	1
	38	1022668	(008000– ) Bracket Wldt, Pivot	1
	39	1023917	(008000– ) Rod, Latch	1
	40	1031305	(008000– ) Clip, Retainer, .25d	1
	41	21623	(008000– ) Latch	1
	42	09007	(008000– ) Screw, Hex, M6 X 1.0 X 25, Ss	2
	43	41185	(008000– ) Washer, Flat, Belleville, .25	2
	44	1032546	(008000– ) Knob, Rnd, 1.04d 1.18l .25–20 Yel Plstc	1
	45	1031152	(008000– ) Bracket, Mtg, Static Strap	1
	46	71579	(008000– ) Strap, Static, .19 1.1w 25.0l W/ Grommet	1
	47	41141	(008000– ) Washer, Lock, Int–Ext, 0.31	1
	48	09011	(008000– ) Screw, Hex, M8 X 1.25 X 30, Ss	1

**Fig. 38 – Cylindrical Scrub Head Debris Tray Group**

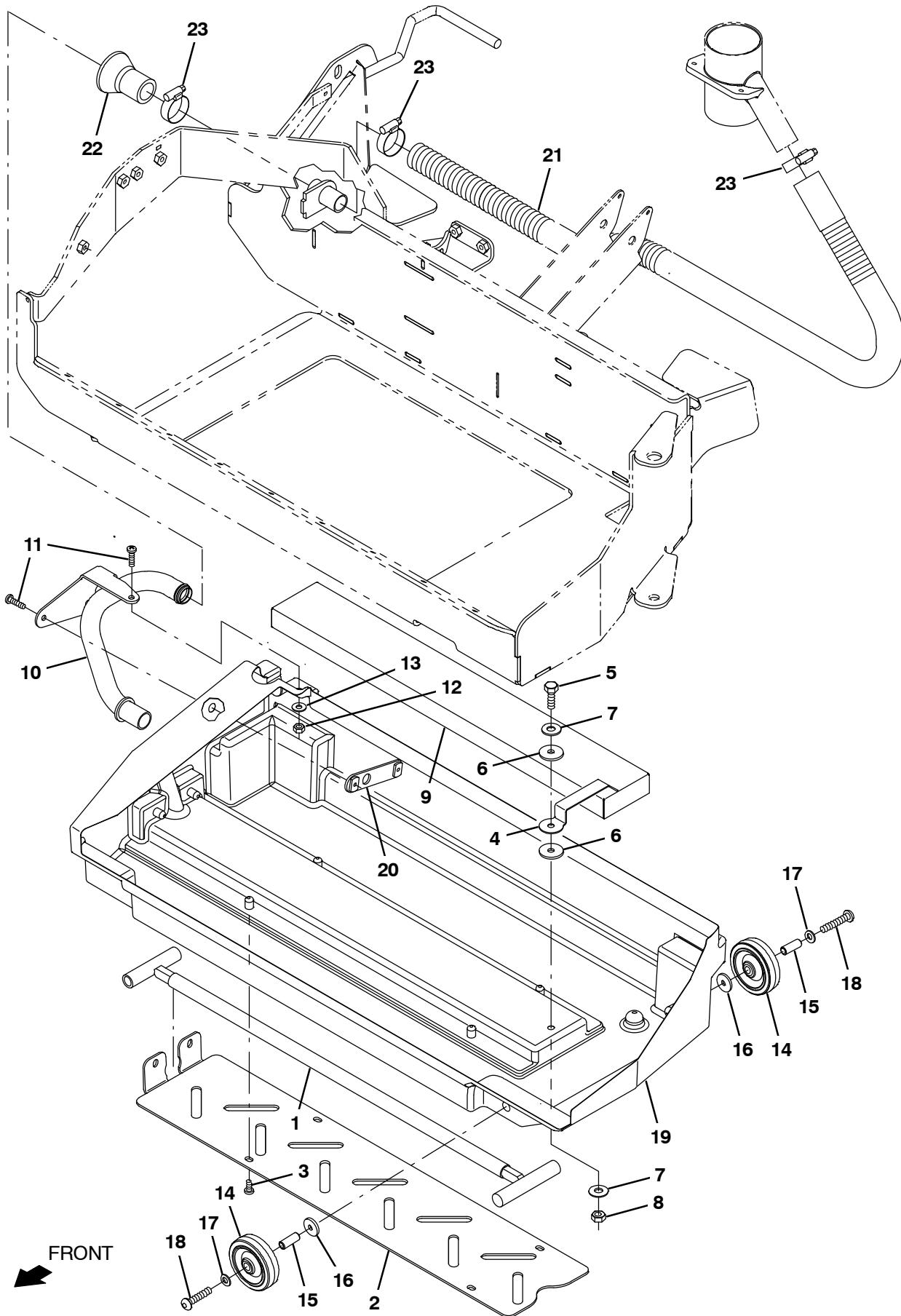


Fig. 38 - Cylindrical Scrub Head Debris Tray Group

Ref.	Part No.	Serial Number	Description	Qty.
▽	9003055	(008000-	) Tray Kit, Debris, Replmt [T20]	1
▲	1 1026417	(008000-	) Handle Wldt, T, Hpr	1
▲	2 1026195	(008000-	) Panel, Access, Debris Tray	1
▲	3 74027	(008000-	) Screw, Pan, M6 X 1.0 X 12, Ss, NI	6
▲	4 1026900	(008000-	) Spring, Flat, Retainer, Screen	1
▲	5 09010	(008000-	) Screw, Hex, M8 X 1.25 X 25, Ss	1
▲	6 222268	(008000-	) Washer, Flat, 0.38b 1.25d .12, Neo	2
▲	7 01686	(008000-	) Washer, Flat, 0.44b 1.00d .08, Ss	2
▲	8 08713	(008000-	) Nut, Hex, Lock, M8 X 1.25, NI, Ss	1
▲	9 1024309	(008000-	) Strainer Wldt, Trough, Debris 4.3w 15.L	1
▲	10 1026831	(008000-	) Tube Wldt, Vacuum	1
▲	11 1019526	(008000-	) Screw, Pan, M6 X 1.0 X 25, Ss	3
▲	12 08712	(008000-	) Nut, Hex, Lock, M6 X 1.00, Ss, NI	1
▲	13 01684	(008000-	) Washer, Flat, 0.25, Ss	1
▲	14 81582	(008000-	) Wheel, 3.0d 0.87w 0.44b, Rbr, Pp Core	2
▲	15 393129	(008000-	) Sleeve, P/M, 0.31B 0.44D 1.2L [430Ss]	2
▲	16 1017218	(008000-	) Washer, Flat, 0.32b 1.00d .12, Ss	2
▲	17 39349	(008000-	) Washer, Flat, 0.31, Sae	2
▲	18 397826	(008000-	) Screw, Btn, M8 X 1.25 X 40, Ss	2
▲	19 1024450	(008000-	) Tray, Debris, Trimmed	1
▲	20 1037343	(008000-	) Plate, Mtg, Vacuum Tube	1
	21 1040098	(008000-	) Hose Assy, W/1cuff, 1.0d, 030l 1.25/	1
	22 1023063	(008000-	) Coupling, Tube, Vacuum	1
	23 11399	(008000-	) Clamp, Hose, Wormdrive, 0.81-1.50d, .50w	3

**Fig. 39 – Squeegee Linkage Group, Rear**

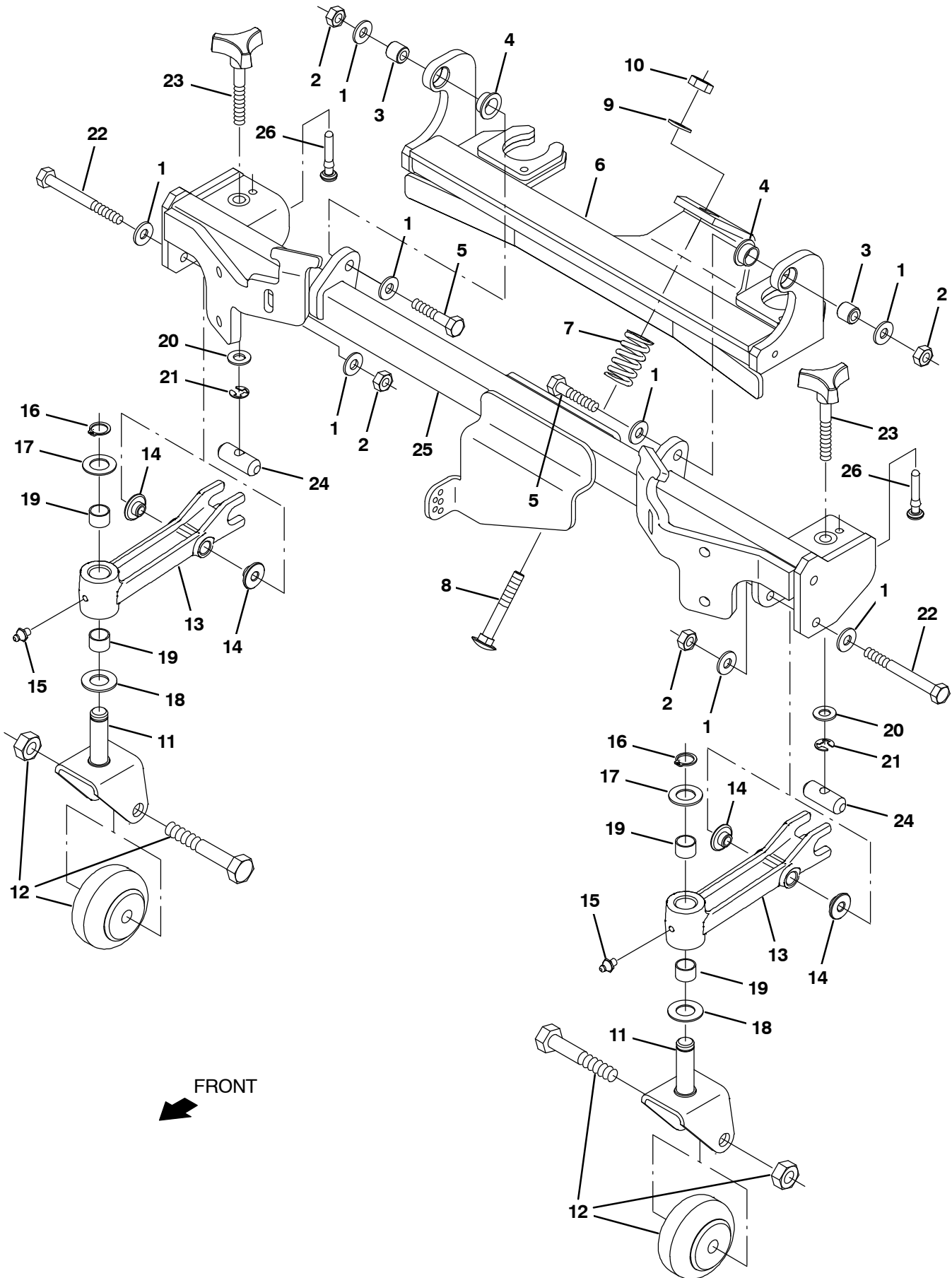


Fig. 39 - Squeegee Linkage Group, Rear

Ref.	Part No.	Serial Number	Description	Qty.
1	01685	(008000-	) Washer, Flat, 0.31, Ss	8
2	08713	(008000-	) Nut, Hex, Lock, M8 X 1.25, NI, Ss	4
3	80409	(008000-	) Sleeve, P/M, 0.34b 0.63d 0.6l, Bnz	2
4	25735	(008000-	) Bushing, Flng, 0.63b 0.75d 0.38l	2
5	222505	(008000-	) Screw, Hex, M8 X 1.25 X 45, Ss	2
6	1023476	(008000-	) Bracket Wldt, Mtg, Sqge	1
7	65180	(008000-	) Spring, Dsl, 1.00od 0.50id 1.7l	1
8	1025601	(008000-	) Bolt, Carriage, M10 X 1.5 X 70	1
9	32492	(008000-	) Washer, Flat, 0.38 Std	1
10	08714	(008000-	) Nut, Hex, Lock, M10 X 1.5, NI, Ss	1
▽	9017944	(008000-	) Caster Assy, F/ Sqge, Replmt[M20/T20]	2
▲	11 1021404	(008000-	) Bracket Wldt, Mtg, Caster	2
▲	12 9014285	(008000-	) Caster Kit, Rear Squeegee, Am	2
▲	13 1025460	(008000-	) Caster, Pivot	2
▲	14 80950	(008000-	) Bushing, Flng, 0.32b 0.50d 0.24l, Bnz	4
▲	15 07259	(008000-	) Fitting, Grease, Str Pm04 .47l	2
▲	16 33373	(008000-	) Ring, Retaining, Ext, 0.62d, Hd	2
▲	17 63468	(008000-	) Washer, Flat, 0.69b 1.19d .06, Stl, Pl	2
▲	18 64425	(008000-	) Washer, Thrust, 0.61b 1.25d .06, Fgl	2
▲	19 07449	(008000-	) Bushing, Sleeve, 0.62b 0.72d 0.50l, Fgl	4
20	32485	(008000-	) Washer, Flat, 0.38 Sae	2
21	24555	(008000-	) Ring, Retaining, Ext, 0.38d, [E-Ring]	2
22	39281	(008000-	) Screw, Hex, M8 X 1.25 X 90, 8.8	2
23	1222043	(008000-	) Knob Assy, Star, 1.12d 3ear M10, Yellow	2
24	1021497	(008000-	) Pin, 0.63d 01.8l, 1/M10h, 2cham	2
25	1034282	(008000-	) Crossmember Wldt, Lift	1
26	1035727	(008000-	) Stop, Rotation	2

Fig. 40 – Squeegee Group, Right Side

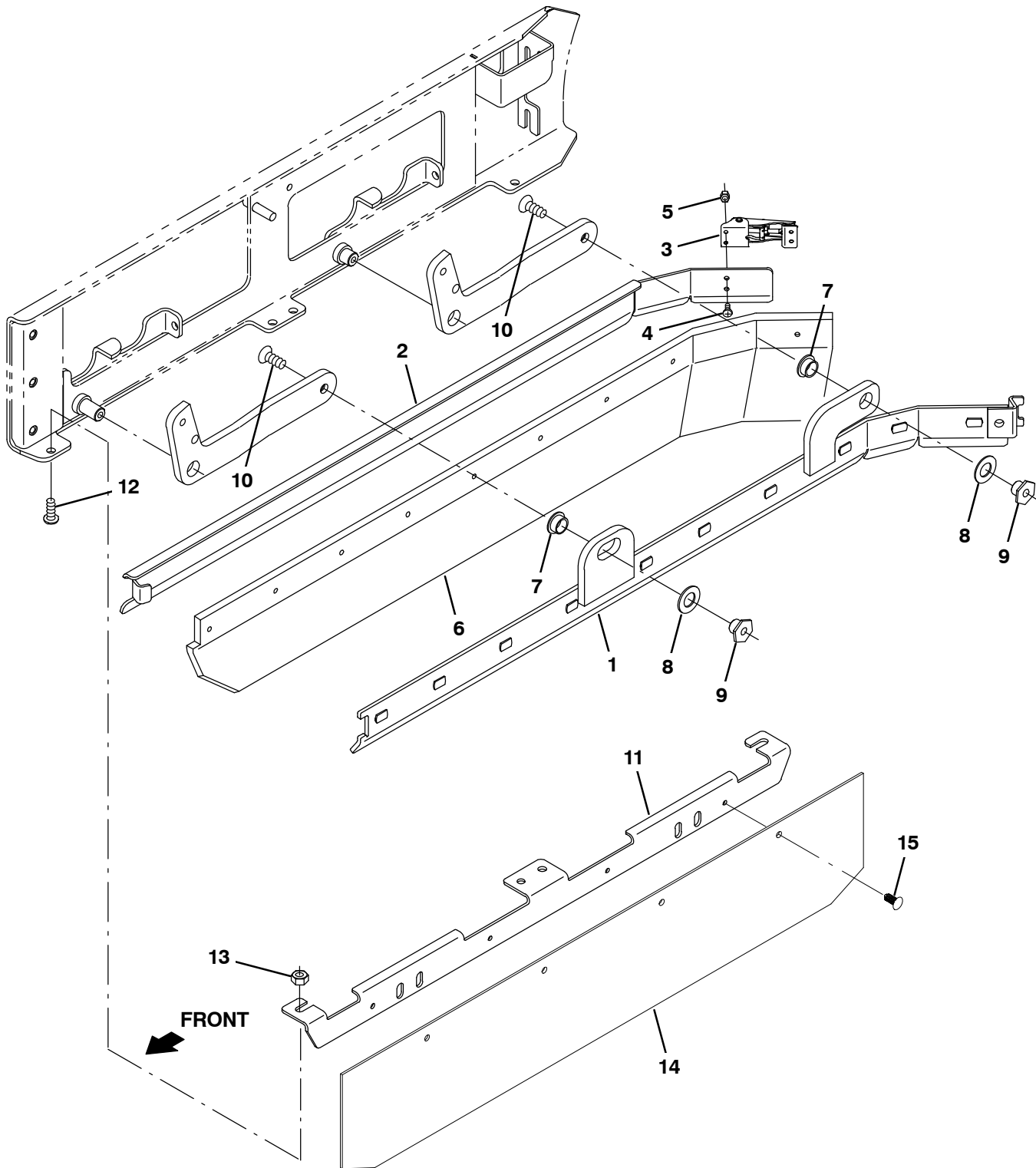


Fig. 40 - Squeegee Group, Right Side

Ref.	Part No.	Serial Number	Description	Qty.	
1	1029132	(008000-	) Frame Wldt, Sqge, Rh	1	
2	1029128	(008000-	) Retainer, Sqge, Side, Rh	1	
3	1222018	(008000-	) Latch, Door, Yellow	1	
4	49697	(008000-	) Screw, Pan, M4 X 0.7 X 10, Ss	2	
5	33932	(008000-	) Nut, Hex, Lock, M4 X 0.7, NI, Ss	2	
6	1031011	(008000-	) Blade, Sqge, .38 3.55w 038.3l, Linatex	1	
6	1031823	(008000-	) Blade, Sqge, .38 3.55w 038.3l, Ure (Option)	1	
7	25735	(008000-	) Bushing, Flng, 0.63b 0.75d 0.38l	2	
8	64425	(008000-	) Washer, Thrust, 0.61b 1.25d .06, Fgl	2	
9	1022846	(008000-	) Nut, T, M10 X 1.50 X 15.8od X 13.0l	2	
10	09081	(008000-	) Screw, Flt, M10 X 1.5 X 25, 10.9	2	
11	1025151	(008000-	) Bracket, Mtg, Skirt, Door, Brush	1	
12	393135	(008000-	) Screw, Btn, M8 X 1.25 X 20, Blk	4	
13	08713	(008000-	) Nut, Hex, Lock, M8 X 1.25, NI, Ss	4	
▽	14	9003057	(008000-	) Shield Kit, Side, Replmt [T20]	1
▲	15	21168	(008000-	) Clip, .250h, Plstc [Pine-Tree]	4

**Fig. 41 – Squeegee Lift Group, Right Side**

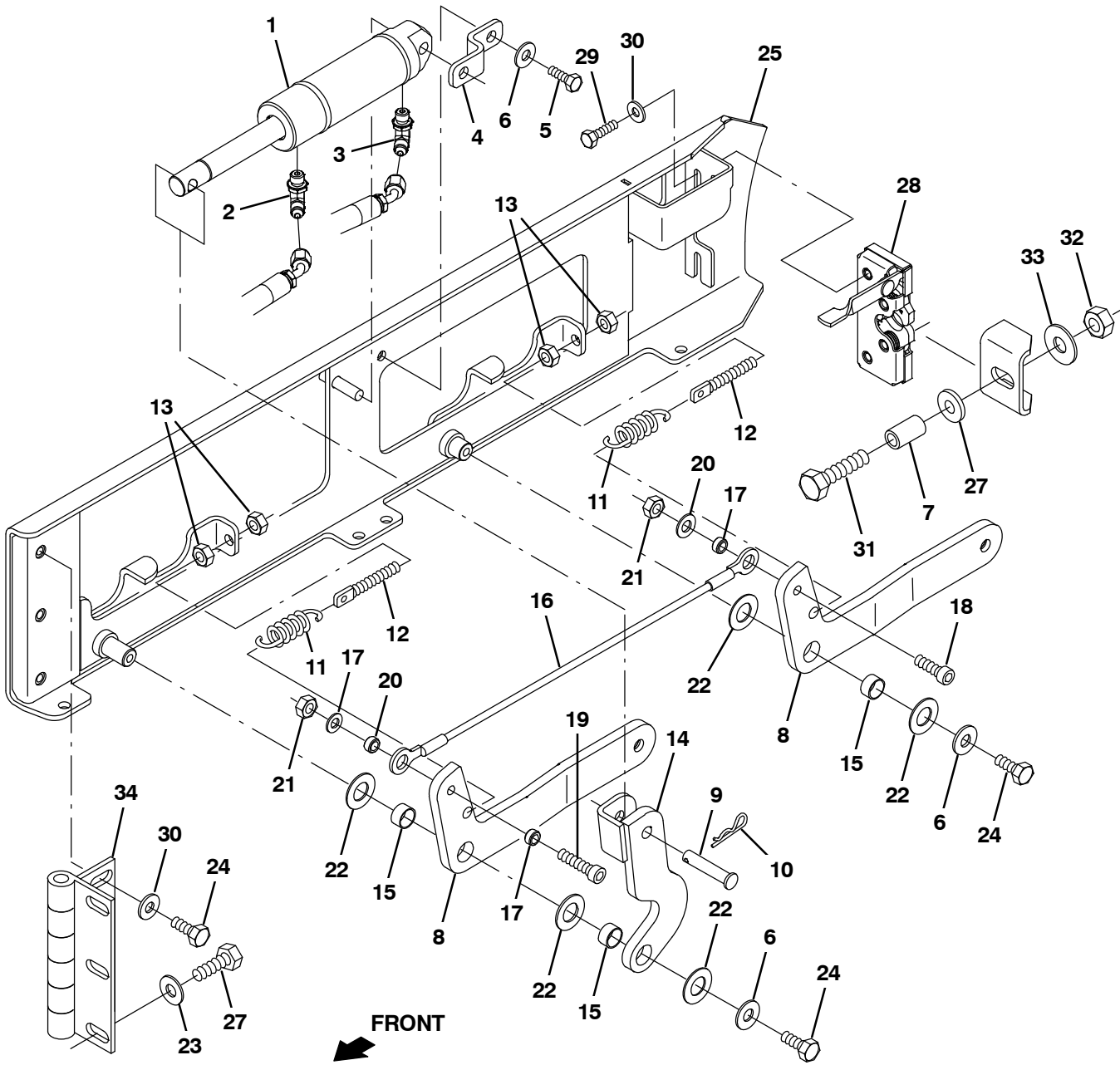




Fig. 41 – Squeegee Lift Group, Right Side

Ref.	Part No.	Serial Number	Description	Qty.
1	1038137	(008000–	) Cylinder, Hyd, 1.5b 07.8l 02.80strk 2500	1
2	77097	(008000–	) Fitting, Hyd, E90, Jm04/Om04	1
3	1028635	(008000–	) Fitting, Hyd, Rst, Spcl	1
4	1022825	(008000–	) Bracket, Mtg, Cyl	1
5	08716	(008000–	) Screw, Hex, M6 X 1.00 X 20, Ss	1
6	01685	(008000–	) Washer, Flat, 0.31, Ss	3
7	1039348	(008000–	) Sleeve, 0.49b 0.68d 1.2l [304ss]	1
8	1020548	(008000–	) Arm, Sqge, Side, Rh	2
9	17461	(008000–	) Pin, Clevis, 0.37D X 1.75L	1
10	08182	(008000–	) Pin, Cotter, .125 X 1.00	1
11	87816	(008000–	) Spring, Extn, 0.75od X 0.09wir, 2.5l	2
12	386088	(008000–	) Bolt, Eye, M08 X 1.25 X 070mm, 05.50 Eye	2
13	07786	(008000–	) Nut, Hex, Std, M8 X 1.25, Ss	4
14	1023306	(008000–	) Arm Wldt, Sqge, Lift, Rh	1
15	71607	(008000–	) Bushing, Sleeve, 0.63b 0.72d 0.38l	3
16	81784	(008000–	) Cable, Glv .13d 015.8l .50eye /.50eye	1
17	360801	(008000–	) Sleeve, 0.31b 0.50d 0.3l, Ss	3
18	39308	(008000–	) Screw, Soc, M8 X 1.25 X 25, 12.9	1
19	41445	(008000–	) Screw, Soc, M8 X 1.25 X 35, 12.9	1
20	39349	(008000–	) Washer, Flat, 0.31 Sae	2
21	08709	(008000–	) Nut, Hex, Lock, M8 X 1.25, NI	2
22	64425	(008000–	) Washer, Thrust, 0.61b 1.25d .06, Fgl	5
23	41187	(008000–	) Washer, Flat, Belleville, .38	3
24	09740	(008000–	) Screw, Hex, M8 X 1.25 X 20, Ss	5
25	1019031	(008000–	) Door Wldt, Brush, Rh	1
26	09028	(008000–	) Screw, Hex, M10 X 1.5 X 25, Ss	3
27	36328	(008000–	) Washer, Flat, Belleville, .50	1
28	1222036	(008000–	) Latch, Hook, Yellow	1
29	09007	(008000–	) Screw, Hex, M6 X 1.0 X 25, Ss	2
30	41185	(008000–	) Washer, Flat, Belleville, .25	5
31	379870	(008000–	) Screw, Hex, M12 X 1.75 X 55, Ss	1
32	07788	(008000–	) Nut, Hex, Std, M12 X 1.75, Ss	1
33	41619	(008000–	) Washer, Flat, 0.56b 1.38d .11, Ss	1
34	1024576	(008000–	) Hinge, .50pin .19 4.0w 06.0l 3/0.44sl	1

**Fig. 42 – Squeegee Group, Left Side**

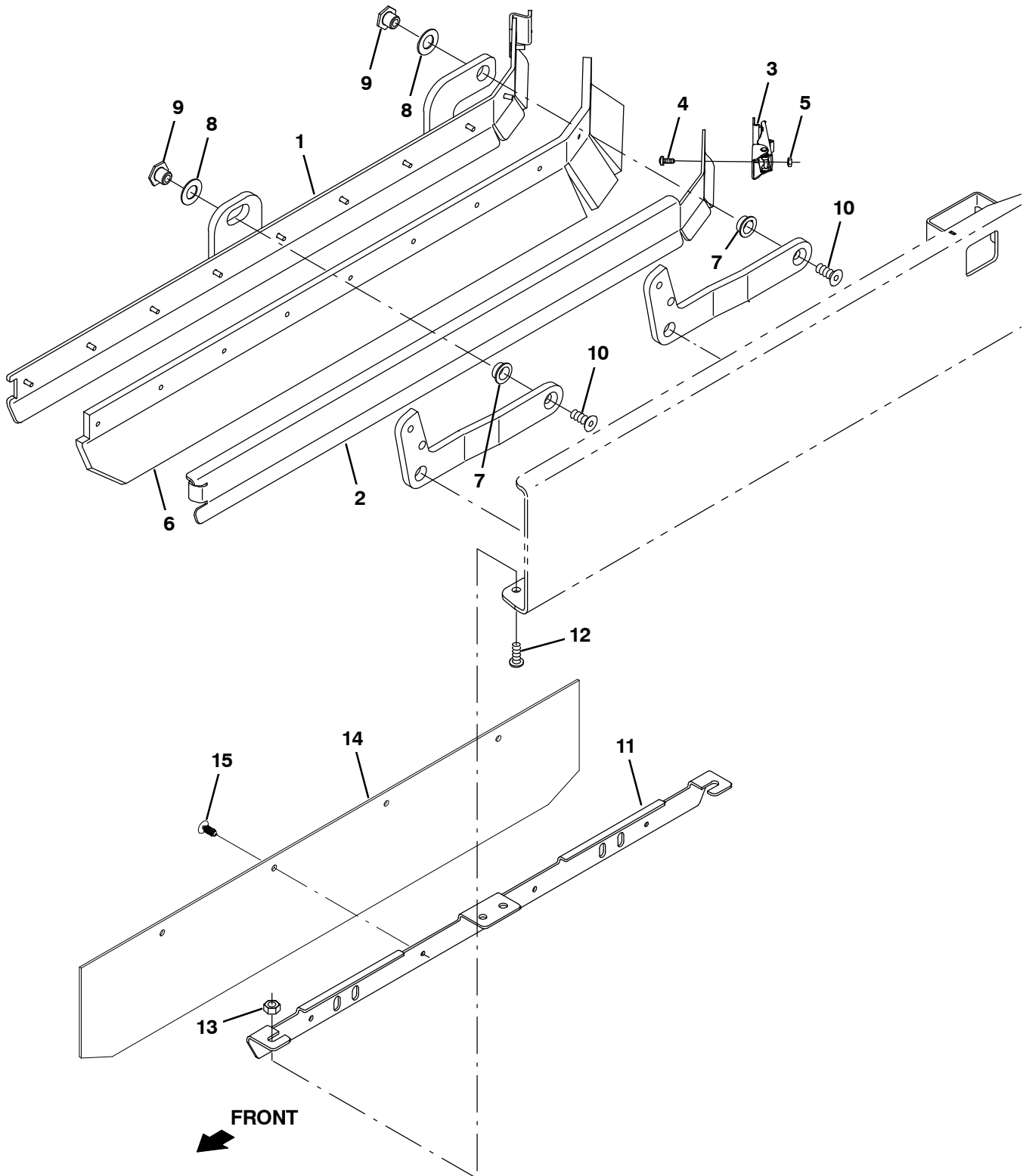


Fig. 42 - Squeegee Group, Left Side

Ref.	Part No.	Serial Number	Description	Qty.
1	1028972	(008000-	) Frame Wldt, Sqge, Lh	1
2	1028979	(008000-	) Retainer, Sqge, Side, Lh	1
3	1222018	(008000-	) Latch, Door, Yellow	1
4	49697	(008000-	) Screw, Pan, M4 X 0.7 X 10, Ss	2
5	33932	(008000-	) Nut, Hex, Lock, M4 X 0.7, NI, Ss	2
6	1031011	(008000-	) Blade, Sqge, 37.08l Linatex	1
6	1031823	(008000-	) Blade, Sqge, .38 3.55w 038.3l, Ure (Option)	1
7	25735	(008000-	) Bushing, Flng, 0.63b 0.75d 0.38l	2
8	64425	(008000-	) Washer, Thrust, 0.61b 1.25d .06, Fgl	2
9	1022846	(008000-	) Nut, T, M10 X 1.50 X 15.8od X 13.0l	2
10	09081	(008000-	) Screw, Flt, M10 X 1.5 X 25, 10.9	2
11	1025151	(008000-	) Bracket, Mtg, Skirt, Door, Brush	1
12	393135	(008000-	) Screw, Btn, M8 X 1.25 X 20, Blk	4
13	08713	(008000-	) Nut, Hex, Lock, M8 X 1.25, NI, Ss	4
▽	14	9003057	(008000-) Shield Kit, Side, Replmt [T20]	1
▲	15	21168	(008000-) Clip, .250h, Plstc [Pine-Tree]	4

**Fig. 43 - Squeegee Lift Group, Left Side**

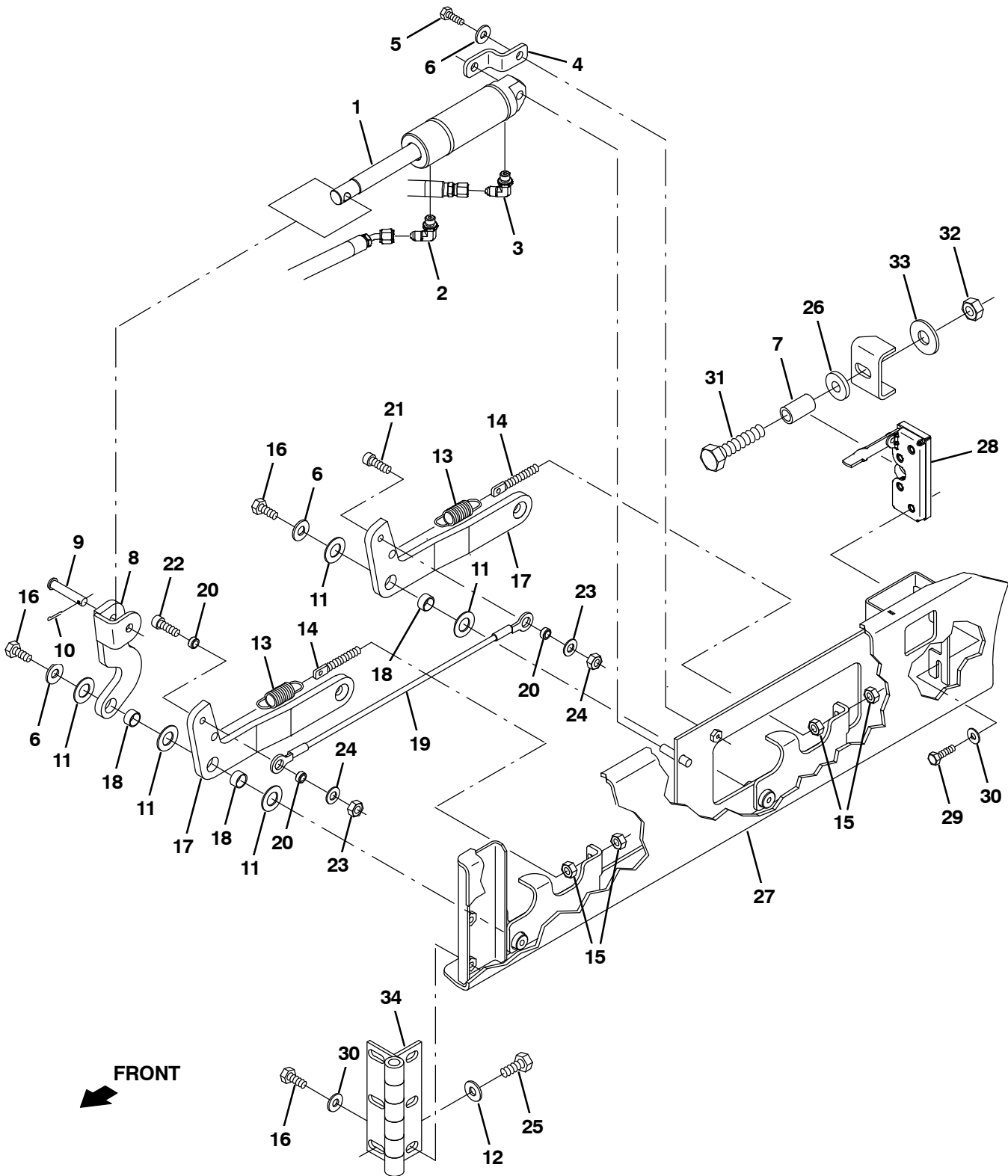


Fig. 43 – Squeegee Lift Group, Left Side

Ref.	Part No.	Serial Number	Description	Qty.
1	1038137	(008000–	) Cylinder, Hyd, 1.5b 07.8l 02.80strk 2500	1
2	77097	(008000–	) Fitting, Hyd, E90, Jm04/Om04	1
3	1028635	(008000–	) Fitting, Hyd, Rst, Spcl	1
4	1022825	(008000–	) Bracket, Mtg, Cyl	1
5	08716	(008000–	) Screw, Hex, M6 X 1.00 X 20, Ss	1
6	01685	(008000–	) Washer, Flat, 0.31, Ss	3
7	1039348	(008000–	) Sleeve, 0.49b 0.68d 1.2l [304ss]	1
8	1022978	(008000–	) Arm Wldt, Lift, Sqge, Lh	1
9	17461	(008000–	) Pin, Clevis, 0.37D X 1.75L	1
10	08182	(008000–	) Pin, Cotter, .125 X 1.00	1
11	64425	(008000–	) Washer, Thrust, 0.61b 1.25d .06, Fgl	5
12	41187	(008000–	) Washer, Flat, Belleville, .38	3
13	87816	(008000–	) Spring, Extn, 0.75od X 0.09wir, 2.5l	2
14	386088	(008000–	) Bolt, Eye, M08 X 1.25 X 070mm, 05.50 Eye	2
15	07786	(008000–	) Nut, Hex, Std, M8 X 1.25, Ss	4
16	09740	(008000–	) Screw, Hex, M8 X 1.25 X 20, Ss	5
17	1023307	(008000–	) Arm, Sqge, Side, Lh	2
18	71607	(008000–	) Bushing, Sleeve, 0.63b 0.72d 0.38l	3
19	81784	(008000–	) Cable, Glv .13d 015.8l .50eye /.50eye	1
20	360801	(008000–	) Sleeve, 0.31b 0.50d 0.3l, Ss	3
21	39308	(008000–	) Screw, Soc, M8 X 1.25 X 25, 12.9	1
22	41445	(008000–	) Screw, Soc, M8 X 1.25 X 35, 12.9	1
23	39349	(008000–	) Washer, Flat, 0.31 Sae	2
24	08709	(008000–	) Nut, Hex, Lock, M8 X 1.25, NI	2
25	09028	(008000–	) Screw, Hex, M10 X 1.5 X 25, Ss	3
26	36328	(008000–	) Washer, Flat, Belleville, .50	1
27	1023314	(008000–	) Door Wldt, Brush, Lh	1
28	1222038	(008000–	) Latch, Hook, Yellow	1
29	09007	(008000–	) Screw, Hex, M6 X 1.0 X 25, Ss	2
30	41185	(008000–	) Washer, Flat, Belleville, .25	5
31	379870	(008000–	) Screw, Hex, M12 X 1.75 X 55, Ss	1
32	07788	(008000–	) Nut, Hex, Std, M12 X 1.75, Ss	1
33	41619	(008000–	) Washer, Flat, 0.56b 1.38d .11, Ss	1
34	1024576	(008000–	) Hinge, .50pin .19 4.0w 06.0l 3/0.44sl	1

**Fig. 44 – Solution Tank Group**

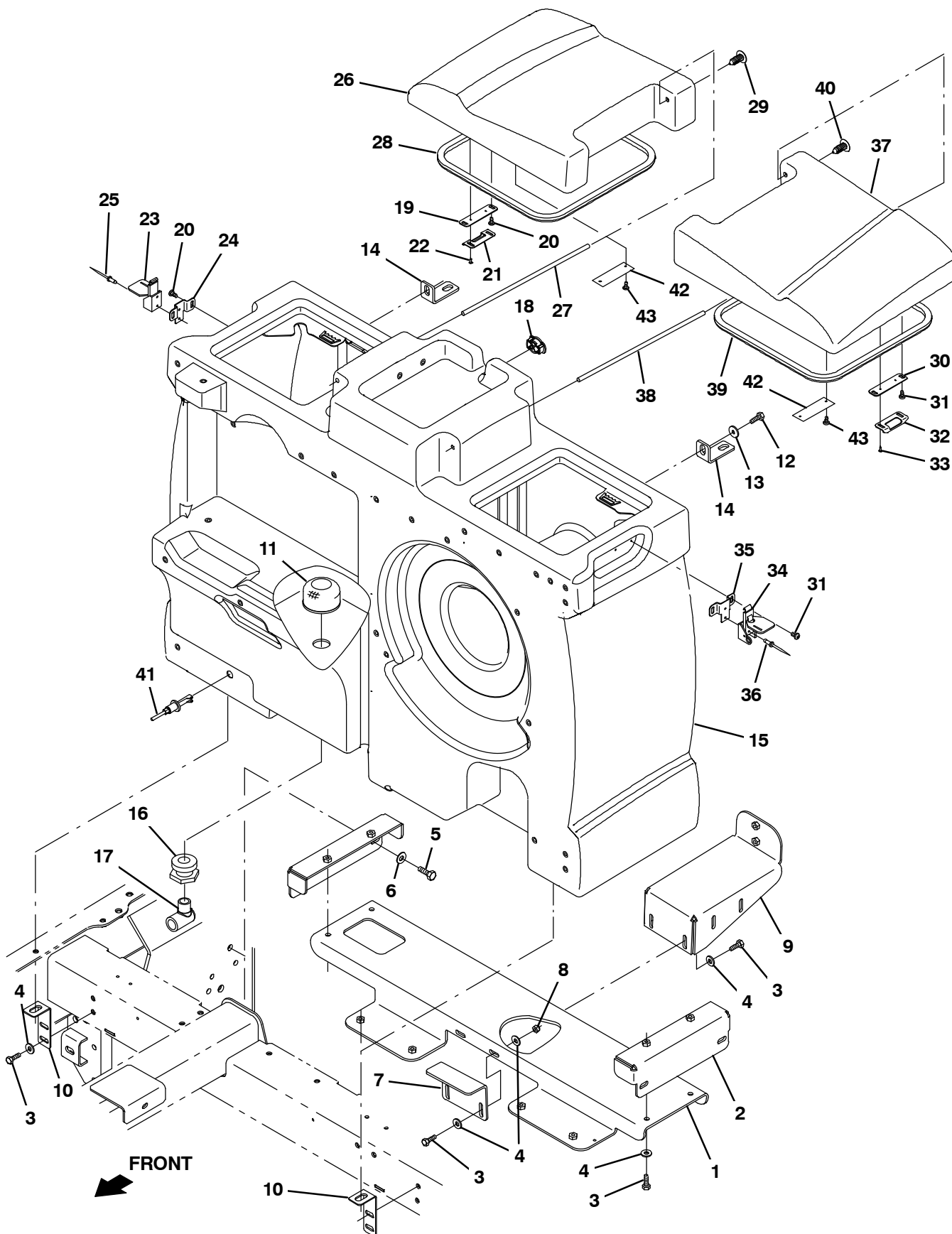


Fig. 44 – Solution Tank Group

Ref.	Part No.	Serial Number	Description	Qty.
1	1023497	(008000–	) Channel, Sppt, Tank	1
2	1023493	(008000–	) Bracket, Mtg, Tank	2
3	09010	(008000–	) Screw, Hex, M8 X 1.25 X 25, Ss	12
4	32491	(008000–	) Washer, Flat, 0.31, Std	14
5	12317	(008000–	) Screw, Hex, M10 X 1.5 X 30, Ss	4
6	32492	(008000–	) Washer, Flat, 0.38, Std	4
7	1023508	(008000–	) Bracket, Mtg, Tank	1
8	08713	(008000–	) Nut, Hex, Lock, M8 X 1.25, NI, Ss	2
9	1023510	(008000–	) Bracket, Mtg, Tank	1
10	1024131	(008000–	) Angle, Mtg, Stl, .12 4.2 2.0 01.4l	2
11	1027290	(008000–	) Filter, Soltn, 20mesh, Pm12 3.1d 02.6l	1
12	09740	(008000–	) Screw, Hex, M8 X 1.25 X 20, Ss	2
13	1017218	(008000–	) Washer, Flat, 0.32b 1.00d .12, Ss	2
14	1024217	(008000–	) Angle, Mtg, Stl, .19 3.1 1.8 01.4l	2
15	1027426	(008000–	) Tank, Soltn, W/ Label	1
15	9002670	(008000–	) Tank, Soltn, W/ Es [T20]	1
16	377349	(008000–	) Fitting, Plstc, Pf12/Pf12, Bh	1
17	69785	(008000–	) Fitting, Plstc, E90, Pf12/Pm12	1
18	390994	(008000–	) Plug, Hole, Soltn Tank, Blk Pyu	1
▽	9003069	(008000–	) Cover Kit, Soltn Tank, Rh [M20 & T20]	1
▲▽	9005165	(008000–	) Latch Kit, Cover, Soltn, Replmt[M20/T20]	1
▲▲	19	1039757	(008000–) Plate, Mtg, Latch	1
▲▲	20	382320	(008000–) Screw, Pan, Phl, 12–16 X 0.50, F/ Plstc	4
▲▲	21	1048474	(008000–) Catch, Latch, Tank Cover	1
▲▲	22	222267	(008000–) Screw, Pan, Phl, 06–20 X 0.50, Fmg/Ab	2
▲▲	23	367949	(008000–) Latch	1
▲▲	24	1048512	(008000–) Bracket, Mtg, Latch, Tank Cover	1
▲▲	25	08875	(008000–) Rivet, Blind, .125d X 0.54 X .25d, Alm	2
▲	26	1022176	(008000–) Cover, Tank, Soltn, Rh, Trimmed	1
▲	27	1047098	(008000–) Bar, Rnd, Plstc, 0.31d 12.5l	1
▲	28	1038805	(008000–) Seal, Bulb, Str, .50Hi .50W 047.2L, Adh	1
▲	29	1068277	(008000–) Plug, Hole, Rnd, 0.38 H 1.0l, Brb, Nyl	1
▽	9003071	(008000–	) Cover Kit, Tank, Soltn, Rh, Replmt, Ce (Japan and Europe Only)	1
▲▽	9005165	(008000–	) Latch Kit, Cover, Soltn, Replmt[M20/T20]	1
▲▲	19	1039757	(008000–) Plate, Mtg, Latch	1
▲▲	20	382320	(008000–) Screw, Pan, Phl, 12–16 X 0.50, F/ Plstc	4
▲▲	21	1048474	(008000–) Catch, Latch, Tank Cover	1
▲▲	22	222267	(008000–) Screw, Pan, Phl, 06–20 X 0.50, Fmg/Ab	2
▲▲	23	367949	(008000–) Latch	1
▲▲	24	1048512	(008000–) Bracket, Mtg, Latch, Tank Cover	1
▲▲	25	08875	(008000–) Rivet, Blind, .125d X 0.54 X .25d, Alm	2
▲	26	1031233	(008000–) Cover, Tank, Soltn, Rh, Trimmed (Japan and Europe Only)	1
▲	27	1047098	(008000–) Bar, Rnd, Plstc, 0.31d 12.5l	1
▲	28	1038805	(008000–) Seal, Bulb, Str, .50Hi .50W 047.2L, Adh	1
▲	29	1068277	(008000–) Plug, Hole, Rnd, 0.38 H 1.0l, Brb, Nyl	1

(CONTINUED)

# STANDARD PARTS

Fig. 44 – Solution Tank Group

Ref.	Part No.	Serial Number	Description	Qty.
▽	9003068	(008000–	) Cover Kit, Tank, Soltn, Lh, Replmt	1
▲▽	9005165	(008000–	) Latch Kit, Cover, Soltn, Replmt[M20/T20]	1
▲▲	30 1039757	(008000–	) Plate, Mtg, Latch	1
▲▲	31 382320	(008000–	) Screw, Pan, Phl, 12–16 X 0.50, F/ Plstc	4
▲▲	32 1048474	(008000–	) Catch, Latch, Tank Cover	1
▲▲	33 222267	(008000–	) Screw, Pan, Phl, 06–20 X 0.50, Fmg/Ab	2
▲▲	34 367949	(008000–	) Latch	1
▲▲	35 1048512	(008000–	) Bracket, Mtg, Latch, Tank Cover	1
▲▲	36 08875	(008000–	) Rivet, Blind, .125d X 0.54 X .25d, Alm	2
▲	37 1022182	(008000–	) Cover, Tank, Soltn, Lh, Trimmed	1
▲	38 1047098	(008000–	) Bar, Rnd, Plstc, 0.31d 12.5l	1
▲	39 1038805	(008000–	) Seal, Bulb, Str, .50Hi .50W 047.2L, Adh	1
▲	40 1068277	(008000–	) Plug, Hole, Rnd, 0.38 H 1.0l, Brb, Nyl	1
▽	9003070	(008000–	) Cover Kit, Tank, Soltn, Lh, Replmt, Ce (Japan and Europe Only)	1
▲▽	9005165	(008000–	) Latch Kit, Cover, Soltn, Replmt[M20/T20]	1
▲▲	30 1039757	(008000–	) Plate, Mtg, Latch	1
▲▲	31 382320	(008000–	) Screw, Pan, Phl, 12–16 X 0.50, F/ Plstc	4
▲▲	32 1048474	(008000–	) Catch, Latch, Tank Cover	1
▲▲	33 222267	(008000–	) Screw, Pan, Phl, 06–20 X 0.50, Fmg/Ab	2
▲▲	34 367949	(008000–	) Latch	1
▲▲	35 1048512	(008000–	) Bracket, Mtg, Latch, Tank Cover	1
▲▲	36 08875	(008000–	) Rivet, Blind, .125d X 0.54 X .25d, Alm	2
▲	37 1031235	(008000–	) Cover, Tank, Soltn, Rh, Trimmed (Japan and Europe Only)	1
▲	38 1047098	(008000–	) Bar, Rnd, Plstc, 0.31d 12.5l	1
▲	39 1038805	(008000–	) Seal, Bulb, Str, .50Hi .50W 047.2L, Adh	1
▲	40 1068277	(008000–	) Plug, Hole, Rnd, 0.38 H 1.0l, Brb, Nyl	1
	41 385685	(008000–	) Sensor, Level, Liq, 14vdc 01a .62–11	1
	42 1017101	(008000–	) Plate, Label, Soltn Tank (ec–H20 only)	2
	43 360973	(008000–	) Screw, Pan, 12–16 X 0.50, F/ Plstc (ec–H20 only)	4





**Fig. 45 – Solution Tank Drain Group**

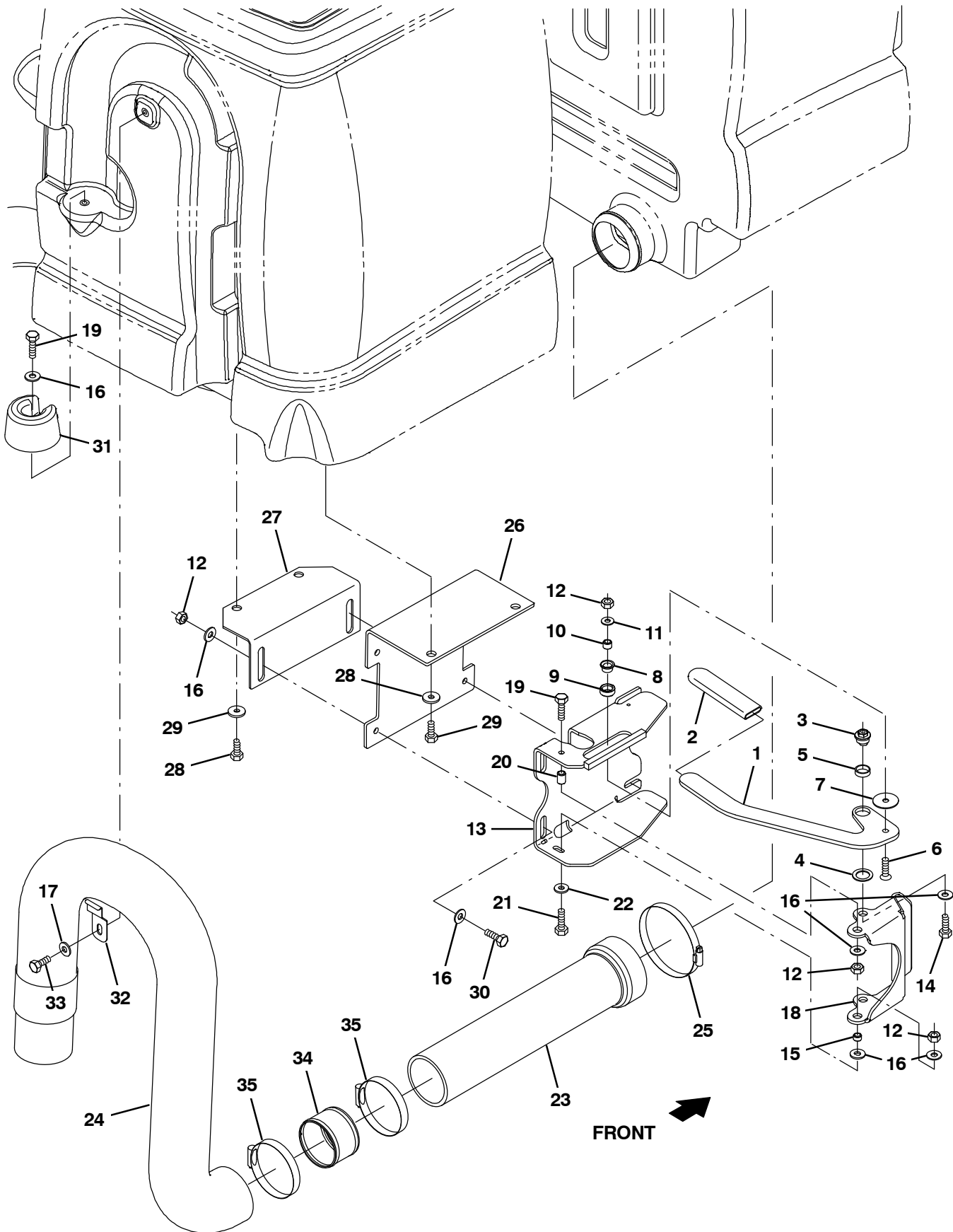


Fig. 45 – Solution Tank Drain Group

Ref.	Part No.	Serial Number	Description	Qty.
1	1025092	(008000–	) Handle, Valve, Pinch, Rh	1
2	1023502	(008000–	) Grip, Handle	1
3	1024599	(008000–	) Bushing, Eccentric, Adj	1
4	1026051	(008000–	) Washer, Flat, 0.79b 1.18d .06, Nyl	1
5	74090	(008000–	) Bushing, Sleeve, 0.75b 0.88d 0.25l	1
6	79506	(008000–	) Screw, Flt, M8 X 1.25 X 30, Ss	1
7	1028701	(008000–	) Washer, Thrust, 0.34b 1.50d .06	1
8	15648	(008000–	) Bushing, Flng, 0.50b 0.59d 0.38l	1
9	1028691	(008000–	) Roller, Brg	1
10	1028690	(008000–	) Tube, 0.50d 0.32b 00.4l, Ss	1
11	39349	(008000–	) Washer, Flat, 0.31, Sae	1
12	08713	(008000–	) Nut, Hex, Lock, M8 X 1.25, NI, Ss	7
13	1042003	(008000–	) Mount Wldt, Valve, Pinch, Rh	1
14	39277	(008000–	) Screw, Hex, M8 X 1.25 X 25, 8.8	1
15	222516	(008000–	) Sleeve, P/M, 0.31b 0.50d 0.3l [430ss]	1
16	32491	(008000–	) Washer, Flat, 0.31, Std	10
17	01685	(008000–	) Washer, Flat, 0.38b 0.88d .08, Ss	1
18	1024535	(008000–	) Arm, Pinch	1
19	06955	(008000–	) Screw, Hex, M8 X 1.25 X 35, 8.8	2
20	80395	(008000–	) Sleeve, P/M, 0.31b 0.50d 0.7l [430ss]	1
21	76570	(008000–	) Screw, Hex, M8 X 1.25 X 30, 8.8	1
22	41186	(008000–	) Washer, Flat, Belleville, .31	1
23	9003793	(008000–	) Tube Kit, Tank, Soltn, Replmt	1
24	1019424	(008000–	) Hose, Drain, 3.00id X 48.0l	1
25	23498	(008000–	) Clamp, Hose, Wormdrive, 3.56–4.50d, .50w	1
26	1025449	(008000–	) Angle, Mtg, Valve	2
27	1025452	(008000–	) Angle, Mtg, Stl, .12 3.7 3.4 09.1l	2
28	09740	(008000–	) Screw, Hex, M8 X 1.25 X 20, Ss	4
29	1017218	(008000–	) Washer, Flat, 0.32b 1.00d .12, Ss	4
30	09010	(008000–	) Screw, Hex, M8 X 1.25 X 25, Ss	4
31	1022137	(008000–	) Plug, Hose, Pyu	1
32	1025480	(008000–	) Bracket, Retaining, Hose	1
33	15675	(008000–	) Screw, Hex, M8 X 1.25 X 16, Ss	1
34	1020744	(008000–	) Tube, Rnd, 3.00d 2.90b 02.0l, Ss	1
35	43555	(008000–	) Clamp, Hose, Wormdrive, 2.50–3.50d, .50w	2

**Fig. 46 – Solution Control Group**

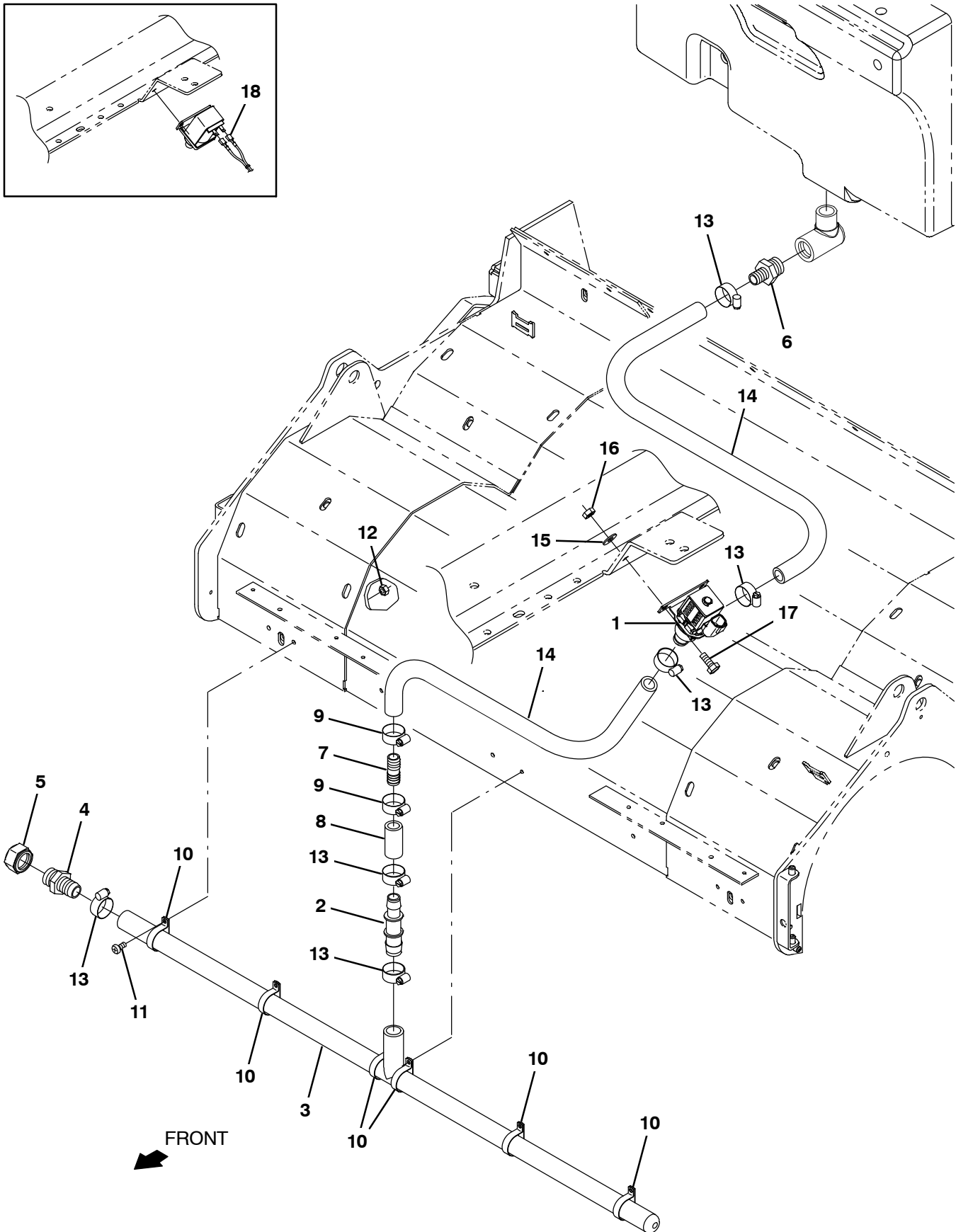


Fig. 46 – Solution Control Group

Ref.	Part No.	Serial Number	Description	Qty.
1	1076692	(008000–	) Valve Assy, Water, Solenoid, 12vdc	1
2	363543	(008000–	) Fitting, Plstc, Str, Bm10/Bm12	1
3	1036997	(008000–	) Manifold, Bar, Spray, 37.5inch	1
4	79273–2	(008000–	) Fitting, Plstc, Str, Bm12/Pm12	1
5	1039064	(008000–	) Fitting, Plstc, Cap, Pf12 Hex	1
6	365095	(008000–	) Fitting, Plstc, Str, Bm10/Pm12	1
7	365164	(008000–	) Fitting, Plstc, Str, Bm10/Bm10	1
8	1015033	(008000–	) Hose, Afmkt, Pvc, Brd, 0.62id, 01ft, Clr	1
9	63810	(008000–	) Clamp, Hose, Wormdrive, 0.56–1.06d, .56w	2
10	50544	(008000–	) Clamp, Cable, Ss, 1.12d X 0.38w, 1h	6
11	09200	(008000–	) Screw, Pan, M5 X 0.8 X 12, Ss	6
12	09739	(008000–	) Nut, Hex, Lock, M5 X 0.8, NI, Ss	6
13	63810	(008000–	) Clamp, Hose, Wormdrive, 0.56–1.06d, .56w	8
14	1015032	(008000–	) Hose, Afmkt, Pvc, Brd, 0.62id, 08ft, Clr	1
15	01684	(008000–	) Washer, Flat, 0.25, Ss	2
16	08712	(008000–	) Nut, Hex, Lock, M6 X 1.0, Ss, NI	2
17	08716	(008000–	) Screw, Hex, M6 X 1.0 X 20, Ss	2
18	1075394	(008000–009613	) Harness, Ele, Adaptor [2f, Dt To Faston]	1

**Fig. 47 – Solution Control Group, Disk Scrub Head**

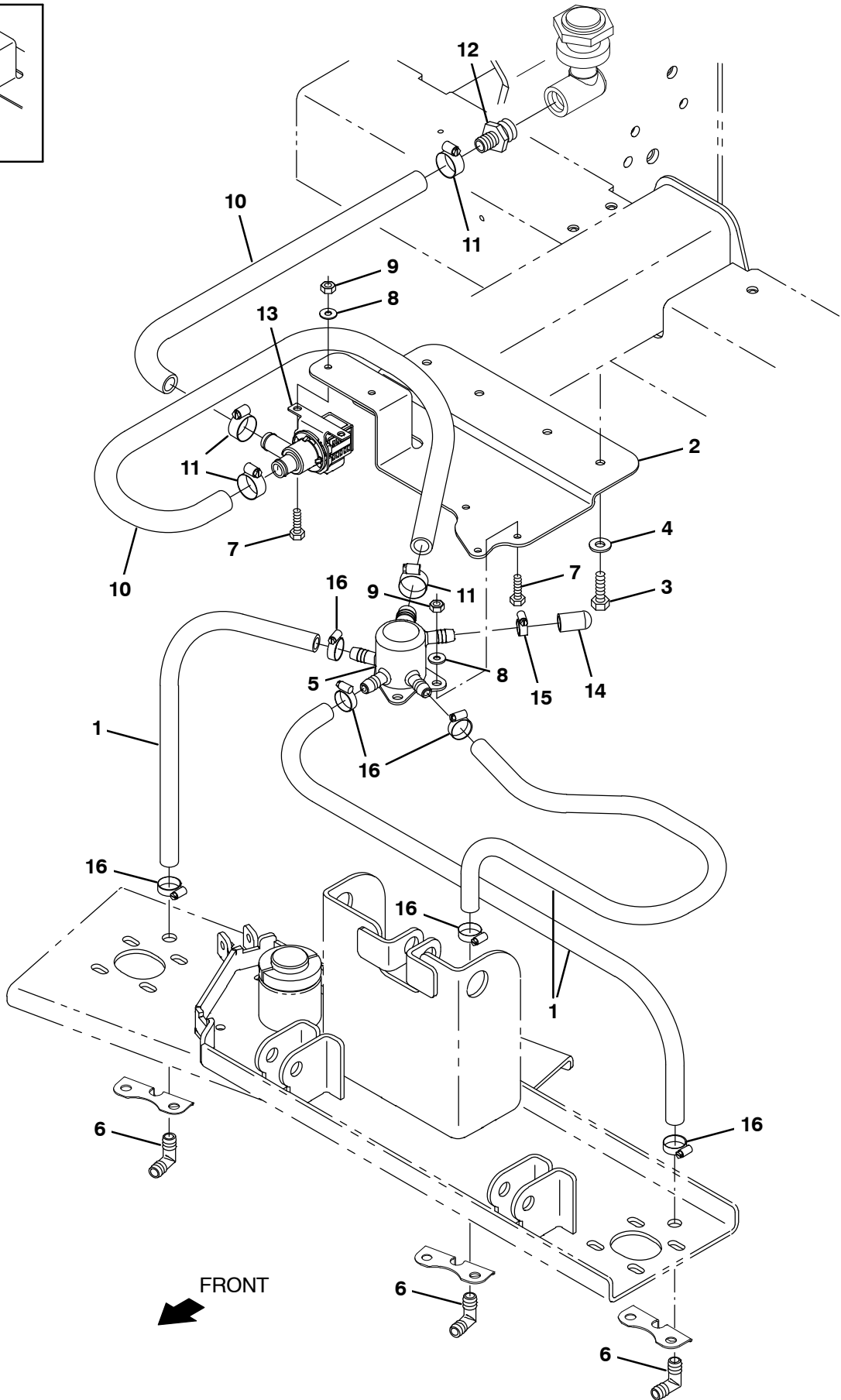
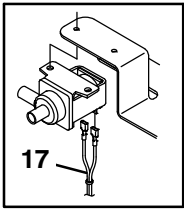


Fig. 47 – Solution Control Group, Disk Scrub Head

Ref.	Part No.	Serial Number	Description	Qty.
1	1006401	(008000–	) Hose, Afmkt, Pvc, Brd 0.50id 03ft	3
2	1042046	(008000–	) Bracket, Valve, Water	1
3	09010	(008000–	) Screw, Hex, M8 X 1.25 X 25, Ss	2
4	32491	(008000–	) Washer, Flat, 0.31, Std	2
5	1032701	(008000–	) Manifold Assy, Cntrl, Soltn	1
6	63987–1	(008000–	) Fitting, Plstc, E90, Bm08/Bm08	3
7	08716	(008000–	) Screw, Hex, M6 X 1.0 X 20, Ss	5
8	01684	(008000–	) Washer, Flat, 0.25, Ss	5
9	08712	(008000–	) Nut, Hex, Lock, M6 X 1.00, Ss, NI	5
10	1015032	(008000–	) Hose, Afmkt, Pvc, Brd 0.62id 08ft	1
11	63810	(008000–	) Clamp, Hose, Wormdrive, 0.56–1.06d, .56w	4
12	365095	(008000–	) Fitting, Plstc, Str, Bm10/Pm12	1
13	1076692	(008000–	) Valve Assy, Water, Solenoid , 12vdc	1
14	20807	(008000–	) Cap, Rbr, 0.50id 1.18l Blk	1
15	43844	(008000–	) Clamp, Hose, Wormdrive, 0.25–0.62d, .31w	1
16	54333	(008000–	) Clamp, Hose, Wormdrive, 0.31–0.88d, .31w	6
17	1075394	(008000–009613	) Harness, Ele, Adaptor [2f, Dt To Faston]	1

**Fig. 48 – Recovery Tank Group**

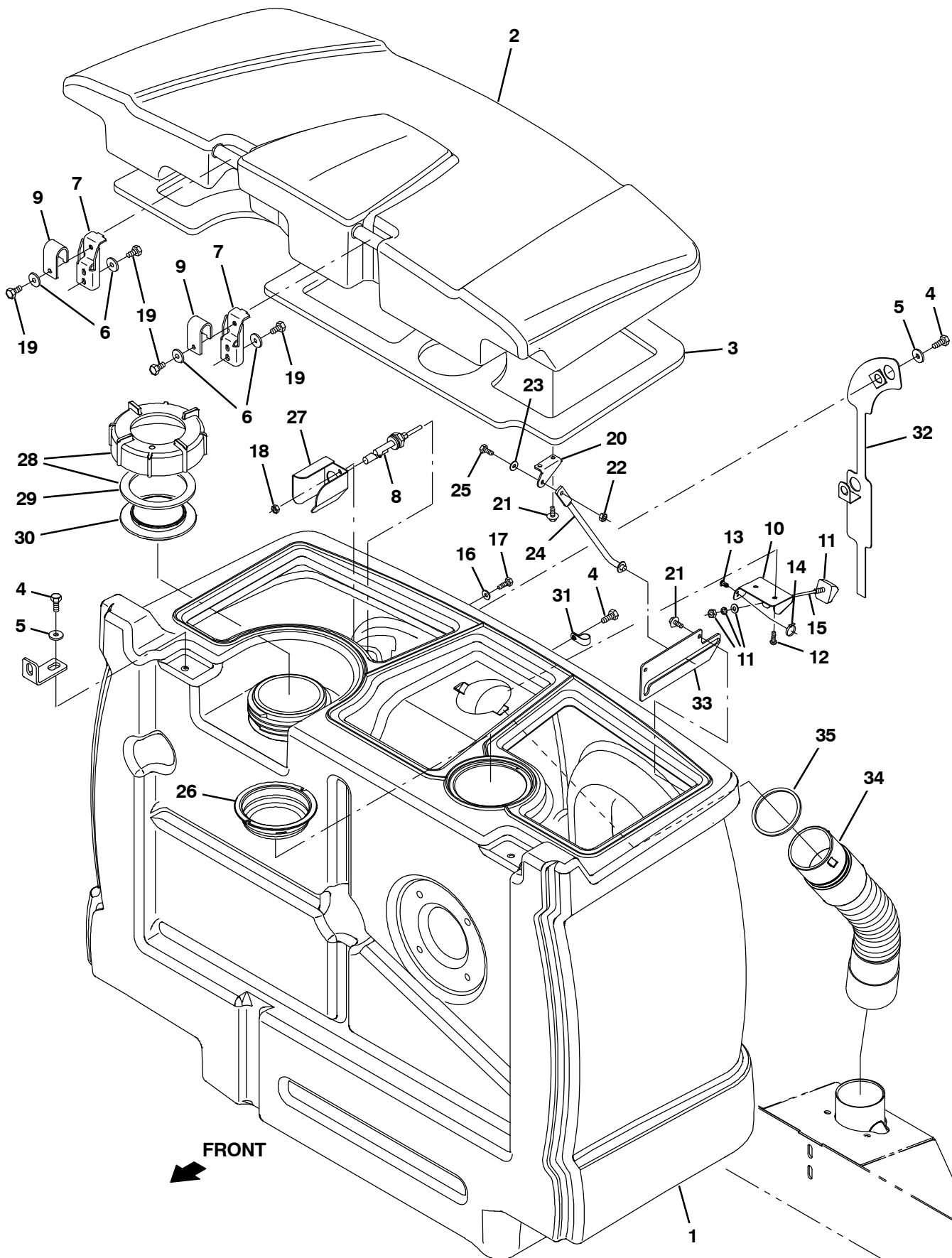




Fig. 48 – Recovery Tank Group

Ref.	Part No.	Serial Number	Description	Qty.
	1	1026316	(008000– ) Tank, Recvy, Trimmed	1
▽	2	9003072	(008000– ) Cover Kit, Tank, Recvy, Replmt [T20]	1
▲	3	1025562	(008000– ) Gasket, Tank, Recvy	1
	4	09740	(008000– ) Screw, Hex, M8 X 1.25 X 20, Ss	5
	5	1017218	(008000– ) Washer, Flat, 0.32b 1.00d .12, Ss	4
	6	32491	(008000– ) Washer, Flat, 0.31, Std	6
	7	1039072	(008000– ) Bracket, Sppt, Cover, Tank, Recvy	1
	8	385685	(008000– ) Sensor, Level, Liq, 14vdc 01a .62–11	1
	9	1039049	(008000– ) Bracket, Mtg, Cover, Recvy Tank	1
	10	1225921	(008000– ) Bracket, Mtg, Camera [T20] (PRO PANEL ONLY)	1
	11	1218851	(008000– ) Camera, Color, Fixed (PRO PANEL ONLY)	1
	12	382320	(008000– ) Screw, Pan, Phl, 12–16 X 0.50, F/ Plstc (PRO PANEL ONLY)	2
	13	1071085	(008000– ) Clip, Tie, 0.25d, Plstc (PRO PANEL ONLY)	1
	14	763114	(008000– ) Tie, Cable, 11.3l, 2.75d Max (PRO PANEL ONLY)	1
	15	1224979	(008000– ) Cable, Camera, 236.2l [Hvs] (PRO PANEL ONLY)	1
	16	76426	(008000– ) Washer, Sealing, 0.28b 0.75d Ss, Neo	2
	17	09007	(008000– ) Screw, Hex, M6 X 1.00 X 25, Ss	2
	18	08712	(008000– ) Nut, Hex, Lock, M6 X 1.00, Ss, NI	2
	19	16735	(008000– ) Screw, Hex, M8 X 1.25 X 16, 8.8	6
	20	1025619	(008000– ) Bracket, Mtg, Prop Rod	1
	21	1046798	(008000– ) Screw, Hex, .25–10 X 0.75, Fmg/a, Ss	4
	22	08712	(008000– ) Nut, Hex, Lock, M6 X 1.00, Ss, NI	1
	23	01684	(008000– ) Washer, Flat, 0.25, Ss	1
	24	54615	(008000– ) Arm Wldt, Safety, Sppt, Seat, .38d 10.1l	1
	25	08716	(008000– ) Screw, Hex, M6 X 1.0 X 20, Ss	1
	26	1222035	(008000– ) Screen, Recovery, Yellow	1
	27	1039697	(008000– ) Guard Wldt, Switch, Float	1
▽	28	24358	(008000– ) Cap Assy, Tank, Drain	1
▲	29	1031699	(008000– ) Gasket, Lid	1
	30	86636	(008000– ) Cover, Tank	1
	31	67767	(008000– ) Clamp, Cable, Stl, 0.69d X 0.62w, 1h	1
	32	1030280	(008000– ) Shield Wldt, Switch, Float	1
	33	1025620	(008000– ) Plate, Mtg, Prop Rod	1
	34	1031610	(008000– ) Hose Assy, Sqg	1
	35	1021920	(008000– ) Gasket, 3.23ld 3.63Od .16Th, Ure	1

**Fig. 49 – Recovery Tank Drain Group**

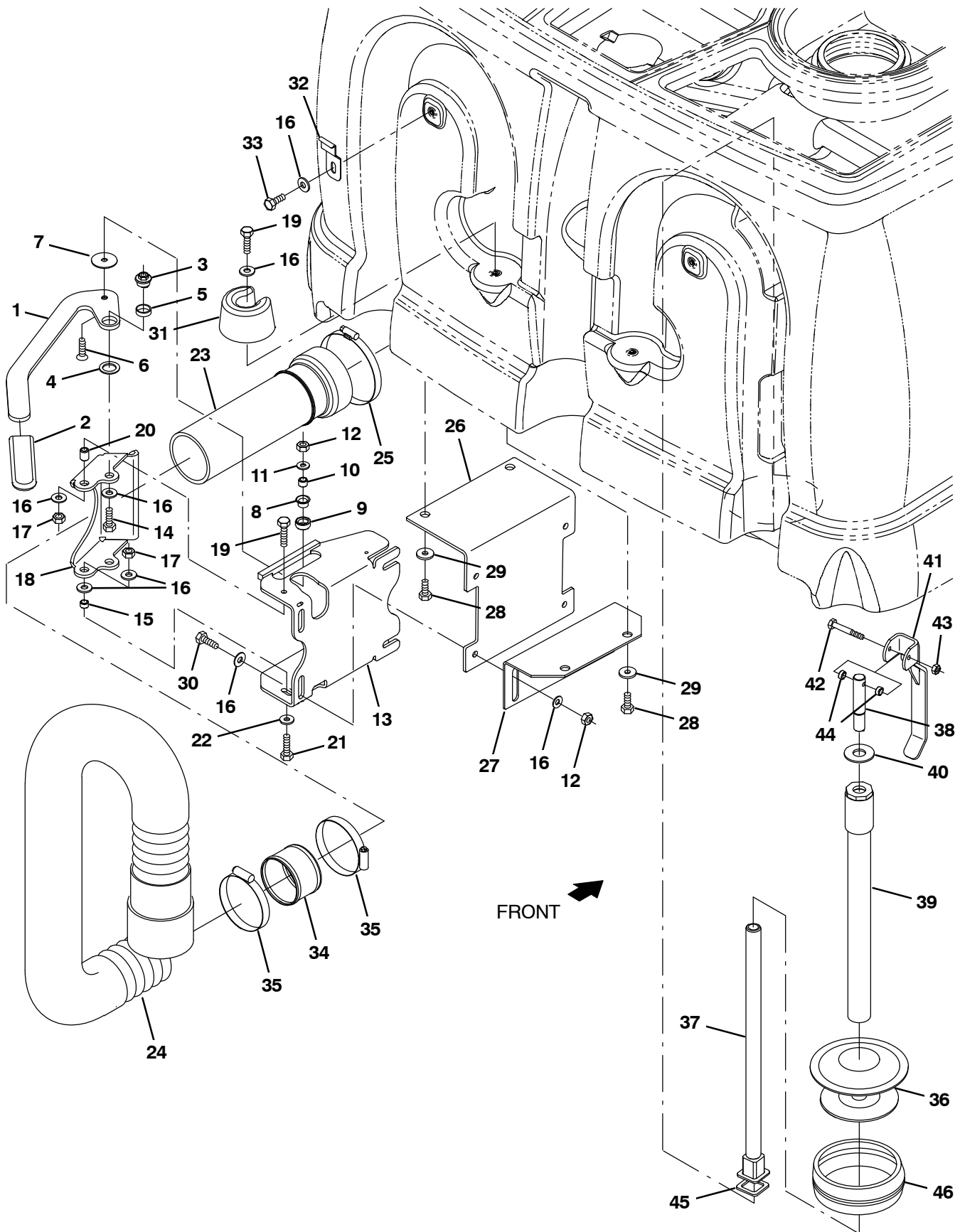


Fig. 49 – Recovery Tank Drain Group

Ref.	Part No.	Serial Number	Description	Qty.	
1	1026142	(008000–	) Handle, Valve, Pinch, Lh	1	
2	1023502	(008000–	) Grip, Handle	1	
3	1024599	(008000–	) Bushing, Eccentric, Adj	1	
4	1026051	(008000–	) Washer, Flat, 0.79b 1.18d .06, Nyl	1	
5	74090	(008000–	) Bushing, Sleeve, 0.75b 0.88d 0.25l	1	
6	79506	(008000–	) Screw, Flt, M8 X 1.25 X 30, Ss	1	
7	1028701	(008000–	) Washer, Thrust, 0.34b 1.50d .06	1	
8	15648	(008000–	) Bushing, Flng, 0.50b 0.59d 0.38l	1	
9	1028691	(008000–	) Roller, Brg	1	
10	1028690	(008000–	) Tube, 0.50d 0.32b 00.4l, Ss	1	
11	39349	(008000–	) Washer, Flat, 0.31, Sae	1	
12	08713	(008000–	) Nut, Hex, Lock, M8 X 1.25, NI, Ss	9	
13	1042010	(008000–	) Mount Wldt, Valve, Pinch, Lh	1	
14	39277	(008000–	) Screw, Hex, M8 X 1.25 X 25, 8.8	1	
15	222516	(008000–	) Sleeve, P/M, 0.31b 0.50d 0.3l [430ss]	1	
16	32491	(008000–	) Washer, Flat, 0.31, Std	10	
17	08713	(008000–	) Nut, Hex, Lock, M8 X 1.25, NI, Ss	3	
18	1024535	(008000–	) Arm, Pinch	1	
19	06955	(008000–	) Screw, Hex, M8 X 1.25 X 35, 8.8	2	
20	80395	(008000–	) Sleeve, P/M, 0.31b 0.50d 0.7l [430ss]	1	
21	76570	(008000–	) Screw, Hex, M8 X 1.25 X 30, 8.8	1	
22	41186	(008000–	) Washer, Flat, Belleville, .31	1	
23	9003794	(008000–	) Tube Kit, Tank, Recvy, Replmt	1	
24	1019424	(008000–	) Hose, Drain, 3.00id X 48.0l	1	
25	23498	(008000–	) Clamp, Hose, Wormdrive, 3.56–4.50d, .50w	1	
26	1025449	(008000–	) Angle, Mtg, Valve	2	
27	1025452	(008000–	) Angle, Mtg, Stl, .12 3.7 3.4 09.1l	2	
28	09740	(008000–	) Screw, Hex, M8 X 1.25 X 20, Ss	4	
29	1017218	(008000–	) Washer, Flat, 0.32b 1.00d .12, Ss	4	
30	09010	(008000–	) Screw, Hex, M8 X 1.25 X 25, Ss	4	
31	1022137	(008000–	) Plug, Hose, Pyu	1	
32	1025480	(008000–	) Bracket, Retaining, Hose	1	
33	15675	(008000–	) Screw, Hex, M8 X 1.25 X 16, Ss	1	
34	1020744	(008000–	) Tube, Rnd, 3.00d 2.90b 02.0l, Ss	1	
35	43555	(008000–	) Clamp, Hose, Wormdrive, 2.50–3.50d, .50w	2	
▽	9003313	(008000–	) Plug Kit, Drain, Recvy, Ci [M20 & T20]	1	
▲	36	1022370	(008000–	) Plug, Drain, Expandable, 4.75–6.00	1
▲	37	1028328	(008000–	) Tube Wldt, Plug, Drain	1
▲	38	1028173	(008000–	) Pin, Lift, Drain	1
▲	39	1072885	(008000–	) Tube Assy, Plug, Drain	1
▲	40	1028522	(008000–	) Washer, Flat, .78b 1.75d .18, Ss	1
▲	41	1028211	(008000–	) Handle Wldt, Drain	1
▲	42	58979	(008000–	) Screw, Hex, M6 X 1.0 X 55, Ss	1
▲	43	08712	(008000–	) Nut, Hex, Lock, M6 X 1.0, Ss, NI	1
▲	44	360801	(008000–	) Sleeve, 0.31b 0.50d 0.3l, Ss	2
▲	45	1035044	(008000–	) Seal, Shaft, Drain Plug	1
▲	46	1039652	(008000–	) Seal, Plug, Drain, Nitrile	1

**Fig. 50 - Vacuum Fan Group, Scrubbing**

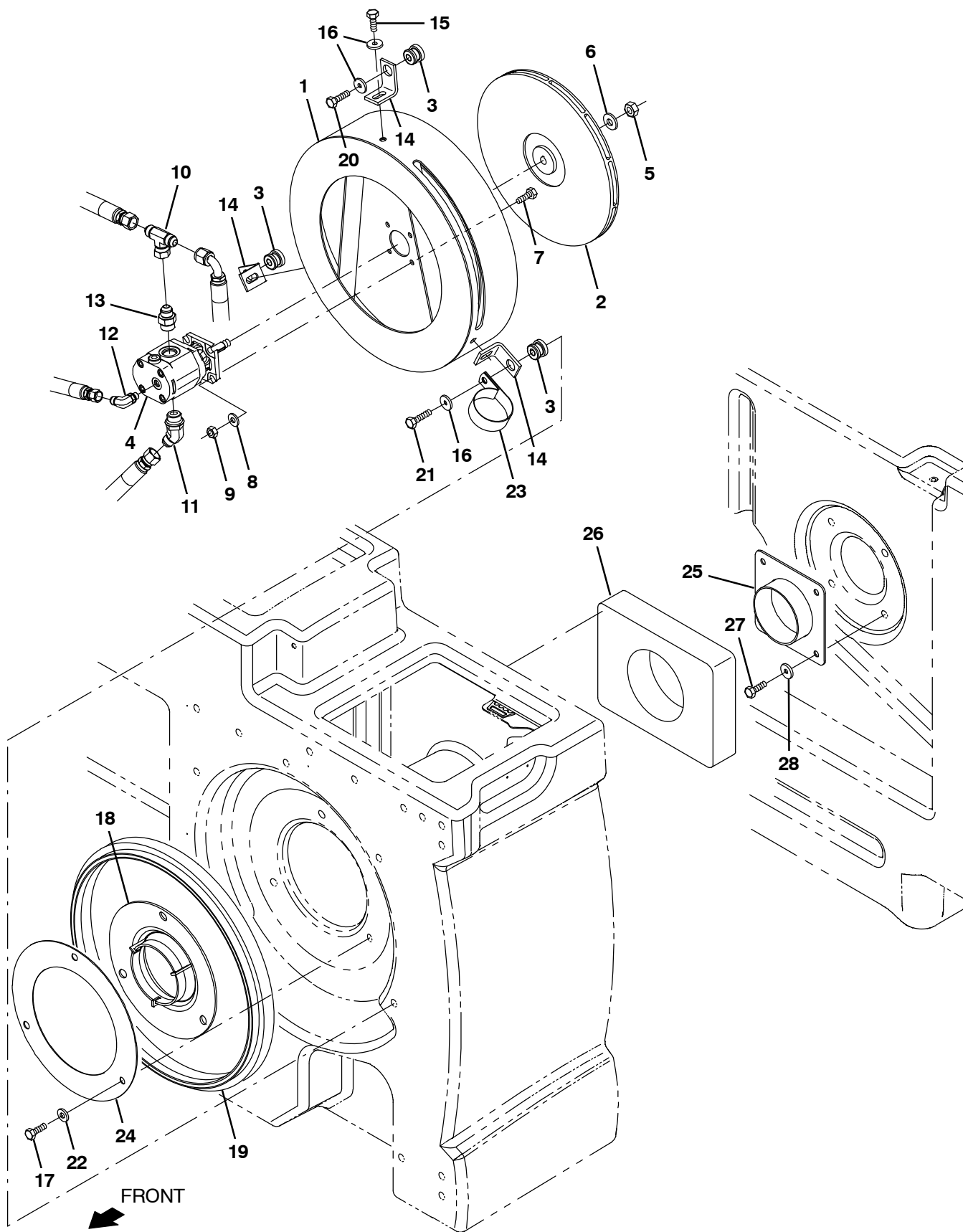


Fig. 50 - Vacuum Fan Group, Scrubbing

Ref.	Part No.	Serial Number	Description	Qty.
▽	9016241	(008000-	) Fan Kit, Scb, Replmt [M20/T20/M30]	1
▲	1 1068611	(008000-	) Plate Wldt, Mtg, Fan	1
▲	2 1062033	(008000-	) Impeller, 11.81d X 0.500b	1
▲	3 54274	(008000-	) Isolator, Vib, Bshg, 1.1d 0.6l .4b 0.78h	3
▲▽	9016242	(008000-	) Motor Kit, Replmt [M20/T20/M30]	1
▲▲	4 1076027	(008000-	) Motor, Hyd, Gear, Ext 0.17 Lh 3000	1
▲▲	5 07788	(008000-	) Nut, Hex, Std, M12 X 1.75, Ss	1
▲▲	6 36328	(008000-	) Washer, Flat, Belleville, .50	1
▲▲	7 09010	(008000-	) Screw, Hex, M8 X 1.25 X 25, Ss	4
▲▲	8 01685	(008000-	) Washer, Flat, 0.38b 0.88d .08, Ss	4
▲▲	9 08713	(008000-	) Nut, Hex, Lock, M8 X 1.25, NI, Ss	4
▲▲	10 76315	(008000-	) Fitting, Hyd, Tee, Jf08/Jm08/Jm08, Br	1
▲▲	11 47513	(008000-	) Fitting, Hyd, E45, Jm08/Om10	1
▲▲	12 77098	(008000-	) Fitting, Hyd, E90, Jm06/Om04	1
▲▲	13 56692	(008000-	) Fitting, Hyd, Str, Jm08/Om10	1
▲	14 1068644	(008000-	) Angle, Sppt, Fan	3
▲	15 39277	(008000-	) Screw, Hex, M8 X 1.25 X 25, 8.8	3
▲	16 1017218	(008000-	) Washer, Flat, 0.32b 1.00d .12, Ss	6
▲	17 09740	(008000-	) Screw, Hex, M8 X 1.25 X 20, Ss	3
▲	18 1059100	(008000-	) Housing, Fan, Radial Discharge, Sq Inlet	1
▲	19 1031617	(008000-	) Seal, Afmkt, Bulb, Str, .75d F/07ga 08ft	1
▲	20 09011	(008000-	) Screw, Hex, M8 X 1.25 X 30, Ss	2
▲	21 09023	(008000-	) Screw, Hex, M8 X 1.25 X 35, Fl, Ss	1
▲	22 01685	(008000-	) Washer, Flat, 0.38b 0.88d .08, Ss	3
	23 70157	(008000-	) Clamp, Cable, Ss, 2.50d X 1.00w, 1hole	1
	24 1074577	(008000-	) Plate, Rnd	1
	25 1023754	(008000-	) Plate Wldt, Hose, Vacuum	1
	26 1074414	(008000-	) Gasket, 2.00, 10.0w 13.0l, Adh	1
	27 09740	(008000-	) Screw, Hex, M8 X 1.25 X 20, Ss	4
	28 1017218	(008000-	) Washer, Flat, 0.32b 1.00d .12, Ss	4

Fig. 51 – Hydraulic Schematic

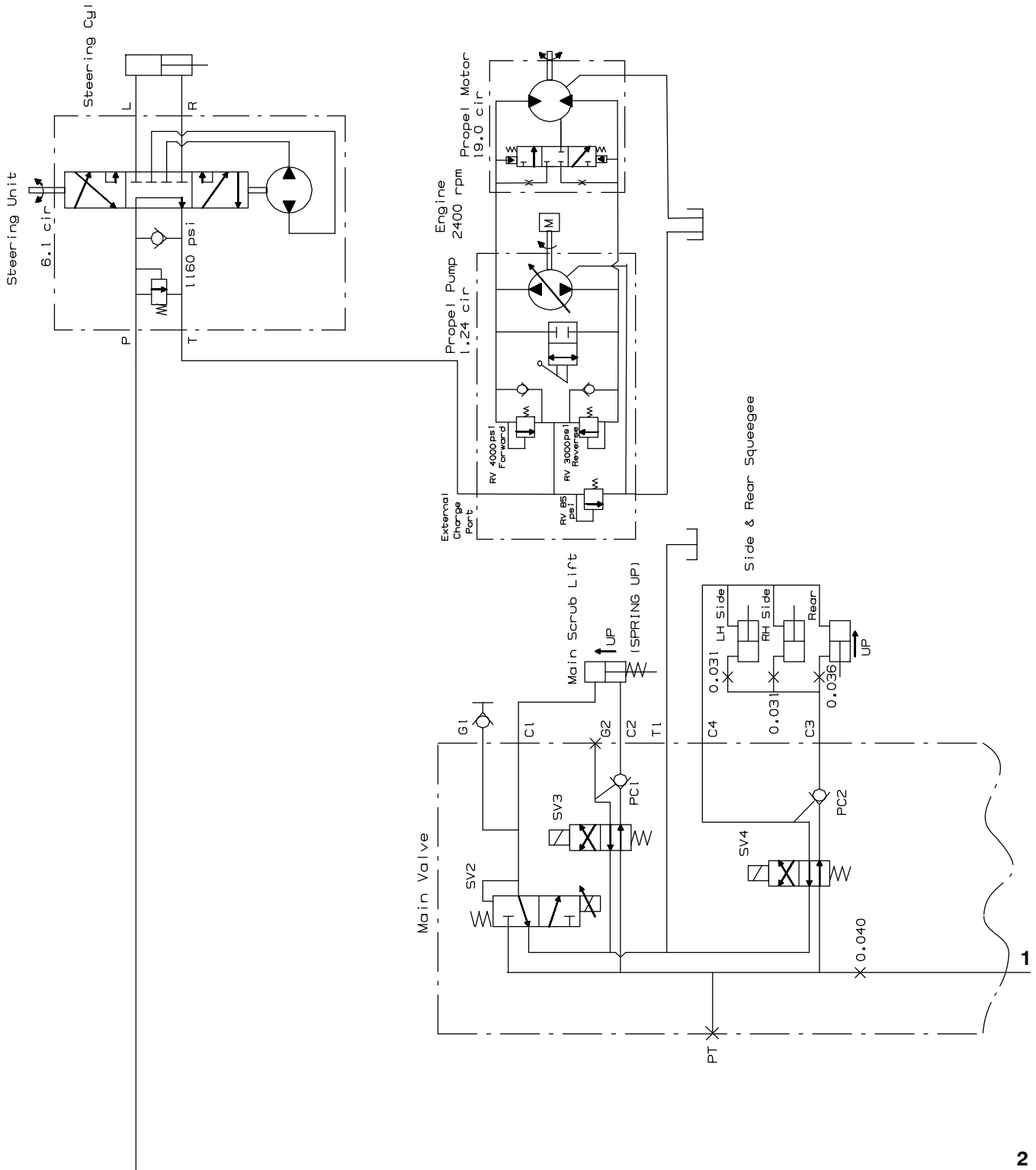
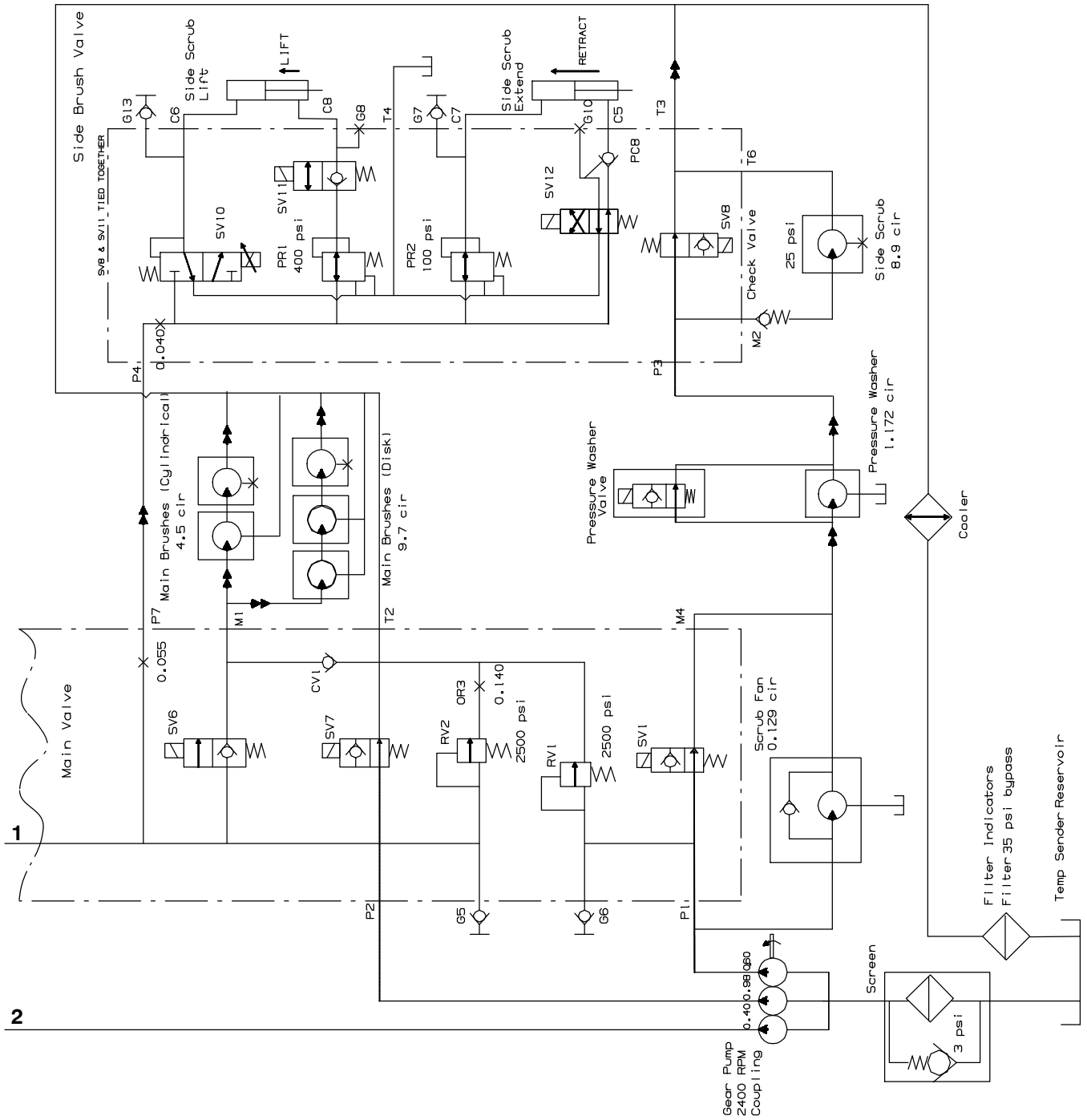


Fig. 51 - Hydraulic Schematic



**Fig. 52 – Hydraulic Hose Group, Steering and Propel**

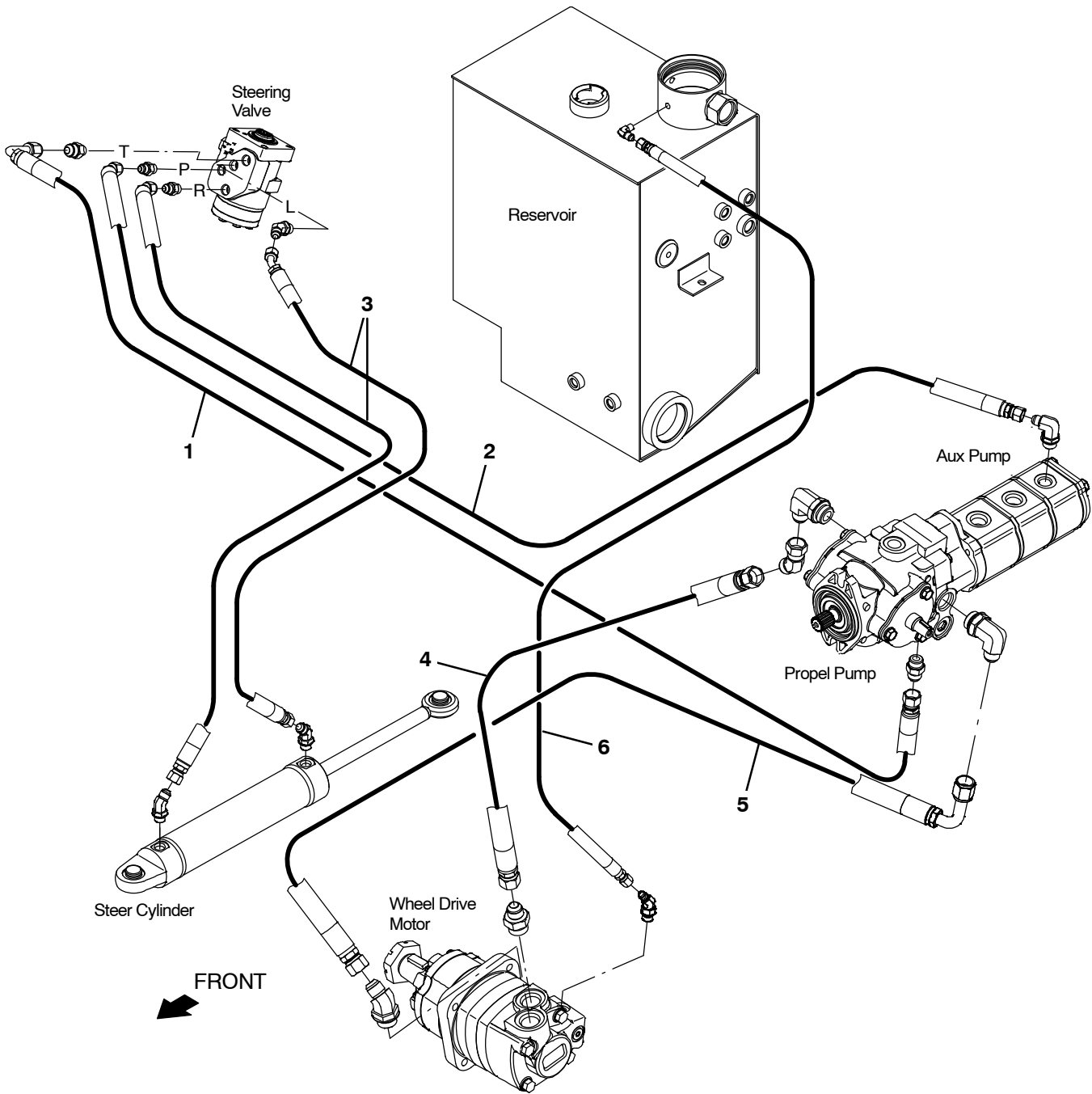




Fig. 52 – Hydraulic Hose Group, Steering and Propel

Ref.	Part No.	Serial Number	Description	Qty.
1	1229745	(008000–	) Hose, Hyd, Tc08, Jfoee90/Jf08str, 96	1
2	1226062	(008000–	) Hose, Hyd, Tc06, Jf06e45/Jf06str, 110.0	1
3	1226063	(008000–	) Hose, Hyd, Tc06, Jf06e45/Jf06str, 45.0	2
4	1038569	(008000–	) Hose, Hyd, Spcl, Jf10str/Jf10str, 56.5	1
5	1023488	(008000–	) Hose, Hyd, Spcl, Jf10e90/Jf10str, 63.0	1
6	1030404	(008000–	) Hose, Hyd,Med04, Jf04str/Jf04str, 066.0	1



Fig. 53 – Hydraulic Hose Group, Pump and Vacuum Fan

Ref.	Part No.	Serial Number	Description	Qty.
1	71741	(008000–	) Hose, Hyd, Tc08, Jf08e90/Jf08str, 046.0	1
2	65197	(008000–	) Hose, Hyd, Med08, Jf08e90/Jf08str, 062.0	1
3	396273	(008000–	) Hose, Hyd, Med06, Jf06str/Jf06str, 033.0	1
4	396255	(008000–	) Hose, Hyd, Tc08, Jf08str/Jf08e90, 031.0	1
5	1028145	(008000–	) Hose, Hyd, Med12, Jf12str/Jf12str, 066.0	1
6	1050436	(008000–	) Hose, Hyd, Med12, Jf12e90/Jf12str, 029.0	1
7	1023607	(008000–	) Hose, Hyd, Med08, Jf08str /Jf08e45, 21.0	1
8	34351	(008000–	) Hose, Hyd, Suc20, Jf20e90/Jf20str, 032.0	1
9	1026645	(008000–	) Hose, Hyd, Tc08, Jf08E45/Jf08Str, 026.0	1
10	71735	(008000–	) Hose, Hyd, Med06, Jf06e90/Jf06str, 042.0	1
11	1025547	(008000–	) Hose, Hyd, Med10, Jf10str/Jf10str, 41.0	1
12	1023606	(008000–	) Hose, Hyd, Tc08, Jf08Str/Jf08Str, 021.0	1

**Fig. 54 – Hydraulic Hose Group, Cylindrical Brush**

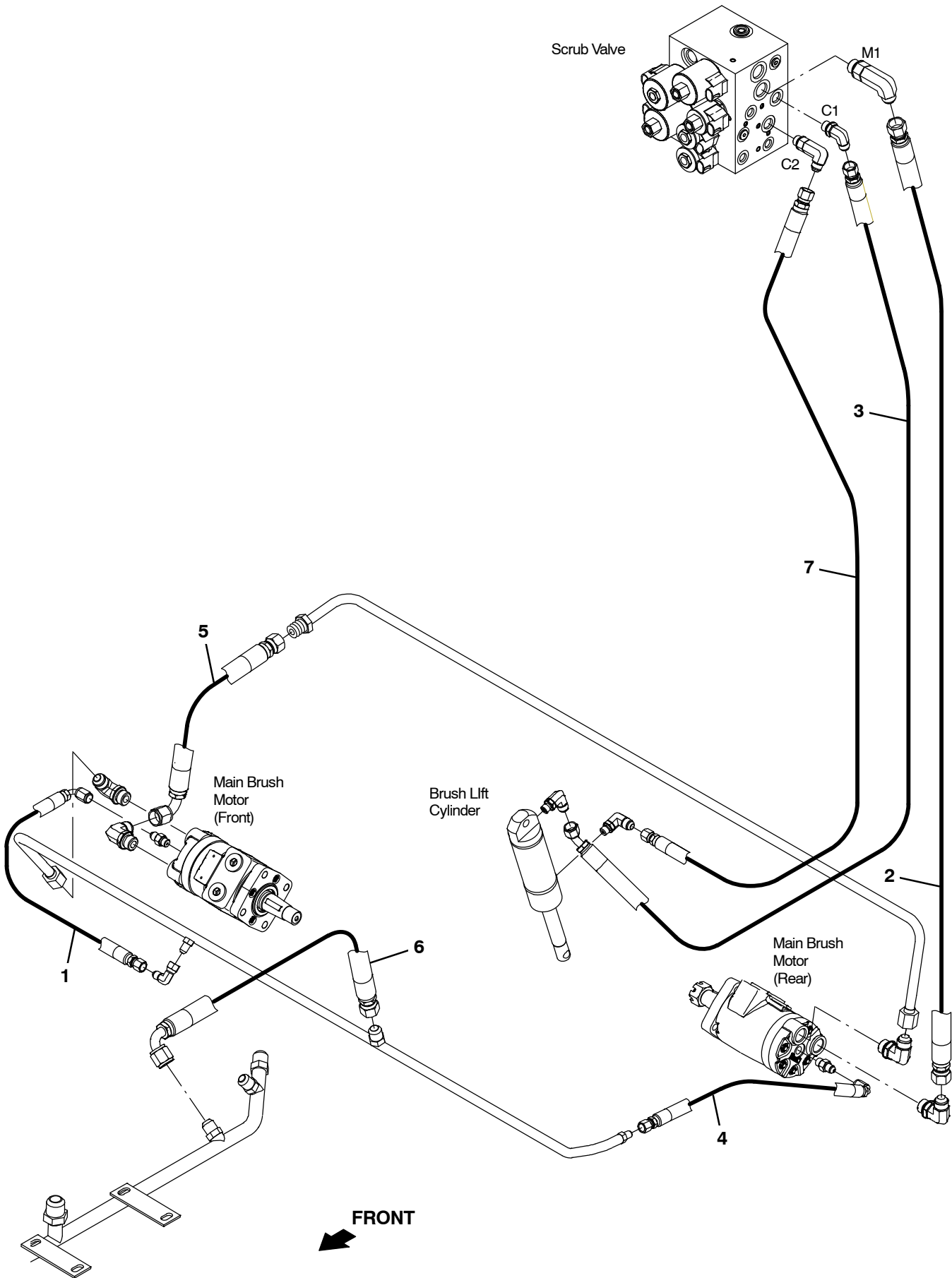


Fig. 54 - Hydraulic Hose Group, Cylindrical Brush

Ref.	Part No.	Serial Number	Description	Qty.
1	387281	(008000-	) Hose, Hyd, Tc04, Jf04e90/Jf04str, 020.0	1
2	1024764	(008000-	) Hose, Hyd, Tc08, Jf08str/Jf08str, 48.0	1
3	1023769	(008000-	) Hose, Hyd, Tc 06, Jf06str /Jf06e45, 56.0	1
4	57946	(008000-	) Hose, Hyd, Med04, Jf04e90/Jf04str, 016.0	1
5	1025544	(008000-	) Hose, Hyd, Tc08, Jf08e90/Jf08str, 13.0	1
6	381857	(008000-	) Hose, Hyd, Tc08, Jf08e90/Jf08str, 018.0	1
7	1036939	(008000-	) Hose, Hyd, Tc06, Jf06Str/Jf06Str, 054.0	1

**Fig. 55 – Hydraulic Hose Group, Disk Brush**

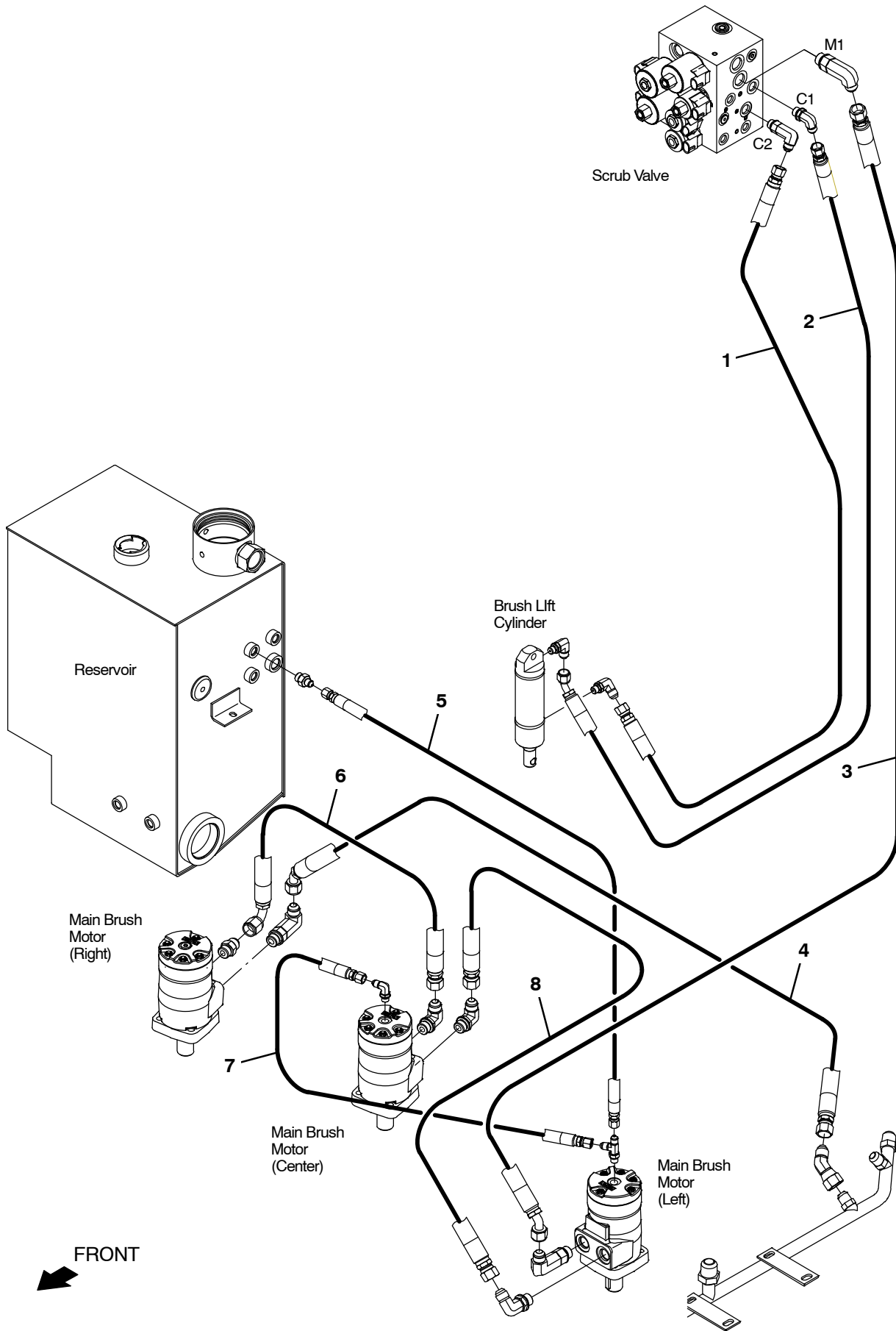


Fig. 55 - Hydraulic Hose Group, Disk Brush

Ref.	Part No.	Serial Number	Description	Qty.
1	1036939	(008000-	) Hose, Hyd, Tc06, Jf06str /Jf06str, 54.0	1
2	1023769	(008000-	) Hose, Hyd, Tc 06, Jf06str /Jf06e45, 56.0	1
3	381854	(008000-	) Hose, Hyd, Tc08, Jf08e45/Jf08str, 052.0	1
4	16462	(008000-	) Hose, Hyd, Med08, Jf08e45/Jf08str, 046.0	1
5	381866	(008000-	) Hose, Hyd, Tc04, Jf04str/Jf04str, 036.0	1
6	396278	(008000-	) Hose, Hyd, Tc08, Jf08e90/Jf08str, 020.0	1
7	381866	(008000-	) Hose, Hyd, Tc04, Jf04str/Jf04str, 036.0	1
8	365009	(008000-	) Hose, Hyd, Tc08, Jf08str/Jf08str, 040.0	1

Fig. 56 – Hydraulic Hose Group, Squeegee Lift

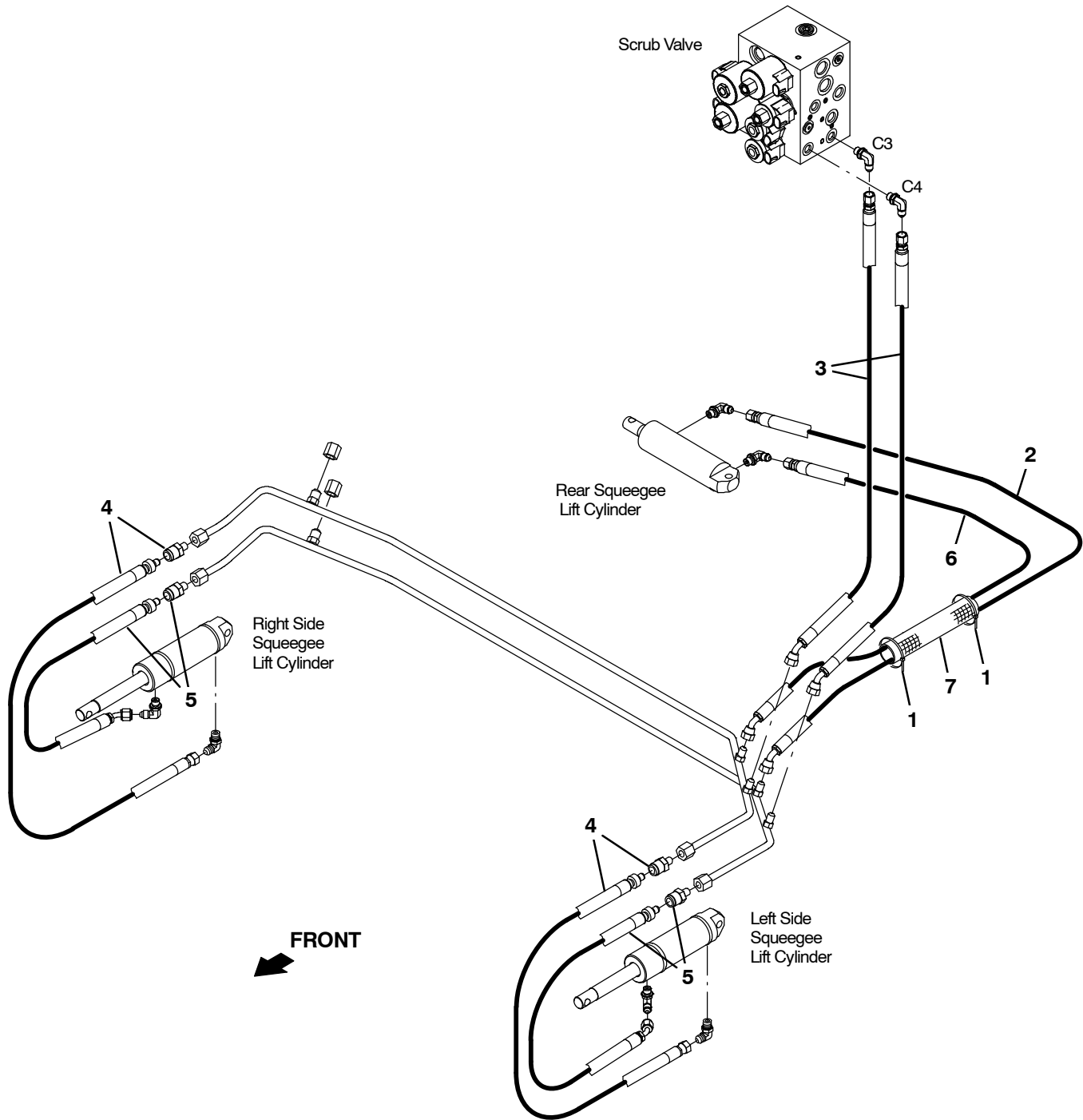




Fig. 56 - Hydraulic Hose Group, Squeegee Lift

Ref.	Part No.	Serial Number	Description	Qty.
1	49266	(008000-	) Tie, Cable, Nyl, 07.3l .19w 1.8 Max D	2
2	1055588	(008000-	) Hose, Hyd, Tc04, Jf04e45/Jf04str, 044.0	1
3	1030709	(008000-	) Hose, Hyd, Tc 04, Jf04str /Jf04e45 , 35.0	2
4	1045759	(008000-	) Hose, Hyd, Tc04, Jf04Str/Qm06, 028.0	2
5	1036899	(008000-	) Hose, Hyd, Tc04, Jf04E45/Qm06, 024.0	2
6	1055590	(008000-	) Hose, Hyd, Tc04, Jf04e45/Jf04str, 048.0	1
7	57223	(008000-	) Sleeve, Nyl, 1.22id 14.0l	1

Fig. 57 – Hydraulic Pumps Group

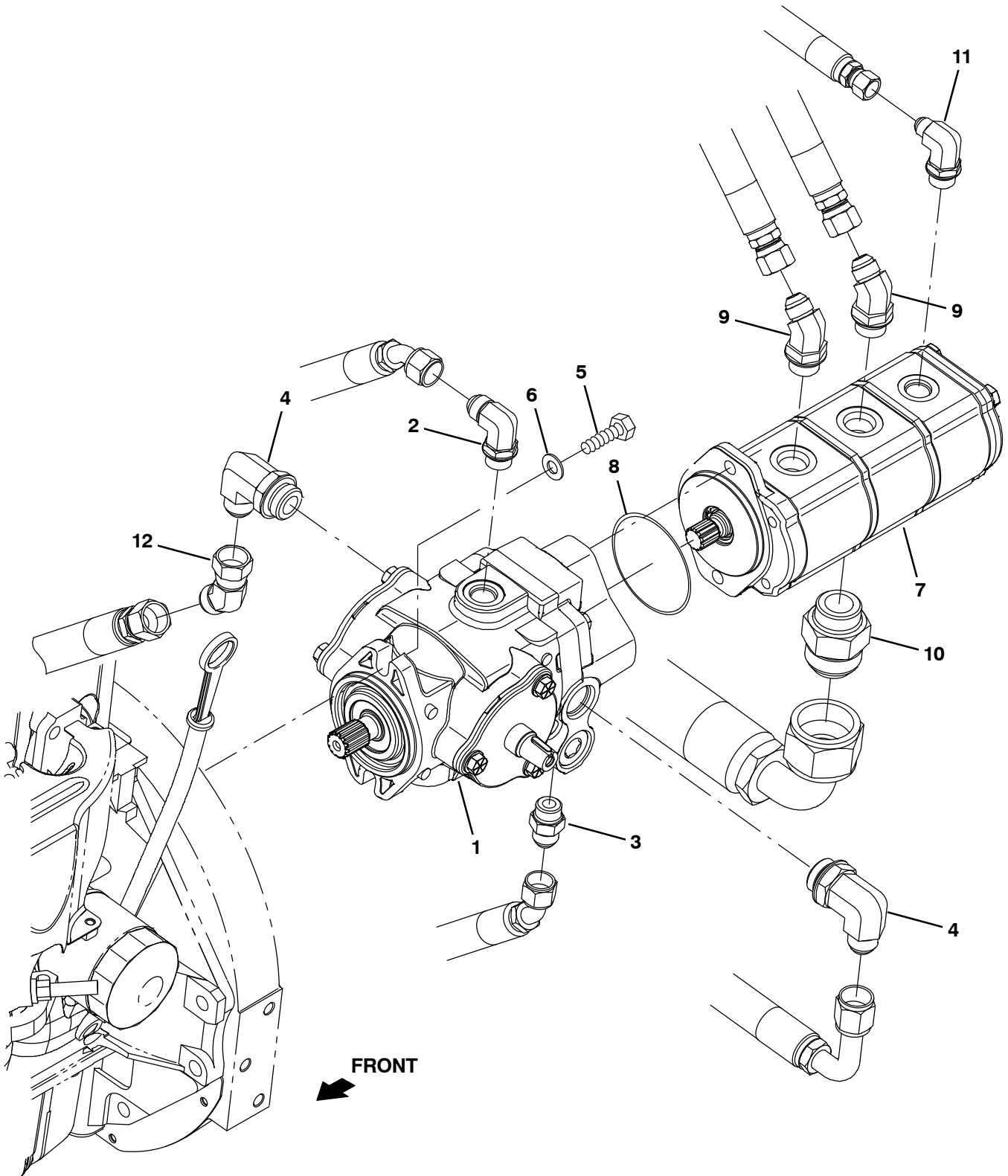


Fig. 57 - Hydraulic Pumps Group

Ref.	Part No.	Serial Number	Description	Qty.
1	1024251	(008000-	) Pump, Hyd, Piston, Var, 1.24 4000, Cw (See Breakdowns)	1
2	44868	(008000-	) Fitting, Hyd, E90, Jm08/Om08	1
3	44869	(008000-	) Fitting, Hyd, Str, Jm08/Om08	1
4	53076	(008000-	) Fitting, Hyd, E90, Jm10/Om12	2
5	39283	(008000-	) Screw, Hex, M10 X 1.50 X 25, 8.8	2
6	32485	(008000-	) Washer, Flat, 0.38 Sae	2
7	9007142	(008000-	) Pump Kit, Mtg, Aux, Ci [M20 & T20]	1
8	65145-1	(008000-	) Seal, Org, .069 X 3.06id	1
9	47513	(008000-	) Fitting, Hyd, E45, Jm08/Om10	2
10	67811	(008000-	) Fitting, Hyd, Str, Jm20/Om16	1
11	47512	(008000-	) Fitting, Hyd, E90, Jm06/Om08	1
12	54017	(008000-	) Fitting, Hyd, E45, Jf10/Jm10	1

**Fig. 58 – Hydraulic Cooler and Tubes Group**

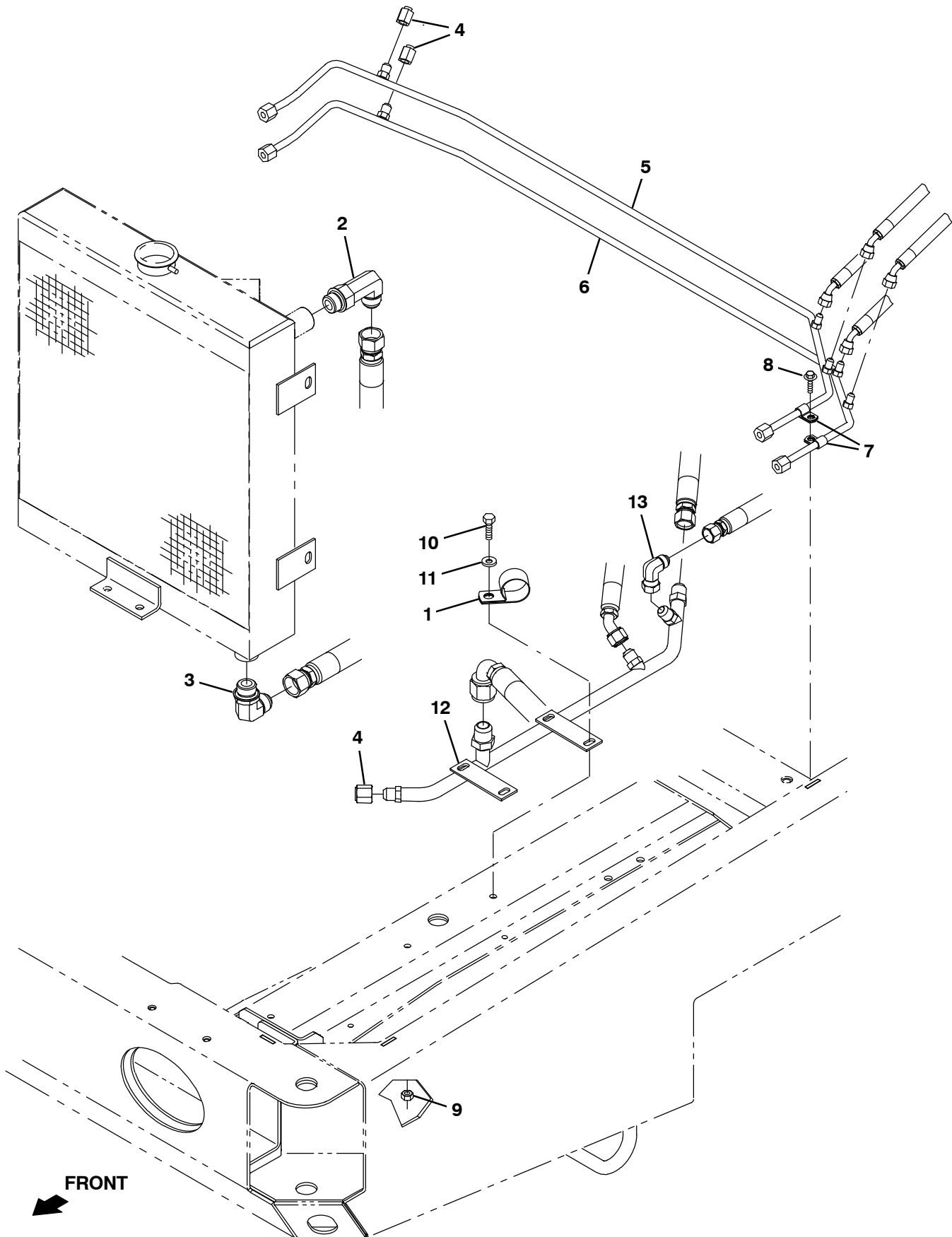


Fig. 58 – Hydraulic Cooler and Tubes Group

Ref.	Part No.	Serial Number	Description	Qty.
1	53466	(008000–	) Clamp, Cable, Stl, 1.50d X 1.00w, 1h	1
2	46481	(008000–	) Fitting, Hyd, E90, Jm12/Om12	1
3	62471	(008000–	) Fitting, Hyd, E90, Jm12/Om12, L	1
4	40625	(008000–	) Fitting, Hyd, Cap, Jf06	3
5	1028821	(008000–	) Tube, Hyd, Sqge	1
6	1028822	(008000–	) Tube, Hyd, Sqge	1
7	40678	(008000–	) Clamp, Cable, Stl, 0.44d X 0.62w, 1h	2
8	74455	(008000–	) Screw, Hex, M6 X 1.0 X 12, Fmg	1
9	41430	(008000–	) Nut, Hex, Lock, M10 X 1.5, NI	2
10	39277	(008000–	) Screw, Hex, M8 X 1.25 X 25, 8.8	2
11	32491	(008000–	) Washer, Flat, 0.31, Std	2
12	1071173	(008000–	) Tube, Hyd, Main Return [G/Lp Mit2013]	1
13	17980	(008000–	) Fitting, Hyd, E90, Jf08/Jm08	1

**Fig. 59 – Hydraulic Reservoir Group**

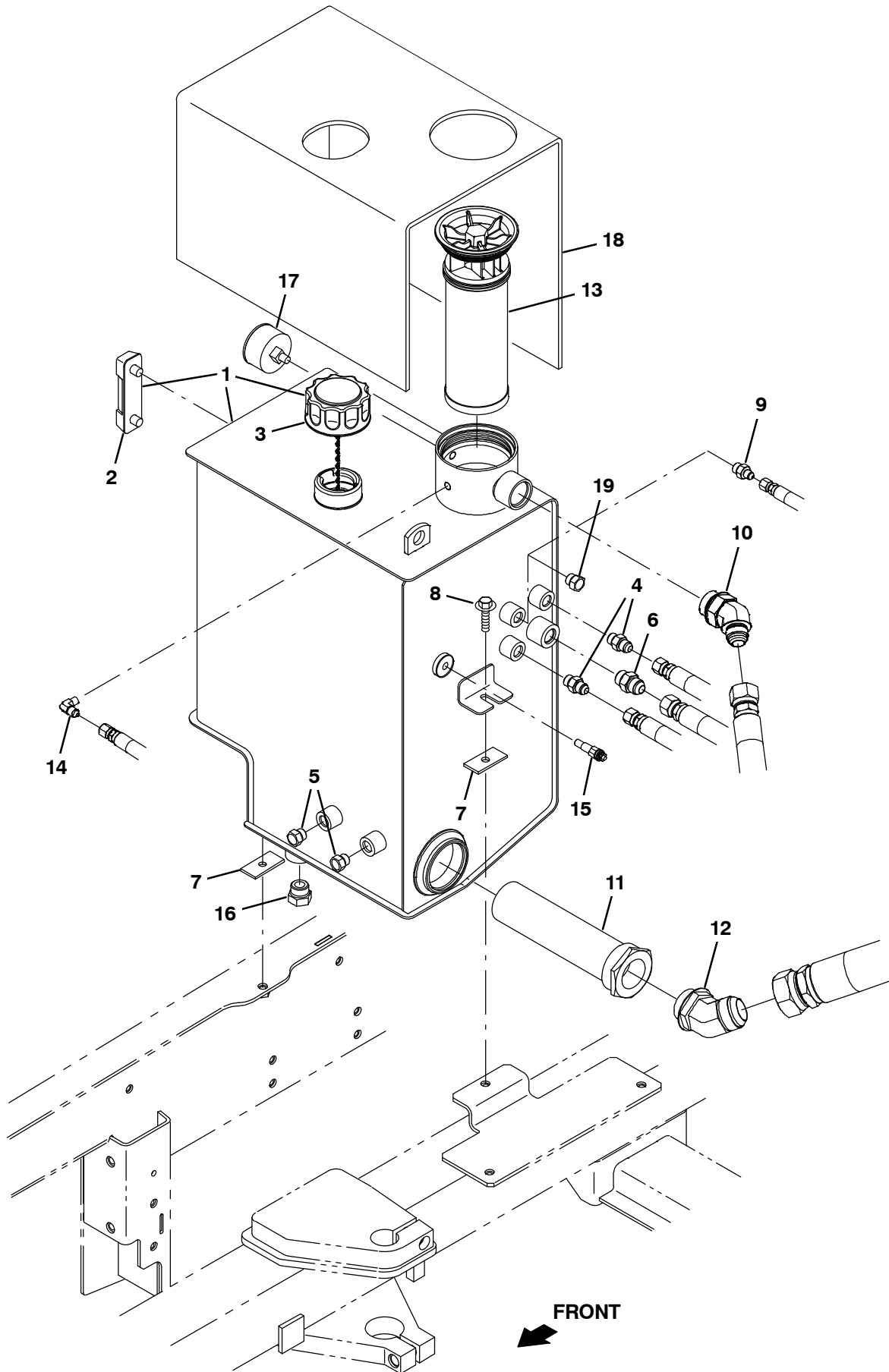


Fig. 59 - Hydraulic Reservoir Group

	Ref.	Part No.	Serial Number	Description	Qty.
▽	1	9002398	(008000-	) Reservoir, Hyd, 10.0Gal, Replmt	1
▲	2	65215	(008000-	) Gauge, Sensing, Level	1
▲	3	1018289	(008000-	) Cap, Breather, Hyd, W Chain	1
	4	56690	(008000-	) Fitting, Hyd, Str, Jm06/Om06	2
	5	46482	(008000-	) Fitting, Hyd, Plug, Om06	2
	6	44869	(008000-	) Fitting, Hyd, Str, Jm08/Om08	1
	7	1040318	(008000-	) Pad, Tank, Hyd [W/Psa]	2
	8	1037354	(008000-	) Screw, Hex, M8 X 1.25 X 30, 9.8, Sems	2
	9	55685	(008000-	) Fitting, Hyd, Str, Jm04/Om06 (Disk Scrub Head Only)	1
	10	1023545	(008000-	) Fitting, Hyd, E45, Jm12/Om16	1
	11	31613	(008000-	) Strainer, Hyd, 25gpm 100mesh Psi	1
	12	71726	(008000-	) Fitting, Hyd, E45, Jm20/Om20	1
	13	1021579	(008000-	) Filter Assy, Hyd, 10mic	1
	14	55455	(008000-	) Fitting, Hyd, E90, Jm04/Pm02	1
	15	58592	(008000-	) Send-Unit, Water, Temp, 04npt 113oh/195d	1
	16	40362	(008000-	) Fitting, Hyd, Plug, Om10	1
	17	1025132	(008000-	) Indicator, Press, 60psi	1
	18	1034878	(008000-	) Insulation, Thermal, Hydraulic Blanket	1
	19	46482	(008000-	) Fitting, Hyd, Plug, Om06 (Cylindrical Scrub Head Only)	1

**Fig. 60 – Hydraulic Valve Group**

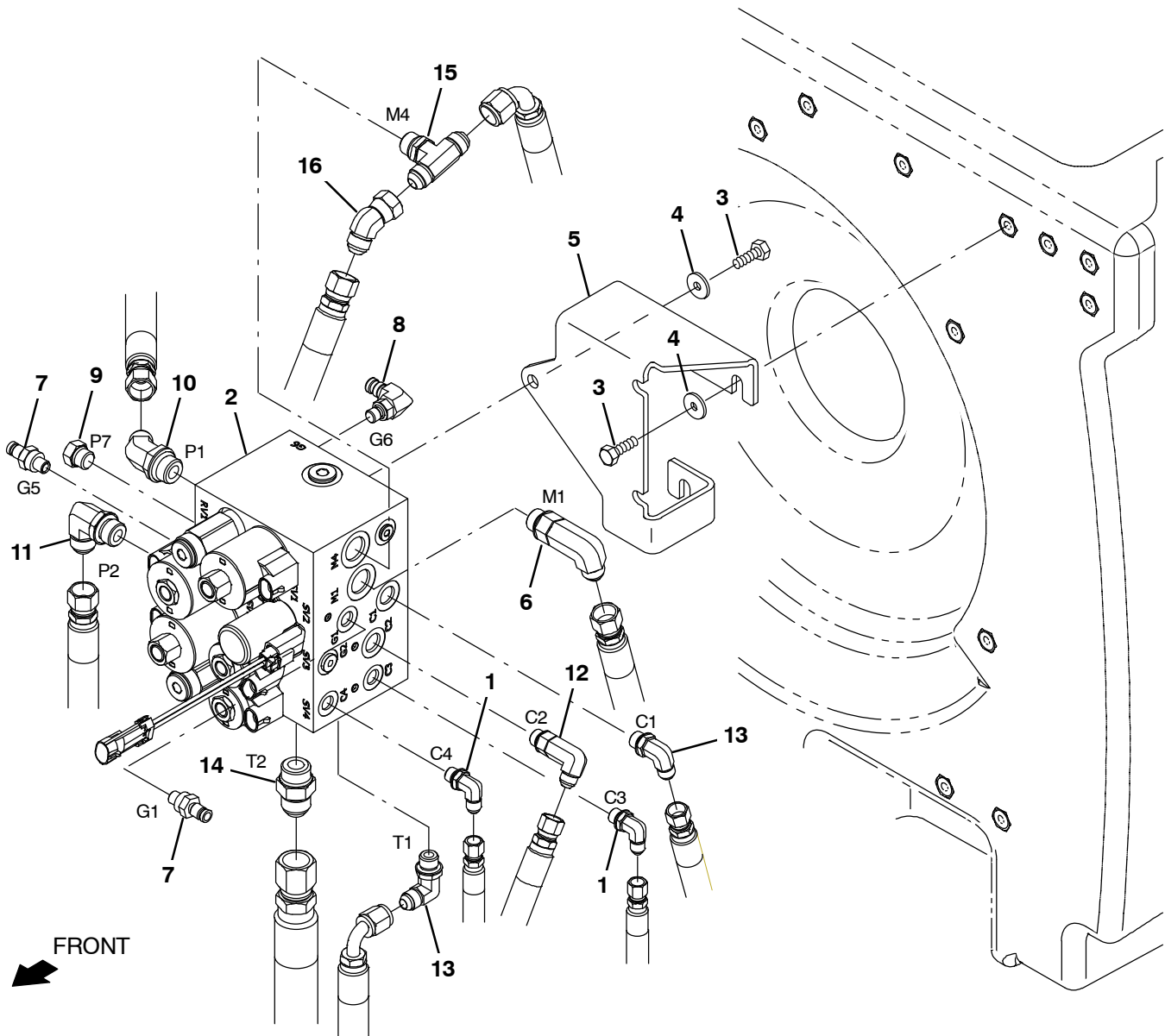




Fig. 60 - Hydraulic Valve Group

Ref.	Part No.	Serial Number	Description	Qty.
1	77097	(008000-	) Fitting, Hyd, E90, Jm04/Om04	2
2	1072996	(008000-	) Valve, Cntrl, Hyd, Solenoid, 12vdc 08gpm (See Break-downs)	1
3	09740	(008000-	) Screw, Hex, M8 X 1.25 X 20, Ss	6
4	1017218	(008000-	) Washer, Flat, 0.32b 1.00d .12, Ss	6
5	1021991	(008000-	) Bracket, Mtg, Valve, Hyd, Scb	1
6	69173	(008000-	) Fitting, Hyd, E90, Jm08/Om08, Long	1
7	395973	(008000-	) Fitting, Hyd, Str, Om04/Qm04	2
8	395974	(008000-	) Fitting, Hyd, E90, Om04/Qm04	1
9	46482	(008000-	) Fitting, Hyd, Plug, Om06	1
10	42226	(008000-	) Fitting, Hyd, E45, Jm08/Om08	1
11	44868	(008000-	) Fitting, Hyd, E90, Jm08/Om08	1
12	71727	(008000-	) Fitting, Hyd, E90, Jm06/Om06, Long	1
13	56820	(008000-	) Fitting, Hyd, E90, Jm06/Om06	2
14	46480	(008000-	) Fitting, Hyd, Str, Jm10/Om10	1
15	49933	(008000-	) Fitting, Hyd, Tee, Jm08/Jm08/Om08, Br	1
16	07797	(008000-	) Fitting, Hyd, E45, Jf08/Jm08	1



Fig. 61 - Electrical Schematic

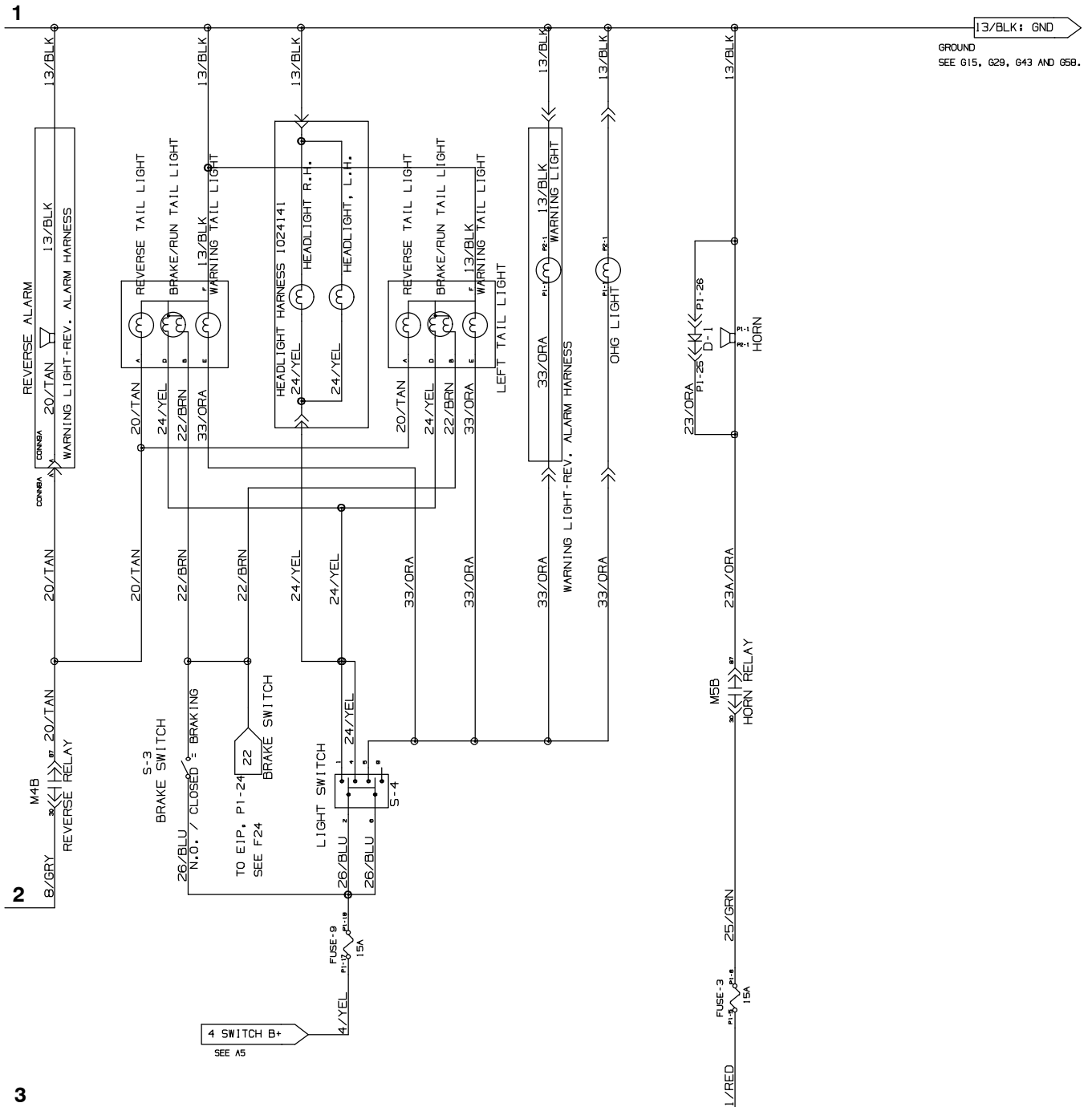




Fig. 61 - Electrical Schematic

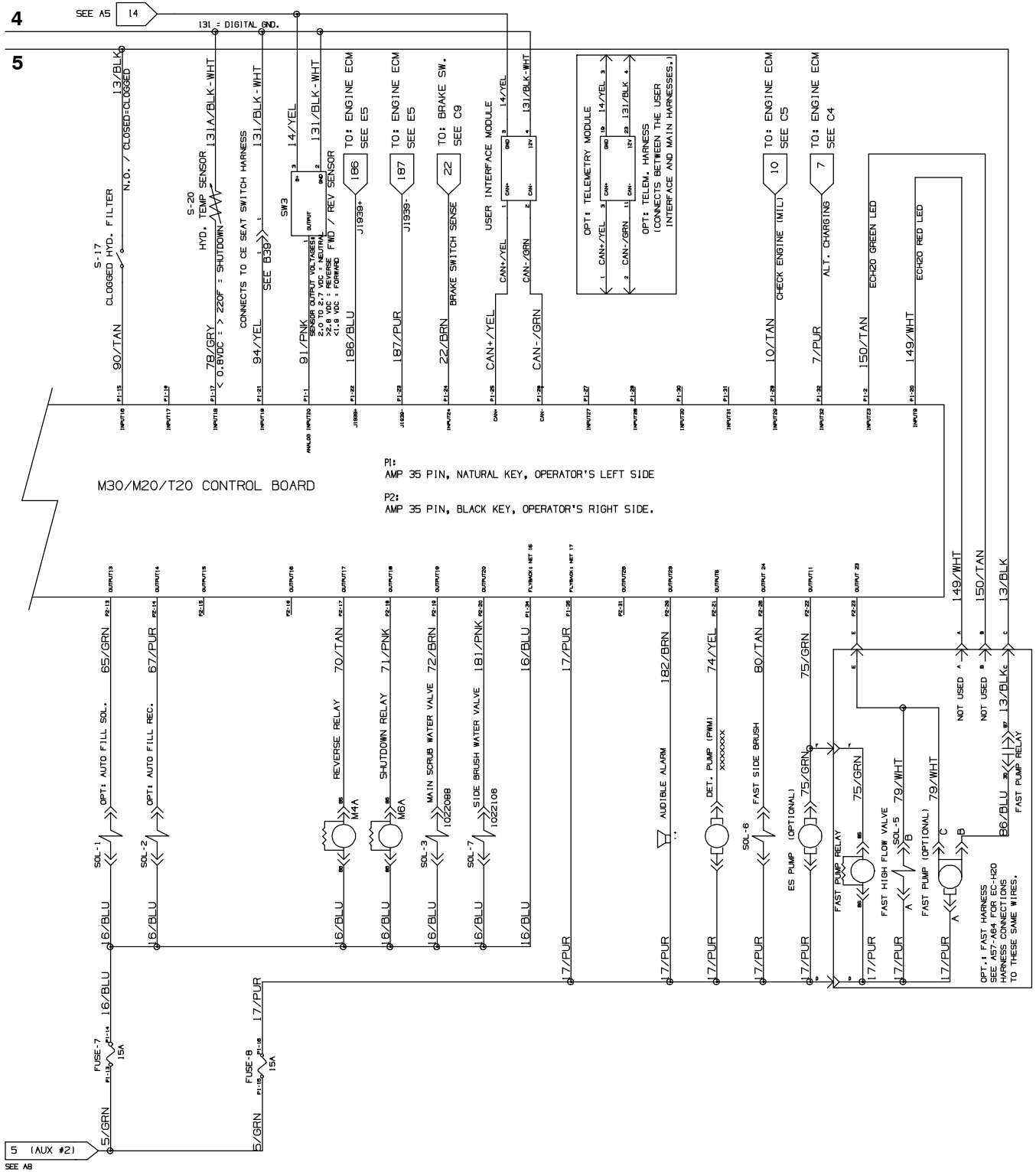
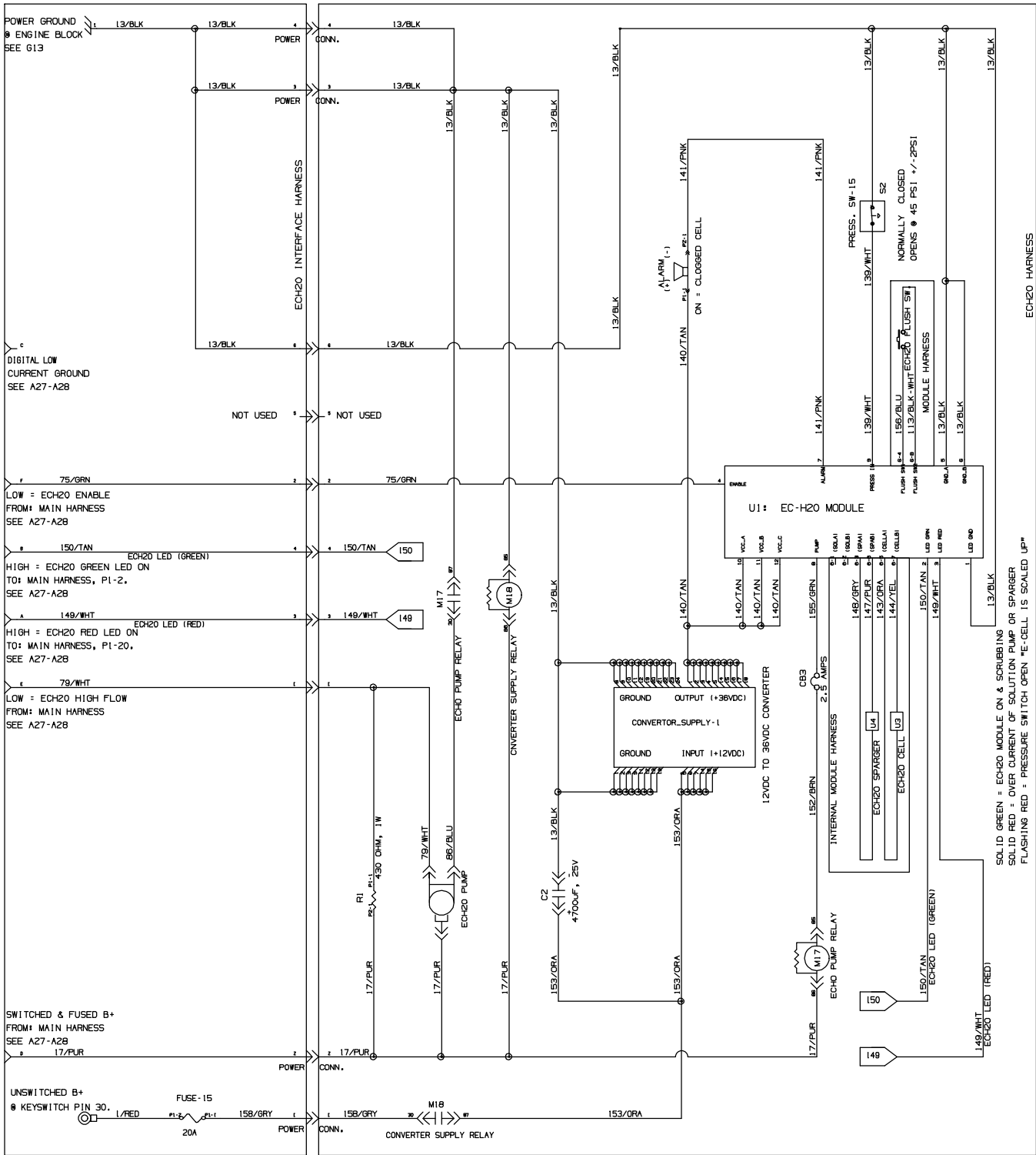


Fig. 61 – Electrical Schematic

OPT: EC-H2O SYSTEM



1075421 - 356681 - T20

Fig. 61 – Electrical Schematic

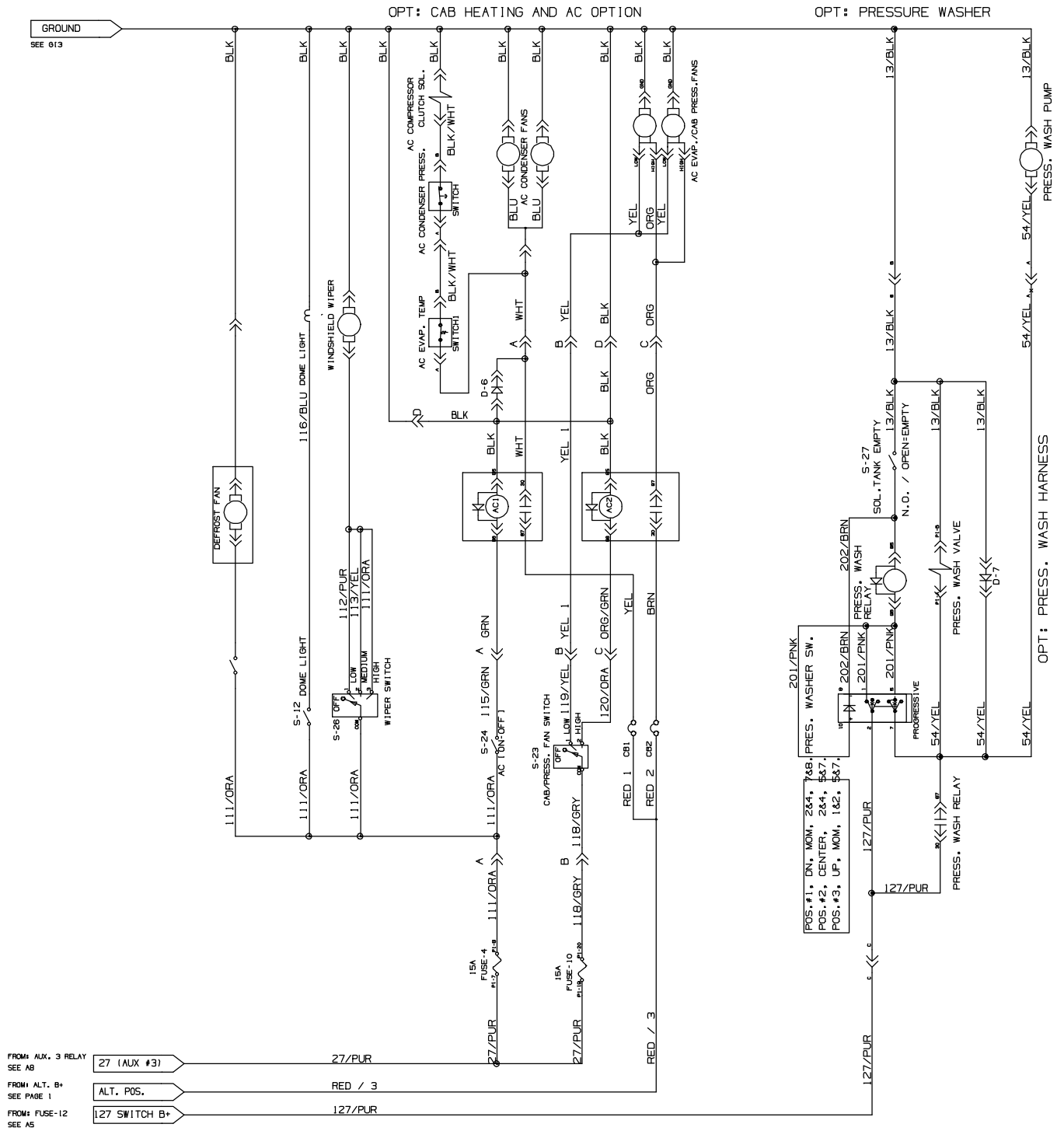


Fig. 61 – Mitsubishi Electrical Schematic

OPT: SPRAY NOZZLE

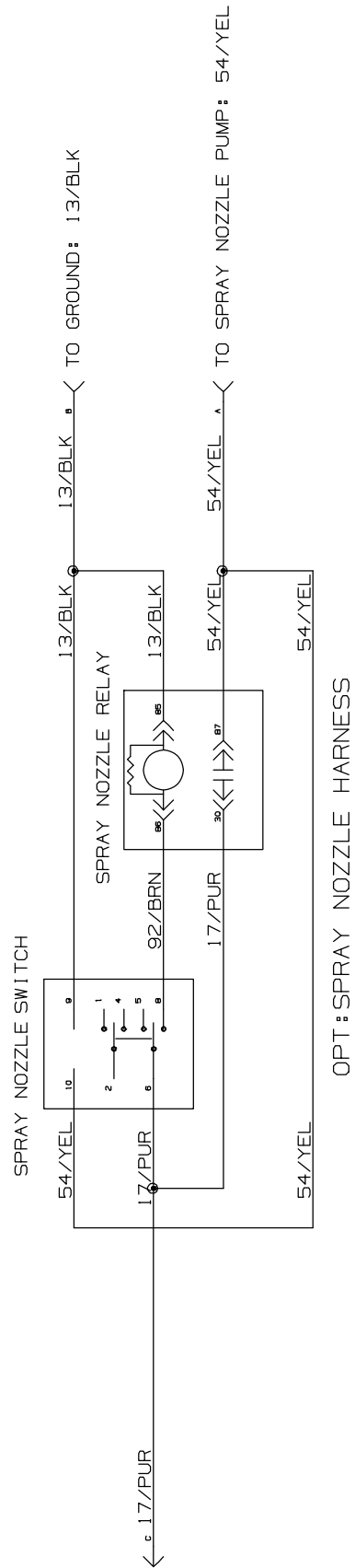
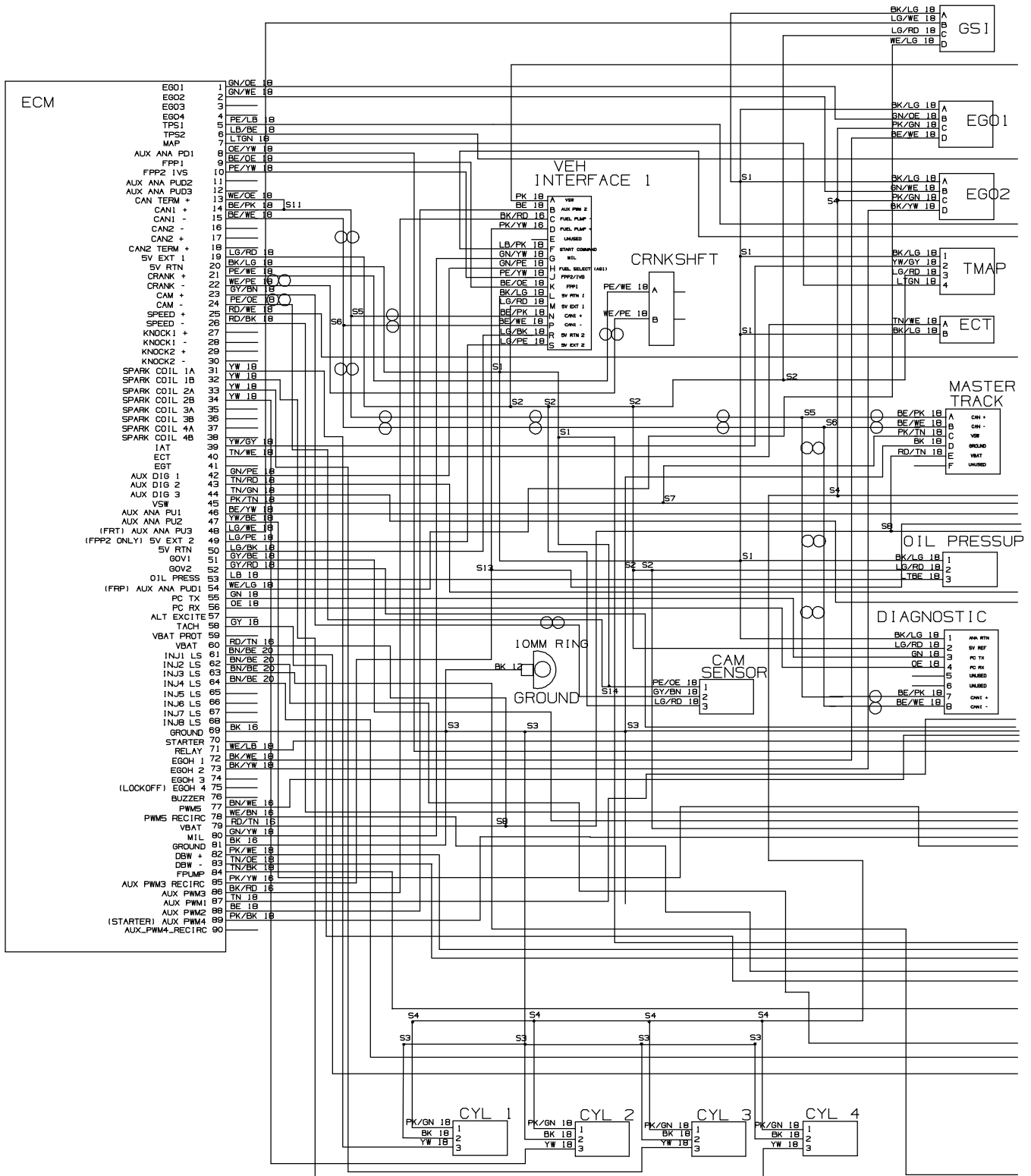




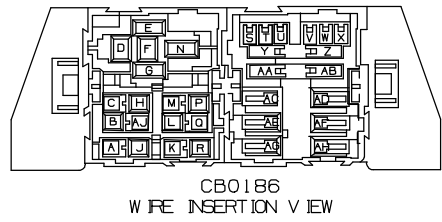
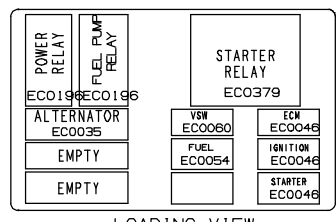
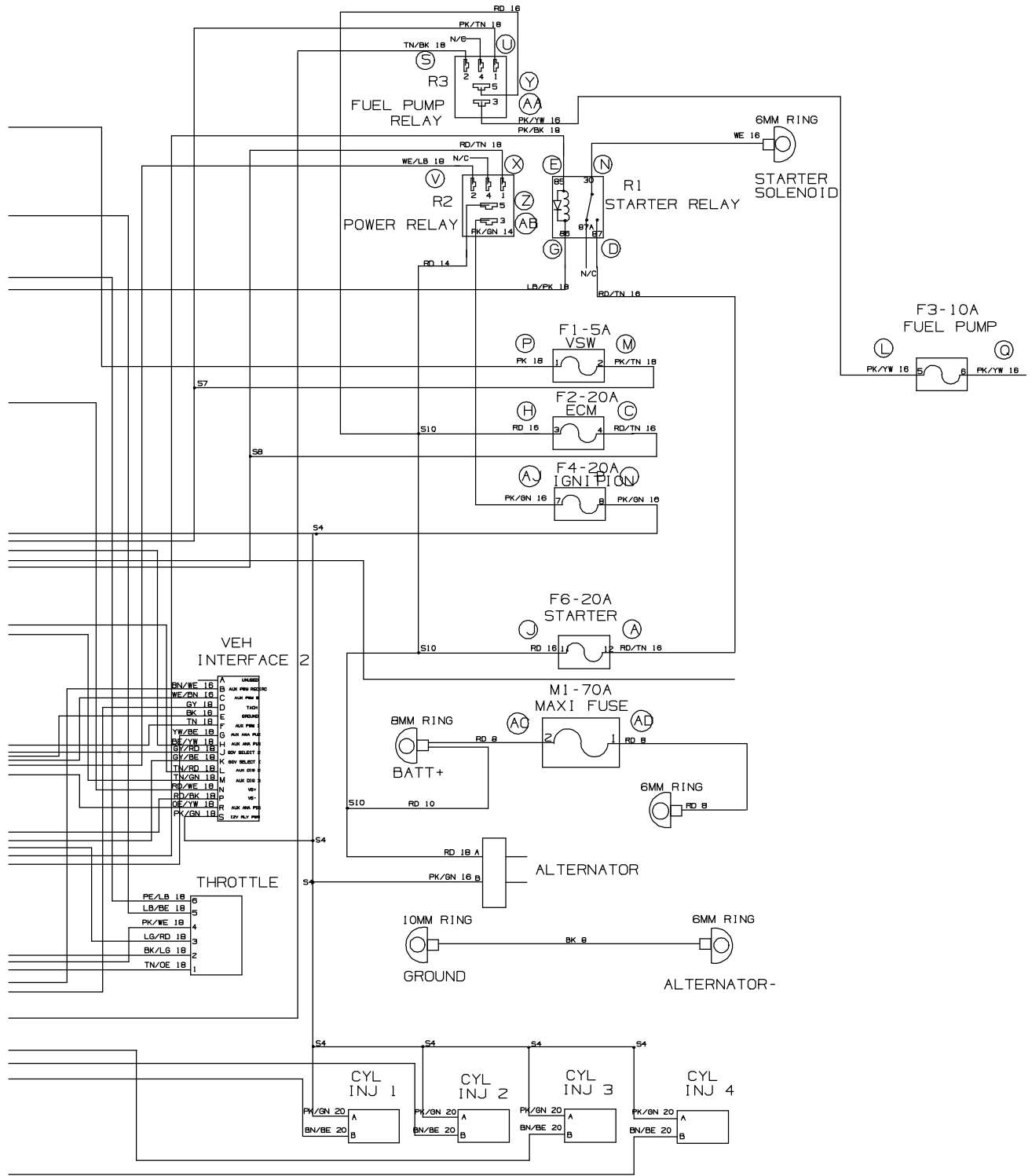


Fig. 62 – Mitsubishi Electrical Schematic, Gas Engine Harness

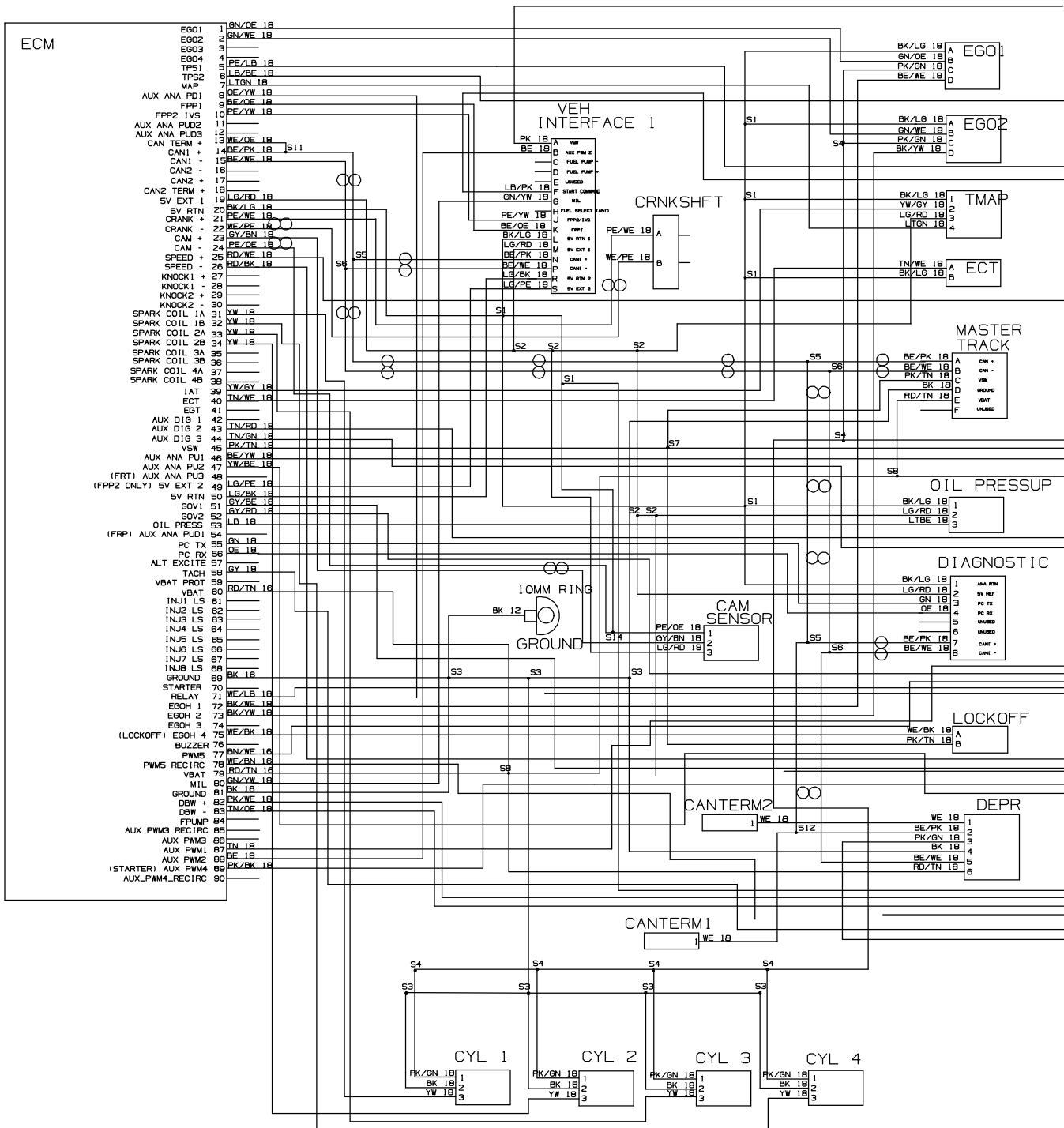


1071653- 356303

Fig. 62 - Mitsubishi Electrical Schematic, Gas Engine Harness

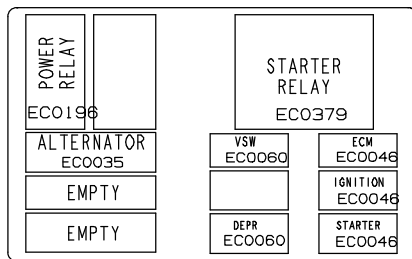
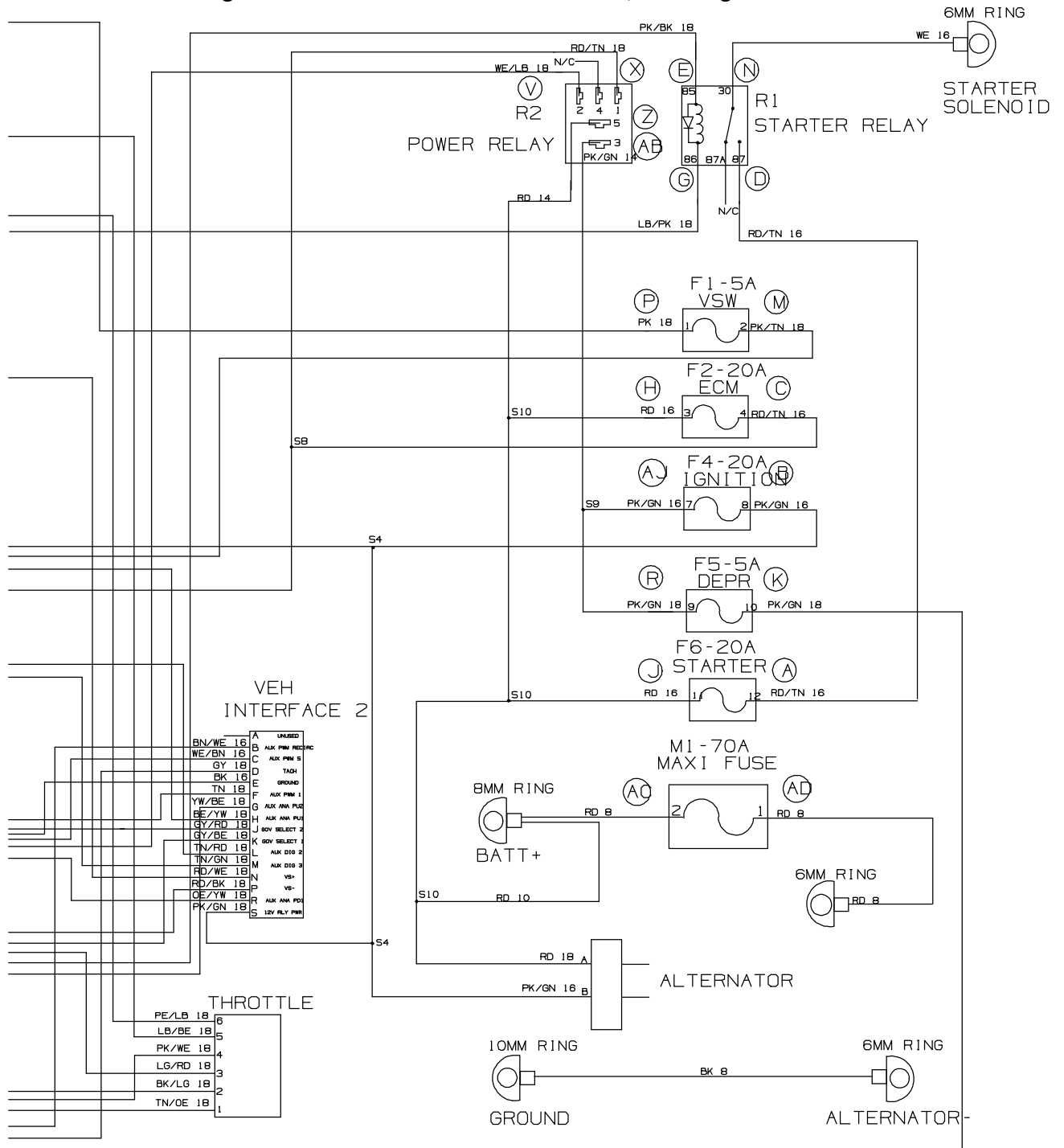


## Fig. 63 – Mitsubishi Electrical Schematic, LPG Engine Harness

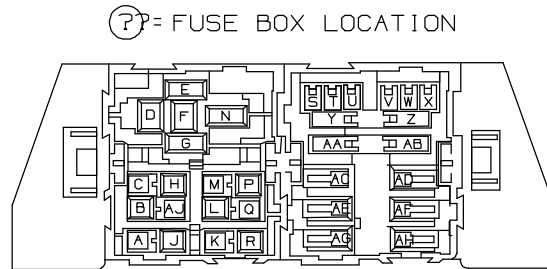


1071654- 356304

Fig. 63 - Mitsubishi Electrical Schematic, LPG Engine Harness



LOADING VIEW



CB0186  
WIRE INSERTION VIEW

## Fig. 64 - Electrical Wire Harness Group, Main

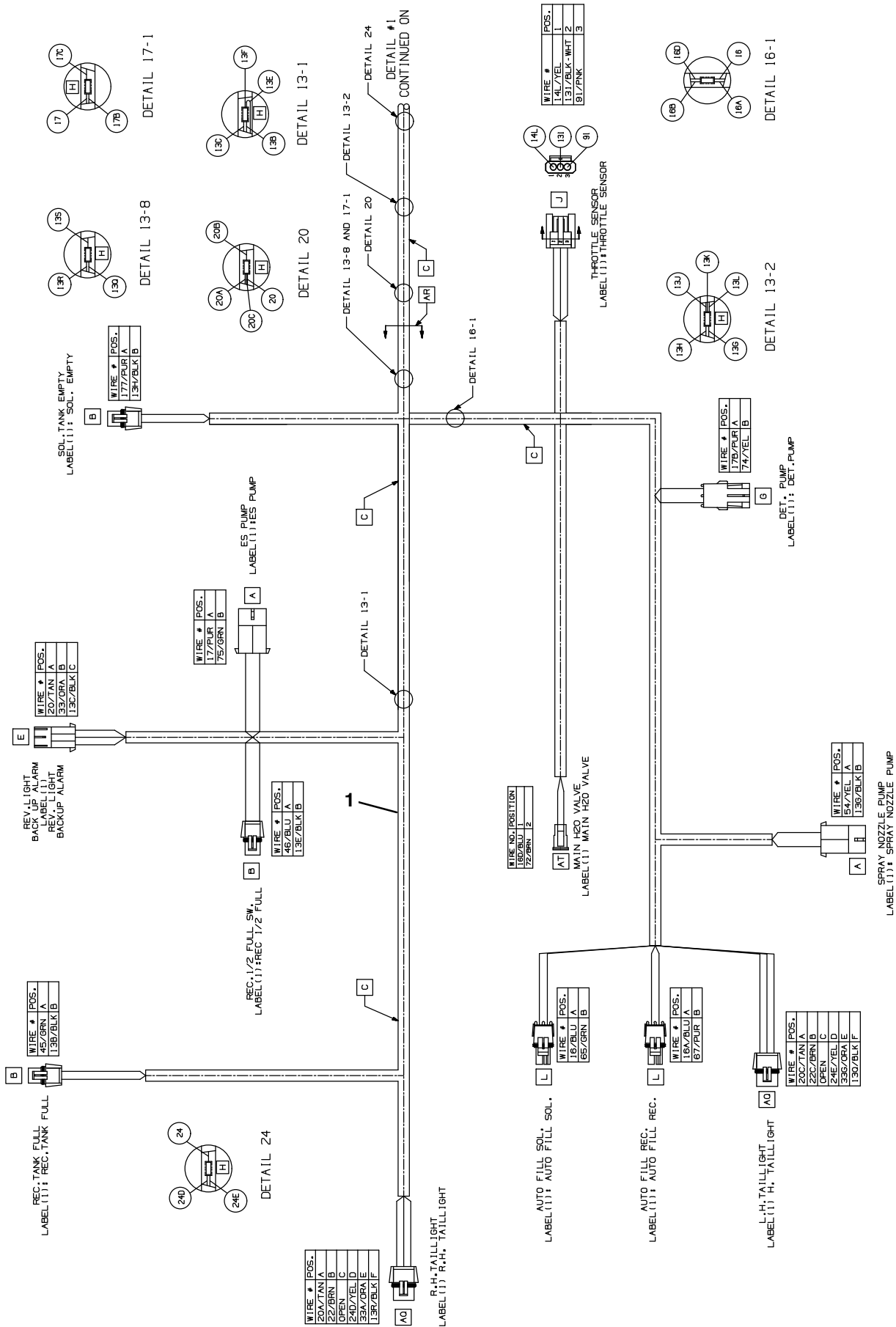
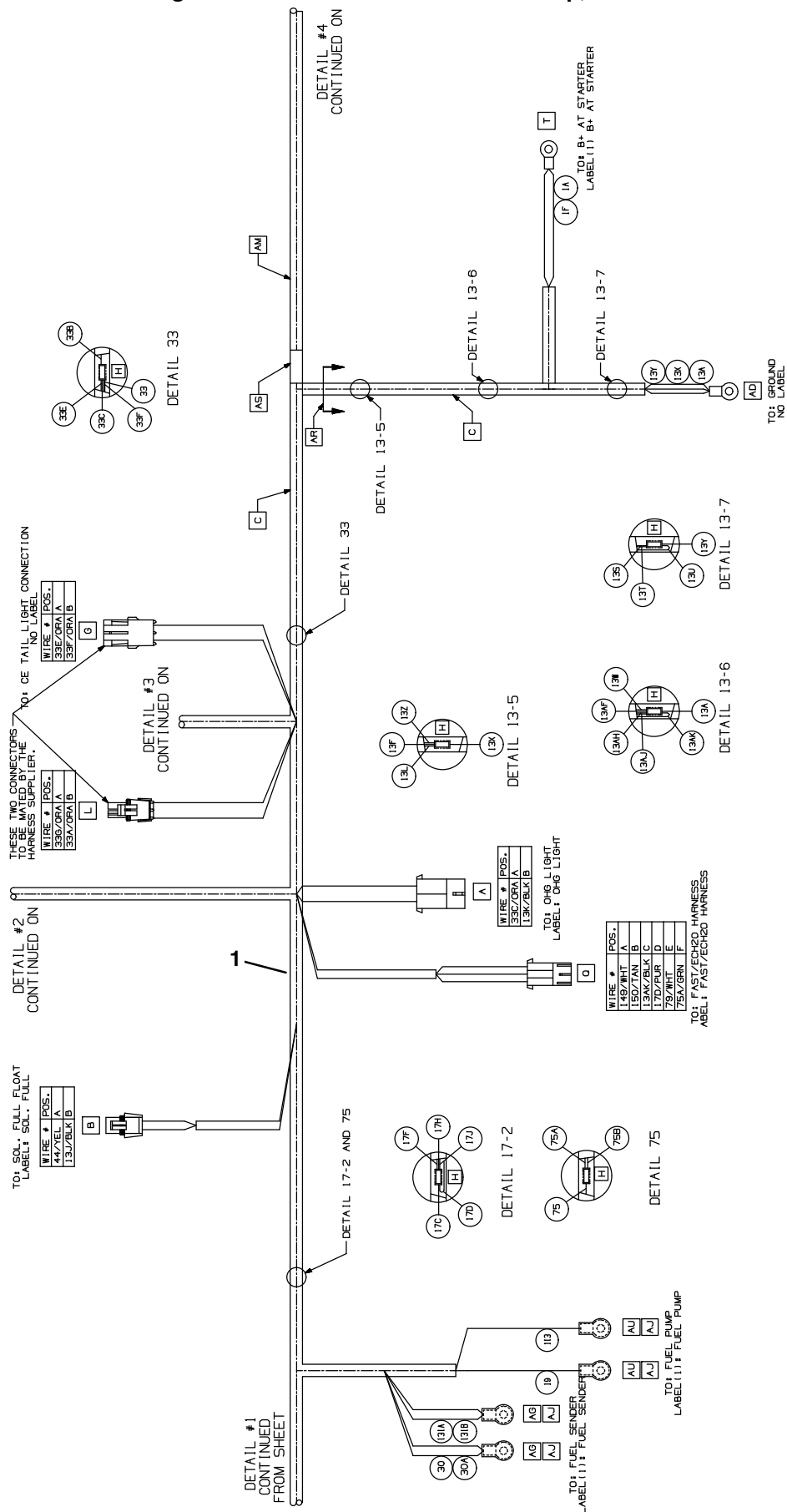
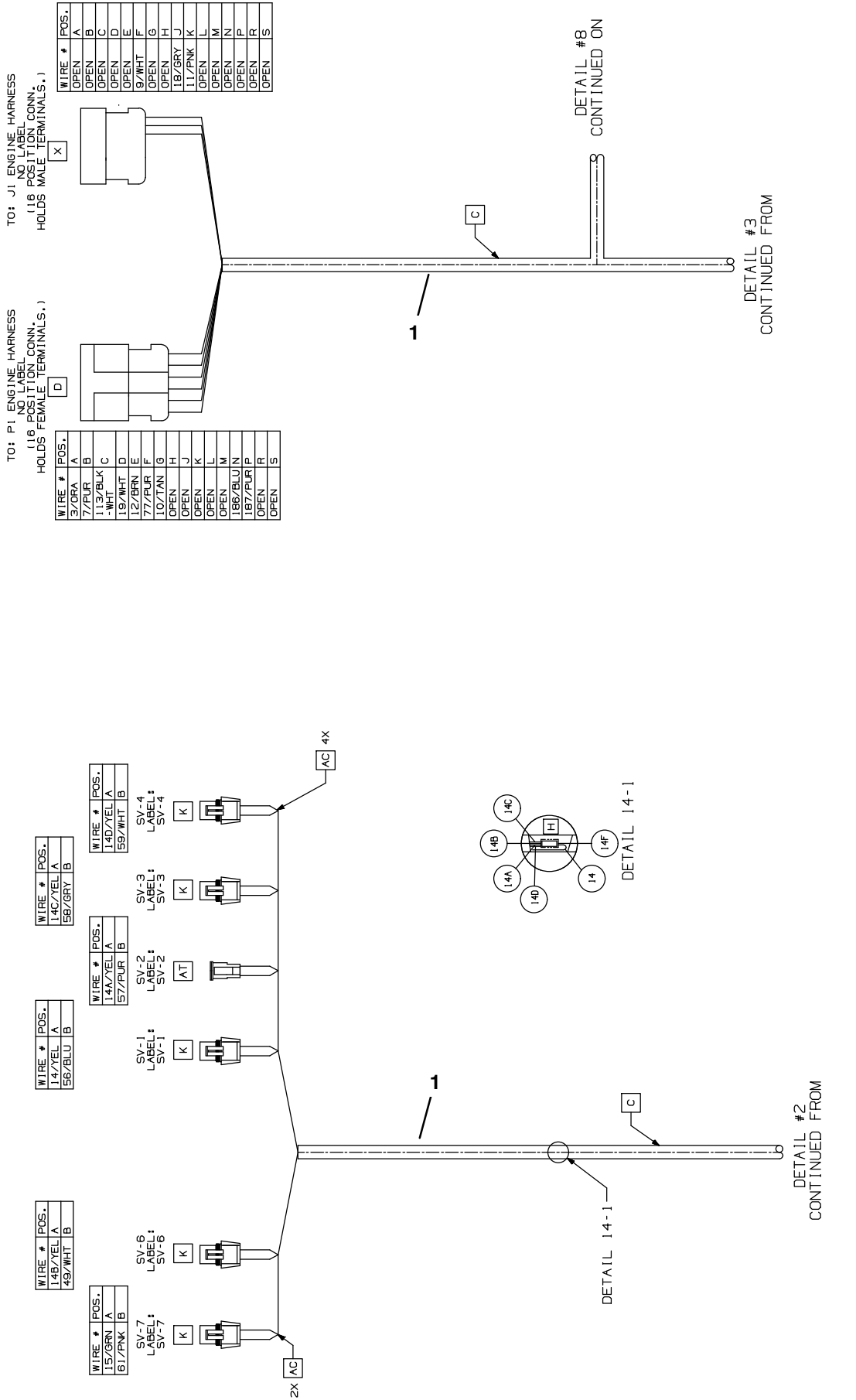


Fig. 64 - Electrical Wire Harness Group, Main



## Fig. 64 - Electrical Wire Harness Group, Main







## Fig. 64 – Electrical Wire Harness Group, Main

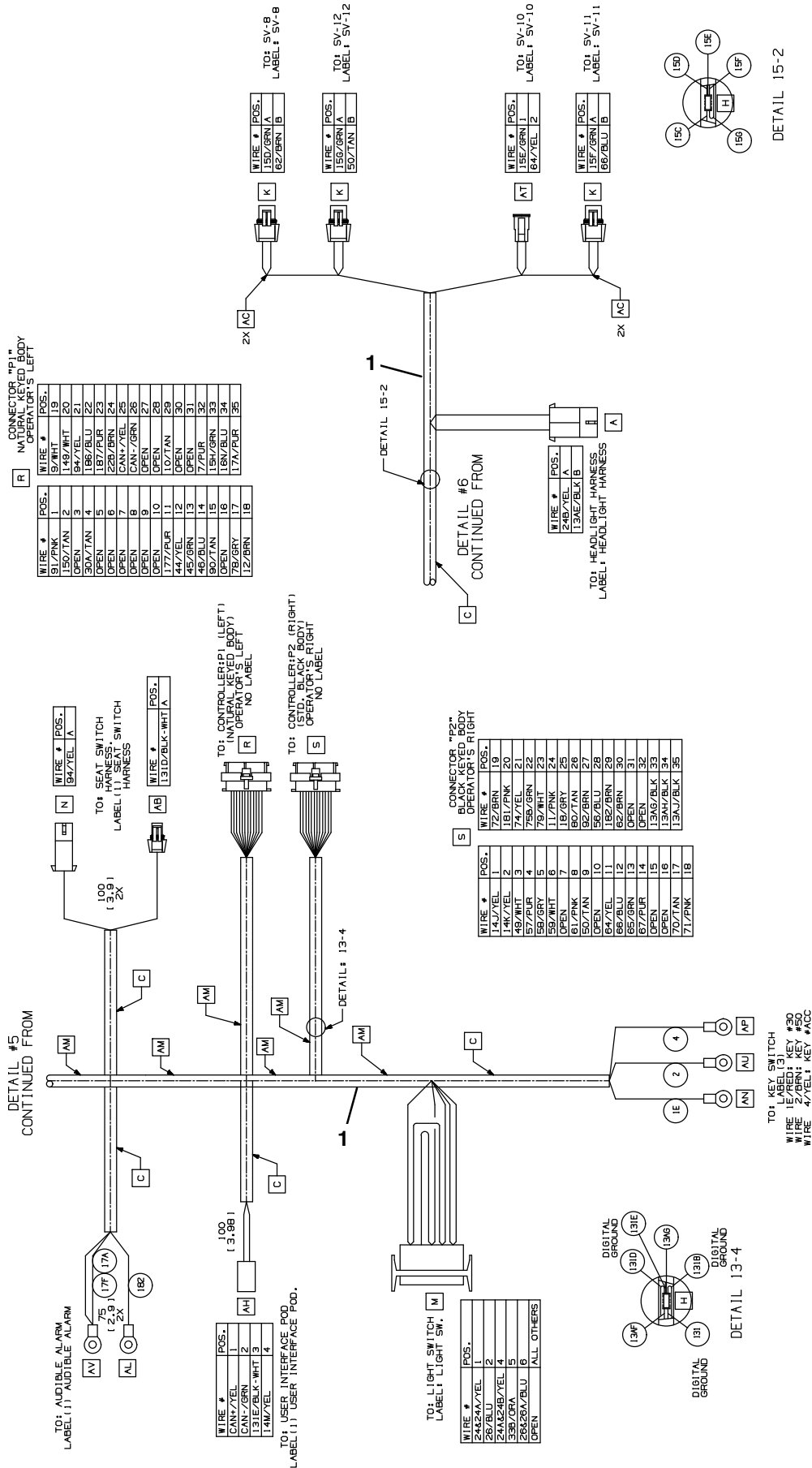
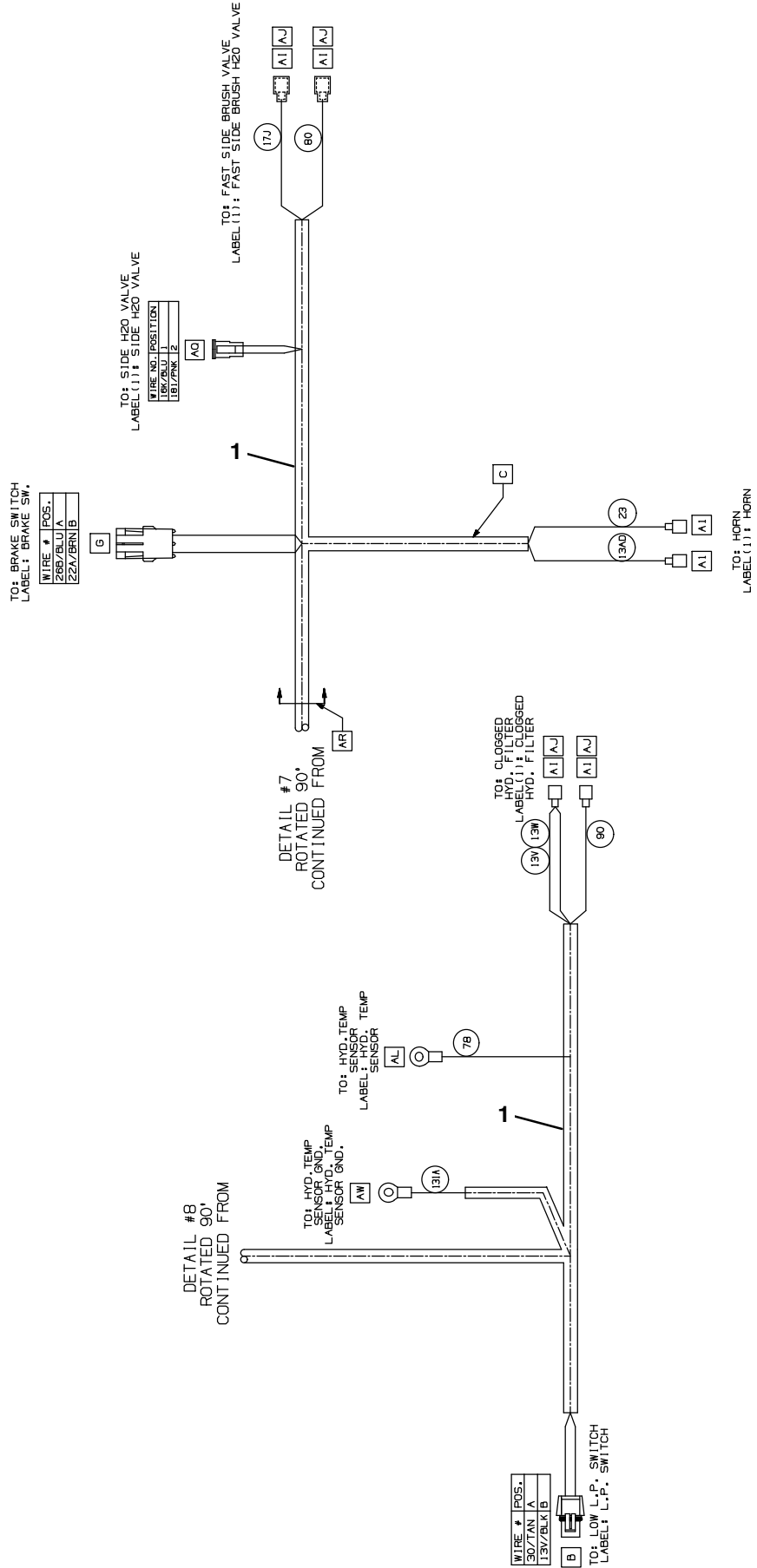
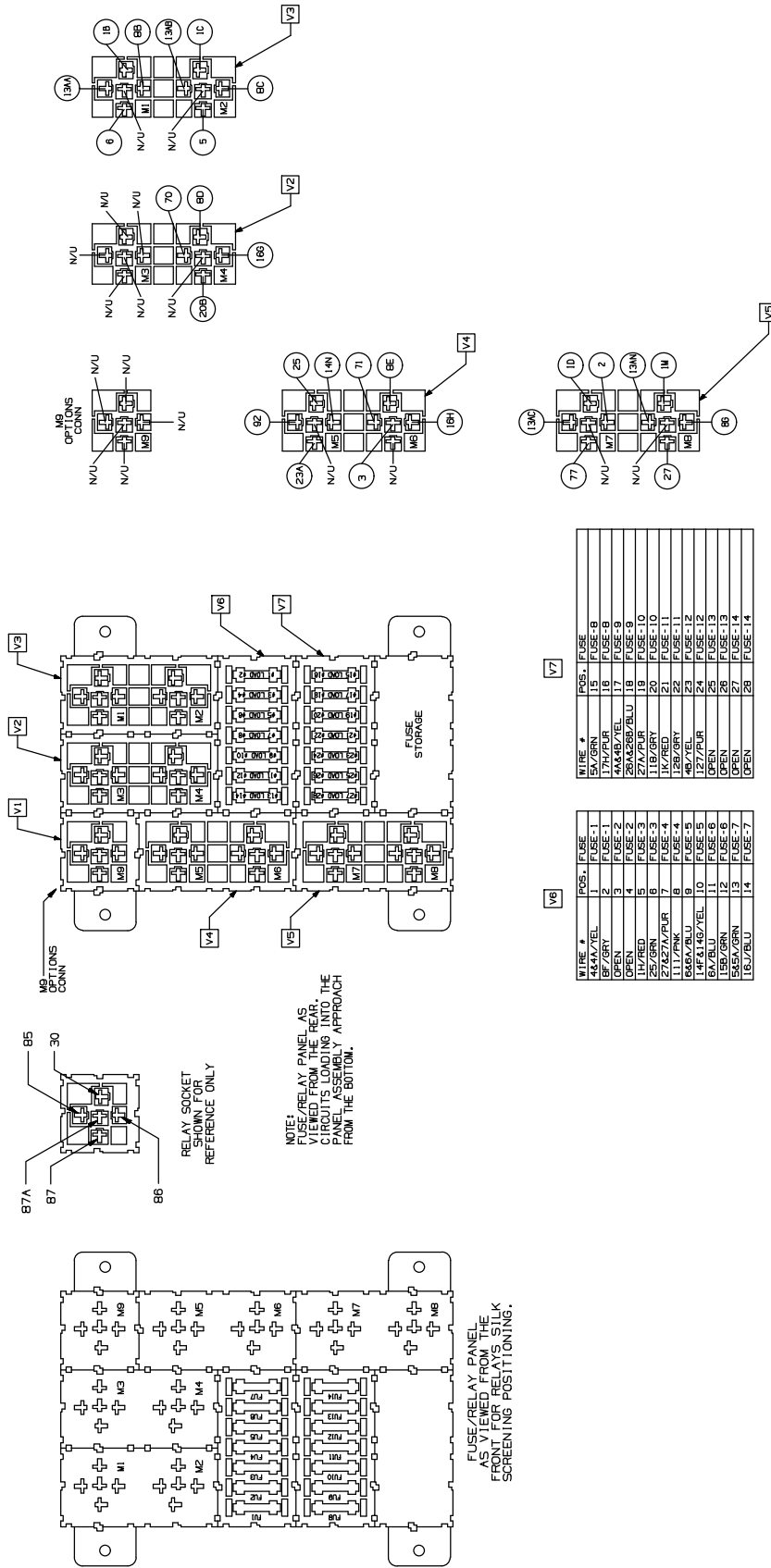


Fig. 64 - Electrical Wire Harness Group, Main



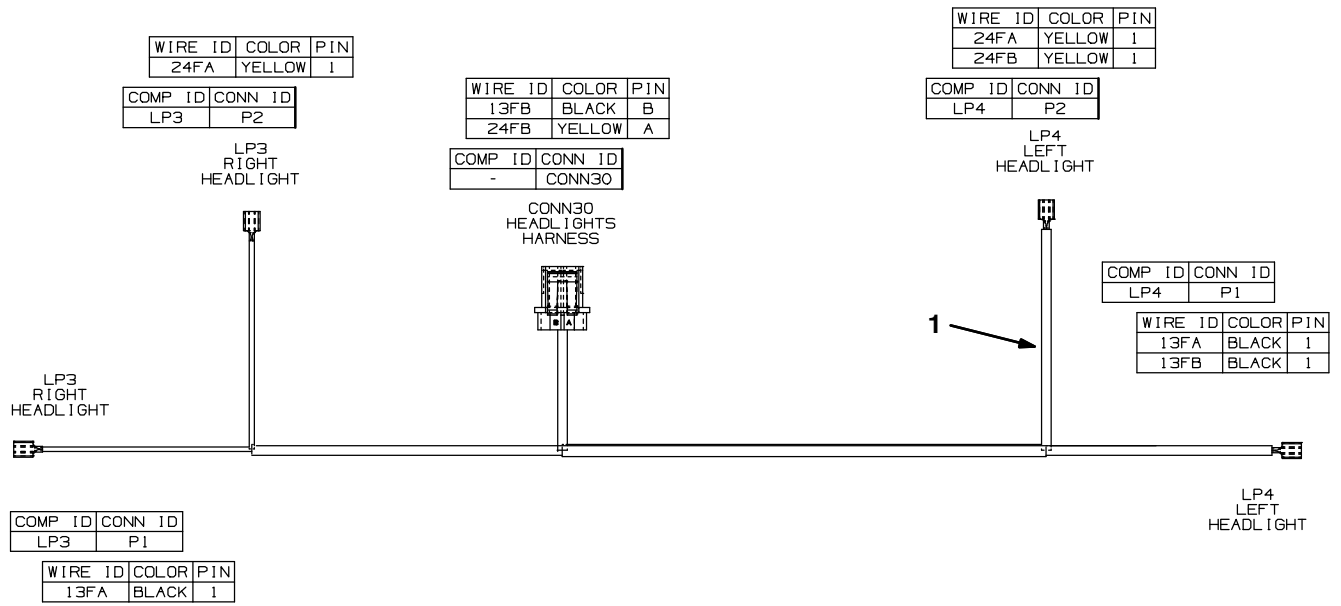
## Fig. 64 - Electrical Wire Harness Group, Main



356685 - T20

Ref.	Part No.	Serial Number	Description	Qty.
1	1075120	(008000-	) Harness, Main [T20]	1

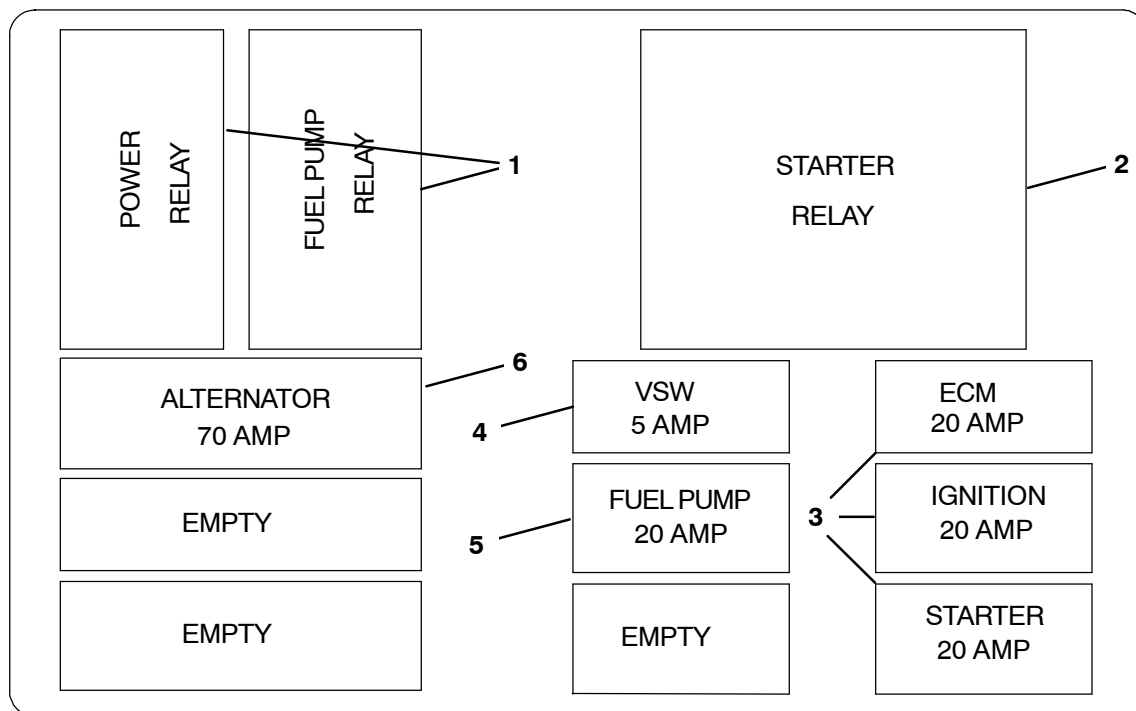
Fig. 65 – Electrical Wire Harness Group, Headlight



Ref.	Part No.	Serial Number	Description	Qty.
1	1024141	(008000-	) Harness, Headlight [M20 And T20]	1

# STANDARD PARTS

Fig. 66 – Electrical Wire Harness Group, Gasoline/LPG Engine



356696 – G/LP

Ref.	Part No.	Serial Number	Description	Qty.
▽	1071653	(008000–	) Harness, Wire, Eng, Gas [Mit, 2.0]	1
▲	1 394916	(008000–	) Relay, 12vdc, 20a, Spdt	2
▲	2 57804	(008000–	) Relay, 12vdc, 40a, Spdt	1
▲	3 372237	(008000–	) Fuse, 20 Amp, [Min–20]	3
▲	4 372235	(008000–	) Fuse, 5 Amp, [Min–5]	1
▲	5 384999	(008000–	) Fuse, 10 Amp	1
▽	1071654	(008000–	) Harness, Wire, Eng, Lpg [Mit, 2.0]	1
▲	1 394916	(008000–	) Relay, 12vdc, 20a, Spdt	2
▲	2 57804	(008000–	) Relay, 12vdc, 40a, Spdt	1
▲	3 372237	(008000–	) Fuse, 20 Amp, [Min–20]	3
▲	4 372235	(008000–	) Fuse, 5 Amp, [Min–5]	1
▲	5 384999	(008000–	) Fuse, 10 Amp	1
▲	6 1076351	(008000–	) Fuse, Blade, 070a, 32vdc [Maxi]	1

Fig. 67 – Label Group

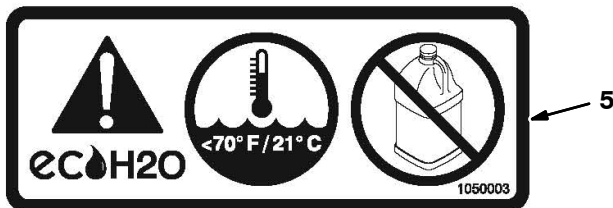
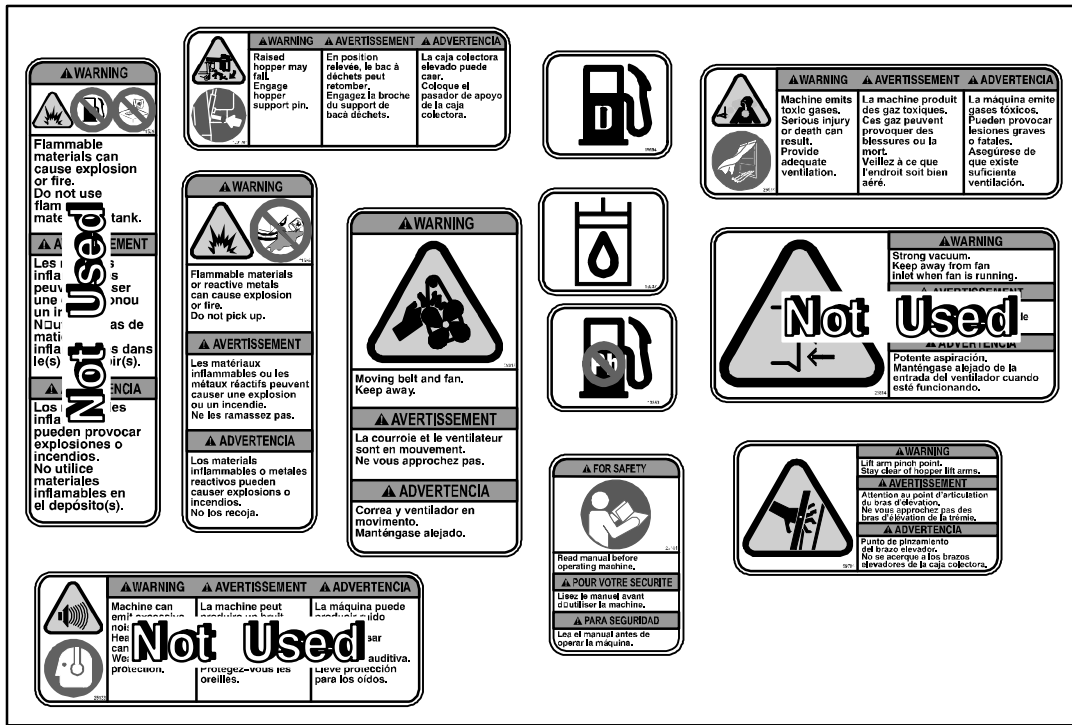
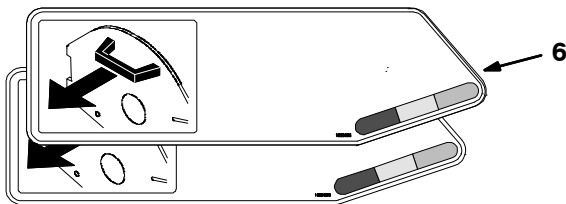
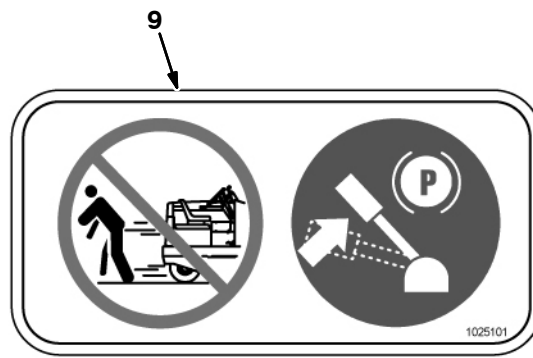
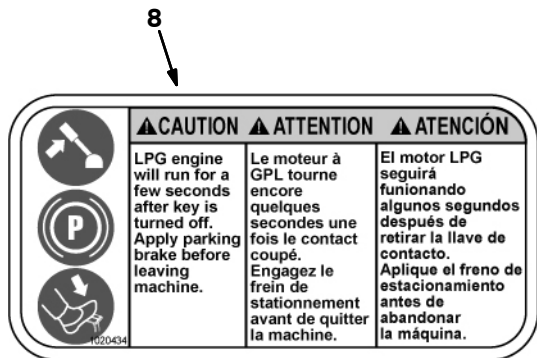


Fig. 67 – Label Group



T20 – G/LP

Ref.	Part No.	Serial Number	Description	Qty.
1	77221	(008000– )	Label Set, Info/Hzrd, Swpr / Scrbr	1
2	1017141	(008000– )	Label Set, Hi Temp	1
3	1065343	(008000– )	Label, Logo, 05.75L 2Color [ES]	3
4	1065342	(008000– )	Label, Logo, 07.95L 2Color [FaST]	3
5	1050003	(008000– )	Label [User, Attention, ec-H2O]	2
6	1031017	(008000– )	Label Set, Brush Indicator & Removal	1
7	1032450	(008000– )	Label Set, Info/Hzrd, Swpr / Scrbr, Tj (Japan Only)	1
8	1020434	(008000– )	Label, Caution [Apply Parking Brake]	1
9	1025101	(008000– )	Label, Caution [Apply Parking Brake] (Japan Only)	1
10	1064661	(008000– )	Label, Model, 2Color [T20]	2
11	1062813	(008000– )	Label, Logo, 12.3L 4Color [ec-H2O]	1
12	1064440	(008000– )	Label, Logo, 16.9L 4Color [ec-H2O]	1

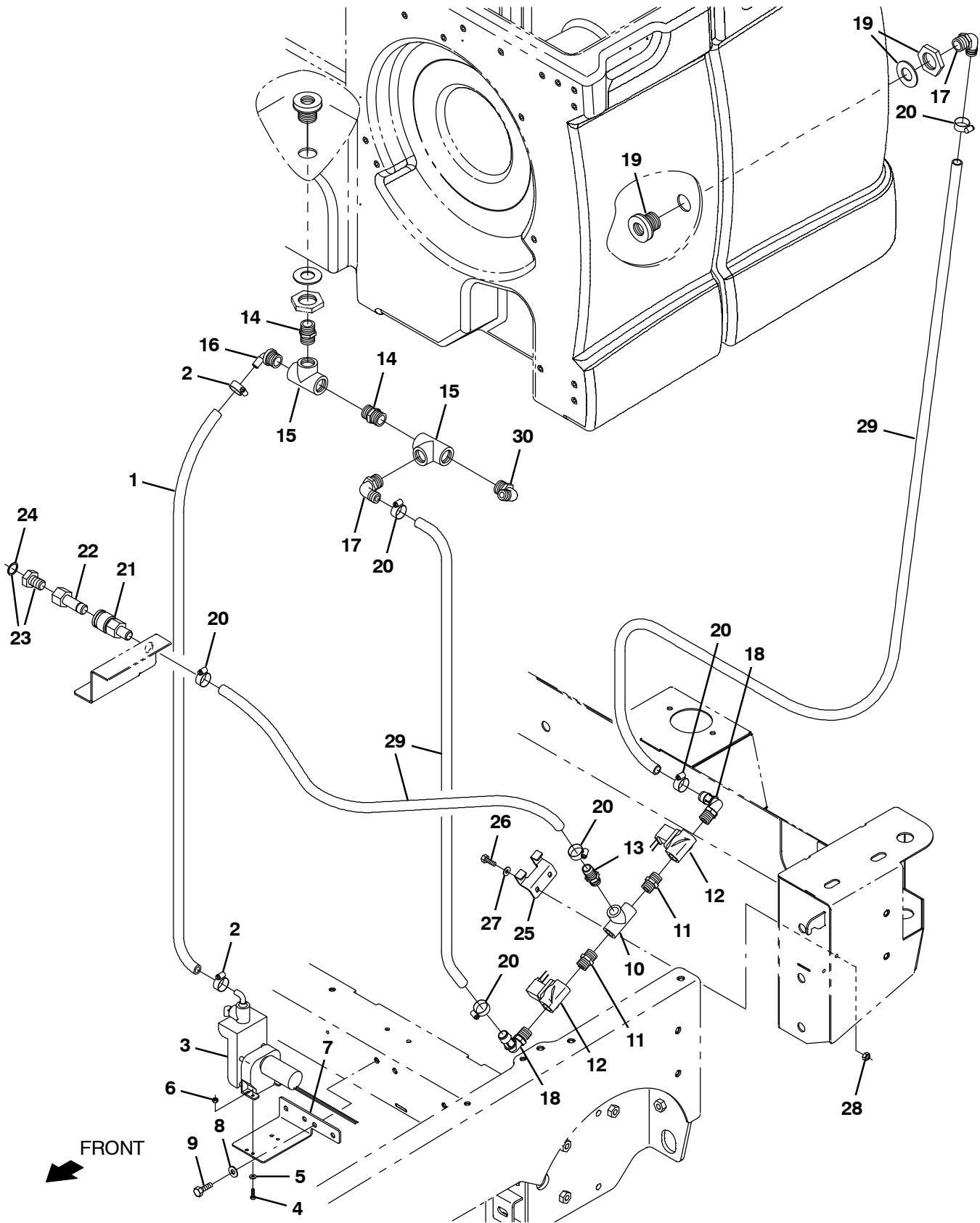


# SECTION 3

Contents	Page
Fig. 1 – ES Pump Group	3-2
Fig. 2 – ES Tanks Group	3-4
Fig. 3 – Side Brush Motor Group	3-6
Fig. 4 – Side Brush Lift Group	3-8
Fig. 5 – Side Brush Solution Control Group	3-10
Fig. 6 – Side Brush Hydraulic Valve Group	3-12
Fig. 7 – Side Brush Hydraulic Hose Group	3-14
Fig. 8 – FaST Pumps and Detergent Group	3-16
Fig. 9 – FaST Solution Supply Group, Cylindrical Scrub Head	3-18
Fig. 10 – FaST Solution Supply Group with Side Brush, Cylindrical Scrub Head	3-20
Fig. 11 – FaST Solution Supply Group, Disk Scrub Head	3-22
Fig. 12 – FaST Solution Supply Group with Side Brush, Disk Scrub Head	3-24
Fig. 13 – FaST Wire Harness Group	3-26
Fig. 14 – ec-H2O Solution Pump Group	3-28
Fig. 15 – ec-H2O Solution Pump Supply Group	3-30
Fig. 16 – ec-H2O Solution Supply Group, Cylindrical Scrub Head	3-32
Fig. 17 – ec-H2O Solution Supply Group, Cylindrical Scrub Head with Side Brush	3-34
Fig. 18 – ec-H2O Solution Supply Group, Disk Scrub Head	3-36
Fig. 19 – ec-H2O Solution Supply Group, Disk Scrub Head with Side Brush	3-38
Fig. 20 – ec-H2O Wire Harnesses Group	3-40
Fig. 21 – Backup Alarm Kit	3-43
Fig. 22 – Light Kit, Flashing	3-44
Fig. 23 – Light Kit, Strobe	3-45
Fig. 24 – Light Kit, Flashing Overhead Guard	3-46
Fig. 25 – Light Kit, Strobe Overhead Guard	3-47
Fig. 26 – Overhead Guard Kit	3-48
Fig. 27 – Telemetry Group	3-50
Fig. 28 – Vacuum Wand Kit	3-52
Fig. 29 – Power Wand Hose Assembly	3-54
Fig. 30 – Power Wand Assembly	3-56
Fig. 31 – Power Wand Pump and Mount Group	3-58
Fig. 32 – Power Wand Pump and Mount Group with Spray Nozzle	3-60
Fig. 33 – Spray Nozzle Kit	3-62
Fig. 34 – Spray Nozzle Kit with Power Wand	3-64
Fig. 35 – Transport Kit	3-66
Fig. 36 – Squeegee Guard Kit	3-68
Fig. 37 – Pressure Washer Mount Group	3-70
Fig. 38 – Pressure Washer Solution Group	3-72
Fig. 39 – Pressure Washer Hydraulic Hoses Group	3-74
Fig. 40 – Heavy Duty Bumper Kit	3-76
Fig. 41 – Fire Extinguisher Kit	3-77
Fig. 42 – Rear Squeegee Guard Group	3-78
Fig. 43 – Front Cover Latch Group	3-80

Contents	Page
Fig. 45 – Frame Tie Down and Tow Group	3-82
Fig. 46 – Documentation Group (Online Only)	3-84

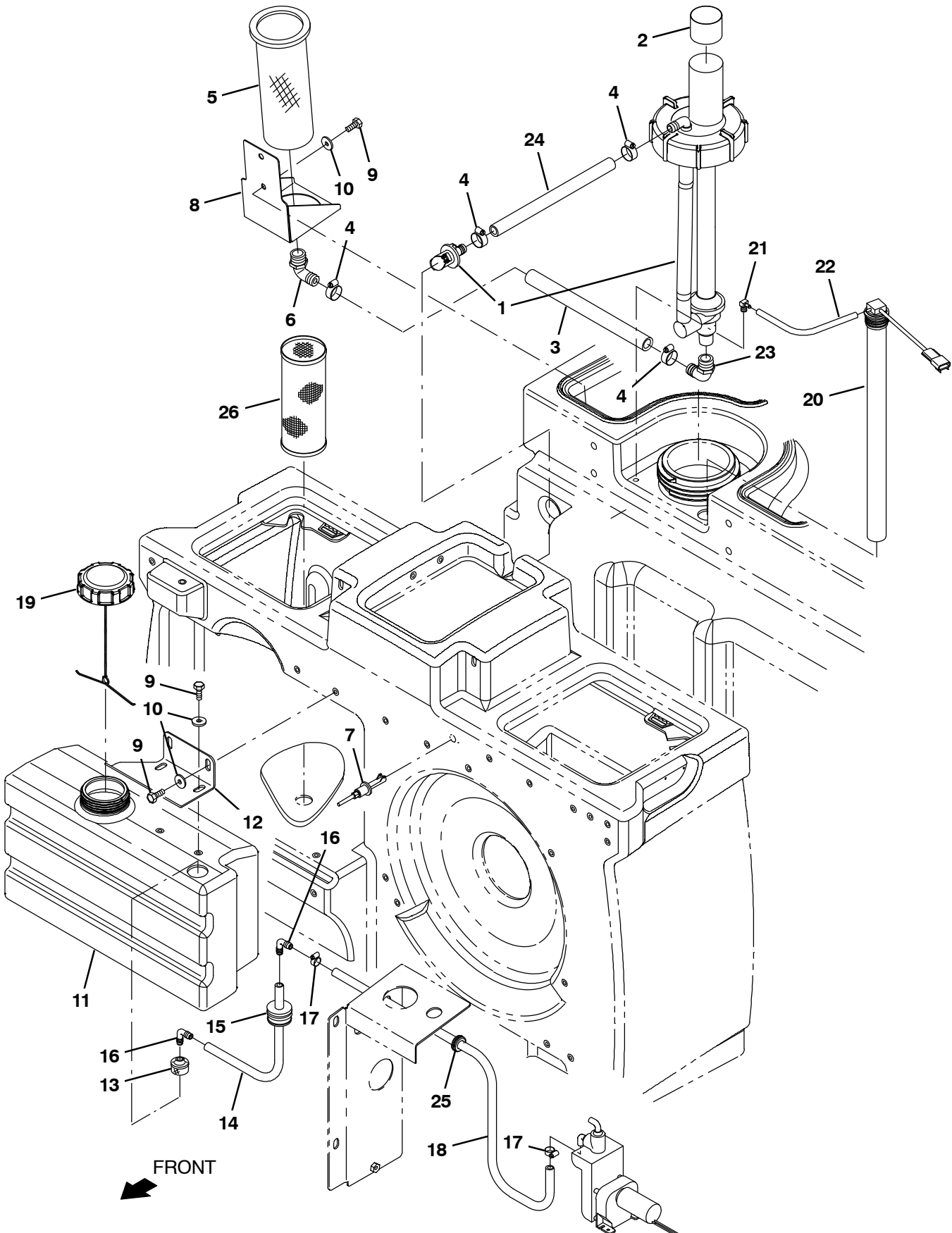
Fig. 1 - ES Pump Group



**Fig. 1 - ES Pump Group**

<b>Ref.</b>	<b>Part No.</b>	<b>Serial Number</b>	<b>Description</b>	<b>Qty.</b>	
1	41295	(008000-	) Hose, Pvc, Clr, 0.38id 0.56od 48.00l	1	
2	43844	(008000-	) Clamp, Hose, Wormdrive, 0.25-0.62d, .31w	2	
3	73260	(008000-	) Pump, Detgt, 14vdc, 150ml/Min 20psi (See Breakdowns)	1	
4	24265	(008000-	) Screw, Pan, M4 X 0.7 X 16, Ss	2	
5	01683	(008000-	) Washer, Flat, #10, Ss	2	
6	33932	(008000-	) Nut, Hex, Lock, M4 X 0.7, NI, Ss	2	
7	1021325	(008000-	) Bracket, Mtg, Valve	1	
8	01685	(008000-	) Washer, Flat, 0.31, Ss	2	
9	09740	(008000-	) Screw, Hex, M8 X 1.25 X 20, Ss	2	
10	79497	(008000-	) Fitting, Plstc, Tee, Pf08/Pf08/Pf08	1	
11	86508	(008000-	) Fitting, Plstc, Str, Pm08/Pm08	2	
12	73433	(008000-	) Valve, Water, Solenoid, 12vdc 0.08pf	2	
13	78398	(008000-	) Fitting, Plstc, Str, Bm12/Pm08, Nyl	1	
14	24544	(008000-	) Fitting, Plstc, Str, Pm12/Pm12 1.60l	2	
15	42133A	(008000-	) Fitting, Plstc, Tee, Pf12/Pf12/Pf12	2	
16	79484	(008000-	) Fitting, Plstc, E90, Bm06/Pm12, Nyl	1	
17	14877	(008000-	) Fitting, Plstc, E90, Bm12/Pm12	2	
18	63244-2	(008000-	) Fitting, Plstc, E90, Bm12/Pm08	2	
19	377349	(008000-	) Fitting, Plstc, Pf12/Pf12, Bh	1	
20	63810	(008000-	) Clamp, Hose, Wormdrive, 0.56-1.06d, .56w	6	
21	24105	(008000-	) Fitting, Brs, Qdc, Bm12/Qf08	1	
22	33295	(008000-	) Fitting, Brs, Qdc, Pf08 [Parker Bh3f]	1	
▽	23	375322	(008000-	) Fitting Kit, Hose, Garden	1
▲	24	01316	(008000-	) Washer, Flat, 0.66b 1.00d .12, Rbr	1
	25	1016837	(008000-	) Bracket, Mtg, Valve	1
26	08716	(008000-	) Screw, Hex, M6 X 1.0 X 20, Ss	2	
27	01684	(008000-	) Washer, Flat, 0.25, Ss	2	
28	08712	(008000-	) Nut, Hex, Lock, M6 X 1.00, Ss, NI	2	
29	1015044	(008000-	) Hose, Afmkt, Pvc, Brd 0.75id 12ft	1	
30	73468	(008000-	) Fitting, Plstc, E90, Bm10/Pm12	1	

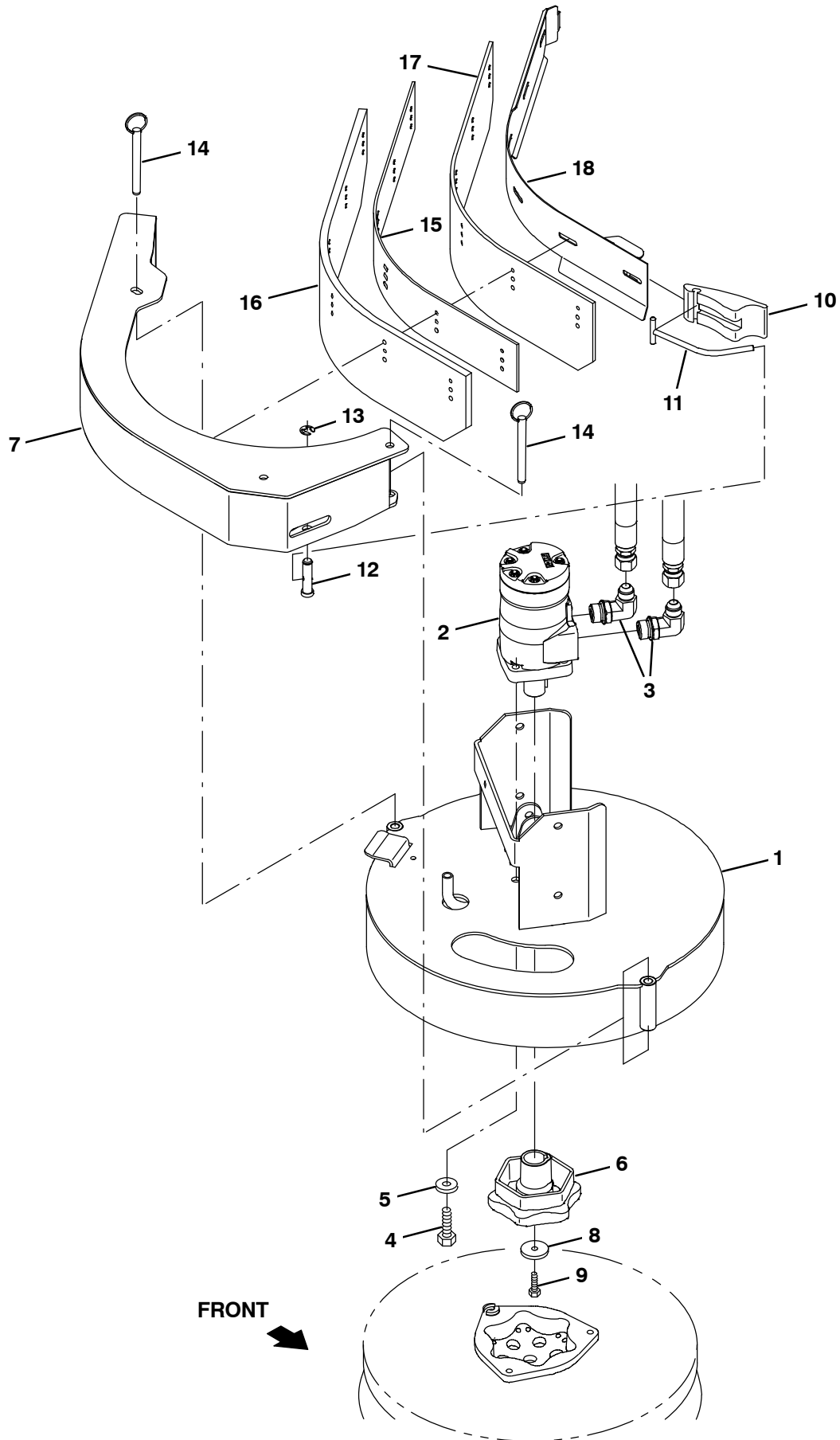
Fig. 2 - ES Tanks Group



**Fig. 2 – ES Tanks Group**

<b>Ref.</b>	<b>Part No.</b>	<b>Serial Number</b>	<b>Description</b>	<b>Qty.</b>
1	1021210	(008000–	) Pump Assy, Column, Es (See Breakdowns)	1
2	1028697	(008000–	) Sleeve, Rbr, 3.50b 3.58d 1.8l	1
3	1015048	(008000–	) Hose, Afmkt, Pvc, Brd 0.75id 01ft	1
4	63810	(008000–	) Clamp, Hose, Wormdrive, 0.56–1.06d, .56w	4
5	386652	(008000–	) Strainer, Soltn, 20 Mesh, Cyl 3.5d 9.5l	1
6	24543	(008000–	) Fitting, Plstc, E90, Bm12/Pf12	1
7	385685	(008000–	) Sensor, Level, Liq, 14vdc 01a .62–11	1
8	1019636	(008000–	) Bracket, Mtg, Strainer	1
9	09740	(008000–	) Screw, Hex, M8 X 1.25 X 20, Ss	6
10	1017218	(008000–	) Washer, Flat, 0.32b 1.00d .12, Ss	6
11	1022229	(008000–	) Tank, Detgt, Trimmed	1
12	1025159	(008000–	) Bracket, Mtg, Detgt And Spray Wand	1
13	20952	(008000–	) Screen, Pump	1
14	1014974	(008000–	) Hose, Afmkt, Pvc, Brd 0.38id 02ft	1
15	20944	(008000–	) Grommet, Pye, 0.37id, F/1.5h, .13 Matl	1
16	20951	(008000–	) Fitting, Plstc, E90, Bm06/Bm06	2
17	43844	(008000–	) Clamp, Hose, Wormdrive, 0.25–0.62d, .31w	2
18	41295	(008000–	) Hose, Pvc, Clr, 0.38id 0.56od 48.00l	1
19	1011885	(008000–	) Cap, Tank	1
20	1072877	(008000–	) Switch Assy, Press, 3.0, 17.5l Tube	1
21	32183	(008000–	) Fitting, Brs, E90, Pm02/Bm03	1
22	1031572	(008000–	) Hose, Afmkt, Vacuum, 0.16id, 01ft	1
23	14877	(008000–	) Fitting, Plstc, E90, Bm12/Pm12	1
24	1015033	(008000–	) Hose, Afmkt, Pvc, Brd 0.62ld, 01Ft, Clr	1
25	10632–2	(008000–	) Grommet, Rbr, 0.62id, F/0.9h, .12 Matl	1
26	1039019	(008000–	) Filter, Soltn, 020mesh, Pm12 3.2d 08.0l	1

Fig. 3 – Side Brush Motor Group



**Fig. 3 – Side Brush Motor Group**

<b>Ref.</b>	<b>Part No.</b>	<b>Serial Number</b>	<b>Description</b>	<b>Qty.</b>
	1	1047002	(008000– ) Bracket Wldt, Mtg, Side Brush Fixed	1
▽	2	1068812	(008000– ) Motor, Hyd, Gear, Int 08.9 Bi-Dir 2500	1
▲		22615	(008000– ) Seal Kit, Motor [CI]	1
	3	56821	(008000– ) Fitting, Hyd, E90, Jm08/Om10	2
	4	01762	(008000– ) Screw, Hex, .38–16 X 0.75, NI	4
	5	32492	(008000– ) Washer, Flat, 0.38 Std	4
	6	1042968	(008000– ) Hub, Drive, Brush, Disk, 1.00b [6t]	1
	7	1046976	(008000– ) Bumper Wldt, Brush, Side	1
	8	19191	(008000– ) Spacer	1
	9	25046	(008000– ) Screw, Hex, .25–20 X 1.00, 5	1
	10	1222020	(008000– ) Cam, Front, Yel	1
	11	386298	(008000– ) Pin Wldt, Front	1
	12	21603	(008000– ) Pin, Grvd, 0.43d 01.8l [303ss]	1
	13	24555	(008000– ) Ring, Retaining, Ext, 0.38d, [E-Ring]	1
	14	369359	(008000– ) Pin, Hitch, .375d X 3.12l, PI	2
	15	1046995	(008000– ) Spacer, Sqge, Side Brush	1
	16	1046980	(008000– ) Blade, Sqge, Side Brush, Linatex	1
	16	1059091	(008000– ) Blade, Sqge, Side Brush, Urethane	1
	17	1047238	(008000– ) Blade, Sqge, Side Brush, Linatex	1
	17	1059092	(008000– ) Blade, Sqge, Side Brush, Urethane	1
	18	1047060	(008000– ) Plate Wldt, Retainer, Sqge	1

Fig. 4 - Side Brush Lift Group

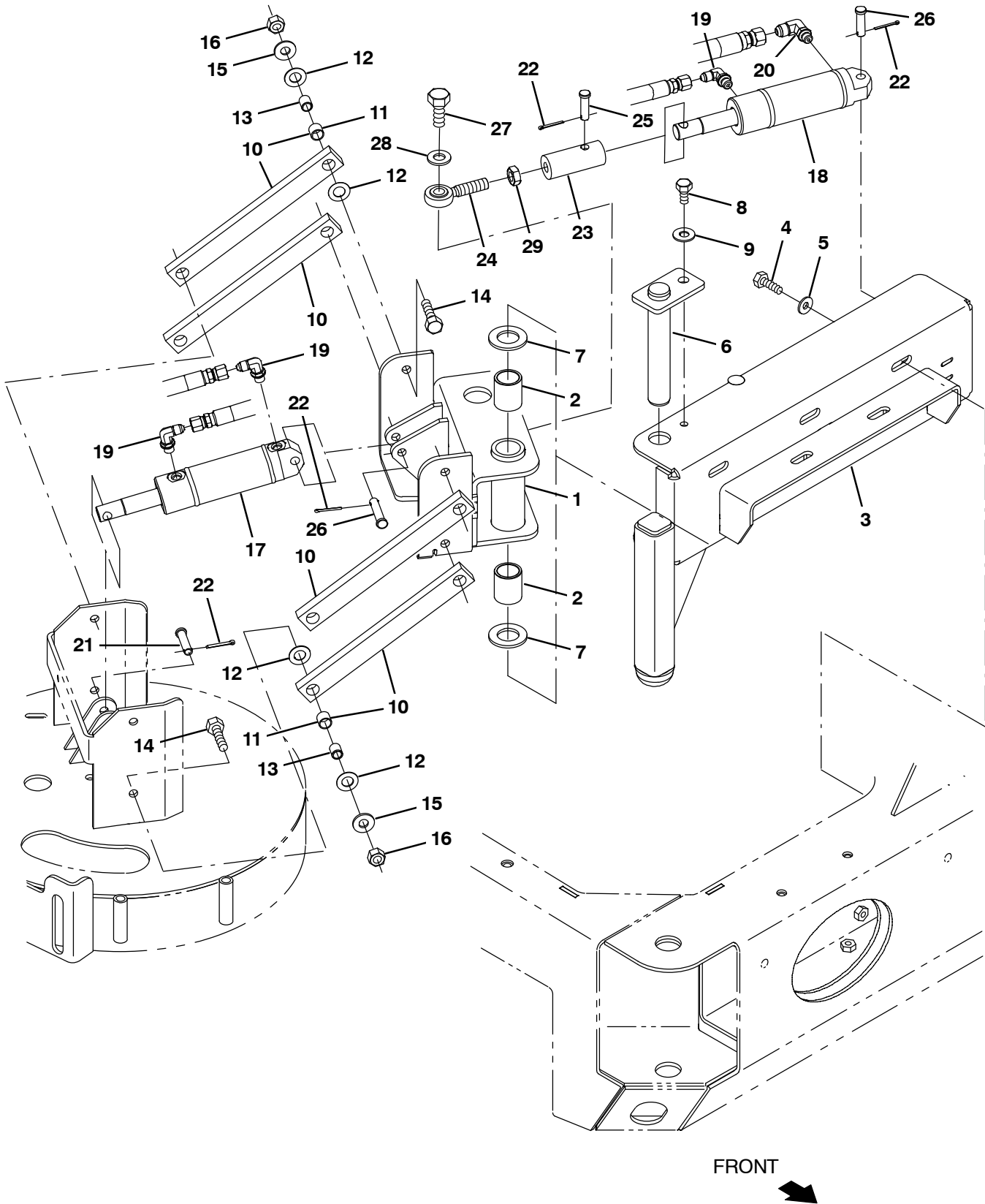
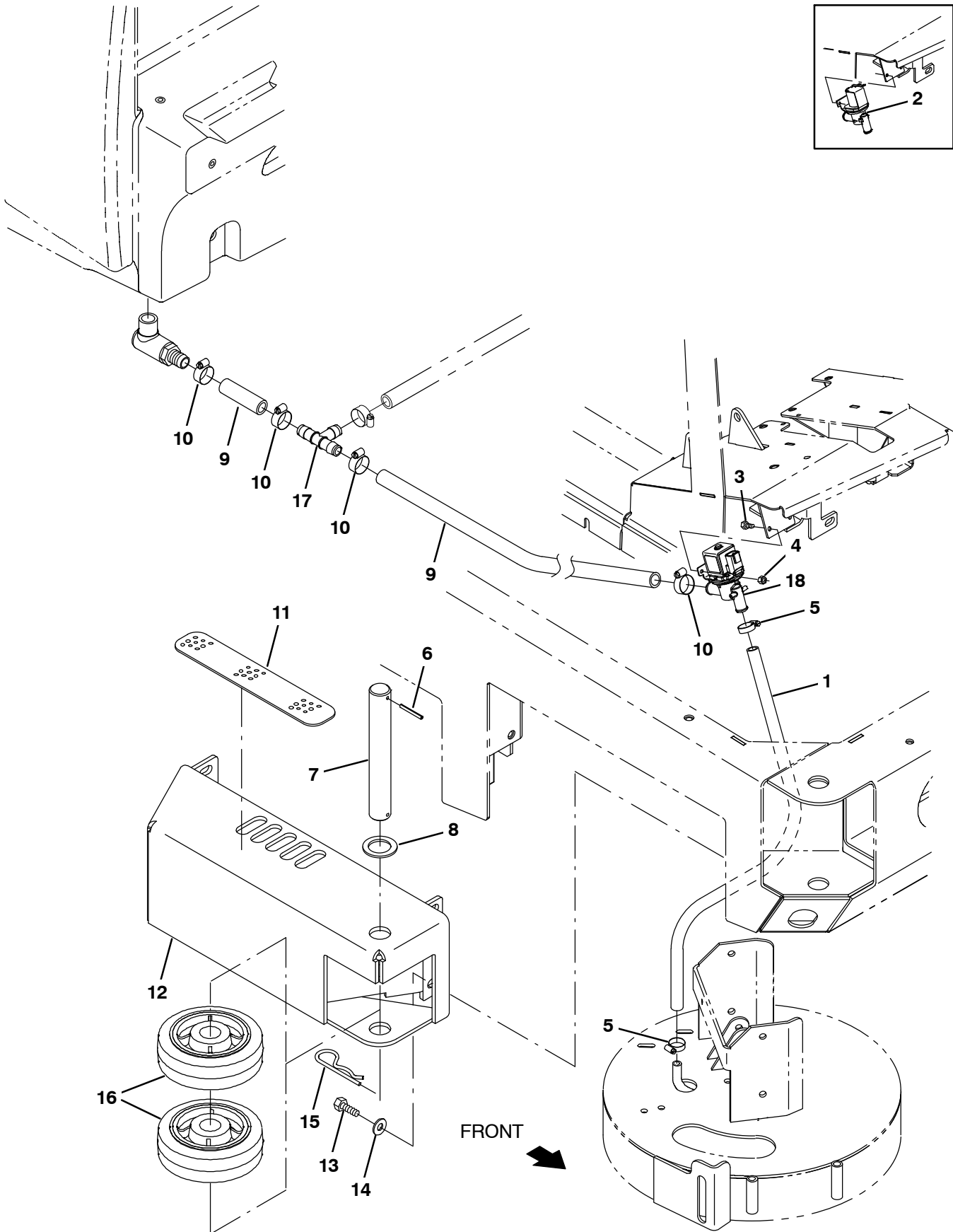




Fig. 4 – Side Brush Lift Group

Ref.	Part No.	Serial Number	Description	Qty.
1	1021439	(008000–	) Pivot Wldt, Brush, Side	1
2	71868	(008000–	) Bushing, Sleeve, 1.00b 1.13d 1.50l, Fgl	2
3	1021473	(008000–	) Channel Wldt, Pivot	1
4	09010	(008000–	) Screw, Hex, M8 X 1.25 X 25, Ss	5
5	41186	(008000–	) Washer, Flat, Belleville, .31	5
6	1021617	(008000–	) Pin Wldt	1
7	71869	(008000–	) Washer, Thrust, 1.00b 1.75d 0.13w, Fbr	2
8	16735	(008000–	) Screw, Hex, M8 X 1.25 X 16, 8.8	1
9	32491	(008000–	) Washer, Flat, 0.31, Std	1
▽	10	63175–1	(008000–) Arm, Link	4
▲	11	63233	(008000–) Bushing, Sleeve, 0.50b 0.59d 0.50l, Bnz	2
	12	59633	(008000–) Bearing, Thrust, 0.53b 1.00d 0.03w	16
	13	1027926	(008000–) Sleeve, P/M, 0.37b 0.50d 0.6l [430ss]	8
	14	36845	(008000–) Screw, Hex, .38–16 X 1.50, Ss	8
	15	01685	(008000–) Washer, Flat, 0.31, Ss	8
	16	59156	(008000–) Nut, Hex, Lock, .38–16, Ni, Ss	8
	17	1038137	(008000–) Cylinder, Hyd, 1.5b 07.8l 02.80strk 2500	1
	18	1038115	(008000–) Cylinder, Hyd, 1.5b 07.8l 02.75strk 2500	1
	19	77097	(008000–) Fitting, Hyd, E90, Jm04/Om04	3
	20	77098	(008000–) Fitting, Hyd, E90, Jm06/Om04	1
	21	29558	(008000–) Pin, Clevis, 0.37d X 1.50l	1
	22	08179	(008000–) Pin, Cotter, .094 X 1.00	4
	23	1021564	(008000–) Adapter, Rod–End, Side Brush	1
	24	71874	(008000–) Rod–End, .50–20rh Mal 0.50b	1
	25	29557	(008000–) Pin, Clevis, 0.37d X 1.31l	1
	26	17461	(008000–) Pin, Clevis, 0.37d X 1.75l	2
	27	41346	(008000–) Screw, Hex, M12 X 1.75 X 30, 8.8	1
	28	32486	(008000–) Washer, Flat, 0.50 Sae	1
	29	48985	(008000–) Nut, Hex, Jam, .50–20	1

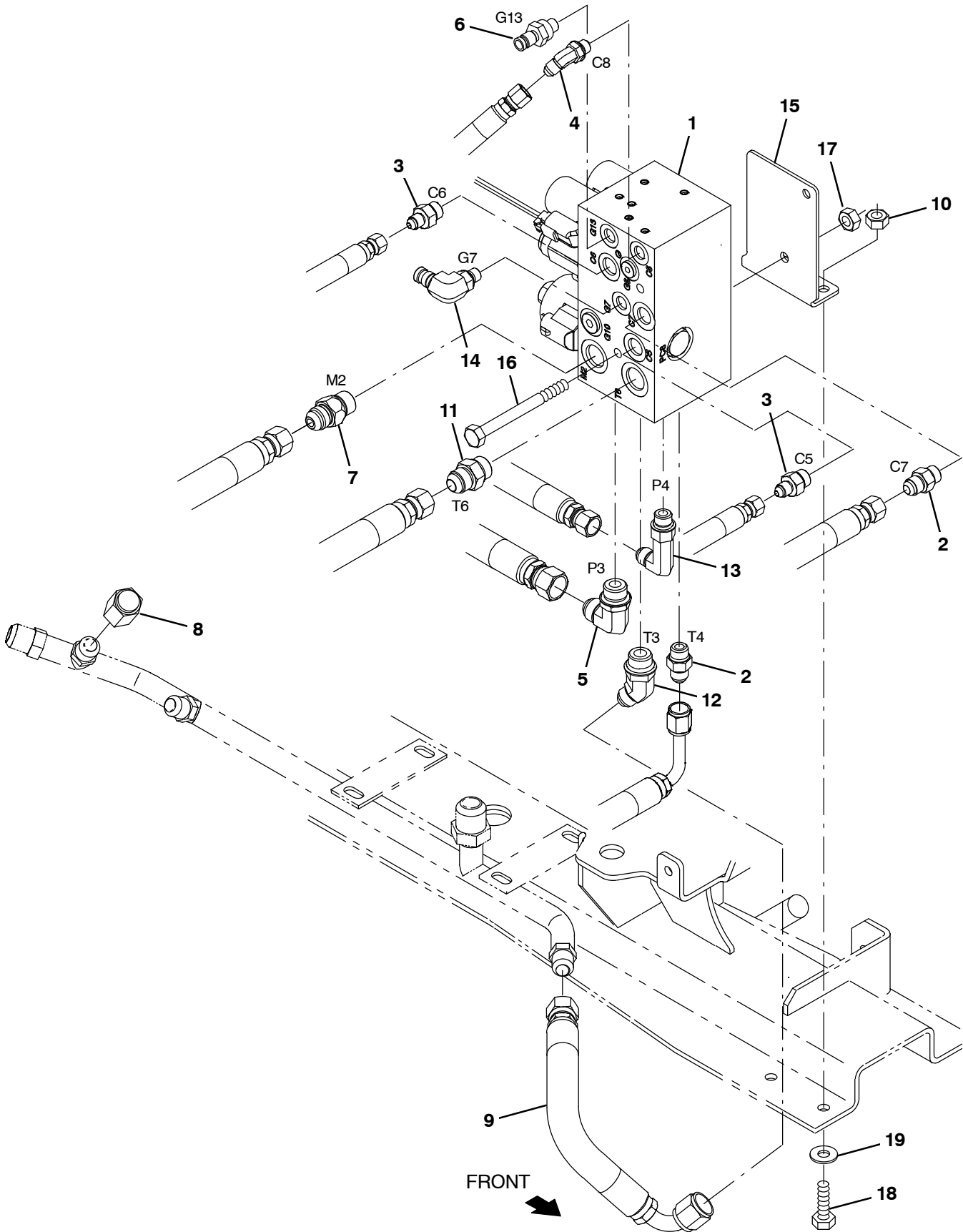
**Fig. 5 – Side Brush Solution Control Group**



**Fig. 5 – Side Brush Solution Control Group**

<b>Ref.</b>	<b>Part No.</b>	<b>Serial Number</b>	<b>Description</b>	<b>Qty.</b>
1	50178	(008000– )	Hose, Pvc, Clr, 0.50id 0.69od 26.00l	1
2	9016494	(008000–009613 )	Valve Kit, Replacement 12v St Flow	1
3	09738	(008000– )	Screw, Hex, M5 X 0.8 X 12, Ss	2
4	09739	(008000– )	Nut, Hex, Lock, M5 X 0.8, NI, Ss	2
5	54333	(008000– )	Clamp, Hose, Wormdrive, 0.31–0.88d, .31w	2
6	23146	(008000– )	Pin, Roll, .187d X 1.62l, .187/.192	1
7	1053838	(008000– )	Pin, 30mmd X 215mml	1
8	47719	(008000– )	Washer, Flat, 1.26b 1.88d .13, Stl	1
9	1015032	(008000– )	Hose, Afmkt, Pvc, Brd 0.62id 08ft	1
10	63810	(008000– )	Clamp, Hose, Wormdrive, 0.56–1.06d, .56w	4
11	82839	(008000– )	Tread, Non–Skid, 02.2w 11.5l	1
12	1022318	(008000– )	Guard Wldt, Brush, Side	1
13	12317	(008000– )	Screw, Hex, M10 X 1.5 X 30, Ss	4
14	01686	(008000– )	Washer, Flat, 0.44b 1.00d .08, Ss	4
15	34411	(008000– )	Pin, Cotter, Hair, 1.00d .178 Wir	1
16	1060130	(008000– )	Wheel, 06.0D 2.00W 1.19B, Gray Rbr	2
17	1062116	(008000– )	Fitting, Plstc, Tee, Bm10/Bm10/Bm10, Nyl	1
18	1075241	(009614– )	Valve Assy, Water, Solenoid, 12vdc	1

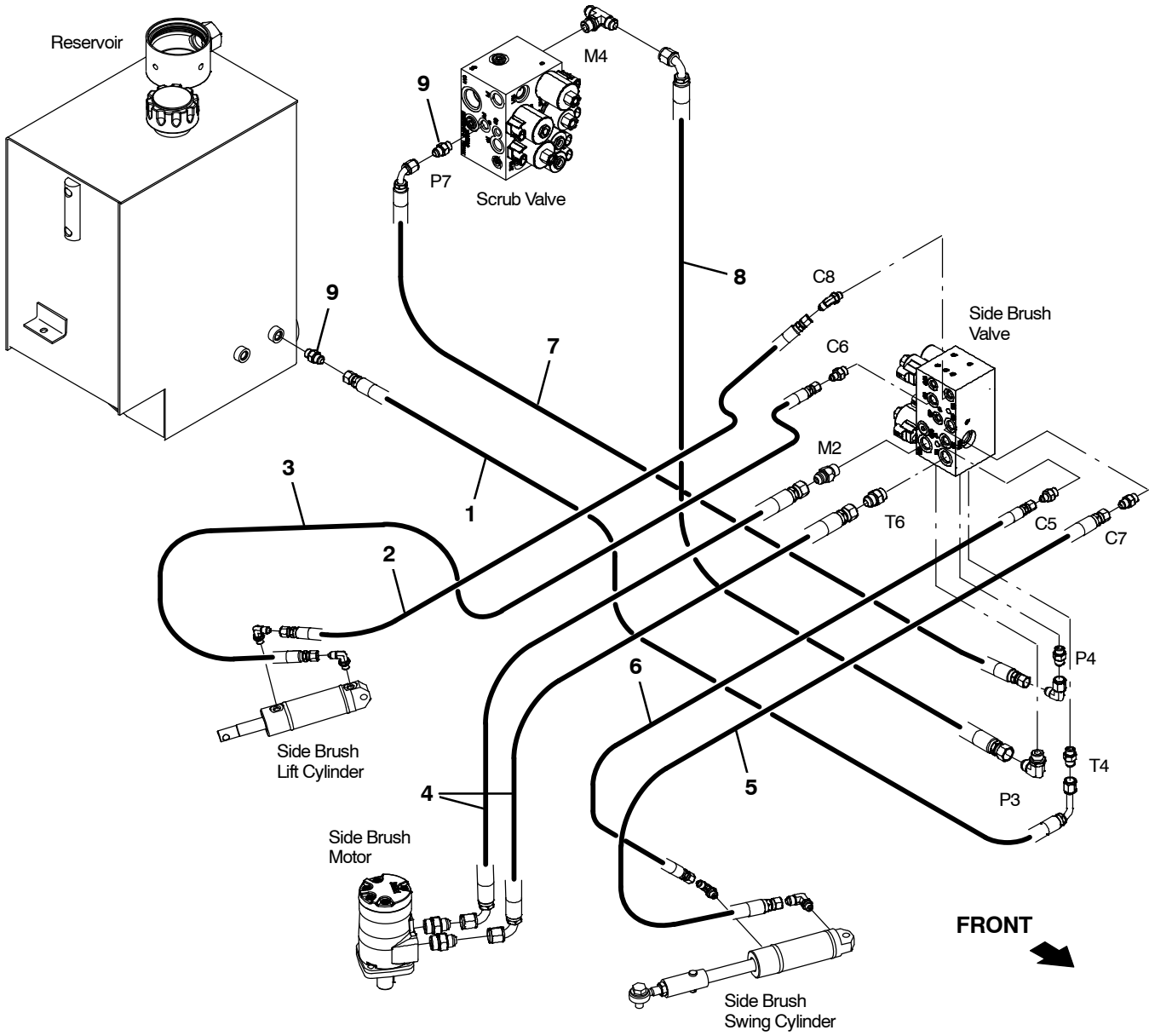
Fig. 6 – Side Brush Hydraulic Valve Group



**Fig. 6 – Side Brush Hydraulic Valve Group**

<b>Ref.</b>	<b>Part No.</b>	<b>Serial Number</b>	<b>Description</b>	<b>Qty.</b>
1	1072997	(008000–	) Valve, Cntrl, Hyd, Solenoid, 03/16gpm (See Breakdowns)	1
2	56690	(008000–	) Fitting, Hyd, Str, Jm06/Om06	2
3	55685	(008000–	) Fitting, Hyd, Str, Jm04/Om06	2
4	34359	(008000–	) Fitting, Hyd, E45, Jm04/Om04	1
5	44868	(008000–	) Fitting, Hyd, E90, Jm08/Om08	1
6	395973	(008000–	) Fitting, Hyd, Str, Om04/Qm04	1
7	1026119	(008000–	) Valve, Hyd, Check, Jm08/Om08 5000psi	1
8	60090	(008000–	) Fitting, Hyd, Cap, Jf08	1
9	1037011	(008000–	) Hose, Hyd, Tc08, Jf08str/Jf08e90, 012.0	1
10	08713	(008000–	) Nut, Hex, Lock, M8 X 1.25, NI, Ss	2
11	44869	(008000–	) Fitting, Hyd, Str, Jm08/Om08	1
12	42226	(008000–	) Fitting, Hyd, E45, Jm08/Om08	1
13	71727	(008000–	) Fitting, Hyd, E90, Jf06/Jm06, Long	1
14	395974	(008000–	) Fitting, Hyd, E90, Om04/Qm04	1
15	1045272	(008000–	) Bracket, Valve, Sba [M20 And T20]	1
16	364441	(008000–	) Screw, Hex, M8 X 1.25 X 110, Ss	2
17	08709	(008000–	) Nut, Hex, Lock, M8 X 1.25, NI	2
18	09010	(008000–	) Screw, Hex, M8 X 1.25 X 25, Ss	2
19	32491	(008000–	) Washer, Flat, 0.31, Std	2

Fig. 7 – Side Brush Hydraulic Hose Group



**Fig. 7 - Side Brush Hydraulic Hose Group**

<b>Ref.</b>	<b>Part No.</b>	<b>Serial Number</b>	<b>Description</b>	<b>Qty.</b>
1	361047	(008000-	) Hose, Hyd, Med06, Jf06e90l/Jf06str,038.0	1
2	1023485	(008000-	) Hose, Hyd, Tc06, Jf04str/Jf04str, 033.0	1
3	1025990	(008000-	) Hose, Hyd, Tc04, Jf04str /Jf04str, 39.0	1
4	1036965	(008000-	) Hose, Hyd, Tc08, Jf08Str/Jf08Str, 034.0	2
5	1025991	(008000-	) Hose, Hyd, Tc06, Jf06str /Jf06str, 23.0	1
6	1025992	(008000-	) Hose, Hyd, Tc04, Jf04str /Jf04str, 20.0	1
7	1036906	(008000-	) Hose, Hyd, Tc06, Jf06str /Jf06e90, 74.0	1
8	1028270	(008000-	) Hose, Hyd, Tc08, Jf08e90/Jf08str, 084.0	1
9	56690	(008000-	) Fitting, Hyd, Str, Jm06/Om06	2

**Fig. 8 - FaST Pumps and Detergent Group**

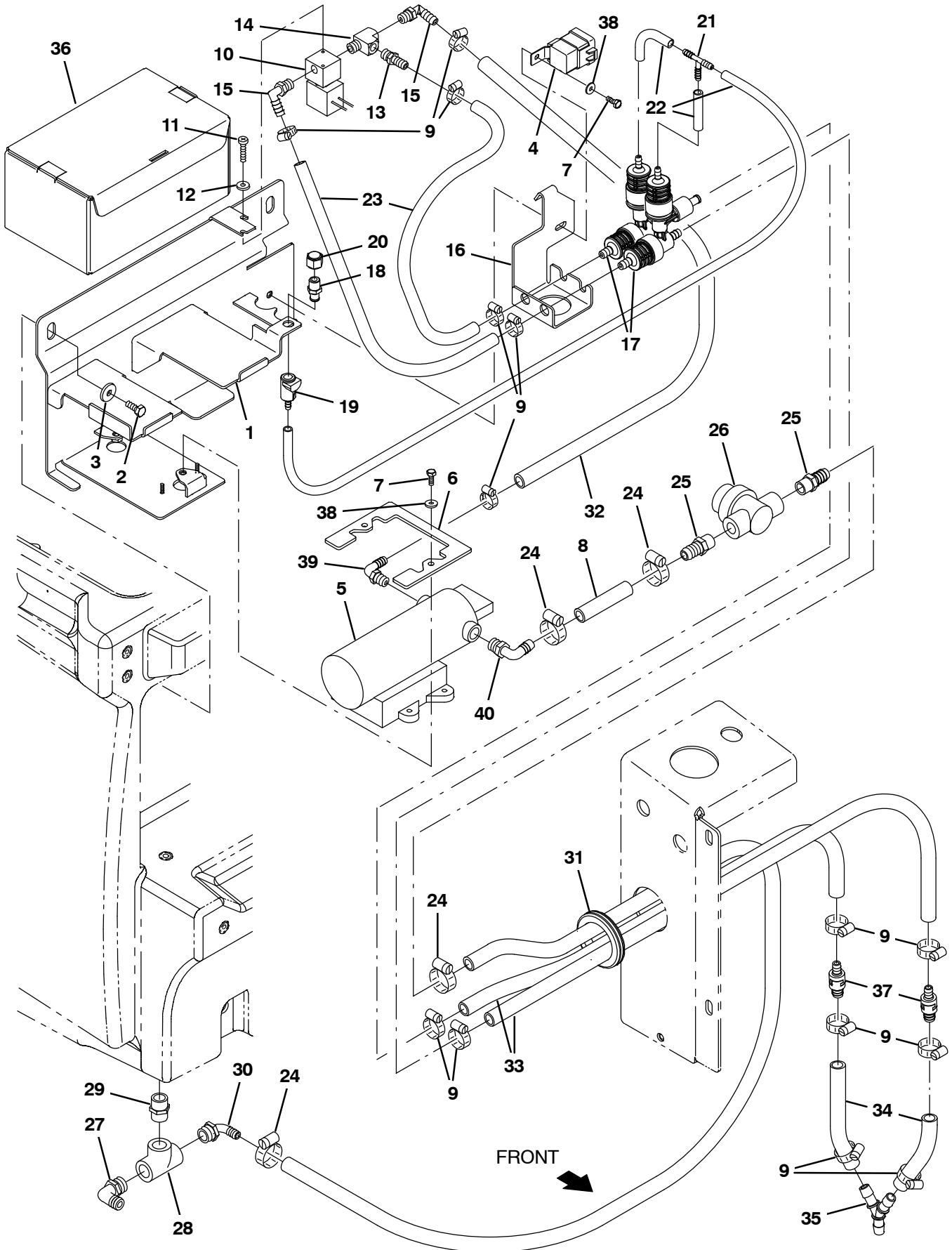
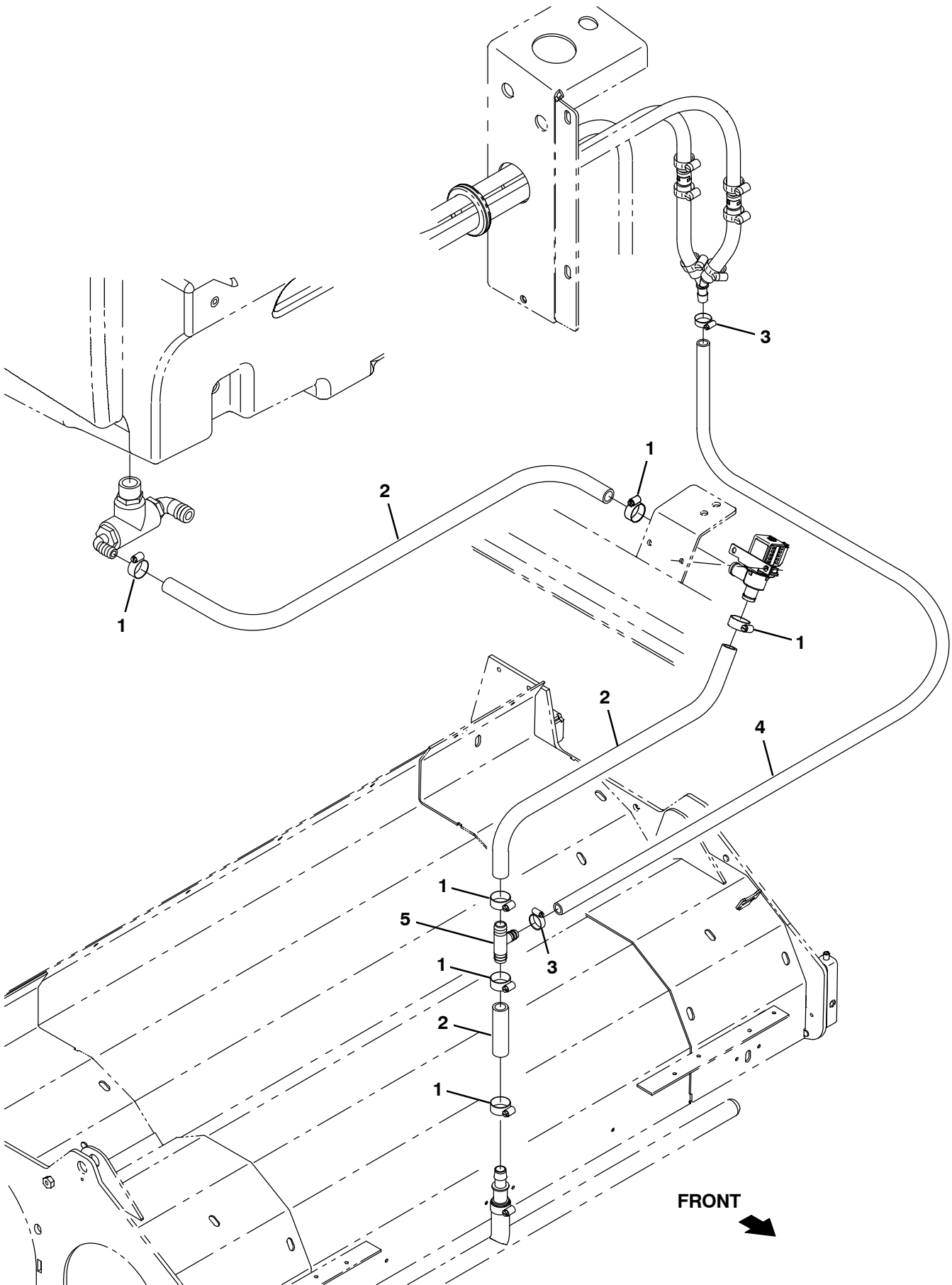




Fig. 8 – FaST Pumps and Detergent Group

Ref.	Part No.	Serial Number	Description	Qty.
1	1044342	(008000–	) Bracket Wldt, Mtg [FaST Gen 2+]	1
2	09740	(008000–	) Screw, Hex, M8 X 1.25 X 20, Ss	2
3	1017218	(008000–	) Washer, Flat, 0.32b 1.00d .12, Ss	2
4	56186	(008000–	) Relay, 12vdc, 040a, Spdt No	1
5	1036801	(008000–	) Pump, Soltn, 13.7vdc, 65psi [FaST li+]	1
6	1039357	(008000–	) Bracket, Retainer, Pump	1
7	15678	(008000–	) Screw, Hex, M6 X 1.00 X 16, Ss	3
8	1011403	(008000–	) Hose, Afmkt, Pvc, Brd, 0.50ld, 01Ft, Clr	1
9	43844	(008000–	) Clamp, Hose, Wormdrive, 0.25–0.62d, .31w	14
10	1018098	(008000–	) Valve, Water, Solenoid, 12vdc 6.0mm Pf04	1
11	09200	(008000–	) Screw, Pan, Phl, M5 X 0.80 X 12, Ss	2
12	01683	(008000–	) Washer, Flat, 10, Ss	2
13	150540	(008000–	) Fitting, Plstc, Str, Bm06/Pm04	1
14	150709	(008000–	) Fitting, Brs, Tee, Pf04/Pf04/Pm04, Run	1
15	57248	(008000–	) Fitting, Plstc, E90, Bm06/Pm04, Nyl	2
16	1044343	(008000–	) Bracket, Mtg [FaST Gen 2+]	1
17	9008868	(008000–	) FaST Kit, Injector [M20/T20/M30 FaST III] (See Breakdowns)	2
18	1005435	(008000–	) Fitting, Plstc, Pipe, Cap, Pf04	1
19	1002898	(008000–	) Fitting, Plstc, Str, Bm04, Cplg, Fem	1
20	1002899	(008000–	) Fitting, Plstc, Str, Pm04, Cplg, Mal	2
21	150713	(008000–	) Fitting, Plstc, Tee, Bm04/Bm04/Bm04	1
22	1014986	(008000–	) Hose, Afmkt, Pvc, Clr, 0.25id, 02ft	1
23	1006416	(008000–	) Hose, Afmkt, Pvc, Clr, 0.38id, 03ft	1
24	54333	(008000–	) Clamp, Hose, Wormdrive, 0.31–0.88d, .31w	8
25	150538	(008000–	) Fitting, Plstc, Str, Bm06/Pm06	2
26	1005302	(008000–	) Filter, In-Line, Pf06/Pf06 080mesh 02.6l	1
27	73468	(008000–	) Fitting, Plstc, E90, Bm10/Pm12	1
28	42133A	(008000–	) Fitting, Plstc, Tee, Pf12/Pf12/Pf12	1
29	24544	(008000–	) Fitting, Plstc, Str, Pm12/Pm12 1.60l	1
30	1005552	(008000–	) Fitting, Plstc, E90, Bm08/Pm12, Nyl	1
31	10632–19	(008000–	) Grommet, Rbr, 2.13id, F/2.5h, .12 Matl	1
32	1006400	(008000–	) Hose, Afmkt, Pvc, Brd, 0.38id, 03ft, Clr	1
33	1024237	(008000–	) Hose, Afmkt, Pvc, Wir, 0.50id, 03ft, Clr	1
34	1014929	(008000–	) Hose, Afmkt, Pvc, Clr, 0.38id, 01ft	1
35	1010668	(008000–	) Fitting, Plstc, Y, Bm08/Bm08/Bm08, Nyl	1
36	1017022	(008000–	) Detergent, Pkg, 2 Liter, Sgl [665]	1
37	1035794	(008000–	) Valve, Check, 0005psi Bm06/Bm08	2
38	01684	(008000–	) Washer, Flat, 0.27B 0.69D .05, Ss	3
39	1049254	(008000–	) Fitting, Nyl, Qdc, E90, Bm08/ Qm10	1
40	1049259	(008000–	) Fitting, NylY, Qdc, E90, Bm06/ Qm10	1

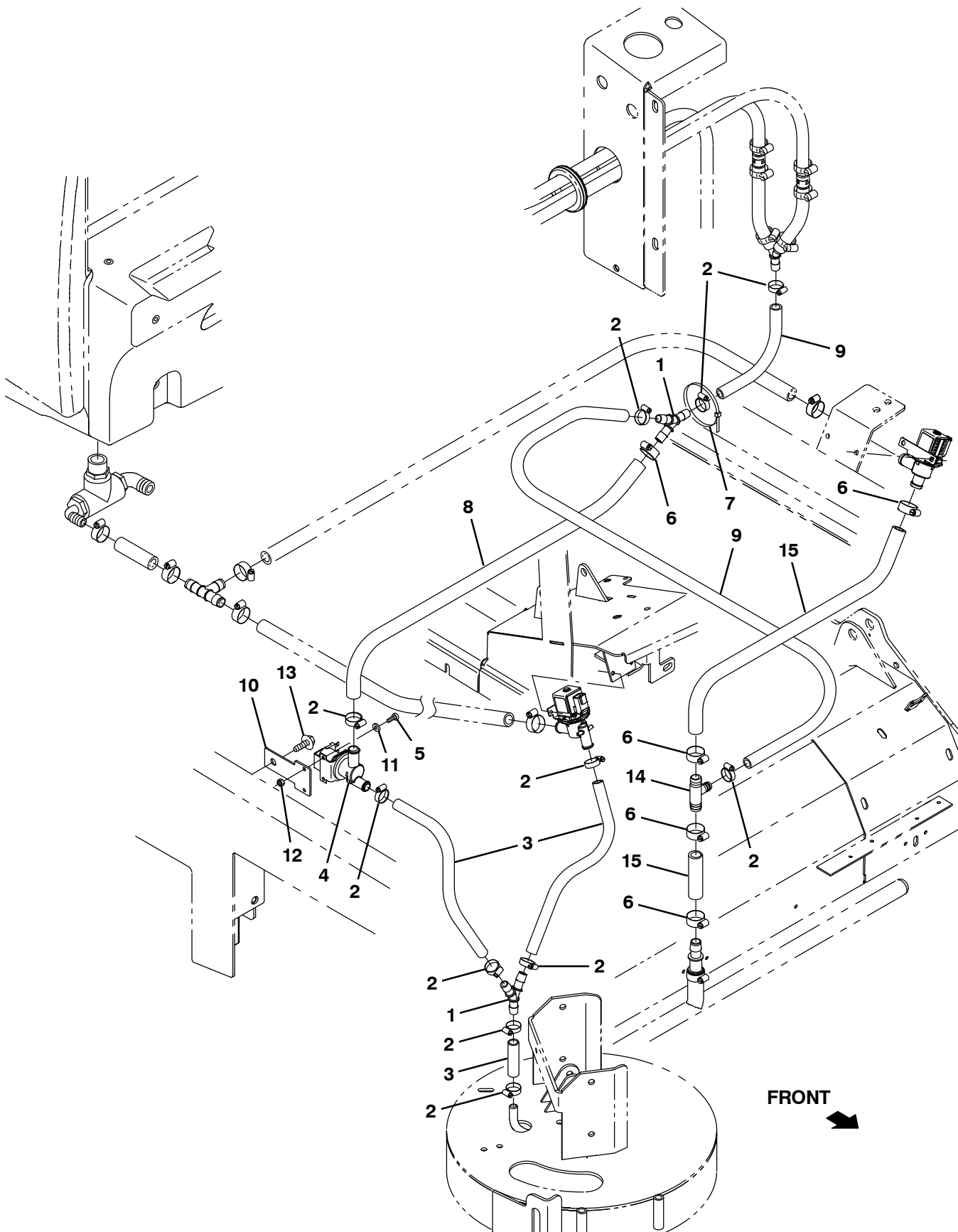
**Fig. 9 – FaST Solution Supply Group, Cylindrical Scrub Head**



**Fig. 9 – FaST Solution Supply Group, Cylindrical Scrub Head**

<b>Ref.</b>	<b>Part No.</b>	<b>Serial Number</b>	<b>Description</b>	<b>Qty.</b>
1	63810	(008000–	) Clamp, Hose, Wormdrive, 0.56–1.06d, .56w	6
2	1015032	(008000–	) Hose, Afmkt, Pvc, Brd, 0.62id, 08ft, Clr	1
3	54333	(008000–	) Clamp, Hose, Wormdrive, 0.31–0.88d, .31w	2
4	1011412	(008000–	) Hose, Afmkt, Pvc, Brd, 0.50id, 08ft, Clr	1
5	1015486	(008000–	) Fitting, Plstc, Tee, Bm08/Bm10/Bm10, Br	1

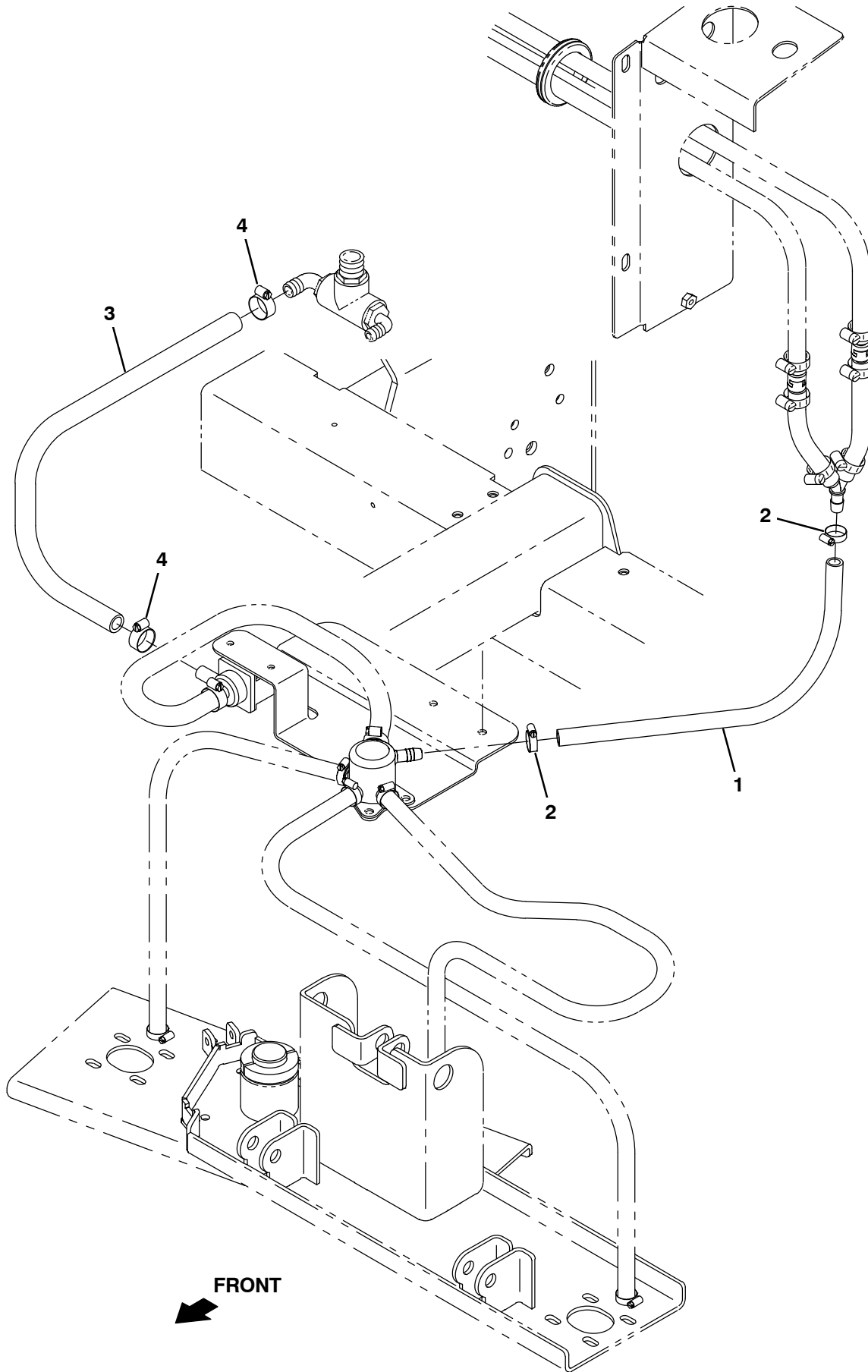
**Fig. 10 - FaST Solution Supply Group with Side Brush, Cylindrical Scrub Head**



**Fig. 10 – FaST Solution Supply Group with Side Brush, Cylindrical Scrub Head**

<b>Ref.</b>	<b>Part No.</b>	<b>Serial Number</b>	<b>Description</b>	<b>Qty.</b>
1	1010668	(008000–	) Fitting, Plstc, Y, Bm08/Bm08/Bm08, Nyl	2
2	54333	(008000–	) Clamp, Hose, Wormdrive, 0.31–0.88d, .31w	11
3	1015067	(008000–	) Hose, Afmkt, Pvc, Clr, 0.50id, 08ft	1
4	1037825	(008000–	) Valve, Solenoid, 12vdc, Water Flow	1
5	09200	(008000–	) Screw, Pan, Phl, M5 X 0.80 X 12, Ss	2
6	63810	(008000–	) Clamp, Hose, Wormdrive, 0.56–1.06d, .56w	5
7	763116	(008000–	) Tie, Cable, Nyl, 15.3l . W 4.5 Max D	1
8	31543	(008000–	) Hose, Heater, E90, 0.62id, 24.0 4.0	1
9	1011412	(008000–	) Hose, Afmkt, Pvc, Brd, 0.50id, 08ft, Clr	1
10	1030511	(008000–	) Plate, Mtg, Valve	1
11	01683	(008000–	) Washer, Flat, 10, Ss	2
12	09739	(008000–	) Nut, Hex, Lock, M5 X 0.80, NI, Ss	2
13	76099	(008000–	) Screw, Hex, M8 X 1.25 X 25, Fmg	1
14	1015486	(008000–	) Fitting, Plstc, Tee, Bm08/Bm10/Bm10, Br	1
15	1015026	(008000–	) Hose, Afmkt, Pvc, Brd, 0.62id, 03ft, Clr	1

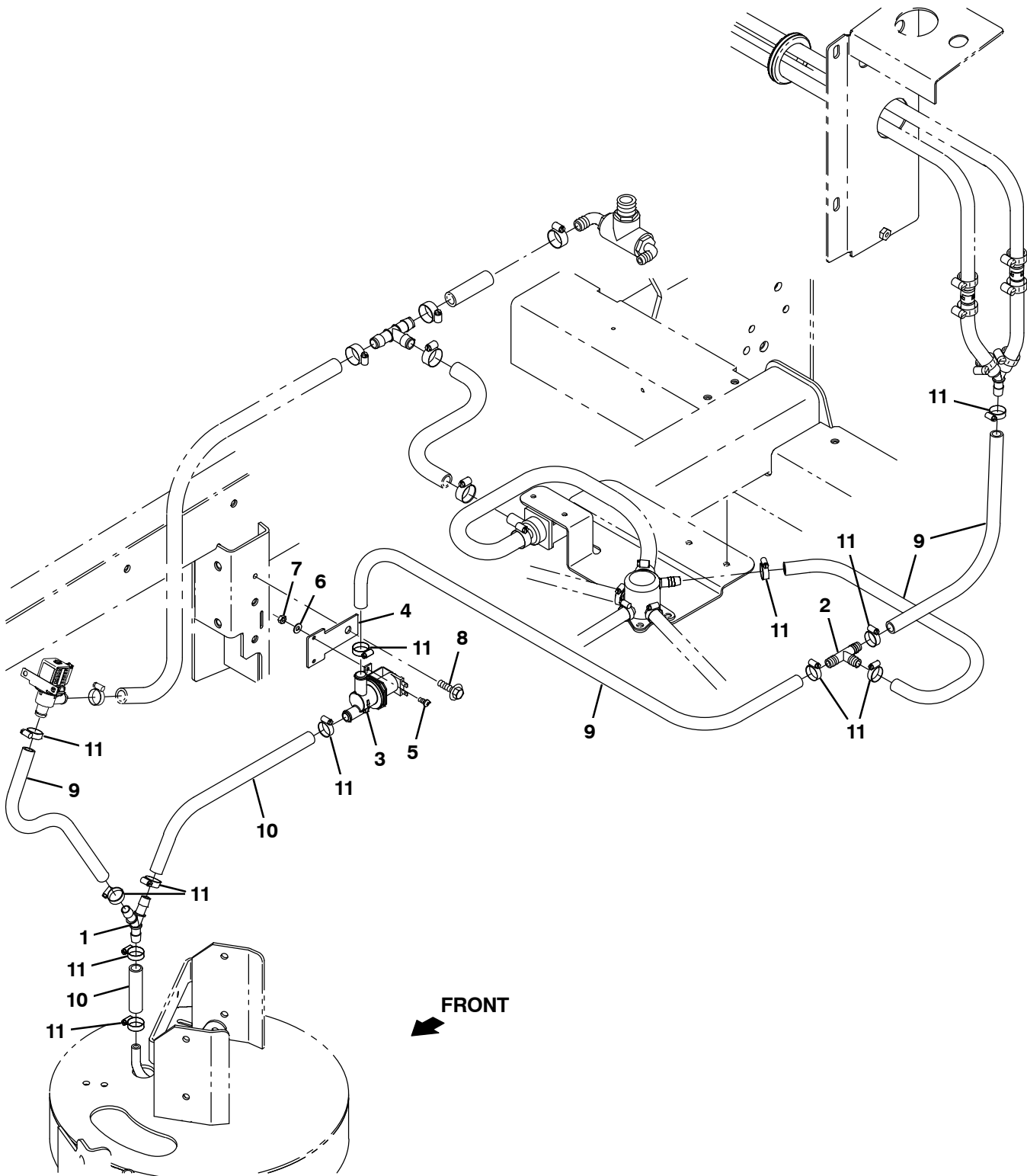
**Fig. 11 – FaST Solution Supply Group, Disk Scrub Head**



**Fig. 11 – FaST Solution Supply Group, Disk Scrub Head**

<b>Ref.</b>	<b>Part No.</b>	<b>Serial Number</b>	<b>Description</b>	<b>Qty.</b>
1	1011412	(008000–	) Hose, Afmkt, Pvc, Brd, 0.50id, 08ft, Clr	1
2	54333	(008000–	) Clamp, Hose, Wormdrive, 0.31–0.88d, .31w	2
3	1015026	(008000–	) Hose, Afmkt, Pvc, Brd, 0.62id, 03ft, Clr	1
4	63810	(008000–	) Clamp, Hose, Wormdrive, 0.56–1.06d, .56w	2

**Fig. 12 – FaST Solution Supply Group with Side Brush, Disk Scrub Head**

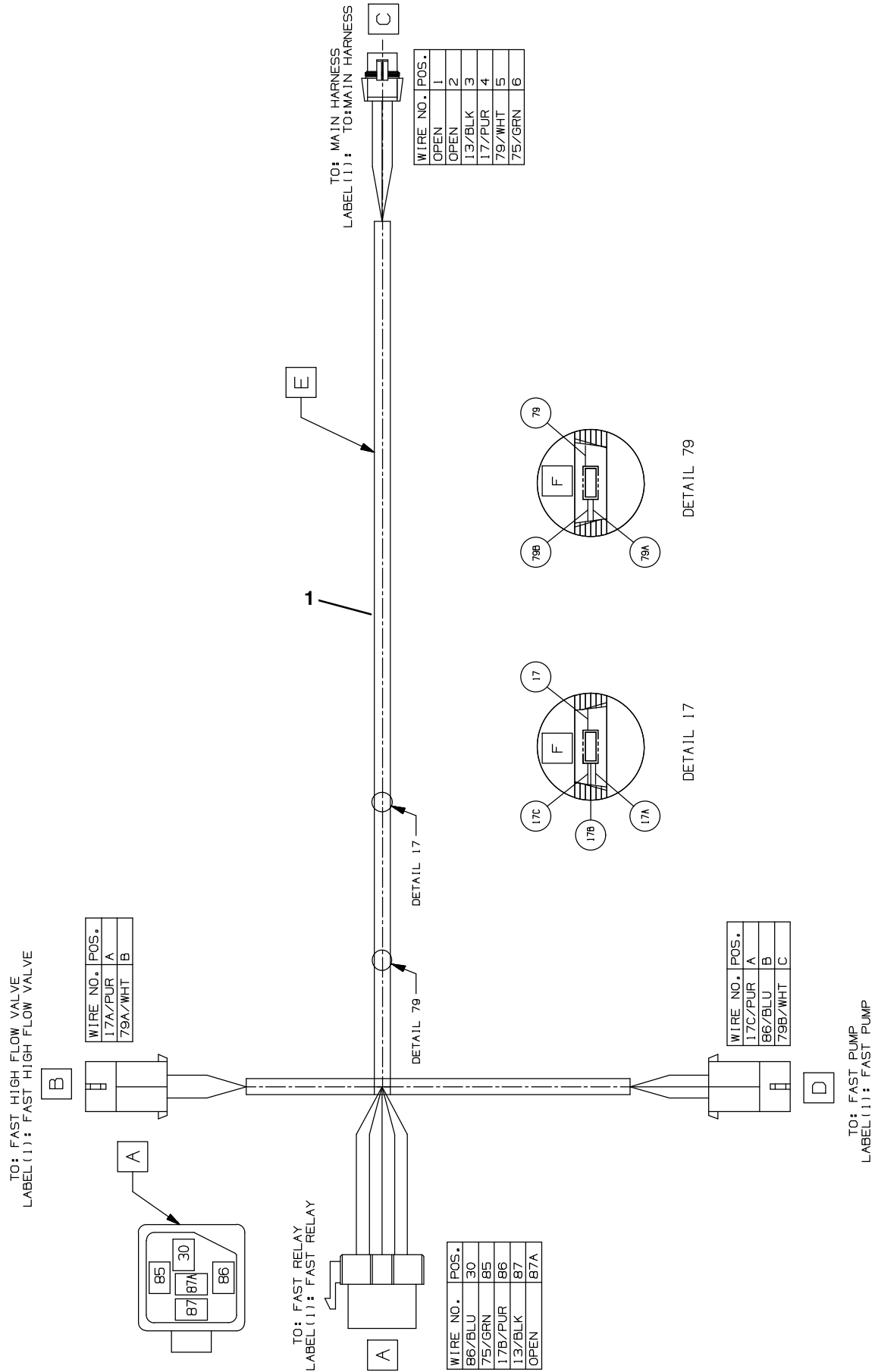




**Fig. 12 - FaST Solution Supply Group with Side Brush, Disk Scrub Head**

<b>Ref.</b>	<b>Part No.</b>	<b>Serial Number</b>	<b>Description</b>	<b>Qty.</b>
1	1010668	(008000-	) Fitting, Plstc, Y, Bm08/Bm08/Bm08, Nyl	1
2	63245-1	(008000-	) Fitting, Plstc, Tee, Bm08/Bm08/Bm08	1
3	1037825	(008000-	) Valve, Solenoid, 12vdc, Water Flow	1
4	1030511	(008000-	) Plate, Mtg, Valve	11
5	09200	(008000-	) Screw, Pan, Phl, M5 X 0.80 X 12, Ss	2
6	01683	(008000-	) Washer, Flat, 10, Ss	2
7	09739	(008000-	) Nut, Hex, Lock, M5 X 0.80, NI, Ss	2
8	76099	(008000-	) Screw, Hex, M8 X 1.25 X 25, Fmg	1
9	1011412	(008000-	) Hose, Afmkt, Pvc, Brd, 0.50id, 08ft, Clr	1
10	1015067	(008000-	) Hose, Afmkt, Pvc, Clr, 0.50id, 08ft	1
11	54333	(008000-	) Clamp, Hose, Wormdrive, 0.31-0.88d, .31w	11

Fig. 13 - FaST Wire Harness Group



**Fig. 13 – FaST Wire Harness Group**

<b>Ref.</b>	<b>Part No.</b>	<b>Serial Number</b>	<b>Description</b>	<b>Qty.</b>
1	1075138	(008000– )	Harness, Wire [FaST Gen 2, M20/T20]	1

Fig. 14 – ec-H2O Solution Pump Group

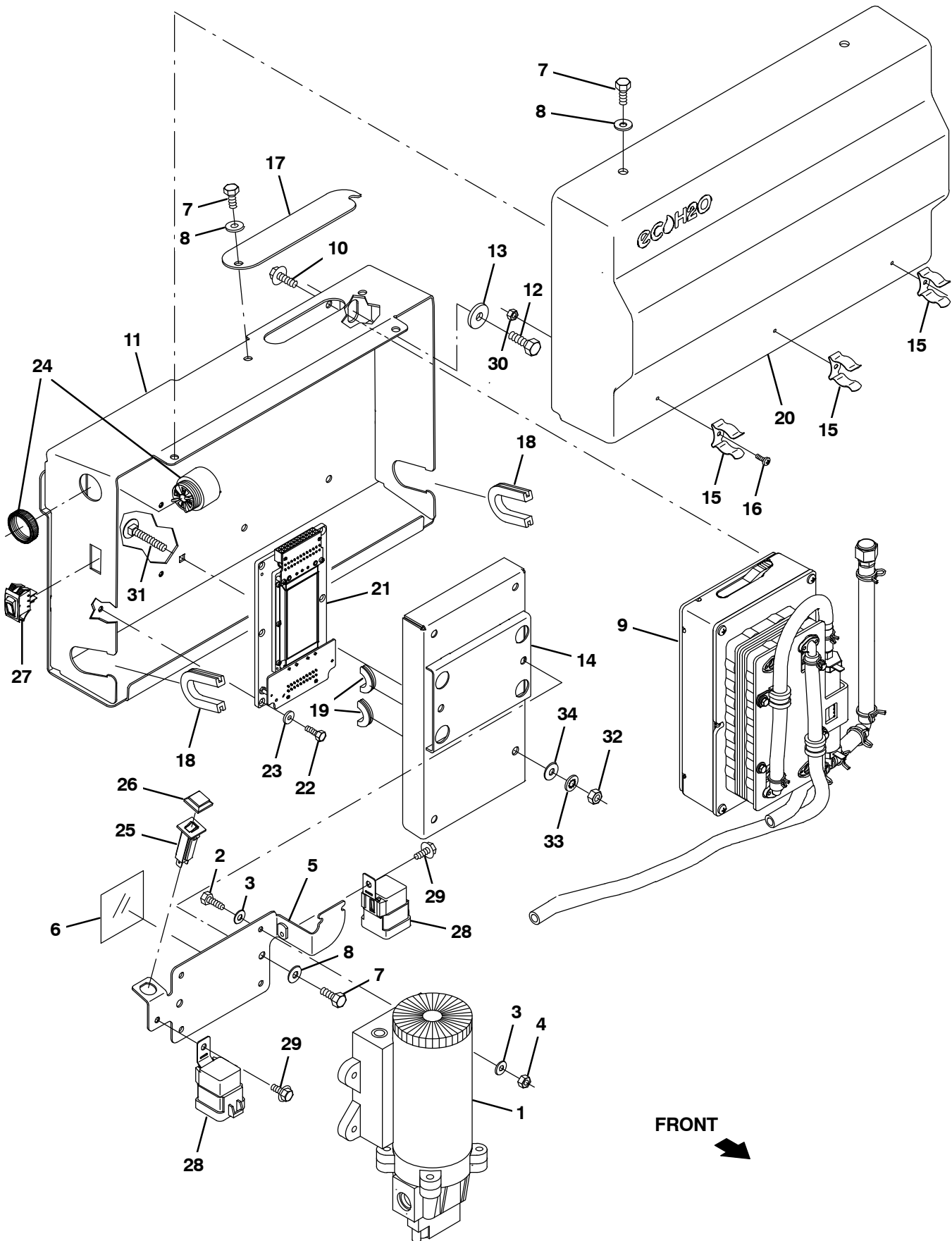
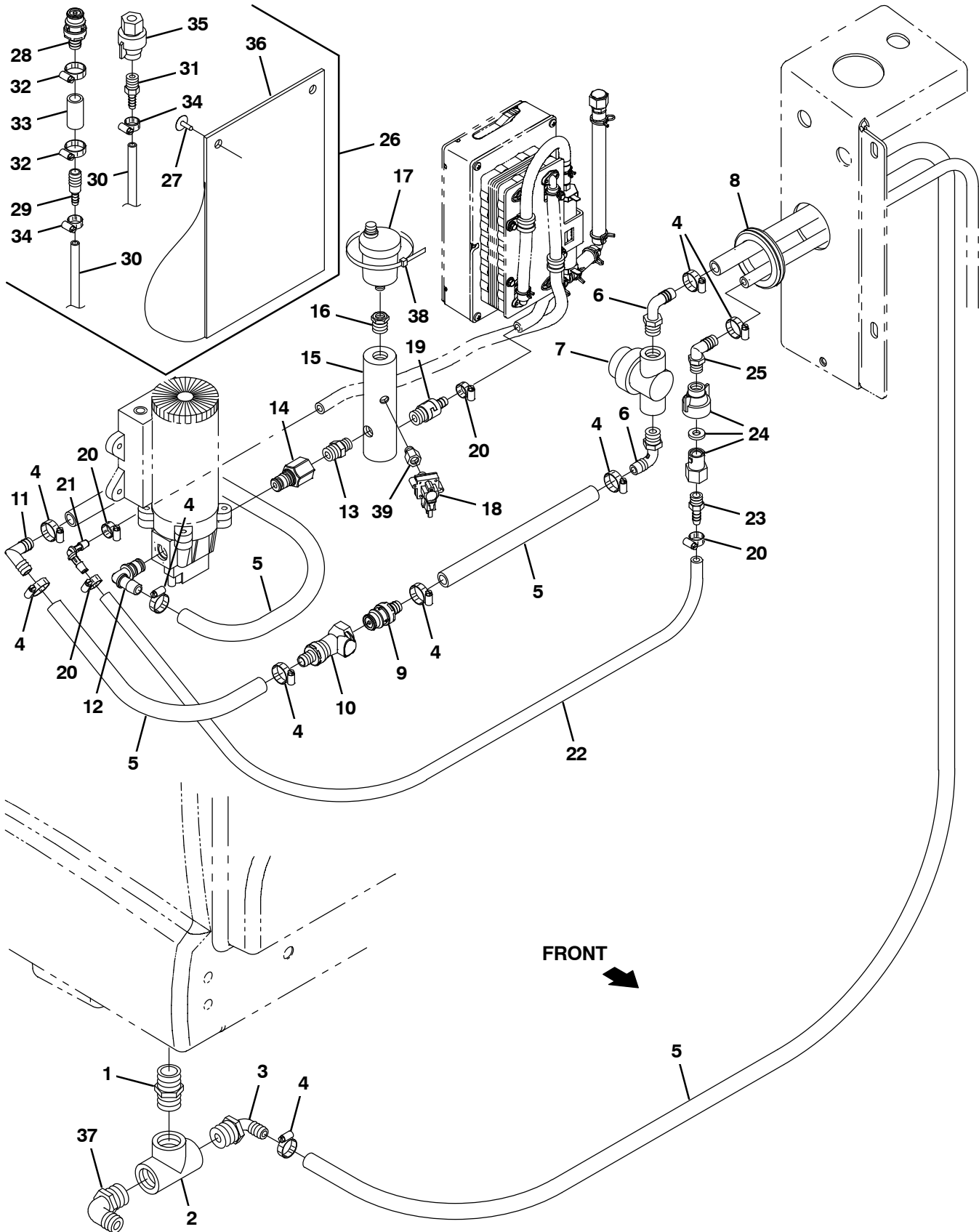


Fig. 14 – ec–H2O Solution Pump Group

Ref.	Part No.	Serial Number	Description	Qty.
1	1060624	(008000–	) Pump, Soltn, Ele, 13.7vdc,12/28psi	1
2	09252	(008000–	) Screw, Hex, M5 X 0.80 X 20, 8.8	4
3	19066	(008000–	) Washer, Flat, 10	8
4	06549	(008000–	) Nut, Hex, Lock, M5 X 0.80, NI	4
5	1060273	(008000–	) Plate, Mtg, Pump	1
6	1059677	(008000–	) Strip, Rbr, 0.06 03.54w 03.5l [Neo/60]	1
7	09744	(008000–	) Screw, Hex, M6 X 1.00 X 12, Ss	6
8	01684	(008000–	) Washer, Flat, 0.27b 0.69d .05, Ss	6
9	9007882	(008000–	) Module Kit, Replmt [Ec–H2O] (See Breakdowns)	1
10	1040467	(008000–	) Screw, Hex, M6 X 1.00 X 20, 9.8, Sems	4
11	1060292	(008000–	) Plate Wldt, Mtg	1
12	09740	(008000–	) Screw, Hex, M8 X 1.25 X 20, Ss	2
13	1017218	(008000–	) Washer, Flat, 0.32b 1.00d .12, Ss	2
14	1060185	(008000–	) Cover Wldt, Power Supply	1
15	1029057	(008000–	) Clip, Grip, Finger, 0.88–1.25d	3
16	12323	(008000–	) Screw, Pan, Phl, M4 X 0.70 X 20, Ss	3
17	1060291	(008000–	) Plate, Inspection	1
18	1020168	(008000–	) Molding, Afmkt, Trim, Pvc, .08 .11, 01Ft	1
19	10632–4	(008000–	) Grommet, Rbr, 0.62id, F/0.9h, .06 Matl	1
20	1060719	(008000–	) Cover, Trimmed	1
21	1247720	(008000–	) Circuitboard Assy [Dc To Dc Conv.]	1
22	09206	(008000–	) Screw, Hex, M4 X 0.70 X 12, 8.8	4
23	19065	(008000–	) Washer, Flat, 08	4
24	1052726	(008000–	) Alarm, 9–48vdc, 95 Db(A) [Ec–H2O]	1
25	1064183	(008000–	) Circuitbreaker, 02.0a, Resetable	1
26	1064191	(008000–	) Boot, Circuitbreaker	1
27	1044393	(008000–	) Switch, Rocker, Spst, Mom	1
28	56186	(008000–	) Relay, 12vdc, 040a, Spdt No	2
29	223198	(008000–	) Screw, Hex, M5 X 0.80 X 10, Fmg	2
30	33932	(008000–	) Nut, Hex, Lock, M4 X 0.70, NI, Ss	3
31	1062804	(008000–	) Bolt, Carriage, M06 X 1.00 X 40, 4.6	4
32	41359	(000000	) Nut, Hex, Std, M6 X 1.00, 8	4
33	32982	(000000	) Washer, Lock, Int, 0.25	4
34	32483	(000000	) Washer, Flat, 0.25, Sae	4

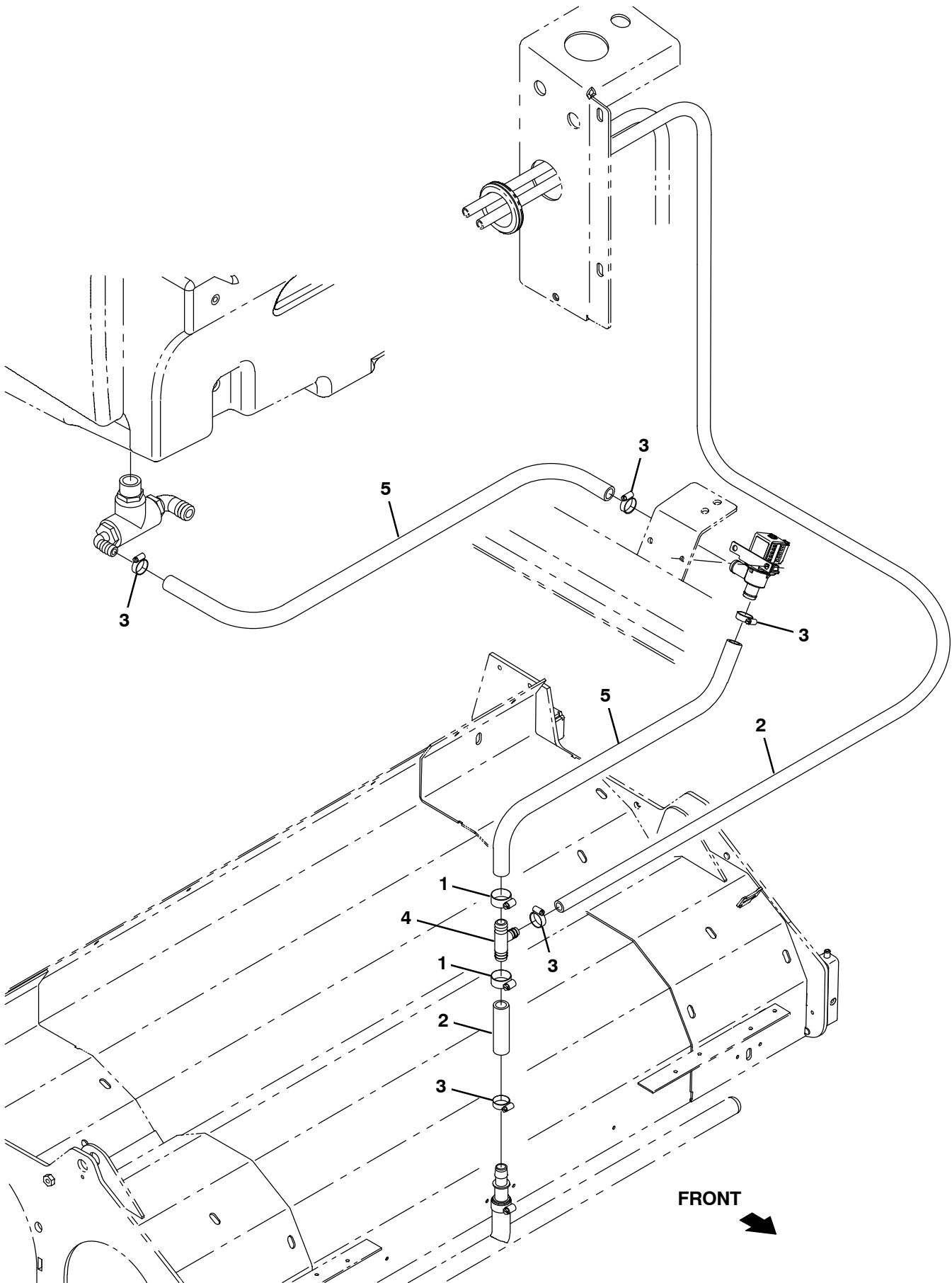
**Fig. 15 – ec-H2O Solution Pump Supply Group**



**Fig. 15 - ec-H2O Solution Pump Supply Group**

Ref.	Part No.	Serial Number	Description	Qty.
1	24544	(008000-	) Fitting, Plstc, Str, Pm12/Pm12 1.60l	1
2	42133A	(008000-	) Fitting, Plstc, Tee, Pf12/Pf12/Pf12	1
3	1005552	(008000-	) Fitting, Plstc, E90, Bm08/Pm12, Nyl	1
4	54333	(008000-	) Clamp, Hose, Wormdrive, 0.31-0.88d, .31w	9
5	1011837	(008000-	) Hose, Afmkt, Pvc, Brd, 0.50id, 12ft, Clr	1
6	64778	(008000-	) Fitting, Plstc, E90, Bm08/Pm06	2
7	1005302	(008000-	) Filter, In-Line, Pf06/Pf06 080mesh 02.6l	1
8	10632-19	(008000-	) Grommet, Rbr, 2.13id, F/2.5h, .12 Matl	3
9	1017415	(008000-	) Insert, Cplg, Qm, Bm08	1
10	1017413	(008000-	) Housing, Cplg, Qf / Pm08	1
11	63987-1	(008000-	) Fitting, Plstc, E90, Bm08/Bm08	1
12	1049254	(008000-	) Fitting, Nyl, Qdc, E90, Bm08/ Qm10	1
13	1059372	(008000-	) Fitting, Plstc, Str, Pf06/Qm10, Pvc	1
14	1005219	(008000-	) Fitting, Plstc, Str, Pm04/Pm06, Nyl	1
15	1060596	(008000-	) Manifold, Water	1
16	24698	(008000-	) Fitting, Brs, Str, Pf02/Pm06	1
17	1017386	(008000-	) Valve, Vent, Air, Float Type	1
18	1058935	(008000-	) Switch, Press, 50 Psi, Pm02	1
19	1060693	(008000-	) Valve, Check, 0005psi Pm04/Bm06	1
20	43844	(008000-	) Clamp, Hose, Wormdrive, 0.25-0.62d, .31w	4
21	1059391	(008000-	) Fitting, Plstc, E90, Bm05/Bm05, Nyl	1
22	1052336	(008000-	) Hose, Afmkt, PVC, Brd, 0.31id, 03Ft, Clr	2
23	1052017	(008000-	) Fitting, Plstc, Str, Bm05/Pm04	1
24	1071280	(008000-	) Fitting Assy, Qdc, Pf04	1
25	65581	(008000-	) Fitting, Plstc, E90, Bm08/Pm04	1
▽	26	9014281	(008000-) ec-H2O Kit, Flush, Replmt[M20, M30&T20]	1
▲	27	72968	(008000-) Rivet, Plstc, .250d X 0.90	2
▲	28	1017415	(008000-) Insert, Cplg, Qm, Bm08	1
▲	29	630164	(008000-) Fitting, Plstc, Str, Bm04/Bm08	1
▲	30	1006415	(008000-) Hose, Afmkt, Pvc, Clr, 0.25id, 03ft	2
▲	31	50901	(008000-) Fitting, Plstc, Str, Bm04/Pm04	1
▲	32	54333	(008000-) Clamp, Hose, Wormdrive, 0.31-0.88d, .31w	2
▲	33	1011403	(008000-) Hose, Afmkt, Pvc, Brd, 0.50id, 01ft, Clr	1
▲	34	43844	(008000-) Clamp, Hose, Wormdrive, 0.25-0.62d, .31w	2
▲	35	1071280	(008000-) Fitting Assy, Qdc, Pf04	1
▲	36	48790	(008000-) Pouch	1
	37	73468	(008000-) Fitting, Plstc, E90, Bm10/Pm12	1
	38	49266	(008000-) Tie, Cable, Nyl, 07.3l .19w 1.8 Max D	1
	39	1062403	(008000-) Fitting, Brs, Snubber, Pm02/Pf02	1

**Fig. 16 – ec-H2O Solution Supply Group, Cylindrical Scrub Head**

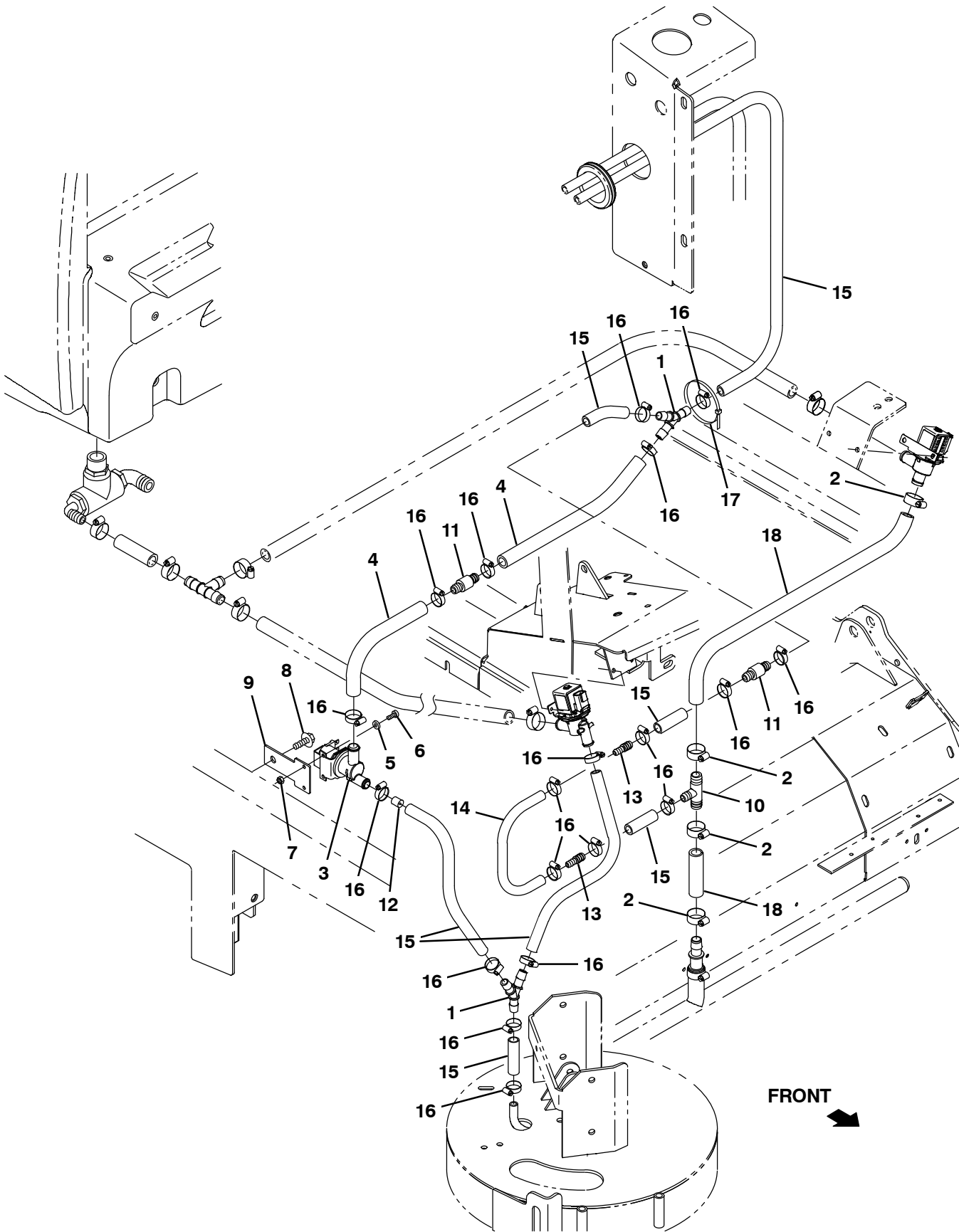




**Fig. 16 – ec-H2O Solution Supply Group, Cylindrical Scrub Head**

<b>Ref.</b>	<b>Part No.</b>	<b>Serial Number</b>	<b>Description</b>	<b>Qty.</b>
1	63810	(008000–	) Clamp, Hose, Wormdrive, 0.56–1.06d, .56w	2
2	1011837	(008000–	) Hose, Afmkt, Pvc, Brd, 0.50id, 12ft, Clr	1
3	54333	(008000–	) Clamp, Hose, Wormdrive, 0.31–0.88d, .31w	5
4	1015486	(008000–	) Fitting, Plstc, Tee, Bm08/Bm10/Bm10, Br	1
5	1015032	(008000–	) Hose, Afmkt, Pvc, Brd, 0.62id, 08ft, Clr	1

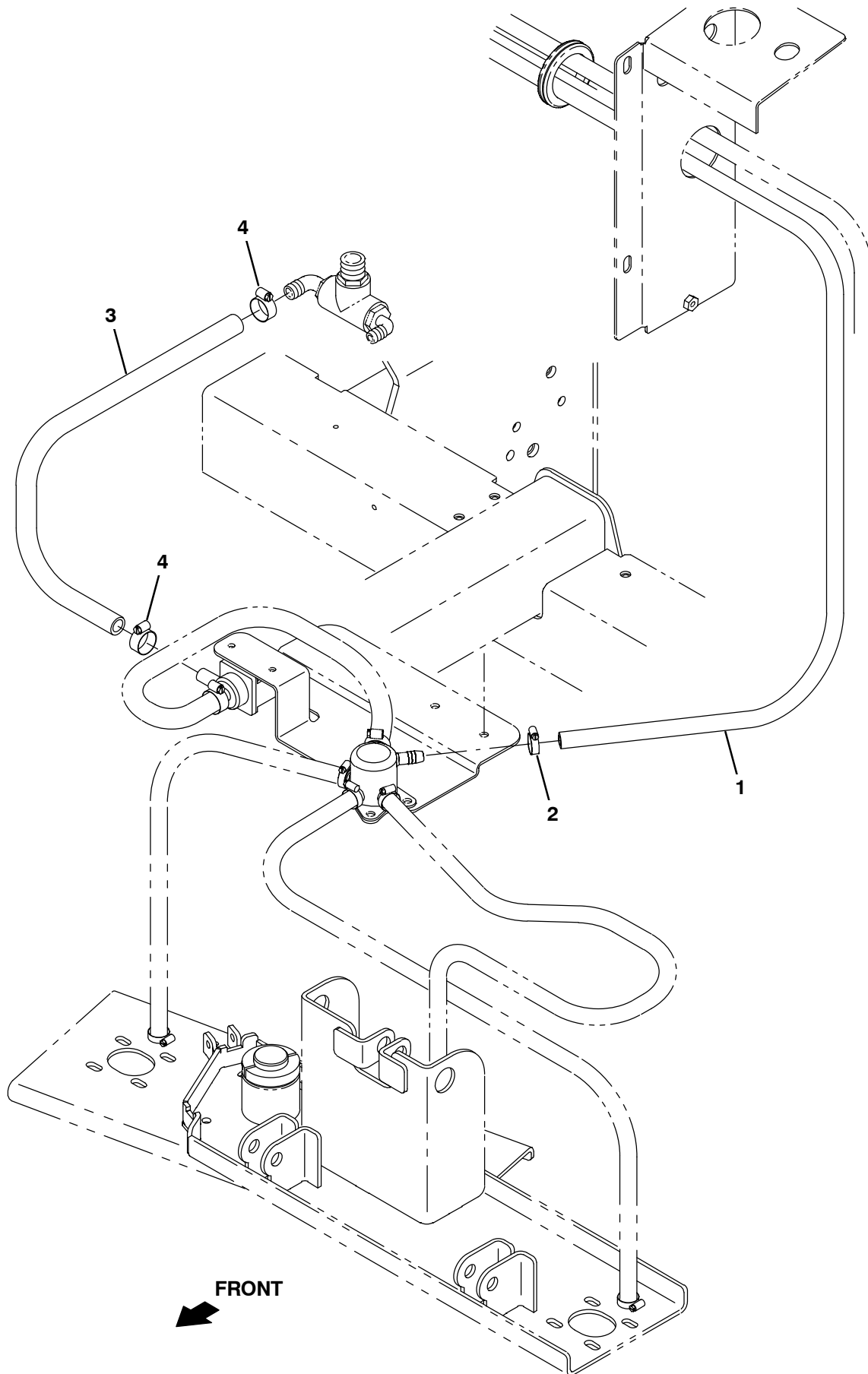
Fig. 17 – ec-H2O Solution Supply Group, Cylindrical Scrub Head with Side Brush



**Fig. 17 – ec-H2O Solution Supply Group, Cylindrical Scrub Head with Side Brush**

<b>Ref.</b>	<b>Part No.</b>	<b>Serial Number</b>	<b>Description</b>	<b>Qty.</b>
1	1010668	(008000–	) Fitting, Plstc, Y, Bm08/Bm08/Bm08, Nyl	1
2	63810	(008000–	) Clamp, Hose, Wormdrive, 0.56–1.06d, .56w	4
3	1037825	(008000–	) Valve Assy, Water, Solenoid, 12vdc	1
4	31543	(008000–	) Hose, Heater, E90, 0.62id, 24.0 4.0	1
5	01683	(008000–	) Washer, Flat, 10, Ss	2
6	24196	(008000–	) Screw, Pan, Phl, M5 X 0.80 X 20, Ss	2
7	09739	(008000–	) Nut, Hex, Lock, M5 X 0.80, NI, Ss	2
8	76099	(008000–	) Screw, Hex, M8 X 1.25 X 25, Fmg	1
9	1030511	(008000–	) Plate, Mtg, Valve	1
10	1015486	(008000–	) Fitting, Plstc, Tee, Bm08/Bm10/Bm10, Br	1
11	1010614	(008000–	) Valve, Check, 2gpm .5psi Bm08/Bm08	2
12	1061045	(008000–	) Plug, Restrictor	1
13	222375	(008000–	) Fitting, Plstc, Str, Bm06/Bm08	2
14	1014974	(008000–	) Hose, Afmkt, Pvc, Brd, 0.38id, 02ft, Clr	1
15	1011412	(008000–	) Hose, Afmkt, Pvc, Brd, 0.50id, 08ft, Clr	1
16	54333	(008000–	) Clamp, Hose, Wormdrive, 0.31–0.88d, .31w	18
17	763116	(008000–	) Tie, Cable, Nyl, 15.3l . W 4.5 Max D	1
18	1015026	(008000–	) Hose, Afmkt, Pvc, Brd, 0.62id, 03ft, Clr	1

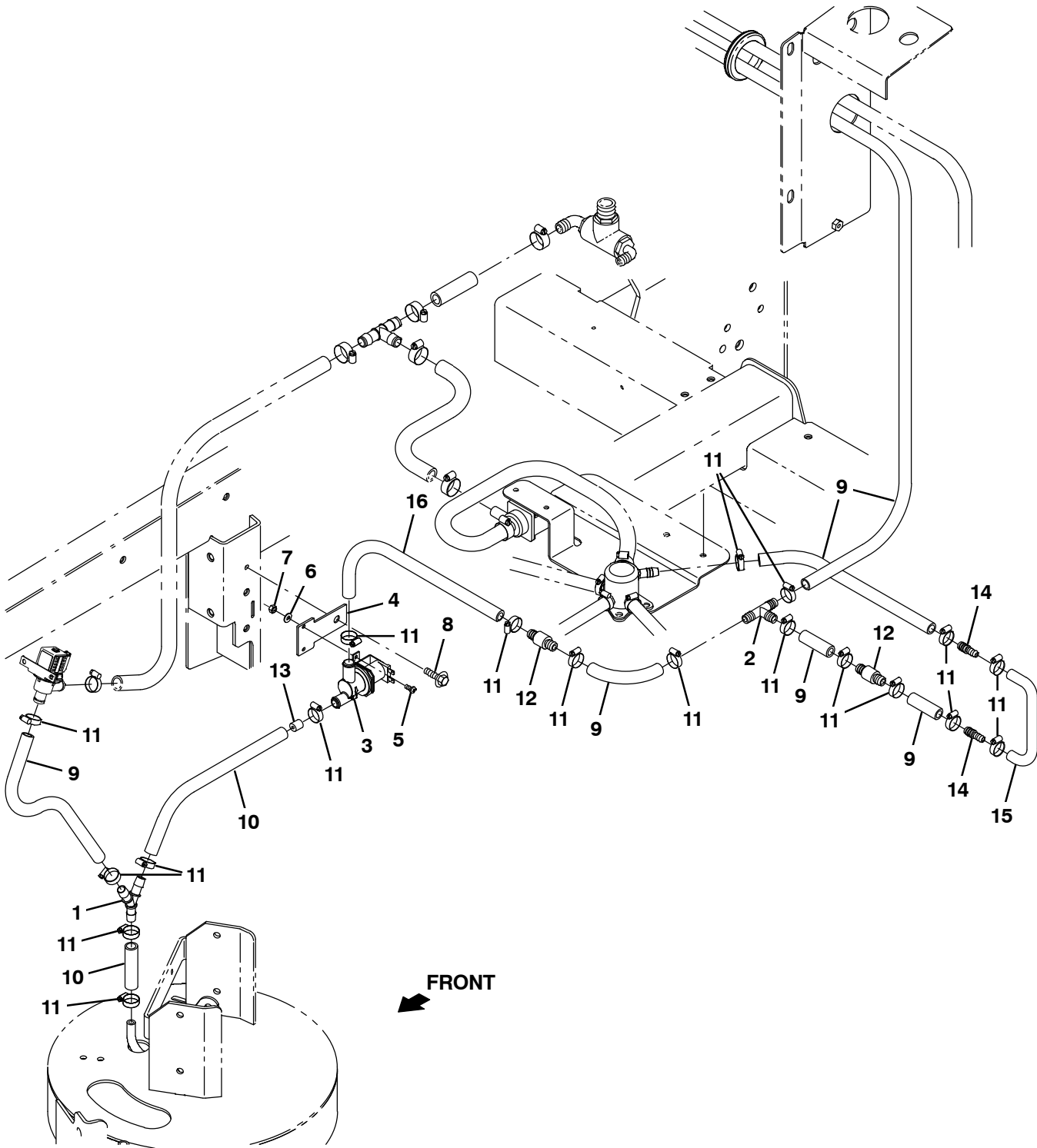
**Fig. 18 – ec-H2O Solution Supply Group, Disk Scrub Head**



**Fig. 18 - ec-H2O Solution Supply Group, Disk Scrub Head**

<b>Ref.</b>	<b>Part No.</b>	<b>Serial Number</b>	<b>Description</b>	<b>Qty.</b>
1	1011412	(008000-	) Hose, Afmkt, Pvc, Brd, 0.50ld, 08Ft, Clr	1
2	54333	(008000-	) Clamp, Hose, Wormdrive, 0.31-0.88D, .31W	1
3	1015026	(008000-	) Hose, Afmkt, Pvc, Brd, 0.62ld, 03Ft, Clr	1
4	63810	(008000-	) Clamp, Hose, Wormdrive, 0.56-1.06D, .56W	2

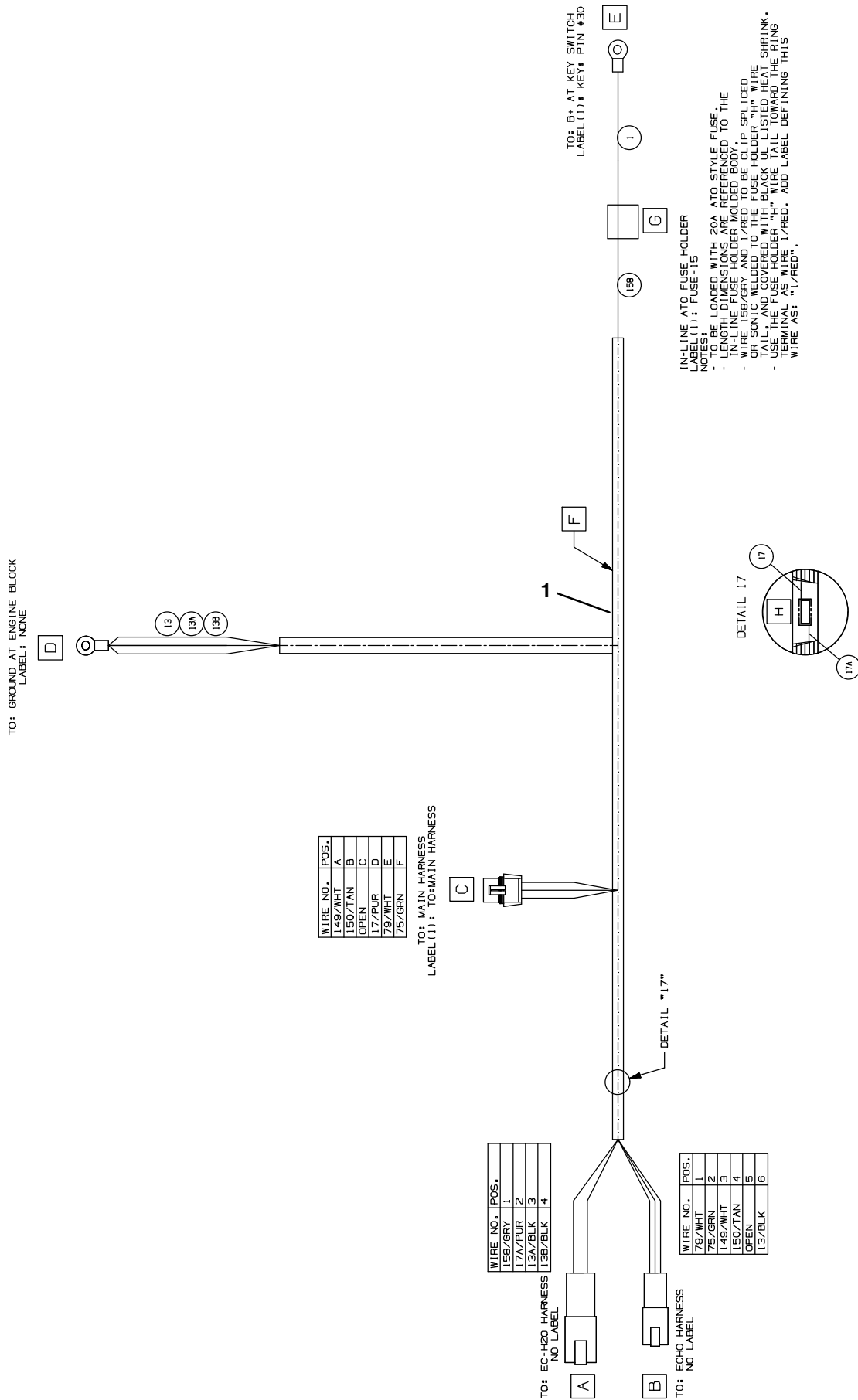
**Fig. 19 – ec-H<sub>2</sub>O Solution Supply Group, Disk Scrub Head with Side Brush**



**Fig. 19 - ec-H2O Solution Supply Group, Disk Scrub Head with Side Brush**

<b>Ref.</b>	<b>Part No.</b>	<b>Serial Number</b>	<b>Description</b>	<b>Qty.</b>
1	1010668	(008000-	) Fitting, Plstc, Y, Bm08/Bm08/Bm08, Nyl	1
2	63245-1	(008000-	) Fitting, Plstc, Tee, Bm08/Bm08/Bm08	1
3	1037825	(008000-	) Valve, Solenoid, 12vdc, Water Flow	1
4	1030511	(008000-	) Plate, Mtg, Valve	11
5	09200	(008000-	) Screw, Pan, Phl, M5 X 0.80 X 12, Ss	2
6	01683	(008000-	) Washer, Flat, 10, Ss	2
7	09739	(008000-	) Nut, Hex, Lock, M5 X 0.80, NI, Ss	2
8	76099	(008000-	) Screw, Hex, M8 X 1.25 X 25, Fmg	1
9	1011412	(008000-	) Hose, Afmkt, Pvc, Brd, 0.50id, 08ft, Clr	1
10	1015067	(008000-	) Hose, Afmkt, Pvc, Clr, 0.50id, 08ft	1
11	54333	(008000-	) Clamp, Hose, Wormdrive, 0.31-0.88d, .31w	20
12	1010614	(008000-	) Valve, Check, 2Gpm .5Psi Bm08/Bm08	2
13	1061045	(008000-	) Plug, Rsestricter	1
14	222375	(008000-	) Fitting, Plstc, Str, BM06/BM08	2
15	1014974	(008000-	) Hose, Afmkt, Pvc, Brd, 0.38ld, 02Ft, Clr	1
16	31543	(008000-	) Hose, Heater, E90, 0.62ld, 24.0 4.0	1

Fig. 20 – ec-H20 Wire Harnesses Group



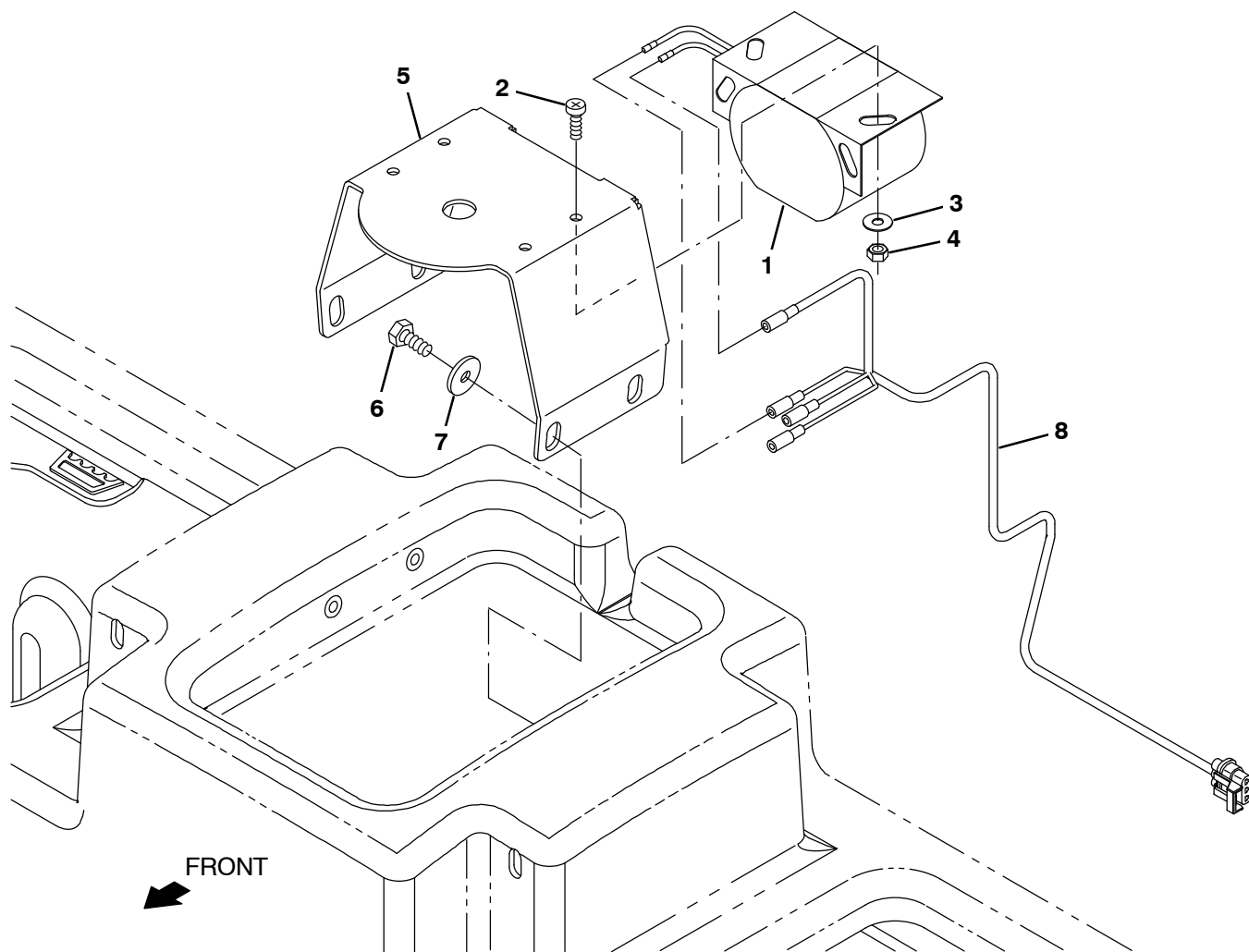




**Fig. 20 – ec-H20 Wire Harnesses Group**

<b>Ref.</b>	<b>Part No.</b>	<b>Serial Number</b>	<b>Description</b>	<b>Qty.</b>
1	1075140	(008000–	) Harness, Ele [Ech2o, Interface]	1
2	1060871	(008000–	) Harness, Wire [Ec-H2o]	1
3	1060880	(008000–	) Resistor, Ele, Plug [430 , 2w]	1
4	1060881	(008000–	) Capacitor, Plug [4700uf, 25v]	1

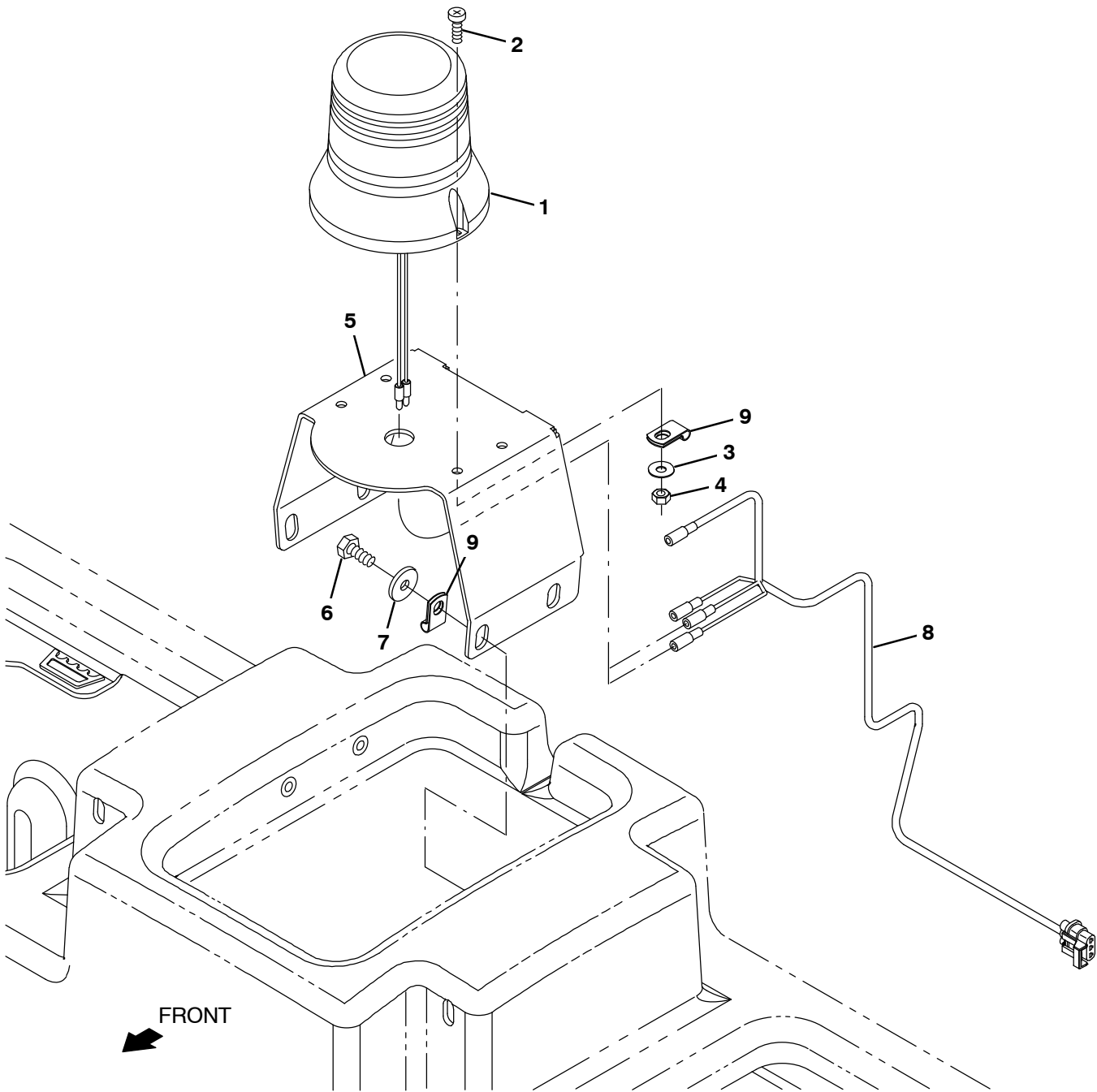
Fig. 21 – Backup Alarm Kit



354473

Ref.	Part No.	Serial Number	Description	Qty.
▽	9001321	(008000–	) Alarm Kit, Backup, Ci [M20 And T20]	1
▲	1 9007131	(008000–	) Alarm Assy, Backup, 12/48Vdc	1
▲	2 24196	(008000–	) Screw, Pan, Phl, M5 X 0.80 X 20, Ss	2
▲	3 19066	(008000–	) Washer, Flat, 10	2
▲	4 09739	(008000–	) Nut, Hex, Lock, M5 X 0.80, NI, Ss	2
▲	5 1019445	(008000–	) Bracket, Sppt, Strobe Light	1
▲	6 09740	(008000–	) Screw, Hex, M8 X 1.25 X 20, Ss	4
▲	7 1017218	(008000–	) Washer, Flat, 0.32b 1.00d .12, Ss	4
▲	8 1019971	(008000–	) Harness, Warning / Backup [M20 & T20]	1

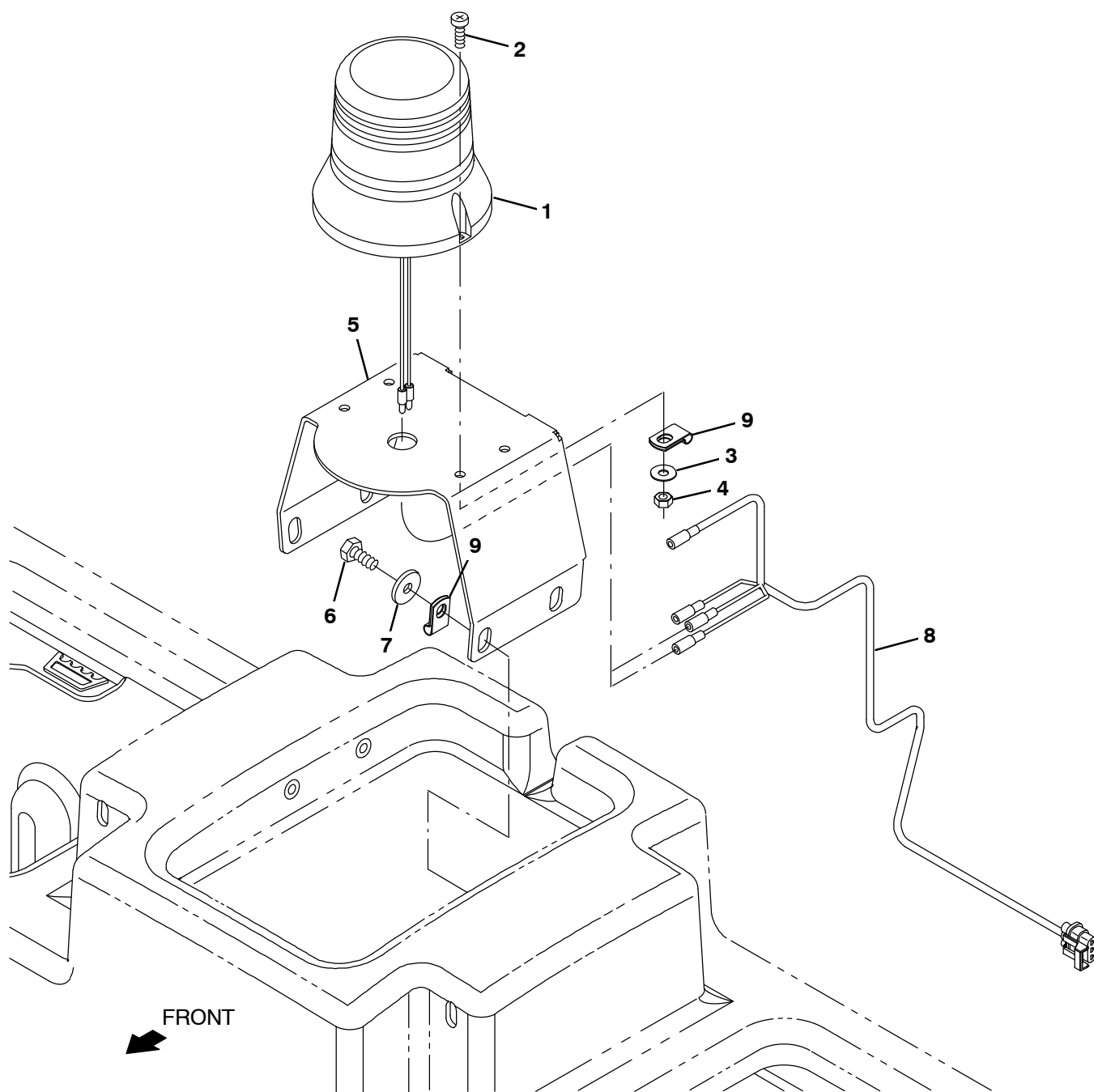
**Fig. 22 – Light Kit, Flashing**



354475

Ref.	Part No.	Serial Number	Description	Qty.
▽	9001327	(008000– )	Light Kit, Flsh, Ci [M20 And T20]	1
▲	1 1075283	(008000– )	Light, Strobe, Amb, 12–48vdc [Led]	1
▲	383820	(008000– )	Terminal, Bullet, Mal, .156d, 22–18ga	2
▲	2 24196	(008000– )	Screw, Pan, Phl, M5 X 0.80 X 20, Ss	2
▲	3 19066	(008000– )	Washer, Flat, 10	2
▲	4 09739	(008000– )	Nut, Hex, Lock, M5 X 0.80, NI, Ss	2
▲	5 1019445	(008000– )	Bracket, Sppt, Strobe Light	1
▲	6 09740	(008000– )	Screw, Hex, M8 X 1.25 X 20, Ss	4
▲	7 1017218	(008000– )	Washer, Flat, 0.32b 1.00d .12, Ss	4
▲	8 1019971	(008000– )	Harness, Warning / Backup [M20 & T20]	1
▲	9 46236	(008000– )	Clamp, Cable, Stl, 0.25D X 0.56W, 1Hole	2

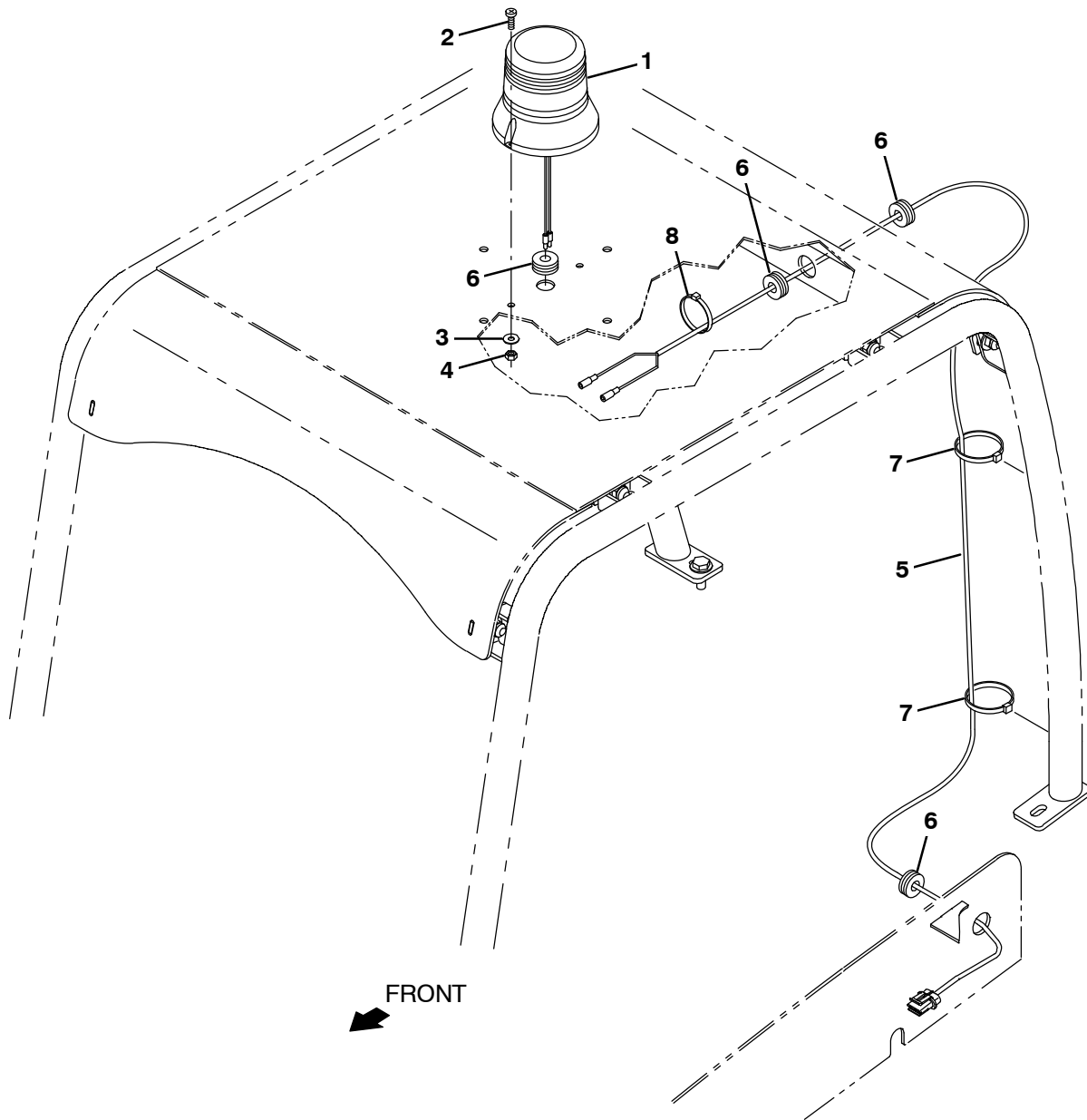
Fig. 23 - Light Kit, Strobe



354475

Ref.	Part No.	Serial Number	Description	Qty.
▽	9001331	(008000-	) Light Kit, Strobe, Ci [M20 And T20]	1
▲	1 1075283	(008000-	) Light, Strobe, Amb, 12-48vdc [Led]	1
▲	383820	(008000-	) Terminal, Bullet, Mal, .156d, 22-18ga	2
▲	2 24196	(008000-	) Screw, Pan, Phl, M5 X 0.80 X 20, Ss	2
▲	3 19066	(008000-	) Washer, Flat, 10	2
▲	4 09739	(008000-	) Nut, Hex, Lock, M5 X 0.80, NI, Ss	2
▲	5 1019445	(008000-	) Bracket, Sppt, Strobel Light	1
▲	6 09740	(008000-	) Screw, Hex, M8 X 1.25 X 20, Ss	4
▲	7 1017218	(008000-	) Washer, Flat, 0.32b 1.00d .12, Ss	4
▲	8 1019971	(008000-	) Harness, Warning / Backup [M20 & T20]	1
▲	9 46236	(008000-	) Clamp, Cable, Stl, 0.25D X 0.56W, 1Hole	2

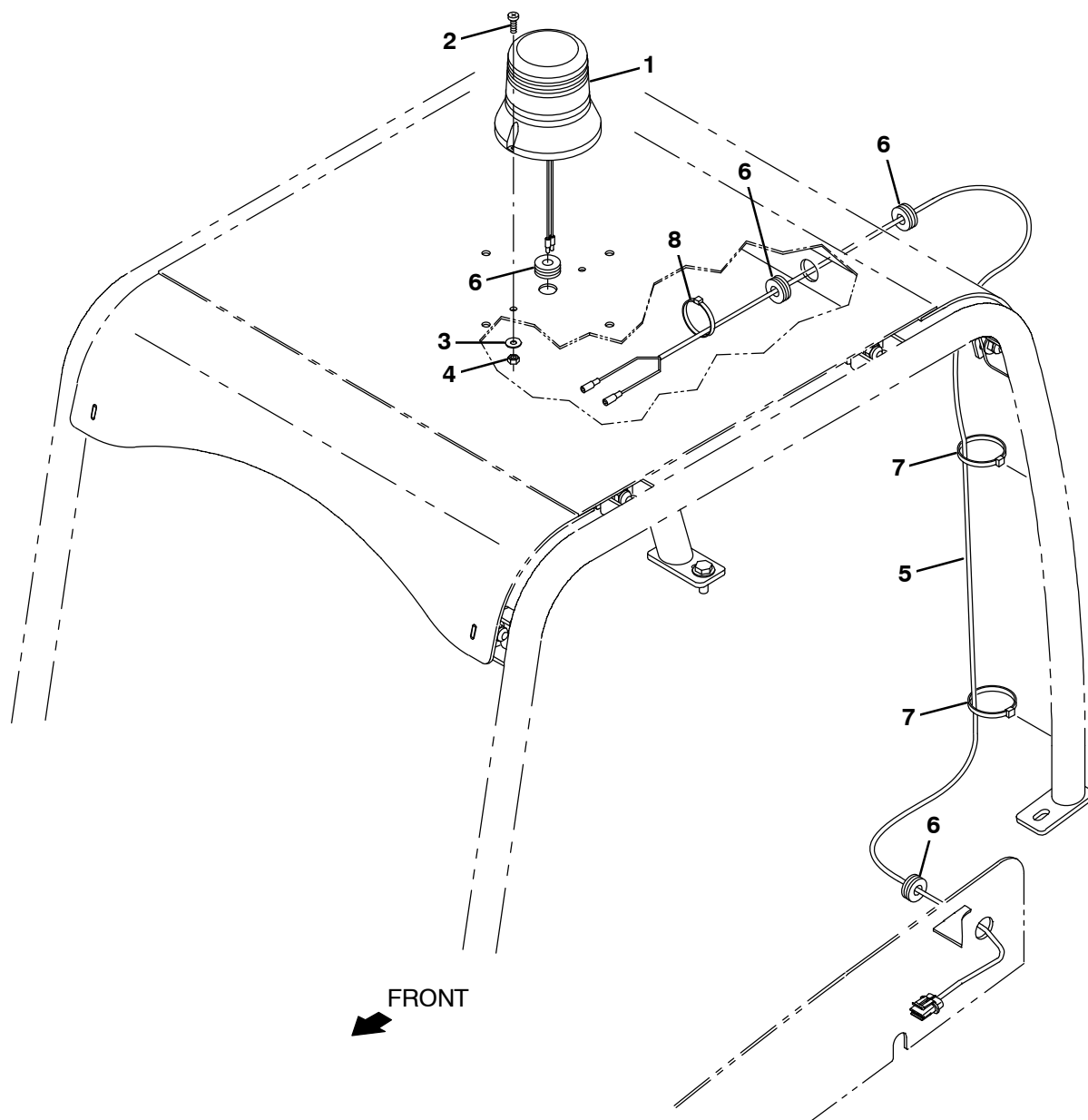
**Fig. 24 – Light Kit, Flashing Overhead Guard**



354477

Ref.	Part No.	Serial Number	Description	Qty.
▽	9001718	(008000–	) Light Kit, Flsh, W/Ohg, Ci[M20 And T20]	1
▲	1 1075283	(008000–	) Light, Strobe, Amb, 12–48vdc [Led]	1
▲	383820	(008000–	) Terminal, Bullet, Mal, .156d, 22–18ga	2
▲	2 24196	(008000–	) Screw, Pan, Phl, M5 X 0.80 X 20, Ss	2
▲	3 19066	(008000–	) Washer, Flat, 10	2
▲	4 09739	(008000–	) Nut, Hex, Lock, M5 X 0.80, NI, Ss	2
▲	5 1019647	(008000–	) Harness, Warning / Ohg [M20]	1
▲	6 10632–17	(008000–	) Grommet, Rbr, 0.50id, F/0.8h, .12 Matl	4
▲	7 763115	(008000–	) Tie, Cable, 6.0l, 1.25d Max	4
▲	8 49266	(008000–	) Tie, Cable, Nyl, 07.3l .19w 1.8 Max D	2

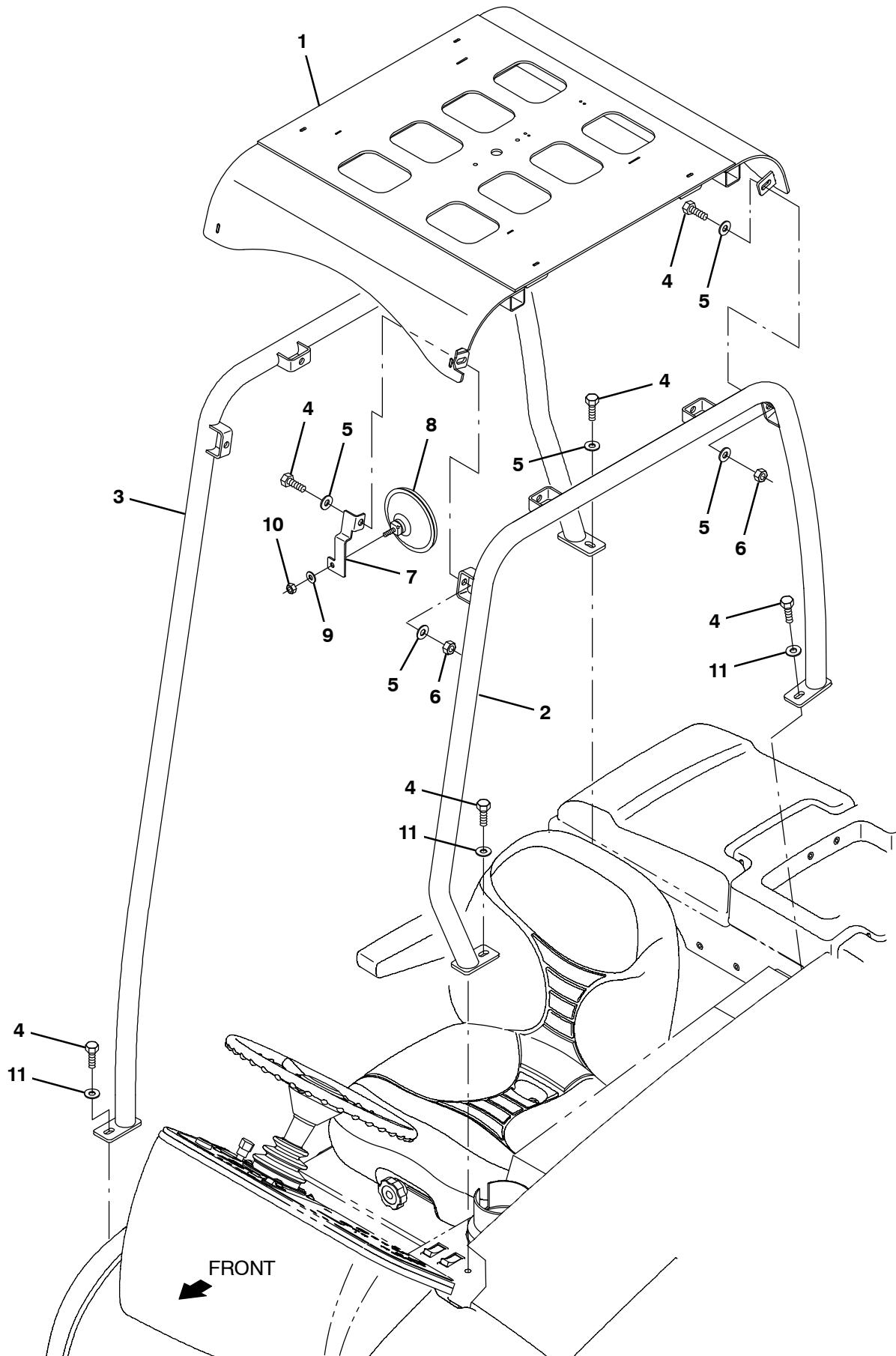
Fig. 25 – Light Kit, Strobe Overhead Guard



354477

Ref.	Part No.	Serial Number	Description	Qty.
▽	9001717	(008000–	) Light Kit, Strobe, W/Ohg, Ci [M20 And T20]	1
▲	1 1075283	(008000–	) Light, Strobe, Amb, 12–48vdc [Led]	1
▲	383820	(008000–	) Terminal, Bullet, Mal, .156d, 22–18ga	2
▲	2 24196	(008000–	) Screw, Pan, Phl, M5 X 0.80 X 20, Ss	2
▲	3 19066	(008000–	) Washer, Flat, 10	2
▲	4 09739	(008000–	) Nut, Hex, Lock, M5 X 0.80, NI, Ss	2
▲	5 1019647	(008000–	) Harness, Warning / Ohg [M20]	1
▲	6 10632–17	(008000–	) Grommet, Rbr, 0.50id, F/0.8h, .12 Matl	4
▲	7 763115	(008000–	) Tie, Cable, 6.0l, 1.25d Max	4
▲	8 49266	(008000–	) Tie, Cable, Nyl, 07.3l .19w 1.8 Max D	2

Fig. 26 – Overhead Guard Kit

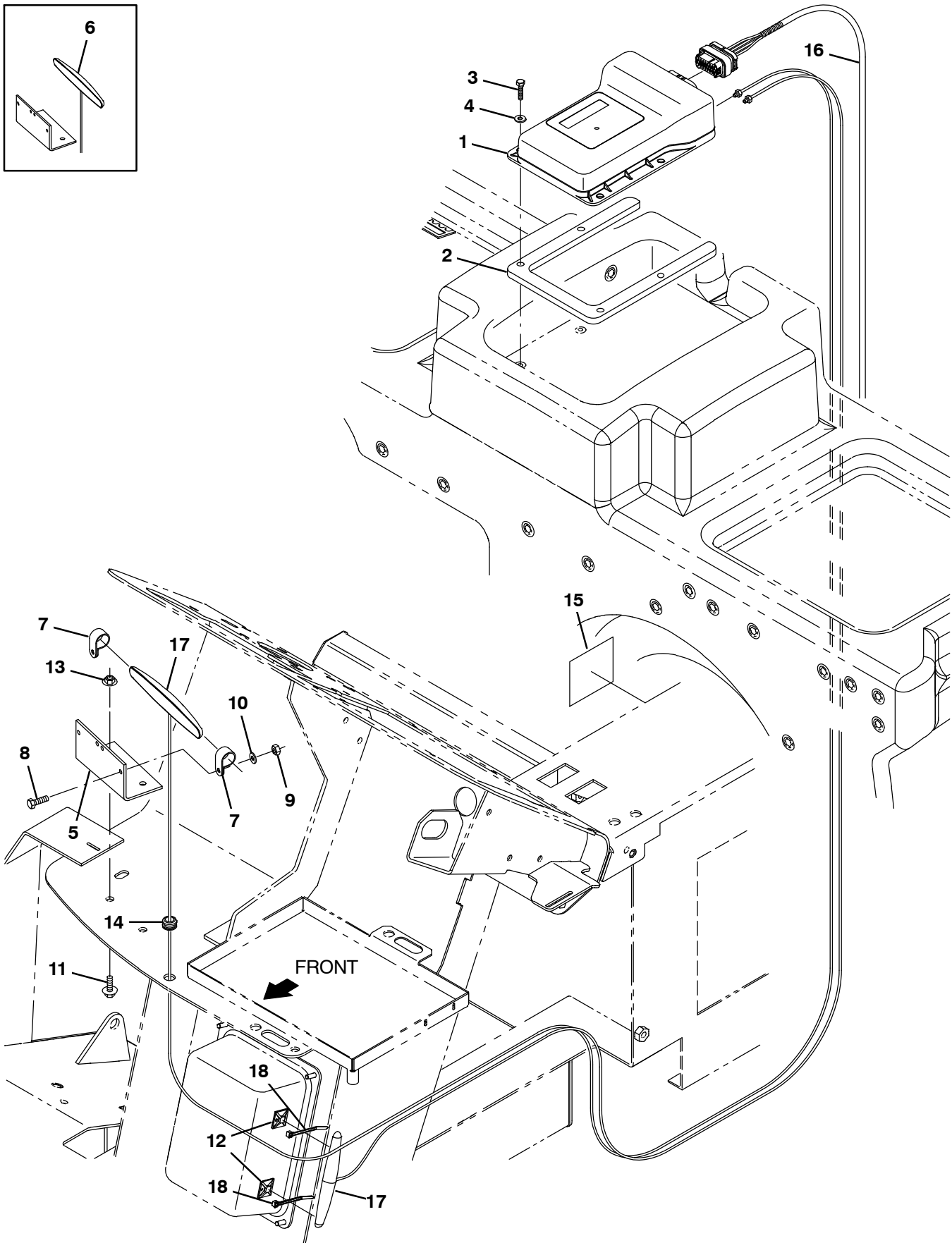
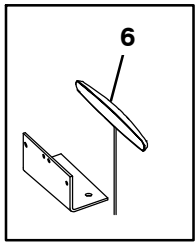




**Fig. 26 – Overhead Guard Kit**

	<b>Ref.</b>	<b>Part No.</b>	<b>Serial Number</b>	<b>Description</b>	<b>Qty.</b>
▽		9001314	(008000–	) Ohg Kit, Ci [M20 And T20]	1
▲	1	1022276	(008000–	) Guard Wldt, Top, Ohg	1
▲	2	1069241	(008000–	) Tube Wldt, Leg, Ohg, Lh, Pntd	1
▲	3	1069253	(008000–	) Tube Wldt, Leg, Ohg, Rh, Pntd	1
▲	4	03192	(008000–	) Screw, Hex, M10 X 1.5 X 30, 8.8	12
▲	5	32492	(008000–	) Washer, Flat, 0.38 Std	17
▲	6	41430	(008000–	) Nut, Hex, Lock, M10 X 1.5, NI	8
▲	7	1023879	(008000–	) Bracket, Mtg, Mirror, Rearview	1
▲	8	1050295	(008000–	) Mirror, Convex, 0.50D	1
▲	9	32491	(008000–	) Washer, Flat, 0.31, Std	1
▲	10	19313	(008000–	) Nut, Hex, Std, .31–18	1
▲	11	1014563	(008000–	) Washer, Flat, 0.40b 1.12d .12, Ss	3

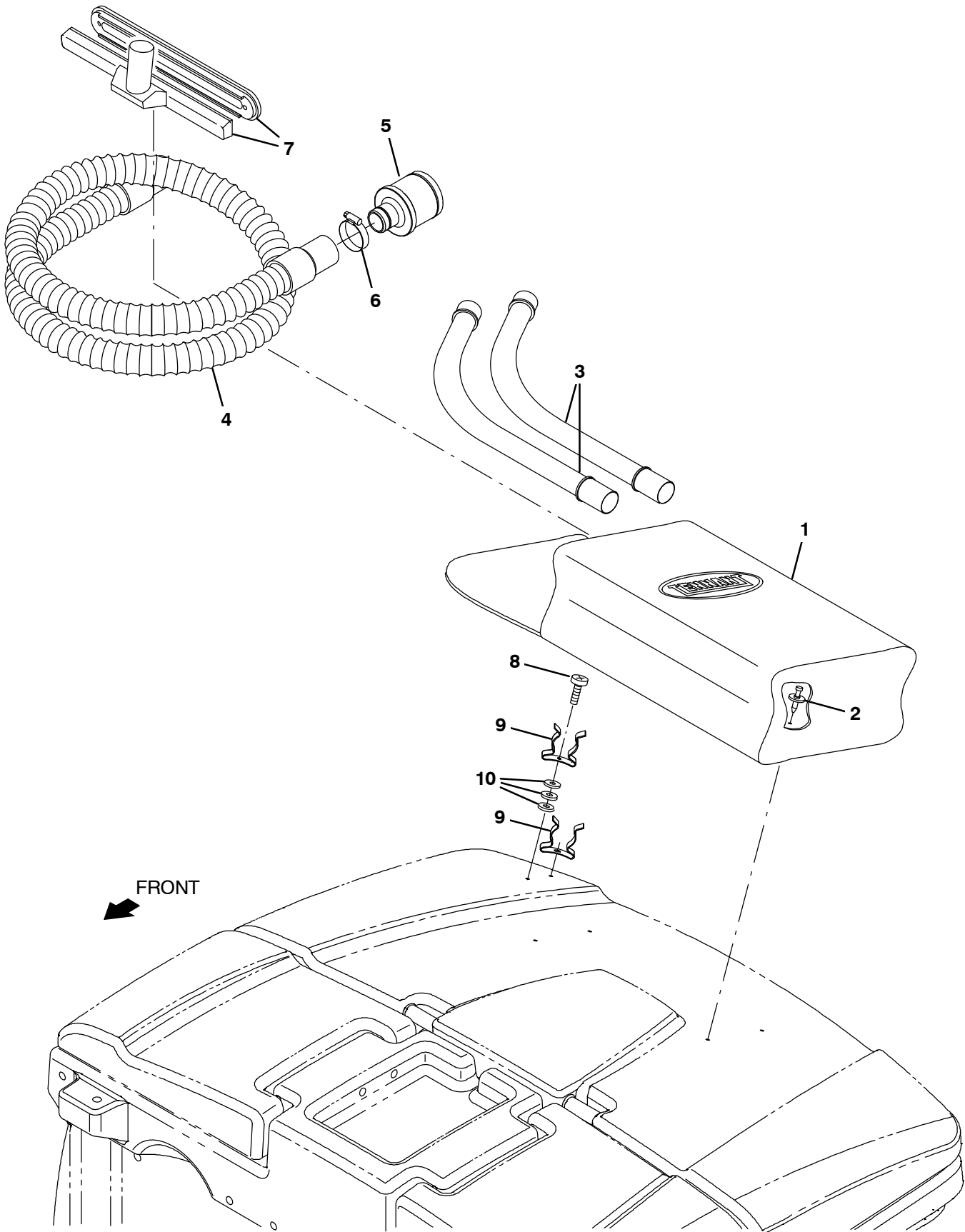
Fig. 27 - Telemetry Group



**Fig. 27 - Telemetry Group**

<b>Ref.</b>	<b>Part No.</b>	<b>Serial Number</b>	<b>Description</b>	<b>Qty.</b>
1	9010085	(008000-	) Control Box Assy Kit, Replmt, Telem [USA]	1
1	9010086	(008000-	) Control Box Assy Kit, Replmt, Telem [CAN]	1
2	1071062	(008000-	) Bracket, Spacer, Controlbox	1
3	09252	(008000-	) Screw,Hex, M5 X 0.80 X 29, 8.8	4
4	01683	(008000-	) Washer, Flat, 10, Ss	4
5	1070402	(008000-	) Angle, mtg, Antenna, Telem	1
6	1070659	(008000-011019	) Antenna, Telem, 70 In [Gprs]	1
7	140916	(008000-	) Clamp, Cable, Nyl, 0.62D, Nat	2
8	09244	(008000-	) Screw, Hex, M5 X 0.80 X 16, 8.8	2
9	06549	(008000-	) Nut, Hex, Lock, M5 X 0.80, NI	2
10	19066	(008000-	) Washer, Flat, 0.25b 0.56d .05, PI, 10	2
11	1040467	(008000-	) Screw, Hex, H6 X 1.00 X 20, 9.8, Sems	2
12	55248	(011020-	) Mount, Cable Tie	2
13	07790	(008000-	) Nut, Hex, Flng, M6 X 1.00	2
14	10632-12	(008000-	) Grommet, Rbr, 0.38id, F/0.5H, .12 Matl	1
15	1069580	(008000-	) Label, Opertnl, Telem [Fcc/lc]	1
16	1075143	(008000-	) Harness, Ele [Telem]	1
17	1248350	(011020-	) Antenna, Telem [4g, 180"]	2
18	763114	(011020-	) Tie, Cable, 11.3l, 2.75d Max	2

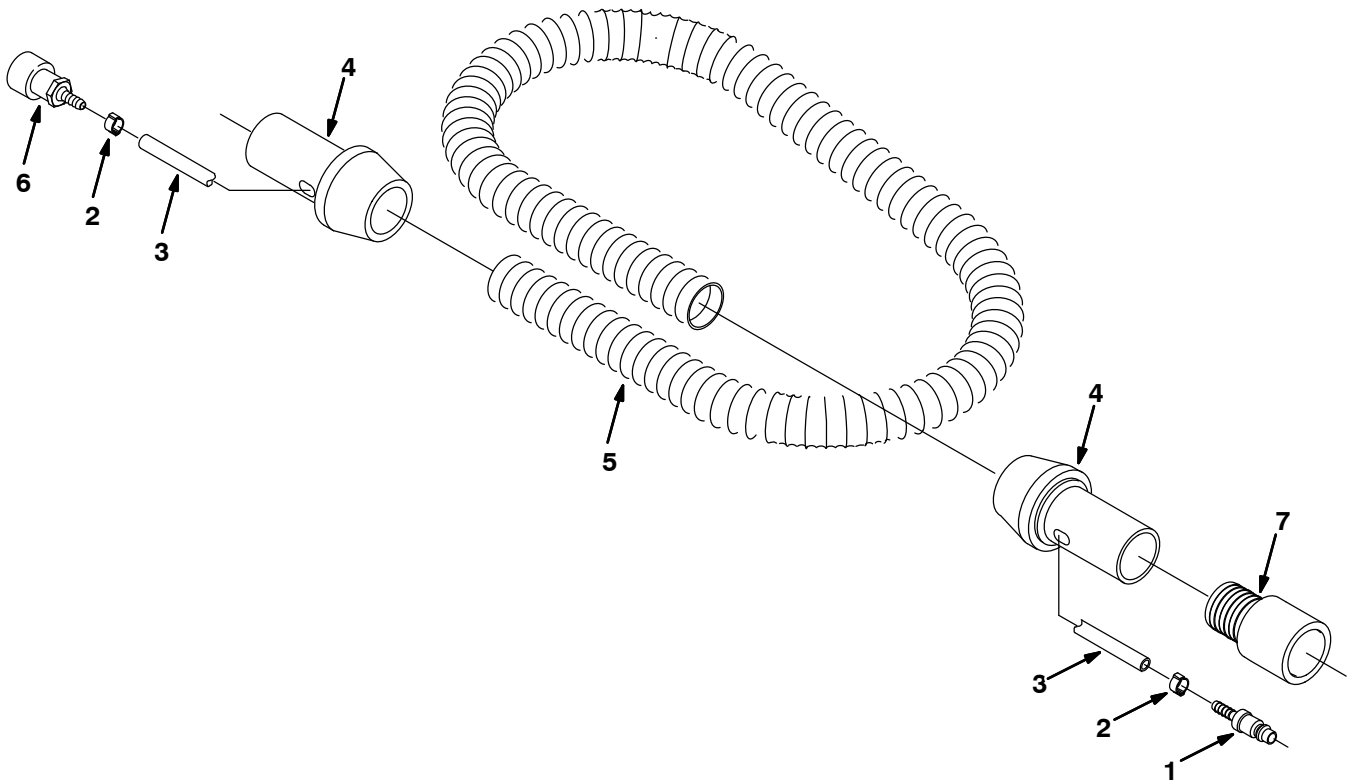
Fig. 28 – Vacuum Wand Kit



**Fig. 28 - Vacuum Wand Kit**

	<b>Ref.</b>	<b>Part No.</b>	<b>Serial Number</b>	<b>Description</b>	<b>Qty.</b>
▽		9003134	(008000-	) Wand Kit, Vac, Sqge, Ci [T20]	1
▲	1	65580	(008000-	) Bag, Power	1
▲	2	72968	(008000-	) Rivet, Plstc, .250 X 0.898	4
▲	3	190722	(008000-	) Wand, Chm, Dbl Bend [1 Pk= 1 Box Of 2pc]	1
▲	4	86767	(008000-	) Hose Assy, W/2cuff, 1.5d 90l 1.5/1.5	1
▲	5	1029396	(008000-	) Fitting, Alm, Str, Bm24/Bm48	1
▲	6	79381	(008000-	) Clamp, Hose, Wormdrive, 1.25-2.00D, .50W	1
▲	7	13840	(008000-	) Nozzle Assy, Tool, Wand, 14.0 Inch	1
▲	8	55845	(008000-	) Screw, Hex, M5 X 0.8 X 16, Fmg	2
▲	9	67004	(008000-	) Clip, Grip, Finger, 1.00-1.88d White,Vyl	2
▲	10	19064	(008000-	) Washer, Flat, #06	6

Fig. 29 – Power Wand Hose Assembly



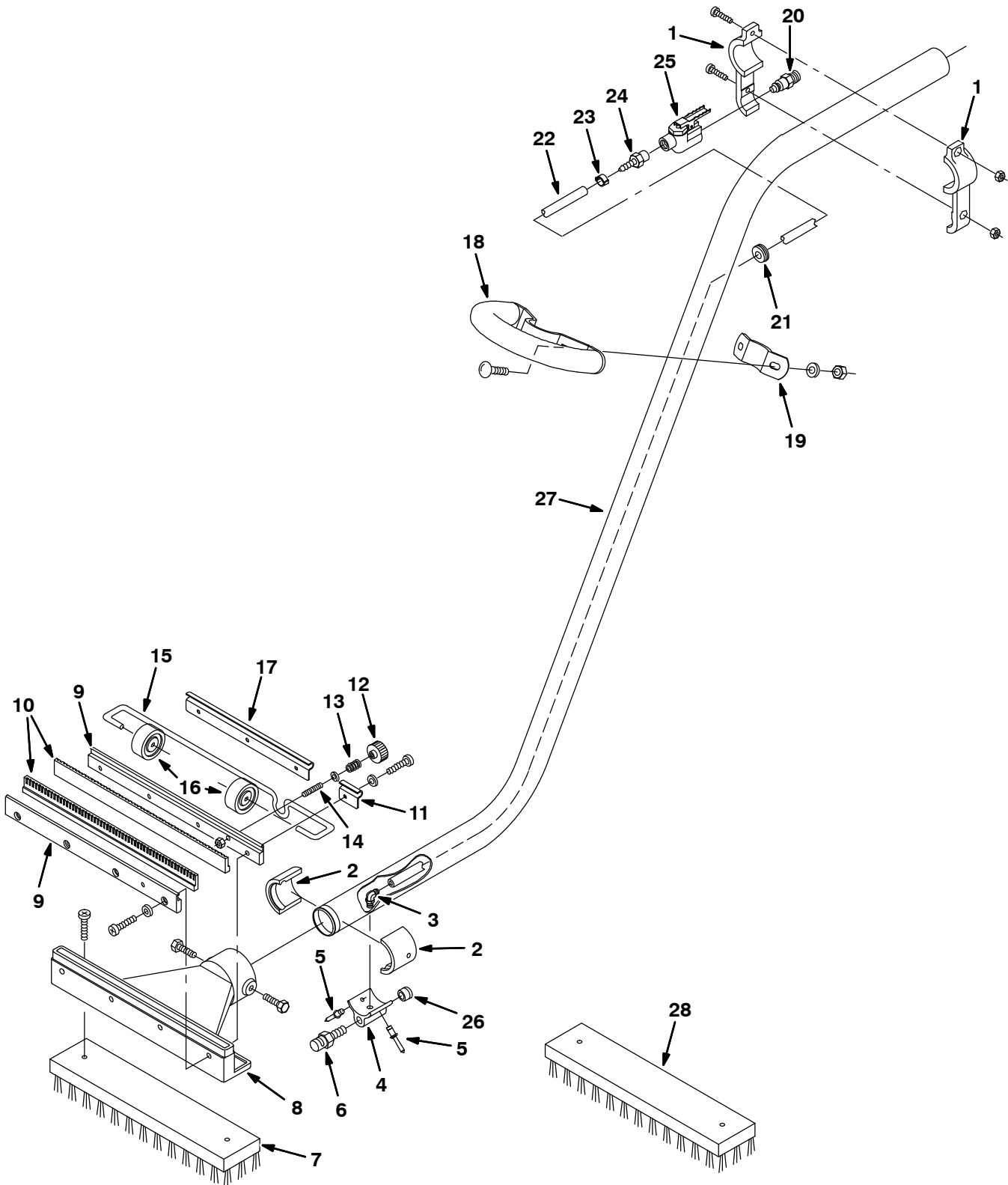
**Fig. 29 – Power Wand Hose Assembly**

*NOTE: Power Wand Kit, Tennant Part Number 9003138, includes; Fig. 29, Fig. 30, and Fig. 31.*

*NOTE: Power Wand Kit with spray nozzle, Tennant Part Number 9003137, includes; Fig. 29, Fig. 30, and Fig. 32.*

	<b>Ref.</b>	<b>Part No.</b>	<b>Serial Number</b>	<b>Description</b>	<b>Qty.</b>
▽		65341	(008000–	) Hose Assy, Wand, Power	1
▲	1	578318000	(008000–	) Fitting, Stl, Qdc, Bm04	1
▲	2	578160000	(008000–	) Clamp, Hose, Ear, 11–13mm, Ss	2
▲	3	578820000	(008000–	) Hose, Pvc, Brd, 0.25id 0.44od 157.2l,Clr	1
▲	4	578072000	(008000–	) Cuff, Swivel, 1.5 Blk	2
▲	5	578276000	(008000–	) Hose, Vacuum, 1.50id X 10ft, Gray	1
▲	6	578071000	(008000–	) Fitting, Brs, Qdc, Bm04/Pf04	1
	7	1029396	(008000–	) Fitting, Alm, Str, Bm24/Bm48	1

Fig. 30 – Power Wand Assembly





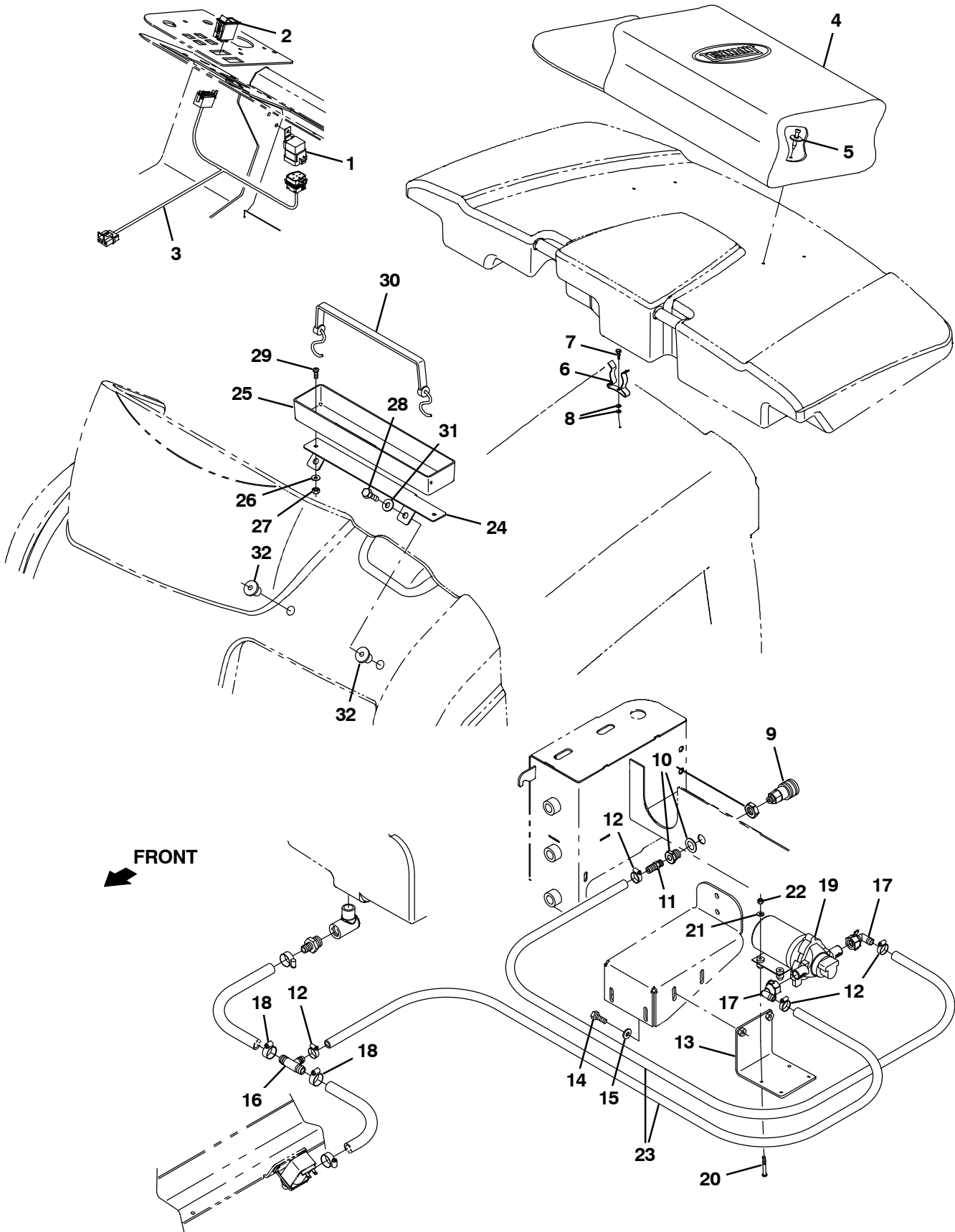
**Fig. 30 – Power Wand Assembly**

NOTE: Power Wand Kit, Tennant Part Number 9003138, includes; Fig. 29, Fig. 30, and Fig. 31.

NOTE: Power Wand Kit with spray nozzle, Tennant Part Number 9003137, includes; Fig. 29, Fig. 30, and Fig. 32.

Ref.	Part No.	Serial Number	Description	Qty.
▽	65340	(008000–	) Wand Assy, Power	1
▲	1 578077000	(008000–	) Bracket, Wand, Valve Mtg	1
▲	2 578061000	(008000–	) Adapter, Head / Wand [17b/E]	2
▲	3 578214000	(008000–	) Fitting, Plstc, E90, Bm04/Pm02	1
▲	4 579112	(008000–	) Fitting Spray Nozzle Adapter	1
▲	5 602036000	(008000–	) Rivet, Blind [S2500 Drvblock]	2
▲	6 578066000	(008000–	) Fitting, Brs, Tip [75, .125k–Jet]	1
▲	7 65610	(008000–	) Brush, Power Wand, W/ FaSTener, Pyp	1
▲	8 578063000	(008000–	) Head, Wand [17b/E]	1
▲	9 578078000	(008000–	) Retainer, Sqge, Wand [17b/E]	2
▲	10 578074000	(008000–	) Blade, Sqge, 300.8mml, Wand [17b/E, G]	2
▲	11 578124000	(008000–	) Bracket, Axle, 1 Hole [17b/E]	1
▲	12 578439	(008000–	) Nut, Thumb, M6 X 1.0, 30d	1
▲	13 578228000	(008000–	) Spring, Cmpr, 0.40od .04wir 00.6l, Ss	1
▲	14 578143000	(008000–	) Screw, Set, M6 X 1.00 X 40, Ss [Cuppt]	1
▲	15 578126000	(008000–	) Axle, Wand [17b/E]	1
▲	16 578125000	(008000–	) Wheel, 41.3d 19.1w, Rbr	2
▲	17 578123000	(008000–	) Bracket, Axle, 3 Hole [17b/E]	1
▲	18 578155000	(008000–	) Handle Wldt, Wand	1
▲	19 578154000	(008000–	) Bracket, Wand, Handle	1
▲	20 578091000	(008000–	) Fitting, Brs, Qdc, Pm04, Plug	1
▲	21 578164000	(008000–	) Grommet, 0.38id, F/0.6h, .06 Matl	1
▲	22 578821000	(008000–	) Hose, Pyu, 0.25id 0.38od 1220mml, Blk	1
▲	23 578161000	(008000–	) Clamp, Hose, Ear, 8–11mm, Ss	2
▲	24 578094000	(008000–	) Fitting, Nyl, Str, Bm04/Pm04	1
▲	25 578064000	(008000–	) Valve, Cntrl, Water	1
▲	26 150208	(008000–	) Fitting, Brs, Str, Pm02, Plug [Skhd]	1
▲	27 578060000	(008000–	) Wand, Dbl Bend, 38.1mmd	1
▲	28 65582	(008000–	) Brush, Power Wand, W/ FaSTener, Abr	1

Fig. 31 – Power Wand Pump and Mount Group

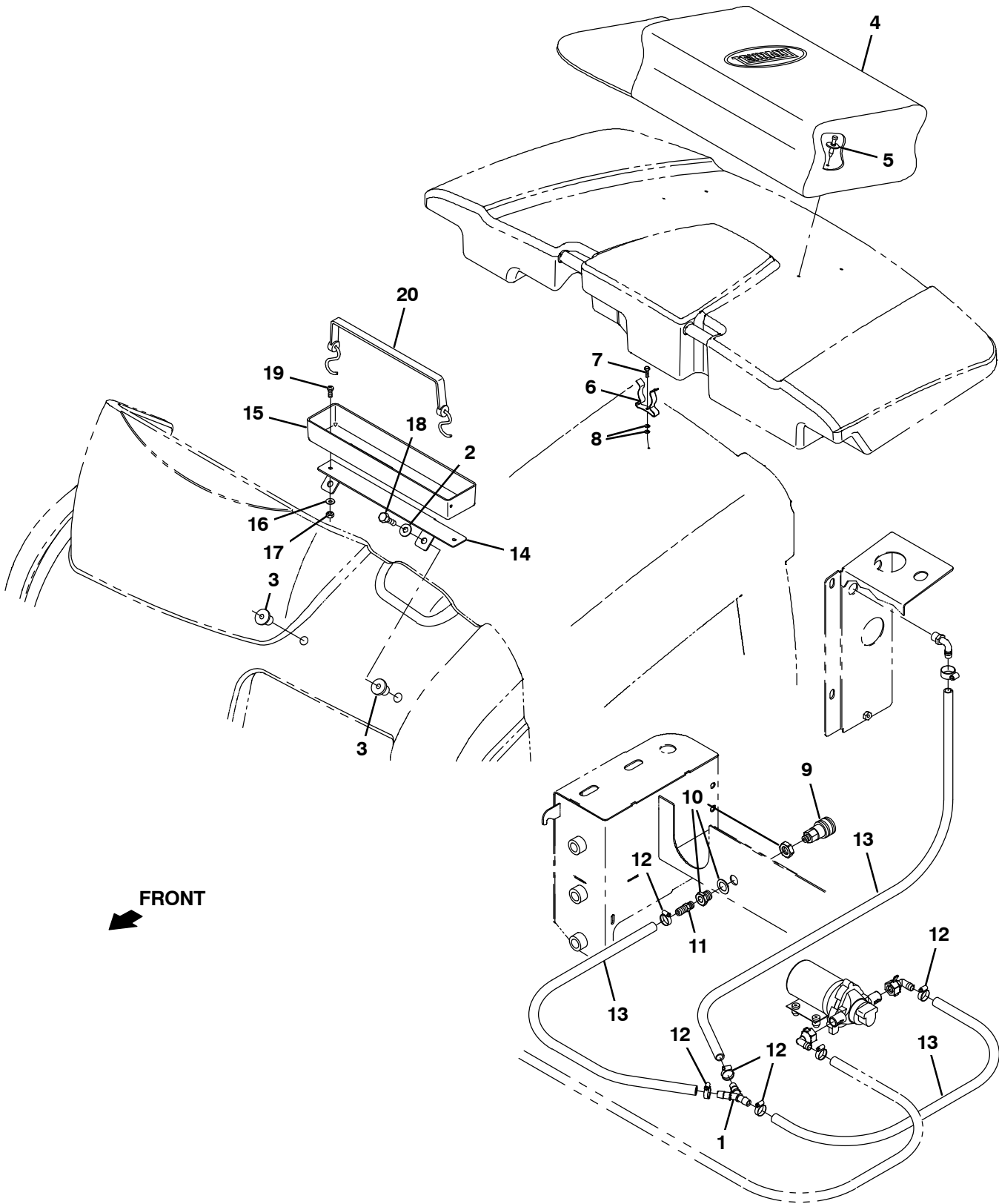


**Fig. 31 – Power Wand Pump and Mount Group**

NOTE: Power Wand Kit, Tennant Part Number 9003138, includes; Fig. 29, Fig. 30, and Fig. 31.

Ref.	Part No.	Serial Number	Description	Qty.
1	56186	(008000–	) Relay, 12vdc, 040a, Spdt No	1
2	398500	(008000–	) Switch, Rocker, Dpdt, On / None / On	1
3	1021881	(008000–	) Harness, Spray, Nozzle	1
4	65580	(008000–	) Bag, Power	1
5	72968	(008000–	) Rivet, Plstc, .250d X 0.90	4
6	67004	(008000–	) Clip, Grip, Finger, 1.00–1.88d White,Vyl	1
7	09228	(008000–	) Screw, Hex, M4 X 0.7 X 20, 8.8	1
8	19064	(008000–	) Washer, Flat, #06	2
9	65342	(008000–	) Fitting, Brs, Qdc, Pm04/Qf06	1
10	78122	(008000–	) Fitting, Brs, Str, Pf04/Pf04, Bh	1
11	48610	(008000–	) Fitting, Plstc, Str, Bm08/Pm04	1
12	54333	(008000–	) Clamp, Hose, Wormdrive, 0.31–0.88d, .31w	4
13	1023585	(008000–	) Bracket, Mtg, Pump	1
14	09740	(008000–	) Screw, Hex, M8 X 1.25 X 20, Ss	2
15	32491	(008000–	) Washer, Flat, 0.31, Std	2
16	1015486	(008000–	) Fitting, Plstc, Tee, Bm08/Bm10/Bm10, Br	1
17	1018499	(008000–	) Fitting, Plstc, E90, Bm08/Pf08s, Swivel	2
18	63810	(008000–	) Clamp, Hose, Wormdrive, 0.56–1.06d, .56w	2
19	1026743	(008000–	) Pump, Diaphragm	1
20	06939	(008000–	) Screw, Pan, M5 X 0.80 X 45, 4.8	4
21	19066	(008000–	) Washer, Flat, #10	4
22	06549	(008000–	) Nut, Hex, Lock, M5 X 0.80, NI	4
23	1011837	(008000–	) Hose, Afmkt, Pvc, Brd, 0.50id, 12ft, Clr	1
24	1030407	(008000–	) Bracket, Mtg, Wand	1
25	61212	(008000–	) Tray	1
26	01684	(008000–	) Washer,Flat 0.25, Ss	2
27	08712	(008000–	) Nut, Hex, Lock, M6 X 1.00, Ss, NI	2
28	21198	(008000–	) Screw, Hex, .38–16 X 1.25, G5	2
29	367770	(008000–	) Screw, Pan, M6 X 1.0 X 16, Ss	2
30	57769	(008000–	) Strap, Rbr, 13.2l [2/S Hooks]	1
31	32492	(008000–	) Washer, Flat, 0.38, Std	2
32	397648	(008000–	) Nut, Isolator, .38–16 Wall Th .015–.437	2

Fig. 32 – Power Wand Pump and Mount Group with Spray Nozzle



**Fig. 32 – Power Wand Pump and Mount Group with Spray Nozzle**

*NOTE: Power Wand Kit with spray nozzle, Tennant Part Number 9003137, includes; Fig. 29, Fig. 30, and Fig. 32.*

<b>Ref.</b>	<b>Part No.</b>	<b>Serial Number</b>	<b>Description</b>	<b>Qty.</b>
1	1010668	(008000–	) Fitting, Plstc, Y, Bm08/Bm08/Bm08, Nyl	1
2	32492	(008000–	) Washer, Flat, 0.38, Std	2
3	397648	(008000–	) Nut, Isolator, .38–16 Wall Th .015–.437	2
4	65580	(008000–	) Bag, Power	1
5	72968	(008000–	) Rivet, Plstc, .250d X 0.90	4
6	67004	(008000–	) Clip, Grip, Finger, 1.00–1.88d White,Vyl	1
7	09228	(008000–	) Screw, Hex, M4 X 0.7 X 20, 8.8	1
8	19064	(008000–	) Washer, Flat, #06	2
9	65342	(008000–	) Fitting, Brs, Qdc, Pm04/Qf06	1
10	78122	(008000–	) Fitting, Brs, Str, Pf04/Pf04, Bh	1
11	48610	(008000–	) Fitting, Plstc, Str, Bm08/Pm04	1
12	54333	(008000–	) Clamp, Hose, Wormdrive, 0.31–0.88d, .31w	4
13	1011837	(008000–	) Hose, Afmkt, Pvc, Brd, 0.50id, 12ft, Clr	1
14	1030407	(008000–	) Bracket, Mtg, Wand	1
15	61212	(008000–	) Tray	1
16	01684	(008000–	) Washer,Flat 0.25, Ss	2
17	08712	(008000–	) Nut, Hex, Lock, M6 X 1.00, Ss, NI	2
18	21198	(008000–	) Screw, Hex, .38–16 X 1.25, G5	2
19	367770	(008000–	) Screw, Pan, M6 X 1.0 X 16, Ss	2
20	57769	(008000–	) Strap, Rbr, 13.2l [2/S Hooks]	1

**Fig. 33 - Spray Nozzle Kit**

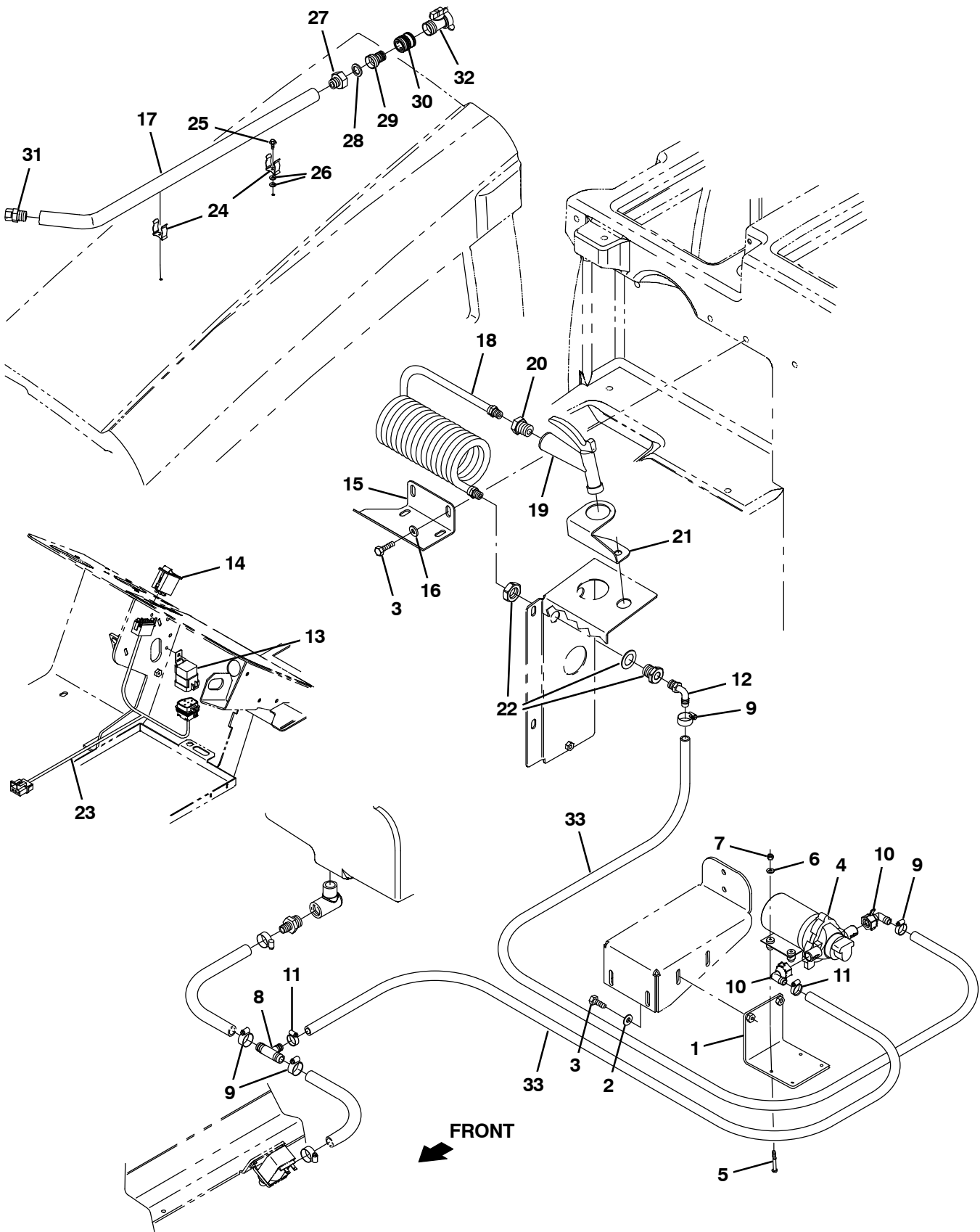
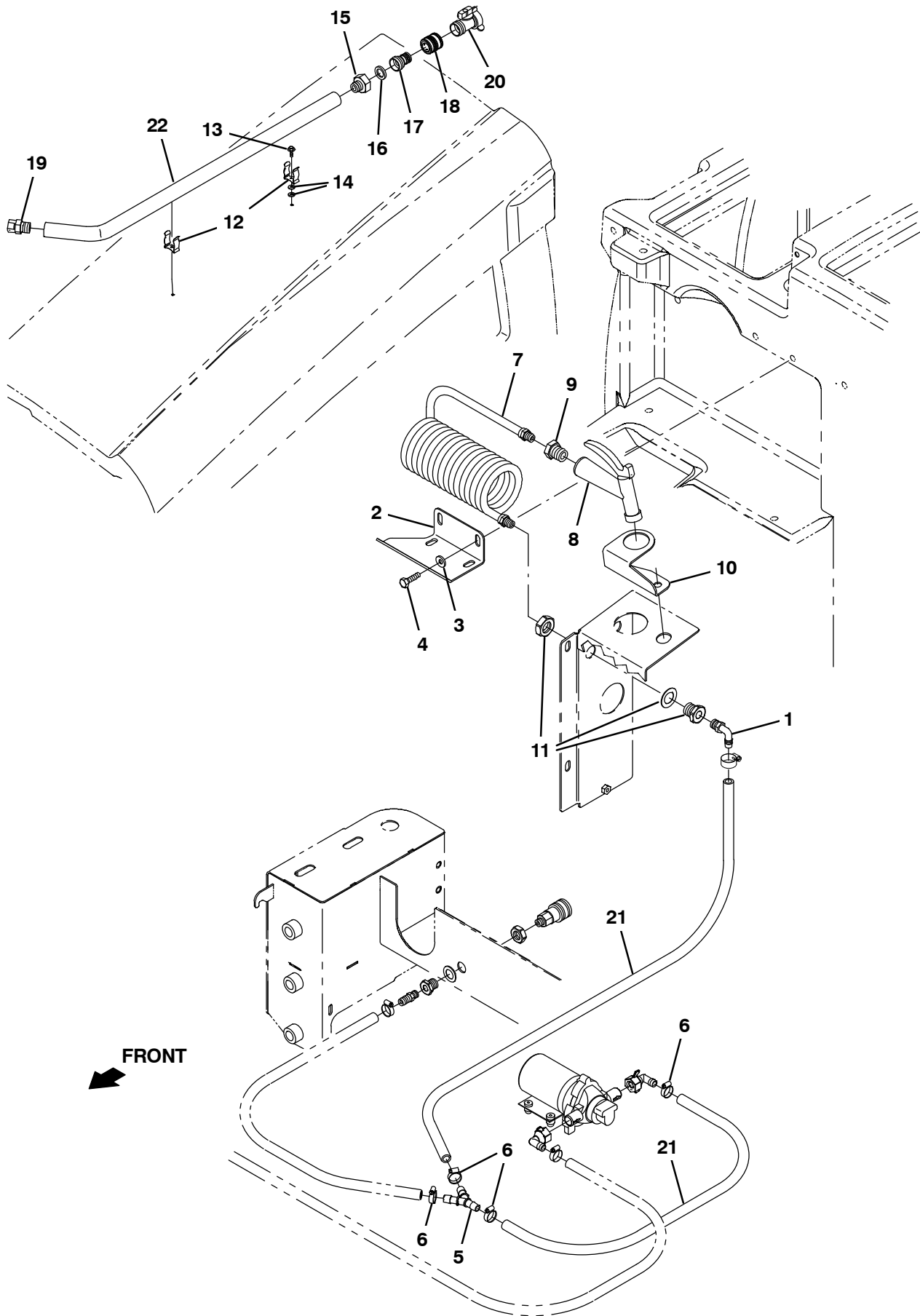


Fig. 33 - Spray Nozzle Kit

Ref.	Part No.	Serial Number	Description	Qty.
▽	9003139	(008000-	) Nozzle kit, Spray, Ci [T20]	1
▲	1 1023585	(008000-	) Bracket, Mtg, Pump	1
▲	2 32491	(008000-	) Washer, Flat, 0.31, Std	2
▲	3 09740	(008000-	) Screw, Hex, M8 X 1.25 X 20, Ss	4
▲	4 1026743	(008000-	) Pump, Diaphragm	1
▲	5 06939	(008000-	) Screw, Pan, M5 X 0.80 X 45, 4.8	4
▲	6 19066	(008000-	) Washer, Flat, #10	4
▲	7 06549	(008000-	) Nut, Hex, Lock, M5 X 0.80, NI	4
▲	8 1015486	(008000-	) Fitting, Plstc, Tee, Bm08/Bm10/Bm10, Br	1
▲	9 63810	(008000-	) Clamp, Hose, Wormdrive, 0.56-1.06d, .56w	4
▲	10 1018499	(008000-	) Fitting, Plstc, E90, Bm08/Pf08s, Swivel	1
▲	11 54333	(008000-	) Clamp, Hose, Wormdrive, 0.31-0.88d, .31w	2
▲	12 64778	(008000-	) Fitting, Plstc, E90, Bm08/Pm06	1
▲	13 56186	(008000-	) Relay, 12vdc, 040a, Spdt No	1
▲	14 398500	(008000-	) Switch, Rocker, Dpdt, On / None / On	1
▲	15 1029790	(008000-	) Bracket, Mtg, Spray Wand [FaST, Conv]	1
▲	16 1017218	(008000-	) Washer, Flat, 0.32b 1.00d .12, Ss	2
▲	17 1029055	(008000-	) Wand, Clean-Out	1
▲	18 1019250	(008000-	) Hose, Water, Coil, 0.38id 0.56od	1
▲	19 769785	(008000-	) Nozzle, Spray, Gun	1
▲	20 1027976	(008000-	) Fitting, Brs, Str, Pf06/Pm12	1
▲	21 1027237	(008000-	) Bracket, Mtg, Spray Handle	1
▲	22 1027978	(008000-	) Fitting, Brs, Str, Pf06/Pf06 Bh	1
▲	23 1021881	(008000-	) Harness, Spray, Nozzle	1
▲	24 1029057	(008000-	) Clip, Grip, Finger, .875-1.25	2
▲	25 20394	(008000-	) Screw, Hex, #10-16 X 0.62, Fmg [Ab]	2
▲	26 01683	(008000-	) Washer, Flat, #10, Ss	4
▲	27 375321	(008000-	) Fitting, Brs, Str, Pm08/Garden Hose	1
▲	28 01316	(008000-	) Washer, Flat, 0.66b 1.00d .12, Rbr	1
▲	29 1029153	(008000-	) Fitting, Brs, Spcl [Garden Hose]	1
▲	30 1029155	(008000-	) Coupling, Nozzle, Spray	1
▲	31 1029156	(008000-	) Nozzle	1
▲	32 1029399	(008000-	) Valve, Shutoff	1
▲	33 1011837	(008000-	) Hose, Afmkt, Pvc, Brd, 0.50id, 12ft, Clr	1

Fig. 34 – Spray Nozzle Kit with Power Wand



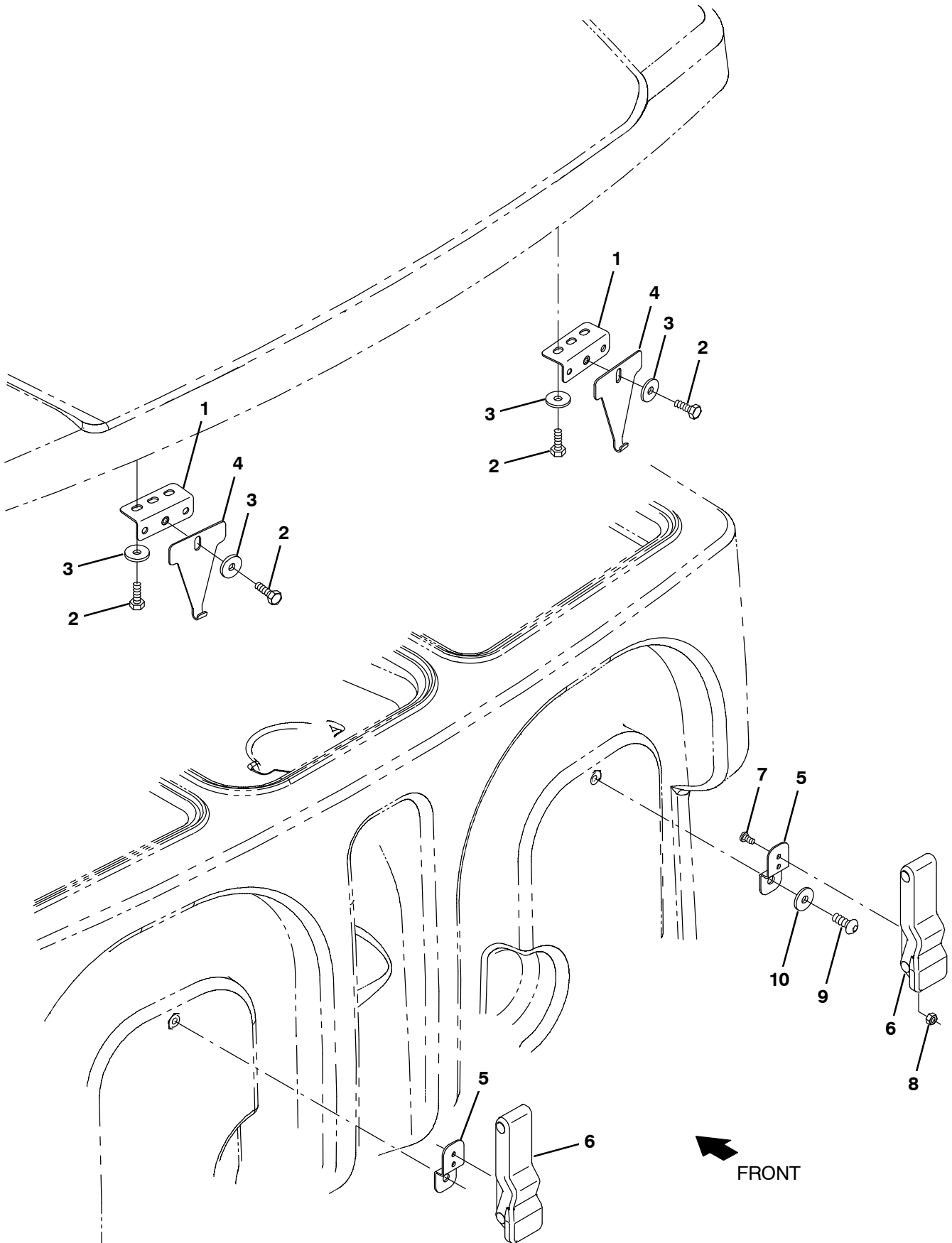
FRONT  
➔



Fig. 34 - Spray Nozzle Kit with Power Wand

Ref.	Part No.	Serial Number	Description	Qty.
▽	9003282	(008000-	) Nozzle Kit, Spray, W/Pwr Wand, Ci [T20]	1
▲	1 64778	(008000-	) Fitting, Plstc, E90, Bm08/Pm06	1
▲	2 1029790	(008000-	) Bracket, Mtg, Spray Wand [FaST, Conv]	1
▲	3 1017218	(008000-	) Washer, Flat, 0.32b 1.00d .12, Ss	2
▲	4 09740	(008000-	) Screw, Hex, M8 X 1.25 X 20, Ss	2
▲	5 1010668	(008000-	) Fitting, Plstc, Y, Bm08/Bm08/Bm08, Nyl	1
▲	6 63810	(008000-	) Clamp, Hose, Wormdrive, 0.56-1.06d, .56w	4
▲	7 1019250	(008000-	) Hose, Water, Coil, 0.38id 0.56od	1
▲	8 769785	(008000-	) Nozzle, Spray, Gun	1
▲	9 1027976	(008000-	) Fitting, Brs, Str, Pf06/Pm12	1
▲	10 1027237	(008000-	) Bracket, Mtg, Spray Handle	1
▲	11 1027978	(008000-	) Fitting, Brs, Str, Pf06/Pf06 Bh	1
▲	12 1029057	(008000-	) Clip, Grip, Finger, .875-1.25	2
▲	13 20394	(008000-	) Screw, Hex, #10-16 X 0.62, Fmg [Ab]	2
▲	14 01683	(008000-	) Washer, Flat, #10, Ss	4
▲	15 375321	(008000-	) Fitting, Brs, Str, Pm08/Garden Hose	1
▲	16 01316	(008000-	) Washer, Flat, 0.66b 1.00d .12, Rbr	1
▲	17 1029153	(008000-	) Fitting, Brs, Spcl [Garden Hose]	1
▲	18 1029155	(008000-	) Coupling, Nozzle, Spray	1
▲	19 1029156	(008000-	) Nozzle	1
▲	20 1029399	(008000-	) Valve, Shutoff	1
▲	21 1011837	(008000-	) Hose, Afmkt, Pvc, Brd, 0.50id, 12ft, Clr	1
▲	22 1029055	(008000-	) Wand, Clean-Out	1

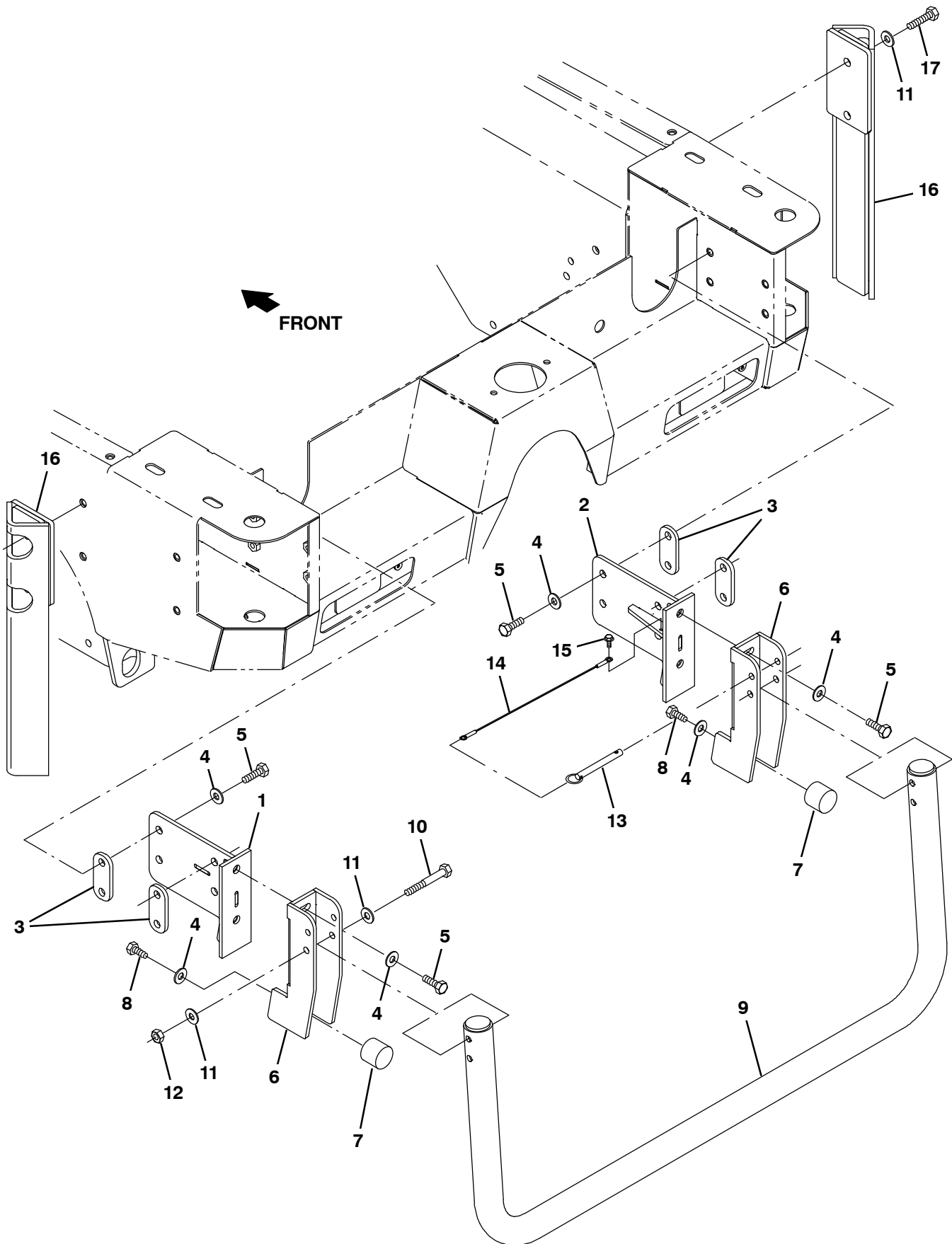
Fig. 35 – Transport Kit



**Fig. 35 - Transport Kit**

	<b>Ref.</b>	<b>Part No.</b>	<b>Serial Number</b>	<b>Description</b>	<b>Qty.</b>
▽		9003143	(008000-	) Transport Kit, Ci [T20]	1
▲	1	1040800	(008000-	) Bracket, Latch, Cover	2
▲	2	09744	(008000-	) Screw, Hex, M6 X 1.0 X 12, Ss	6
▲	3	01684	(008000-	) Washer, Flat, 0.25, Ss	6
▲	4	1040633	(008000-	) Plate, Hook, Latch	2
▲	5	1020526	(008000-	) Bracket, Retaining, Hose	2
▲	6	1222019	(008000-	) Latch, Yellow	2
▲	7	09200	(008000-	) Screw, Pan, M5 X 0.8 X 12, Ss	4
▲	8	09739	(008000-	) Nut, Hex, Lock, M5 X 0.80, NI, Ss	4
▲	9	393135	(008000-	) Screw, Btn, M8 X 1.25 X 20, Blk	2
▲	10	32491	(008000-	) Washer, Flat, 0.31, Std	2

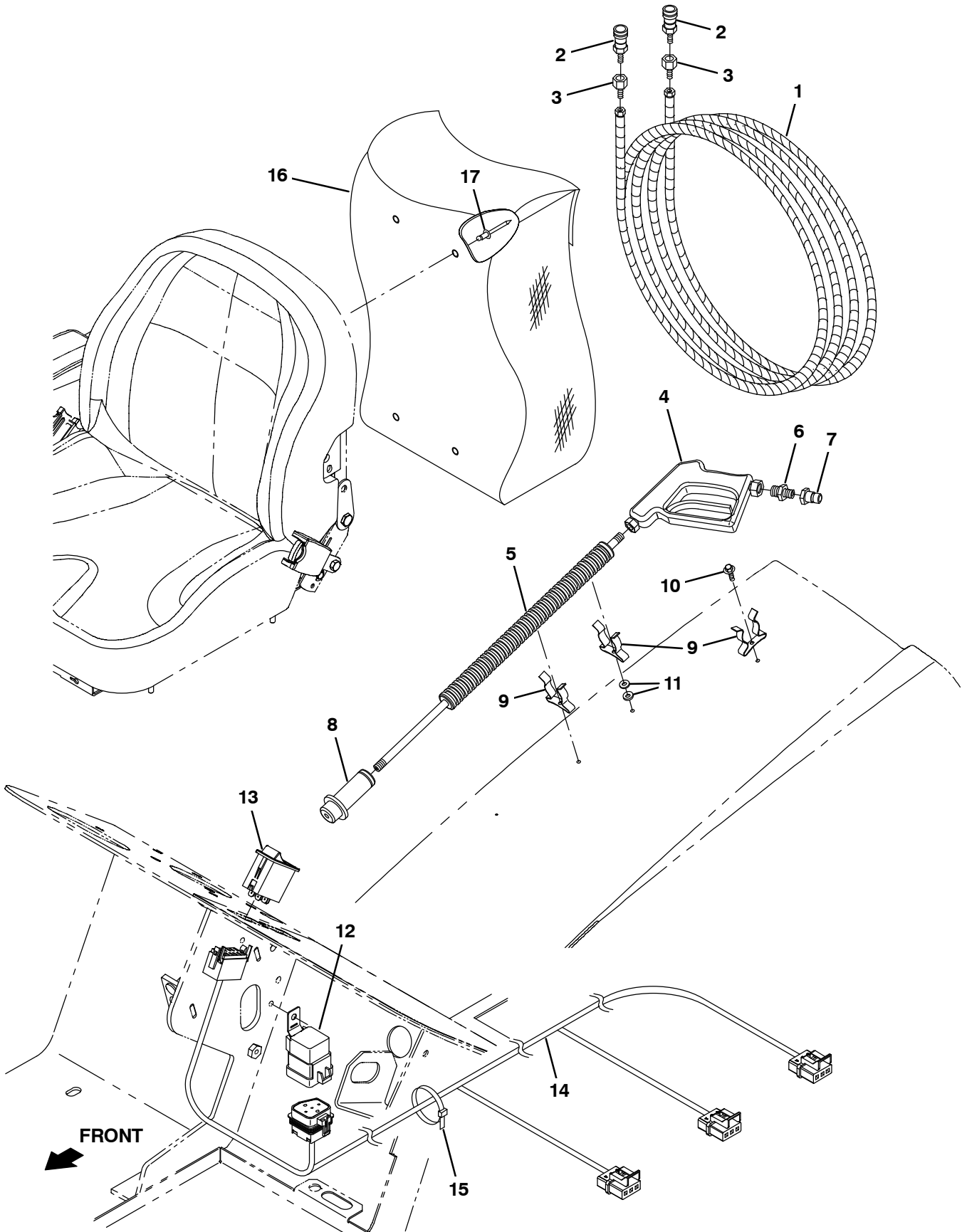
Fig. 36 – Squeegee Guard Kit



**Fig. 36 - Squeegee Guard Kit**

	<b>Ref.</b>	<b>Part No.</b>	<b>Serial Number</b>	<b>Description</b>	<b>Qty.</b>
▽		9003135	(008000-	) Guard Kit, Sqge, Ci [T20]	1
▲	1	1030557	(008000-	) Support Wldt, Sqge, Lh Rear	1
▲	2	1030503	(008000-	) Support Wldt, Sqge, Rh Rear	1
▲	3	1030522	(008000-	) Link, .25 1.4w 3.2l 2/.5h	4
▲	4	01686	(008000-	) Washer, Flat, 0.44b 1.00d .08, Ss	14
▲	5	12317	(008000-	) Screw, Hex, M10 X 1.5 X 30, Ss	12
▲	6	1030515	(008000-	) Channel Wldt, Guard, Sqge	1
▲	7	1024977	(008000-	) Bumper, Ure, 1.50d 1.25l	2
▲	8	21196	(008000-	) Screw, Hex, .38-16 X 0.88, G5	2
▲	9	1054338	(008000-	) Guard Wldt, Sqge	1
▲	10	06965	(008000-	) Screw, Hex, M10 X 1.5 X 80, 8.8	2
▲	11	32492	(008000-	) Washer, Flat, 0.38, Std	8
▲	12	41430	(008000-	) Nut, Hex, Lock, M10 X 1.5, NI	2
▲	13	369359	(008000-	) Pin, Hitch, .375d X 3.12l, PI	1
▲	14	57702	(008000-	) Cable, Glv .06d 012.0l .26eye /.26eye	1
▲	15	223198	(008000-	) Screw, Hex, M5 X 0.8 X 10, Fmg	1
▲	16	1045444	(008000-	) Guard Wldt, Sqge [M20/T20/M30]	2
▲	17	06962	(008000-	) Screw, Hex, M10 X 1.5 X 45, 8.8	4

Fig. 37 - Pressure Washer Mount Group



**Fig. 37 – Pressure Washer Mount Group**

<b>Ref.</b>	<b>Part No.</b>	<b>Serial Number</b>	<b>Description</b>	<b>Qty.</b>
1	1039056	(008000–	) Hose, Rbr, 25ft	1
2	1042051	(008000–	) Fitting, Ss, Qdc, Fem	2
3	1042772	(008000–	) Fitting, Brs, Str, Pf06/Pm04	2
4	1039042	(008000–	) Handle, Gun, Trigger	1
5	1039044	(008000–	) Wand, Str, Ss, 28l	1
6	1044428	(008000–	) Fitting, Brs, Str, Pm04/Pm06 [Hp]	1
7	1042191	(008000–	) Fitting, Ss, Qdc, Mal	1
8	1041935	(008000–	) Nozzle, Spray [Pressure Washer]	1
9	67004	(008000–	) Clip, Grip, Finger, 1.00–1.88d White,Vyl	3
10	20394	(008000–	) Screw, Hex, 10–16 X 0.62, Fmg/Ab, Pl	3
11	01683	(008000–	) Washer, Flat, 10, Ss	6
12	56186	(008000–	) Relay, 12vdc, 040a, Spdt No	1
13	1040899	(008000–	) Switch, Rocker, Prgrsv	1
14	1074983	(008000–	) Harness, Ele [Press. Wash]	1
15	49266	(008000–	) Tie, Cable, Nyl, 07.3l .19w 1.8 Max D	5
16	65580	(008000–	) Bag, Power	1
17	72968	(008000–	) Rivet, Plstc, .250D X 0.90	2

Fig. 38 - Pressure Washer Solution Group

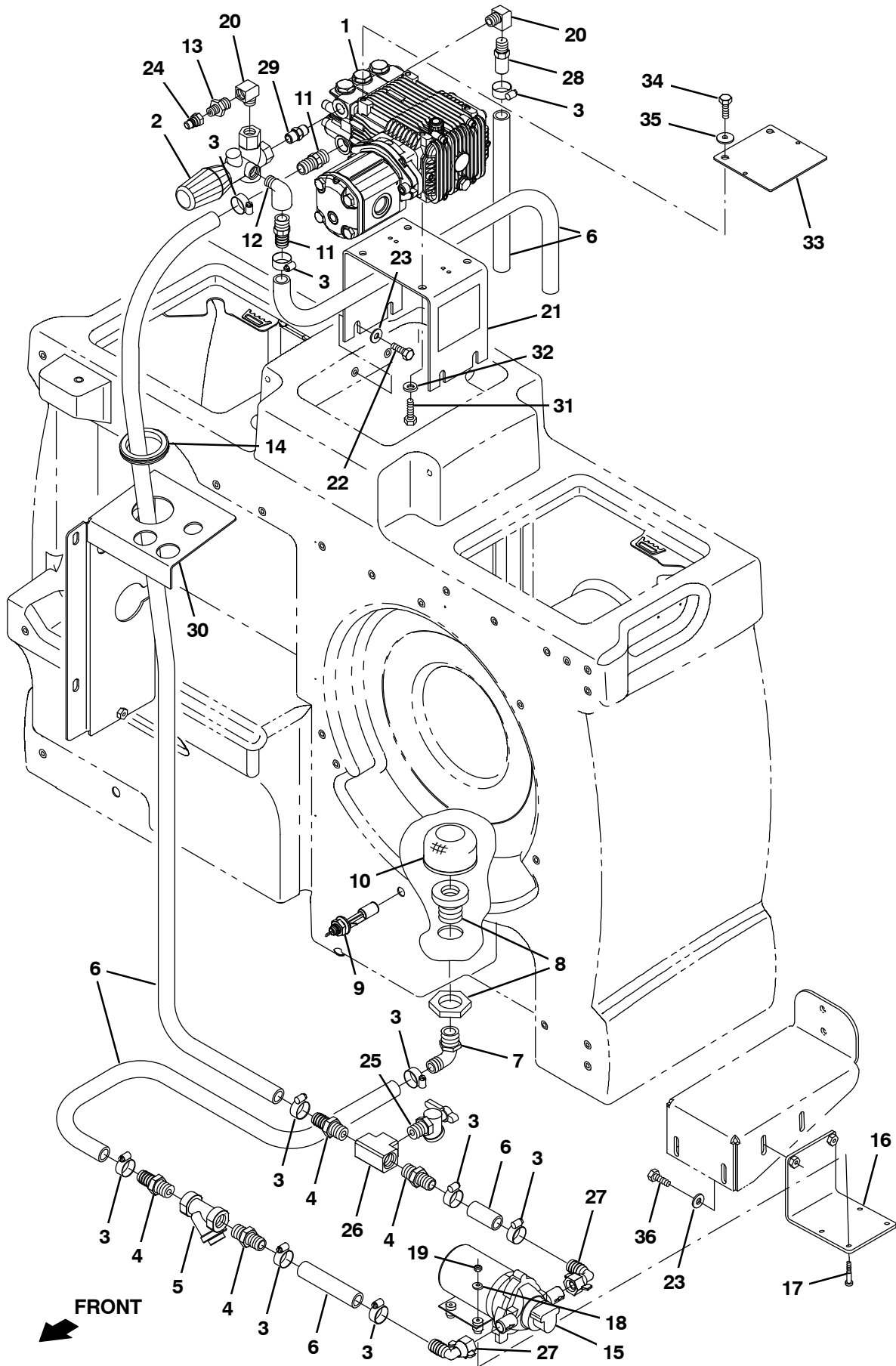
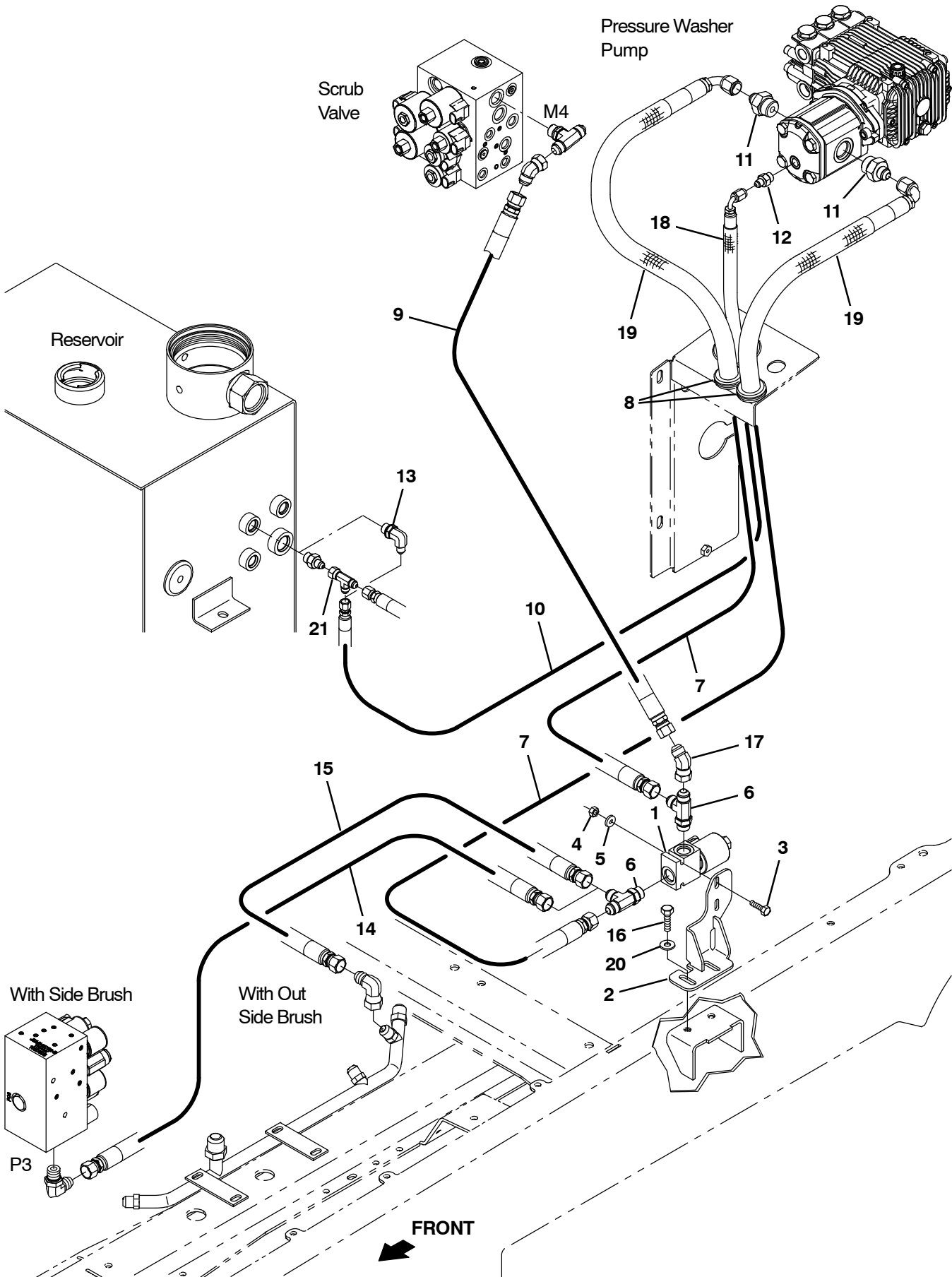




Fig. 38 - Pressure Washer Solution Group

Ref.	Part No.	Serial Number	Description	Qty.
1	1225829	(008000-	) Pump, Hyd, Press Washer	1
2	1039046	(008000-	) Valve, Needle	1
3	63810	(008000-	) Clamp, Hose, Wormdrive, 0.56-1.06d, .56w	10
4	377334	(008000-	) Fitting, Brs, Str, Bm12/Pm12	4
5	1039037	(008000-	) Filter, Y, In-Line, .75	1
6	1045034	(008000-	) Hose, Afmkt, Pvc, Wir, 0.75id, 08ft, Clr	1
7	1041351	(008000-	) Fitting, Brs, E90, Bm12/Pm12	1
8	377349	(008000-	) Fitting, Plstc, Pf12/Pf12, Bh	1
9	385685	(008000-	) Sensor, Level, Liq, 14vdc 01a .62-11	1
10	1027290	(008000-	) Filter, Soltn, 020mesh, Pm12 3.1d 02.6l	1
11	1042859	(008000-	) Fitting, Brs, Str, Bm12/Pm08	2
12	1042579	(008000-	) Fitting, Brs, E90, Pf08/Pm06	1
13	1044428	(008000-	) Fitting, Brs, Str, Pm04/Pm06 [Hp]	1
14	10632-19	(008000-	) Grommet, Rbr, 2.13id, F/2.5h, .12 Matl	1
15	1026743	(008000-	) Pump, Diaphragm	1
16	1023585	(008000-	) Plate, Mtg, Pump	1
17	06939	(008000-	) Screw, Pan, Phl, M5 X 0.80 X 45, 4.8	4
18	19066	(008000-	) Washer, Flat, 0.25b 0.56d .05, Pl, 10	4
19	06549	(008000-	) Nut, Hex, Lock, M5 X 0.80, NI	2
20	24584	(008000-	) Fitting, Brs, E90, Pf06/Pm06, Spcl	2
21	9016315	(008000-	) Bracket, Mtg, Pump, Hp, Replmt	1
22	15675	(008000-	) Screw, Hex, M8 X 1.25 X 16, Ss	1
23	32491	(008000-	) Washer, Flat, 0.31, Std	3
24	1042191	(008000-	) Fitting, Ss, Qdc, Mal	1
25	1224328	(008000-	) Valve, Drain, Pm12, Qtr Turn	1
26	1224329	(008000-	) Fitting, Tee, Pf12/Pf12/Pf12, Brs	1
27	1231375	(008000-	) Fitting, Plstc, E90, Bm12/Pf08	2
28	1227137	(008000-	) Valve, Hyd, Press Washer	1
29	1224331	(008000-	) Fitting, Brs, Str, Pm06/ Pm06	1
30	1225174	(008000-	) Bracket Wldt, Mtg	1
31	16931	(008000-	) Screw, Hex, M8 X 1.25 X 20, 8.8	3
32	1017218	(008000-	) Washer, Flat, 0.32b 1.00d .12, Ss	3
33	1225146	(008000-	) Plate, Mtg, Light, Hp Spray (Flashing or Strobe Light Option Only)	1
34	16391	(008000-	) Channel, .18, 2.5w 1.3 01.0l, 1/0.5h (Flashing or Strobe Light Option Only)	2
35	1017218	(008000-	) Washer, Flat, 0.32b 1.00d .12, Ss (Flashing or Strobe Light Option Only)	2
36	09740	(008000-	) Screw, Hex, M8 X 1.25 X 20, Ss	2

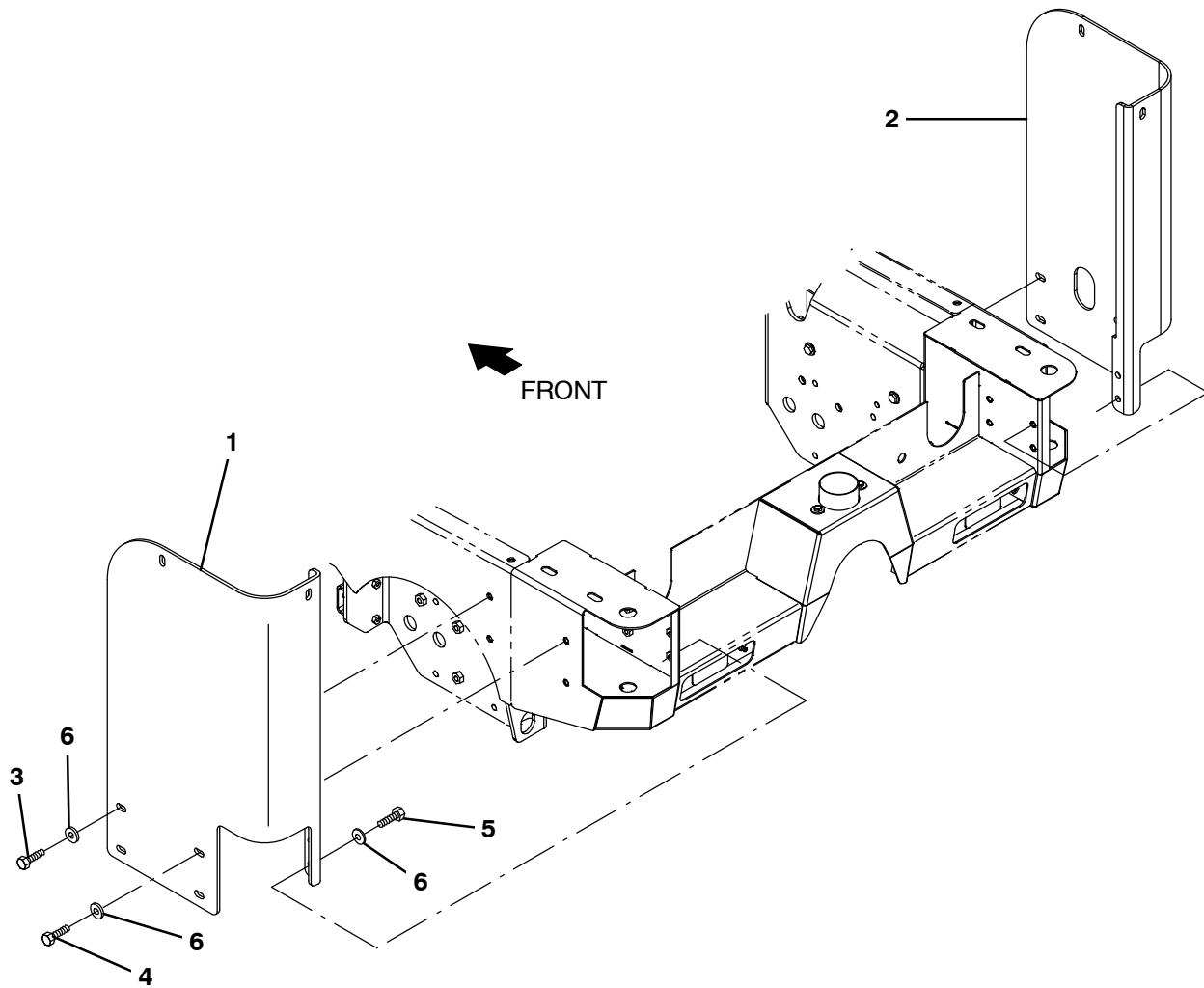
**Fig. 39 – Pressure Washer Hydraulic Hoses Group**



**Fig. 39 – Pressure Washer Hydraulic Hoses Group**

<b>Ref.</b>	<b>Part No.</b>	<b>Serial Number</b>	<b>Description</b>	<b>Qty.</b>
1	1038571	(008000–	) Valve, Hyd, Press Washer	1
2	1225144	(008000–	) Bracket, Valve, Mtg	1
3	06949	(008000–	) Screw, Hex, M6 X 1.00 X 50, 8.8	2
4	08712	(008000–	) Nut, Hex, Lock, M6 X 1.00, NI, Ss	2
5	32490	(008000–	) Washer, Flat, 0.25, Std	2
6	40755	(008000–	) Fitting, Hyd, Tee, Jm08/Jm08/Om08, Run	2
7	1226044	(008000–	) Hose, Hyd, Tc08, Jfoee90/Jf08str, 72	2
8	10632-14	(008000–	) Grommet, Rbr, 1.00id, F/1.4h, .12 Matl	2
9	1036965	(008000–	) Hose, Hyd, Tc08, Jf08str/Jf08str, 034.0	1
10	34379	(008000–	) Hose, Hyd, Med04, Jf04e90/Jf04str, 072.0	1
11	42227	(008000–	) Fitting, Hyd, Str, Jm08/Om12	2
12	55685	(008000–	) Fitting, Hyd, Str, Jm04/Om06	1
13	47638	(008000–	) Fitting, Hyd, E90, Jm04/Om06	1
14	1037072	(008000–	) Hose, Hyd, Tc08, Jf08str/Jf08str, 052.0	1
15	361037	(008000–	) Hose, Hyd, Med08, Jf08str/Jf08str, 027.0	1
16	09010	(008000–	) Screw, Hex, M8 X 1.25 X 25, Ss	2
17	07797	(008000–	) Fitting, Hyd, E45, Jf08/Jm08	1
18	1224326	(008000–	) Sleeve, Nyl, 0.69id 20.0l [Asb11]	1
19	1224327	(008000–	) Sleeve, Nyl, 1.06id 22.0l [Asb15]	2
20	32491	(008000–	) Washer, Flat, 0.31, Std	2
21	57988	(008000–	) Fitting, Hyd, Tee, Jf04/Jm04/Jm04, Run (DISK HEAD ONLY)	1

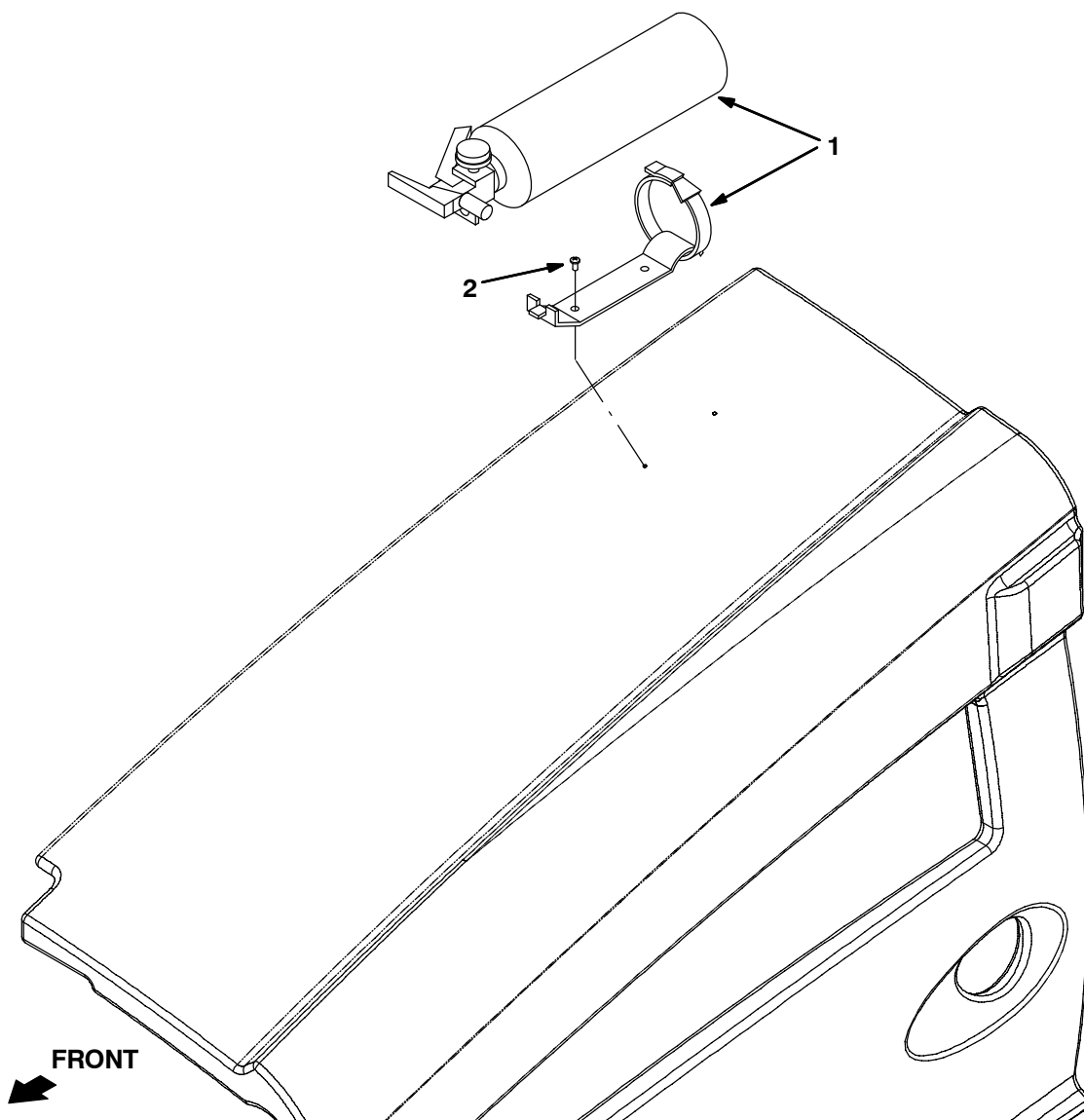
**Fig. 40 – Heavy Duty Bumper Kit**



354537 – T20

Ref.	Part No.	Serial Number	Description	Qty.
▽	9003142	(008000–	) Bumper Kit, Hd, Ci [T20]	1
▲	1 1027850	(008000–	) Plate, Bmpr, Lh	1
▲	2 1027588	(008000–	) Plate, Bmpr, Rh	1
▲	3 06962	(008000–	) Screw, Hex, M10 X 1.50 X 45, 8.8	4
▲	4 09028	(008000–	) Screw, Hex, M10 X 1.50 X 25, Ss	4
▲	4 03192	(008000–	) Screw, Hex, M10 X 1.50 X 30, 8.8	4
▲	4 32492	(008000–	) Washer, Flat, 0.38, Std	12

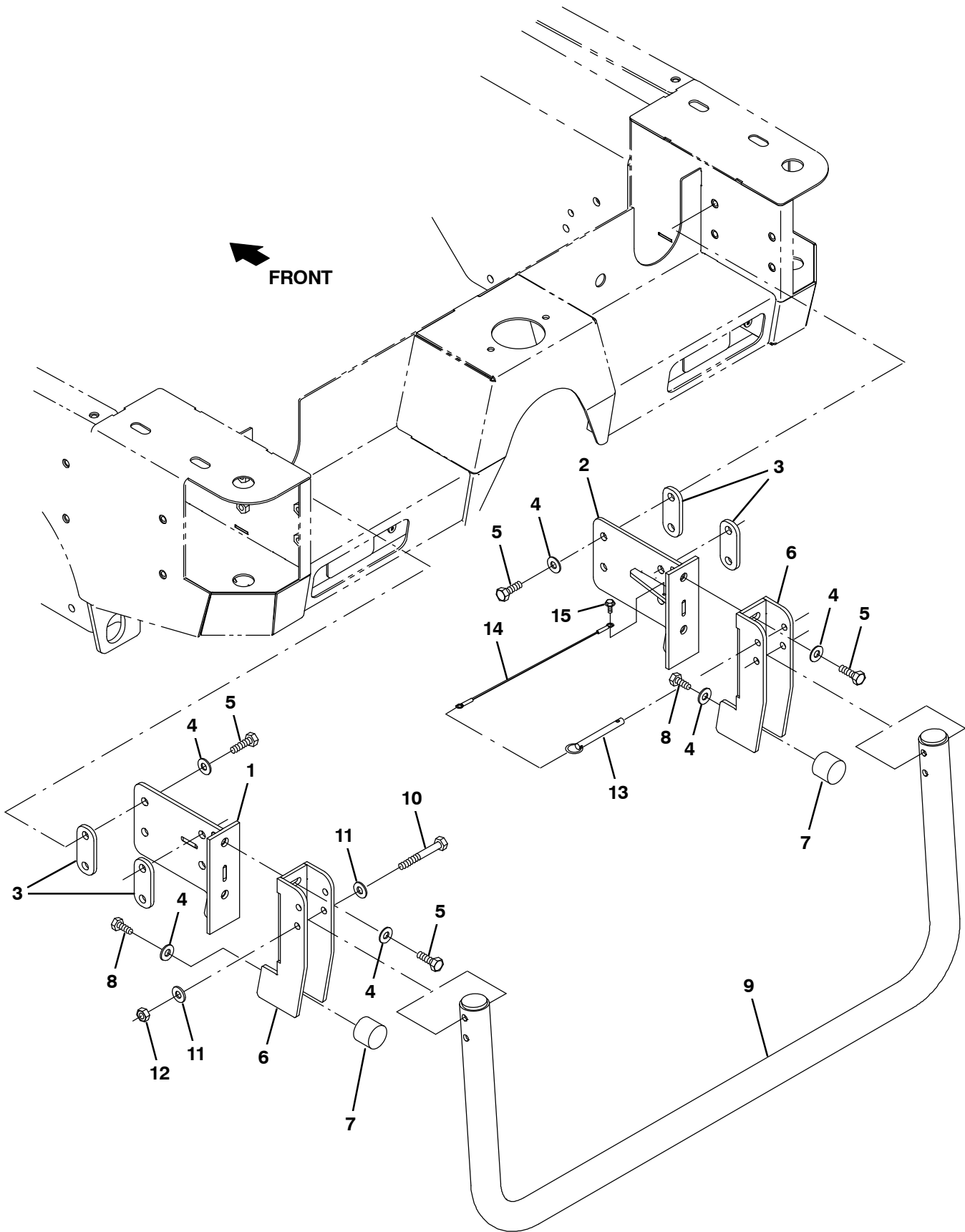
Fig. 41 – Fire Extinguisher Kit



354484

Ref.	Part No.	Serial Number	Description	Qty.
▽	9001316	(008000–	) Extinguisher Kit, Fire, Ci [M20 And T20]	1
▲	1 25312	(008000–	) Extinguisher, Fire, 2.5 Lb Dry	1
▲	2 382320	(008000–	) Screw, Pan, #12–16 X 0.50, F/ Plstc	2

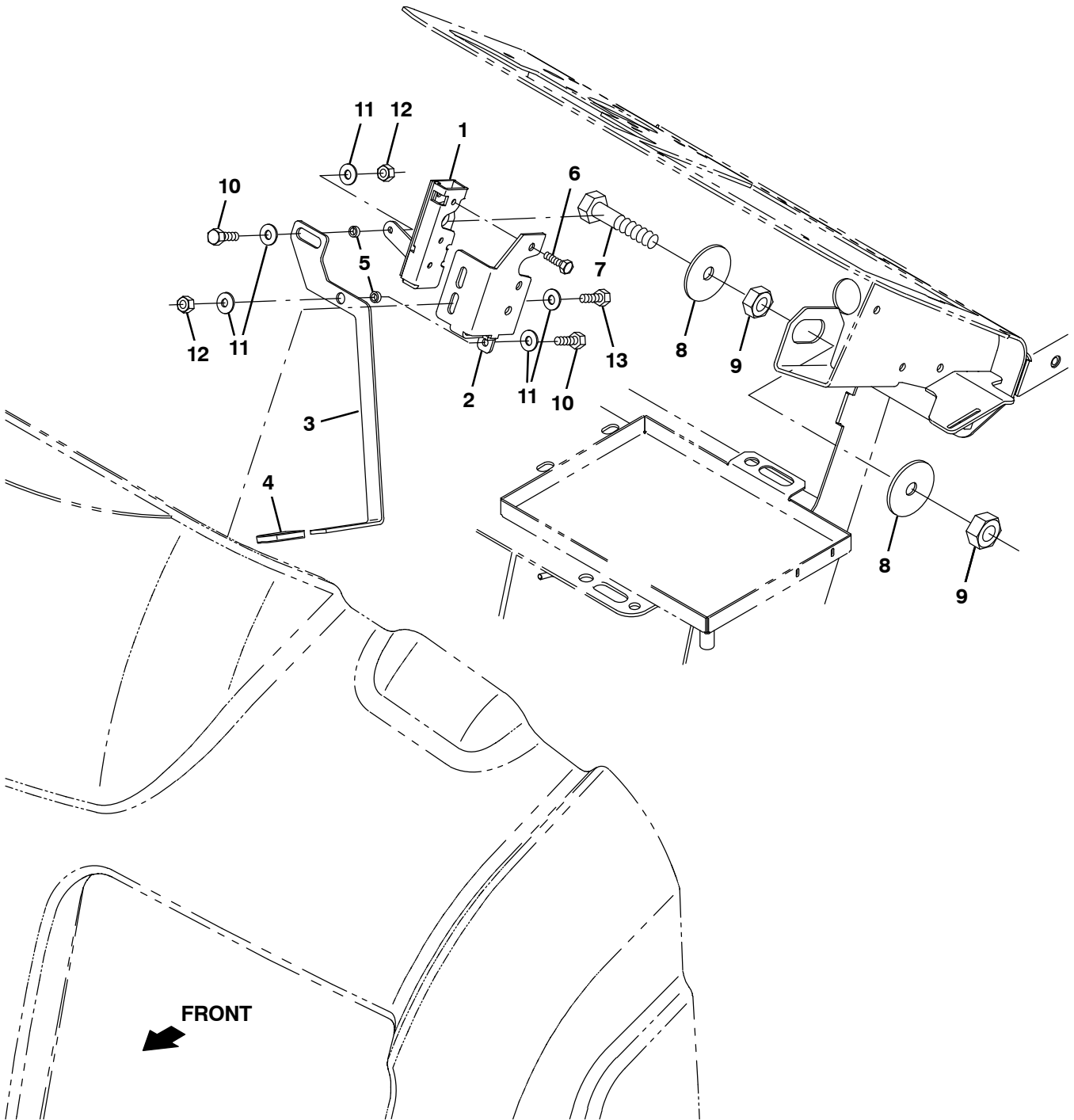
Fig. 42 – Rear Squeegee Guard Group



**Fig. 42 - Rear Squeegee Guard Group**

<b>Ref.</b>	<b>Part No.</b>	<b>Serial Number</b>	<b>Description</b>	<b>Qty.</b>
1	1030557	(008000-	) Support Wldt, Sqge, Lh Rear	1
2	1030503	(008000-	) Support Wldt, Sqge, Rh Rear	1
3	1030522	(008000-	) Link, .25 1.4w 3.2l 2/.5h	4
4	01686	(008000-	) Washer, Flat, 0.44b 1.00d .08, Ss	14
5	12317	(008000-	) Screw, Hex, M10 X 1.5 X 30, Ss	12
6	1030515	(008000-	) Channel Wldt, Guard, Sqge	1
7	1024977	(008000-	) Bumper, Ure, 1.50d 1.25l	2
8	21196	(008000-	) Screw, Hex, .38-16 X 0.88, G5	2
9	1054338	(008000-	) Guard Wldt, Sqge	1
10	06965	(008000-	) Screw, Hex, M10 X 1.5 X 80, 8.8	2
11	32492	(008000-	) Washer, Flat, 0.38, Std	8
12	41430	(008000-	) Nut, Hex, Lock, M10 X 1.5, NI	2
13	369359	(008000-	) Pin, Hitch, .375d X 3.12l, PI	1
14	57702	(008000-	) Cable, Glv .06d 012.0l .26eye /.26eye	1
15	223198	(008000-	) Screw, Hex, M5 X 0.8 X 10, Fmg	1
16	1045444	(008000-	) Guard Wldt, Sqge [M20/T20/M30]	2
17	06962	(008000-	) Screw, Hex, M10 X 1.5 X 45, 8.8	4

Fig. 43 – Front Cover Latch Group

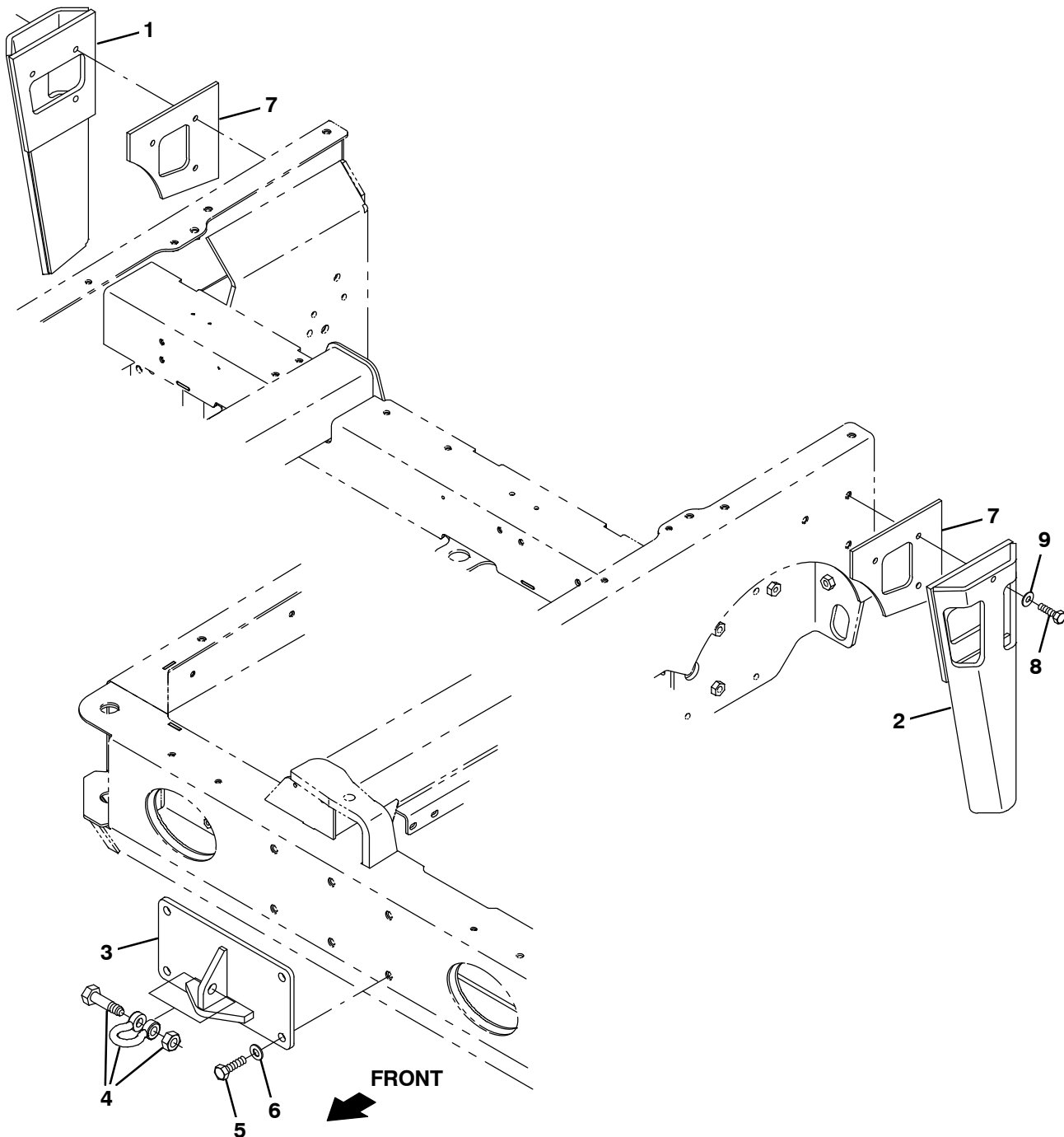




**Fig. 44 – Front Cover Latch Group**

<b>Ref.</b>	<b>Part No.</b>	<b>Serial Number</b>	<b>Description</b>	<b>Qty.</b>
1	59661	(008000– )	Latch	1
2	1076703	(008000– )	Bracket, Mtg, Latch	1
3	1076704	(008000– )	Lever, Latch	1
4	222190	(008000– )	Grip, Handle	1
5	80491	(008000– )	Sleeve, P/M, 0.25b 0.38d 0.2l [430ss]	2
6	25046	(008000– )	Screw, Hex, .25–20 X 1.00, G5	3
7	32895	(008000– )	Screw, Hex, .50–13 X 3.50, G5	1
8	04414	(008000– )	Washer, Flat, 0.53b 1.88d .12, Stl, Pl	2
9	32523	(008000– )	Nut, Hex, Jam, .50–13	2
10	06943	(008000– )	Screw, Hex, M6 X 1.00 X 20, 8.8	2
11	32490	(008000– )	Washer, Flat, 0.25, Std	8
12	08708	(008000– )	Nut, Hex, Lock, M6 X 1.00, NI	2
13	06942	(008000– )	Screw, Hex, M6 X 1.00 X 16, 8.8	2

**Fig. 45 – Frame Tie Down and Tow Group**



356970 – M20, T20

Ref.	Part No.	Serial Number	Description	Qty.
1	1076696	(008000– )	Guard Wldt, Sqge, Tie-Down, Side, Rh	1
2	1076698	(008000– )	Guard Wldt, Sqge, Tie-Down, Side, Lh	1
3	1076740	(008000– )	Tow Wldt, Bumper, Front	1
4	1076741	(008000– )	Anchor [Shackle], .50 Bolt	1
5	06968	(008000– )	Screw, Hex, M12 X 1.75 X 35, 8.8	4
6	32486	(008000– )	Washer, Flat, 0.53b 1.06d .10, Stl, Pl	4
7	1076699	(008000– )	Plate, Shim, Guard, Sqge, Tie-Down	1
8	77347	(008000– )	Screw, Hex, M10 X 1.50 X 35, Ss	6
9	32492	(008000– )	Washer, Flat, 0.38, Std	6

**Fig. 46 – Documentation Group (Online Only)**

T20, G/LP, NA

<b>Ref.</b>	<b>Part No.</b>	<b>Serial Number</b>	<b>Description</b>	<b>Qty.</b>
	9016200	(008000–	) Manual, Oprtr, [T20 G, En, Na Sn 8000–]	1
	1037749	(008000–	) Instr, Maint, Wall Chart [T20]	1
	9016202	(008000–	) Manual, Oprtr, [T20 G, Es, Na Sn 8000–]	1
	9016203	(008000–	) Manual, Oprtr, [T20 G, Fr, Na, Sn 8000–]	1
	9016204	(008000–	) Manual, Oprtr, [T20 G/Lpg, Jp, Sn 8000–]	1
	9016206	(008000–	) Manual, Oprtr, [T20 G/Lpg, Cn, Sn 8000–]	1
	9016285	(008000–	) Manual, Oprtr, [T20 G/Lp, Ptb, Sn 8000–]	1
	9016201	(008000–	) Manual, Parts, [T20 Gas/Lpg Na Sn 8000–]	1
	9016205	(008000–	) Manual, Service, [T20 G/Lp/D, Sn 8000–]	1
	9006257	(008000–	) Media, Cd–Rom, Training [Ec–H2o Tennant]	1
	9010635	(008000–	) Manual, Cd–Rom, Engine [Mit 2.0]	1



To view, print, or download the latest Parts manual, other language Operator manuals, and Use and Care Guides (wall charts), visit:

[www.tennantco.com/manual](http://www.tennantco.com/manual)



## SECTION 4

Contents	Page
Fig. 1 – Extended Scrub Pump Breakdown, 1021210 .....	4-2
Fig. 2 – Hydraulic Motor Breakdown, 379609 ...	4-4
Fig. 3 – Hydraulic Pump Breakdown, 1024251 .	4-6
Fig. 4 – Hydraulic Motor Breakdown, 71729 ....	4-8
Fig. 5 – Hydraulic Motor Breakdown, 1029379 .	4-9
Fig. 6 – Hydraulic Valve Breakdown, 1072997 .	4-10
Fig. 7 – Hydraulic Valve Breakdown, 1072995 .	4-12
Fig. 8 – Hydraulic Steering Valve Breakdown, 1024260 .....	4-14
Fig. 9 – Metering Solution Pump Breakdown, 73260 .....	4-16
Fig. 10 – Water Pump Breakdown, 1026743 ...	4-17
Fig. 11 – ec-H2O Module Assembly Breakdown, 9007882 .....	4-18
Fig. 12 – Seat Breakdown, 9018721 .....	4-20
Fig. 13 – Steering Gearbox Breakdown, 9015636 .....	4-22
Fig. 14 – FaST Injector Assembly Breakdown, 9008868 .....	4-24
Fig. 15 – Water Pump Motor Breakdown, 1225829 .....	4-25

**Fig. 1 – Extended Scrub Pump Breakdown, 1021210**

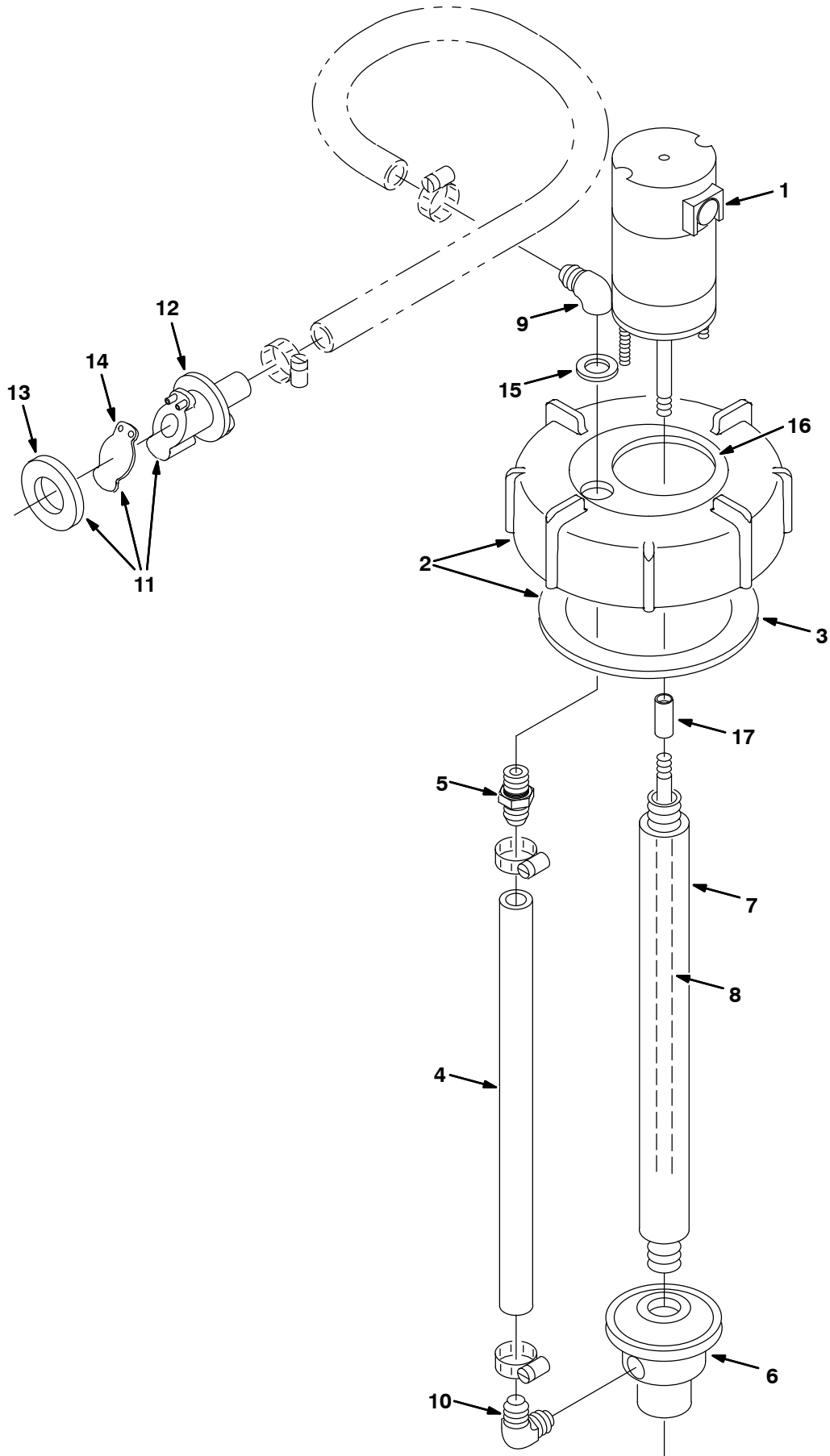


Fig. 1 - Extended Scrub Pump Breakdown, 1021210

	Ref.	Part No.	Serial Number	Description	Qty.
▽		1021210	(000000-	) Pump Assy, Column, Es	1
▲▽	1	9002708	(000000-	) Motor, Ele, 12vdc, Pump, Water	1
▲▲		78829	(000000-	) Kit, Brush, Motor, Ele	1
▲▽	2	24358	(000000-	) Cap Assy, Tank, Drain	1
▲▲	3	1031699	(000000-	) Gasket, 4.05id 5.29od .19 [Buna]	1
▲	4	78833	(000000-	) Tube, Vinyl, Pump, Water	1
▲	5	78398	(000000-	) Fitting, Plstc, Str, Bm12/Pm08, Nyl	1
▲	6	78843	(000000-	) Housing Kit, Pump, Water	1
▲	7	78836	(000000-	) Column, Pump, Water	1
▲	8	9002709	(000000-	) Shaft, Pump, Water	1
▲	9	78838	(000000-	) Fitting, E, Gr	1
▲	10	78839	(000000-	) Fitting, Plstc, E90, Pf Bm [Es Pump]	1
▲▽	11	78842	(000000-	) Kit, Valve, Check, Pump, Water	1
▲▲	12	78840	(000000-	) Valve, Check, Pump, Water	1
▲▲	13	73342	(000000-	) Gasket, .25 1.88d 1.0id [Poron]	1
▲▲	14	78841	(000000-	) Flapper, Valve, Pump, Water	1
▲	15	78830	(000000-	) Washer, Rbr	1
▲	16	22790	(000000-	) Insert, Cap, Mount, Es Pump	1
▲	17	23285	(000000-	) Sleeve, Pump, Water	1

**Fig. 2 – Hydraulic Motor Breakdown, 379609**

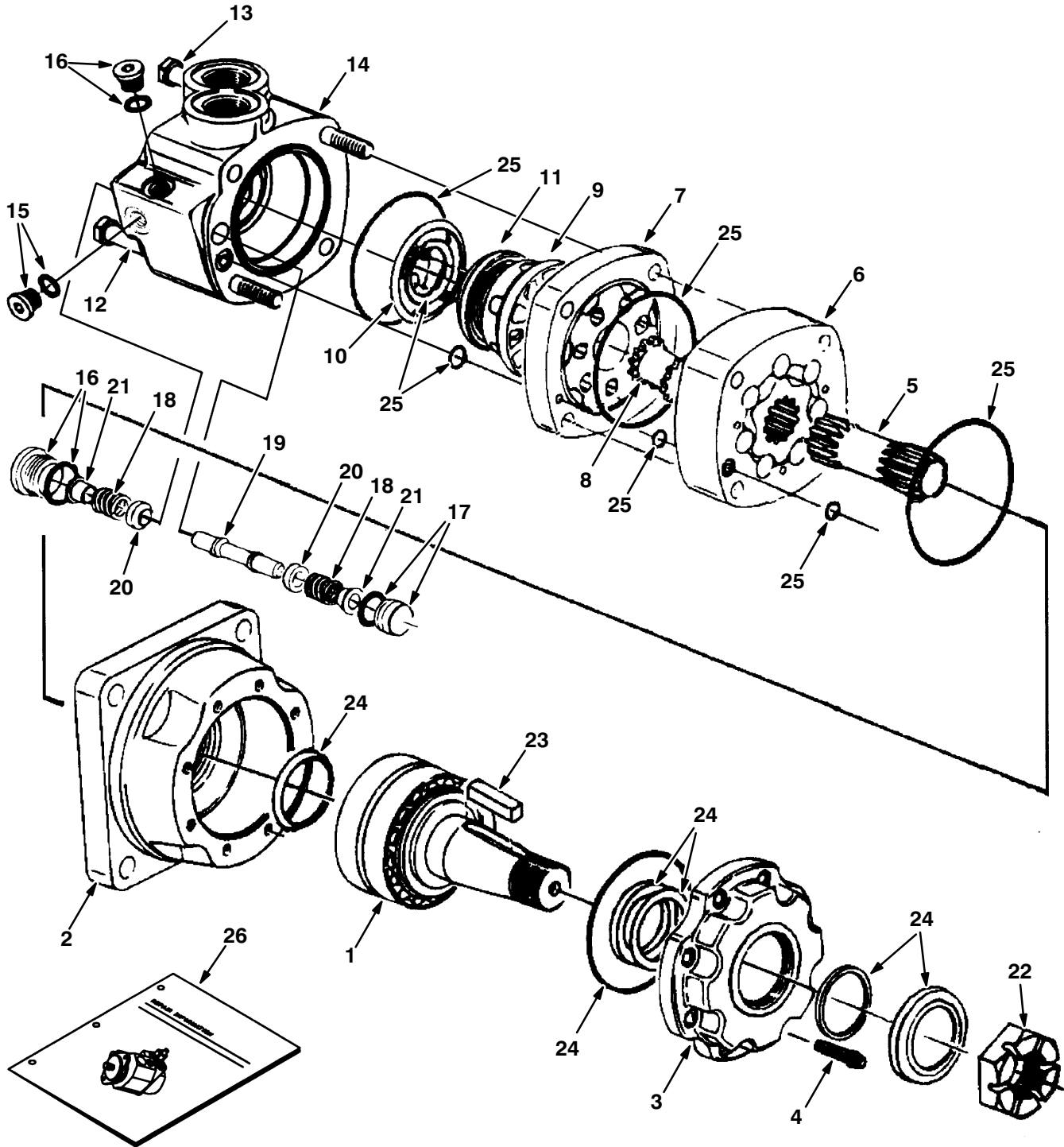




Fig. 2 – Hydraulic Motor Breakdown, 379609

	Ref.	Part No.	Serial Number	Description	Qty.
▽		379609	(000000–	) Motor, Hyd, Gear, [Int], 19.0 X 3000	1
▲	1	74165	(000000–	) Shaft, Motor, Hyd	1
▲	2	74166	(000000–	) Housing, Brg, Motor, Hyd	1
▲	3	74167	(000000–	) Retainer, Motor, Hyd	1
▲	4	74168	(000000–	) Screw, Cap, Motor, Hyd	8
▲	5	37616	(000000–	) Drive, Motor, Hyd	1
▲	6	37756	(000000–	) Geroler, Motor, Hyd	1
▲	7	74122	(000000–	) Plate, Valve, Motor, Hyd	1
▲	8	52405	(000000–	) Valve, Motor, Hyd	1
▲	9	74123	(000000–	) Valve, Motor, Hyd	1
▲	10	34178	(000000–	) Spring, Motor, Hyd	2
▲	11	38968	(000000–	) Ring, Motor, Hyd	1
▲	12	74125	(000000–	) Bolt, Motor, Hyd	3
▲	13	38255	(000000–	) Bolt, Motor, Hyd	1
▲	14	373297	(000000–	) Housing, Valve	1
▲	15	373298	(000000–	) Plug	1
▲	16	373260	(000000–	) Plug, Pump, Hyd, Gear	2
▲	17	373299	(000000–	) Plug	1
▲	18	373291	(000000–	) Spring	2
▲	19	373217	(000000–	) Piston, Pump, Hyd, Gear	1
▲	20	373226	(000000–	) Poppet, Pump, Hyd, Gear	2
▲	21	373236	(000000–	) Sleeve, Dashpo, Pump, Hyd, Gear	2
▲	22	45622	(000000–	) Nut, Motor, Hyd	1
▲	23	45623	(000000–	) Key, Motor, Hyd	1
▲	24	79828	(000000–	) Seal Kit, Shaft	1
▲	25	33580	(000000–	) Seal Kit, Rear	1
	26	79729	(000000–	) Instr, Repair, Motor, Hyd, Gear	1

**Fig. 3 – Hydraulic Pump Breakdown, 1024251**

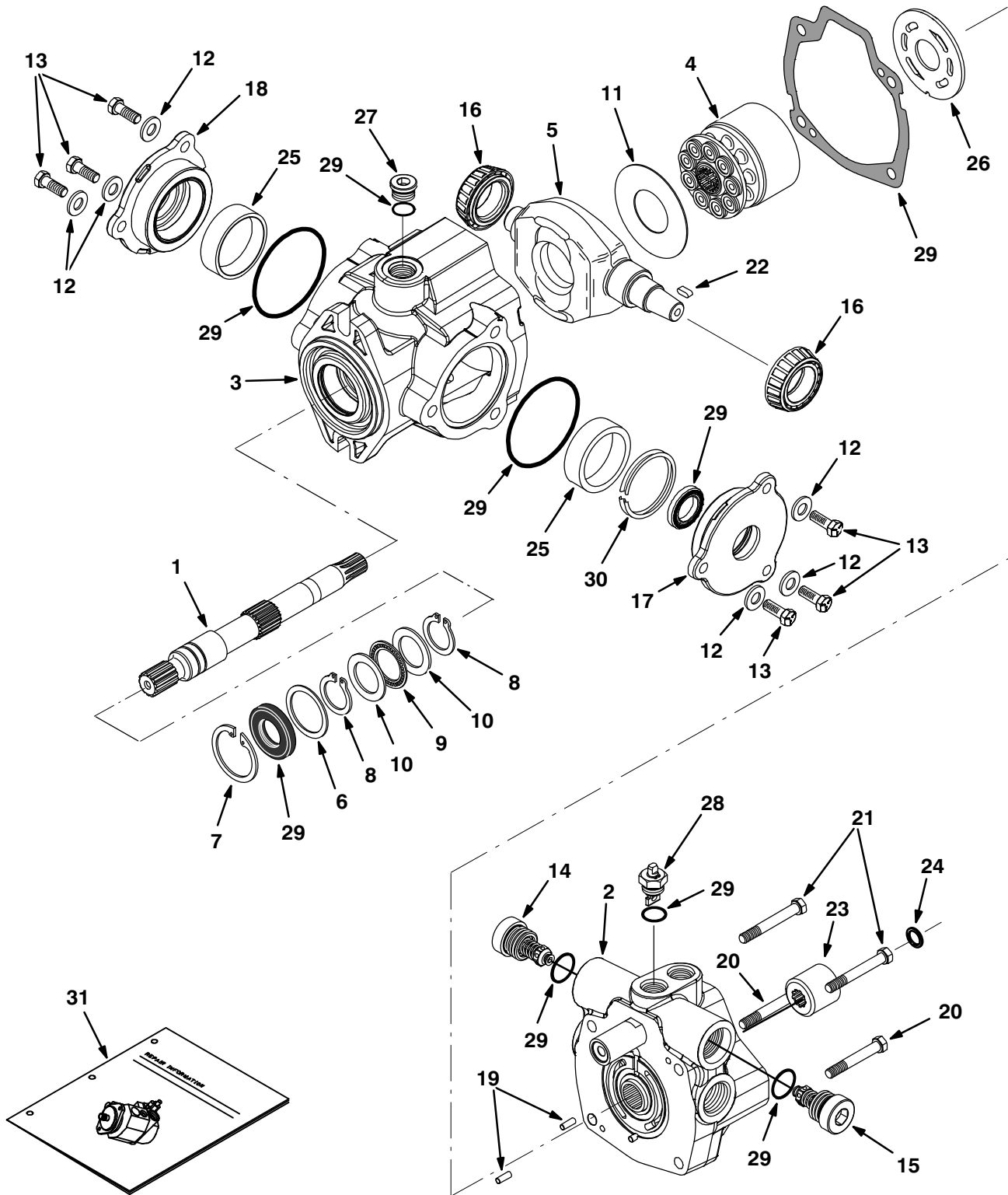
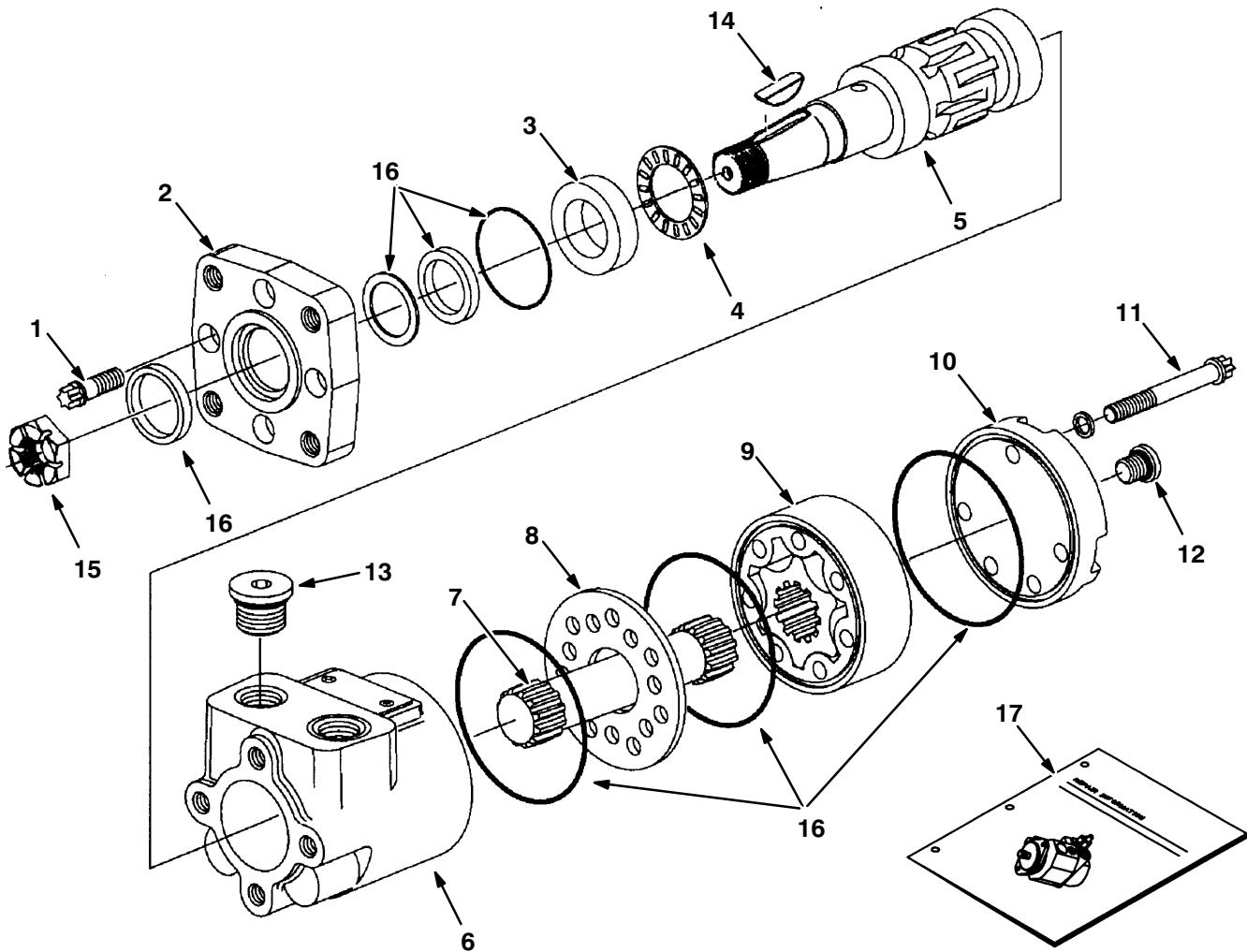


Fig. 3 – Hydraulic Pump Breakdown, 1024251

Ref.	Part No.	Serial Number	Description	Qty.	
▽	1024251	(000000–	) Pump, Hyd, Piston, Var, 1.24 4000, Cw	1	
▲	1	373681	(000000–	) Shaft, Pump	1
▲	2	373427	(000000–	) Cover, End	1
▲	3	373389	(000000–	) Housing	1
▲	4	02706	(000000–	) Pump Kit, Hyd, Rotating [Cessna]	1
▲	5	373493	(000000–	) Plate, Cam	1
▲	6	70096	(000000–	) Washer, Flat, Pump, Hyd	1
▲	7	55926	(000000–	) Ring, Retaining, Pump, Hyd	1
▲	8	373434	(000000–	) Ring, Retaining	2
▲	9	74225	(000000–	) Bearing, Thrust, Pump, Hyd	1
▲	10	74226	(000000–	) Race, Brg, Pump, Hyd	2
▲	11	373327	(000000–	) Insert, Plt, Cam, Pump, Hyd	1
▲	12	373391	(000000–	) Washer, Pump, Hyd [En]	6
▲	13	373346	(000000–	) Screw, Cap	6
▲	14	373494	(000000–	) Valve, Relief, 4000 Psi	1
▲	15	373678	(000000–	) Valve, Relief, 3000 Psi	1
▲	16	373317	(000000–	) Bearing, Cone, Pump, Hyd	2
▲	17	373393	(000000–	) Plate, Cover	1
▲	18	373394	(000000–	) Plate, Cover	1
▲	19	70100	(000000–	) Pin, Dowel, Pump, Hyd	2
▲	20	373347	(000000–	) Screw, Cap	2
▲	21	373348	(000000–	) Screw, Cap	2
▲	22	74237	(000000–	) Key, Shaft, Pump, Hyd	1
▲	23	373679	(000000–	) Coupler, Pump	1
▲	24	373680	(000000–	) Ring, Lock	1
▲	25	373395	(000000–	) Bearing, Cup	2
▲	26	74180	(000000–	) Plate, Valve, Pump, Hyd	1
▲	27	13907	(000000–	) Fitting, Hyd, Plug, Om08	1
▲	28	373413	(000000–	) Actuator, Valve, By-Pass [En]	1
▲	29	373398	(000000–	) Seal Kit, Pump, Hyd	1
▲	30	373402	(000000–	) Shim Kit	1
	31	373429	(000000–	) Instr, Repair, Pump	1

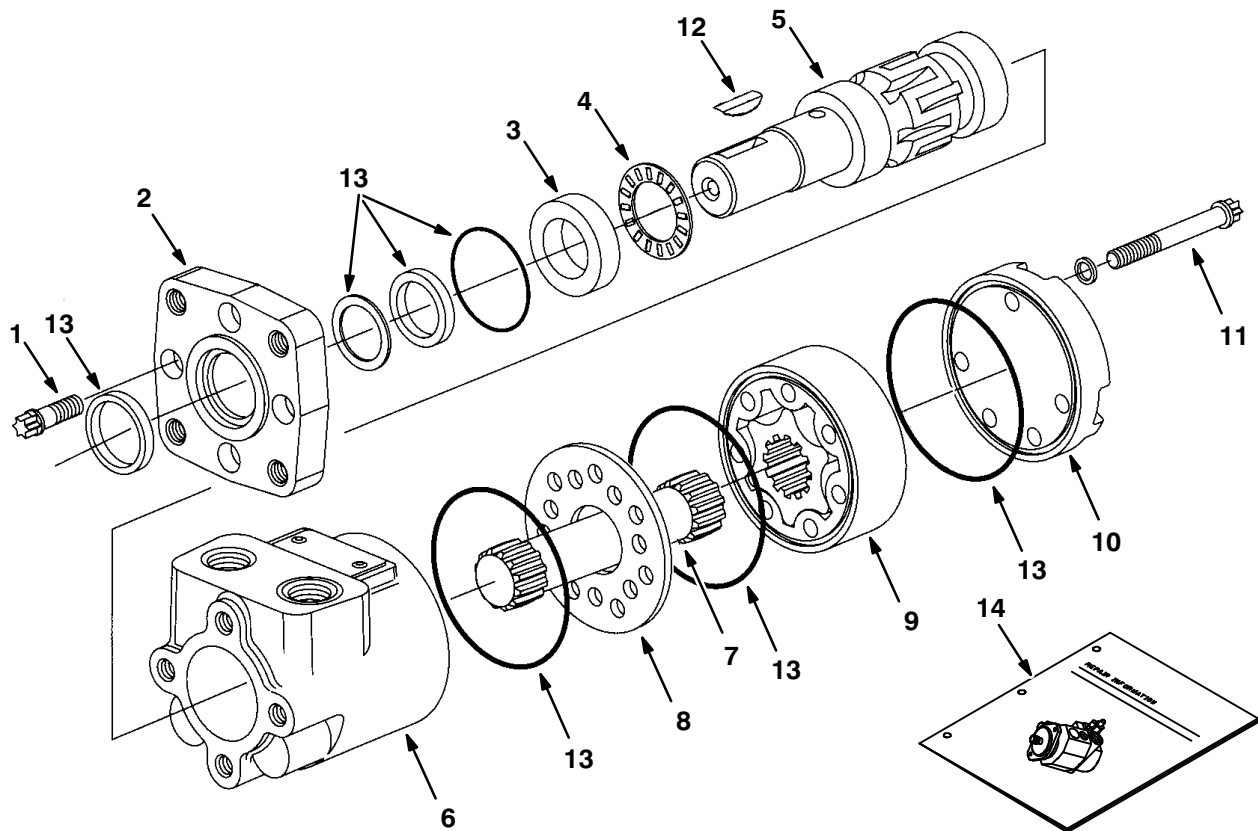
**Fig. 4 – Hydraulic Motor Breakdown, 71729**



09606-09670 – ALL

Ref.	Part No.	Serial Number	Description	Qty.
▽	71729	(000000- )	Motor, Hyd Gear In 4.5 B 1500	1
▲	1	37555	(000000- ) Screw	4
▲	2	31354	(000000- ) Flange Mounting	1
▲	3	16695	(000000- ) Race Thrust	1
▲	4	45628	(000000- ) Thrust Bearing	1
▲	5	31375	(000000- ) Shaft, Output	1
▲	6	74100	(000000- ) Housingl	1
▲	7	31379	(000000- ) Drive	1
▲	8	74094	(000000- ) Spacer Plate	1
▲	9	31383	(000000- ) Gerotor Set	1
▲	10	74095	(000000- ) End Cap	1
▲	11	65241	(000000- ) Cap Screw	5
▲	12	74098	(000000- ) Plug #4	1
▲	13	74099	(000000- ) Plug #10	2
▲	14	00500-15	(000000- ) Key-Wdruff 0.25 1.00	1
▲	15	39527	(000000- ) Nut-Hxslot .75-16 Pltd	1
▲	16	61490	(000000- ) Seal Replmt Kit	1
▲	17	74250	(000000- ) Instr. Repair Info, Motor	1

**Fig. 5 - Hydraulic Motor Breakdown, 1029379**



10859-09670 - ALL

Ref.	Part No.	Serial Number	Description	Qty.	
▽	1029379	(000000-	) Motor, Hyd, Gear, Int 08.9 Bi-Dir 2500	1	
▲	1	37555	(000000-	) Screw, Motor, Hyd [En]	4
▲	2	31354	(000000-	) Flange, Motor, Hyd [En]	1
▲	3	16695	(000000-	) Ace, Thrust, Motor, Hyd [En]	1
▲	4	45628	(000000-	) Bearing, Thrust	1
▲	5	28854	(000000-	) Shaft, Output, Motor, Hyd [En]	1
▲	6	74100	(000000-	) Housing, Motor, Hyd [En]	1
▲	7	21955	(000000-	) Drive [CI]	1
▲	8	74094	(000000-	) Plate, Spacer, Motor, Hyd [En]	1
▲	9	21956	(000000-	) Gerotor Set [CI]	1
▲	10	65230	(000000-	) End Cap, Motor, Hyd [En]	1
▲	11	21958	(000000-	) Cap Screw CI	5
▲	12	00500-15	(000000-	) Key, Woodruff, 0.25 1.00 [Asa#0808]	1
▲	13	61490	(000000-	) Seal Kit, Motor [CI]	1
▲	14	74250	(000000-	) Instr, Motor, Hyd, Repair [En]	1

**Fig. 6 – Hydraulic Valve Breakdown, 1072997**

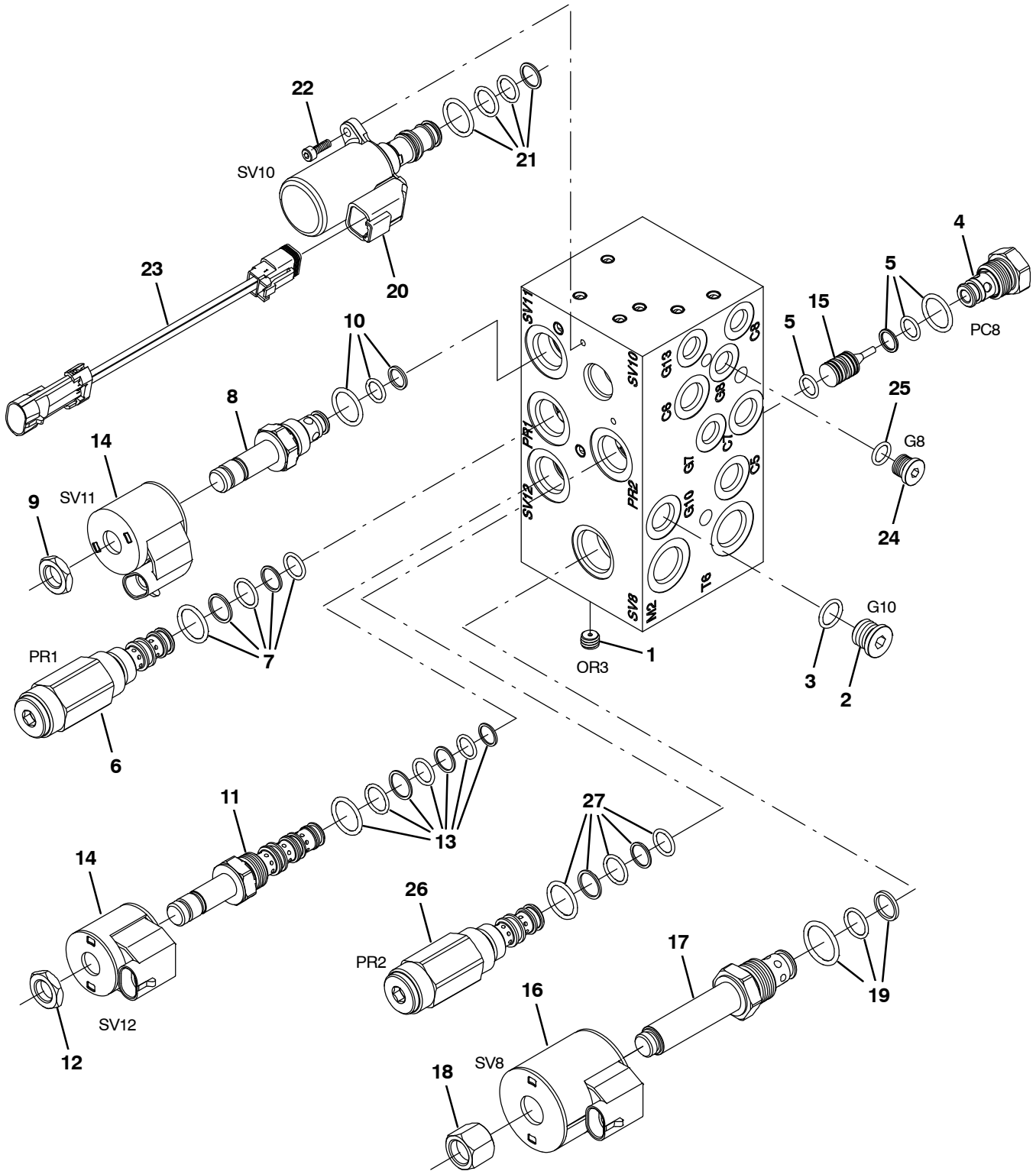


Fig. 6 - Hydraulic Valve Breakdown, 1072997

Ref.	Part No.	Serial Number	Description	Qty.
▽	1072997	(000000-	) Valve, Cntrl, Hyd, Solenoid, 03/16gpm	1
▲	1 373633	(000000-	) Plug, Orifice, Valve, Hyd, .040	1
▲▽	2 13904	(000000-	) Fitting, Plug, Org, #6, Valve [Cec]	1
▲▲	3 77005	(000000-	) Seal, Org, .078 X 00.47id 06	1
▲▽	4 373656	(000000-	) Valve, Check	1
▲▲	5 373647	(000000-	) Seal Kit, Cartridge	1
▲▽	6 373661	(000000-	) Valve, Relief	1
▲▲	7 373647	(000000-	) Seal Kit, Cartridge	1
▲▽	8 373662	(000000-	) Stem, Valve, Hyd	1
▲▲	9 373648	(000000-	) Nut, Coil, Nyl Patch	1
▲▲	10 373647	(000000-	) Seal Kit, Cartridge	1
▲▽	11 373657	(000000-	) Stem, Valve, Hyd [4w2p]	1
▲▲	12 373648	(000000-	) Nut, Coil, F/#8	1
▲▲	13 373647	(000000-	) Seal Kit, Cartridge	1
▲	14 373640	(000000-	) Solenoid, #8, 12vdc	3
▲	15 373658	(000000-	) Spool, Pilot, Hyd	1
▲	16 373642	(000000-	) Solenoid, #10, 12vdc	1
▲▽	17 373663	(000000-	) Valve, Stem, No	1
▲▲	18 373670	(000000-	) Nut, Solenoid	1
▲▲	19 373646	(000000-	) Seal Kit, Cartridge	1
▲▽	20 9011347	(000000-	) Valve Assy [Proportional]	1
▲▲	21 9011343	(000000-	) Seal Kit, Valve [Ehpr98]	1
▲▲	22 9011345	(000000-	) Screw, Mtg [Ehpr98]	2
▲▲	23 9011346	(000000-	) Harness, Jumper [Deutsch To Mpack]	1
▲▽	24 13904	(000000-	) Fitting, Plug, Org, #6, Valve [Cec]	1
▲▲	25 77005	(000000-	) Seal, Org, .078 X 00.47id 06	1
▲▽	26 373683	(000000-	) Valve, Relief	1
▲▲	27 373647	(000000-	) Seal Kit, Cartridge	1

**Fig. 7 – Hydraulic Valve Breakdown, 1072996**

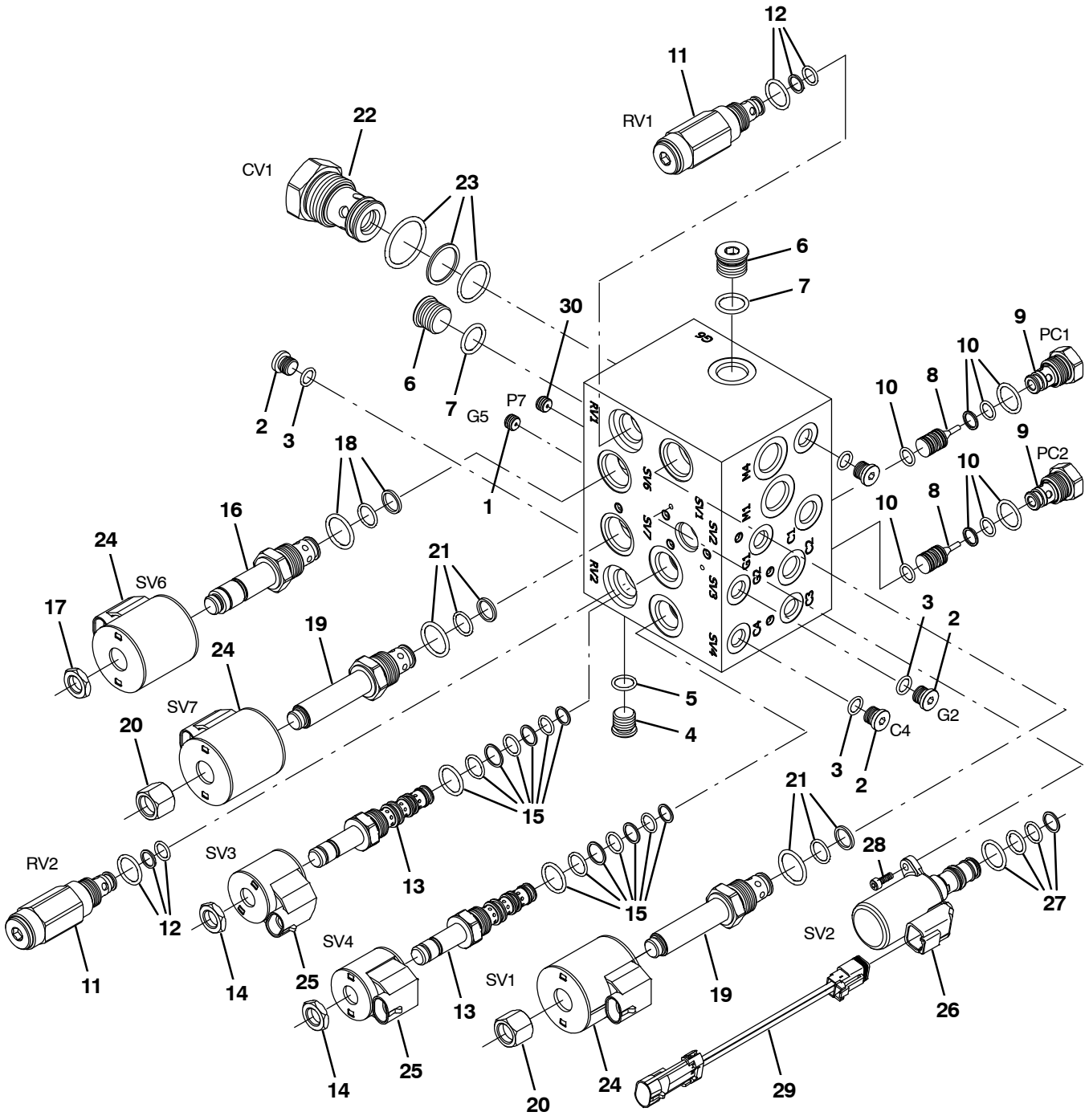




Fig. 7 - Hydraulic Valve Breakdown, 1072996

	Ref.	Part No.	Serial Number	Description	Qty.
▽		1072996	(000000-	) Valve, Cntrl, Hyd, Solenoid, 12vdc 08gpm	1
▲	1	373665	(000000-	) Plug, Orifice, Valve, Hyd, .046	1
▲▽	2	74098	(000000-	) Fitting, Hyd, Plug, Om04	4
▲▲	3	77003	(000000-	) Seal, Org, .072 X 00.35id #04	1
▲▽	4	13904	(000000-	) Fitting, Plug, Org, #6, Valve [Cec]	1
▲▲	5	77005	(000000-	) Seal, Org, .078 X 00.47id #06	1
▲▽	6	13907	(000000-	) Fitting, Hyd, Plug, Om08	2
▲▲	7	77006	(000000-	) Seal, Org, .087 X 00.64id #08	2
▲	8	373658	(000000-	) Spool, Pilot, Hyd	2
▲▽	9	373631	(000000-	) Valve, Check	2
▲▲	10	373647	(000000-	) Seal Kit, Cartridge	1
▲▽	11	373666	(000000-	) Valve, Relief	2
▲▲	12	373647	(000000-	) Seal Kit, Cartridge	1
▲▽	13	373657	(000000-	) Stem, Valve, Hyd, 4w2p	2
▲▲	14	373648	(000000-	) Nut, Coil, F/#8	1
▲▲	15	373647	(000000-	) Seal Kit, Cartridge	1
▲▽	16	373667	(000000-	) Stem, Valve, Hyd	1
▲▲	17	373648	(000000-	) Nut, Coil, F/#8	1
▲▲	18	373646	(000000-	) Seal Kit, Cartridge	1
▲▽	19	373663	(000000-	) Valve, Stem, No	2
▲▲	20	373670	(000000-	) Nut, Solenoid	1
▲▲	21	373646	(000000-	) Seal Kit, Cartridge	1
▲▽	22	373668	(000000-	) Valve, Check	1
▲▲	23	373671	(000000-	) Seal Kit, Cartridge	1
▲	24	373642	(000000-	) Solenoid, #10, 12vdc	3
▲	25	373640	(000000-	) Solenoid, #8, 12vdc	2
▲▽	26	9011347	(000000-	) Valve Assy [Proportional]	1
▲▲	27	9011343	(000000-	) Seal Kit, Valve [Ehpr98]	1
▲▲	28	9011345	(000000-	) Screw, Mtg [Ehpr98]	2
▲▲	29	9011346	(000000-	) Harness, Jumper [Deutsch To Mpack]	1
▲	30	373669	(000000-	) Plug, Orifice, Valve, Hyd, .063	1

**Fig. 8 – Hydraulic Steering Valve Breakdown, 1024260**

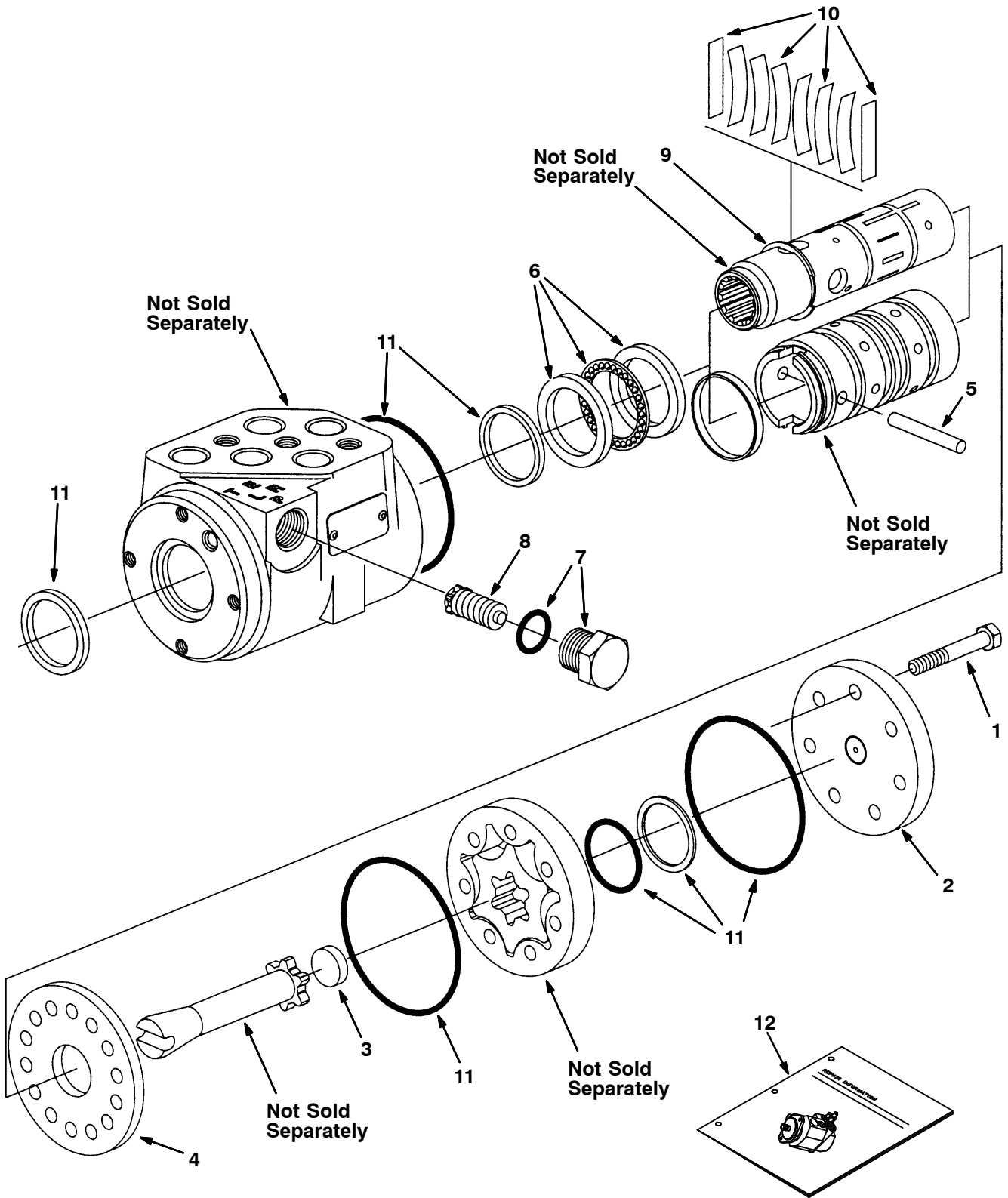
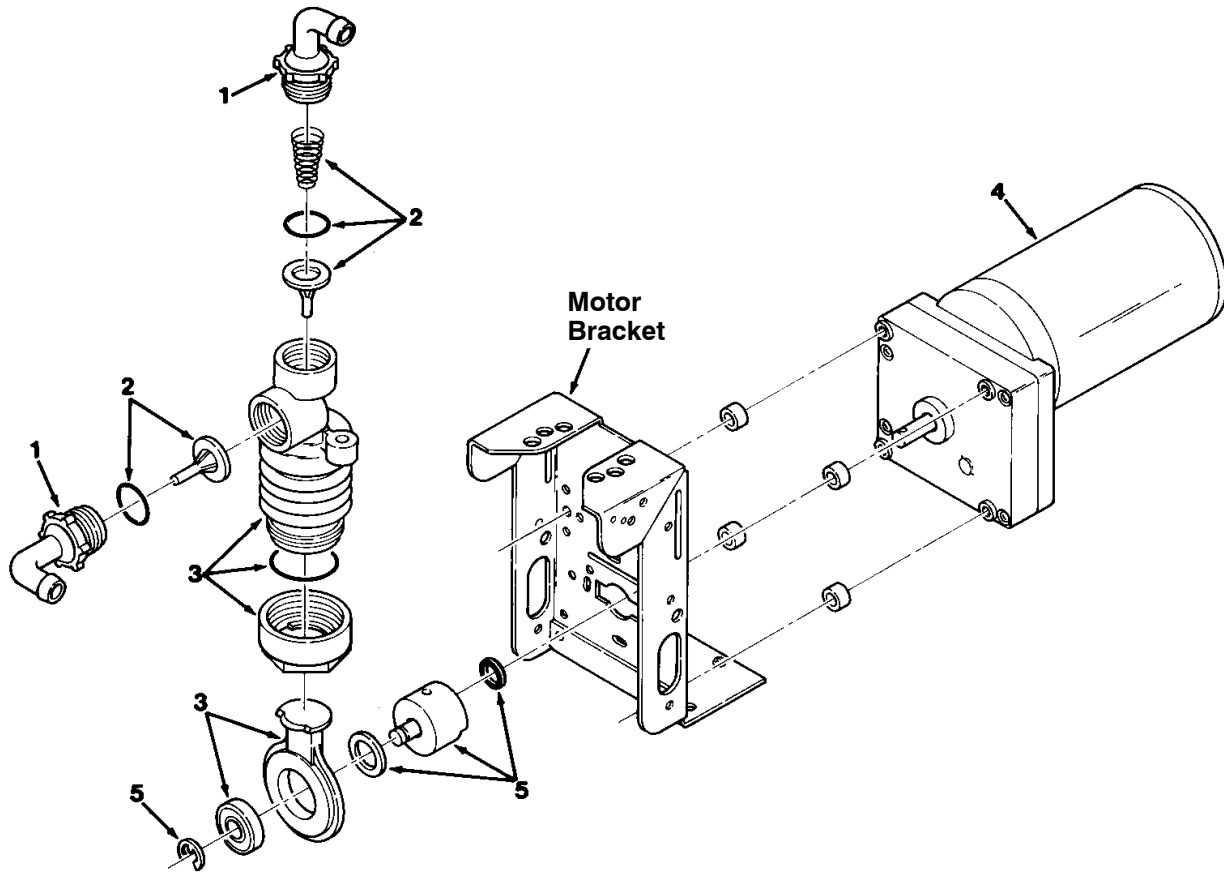


Fig. 8 – Hydraulic Steering Valve Breakdown, 1024260

	Ref.	Part No.	Serial Number	Description	Qty.
▽		1024260	(000000–	) Steer–Control, Hyd05, 06.1 2030	1
▲	1	74183	(000000–	) Screw, Valve, Steering	7
▲	2	74185	(000000–	) Cap, End, Valve, Steering	1
▲	3	74193	(000000–	) Spacer, Valve, Steering	1
▲	4	74222	(000000–	) Plate, Wear, Steering Valve	1
▲	5	74232	(000000–	) Pin, Valve, Steering	1
▲	6	21935	(000000–	) Bearing Kit [C]	1
▲	7	21933	(000000–	) Plug Assy [C]	1
▲	8	21934	(000000–	) Valve Assy, Relief [C]	1
▲	9	74243	(000000–	) Ring, Retainer, Steering Valve	1
▲	10	74196	(000000–	) Spring Kit, Scu [C]	1
▲	11	74244	(000000–	) Seal Kit, Steering [C]	1
▲	12	74245	(000000–	) Instr, Valve, Steering, Repair	1

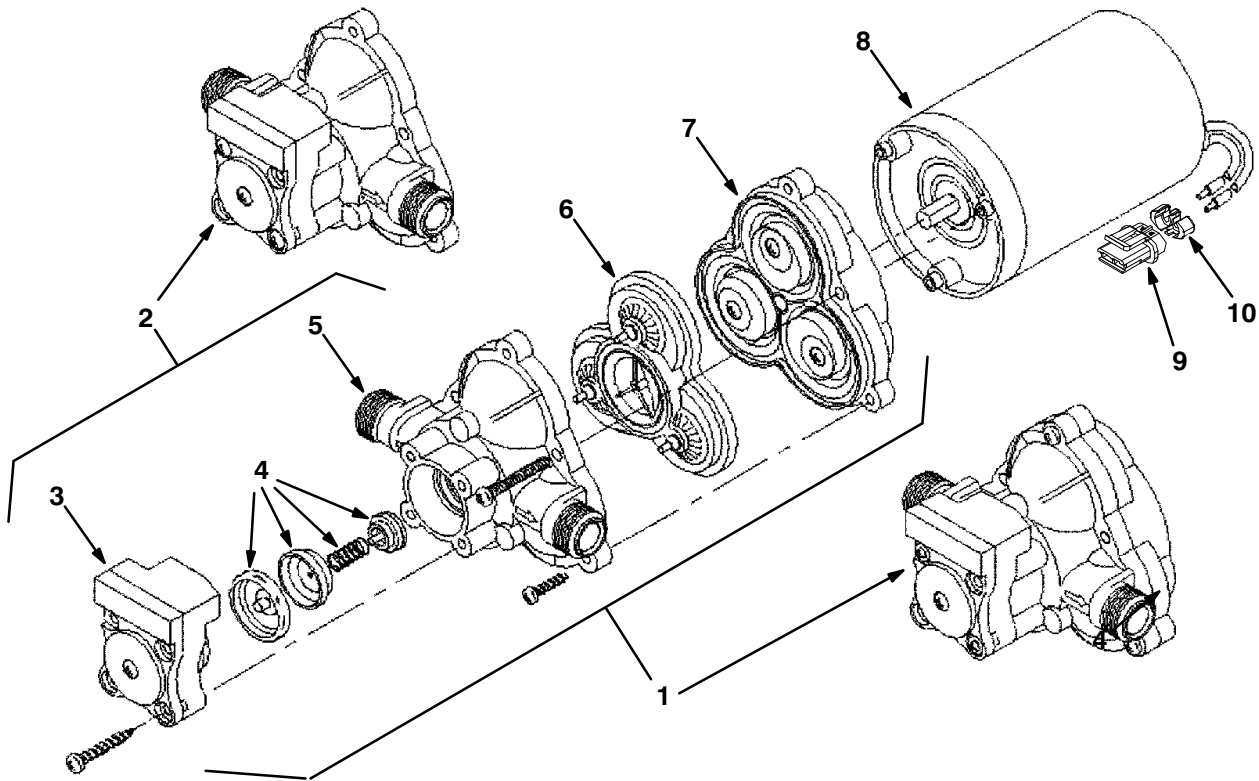
**Fig. 9 – Metering Solution Pump Breakdown, 73260**



00112 – ALL

Ref.	Part No.	Serial Number	Description	Qty.
▽	73260	(000000–	) Pump, Detgt, 14vdc, 150ml/Min 20psi	1
▲	1 63923	(000000–	) Tubing Connctr.Kit, Gorman Pmp	1
▲	2 21659	(000000–	) Valve Kit, Poppet, Gorman Rupp	1
▲	3 21657	(000000–	) Kit, Bellows, Pump, Detgt	1
▲	4 78875	(000000–	) Motor, Ele, Gear, 14vdc, Pump, Detgt	1
▲	5 02430	(000000–	) Crank Kit, Pump, F/79323, Replmt	1

**Fig. 10 – Water Pump Breakdown, 1026743**



07490 – 09670

Ref.	Part No.	Serial Number	Description	Qty.
▽	1026743	(000000–	) Pump, Diaphragm	1
▲	1	1031802	(000000–) Complete Pump Kit, Pump, Repair,	1
▲	2	1031803	(000000–) Hsg & Switch Kit, Pump, Repair,	1
▲	3	1031796	(000000–) Switch Kit, Pump, Repair,	1
▲	4	1031797	(000000–) Chech Valve Kit, Pump, Repair,	1
▲	5	1031798	(000000–) Upper Hsg Kit, Pump, Repair,	1
▲	6	1031799	(000000–) Bypass Valve Kit, Pump, Repair,	1
▲	7	1031800	(000000–) Diaphragm Kit, Pump, Repair,	1
▲	8	1031801	(000000–) Motor Kit, Pump, Repair,	1
▲	9	78950	(000000–) Connector, Fem, 02cav, Mp280 Sealed	1
▲	10	78952	(000000–) Lock, Secondary, 2cav, Mp280 Sealed	1
▲		78951	(000000–) Terminal, Fem, Mp280, Sealed, 18–16ga	2
▲		10917	(000000–) Seal, Wire, 14/16ga [Wp / Mp280 Sealed]	2

**Fig. 11 – ec-H2O Module Assembly Breakdown, 9007882**

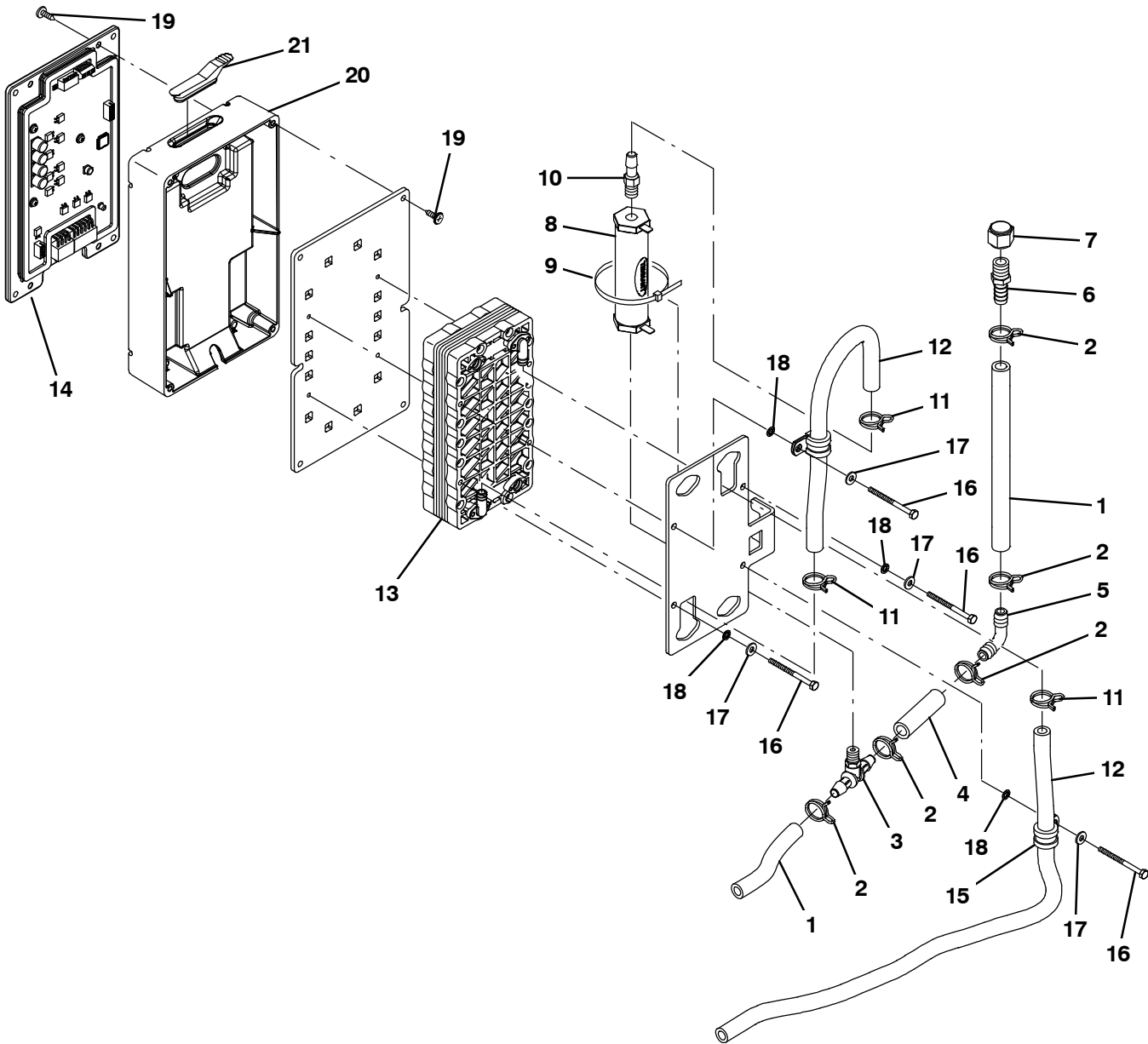


Fig. 11 – ec-H2O Module Assembly Breakdown, 9007882

Ref.	Part No.	Serial Number	Description	Qty.
▽	9007882	(000000–	) Module Kit, Replmt [Ec-H2O]	1
▲	1 1014974	(000000–	) Hose, Afmkt, Pvc, Brd, 0.38id, 02ft, Clr	2
▲	2 607775	(000000–	) Clamp, Hose, Wir, .63 – .66, Blk	5
▲	3 1060517	(000000–	) Fitting, Plstc, Tee, Bm06/Pm02/Bm06	1
▲	4 1014971	(000000–	) Hose, Afmkt, Pvc, Brd, 0.38id, 01ft, Clr	1
▲	5 20951	(000000–	) Fitting, Plstc, E90, Bm06/Bm06	1
▲	6 150540	(000000–	) Fitting, Plstc, Str, Bm06/Pm04	1
▲	7 1005435	(000000–	) Fitting, Plstc, Pipe, Cap, Pf04	1
▲	8 1038159	(000000–	) Electrode, Cylindrical	1
▲	9 44961	(000000–	) Tie, Cable, Nyl, 14.5l .30w 4.0 Max D	1
▲	10 1060695	(000000–	) Fitting, Plstc, Str, Pm02/Bm05	1
▲	11 1053464	(000000–	) Clamp, Hose, Wir, .52 – .56, Yel	3
▲	12 1052336	(000000–	) Hose, Afmkt, PVC, Brd, 0.31ld, 03Ft, Clr	1
▲	13 1057637	(000000–	) Electrode, 5 Plate, High Flow	1
▲	14 9007883	(000000–	) Controller Kit, Replmt [Ec-H2O]	1
▲	15 1016354	(000000–	) Clamp, Cable, Ss, 0.50d X 0.50w [Insul]	2
▲	16 32509	(000000–	) Screw, Hex, M4 X 0.70 X 50, Ss	4
▲	17 41579	(000000–	) Washer, Flat, 08, Ss	4
▲	18 02938	(000000–	) Washer, Lock, Int, 08, Ss	4
▲	19 1018155	(000000–	) Screw, Pan, Phl, M5 X 0.80 X 16, Tcut,Ss	8
▲	20 1037032	(000000–	) Housing, Bottom	1
▲	21 1054776	(000000–	) Grommet, Blind	1

**Fig. 12 – Seat Breakdown, 9018721**

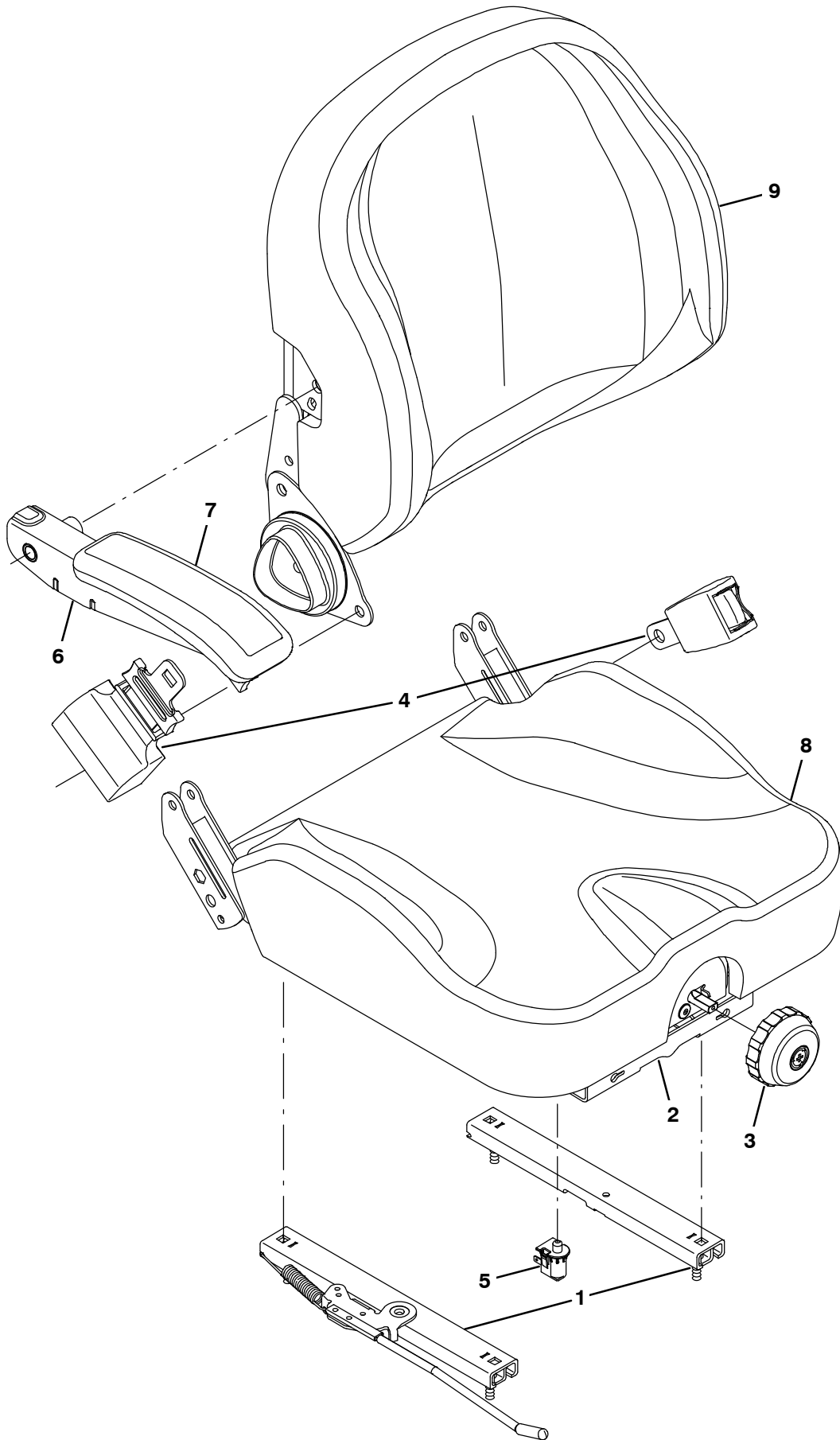




Fig. 12 – Seat Breakdown, 9018721

	Ref.	Part No.	Serial Number	Description	Qty.
▽		9018721	(000000–	) Seat, Deluxe, Replmt [M20/T20/M30]	1
▲	1	9012585	(000000–	) Track Assy, Slide	1
▲	2	9012587	(000000–	) Bellows, Seat	1
▲	3	9012589	(000000–	) Knobs, Adjmt, Weight	1
▲	4	9018734	(000000–	) Seatbelt, Retract, Orange, Replmt	1
▲	5	9012591	(000000–	) Switch, Seat	1
▲	6	9012592	(000000–	) Armrest	1
▲	7	9012593	(000000–	) Pad, Armrest	1
▲	8	9012594	(000000–	) Cover, Cushion	1
▲	9	9012595	(000000–	) Cover, Backrest	1

**Fig. 13 – Steering Gearbox Breakdown, 9015636**

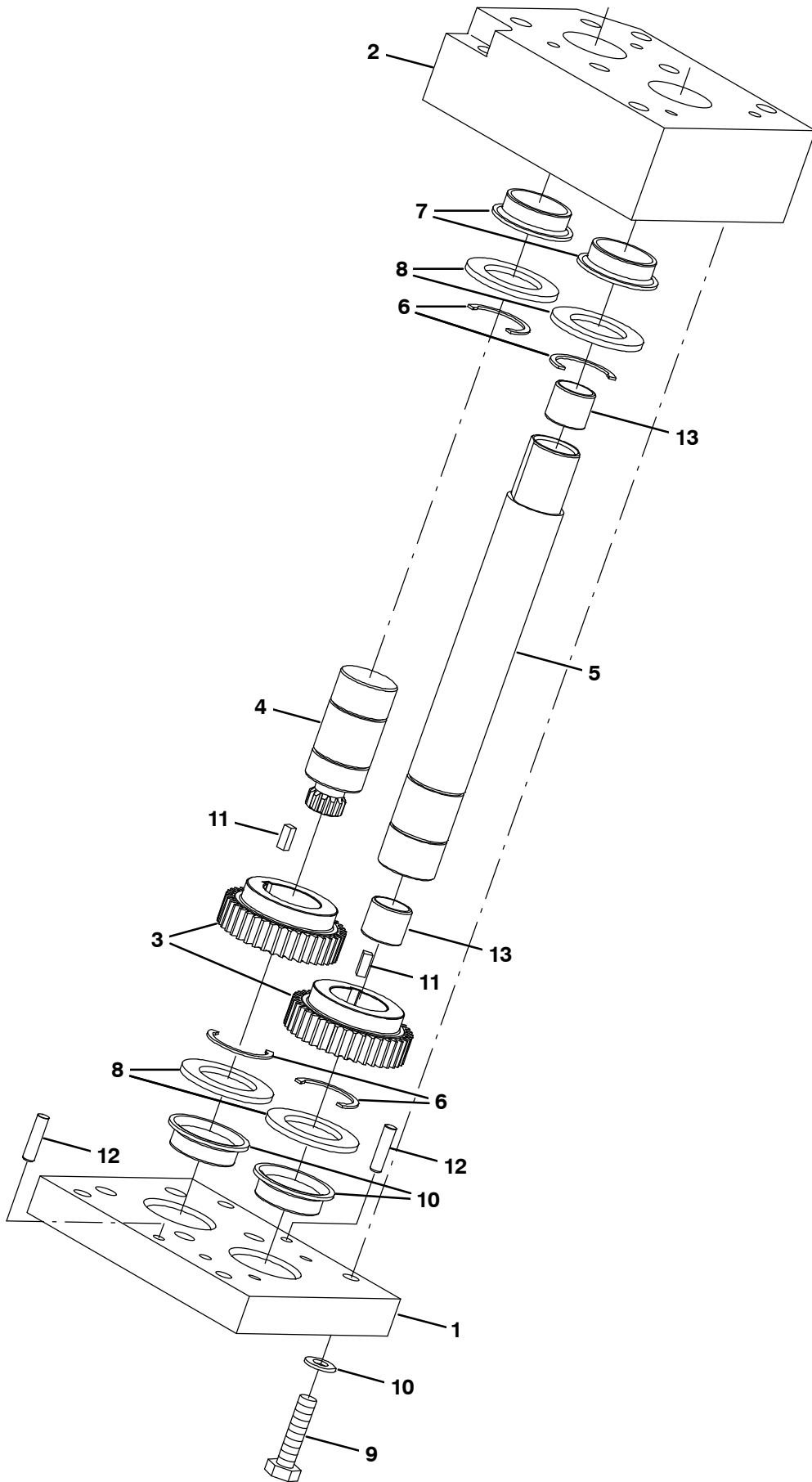
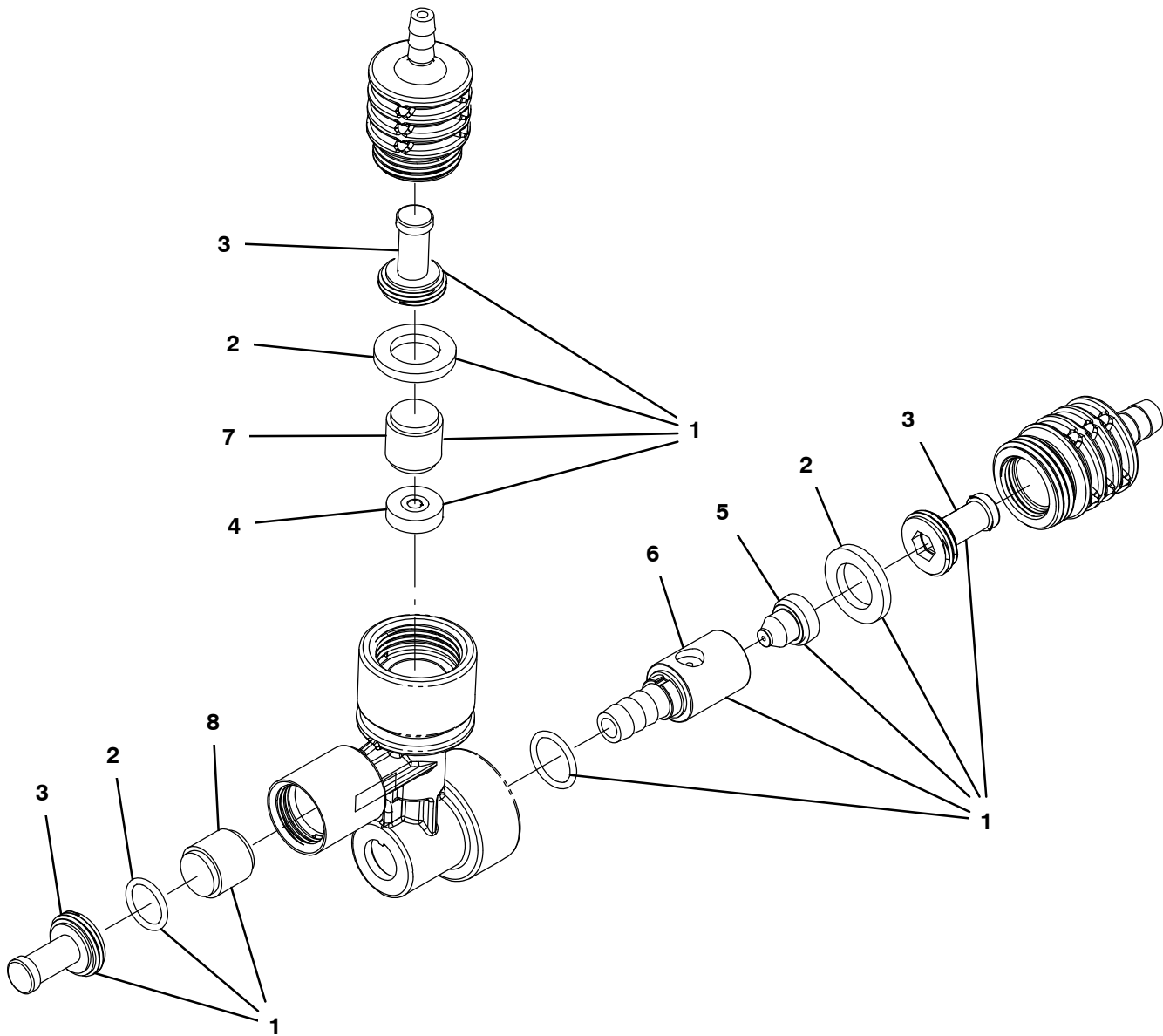


Fig. 13 – Steering Gearbox Breakdown, 9015636

	Ref.	Part No.	Serial Number	Description	Qty.
▽		9015636	(000000–	) Gearbox Kit, Steering, Afmkt[M20/30/T20]	1
▲	1	1224091	(000000–	) Housing, Gear, Top	1
▲	2	1224092	(000000–	) Housing, Gear, Bottom	1
▲	3	1222953	(000000–	) Gear, Steering	2
▲	4	1224093	(000000–	) Shaft, Gear, Orbital	1
▲	5	1224094	(000000–	) Shaft. Sterring	1
▲	6	59861	(000000–	) Ring, Retaining, Ext, 1.25d	4
▲	7	1210624	(000000–	) Bushing, Flng, 1.25b 1.41d 0.50l	4
▲	8	763024	(000000–	) Washer, Thrust, 1.26b 1.97d 0.13, Bnz	4
▲	9	41342	(000000–	) Screw, Hex, M8 X 1.25 X 40, 8.8	4
▲	10	39349	(000000–	) Washer, Flat, 0.31, Sae	4
▲	11	00961	(000000–	) Key, Sq, 0.19 X 0.19, 0.50l	2
▲	12	83043	(000000–	) Pin, Dowel, 0.2502d X 1.00l	2
▲	13	1057785	(000000–	) Bearing, Journal, 0.75b 0.88d 0.75l	2

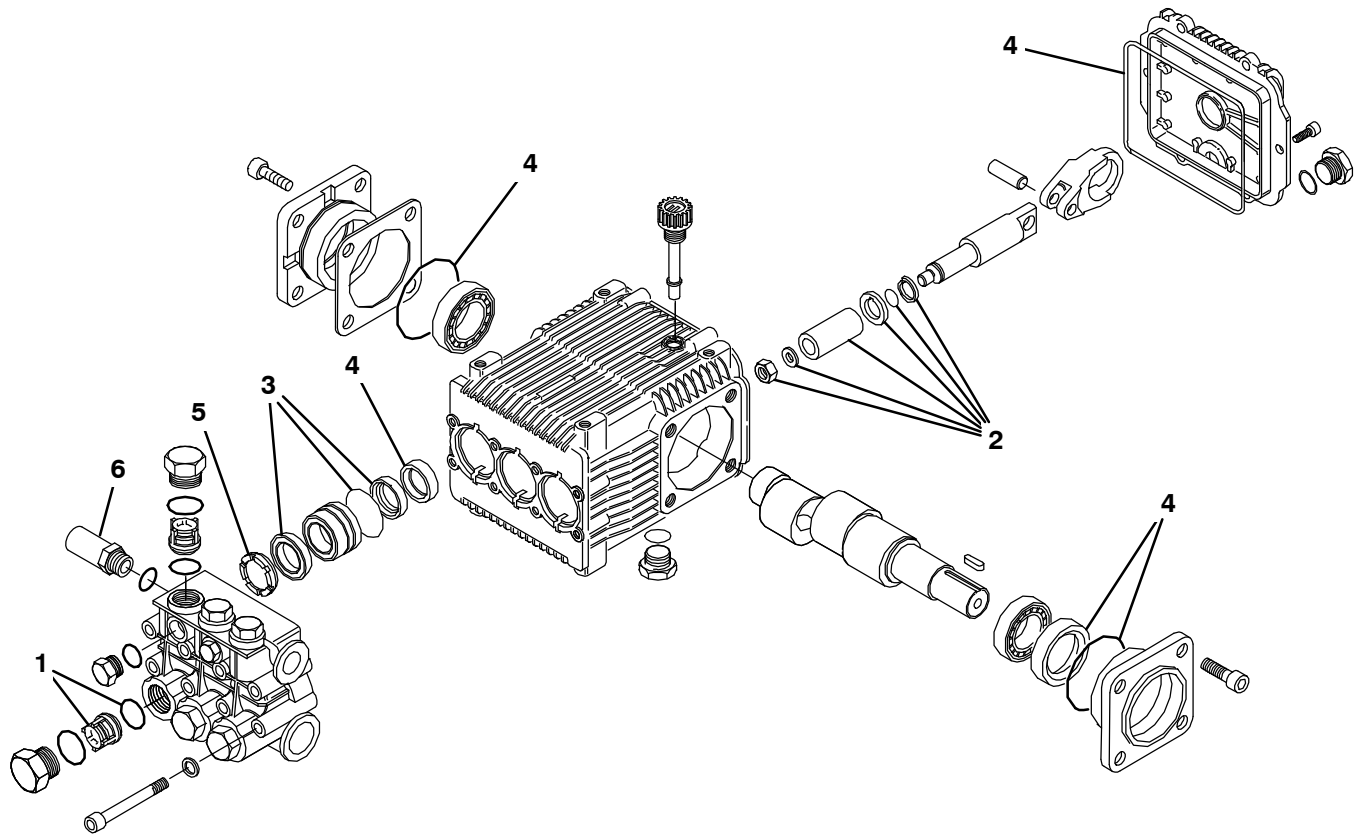
**Fig. 14 – FaST Injector Assembly Breakdown, 9008868**



356271

Ref.	Part No.	Serial Number	Description	Qty.
▽	9008868	(000000–	) FaST Kit, Injector [M20/T20/m30 FaST III}	1
▲▽	1	9008757	(000000– ) FaST Kit, Ci [inj Reblid, M30/M20 III]	1
▲▲	2	9008848	(000000– ) FaST Kit, Seal, injector, Ci [FaST III]	1
▲▲	3	9003009	(000000– ) FaST Kit, Ci, Injector Filters[FaST li+]	1
▲▲	4	1059878	(000000– ) Plate Assy, Orifice, 0.0105ld, Green	1
▲▲	5	1042710	(000000– ) Plug, Orifice, 0.060, Ss [FaST li+]	1
▲▲	6	1059234	(000000– ) Insert, :Lrg [Venturi, FaST III]	1
▲▲	7	1030444	(000000– ) Valve, Check, 0002psi [FaST li+]	1
▲▲	8	1030441	(000000– ) Valve, Check, 0005psi [FaST li+]	1

**Fig. 15 – Water Pump Motor Breakdown, 1225829**



354649

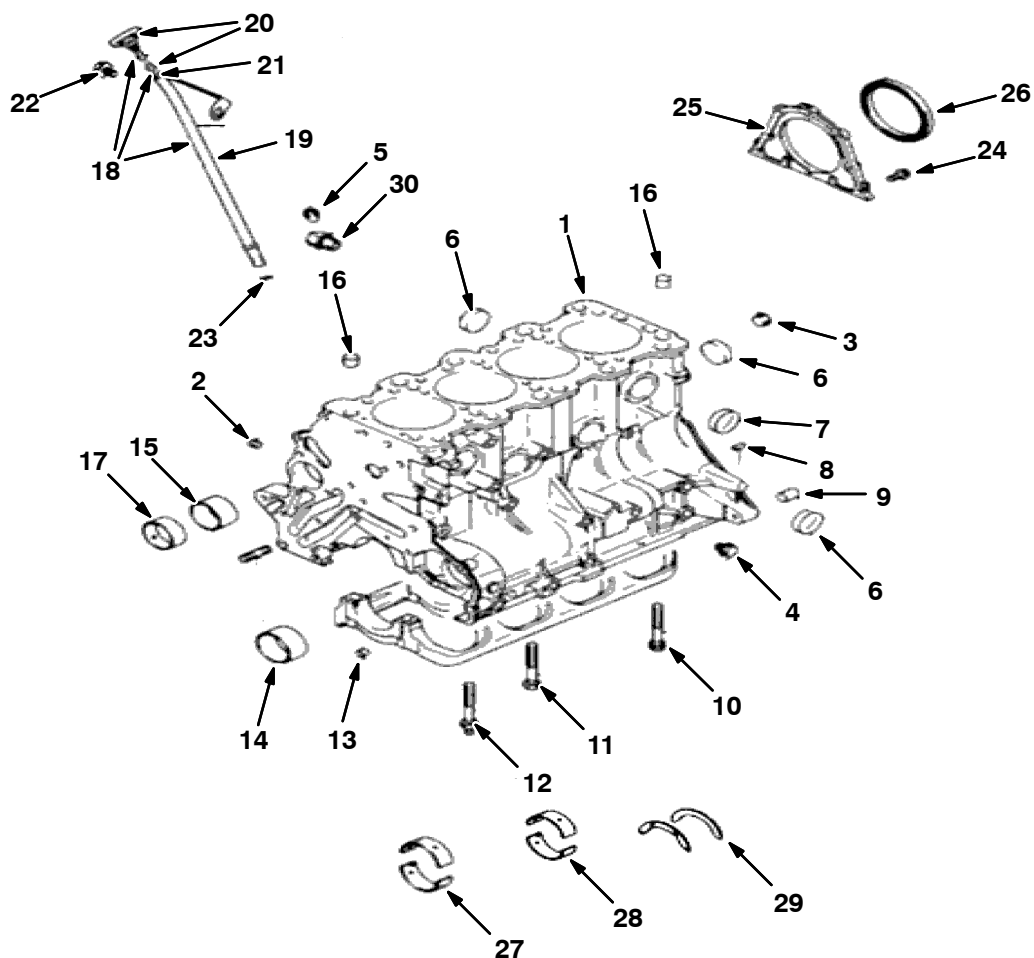
Ref.	Part No.	Serial Number	Description	Qty.
▽	1225829	(000000–	) Pump, Hyd, Press Washer	1
▲	1 9004290	(000000–	) Valve Kit	1
▲	2 9004291	(000000–	) Piston Kit	1
▲	3 9004288	(000000–	) Seal Kit [Buna]	1
▲	3 9004272	(000000–	) Seal Kit [Vitron]	1
▲	4 9004289	(000000–	) Seal Kit, Oil	1
▲	5 9004292	(000000–	) Ring Kit, Spt	1
▲	6 1227137	(000000–	) Valve, Hyd, Press Washer	1



# SECTION 5

Contents	Page
Fig. 1 – Cylinder Block Group .....	5-2
Fig. 2 – Rocker Cover Group .....	5-4
Fig. 3 – Cylinder Head Group .....	5-5
Fig. 4 – Front Cover and Oil Pan Group ....	5-6
Fig. 5 – Camshaft and Valve Group .....	5-8
Fig. 6 – Piston and Crankshaft Group .....	5-10
Fig. 7 – Balancer Group .....	5-11
Fig. 8 – Oil Pump and Pressure Switch Group .....	5-12
Fig. 9 – Water Pump Group .....	5-13
Fig. 10 – Intake Manifold Gasket Group ...	5-14
Fig. 11 – Exhaust Manifold Gasket Group ..	5-16
Fig. 12 – Fan Tensioner and Pump Mount Group .....	5-17
Fig. 13 – Flywheel Group .....	5-18
Fig. 14 – Ignition Coil and Spark Plug Group .....	5-19
Fig. 15 – Starter / Alternator Group .....	5-20
Fig. 16 – Remote Oil Filter Group .....	5-21
Fig. 17 – Coolant Group .....	5-22
Fig. 18 – DSR Coolant Group, LPG Engine	5-23
Fig. 19 – Electrical Group .....	5-24
Fig. 20 – Fuel Rail Group, Gasoline Engine	5-26
Fig. 21 – Throttle Body Group, Gasoline Engine .....	5-27
Fig. 22 – Throttle Body Group, LPG Engine	5-28
Fig. 23 – Vaporizer Group, LPG Engine ...	5-29
Fig. 24 – Electronic Pressure Regulator (EPR) Group, LPG Engine .....	5-30

Fig. 1 - Cylinder Block Group

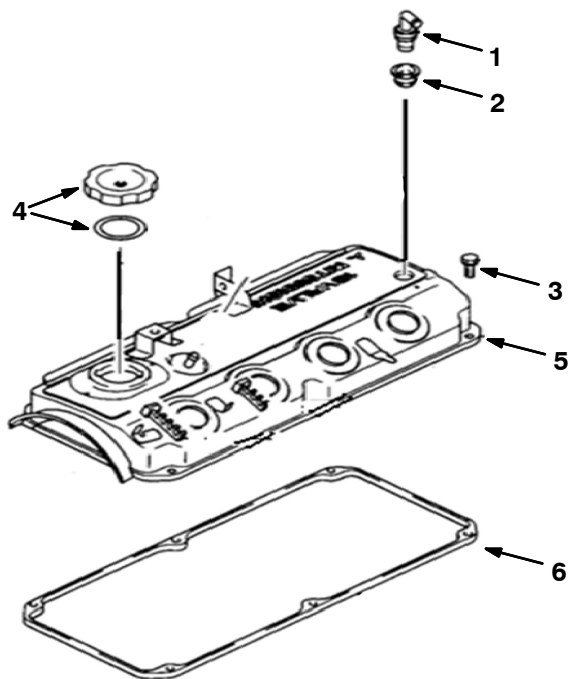




**Fig. 1 – Cylinder Block Group**

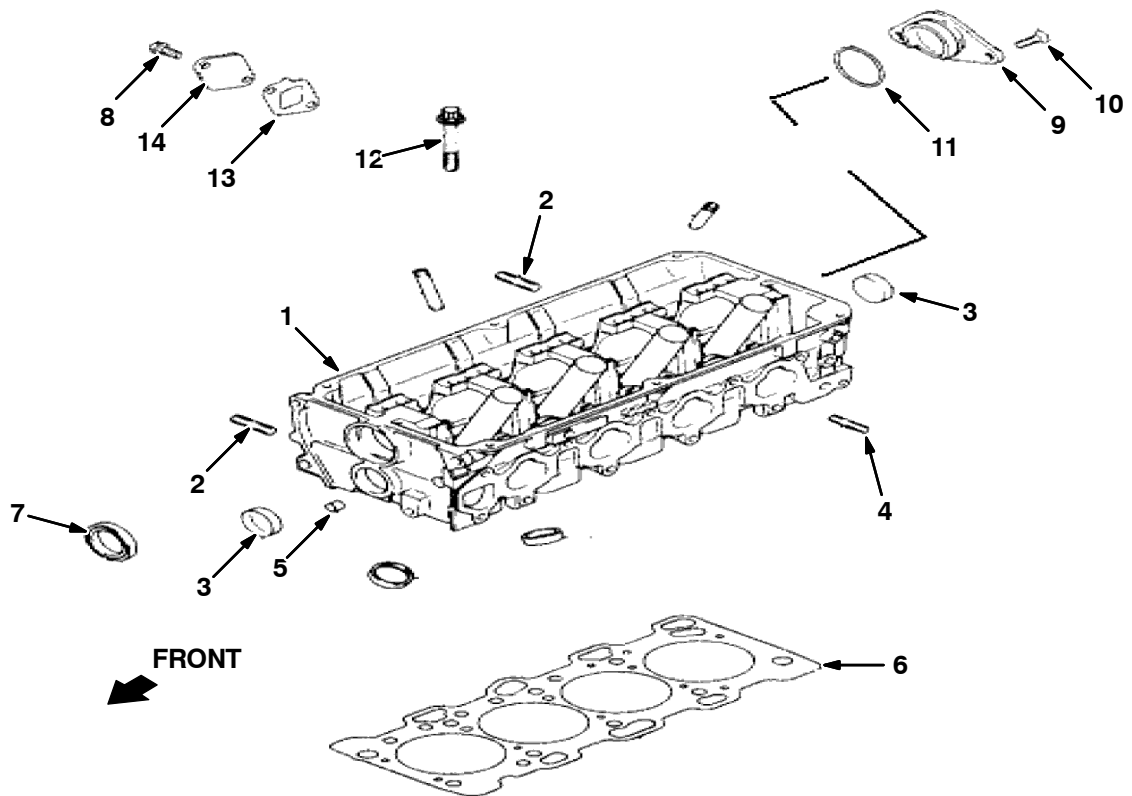
	<b>Ref.</b>	<b>Part No.</b>	<b>Description</b>	<b>Qty.</b>
▽	1	9010419	Block Assy, Cylinder	1
▲	2	9010420	Plug, Taper	2
▲	3	9010421	Plug, Taper	1
▲	4	9010422	Plug	1
▲	5	9010423	Plug, Taper	1
▲	6	9010424	Cap, Seal	7
▲	7	9010425	Cap, Seal	2
▲	8	9010426	Pin, Dowel	2
▲	9	9010427	Bushing, Knock	2
▲	10	9010428	Bolt, Cap, Bearing	2
▲	11	9010429	Bolt, Cap, Bearing	7
▲	12	9010430	Bolt, Cap, Bearing	1
▲	13	9010431	Bushing	2
▲	14	9010432	Bearing, Std, Balancer	1
▲	14	9010433	Bearing, Oversize [1.0]	1
▲	15	9010434	Bearing, Std, Balancer	1
▲	15	9010435	Bearing, Oversize [1.0]	1
▲	16	9010436	Bushing, Knock	2
▲	17	9010458	Bearing, Shaft, Std, Balancer	1
▲	17	9010459	Bearing, Shaft, Balancer [ OvrSz]	1
▽	18	9010439	Dipstick Assy, Guage	1
▲	19	9010440	Dipstick, Guage, Guide	1
▲▽	20	9015866	Dipstick, Oil	1
▲▲	21	9010438	O-Ring	1
	22	9010441	Bolt, Flange	1
	23	9010442	O-Ring	1
	24	9010444	Bolt, Flange	5
	25	9010445	Seal, Case, Oil, Rear	1
	26	9010446	Seal, Oil	1
	27	9010447	Bearing, Cshft [Green Std 1,2,4,5]	4
	27	9010448	Bearing, Cshft [Yellow Std 1,2,4,5]	4
	27	9010449	Bearing, Cshft[No Color Std 1,2,4,5]	4
	27	9010450	Bearing, Cshft [ Lan Std 1,2,4,5]	4
	27	9010451	Bearing, Cshft [ Red Std 1,2,4,5]	4
	28	9010452	Bearing, Cshft [ Green Std 3]	1
	28	9010453	Bearing, Cshft [ Yellow Std 3]	1
	28	9010454	Bearing, Cshft [ No Color Std 3]	1
	28	9010455	Bearing, Cshft [ Lan Std 3]	1
	28	9010456	Bearing, Cshft [ Black Std 3]	1
	29	9010457	Bearing, Thrust, Cshft	1
	30	9010443	Drain, Water, Joint	1

Fig. 2 – Rocker Cover Group



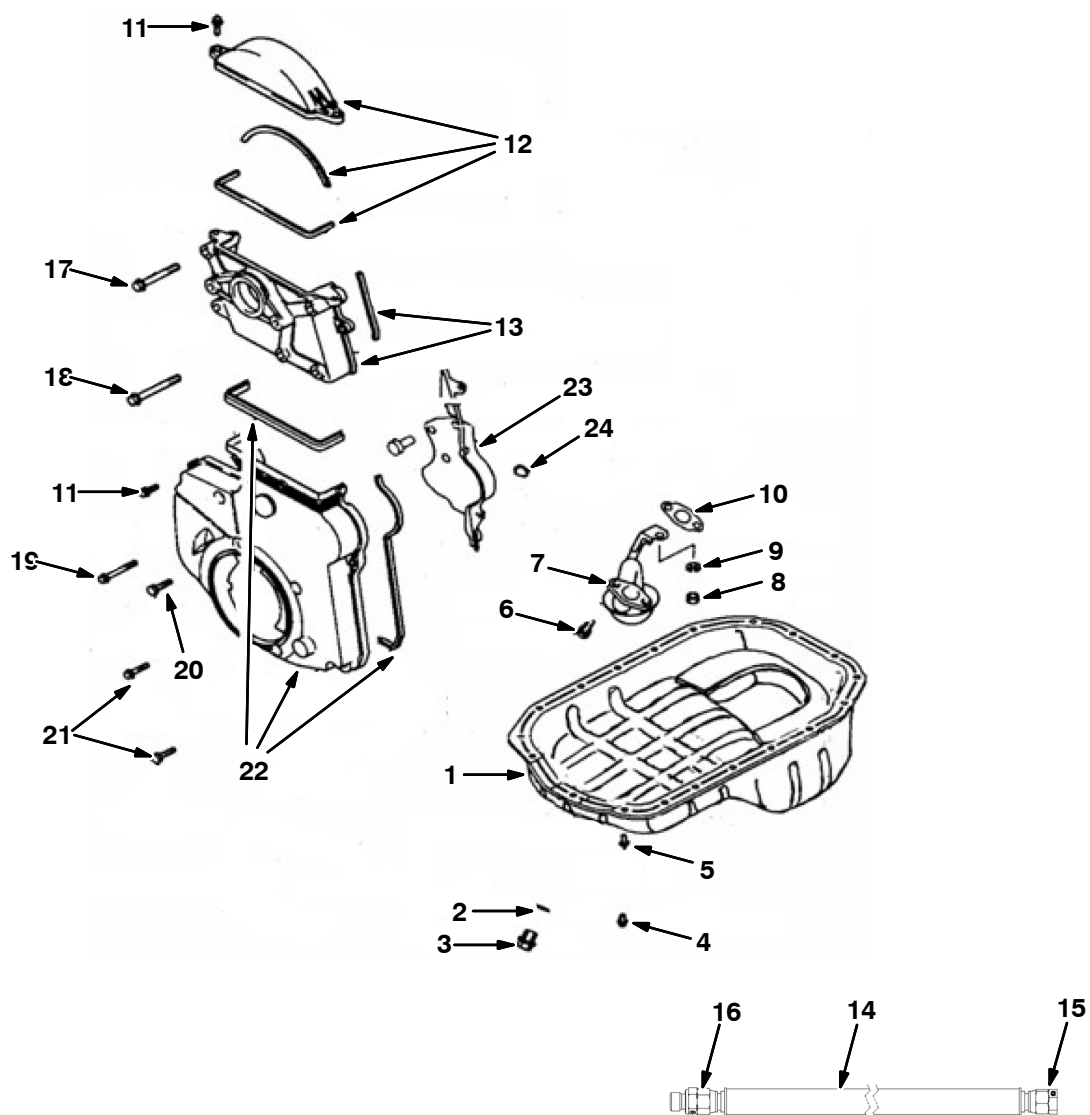
Ref.	Part No.	Description	Qty.
1	9010460	Valve, Pcv	1
2	9010461	Valve, Gasket, Pcv	1
3	9010462	Bolt, Rocker, Cover	6
4	9010464	Cap, Oil, Filler	1
5	9010466	Cover Assy, Rocker	1
6	9010465	Gasket, Cover, Rocker	1

Fig. 3 – Cylinder Head Group



Ref.	Part No.	Description	Qty.	
▽	1	9014162	Head Kit, Cyl [Mitsubishi 2015 12mm]	1
▲▽		9014161	Head Assy, Cylinder[Mits 2015 12mm]	1
▲▲	2	9010473	Stud	2
▲▲	3	9010469	Seal, Cap	2
▲▲	4	9010470	Stud	3
▲▲	5	9010431	Bushing	2
▲	6	9010468	Gasket, Cylinder, Head	1
▲		9010465	Gasket, Cover, Rocker	1
▲		9014160	Plug, Spark [Mitsubishi 2015 12mm]	4
	7	9010471	Seal, Cam Shaft, Front	1
	8	9010441	Bolt, Flange	2
	9	9010480	Thurst, Case	1
	10	9010481	Screw	2
	11	9010482	O-Ring	1
	12	9010484	Cylinder Assy, Head, Bolt	10
	13	9010483	Gasket	1
	14	9010485	Cover	1

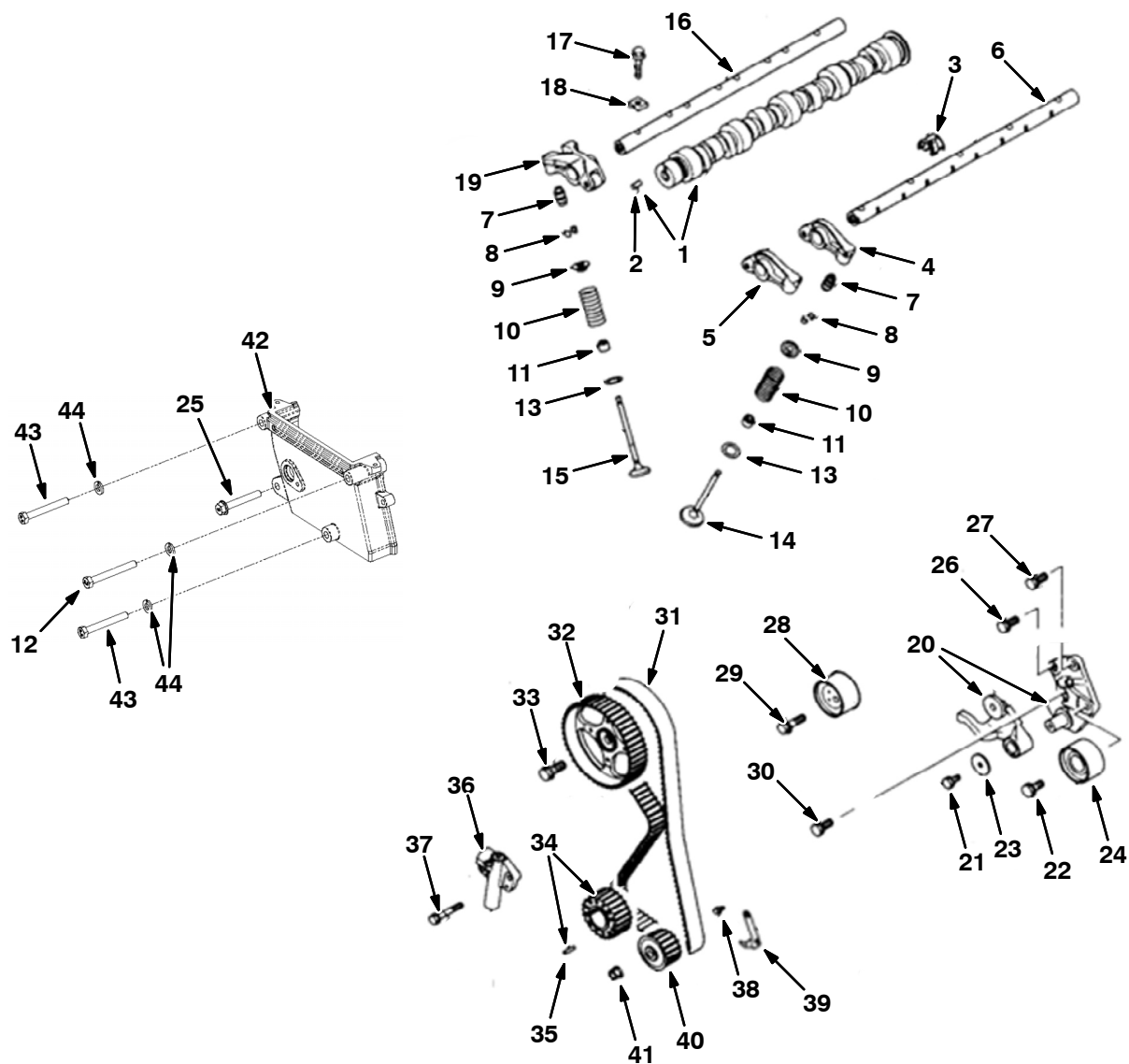
## Fig. 4 - Front Cover and Oil Pan Group



**Fig. 4 – Front Cover and Oil Pan Group**

	<b>Ref.</b>	<b>Part No.</b>	<b>Description</b>	<b>Qty.</b>
▽	1	9010487	Pan, Oil	1
▲	2	9010488	Gasket, Plug, Drain, Oil	1
▲	3	9010489	Plug, Oil, Drain	1
	4	9010490	Bolt, Flange	17
	5	9010491	Bolt, Flange	2
	6	9010492	Washer, Bolt	2
	7	9010493	Screen, Oil	1
	8	9010494	Nut, Strainer	1
	9	9010495	Washer, Strainer	1
	10	9010496	Gasket, Screen	1
	11	9010497	Bolt, Flange	8
	12	9010498	Cover Assy, Front, Upper [T-Belt]	1
	13	9010502	Bracket Assy, Coil, Ignition	1
	14	9010311	Hose, Drain, Oil [Mit 20/24m]	1
	15	9010312	Plug, Flare, 37deg [Mit]	1
	16	9010313	Fitting, 37deg [Mit]	1
	17	9010503	Bolt, Flange	3
	18	9010504	Bolt, Flange	1
	19	9010505	Bolt, Flange	1
	20	9010506	Bolt	2
	21	9010507	Bolt	2
	22	9010508	Cover, Lower, Front [T-Belt]	1
	23	9010511	Cover, Rear [T-Belt]	1
	24	9010512	Plug, Rubber	1

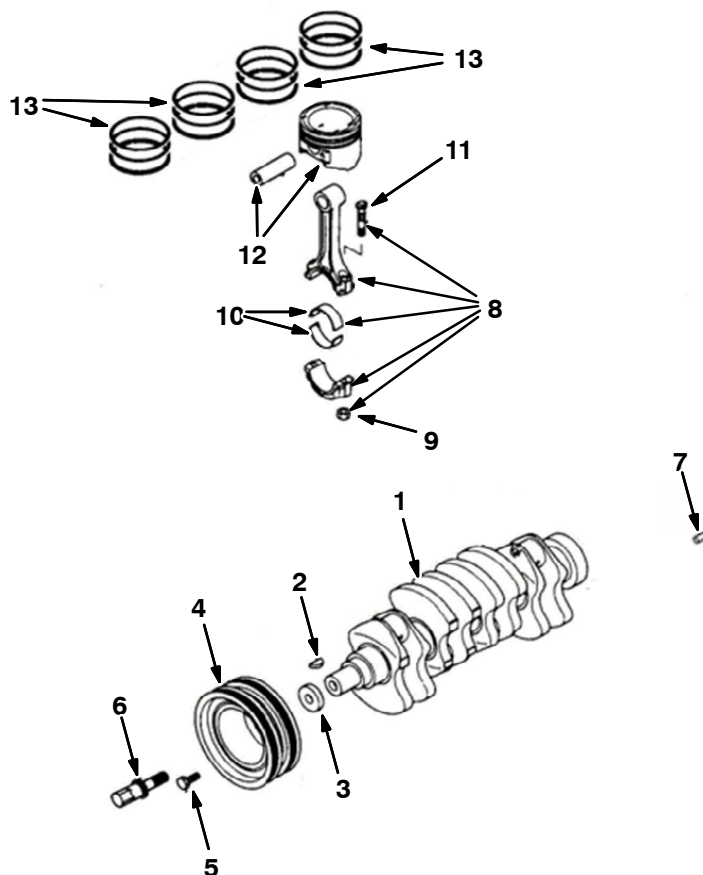
## Fig. 5 - Camshaft and Valve Group



**Fig. 5 – Camshaft and Valve Group**

	<b>Ref.</b>	<b>Part No.</b>	<b>Description</b>	<b>Qty.</b>
▽	1	9010530	Camshaft Assy	1
▲	2	9010535	Pin, Dowel	1
	3	9010532	Shaft, Spring, Rocker	4
	4	9010533	Arm Assy, Rocker [B]	4
	5	9010534	Arm Assy, Rocker [A]	4
	6	9010531	Shaft, Arm , Rocker	1
	7	9010536	Adjuster Assy, Lash	16
	8	9010537	Valve, Spring, Lock	32
	9	9010538	Valve, Spring, Retainer	16
	10	9010539	Valve, Spring	16
	11	9010540	Valve, Seal, Stem	16
	12	9010253	Bolt, M8-1.25 X 70 Hxhd [Mit]	1
	13	9010541	Valve, Spring, Seat	16
	14	9010542	Valve, Inlet	8
	15	9010543	Valve, Exhaust	8
	16	9010544	Shaft, Arm, Rocker	1
	17	9010545	Bolt, Flange	13
	18	9010546	Shaft, Cap, Rocker	13
	19	9010547	Arm Assy, Rocker [C]	4
▽	20	9010548	Bracket, Pulley, Tensioner	1
▲	21	9010549	Bolt, Washer	1
▲	22	9010550	Bolt, Washer	1
▲	23	9010551	Washer	1
▲	24	9010552	Pulley, Idler	1
	25	9010254	Bolt, M8-1.25 X 55 Fi Hd [Mit]	1
	26	9010554	Bolt, Seal	1
	27	9010555	Bolt, Washer	1
	28	9010556	Pulley, Tensioner	1
	29	9010557	Bolt, Washer	1
	30	9010550	Bolt, Washer	1
	31	9010559	Belt, Timing	1
	32	9010560	Sprocket, Camshaft	1
	33	9010561	Bolt, Flange	1
▽	34	9010562	Sprocket Assy, Cshft	1
▲	35	9010563	Pin, Spring	1
	36	9010564	Tensioner	1
	37	9010565	Bolt, Flange	2
	38	9010491	Bolt, Flange	2
	39	9010567	Bracket, Indicator, Timing	1
	40	9010568	Sprocket, Pump, Oil	1
	41	9010569	Nut	1
	42	9010250	Cover, Timing, Gear [Mit 2.0/2.4]	1
	43	9010251	Bolt, M8-1.25 X 65 Hxhd [Mit]	2
	44	9010252	Washer, Lock, M8 [Mit]	3

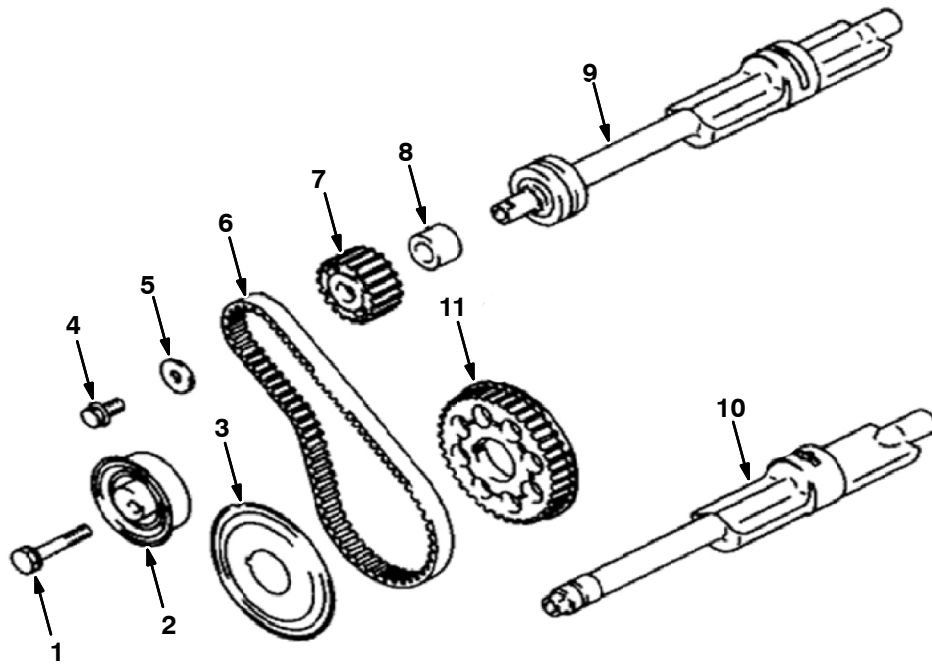
Fig. 6 – Piston and Crankshaft Group



Ref.	Part No.	Description	Qty.	
1	9010513	Crankshaft Assy	1	
2	9010514	Key	1	
3	9010515	Washer, Special	1	
4	9010516	Pulley Assy, Damper, Torsional	1	
5	9010517	Bolt, Washer	4	
6	9010518	Bolt, Sprocket, Cshft	1	
7	9010519	Pin, Dowel	1	
▽	8	9010520	Rod Assy, Connecting	4
▲	9	9010521	Nut	8
▲	10	9010522	Bearing, Rod, Connect [Yellow Std]	4
▲	10	9010523	Bearing, Rod, Connect [No Color Std]	4
▲	10	9010524	Bearing, Rod, Connect [ Lan Std]	4
▲	11	9010525	Bolt, Connecting	8
12	9010526	Piston, Pin [Std A]	4	
12	9010527	Piston, Pin [Std B]	4	
12	9010528	Piston, Pin [Std C]	4	
13	9010529	Piston Set, Ring	1	

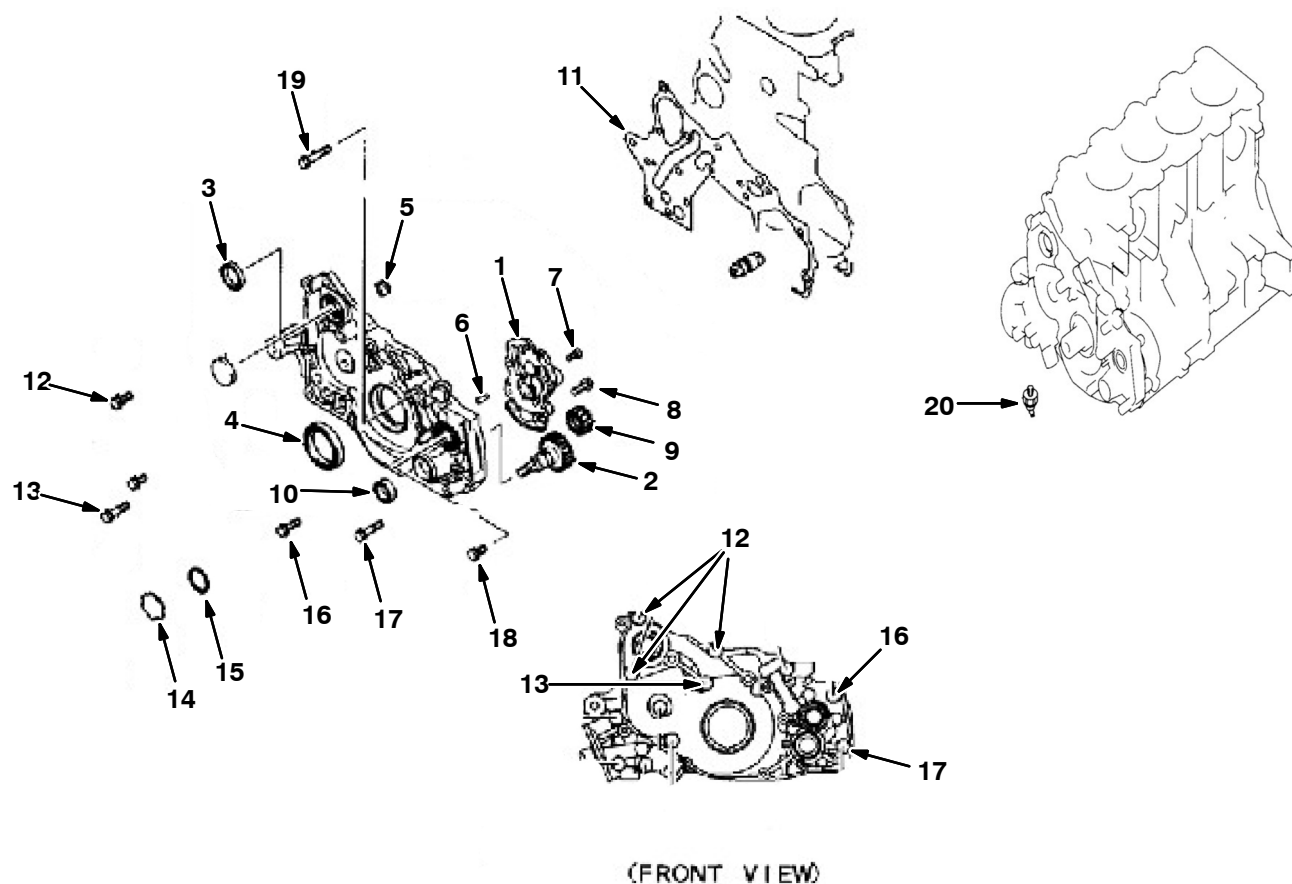


Fig. 7 – Balancer Group



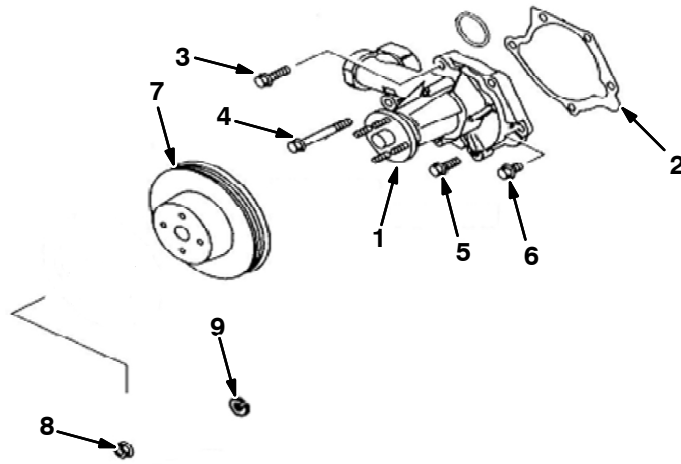
Ref.	Part No.	Description	Qty.
1	9010570	Bolt, Belt, Balancer, Train	1
2	9010571	Tensioner, Timing, Belt	1
3	9010572	Flange, Sprocket, Cshft	1
4	9010600	Bolt, Flange	1
5	9010574	Washer, Belt, Balancer, Train	1
6	9010575	Belt, Timing	1
7	9010576	Sprocket, Shaft, Balancer	1
8	9010577	Spacer, Belt, Balancer, Train	1
9	9010578	Shaft, Right, Balancer	1
10	9010579	Shaft, Left, Balancer	1
11	9010580	Sprocket, Cshft	1

Fig. 8 – Oil Pump and Pressure Switch Group



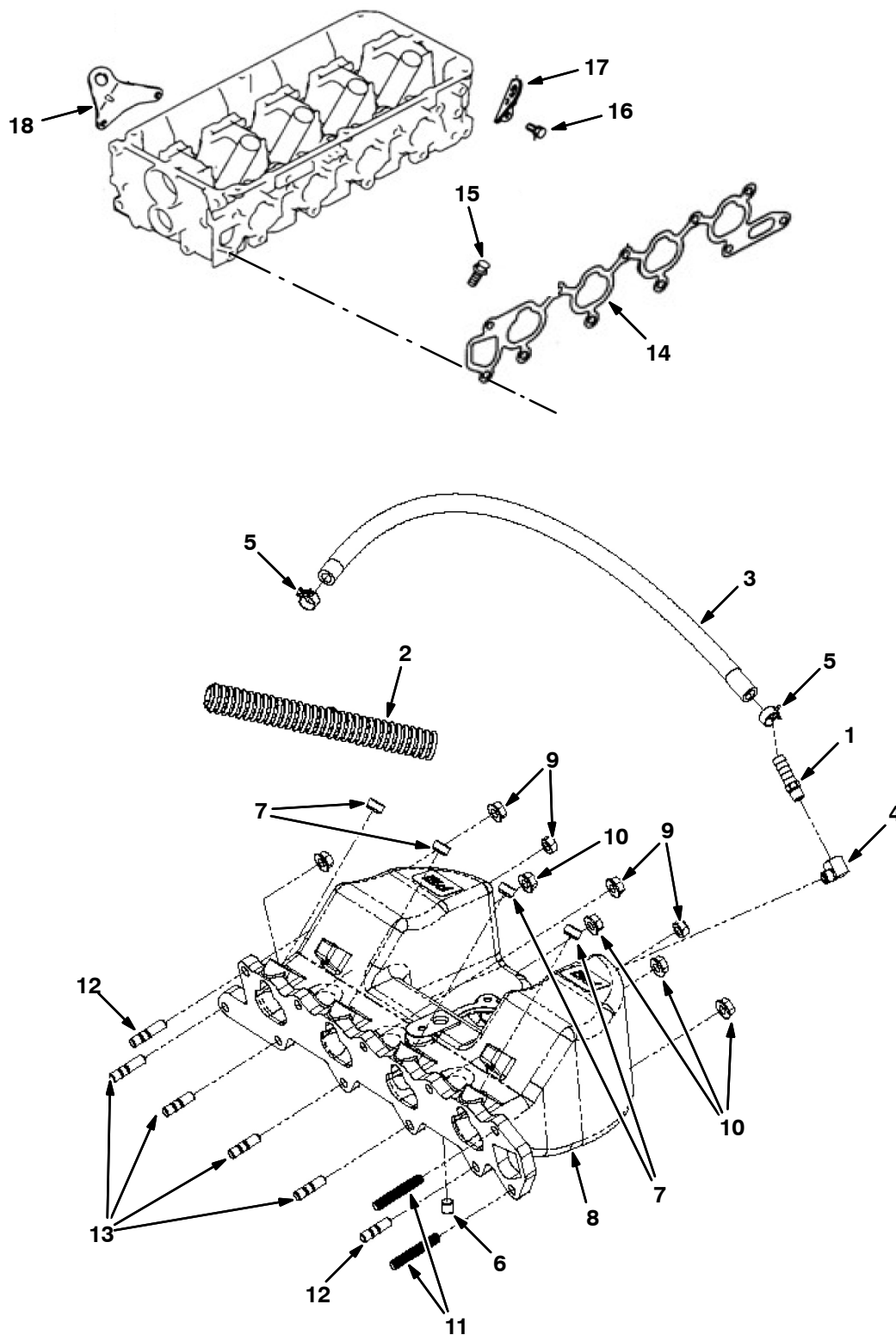
Ref.	Part No.	Description	Qty.	
▽	1	9010582	Pump, Oil	1
▲	2	9010592	Pump, Gear, Drive, Oil	1
▲	3	9010585	Seal, Oil	1
▲	4	9010586	Seal, Oil	1
▲	5	9010587	Plug, Tapper	1
▲	6	9010426	Pin, Dowel	2
▲	7	9010589	Screw	1
▲	8	9010590	Bolt, Flange	4
▲	9	9010591	Pump, Gear, Oil	1
▲	10	9010601	Seal, Oil	1
	11	9010593	Gasket, Case, Front	1
	12	9010594	Bolt, Washer	3
	13	9010595	Bolt, Washer	1
	14	9010596	Plug, Cap	1
	15	9010597	O-Ring	1
	16	9010598	Bolt, Flange	1
	17	9010599	Bolt, Flange	1
	18	9010600	Bolt, Flange	1
	19	9010583	Bolt, Flange	1
	20	9010259	Sender, Oil, Press [Mit] (3 Prong)	1

Fig. 9 - Water Pump Group



Ref.	Part No.	Description	Qty.
1	9010602	Pump, Water	1
2	9010603	Gasket, Pump, Water	1
3	9010604	Bolt, Flange	1
4	9010503	Bolt, Flange	1
5	9010606	Bolt, Flange	2
6	9010607	Bolt, Flange	1
7	9010612	Pulley, Pump, Water	1
8	9010609	Nut, Flange	4
9	9010610	Washer, Spring	4

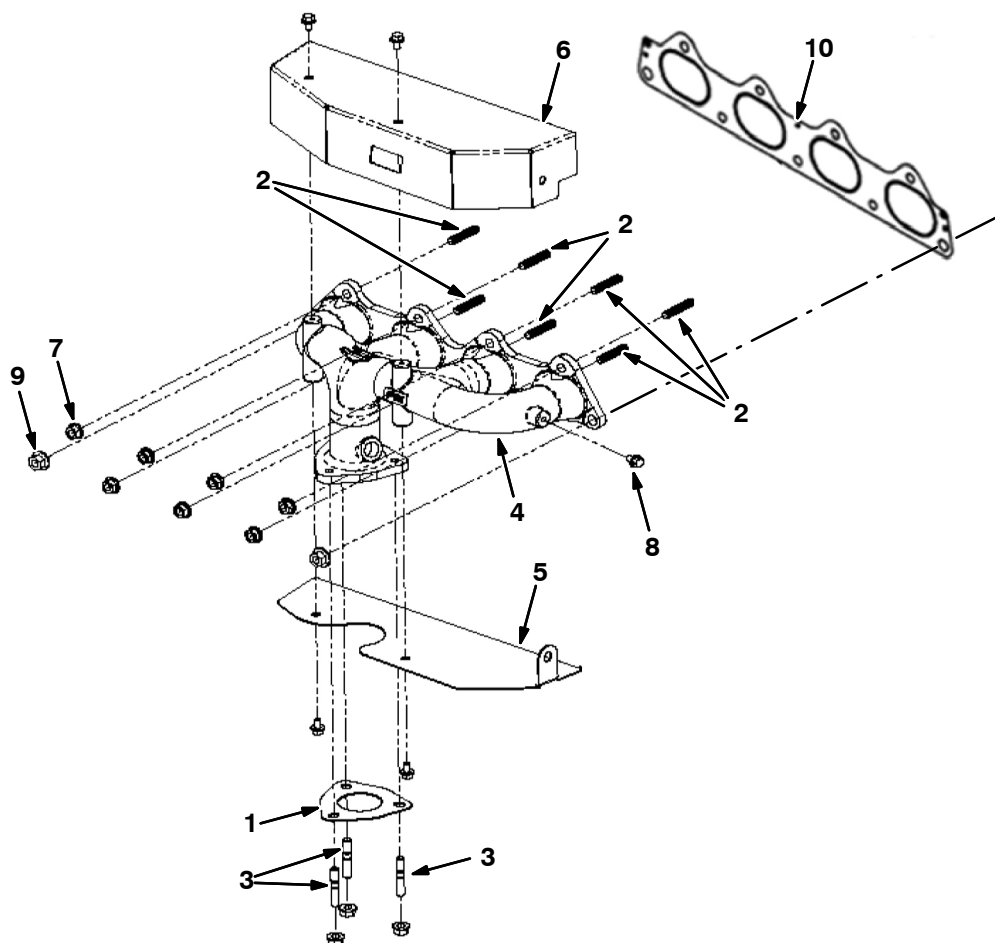
**Fig. 10 – Intake Manifold Gasket Group**



**Fig. 10 – Intake Manifold Gasket Group**

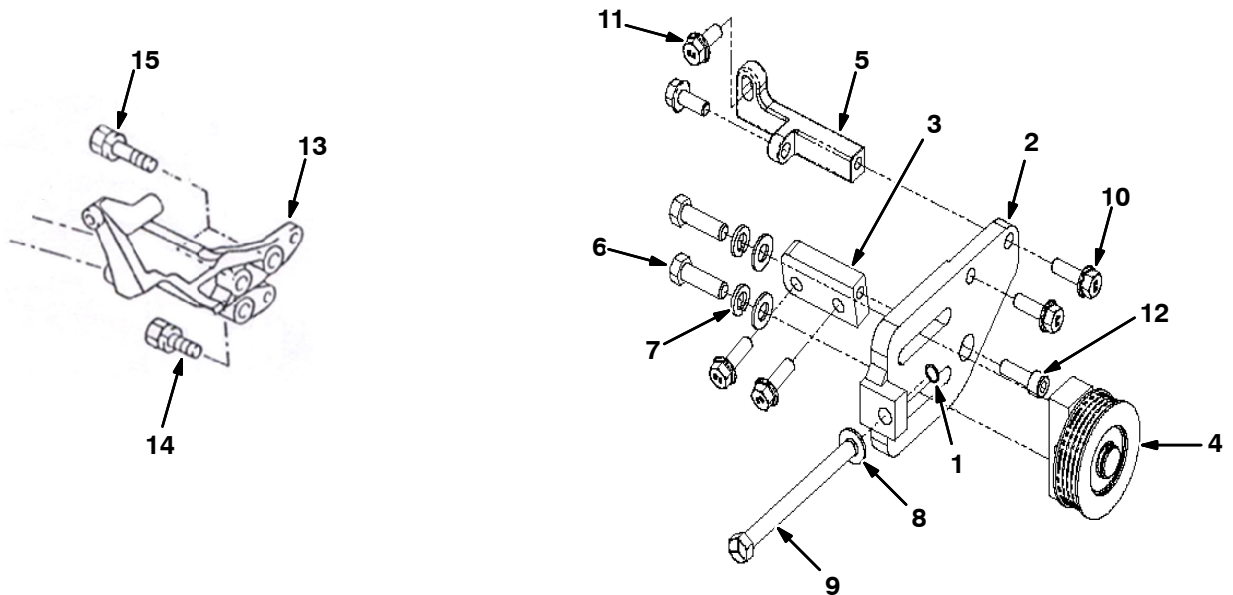
<b>Ref.</b>	<b>Part No.</b>	<b>Description</b>	<b>Qty.</b>
1	9010382	Fitting, 1/8 Mpt X 3/8 Hb [Mit]	1
2	9010281	Loom, Convolute, Split 5/8 [Mit]	17"
3	385001	Hose, Fuel, .38d, Rbr[16"L]	20"
4	9010383	Elbow, 1/8m X 1/8f, 90 [Mit]	1
5	9010282	Clamp, 3/8id [Mit Olive Green]	2
6	9010283	Plug, 1/8 Npt, Brs, Skt Hd [Mit]	1
7	9010284	Plug, Injector [Mit]	4
8	9010285	Manifold, Intake [Mit 20/24m Tilt]	1
9	9010286	Nut, M8-1.25 [Mit]	2
10	385015	Nut, Flng, M8	7
11	9010287	Stud, M8-1.25 X 50 Full Thrd [Mit]	2
12	9010288	Stud, M8-1.25 X 35 [Mit Double End]	2
13	9010384	Stud, M8-1.25 X 30 [Mit Double End]	4
14	9010613	Gasket, Manifold, Intake	1
15	9010606	Bolt, Flange	2
16	9010615	Bolt, Manifold, Inlet	1
17	9010617	Hanger, Engine	1
18	9010618	Hanger, Engine	1

**Fig. 11 – Exhaust Manifold Gasket Group**



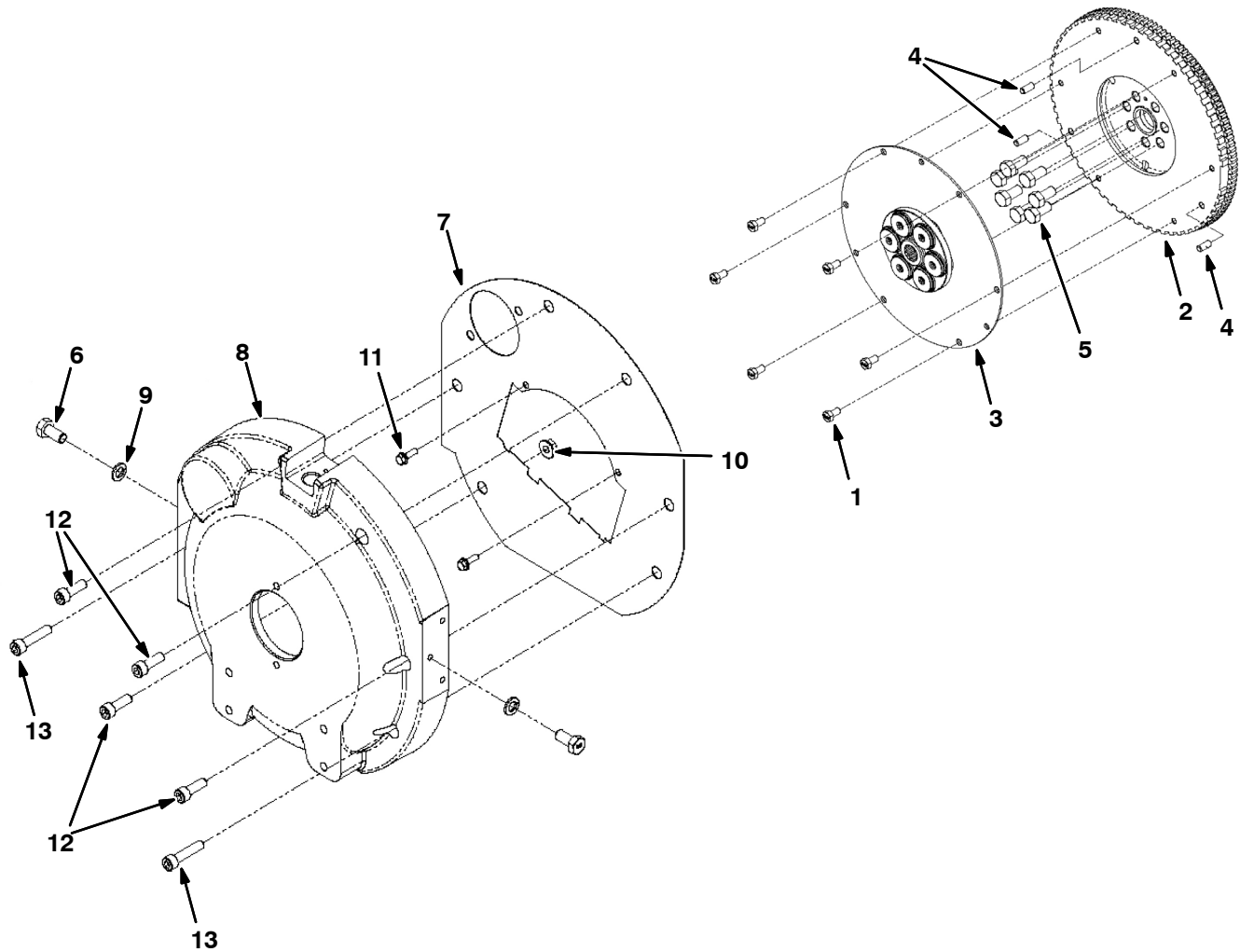
Ref.	Part No.	Description	Qty.
1	9010296	Gasket, Manifold, Exh [Mit]	1
2	9010297	Stud, M8-1.25 X 40 [Mit]	7
3	372020	Stud, Manifold, Intake, M8 X 28	3
4	9010298	Manifold, Exhaust [Mit 2.0/2.4]	1
5	9010302	Shield, Heat, Lower [Mit 20/24m]	1
6	9010303	Shield, Heat, Upper [Mit 20/24m]	1
7	9015915	Nut [2.4l Mit]	10
8	9010262	Bolt, M6-1.0 X 10 Fl Hd [Mit]	5
9	9015916	Nut [2.4l Mit]	2
10	9010619	Gasket, Manifold, Exhaust	1

Fig. 12 – Fan Tensioner and Pump Mount Group



Ref.	Part No.	Description	Qty.
1	371562	Ring, Retaining	1
2	9010222	Plate, Tensioner, Adj [Mit 2.0/2.4]	1
3	9010223	Bar, Tensioner, Mtg [Mit 2.0/2.4]	1
4	9010224	Pulley, Tensioner, Assy[Mit2.0/2.4]	1
5	9010225	Bracket, Tensioner, [Mit 2.0/2.4]	1
6	9010226	Bolt, 3/8-16 X 1 1/4 Hxhd [Mit]	2
7	371509	Washer, Lock, 0.38	2
8	9010227	Washer, Flat 3/8, Sae	3
9	9010228	Bolt, 3/8-16 X 4.5 [Mit]	1
10	9010229	Bolt, M8-1.25 X 25 [Mit]	4
11	9010230	Bolt, M8-1.25 X 20 Fl Hd [Mit]	2
12	9010231	Bolt, M8-1.25 X 25 Soc Hd [Mit]	1
13	9010623	Bracket, Pump, Mtg	1
14	9010624	Bolt, Washer	1
15	9010625	Bolt, Washer	2

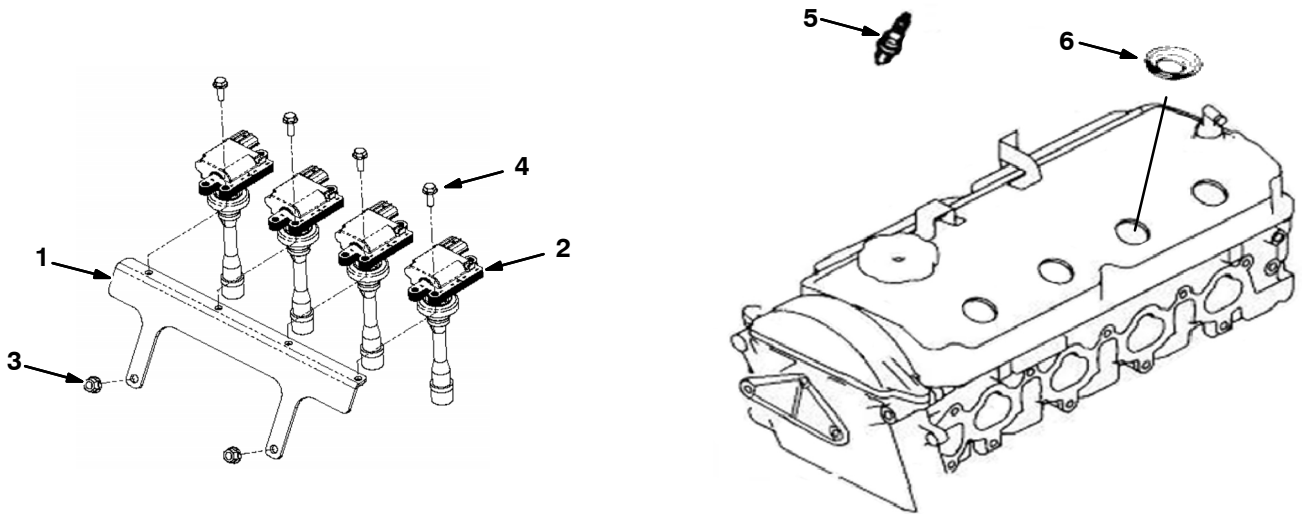
Fig. 13 – Flywheel Group



Ref.	Part No.	Description	Qty.
1	9010232	Bolt, M8-1.25 X 15, Hx Hd [Mit]	6
2	9010233	Flywheel, Flatface [Mit 20/24m]	1
3	9010234	Coupling, Flywheel [Mit20/24m]	1
4	9010235	Pin, Flywheel [Mit 20/20m]	3
5	9010236	Bolt, Flywheel [Mit 20/24m]	7
6	9010359	Bolt, M12-1.75 X 25, Hex Hd [Mit]	2
7	9010237	Cover, Dust [Mit 2.0l]	1
8	9010238	Housing, Flywheel [Mit 2.0l]	1
9	9010360	Washer, Lock, M12 [Mit]	2
10	9010239	Nut, M10-1.25 Flg [Mit]	1
11	9010240	Bolt, M6-1.0 X 20 Fl Hd [Mit]	2
12	9010241	Bolt, M10-1.25 X 30 Soc Hd [Mit]	4
13	9010242	Bolt, M10-1.25 X 45 Soc Hd [Mit]	2

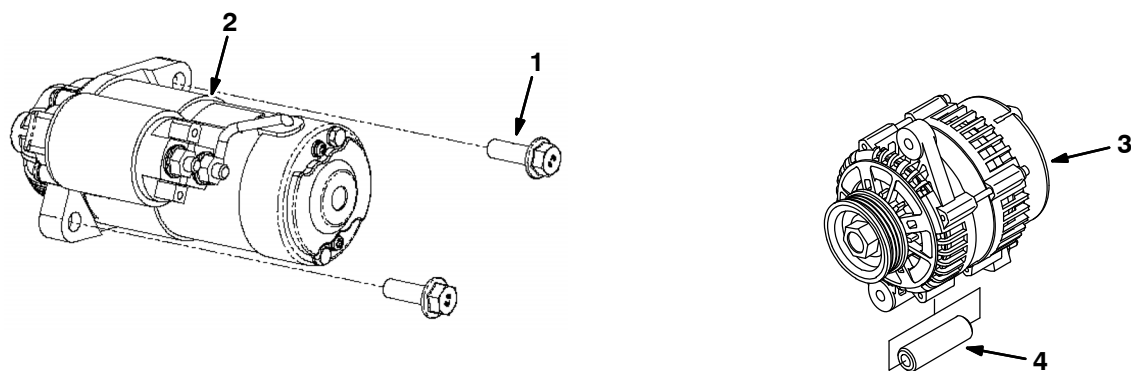


**Fig. 14 – Ignition Coil and Spark Plug Group**



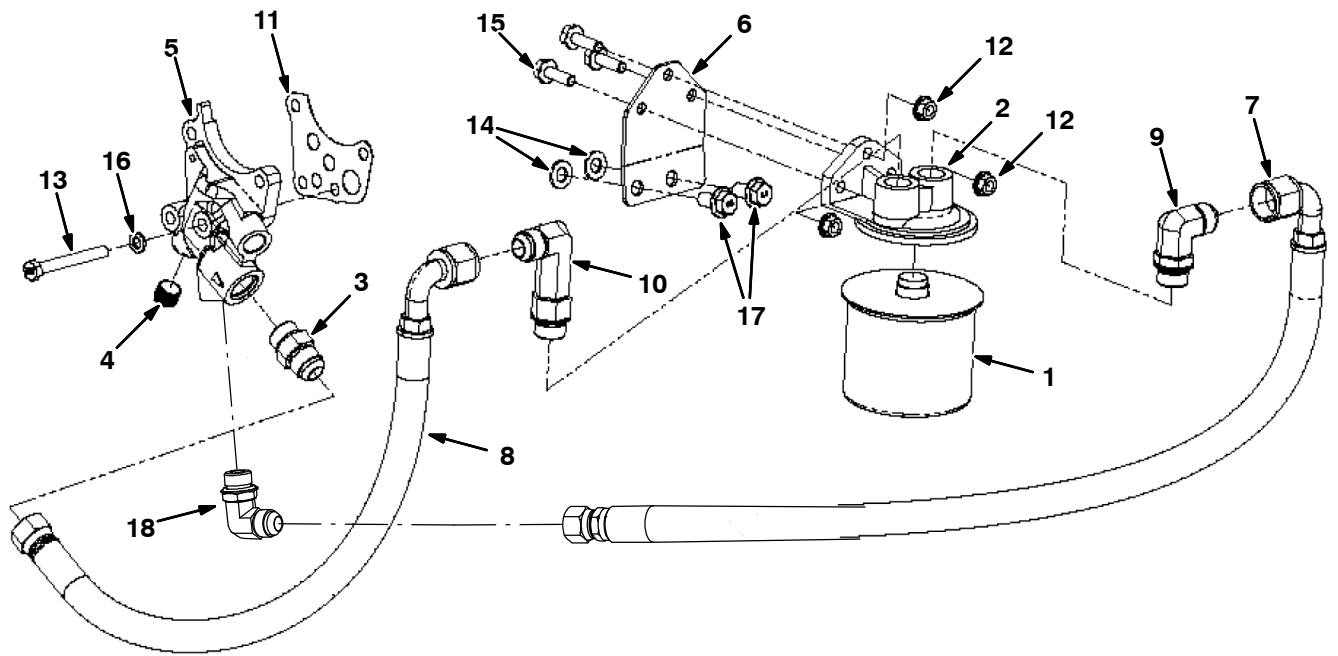
Ref.	Part No.	Description	Qty.
1	9010243	Bracket, Coil [Mit 2.0/2.4]	1
2	9010244	Coil, Ignition [Mit 2.0/2.4]	4
3	385015	Nut, Flng, M8	2
4	9010240	Bolt, M6-1.0 X 20 Fl Hd [Mit]	4
5	9014160	Plug, Spark [Mitsubishi 2015 12mm]	4
6	9010479	Seal, Oil	4

Fig. 15 – Starter / Alternator Group



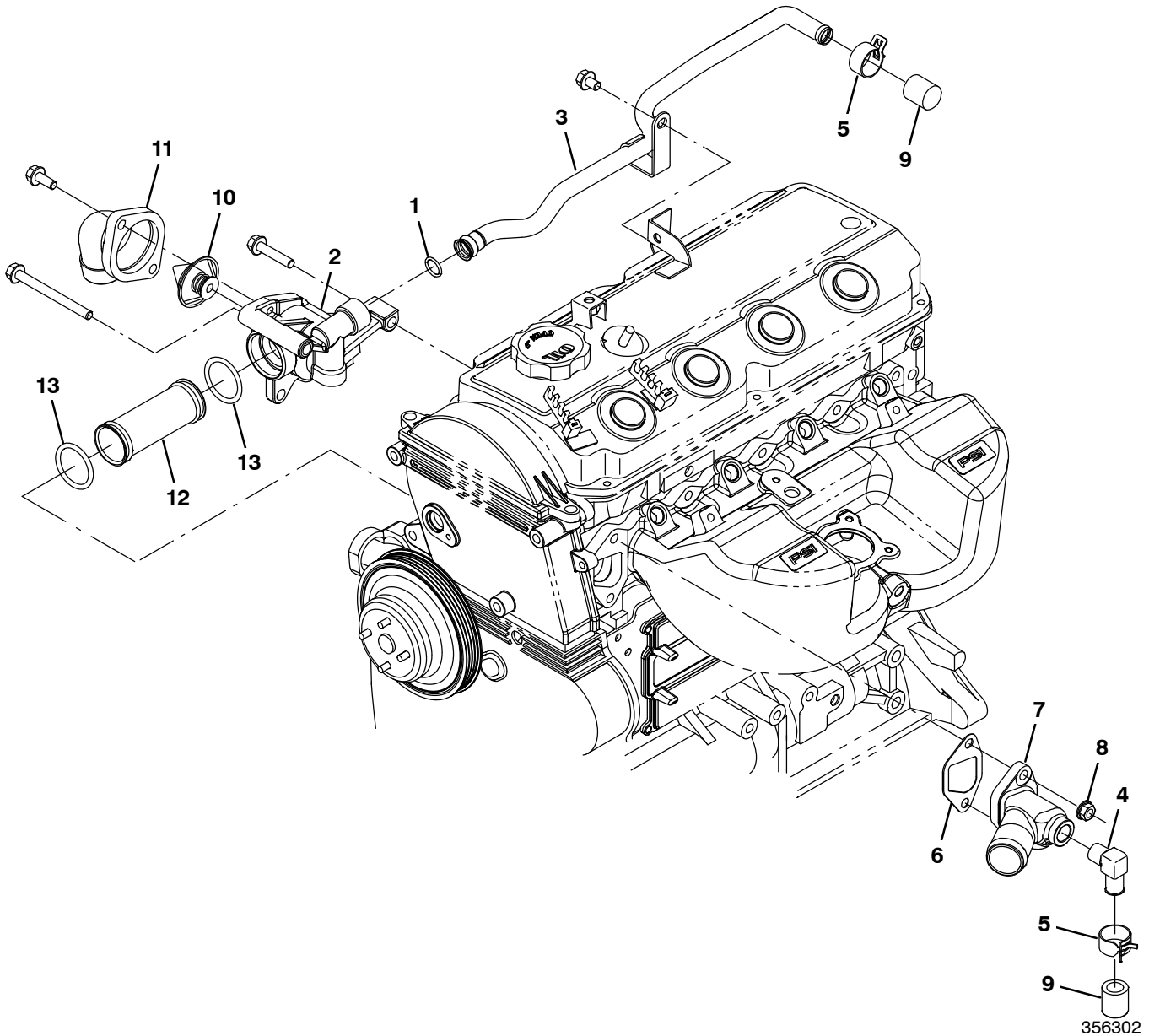
Ref.	Part No.	Description	Qty.
1	9010245	Bolt, M10-1.50 X 30 [Mit]	2
2	9010246	Starter, Motor [Mit 2.0/2.4]	1
3	9010217	Alternator, 7si [Mit Df Sur-Belt]	1
4	9010219	Spacer, Alternator [Mit 2.0/2.4]	1

Fig. 16 - Remote Oil Filter Group



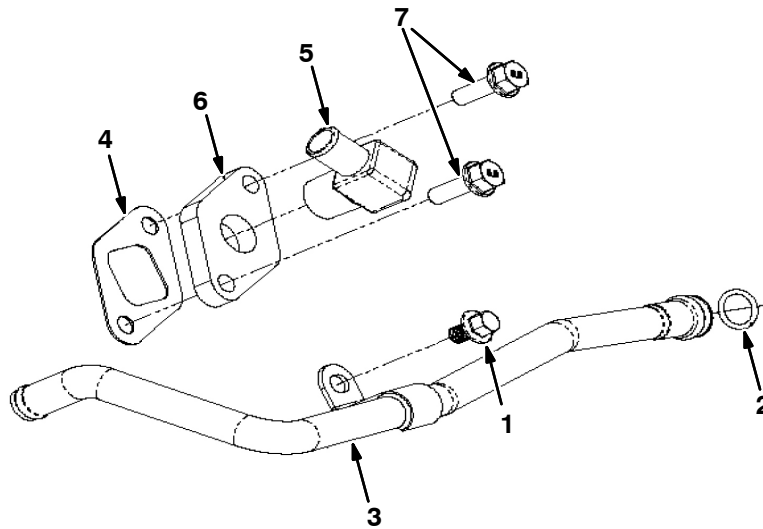
Ref.	Part No.	Description	Qty.
1	393982	Element, Fltr, Oil, Spin-On (Mits)	1
2	371503	Mount, Fltr, Remote	1
3	9010371	Fitting, Str, 10-10 Orb, 37fi [Mit]	1
4	9010372	Plug, 3/8npt X 5/16, Brs [Mit]	1
5	9010373	Adapter, Filter, Oil, Remote [Mit]	1
6	9010374	Bracket, Filter, Oil, Remote [Mit]	1
7	9010376	Hose, 90xstr,Fltr, Oil, Remote[Mit]	1
8	9010376	Hose, 90xstr,Fltr, Oil, Remote[Mit]	1
9	9010628	Elbow	1
10	9010629	Elbow	1
11	9010377	Gasket, Oil, Adapter [Mit 2.0/2.4]	1
12	385015	Nut, Flng, M8	3
13	9010253	Bolt, M8-1.25 X 70 Hxhd [Mit]	1
14	9010630	Washer	2
15	9010229	Bolt, M8-1.25 X 25 [Mit]	3
16	9010380	Washer, Lock, M8 [Mit]	1
17	9010631	Bolt	2
18	9010628	Elbow	1

Fig. 17 – Coolant Group



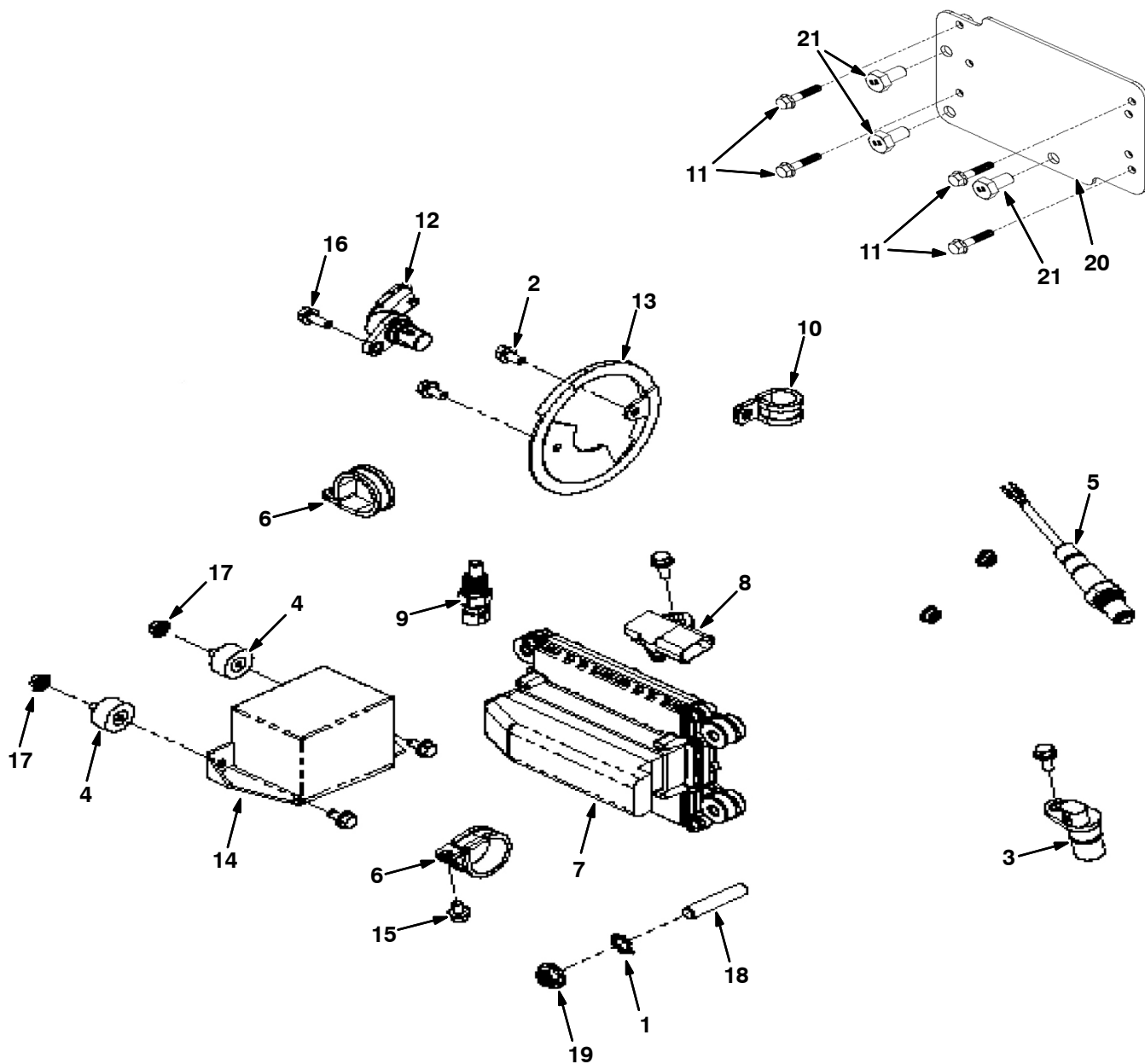
Ref.	Part No.	Description	Qty.
1	9010289	O-Ring [Mit 208 Buna-N]	1
2	9010290	Housing, T-Stat, 2 Holes [Mit]	1
3	9010291	Tube, Water, Line [Mit]	1
4	385011	Fitting, E90	1
5	384979	Clamp, Hose, Spring, 0.62d	2
6	9010632	Gasket, Outlet	1
7	9010294	Outlet, Water, W/Plug [Mit 2.0/2.4l]	1
8	385015	Nut, Flng, M8	2
9	9010295	Cap, Rubber, 5/8id [Mit 2.0/2.4l]	2
10	9010905	Thermostat Kit, Coolant, Replmt [Mitsub]	1
11	9010215	Housing, Thermostat	1
12	9010910	Tube, Pump, Water	1
13	9013530	Seal, Tube, Water [Mit 2.0l]	2

Fig. 18 - DSR Coolant Group, LPG Engine



Ref.	Part No.	Description	Qty.
1	9010305	Bolt, M8-1.25 X 12 [Mit]	1
2	9010289	O-Ring [Mit 208 Buna-N]	1
3	9010306	Tube, Cooling, Line [Mit]	1
4	9010307	Gasket, Water Supply [Mit 2.0/2.4]	1
5	9010308	Fitting, 1/2 Mpt X 5/8bh 90deg [Mit]	1
6	9010309	Plate, Water, Outlet [Mit Bypass]	1
7	9010310	Bolt, M8-1.25 X 25 Flg Hd [Mit]	2

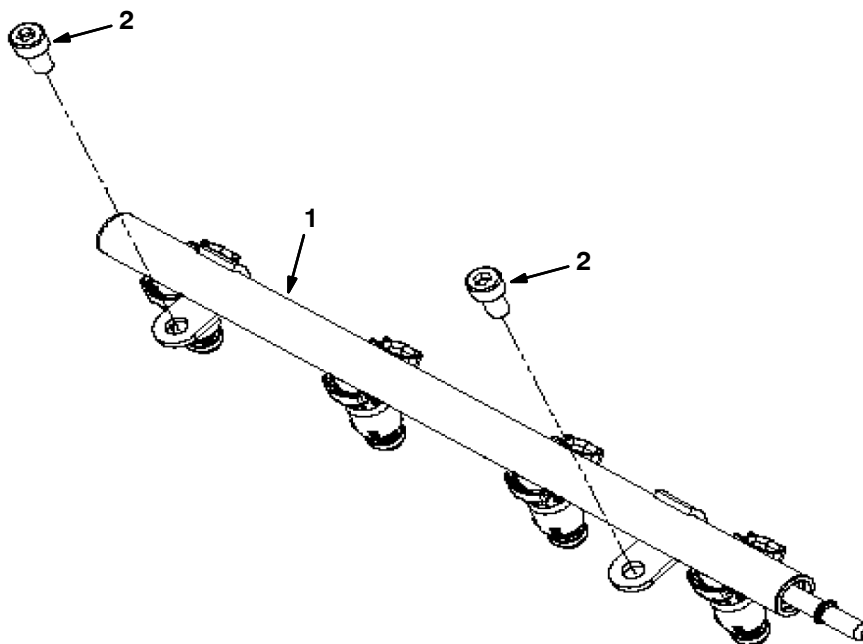
Fig. 19 - Electrical Group



**Fig. 19 – Electrical Group**

<b>Ref.</b>	<b>Part No.</b>	<b>Description</b>	<b>Qty.</b>
1	9010255	Washer, Star, M10 [Mit]	1
2	9010256	Bolt, M6-1.0 X 12 FI Hd PI [Mit]	2
3	372492	Sensor, Spd, Timing Wheel [3.0l]	1
4	9008805	Isolator	2
5	1028558	Sensor, Oxygen, Tailpipe	1
6	9010257	Clamp, 1/4 Hole [Mit #20]	2
7	1071397	Module, Ecu, Gas [Mit 2.0l 2013]	1
7	1071398	Module, Ecu, Lpg [Mit 2.0l 2013]	1
8	372493	Sensor [Tmap]	1
9	372891	Sensor, Temp, Coolant	1
10	9010258	Clamp, 0.75d [Mit]	1
11	9010249	Bolt, M6-1.0 X 30 FI Hd [Mit]	4
12	9010260	Sensor, Camshaft [Mit]	1
13	9010261	Cam, Sensor, Wheel [Mit 2.0/2.4l]	1
14	1071653	Harness, Wire, Eng, Gas [Mit, 2.0l]	1
14	1071654	Harness, Wire, Eng, Lpg [Mit, 2.0l]	1
15	9010262	Bolt, M6-1.0 X 10 FI Hd [Mit]	3
16	9010263	Bolt, M6-1.0 X 16 FI Hd [Mit]	3
17	9010264	Nut, M6-1.0 Flange [Mit]	4
18	9010366	Stud, M10-1.25 X 50, Full Thrd [Mit]	1
19	9010367	Nut, M10-1.25, Hx Flg [Mit]	1
20	9010247	Plate, Mtg, Ecu [Mit 2.0/2.4l]	1
21	9010248	Bolt, M10-1.25 X 20 Hxhd [Mit]	3

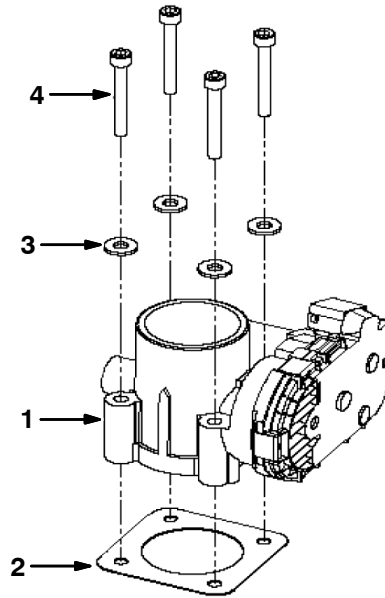
Fig. 20 – Fuel Rail Group, Gasoline Engine



Ref.	Part No.	Description	Qty.
1	9015878	Manifold, Fuel [2.4l Mit]	1
2	9010327	Bolt, M8-1.25 X 16, Soc Hd [Mit]	2

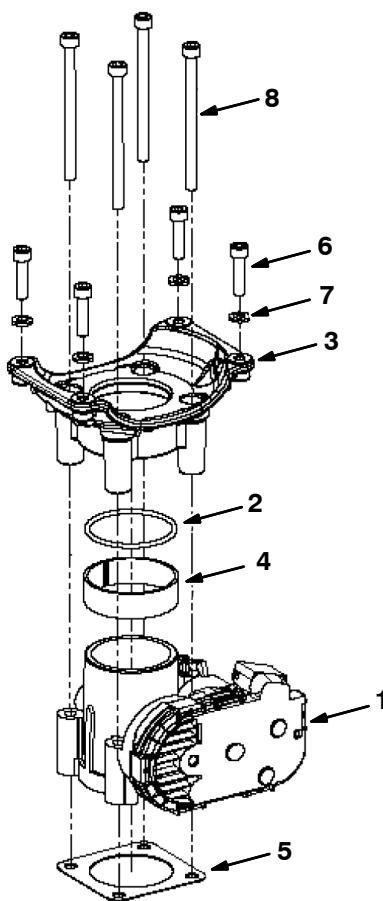


Fig. 21 – Throttle Body Group, Gasoline Engine



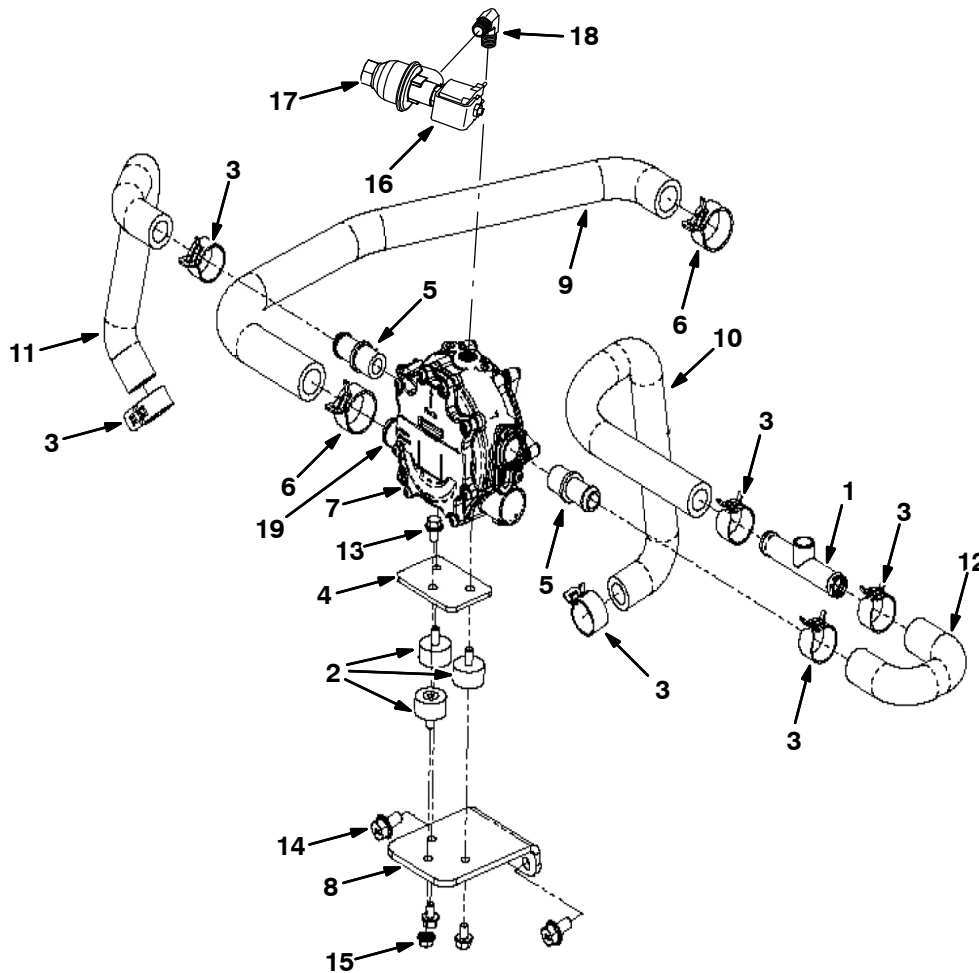
Ref.	Part No.	Description	Qty.
1	9010266	Throttle Body [Mit, Bosch]	1
2	9010268	Gasket, Throttle [Mit 40mm]	1
3	9010330	Washer, 1/4 Flat [Mit]	4
4	9010331	Bolt, M6-1.0 X 45, Skt Hd [Mit]	4

Fig. 22 – Throttle Body Group, LPG Engine



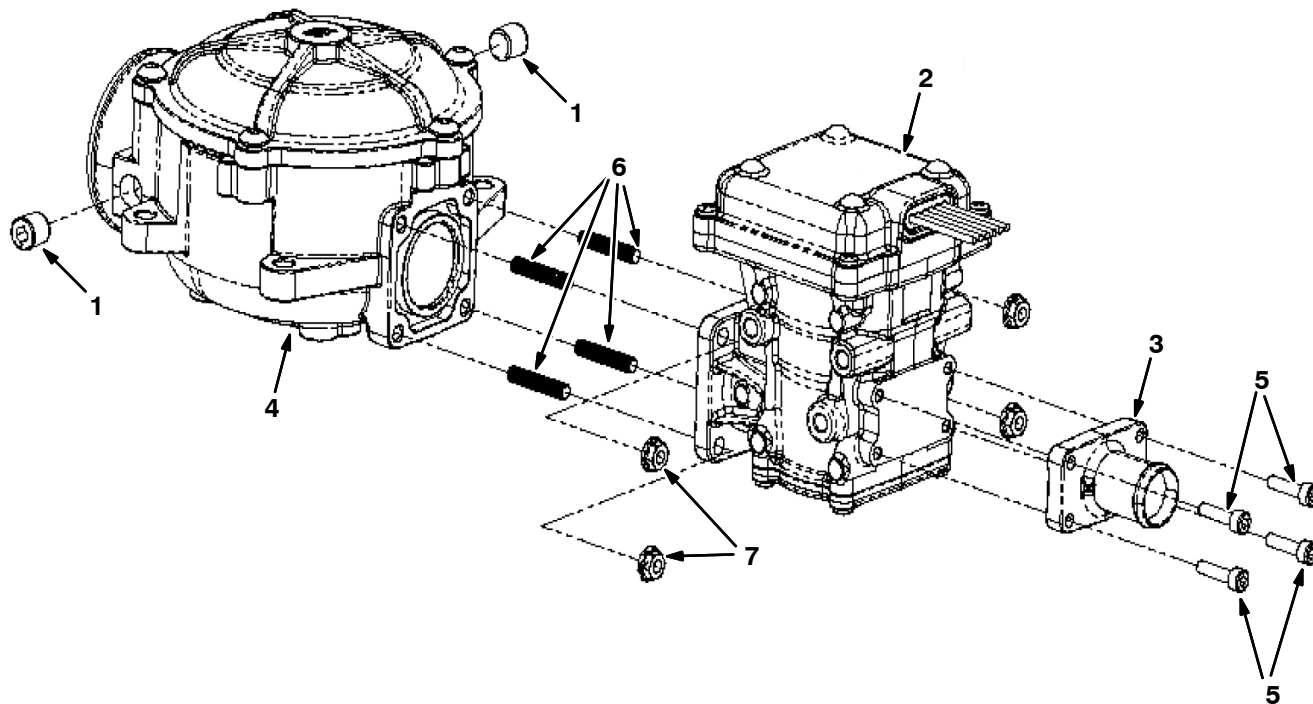
Ref.	Part No.	Description	Qty.
1	9010266	Throttle Body [Mit , Bosch]	1
2	1037311	Seal, Org, Lpg	1
3	9006619	Adapter	1
4	9010267	Spacer, Ring, Throttle [Mit 40mm]	1
5	9010268	Gasket, Throttle [Mit 40mm]	1
6	9010269	Bolt, M6-1.0 X 25 Soc Hd [Mit]	4
7	9010270	Washer, Lock, M6 [Mit]	4
8	9010271	Bolt, M6-1.0 X 85 Soc Hd [Mit]	4

Fig. 23 – Vaporizer Group, LPG Engine



Ref.	Part No.	Description	Qty.	
	1	9010272	Hose Assy, Upper, Tap [Mit]	1
	2	9008805	Isolator	3
	3	384979	Clamp, Hose, Spring, 0.62d	6
	4	9008804	Plate, Mtg [Epr]	1
	5	9010273	Fitting, 1/2 X 5/8 Hose, Plastic [Mit]	2
	6	9010274	Clamp, Tension [Mit #29]	2
▽	7	9008193	Regulator	1
▲		9010626	Repair Kit, Vaporizer	1
	8	9010275	Bracket, Vaporizer [Mit 20/24m Tilt]	1
	9	9010276	Hose, Fuel, Molded [Mit 20/24m]	1
	10	9010277	Hose, Coolant, Molded [Mit 20/24m]	1
	11	9010278	Hose, Coolant, Molded [Mit 20/24m]	1
	12	9010279	Hose, Coolant, Molded [Mit 20/24m]	1
	13	9010262	Bolt, M6-1.0 X 10 Fl Hd [Mit]	3
	14	9010280	Bolt, M8-1.25 X 16 Fl Hd [Mit]	2
	15	9010264	Nut, M6-1.0 Flange [Mit]	1
▽	16	9006620	Lock-Off, 12v, Lpg [Mit]	1
▲	17	9007380	Filter Kit, Fuelock, Lpg	1
	18	9010317	Fitting, 1/4mpt X 1/4mpt, 90deg [Mit]	1
	19	PSI#106817	Fitting, Hose, Plastic	1

Fig. 24 – Electronic Pressure Regulator (EPR) Group, LPG Engine



Ref.	Part No.	Description	Qty.
1	9010314	Plug, 1/8npt, Brs [Mit]	2
2	9008806	Regulator, Press, Electronic [Epr]	1
3	9008807	Fitting, Barb, 3/4" [Epr]	1
▽ 4	9006618	Mixer , Lpg	1
▲	9010634	Repair Kit, Mixer	1
5	9008808	Screw, Soc, M4 X 0.70 X 16	4
6	9007424	Stud, M05-0.8	4
7	9007423	Nut, Flng, M05-0.8	4

# SECTION 6

**CONTENTS**

**PAGE**

PART NUMBER TO PAGE NUMBER CROSS REFERENCE LIST ..... 6-2  
PART DESCRIPTION TO PAGE NUMBER CROSS REFERENCE LIST ..... 6-14

# CROSS REFERENCE

## PART NUMBER TO PAGE NUMBER CROSS REFERENCE LIST

Part Number	Page Number	Part Number	Page Number	Part Number	Page Number
PSI#106817	5-29	06972	2-23, 2-25, 2-69	09228	3-59, 3-61
00500-15	4-8, 4-9	06988	2-19	09244	3-51
00927	2-59, 2-61	07259	2-63, 2-67, 2-69, 2-79	09252	2-15, 2-57, 3-29, 3-51
00960	2-35	07299	2-23, 2-25	09738	3-11
00961	4-23	07449	2-79	09739	2-53, 2-95, 3-11, 3-21,
01316	3-3, 3-63, 3-65	07782	2-19		3-25, 3-35, 3-39, 3-43,
01493	2-9	07786	2-57, 2-69, 2-83, 2-87		3-44, 3-45, 3-46, 3-47,
01683	2-53, 2-57, 3-3, 3-17,	07788	2-83, 2-87, 2-103		3-67
	3-21, 3-25, 3-35, 3-39,	07790	2-35, 2-39, 3-51	09740	2-7, 2-9, 2-15, 2-21,
	3-51, 3-63, 3-65, 3-71	07797	2-123, 3-75		2-59, 2-61, 2-63, 2-65,
01684	2-65, 2-67, 2-69, 2-75,	08085	2-15		2-69, 2-75, 2-83, 2-87,
	2-77, 2-95, 2-97, 2-99,	08165	2-37		2-89, 2-93, 2-99,
	3-3, 3-17, 3-29, 3-59,	08166	2-37		2-101, 2-103, 2-123,
	3-61, 3-67	08170	2-53		3-3, 3-5, 3-17, 3-29,
01685	2-37, 2-65, 2-67, 2-71,	08171	2-51		3-43, 3-44, 3-45, 3-59,
	2-73, 2-75, 2-79, 2-83,	08175	2-59, 2-61, 2-69		3-63, 3-65, 3-73
	2-87, 2-93, 2-103, 3-3,	08178	2-71	09741	2-63, 2-69, 2-71, 2-75
	3-9	08179	2-53, 2-69, 2-71, 3-9	09744	3-29, 3-67
01686	2-7, 2-75, 2-77, 3-11,	08180	2-49	09767	2-71
	3-69, 3-79	08182	2-55, 2-83, 2-87	09832	2-39
01714	2-53, 2-55	08236	2-63	1002898	3-17
01760	2-15	08708	2-9, 2-15, 2-17, 2-19,	1002899	3-17
01762	2-59, 2-61, 3-7		2-31, 2-33, 2-35, 2-39,	1005219	3-31
02430	4-16		2-43, 2-53, 3-81	1005302	3-17, 3-31
02706	4-7	08709	2-7, 2-31, 2-33, 2-35,	1005435	3-17, 4-19
02850	2-15, 2-21		2-41, 2-43, 2-45, 2-47,	1005552	3-17, 3-31
02938	4-19		2-53, 2-57, 2-83, 2-87,	1006400	3-17
03192	3-49, 3-76		3-13	1006401	2-97
03495	2-73	08711	2-23, 2-25, 2-51	1006415	3-31
04375	2-35	08712	2-65, 2-67, 2-69, 2-71,	1006416	3-17
04403	2-4		2-75, 2-77, 2-95, 2-97,	1006808	2-13
04414	2-9, 2-23, 2-25, 2-73,		2-99, 2-101, 3-3, 3-59,	1007482	2-41
	3-81		3-61, 3-75	1008240	2-13
04706	2-17	08713	2-37, 2-63, 2-67, 2-71,	1008663	2-13
04733-10	2-71		2-73, 2-75, 2-77, 2-79,	1008916	2-19
04733-12	2-63, 2-69		2-81, 2-85, 2-89, 2-93,	1010614	3-35, 3-39
04846	2-17		2-101, 2-103, 3-13	1010668	3-17, 3-21, 3-25, 3-35,
06279	2-71	08714	2-7, 2-79		3-39, 3-61, 3-65
06548	2-53	08716	2-17, 2-37, 2-65, 2-69,	1011216	2-37
06549	2-15, 2-47, 3-29, 3-51,		2-75, 2-83, 2-87, 2-95,	1011403	3-17, 3-31
	3-59, 3-63, 3-73		2-97, 2-99, 3-3	1011412	3-19, 3-21, 3-23, 3-25,
06927	2-21	08875	2-89, 2-90		3-35, 3-37, 3-39
06928	2-7	09005	2-59, 2-61	1011837	3-31, 3-33, 3-59, 3-61,
06929	2-15	09007	2-75, 2-83, 2-87, 2-99		3-63, 3-65
06939	3-59, 3-63, 3-73	09010	2-59, 2-61, 2-69, 2-75,	1011885	3-5
06942	2-9, 2-19, 2-45, 2-53,		2-77, 2-89, 2-93, 2-97,	1011895	2-43
	3-81		2-101, 2-103, 3-9,	1012248	2-43
06943	2-13, 2-19, 2-37, 2-39,		3-13, 3-75	1013031	2-37
	3-81	09011	2-71, 2-75, 2-103	1013086	2-43
06944	2-15	09023	2-103	1013117	2-37
06949	2-43, 3-75	09028	2-63, 2-83, 2-87, 3-76	10137	1-1, 2-47
06955	2-53, 2-93, 2-101	09029	2-75	1014563	2-39, 3-49
06956	2-43	09081	2-81, 2-85	1014705	2-63
06962	2-39, 3-69, 3-76, 3-79	09198	2-4, 2-57	1014843	2-41
06965	2-17, 3-69, 3-79	09200	2-15, 2-21, 2-45, 2-95,	1014929	3-17
06968	3-82		3-17, 3-21, 3-25, 3-39,	1014971	4-19
06969	2-51, 2-63, 2-69		3-67	1014974	3-5, 3-35, 3-39, 4-19
06971	2-7	09206	3-29	1014986	3-17

# CROSS REFERENCE

Part Number	Page Number	Part Number	Page Number	Part Number	Page Number
1015026	3-21, 3-23, 3-35, 3-37	1021404	2-79	1023607	2-109
1015032	2-95, 2-97, 3-11, 3-19, 3-33	1021439	3-9	1023617	2-59
1015033	2-95, 3-5	1021473	3-9	1023685	2-75
1015044	3-3	1021497	2-79	1023754	2-103
1015048	3-5	1021564	3-9	1023769	2-111, 2-113
1015067	3-21, 3-25, 3-39	1021579	1-1, 2-121	1023879	3-49
1015205	2-39	1021617	3-9	1023917	2-75
1015486	3-19, 3-21, 3-33, 3-35, 3-59, 3-63	1021834	2-9	1024131	2-89
1015815	2-29	1021881	3-59, 3-63	1024141	2-143
1016314	2-35	1021920	2-99	1024217	2-89
1016354	4-19	1021991	2-123	1024237	3-17
1016837	3-3	1022003	2-65	1024249	2-49
1017022	3-17	1022007	1-1	1024251	2-117, 4-7
1017101	2-90	1022009	1-1	1024260	2-17, 4-15
1017141	2-146	1022031	2-53	1024274	2-47
1017218	2-9, 2-15, 2-19, 2-21, 2-35, 2-75, 2-77, 2-89, 2-93, 2-99, 2-101, 2-103, 2-123, 3-5, 3-17, 3-29, 3-43, 3-44, 3-45, 3-63, 3-65, 3-73	1022069	2-19	1024309	2-77
1017386	3-31	1022137	2-93, 2-101	1024425	2-15
1017413	3-31	1022176	2-89	1024450	2-77
1017415	3-31	1022182	2-90	1024464	2-15
1017868	1-1, 2-73	1022229	3-5	1024500	2-21
1017947	2-45	1022243	2-53	1024535	2-93, 2-101
1018098	3-17	1022276	3-49	1024576	2-83, 2-87
1018155	4-19	1022318	3-11	1024586	1-1
1018208	2-7	1022345	2-55	1024599	2-93, 2-101
1018289	2-121	1022363	2-65	1024648	2-71
1018499	3-59, 3-63	1022370	2-101	1024658	2-75
1018776	2-15	1022472	2-13	1024764	2-111
1019031	2-83	1022668	2-75	1024934	2-45
1019146	2-63	1022683	2-75	1024977	3-69, 3-79
1019228	2-15	1022699	2-9	1025041	2-69
1019250	3-63, 3-65	1022736	2-53	1025092	2-93
1019295	1-1	1022779	2-57	1025100	2-63, 2-69
1019424	2-93, 2-101	1022787	2-57	1025101	2-146
1019445	3-43, 3-44, 3-45	1022825	2-83, 2-87	1025132	2-121
1019526	2-77	1022831	2-73	1025140	2-55
1019636	3-5	1022846	2-81, 2-85	1025151	2-81, 2-85
1019647	3-46, 3-47	1022903	2-71	1025159	3-5
1019968	2-39	1022905	2-13	1025196	2-21
1019971	3-43, 3-44, 3-45	1022978	2-87	1025198	2-69
1020003	2-63	1023063	2-77	1025229	2-43
1020166	1-1, 2-65	1023239	2-73	1025254	2-7
1020168	2-9, 3-29	1023306	2-83	1025320	2-69
1020186	2-21	1023307	2-87	1025449	2-93, 2-101
1020434	2-146	1023314	2-87	1025452	2-93, 2-101
1020487	2-15	1023334	2-75	1025460	2-79
1020526	3-67	1023464	2-11	1025480	2-93, 2-101
1020548	2-83	1023476	2-79	1025487	2-53
1020744	2-93, 2-101	1023482	2-43	1025495	2-53
1020949	2-31, 2-33	1023485	3-15	1025544	2-111
1021019	2-59, 2-61	1023488	2-107	1025547	2-109
1021210	3-5, 4-3	1023493	2-89	1025562	2-99
1021290	2-47	1023497	2-89	1025601	2-79
1021325	3-3	1023499	2-15	1025619	2-99
		1023502	2-93, 2-101	1025620	2-99
		1023508	2-89	1025736	2-15
		1023510	2-89	1025806	2-21
		1023545	2-121	1025916	2-15
		1023569	2-11	1025968	2-67
		1023585	3-59, 3-63, 3-73	1025990	3-15
		1023606	2-109	1025991	3-15

# CROSS REFERENCE

Part Number	Page Number	Part Number	Page Number	Part Number	Page Number
1025992	3-15	1028522	2-101	1031331	1-1, 2-73
1026007	2-71	1028558	2-37, 5-25	1031351	2-75
1026051	2-93, 2-101	1028635	2-83, 2-87	1031566	2-35
1026080	2-59, 2-61	1028690	2-93, 2-101	1031572	3-5
1026101	2-67	1028691	2-93, 2-101	1031610	2-99
1026119	3-13	1028697	3-5	1031617	2-103
1026130	2-69	1028701	2-93, 2-101	1031665	2-9, 2-13, 2-17
1026142	2-101	1028753	2-37	1031699	2-99, 4-3
1026195	2-77	1028769	2-13	1031796	4-17
1026223	2-4	1028772	2-13	1031797	4-17
1026316	2-99	1028821	2-119	1031798	4-17
1026352	2-59, 2-61	1028822	2-119	1031799	4-17
1026417	2-77	1028924	2-43	1031800	4-17
1026550	2-43	1028929	2-37	1031801	4-17
1026576	2-47	1028972	2-85	1031802	4-17
1026628	2-21	1028979	2-85	1031803	4-17
1026645	2-109	1028994	2-37	1031823	1-1, 2-81, 2-85
1026726	2-21	1029055	3-63, 3-65	1031945	1-1, 2-73
1026743	3-59, 3-63, 3-73, 4-17	1029057	3-29, 3-63, 3-65	1032399	2-57
1026759	2-43	1029128	2-81	1032450	2-146
1026804	2-71	1029132	2-81	1032546	2-75
1026806	2-71	1029153	3-63, 3-65	1032701	2-97
1026825	2-15	1029155	3-63, 3-65	1032812	2-43
1026831	2-77	1029156	3-63, 3-65	1033644	1-1
1026900	2-77	1029293	2-43	1033746	2-43
1027108	2-75	1029295	2-43	1033897	2-43
1027143	2-75	1029362	2-13	1033901	2-43
1027147	2-75	1029379	4-9	1033975	2-9
1027218	2-9	1029396	3-53, 3-55	1034270	2-49
1027233	2-57	1029399	3-63, 3-65	1034282	2-79
1027237	3-63, 3-65	1029790	3-63, 3-65	1034676	2-43
1027267	2-9	1029951	2-13	1034764	2-11
1027269	2-7	1029964	2-59, 2-61	1034765	2-11
1027290	1-1, 2-89, 3-73	1030017	2-9	1034766	2-11
1027313	2-57	1030280	2-99	1034767	2-15
1027426	2-89	1030404	2-107	1034768	2-11
1027588	3-76	1030407	3-59, 3-61	1034769	2-11
1027697	2-4	1030441	4-24	1034770	2-11
1027719	1-1, 2-73	1030444	4-24	1034878	2-121
1027810	2-63	1030503	3-69, 3-79	1034915	2-65
1027850	3-76	1030511	3-21, 3-25, 3-35, 3-39	1035044	2-101
1027916	2-7	1030515	3-69, 3-79	1035068	2-19
1027926	3-9	1030522	3-69, 3-79	1035727	2-79
1027976	3-63, 3-65	1030557	3-69, 3-79	1035794	3-17
1027978	3-63, 3-65	1030558	2-69	1035832	2-9
1028049	2-71	1030588	2-15, 2-21	1035997	2-9
1028145	2-109	1030593	2-9	1036240	2-7
1028173	2-101	1030709	2-115	1036801	3-17
1028211	2-101	1030910	2-63	1036892	2-17, 2-31, 2-33, 2-39
1028236	2-73	1030911	2-63	1036899	2-115
1028249	2-75	1030969	2-4	1036906	3-15
1028270	3-15	1031011	1-1, 2-81, 2-85	1036939	2-111, 2-113
1028328	2-101	1031017	2-146	1036965	3-15, 3-75
1028334	2-75	1031152	2-75	1036997	2-95
1028374	2-73	1031206	2-15	1037011	3-13
1028412	2-21	1031217	2-67	1037032	4-19
1028433	2-69	1031233	2-89	1037072	3-75
1028440	2-69	1031235	2-90	1037311	5-28
1028446	2-69	1031286	2-67	1037343	2-77
1028495	2-67	1031305	2-75	1037346	2-19, 2-39, 2-47



## CROSS REFERENCE

Part Number	Page Number	Part Number	Page Number	Part Number	Page Number
1037354	2-121	1045272	3-13	1059234	4-24
1037355	2-39	1045444	3-69, 3-79	1059343	2-49
1037749	3-83	1045759	2-115	1059372	3-31
1037825	3-21, 3-25, 3-35, 3-39	1045764	2-39	1059391	3-31
1037970	2-19	1046798	2-99	1059640	2-4
1037971	2-19	1046962	2-39	1059677	3-29
1038115	3-9	1046976	3-7	1059878	4-24
1038137	2-63, 2-69, 2-71, 2-83, 2-87, 3-9	1046980	1-1, 3-7	1060130	2-7, 3-11
1038159	4-19	1046995	3-7	1060185	3-29
1038498	2-7	1047002	3-7	1060273	3-29
1038569	2-107	1047060	3-7	1060291	3-29
1038571	3-75	1047098	2-89, 2-90	1060292	3-29
1038805	2-89, 2-90	1047169	2-9	1060517	4-19
1039019	3-5	1047238	1-1, 3-7	1060521	2-49
1039037	3-73	1047295	2-9	1060596	3-31
1039042	3-71	1048166	2-39	1060624	3-29
1039044	3-71	1048474	2-89, 2-90	1060693	3-31
1039046	3-73	1048512	2-89, 2-90	1060695	4-19
1039049	2-99	1049254	3-17, 3-31	1060719	3-29
1039056	3-71	1049259	3-17	1060871	3-42
1039064	2-95	1049919	2-19	1060880	3-42
1039072	2-99	1050003	2-146	1060881	3-42
1039091	2-7	1050295	3-49	1061045	3-35, 3-39
1039348	2-75, 2-83, 2-87	1050436	2-109	1061973	2-49
1039357	3-17	1051026	2-4	1062033	2-103
1039396	2-65	1052017	3-31	1062116	3-11
1039468	2-69	1052124	2-63	1062403	3-31
1039469	2-69	1052336	3-31, 4-19	1062566	2-7
1039652	2-101	1052342	2-63	1062804	3-29
1039697	2-99	1052521	2-49	1062813	2-146
1039757	2-89, 2-90	1052726	3-29	10632-12	3-51
1040018	2-65	1053464	4-19	10632-13	2-17
1040098	2-77	1053838	2-7, 3-11	10632-14	3-75
1040318	2-121	1054338	3-69, 3-79	10632-17	3-46, 3-47
1040467	2-39, 3-29, 3-51	1054382	2-41	10632-19	3-17, 3-31, 3-73
1040524	2-4	1054428	2-39	10632-2	3-5
1040633	3-67	1054575	2-59, 2-61	10632-4	3-29
1040800	3-67	1054610	2-61	1064183	3-29
1040841	2-11	1054682	2-59	1064191	3-29
1040899	3-71	1054776	4-19	1064440	2-146
1041351	3-73	1054857	2-59, 2-61	1064661	2-146
1041935	3-71	1055139	2-61	1065134	2-59, 2-61
1042003	2-93	1055377	2-35	1065342	2-146
1042010	2-101	1055552	2-27	1065343	2-146
1042046	2-97	1055588	2-115	1068277	2-89, 2-90
1042051	3-71	1055590	2-115	1068611	2-103
1042191	3-71, 3-73	1055605	2-7	1068644	2-103
1042579	3-73	1056412	2-17	1068811	2-59, 2-61
1042686	2-63	1057637	4-19	1068812	3-7
1042710	4-24	1057643	2-59, 2-61	1068924	2-67
1042772	3-71	1057707	1-1	1069019	1-1
1042859	3-73	1057708	1-1	1069020	1-1
1042963	2-67	1057710	1-1	1069241	3-49
1042968	3-7	1057711	1-1	1069253	3-49
1044342	3-17	1057785	4-23	1069562	2-63
1044343	3-17	1058935	3-31	1069580	3-51
1044393	3-29	1059073	2-17	1070402	3-51
1044428	3-71, 3-73	1059091	1-1, 3-7	1070426	2-35
1045034	3-73	1059092	1-1, 3-7	1070431	2-35
		1059100	2-103	1070434	2-39

# CROSS REFERENCE

Part Number	Page Number	Part Number	Page Number	Part Number	Page Number
1070619	2-35	1075138	3-27	1224331	3-73
1070659	3-51	1075140	3-42	1224979	2-99
1070732	2-41	1075143	3-51	1225144	3-75
1070751	2-23, 2-25	1075241	3-11	1225146	3-73
1070756	2-23, 2-25	1075283	3-44, 3-45, 3-46, 3-47	1225174	3-73
1070764	2-35	1075367	2-7	1225768	2-13
1070787	2-33	1075394	2-95, 2-97	1225829	3-73, 4-25
1070788	2-31, 2-33	1076027	2-103	1225921	2-99
1070798	2-57	1076240	2-51	1226044	3-75
1070819	2-57	1076351	2-144	1226062	2-107
1070822	2-31, 2-33	1076680	2-51	1226063	2-107
1070833	2-31, 2-33	1076692	2-95, 2-97	1226700	2-73
1070860	2-39	1076696	3-82	1227137	3-73, 4-25
1070890	2-35	1076698	3-82	1228195	2-53
1070955	2-39	1076699	3-82	12295	2-59, 2-61
1071061	2-49	1076703	3-81	1229745	2-107
1071062	3-51	1076704	3-81	1230341	2-17
1071085	2-99	1076740	3-82	12309	2-7, 2-75
1071099	2-41	1076741	3-82	1231375	3-73
1071107	2-35	10831	2-35	12317	2-7, 2-89, 3-11, 3-69, 3-79
1071108	2-35	10917	4-17	1232054	2-17
1071110	2-35	11399	2-7, 2-77	12323	3-29
1071113	2-37	11442-23	2-45	1233968	2-73
1071144	2-35	11842	2-57	1247720	3-29
1071145	2-35	1208906	2-73	1248350	3-51
1071173	2-119	1210624	4-23	1249770	2-39
1071280	3-31	1214251	2-19	1252156	2-4
1071376	2-37	1218322	2-73	13248	2-17
1071388	2-43	1218851	2-99	13534	2-59, 2-61
1071397	5-25	1220185	2-5	13840	3-53
1071398	5-25	1220198	2-4	13904	4-11, 4-13
1071404	2-31	1220221	2-4	13907	4-7, 4-13
1071418	2-37	1220235	2-5	140916	3-51
1071439	2-21	1220236	2-5	14432	2-31, 2-33
1071440	2-27, 2-29	1220237	2-4	14595-1	2-53
1071481	2-47	1220238	2-4	14605	2-53
1071482	2-47	1220239	2-4	14877	3-3, 3-5
1071502	2-27	1221543	2-5	150208	3-57
1071616	2-9	1222018	2-21, 2-81, 2-85	150538	3-17
1071653	2-144, 5-25	1222019	3-67	150540	3-17, 4-19
1071654	2-144, 5-25	1222020	2-73, 3-7	150709	2-45, 3-17
1071727	2-35	1222035	2-99	150713	3-17
1071785	2-39	1222036	2-83	15331	2-19
1072408	2-27, 2-29	1222038	2-87	15648	2-93, 2-101
1072421	2-35	1222043	2-79	15675	2-59, 2-61, 2-93, 2-101, 3-73
1072559	2-27, 2-29	1222953	4-23	15678	3-17
1072669	2-23, 2-25	1223504	2-17	16213	2-57
1072877	3-5	1223511	2-17	16391	3-73
1072885	2-101	1223514	2-17	16411	1-1
1072996	2-123, 4-13	1223896	2-13	16412	1-1
1072997	3-13, 4-11	1223897	2-13	16462	2-113
1073487	2-49	1223903	2-13	16695	4-8, 4-9
1073529	2-35	1224091	4-23	16735	2-19, 2-35, 2-99, 3-9
1074414	2-103	1224092	4-23	16931	2-9, 2-15, 2-17, 2-19, 2-21, 2-35, 2-39, 2-41, 2-43, 2-45, 2-49, 2-53, 3-73
1074577	2-103	1224093	4-23	16968	2-13
1074807	2-59, 2-61	1224094	4-23		
1074849	2-35	1224326	3-75		
1074983	3-71	1224327	3-75		
1075003	2-13	1224328	3-73		
1075120	2-142	1224329	3-73		

# CROSS REFERENCE

Part Number	Page Number	Part Number	Page Number	Part Number	Page Number
17414	2-45	223198	2-63, 3-29, 3-69, 3-79	32491	2-7, 2-9, 2-15, 2-17, 2-31, 2-33, 2-35, 2-39, 2-41, 2-43, 2-45, 2-49, 2-53, 2-59, 2-61, 2-63, 2-69, 2-71, 2-89, 2-93, 2-97, 2-99, 2-101, 2-119, 3-9, 3-13, 3-49, 3-59, 3-63, 3-67, 3-73, 3-75
17461	2-63, 2-69, 2-83, 2-87, 3-9	223470	2-63	32492	2-7, 2-15, 2-23, 2-25, 2-37, 2-39, 2-45, 2-57, 2-67, 2-79, 2-89, 3-7, 3-49, 3-59, 3-61, 3-69, 3-76, 3-79, 3-82
17980	2-119	223599	2-13	32493	2-7, 2-23, 2-25, 2-75
19064	3-53, 3-59, 3-61	22615	3-7	32509	4-19
19065	2-13, 2-15, 2-57, 3-29	22790	4-3	32523	3-81
19066	2-15, 2-21, 2-35, 2-47, 3-29, 3-43, 3-44, 3-45, 3-46, 3-47, 3-51, 3-59, 3-63, 3-73	23146	2-7, 3-11	32716	2-45
190722	3-53	23156	2-45	32895	3-81
19191	2-67, 3-7	23285	4-3	32981	2-43
19312	2-27, 2-29	23498	2-93, 2-101	32982	2-35, 3-29
19313	3-49	23788	2-53	32983	2-15
19315	2-27, 2-29	24047	2-45	33295	3-3
19583	2-49	24105	3-3	33373	2-79
19760	2-45	24196	3-35, 3-43, 3-44, 3-45, 3-46, 3-47	33580	4-5
20170	2-53	24199	2-53	33671	2-47
20394	3-63, 3-65, 3-71	24265	2-21, 3-3	33932	2-21, 2-57, 2-81, 2-85, 3-3, 3-29
20778	2-47	24339	2-49	34178	4-5
20807	2-97	24358	2-99, 4-3	34351	2-109
20833	1-1	24543	3-5	34359	3-13
20944	3-5	24544	3-3, 3-17, 3-31	34379	3-75
20951	3-5, 4-19	24555	2-73, 2-79, 3-7	34390	2-67
20952	3-5	24584	3-73	34411	2-7, 3-11
21168	2-65, 2-75, 2-81, 2-85	24698	3-31	35707	2-45
21196	3-69, 3-79	24928-1	2-45	35710	2-45
21197	2-67	25014	2-37	360023	2-51
21198	3-59, 3-61	25046	2-67, 3-7, 3-81	360074	2-51
21603	2-73, 3-7	25122	1-1	360270	2-51
21606	2-73	25312	3-77	360271	2-51
21623	2-75	25611	2-67	360272	2-51
21657	4-16	25686	2-59, 2-61	360273	2-51
21659	4-16	25735	2-79, 2-81, 2-85	360274	2-51
21851	2-15	26496	2-45	360275	2-51
21933	4-15	27048	2-45	360276	2-51
21934	4-15	27991	2-57	360801	2-83, 2-87, 2-101
21935	4-15	28854	4-9	360802	2-51
21955	4-9	29557	3-9	360973	2-90
21956	4-9	29558	3-9	361037	3-75
21958	4-9	29584	2-71	361047	3-15
222027	2-69	30407	2-39	361339	2-55, 2-65, 2-69
222190	3-81	31354	4-8, 4-9	36159	2-27, 2-29
222210	2-69	31375	4-8	363162	2-73
222267	2-21, 2-89, 2-90	31379	4-8	36328	2-75, 2-83, 2-87, 2-103
222268	2-77	31383	4-8	363301	2-73
222290	2-47	31543	3-21, 3-35, 3-39	363458	2-7
222324	2-4	31613	1-1, 2-121	363543	2-95
222325	2-4	32126	2-49	363976	2-9
222326	2-4	32183	3-5	364347	2-53
222327	2-4	32483	2-15, 2-17, 2-37, 2-39, 2-43, 2-45, 3-29		
222375	3-35, 3-39	32485	2-57, 2-63, 2-79, 2-117		
222496	2-37, 2-67	32486	2-17, 2-23, 2-25, 2-51, 3-9, 3-82		
222505	2-37, 2-75, 2-79	32490	2-9, 2-13, 2-17, 2-19, 2-27, 2-29, 2-37, 2-39, 2-53, 2-55, 2-57, 3-75, 3-81		
222516	2-93, 2-101				
22290	2-17				
22297	2-41				
223054	2-71				
22308-6	2-45				
223080	2-15				

# CROSS REFERENCE

Part Number	Page Number	Part Number	Page Number	Part Number	Page Number
364441	2-73, 3-13	373640	4-11, 4-13	386652	3-5
364749	2-15	373642	4-11, 4-13	387281	2-111
364864	2-53	373646	4-11, 4-13	387433	2-73
364948	2-53	373647	4-11, 4-13	387500	2-73
365009	2-113	373648	4-11, 4-13	38968	4-5
365095	2-95, 2-97	373656	4-11	39005	2-71
365164	2-95	373657	4-11, 4-13	390994	2-89
36643	2-45, 2-57	373658	4-11, 4-13	391368	2-19
36644	2-63	373661	4-11	391804	2-75
367770	2-71, 3-59, 3-61	373662	4-11	39210	2-61
367771	2-75	373663	4-11, 4-13	392171	2-13
367949	2-89, 2-90	373665	4-13	39277	2-7, 2-9, 2-31, 2-33, 2-39, 2-41, 2-43, 2-45, 2-57, 2-93, 2-101, 2-103, 2-119
368391	2-15	373666	4-13	39278	2-57
36845	3-9	373667	4-13	39279	2-53
369359	3-7, 3-69, 3-79	373668	4-13	39281	2-35, 2-79
369704	2-47	373669	4-13	39283	2-9, 2-117
369745	2-31, 2-33	373670	4-11, 4-13	39284	2-37
369746	2-31, 2-33	373671	4-13	39308	2-83, 2-87
369747	2-31, 2-33	373678	4-7	39311	2-9
370091	2-4	373679	4-7	393129	2-77
370095	2-4	373680	4-7	393135	2-81, 2-85, 3-67
371503	5-21	373681	4-7	393215	2-49
371509	5-17	373683	4-11	39349	2-9, 2-35, 2-37, 2-57, 2-77, 2-83, 2-87, 2-93, 2-101, 4-23
371562	5-17	374560	2-49	393982	1-1, 2-23, 2-25, 5-21
372020	5-16	374563	2-49	394916	2-144
372235	2-144	375321	3-63, 3-65	39527	2-59, 2-61, 4-8
372237	2-144	375322	3-3	395973	2-123, 3-13
372440	1-1, 2-43	37555	4-8, 4-9	395974	2-123, 3-13
372470	2-27, 2-29	37616	4-5	396255	2-109
372492	5-25	377334	3-73	396273	2-109
372493	5-25	377349	2-89, 3-3, 3-73	396278	2-113
372891	5-25	377537	1-1	397648	3-59, 3-61
373217	4-5	377538	1-1	397826	2-77
373226	4-5	377540	1-1	397974	2-4
373236	4-5	37756	4-5	39811	2-63
373260	4-5	379609	2-49, 4-5	398279	2-31, 2-33
373291	4-5	379870	2-75, 2-83, 2-87	398500	3-59, 3-63
373297	4-5	381391	2-31, 2-33	398501	2-13
373298	4-5	381502	2-53, 2-71	40362	2-121
373299	4-5	381854	2-113	40625	2-119
373317	4-7	381857	2-111	40678	2-119
373327	4-7	381866	2-113	40755	3-75
373346	4-7	382099	2-63	41139	2-21
373347	4-7	382224	2-53, 2-71	41141	2-7, 2-75
373348	4-7	382320	2-89, 2-90, 2-99, 3-77	41169	2-55
373389	4-7	382516	2-13	41178	2-15, 2-39
373391	4-7	38255	4-5	41185	2-75, 2-83, 2-87
373393	4-7	383165	2-13	41186	2-35, 2-57, 2-93, 2-101, 3-9
373394	4-7	383820	3-44, 3-45, 3-46, 3-47	41187	2-83, 2-87
373395	4-7	384419	2-21	41295	3-3, 3-5
373398	4-7	384979	5-22, 5-29	41342	4-23
373402	4-7	384999	2-144	41346	2-23, 2-25, 3-9
373413	4-7	385001	5-15	41359	3-29
373427	4-7	385009	2-43	41399	2-55
373429	4-7	385011	5-22		
373434	4-7	385015	5-15, 5-19, 5-21, 5-22		
373493	4-7	385685	2-90, 2-99, 3-5, 3-73		
373494	4-7	386088	2-57, 2-83, 2-87		
373631	4-13	386264	2-73		
373633	4-11	386298	2-73, 3-7		

# CROSS REFERENCE

Part Number	Page Number	Part Number	Page Number	Part Number	Page Number
41430	2-39, 2-45, 2-119, 3-49, 3-69, 3-79	51824	2-63	578091000	3-57
41445	2-83, 2-87	52405	4-5	578094000	3-57
41579	2-4, 4-19	53076	2-117	578123000	3-57
41619	2-63, 2-69, 2-71, 2-83, 2-87	53400-1	2-45	578124000	3-57
42120	2-63, 2-69	53400-4	2-45	578125000	3-57
42133A	3-3, 3-17, 3-31	53466	2-7, 2-9, 2-41, 2-47, 2-119	578126000	3-57
42180	2-55	53782	2-75	578143000	3-57
42223	2-49	53947	2-57	578154000	3-57
42226	2-123, 3-13	53953	2-57	578155000	3-57
42227	3-75	54017	2-117	578160000	3-55
43555	2-93, 2-101	54051	2-49	578161000	3-57
43844	2-41, 2-97, 3-3, 3-5, 3-17, 3-31	54052	2-49	578164000	3-57
44868	2-59, 2-61, 2-67, 2-117, 2-123, 3-13	54052	2-49	578214000	3-57
44869	2-67, 2-117, 2-121, 3-13	54087	2-49	578228000	3-57
44961	4-19	54205	2-57	578276000	3-55
45261	2-75	54274	2-39, 2-103	578318000	3-55
45622	4-5	54333	2-31, 2-33, 2-43, 2-47, 2-97, 3-11, 3-17, 3-19, 3-21, 3-23, 3-25, 3-31, 3-33, 3-35, 3-37, 3-39, 3-59, 3-61, 3-63	578439	3-57
45623	4-5	54390	2-51	578820000	3-55
45628	4-8, 4-9	54607	2-53	578821000	3-57
46236	3-44, 3-45	54615	2-99	579112	3-57
46480	2-123	54620	2-67	57946	2-111
46481	2-119	54655	2-57	57988	3-75
46482	2-121, 2-123	55248	3-51	58311	2-53
46559	2-57	55455	2-121	58494	2-15
46563	2-53	55586	2-59, 2-61	58589	2-45
47512	2-117	55685	2-121, 3-13, 3-75	58590	2-45
47513	2-103, 2-117	55845	3-53	58592	2-121
47522	2-17, 2-49	55926	4-7	58819	2-7, 2-9, 2-55
47585	2-17	56078	2-59, 2-61	58979	2-67, 2-101
47638	3-75	56186	3-17, 3-29, 3-59, 3-63, 3-71	59009	2-53
47719	3-11	56690	2-17, 2-121, 3-13, 3-15	59156	2-45, 3-9
47801	2-49	56692	2-103	59633	3-9
48079	2-57	56820	2-123	59661	3-81
48126	2-43	56821	3-7	59668	2-55
48610	3-59, 3-61	56835	2-17	59861	4-23
48790	3-31	56992	2-13	59962	2-53
48985	2-63, 3-9	57223	2-115	60090	3-13
49145	2-51	57248	3-17	602036000	3-57
49266	2-13, 2-49, 2-61, 2-115, 3-31, 3-46, 3-47, 3-71	57297	2-45	607775	4-19
49694	2-67	57315	2-49	61212	3-59, 3-61
49697	2-81, 2-85	57569	2-39	61490	4-8, 4-9
49800	2-15	57702	3-69, 3-79	62471	2-119
49883	2-35	57769	3-59, 3-61	62595-15	2-43
49933	2-123	57804	2-47, 2-144	630164	3-31
50178	3-11	578060000	3-57	63175-1	3-9
50335	2-57	578061000	3-57	63233	3-9
50544	2-95	578063000	3-57	63234	2-57
50901	3-31	578064000	3-57	63244-2	3-3
51109	2-53	578066000	3-57	63245-1	3-25, 3-39
51176	2-23, 2-25	578071000	3-55	63378	2-45
51305	2-41	578072000	3-55	63468	2-79
51338	2-49	578074000	3-57	63810	2-95, 2-97, 3-3, 3-5, 3-11, 3-19, 3-21, 3-23, 3-33, 3-35, 3-37, 3-59, 3-63, 3-65, 3-73
51339	2-49	578077000	3-57	63923	4-16
		578078000	3-57	63987-1	2-97, 3-31
				64425	2-79, 2-81, 2-83, 2-85, 2-87
				64778	3-31, 3-63, 3-65

# CROSS REFERENCE

Part Number	Page Number	Part Number	Page Number	Part Number	Page Number
65145-1	2-117	74098	4-8, 4-13	78842	4-3
65180	2-79	74099	4-8	78843	4-3
65197	2-109	74100	4-8, 4-9	78875	4-16
65215	2-121	74122	4-5	78950	4-17
65230	4-9	74123	4-5	78951	4-17
65241	4-8	74125	4-5	78952	4-17
65340	3-57	74165	4-5	79273-2	2-95
65341	3-55	74166	4-5	79381	2-41, 3-53
65342	3-59, 3-61	74167	4-5	79484	3-3
65441	2-55	74168	4-5	79497	3-3
65580	3-53, 3-59, 3-61, 3-71	74180	4-7	79506	2-93, 2-101
65581	3-31	74183	4-15	79729	4-5
65582	3-57	74185	4-15	79828	4-5
65610	3-57	74193	4-15	80288	2-9
67004	3-53, 3-59, 3-61, 3-71	74196	4-15	80395	2-73, 2-93, 2-101
67555	2-63	74222	4-15	80409	2-79
67767	2-45, 2-55, 2-99	74225	4-7	80491	3-81
67811	2-117	74226	4-7	80950	2-79
68275	2-15	74232	4-15	81582	2-77
68866	2-55	74237	4-7	81784	2-83, 2-87
69173	2-67, 2-123	74243	4-15	82727	2-9
69234	2-33	74244	4-15	82832	2-49
69582	2-53	74245	4-15	82839	3-11
69785	2-89	74250	4-8, 4-9	83043	4-23
70096	4-7	74440	2-57	83874	1-1, 2-73
70100	4-7	74455	2-119	83879	2-57
70157	2-103	75934	2-57	84170	2-57
70624	2-67	760740	2-75	86508	3-3
70709	2-17	76099	3-21, 3-25, 3-35, 3-39	86636	2-99
70717	2-17	762514	2-47	86659	2-51
71100	2-71	763024	4-23	86751	2-53
71101	2-71	763090	2-63	86767	3-53
71367	2-53	763114	2-99, 3-51	86866	2-63, 2-69, 2-71
71369	2-63	763115	3-46, 3-47	87536	2-13
71579	2-7, 2-75	763116	3-21, 3-35	87738	2-41
71607	2-83, 2-87	76315	2-103	87816	2-83, 2-87
71726	2-121	76426	2-99	87866	1-1, 2-13
71727	2-123, 3-13	76570	2-35, 2-93, 2-101	9000355	2-43
71729	4-8	76888	2-15	9001314	3-49
71735	2-109	769785	3-63, 3-65	9001316	3-77
71741	2-109	77003	4-13	9001321	3-43
71868	3-9	77005	4-11, 4-13	9001327	3-44
71869	3-9	77006	4-13	9001331	3-45
71874	3-9	77097	2-67, 2-71, 2-83, 2-87, 2-123, 3-9	9001717	3-47
71941	2-19	77098	2-63, 2-69, 2-103, 3-9	9001718	3-46
72926	2-49	77221	2-146	9002398	2-121
72968	3-31, 3-53, 3-59, 3-61, 3-71	77345	2-49	9002401	2-7
73260	3-3, 4-16	77347	2-7, 3-82	9002555	1-1
73281	2-49	77488	2-71	9002670	2-89
73342	4-3	78122	2-45, 3-59, 3-61	9002708	4-3
73411	2-57	78398	3-3, 4-3	9002709	4-3
73433	3-3	78829	4-3	9003009	4-24
73468	3-3, 3-17, 3-31	78830	4-3	9003055	2-77
73471	2-41	78833	4-3	9003057	2-81, 2-85
73736	2-13	78836	4-3	9003058	2-75
74027	2-77	78838	4-3	9003059	2-75
74090	2-93, 2-101	78839	4-3	9003060	2-71
74094	4-8, 4-9	78840	4-3	9003061	2-67
74095	4-8	78841	4-3	9003068	2-90
				9003069	2-89

## CROSS REFERENCE

Part Number	Page Number	Part Number	Page Number	Part Number	Page Number
9003070	2-90	9010230	5-17	9010291	5-22
9003071	2-89	9010231	5-17	9010294	5-22
9003072	2-99	9010232	5-18	9010295	5-22
9003134	3-53	9010233	5-18	9010296	5-16
9003135	3-69	9010234	5-18	9010297	5-16
9003139	3-63	9010235	5-18	9010298	5-16
9003142	3-76	9010236	5-18	9010302	5-16
9003143	3-67	9010237	5-18	9010303	5-16
9003247	2-67	9010238	5-18	9010305	5-23
9003249	2-67	9010239	5-18	9010306	5-23
9003282	3-65	9010240	5-18, 5-19	9010307	5-23
9003313	2-101	9010241	5-18	9010308	5-23
9003610	2-43	9010242	5-18	9010309	5-23
9003793	2-93	9010243	5-19	9010310	5-23
9003794	2-101	9010244	5-19	9010311	5-7
9004272	4-25	9010245	5-20	9010312	5-7
9004288	4-25	9010246	5-20	9010313	5-7
9004289	4-25	9010247	5-25	9010314	5-30
9004290	4-25	9010248	5-25	9010317	5-29
9004291	4-25	9010249	5-25	9010327	5-26
9004292	4-25	9010250	5-9	9010330	5-27
9004493	2-73	9010251	5-9	9010331	5-27
9005165	2-89, 2-90	9010252	5-9	9010359	5-18
9006257	3-83	9010253	5-9, 5-21	9010360	5-18
9006592	2-43	9010254	5-9	9010366	5-25
9006618	5-30	9010255	5-25	9010367	5-25
9006619	5-28	9010256	5-25	9010371	5-21
9006620	5-29	9010257	5-25	9010372	5-21
9007131	3-43	9010258	5-25	9010373	5-21
9007142	2-117	9010259	5-12	9010374	5-21
9007380	1-1, 5-29	9010260	5-25	9010376	5-21
9007381	1-1	9010261	5-25	9010377	5-21
9007423	5-30	9010262	5-16, 5-25, 5-29	9010380	5-21
9007424	5-30	9010263	5-25	9010382	5-15
9007882	3-29, 4-19	9010264	5-25, 5-29	9010383	5-15
9007883	4-19	9010266	5-27, 5-28	9010384	5-15
9008193	5-29	9010267	5-28	9010419	5-3
9008757	4-24	9010268	5-27, 5-28	9010420	5-3
9008804	5-29	9010269	5-28	9010421	5-3
9008805	5-25, 5-29	9010270	5-28	9010422	5-3
9008806	5-30	9010271	5-28	9010423	5-3
9008807	5-30	9010272	5-29	9010424	5-3
9008808	5-30	9010273	5-29	9010425	5-3
9008848	4-24	9010274	5-29	9010426	5-3, 5-12
9008868	3-17, 4-24	9010275	5-29	9010427	5-3
9010085	3-51	9010276	5-29	9010428	5-3
9010086	3-51	9010277	5-29	9010429	5-3
9010096	2-39	9010278	5-29	9010430	5-3
9010097	2-39	9010279	5-29	9010431	5-3, 5-5
9010215	5-22	9010280	5-29	9010432	5-3
9010217	5-20	9010281	5-15	9010433	5-3
9010219	5-20	9010282	5-15	9010434	5-3
9010222	5-17	9010283	5-15	9010435	5-3
9010223	5-17	9010284	5-15	9010436	5-3
9010224	5-17	9010285	5-15	9010437	5-3
9010225	5-17	9010286	5-15	9010438	5-3
9010226	5-17	9010287	5-15	9010439	5-3
9010227	5-17	9010288	5-15	9010440	5-3
9010228	5-17	9010289	5-22, 5-23	9010441	5-3, 5-5
9010229	5-17, 5-21	9010290	5-22	9010442	5-3

# CROSS REFERENCE

Part Number	Page Number	Part Number	Page Number	Part Number	Page Number
9010443	5-3	9010517	5-10	9010582	5-12
9010444	5-3	9010518	5-10	9010583	5-12
9010445	5-3	9010519	5-10	9010585	5-12
9010446	5-3	9010520	5-10	9010586	5-12
9010447	5-3	9010521	5-10	9010587	5-12
9010448	5-3	9010522	5-10	9010589	5-12
9010449	5-3	9010523	5-10	9010590	5-12
9010450	5-3	9010524	5-10	9010591	5-12
9010451	5-3	9010525	5-10	9010592	5-12
9010452	5-3	9010526	5-10	9010593	5-12
9010453	5-3	9010527	5-10	9010594	5-12
9010454	5-3	9010528	5-10	9010595	5-12
9010455	5-3	9010529	5-10	9010596	5-12
9010456	5-3	9010530	5-9	9010597	5-12
9010457	5-3	9010531	5-9	9010598	5-12
9010458	5-3	9010532	5-9	9010599	5-12
9010459	5-3	9010533	5-9	9010600	5-11, 5-12
9010460	5-4	9010534	5-9	9010601	5-12
9010461	5-4	9010535	5-9	9010602	5-13
9010462	5-4	9010536	5-9	9010603	5-13
9010464	5-4	9010537	5-9	9010604	5-13
9010465	5-4, 5-5	9010538	5-9	9010606	5-13, 5-15
9010466	5-4	9010539	5-9	9010607	5-13
9010468	5-5	9010540	5-9	9010609	5-13
9010469	5-5	9010541	5-9	9010610	5-13
9010470	5-5	9010542	5-9	9010612	5-13
9010471	5-5	9010543	5-9	9010613	5-15
9010473	5-5	9010544	5-9	9010615	5-15
9010479	5-19	9010545	5-9	9010617	5-15
9010480	5-5	9010546	5-9	9010618	5-15
9010481	5-5	9010547	5-9	9010619	5-16
9010482	5-5	9010548	5-9	9010623	5-17
9010483	5-5	9010549	5-9	9010624	5-17
9010484	5-5	9010550	5-9	9010625	5-17
9010485	5-5	9010551	5-9	9010626	5-29
9010487	5-7	9010552	5-9	9010628	5-21
9010488	5-7	9010554	5-9	9010629	5-21
9010489	5-7	9010555	5-9	9010630	5-21
9010490	5-7	9010556	5-9	9010631	5-21
9010491	5-7, 5-9	9010557	5-9	9010632	5-22
9010492	5-7	9010559	5-9	9010634	5-30
9010493	5-7	9010560	5-9	9010635	3-83
9010494	5-7	9010561	5-9	9010904	2-41
9010495	5-7	9010562	5-9	9010905	5-22
9010496	5-7	9010563	5-9	9010910	5-22
9010497	5-7	9010564	5-9	9011343	4-11, 4-13
9010498	5-7	9010565	5-9	9011345	4-11, 4-13
9010502	5-7	9010567	5-9	9011346	4-11, 4-13
9010503	5-7, 5-13	9010568	5-9	9011347	4-11, 4-13
9010504	5-7	9010569	5-9	9012585	4-21
9010505	5-7	9010570	5-11	9012587	4-21
9010506	5-7	9010571	5-11	9012589	4-21
9010507	5-7	9010572	5-11	9012591	4-21
9010508	5-7	9010574	5-11	9012592	4-21
9010511	5-7	9010575	5-11	9012593	4-21
9010512	5-7	9010576	5-11	9012594	4-21
9010513	5-10	9010577	5-11	9012595	4-21
9010514	5-10	9010578	5-11	9012832	2-59, 2-61
9010515	5-10	9010579	5-11	9013159	2-37
9010516	5-10	9010580	5-11	9013530	5-22



<b>Part Number</b>	<b>Page Number</b>
9014160 . . . . .	1-1, 5-5, 5-19
9014161 . . . . .	5-5
9014162 . . . . .	5-5
9014202 . . . . .	2-23, 2-25
9014281 . . . . .	3-31
9014285 . . . . .	2-79
9014423 . . . . .	2-35
9014662 . . . . .	2-4, 2-5
9014666 . . . . .	2-4, 2-5
9014667 . . . . .	2-4
9015633 . . . . .	2-17
9015635 . . . . .	2-17
9015636 . . . . .	2-17, 4-23
9015878 . . . . .	5-26
9015915 . . . . .	5-16
9015916 . . . . .	5-16
9016200 . . . . .	3-83
9016201 . . . . .	3-83
9016202 . . . . .	3-83
9016203 . . . . .	3-83
9016204 . . . . .	3-83
9016205 . . . . .	3-83
9016206 . . . . .	3-83
9016241 . . . . .	2-103
9016242 . . . . .	2-103
9016285 . . . . .	3-83
9016315 . . . . .	3-73
9016320 . . . . .	2-9
9016321 . . . . .	2-9
9016324 . . . . .	2-9
9016326 . . . . .	2-9
9016327 . . . . .	2-9
9016329 . . . . .	2-9
9016330 . . . . .	2-9
9016332 . . . . .	2-9
9016333 . . . . .	2-9
9016335 . . . . .	2-9
9016336 . . . . .	2-9
9016337 . . . . .	2-9
9016494 . . . . .	3-11
9017944 . . . . .	2-79
9018721 . . . . .	2-15, 4-21
9018734 . . . . .	4-21
9019145 . . . . .	2-43

**PART DESCRIPTION TO PAGE NUMBER CROSS REFERENCE LIST**

**A**

Ace, Thrust, Motor, Hyd [En], 4-9  
 Actuator, Valve, By-Pass [En], 4-7  
 Adapter, 5-28  
 Adapter, Head / Wand [17b/E], 3-57  
 Adapter, Filter, Oil, Remote [Mit], 5-21  
 Adapter, Rod-End, Side Brush, 3-9  
 Adjuster Assy, Lash, 5-9  
 Alarm Assy, Backup, 12/48Vdc, 3-43  
 Alarm Kit, Backup, Ci [M20 And T20], 3-43  
 Alarm, 9-48vdc, 95 Db(A) [Ec-H20], 3-29  
 Alarm, Warning [Sonalert, St628], 2-47  
 Alternator, 7si [Mit Df Sur-Belt], 5-20  
 Anchor [Shackle], .50 Bolt, 3-82  
 Angle, Brace, Shrd, 2-21  
 Angle, Mtg, 2-57  
 Angle, mtg, Antenna, Telem, 3-51  
 Angle, Mtg, Stil, .12 3.7 3.4 09.11, 2-93, 2-101  
 Angle, Mtg, Stil, .12 4.2 2.0 01.41, 2-89  
 Angle, Mtg, Stil, .19 3.1 1.8 01.41, 2-89  
 Angle, Mtg, Valve, 2-93, 2-101  
 Angle, Protector, Lh, 2-71  
 Angle, Protector, Rh, 2-71  
 Angle, Sppt, Fan, 2-103  
 Antenna, Telem [4g, 180"], 3-51  
 Antenna, Telem, 70 In [Gprs], 3-51  
 Arm [Positioning], 2-57  
 Arm Assy, Rocker [A], 5-9  
 Arm Assy, Rocker [B], 5-9  
 Arm Assy, Rocker [C], 5-9  
 Arm Wldt, Alternator [Mit 2013], 2-35  
 Arm Wldt, Lift, Sqge, Lh, 2-87  
 Arm Wldt, Safety, Sppt, Seat, .38d 06.5d, 2-15  
 Arm Wldt, Safety, Sppt, Seat, .38d 10.11, 2-99  
 Arm Wldt, Sqge, Lift, Rh, 2-83  
 Arm, Cntrl, Pintle, Centering, 2-57  
 Arm, Lever, Brake, 4.1 [Knott], 2-51  
 Arm, Lift, Head [5700], 2-69  
 Arm, Link, 3-9  
 Arm, Pinch, 2-93, 2-101  
 Arm, Pintle, 2-57  
 Arm, Sqge, Side, Lh, 2-87  
 Arm, Sqge, Side, Rh, 2-83  
 Armrest, 4-21  
 Axle, Wand [17b/E], 3-57

**B**

Bag, Power, 3-53, 3-59, 3-61, 3-71  
 Bar Wldt, Retainer, Sqge, Rear, 2-73  
 Bar, Flat, Ss 0.06, 00.50 X 10.00, 2sl, 2-13  
 Bar, Flat, Stil 0.19, 01.50 X 04.11, 2-49  
 Bar, Rnd, Plstc, 0.31d 12.51, 2-89, 2-90  
 Bar, Tensioner, Mtg [Mit 2.0/2.4], 5-17  
 Battery, 12vdc, 0475cca, Ah, Wet, 2-47  
 Battery, Wet, 12vdc 0475cca, 1-1

Bearing Kit [C], 4-15  
 Bearing, Ball, 0.98b 2.05d 0.59w, 2-59, 2-61  
 Bearing, Ball, 1.18b 2.44d 0.63w, 2-51  
 Bearing, Ball, 20mm B 42mm D 12mm W, 2-35  
 Bearing, Cone, 1.38b 0.71w, 2-49  
 Bearing, Cone, Pump, Hyd, 4-7  
 Bearing, Cshft [ Black Std 3], 5-3  
 Bearing, Cshft [ Green Std 3], 5-3  
 Bearing, Cshft [ Lan Std 1,2,4,5], 5-3  
 Bearing, Cshft [ Lan Std 3], 5-3  
 Bearing, Cshft [ No Color Std 3], 5-3  
 Bearing, Cshft [ Red Std 1,2,4,5], 5-3  
 Bearing, Cshft [ Yellow Std 3], 5-3  
 Bearing, Cshft [Green Std 1,2,4,5], 5-3  
 Bearing, Cshft [Yellow Std 1,2,4,5], 5-3  
 Bearing, Cshft[No Color Std 1,2,4,5], 5-3  
 Bearing, Cup, 4-7  
 Bearing, Cup, 2.56d 0.55w, 2-49  
 Bearing, Flng, 2hole, 0.50b, 2-17  
 Bearing, Flng, 2hole, 0.50b [Nyl], 2-17  
 Bearing, Journal, 0.75b 0.88d 0.75l, 4-23  
 Bearing, Oversize [1.0], 5-3  
 Bearing, Pillowblock, 1.02b [Solid Pye], 2-53  
 Bearing, Rlr, Cam 52 X 14 X 20, 2-75  
 Bearing, Rod, Connect [ Lan Std], 5-10  
 Bearing, Rod, Connect [No Color Std], 5-10  
 Bearing, Rod, Connect [Yellow Std], 5-10  
 Bearing, Self Align, 0.75b 1.25d, 2-63, 2-69  
 Bearing, Shaft, Balancer [ Ovrsl], 5-3  
 Bearing, Shaft, Std, Balancer, 5-3  
 Bearing, Split, 1.00b, 2-53, 2-71  
 Bearing, Std, Balancer, 5-3  
 Bearing, Thrust, 4-9  
 Bearing, Thrust, 0.53b 1.00d 0.03w, 3-9  
 Bearing, Thrust, 0.75b 1.25d 0.06w, 2-75  
 Bearing, Thrust, Cshft, 5-3  
 Bearing, Thrust, Pump, Hyd, 4-7  
 Bellows, Seat, 4-21  
 Belt, Ribbed, 38.5l, 1-1  
 Belt, Ribbed, Alternator, 41.5l, 2-35  
 Belt, Ribbed, Fan, 42.13l, 2-35  
 Belt, Timing, 5-9, 5-11  
 Bezel, Switch [3 Gang], 2-13  
 Blade, Sqge, .38 3.55w 038.3l, Linatex, 2-81  
 Blade, Sqge, .38 3.55w 038.3l, Ure, 1-1  
 Blade, Sqge, .38 3.55w 038.3l, Ure (Option), 2-81, 2-85  
 Blade, Sqge, 300.8mml, Wand [17b/E, G], 3-57  
 Blade, Sqge, 37.08l Linatex, 1-1, 2-85  
 Blade, Sqge, Front [Linard], 1-1  
 Blade, Sqge, Front, 49.58l [Linard], 2-73  
 Blade, Sqge, Front, 49.58l Ure (Option), 2-73  
 Blade, Sqge, Front, 49.59l Pyu, 1-1

Blade, Sqge, Rear, 53.78L Pyu, 1-1  
 Blade, Sqge, Rear, 53.78l Ure (Option), 2-73  
 Blade, Sqge, Rear, Linatex, 1-1, 2-73  
 Blade, Sqge, Side Brush, Linatex, 1-1, 3-7  
 Blade, Sqge, Side Brush, Urethane, 1-1, 3-7  
 Block Assy, Cylinder, 5-3  
 Block, Centering, 2-71  
 Block, Spacer, 2-35  
 Bolt, 5-7, 5-21  
 Bolt, 3/8-16 X 1 1/4 Hxhd [Mit], 5-17  
 Bolt, 3/8-16 X 4.5 [Mit], 5-17  
 Bolt, Belt, Balancer, Train, 5-11  
 Bolt, Cap, Bearing, 5-3  
 Bolt, Carriage, M06 X 1.00 X 40, 4.6, 3-29  
 Bolt, Carriage, M10 X 1.5 X 70, 2-79  
 Bolt, Connecting, 5-10  
 Bolt, Eye, .25-20 X 1.40 X .25 Eye, 2-57  
 Bolt, Eye, M08 X 1.25 X 070mm, 05.50 Eye, 2-83, 2-87  
 Bolt, Eye, M8 X 1.25 X 070mm, 05.50 Eye, 2-57  
 Bolt, Flange, 5-3, 5-5, 5-7, 5-9, 5-11, 5-12, 5-13, 5-15  
 Bolt, Flywheel [Mit 20/24m], 5-18  
 Bolt, M10-1.25 X 20 Hxhd [Mit], 5-25  
 Bolt, M10-1.25 X 30 Soc Hd [Mit], 5-18  
 Bolt, M10-1.25 X 45 Soc Hd [Mit], 5-18  
 Bolt, M10-1.50 X 30 [Mit], 5-20  
 Bolt, M12-1.75 X 25, Hex Hd [Mit], 5-18  
 Bolt, M6-1.0 X 10 Fl Hd [Mit], 5-16, 5-25, 5-29  
 Bolt, M6-1.0 X 12 Fl Hd PI [Mit], 5-25  
 Bolt, M6-1.0 X 16 Fl Hd [Mit], 5-25  
 Bolt, M6-1.0 X 20 Fl Hd [Mit], 5-18, 5-19  
 Bolt, M6-1.0 X 25 Soc Hd [Mit], 5-28  
 Bolt, M6-1.0 X 30 Fl Hd [Mit], 5-25  
 Bolt, M6-1.0 X 45, Skt Hd [Mit], 5-27  
 Bolt, M6-1.0 X 85 Soc Hd [Mit], 5-28  
 Bolt, M8-1.25 X 12 [Mit], 5-23  
 Bolt, M8-1.25 X 15, Hx Hd [Mit], 5-18  
 Bolt, M8-1.25 X 16 Fl Hd [Mit], 5-29  
 Bolt, M8-1.25 X 16, Soc Hd [Mit], 5-26  
 Bolt, M8-1.25 X 20 Fl Hd [Mit], 5-17  
 Bolt, M8-1.25 X 25 [Mit], 5-17, 5-21  
 Bolt, M8-1.25 X 25 Flg Hd [Mit], 5-23  
 Bolt, M8-1.25 X 25 Soc Hd [Mit], 5-17  
 Bolt, M8-1.25 X 55 Fl Hd [Mit], 5-9  
 Bolt, M8-1.25 X 65 Hxhd [Mit], 5-9  
 Bolt, M8-1.25 X 70 Hxhd [Mit], 5-9, 5-21  
 Bolt, Manifold, Inlet, 5-15  
 Bolt, Motor, Hyd, 4-5  
 Bolt, Rocker, Cover, 5-4  
 Bolt, Seal, 5-9  
 Bolt, Shld, .31d X 1.00, .25-20, 2-57  
 Bolt, Shld, 1.37d X 5.13l, 1.1-18 Drilled, 2-49  
 Bolt, Sprocket, Cshft, 5-10  
 Bolt, Washer, 5-9, 5-10, 5-12, 5-17  
 Boot, .63id .29l .90w, 2-13

- Boot, Bulb, .50id 1.00id 2.50l, Red, 2-35  
 Boot, Circuitbreaker, 3-29  
 Boot, Switch, Ignition, 2-13  
 Bracket Assy, Coil, Ignition, 5-7  
 Bracket Wldt, Alternator [Mit13], 2-35  
 Bracket Wldt, Arm, Lower Cntrl, 2-69  
 Bracket Wldt, Brush Wrap Mtg, Rh, 2-63  
 Bracket Wldt, Brush Wrap, Lh, 2-63  
 Bracket Wldt, Head, Lower, Lh, 2-69  
 Bracket Wldt, Head, Lower, Rh, 2-69  
 Bracket Wldt, Hose, 2-17  
 Bracket Wldt, Latch, 2-19  
 Bracket Wldt, Mtg, 3-73  
 Bracket Wldt, Mtg [FaST Gen 2+], 3-17  
 Bracket Wldt, Mtg, Caster, 2-79  
 Bracket Wldt, Mtg, Eng, Rear [Mit 2013], 2-23, 2-25  
 Bracket Wldt, Mtg, Engine [Mit 2013], 2-23, 2-25  
 Bracket Wldt, Mtg, Hose, 2-9  
 Bracket Wldt, Mtg, Side Brush Fixed, 3-7  
 Bracket Wldt, Mtg, Sqge, 2-79  
 Bracket Wldt, Mtg, Tank, 2-9  
 Bracket Wldt, Pivot, 2-75  
 Bracket Wldt, Propel, Pintle, 2-57  
 Bracket Wldt, Steering, Tilt, 2-17  
 Bracket Wldt, Steering, Tilt, Rh, 2-17  
 Bracket, Angle, Sppt, Shield, 2-69  
 Bracket, Angle, Stop, 2-75  
 Bracket, Axle, 1 Hole [17b/E], 3-57  
 Bracket, Axle, 3 Hole [17b/E], 3-57  
 Bracket, Coil [Mit 2.0/2.4], 5-19  
 Bracket, Filter, Oil, Remote [Mit], 5-21  
 Bracket, Guide, Shrd, 2-21  
 Bracket, Indicator, Timing, 5-9  
 Bracket, Latch, Cover, 2-21, 3-67  
 Bracket, Latch, Keeper [Southco], 2-21  
 Bracket, Latch, Shrd, Seat, 2-15  
 Bracket, Mtg, 2-9  
 Bracket, Mtg [FaST Gen 2+], 3-17  
 Bracket, Mtg, Alternator [Mit 2013], 2-35  
 Bracket, Mtg, Cable, 2-53  
 Bracket, Mtg, Camera [T20] (PRO PANEL ONLY), 2-99  
 Bracket, Mtg, Cover, Recvy Tank, 2-99  
 Bracket, Mtg, Cyl, 2-83, 2-87  
 Bracket, Mtg, Detgt And Spray Wand, 3-5  
 Bracket, Mtg, Fltr, Air [Mit 2013], 2-31, 2-33  
 Bracket, Mtg, Insulation, 2-9  
 Bracket, Mtg, Latch, 3-81  
 Bracket, Mtg, Latch, Tank Cover, 2-89, 2-90  
 Bracket, Mtg, Lift, Scb Head, 2-63  
 Bracket, Mtg, Mirror, Rearview, 3-49  
 Bracket, Mtg, Muffler [M20/T20 2007], 2-37  
 Bracket, Mtg, Prop Rod, 2-99  
 Bracket, Mtg, Pump, 3-59, 3-63  
 Bracket, Mtg, Pump, Hp, Replmt, 3-73  
 Bracket, Mtg, Radiator, 2-39  
 Bracket, Mtg, Scb Head, Lh, 2-63  
 Bracket, Mtg, Scb Head, Rh, 2-63  
 Bracket, Mtg, Skirt, 2-65  
 Bracket, Mtg, Skirt, Door, Brush, 2-81, 2-85  
 Bracket, Mtg, Sppt, 2-49  
 Bracket, Mtg, Spray Handle, 3-63, 3-65  
 Bracket, Mtg, Spray Wand [FaST, Conv], 3-63, 3-65  
 Bracket, Mtg, Spring, 2-63  
 Bracket, Mtg, Sqge, Disk Head (Disk Scrub Head), 2-7  
 Bracket, Mtg, Static Strap, 2-75  
 Bracket, Mtg, Strainer, 3-5  
 Bracket, Mtg, Switch, 2-53  
 Bracket, Mtg, Tank, 2-89  
 Bracket, Mtg, Torque Tube, 2-69  
 Bracket, Mtg, Valve, 3-3  
 Bracket, Mtg, Valve, Hyd, Scb, 2-123  
 Bracket, Mtg, Wand, 3-59, 3-61  
 Bracket, Muffler, 2-37  
 Bracket, Propel, G/Lpg [Mit 2013], 2-57  
 Bracket, Pulley, Tensioner, 5-9  
 Bracket, Pump, Mtg, 5-17  
 Bracket, Retainer, Lh, 2-59  
 Bracket, Retainer, Pump, 3-17  
 Bracket, Retainer, Rh, 2-61  
 Bracket, Retainer, Safety, 2-57  
 Bracket, Retaining, Hose, 2-93, 2-101, 3-67  
 Bracket, Seat, Adj, 2-15  
 Bracket, Shrd, Fan, Lower, Sppt, G/Lpg, 2-39  
 Bracket, Shrd, Fan, Upper, Sppt, G/Lpg, 2-39  
 Bracket, Spacer, Controlbox, 3-51  
 Bracket, Sppt, 2-59, 2-61  
 Bracket, Sppt, Cover, Tank, Recvy, 2-99  
 Bracket, Sppt, Shield, 2-75  
 Bracket, Sppt, Strobe Light, 3-43, 3-44  
 Bracket, Sppt, Strobel Light, 3-45  
 Bracket, Spring, 2-75  
 Bracket, Tensioner, [Mit 2.0/2.4], 5-17  
 Bracket, Valve, Mtg, 3-75  
 Bracket, Valve, Sba [M20 And T20], 3-13  
 Bracket, Valve, Water, 2-97  
 Bracket, Vaporizer [Mit 20/24m Tilt], 5-29  
 Bracket, Wand, Handle, 3-57  
 Bracket, Wand, Valve Mtg, 3-57  
 Brake Assy, Drum, Mech, 07.0d 1.2w, 2-51  
 Brkt, Ftg, 2-67  
 Brush Assy, Disk, Scb, 14.0d, Nylon, 2-4  
 Brush Assy, Disk, Scb, 14.0d, Polypropylene, 2-4  
 Brush Assy, Disk, Scb, 14.0d, Super Abrasive, 2-4  
 Brush Assy, Disk, Scb, 16.0d, Heavy Duty Polypropylene, 2-5  
 Brush Assy, Disk, Scb, 16.0d, Nylon, 2-5  
 Brush Assy, Disk, Scb, 16.0d, Super Abrasive, 2-5  
 Brush Assy, Disk, Swp, 24.0d, Polypropylene, 2-5  
 Brush Kit, Hub Assy, Drive, Ci [Comm], 2-4  
 Brush Kit, Hub Assy, Drive, Ci [Hdpe In], 2-4, 2-5  
 Brush Kit, Hub Assy, Drive, Ci [Uhmw], 2-4, 2-5  
 Brush, Power Wand, W/ FaSTener, Abr, 3-57  
 Brush, Power Wand, W/ FaSTener, Pyp, 3-57  
 Brush, Sweep / Scb, 40L, 24Sr, Super Abrasive, Spiral, 2-4  
 Brush, Sweep / Scb, 40L, Heavy Duty, Polypropylene, Spiral, 2-4  
 Brush, Sweep / Scb, 40L, Polyester, Spiral, 2-4  
 Brush, Sweep / Scb, 40L, Polypropylene, Spiral, 2-4  
 Brush, Sweep / Scb, 40L, Window, Polypropylene, Spiral, 2-4  
 Brush, Sweep / Scb, 40L, Window, Super Abrasive, Spiral, 2-4  
 Bumper Kit, Hd, Ci [T20], 3-76  
 Bumper Wldt, Brush, Side, 3-7  
 Bumper Wldt, Rear, 2-7  
 Bumper, Rbr, 0.5d 0.16t M5 X 08, 2-57  
 Bumper, Rbr, 1.00d 0.38th M8x1.25, 2-69  
 Bumper, Sqge, 2-73  
 Bumper, Ure, 1.50d 1.25l, 3-69, 3-79  
 Bushing, 5-3, 5-5  
 Bushing, Eccentric, Adj, 2-93, 2-101  
 Bushing, Fng, 0.32b 0.50d 0.24l, Bnz, 2-79  
 Bushing, Fng, 0.50b 0.59d 0.38l, 2-93, 2-101  
 Bushing, Fng, 0.63b 0.75d 0.38l, 2-79, 2-81, 2-85  
 Bushing, Fng, 1.25b 1.41d 0.50l, 4-23  
 Bushing, Fng, 1.50b 1.65d 1.00l, 2-67  
 Bushing, Knock, 5-3  
 Bushing, Sleeve, 0.37b 0.50d 0.50l, Oib, 2-53  
 Bushing, Sleeve, 0.50b 0.59d 0.50l, Bnz, 3-9  
 Bushing, Sleeve, 0.62b 0.72d 0.50l, Fgl, 2-79  
 Bushing, Sleeve, 0.63b 0.72d 0.38l, 2-83, 2-87  
 Bushing, Sleeve, 0.75b 0.88d 0.25l, 2-93, 2-101  
 Bushing, Sleeve, 0.78b 0.86d 0.93l, Bnz, 2-51  
 Bushing, Sleeve, 1.00b 1.13d 1.50l, Fgl, 3-9  
 Bypass Valve Kit, Pump, Repair,, 4-17

**C**

- Cable, Battery, 2ga, 60l, Red, 2-47  
 Cable, Battery, 2ga, 62l, Blk, 2-47  
 Cable, Camera, 236.2l [Hvs] (PRO PANEL ONLY), 2-99  
 Cable, Glv .06d 012.0l .26eye /.26eye, 3-69, 3-79  
 Cable, Glv .09d 016.5l .38eye /.38eye, 2-19

## CROSS REFERENCE

- Cable, Glv .13d 015.8l .50eye / .50eye, 2-83, 2-87
- Cable, Push / Pull, 063.0l 4.0, .31-24, 2-53
- Cable, Push / Pull, 098.0l .25-28/.25-28, 2-55
- Cable, Ss .12d 013.3l .2clevis / .2clevis, 2-71
- Cam, Centering, Pintle, 2-57
- Cam, Front, Yel, 3-7
- Cam, Front, Yellow, 2-73
- Cam, Plt, Brake [Nickel], 2-51
- Cam, Rear, Yellow, 2-73
- Cam, Sensor, Wheel [Mit 2.0/2.4], 5-25
- Camera, Color, Fixed (PRO PANEL ONLY), 2-99
- Camshaft Assy, 5-9
- Cap Assy, Tank, Drain, 2-99, 4-3
- Cap Screw, 4-8
- Cap Screw Cl, 4-9
- Cap, Breather, Hyd, 2.4 Ds, 1-1
- Cap, Breather, Hyd, W Chain, 2-121
- Cap, End, Valve, Steering, 4-15
- Cap, Fuel, Tank, 2-43
- Cap, Hub, Dust 2.57d 0.77l, 2-51
- Cap, Oil, Filler, 5-4
- Cap, Radiator, 14Psi [Stant], 2-39
- Cap, Rbr, 0.50id 1.18l Blk, 2-97
- Cap, Rubber, 5/8id [Mit 2.0/2.4], 5-22
- Cap, Seal, 5-3
- Cap, Tank, 3-5
- Cap, Vinyl, 57mmid X 23mml, 2-59, 2-61
- Capacitor, Plug [4700uf, 25v], 3-42
- Caster Assy, F/ Sqge, Replmt[M20/T20], 2-79
- Caster Kit, Rear Squeegie, Am, 2-79
- Caster, Pivot, 2-79
- Catch, Latch, Tank Cover, 2-89, 2-90
- Channel Wldt, Guard, Sqge, 3-69, 3-79
- Channel Wldt, Pivot, 3-9
- Channel, .18, 2.5w 1.3 01.0l, 1/0.5h (Flashing or Strobe Light Option Only), 3-73
- Channel, Shield, Muffler [M20/T20 2007], 2-37
- Channel, Sppt, Tank, 2-89
- Chech Valve Kit, Pump, Repair,, 4-17
- Circuitboard Assy [Dc To Dc Conv.], 3-29
- Circuitbreaker, 02.0a, Resetable, 3-29
- Clamp Wldt, Front, 2-73
- Clamp Wldt, Rear, 2-73
- Clamp, 0.75d [Mit], 5-25
- Clamp, 1/4 Hole [Mit #20], 5-25
- Clamp, 3/8id [Mit Olive Green], 5-15
- Clamp, Cable, Nyl, 0.62D, Nat, 3-51
- Clamp, Cable, Ss, 0.50d X 0.50w [Insul], 4-19
- Clamp, Cable, Ss, 1.12d X 0.38w, 1h, 2-95
- Clamp, Cable, Ss, 2.50d X 1.00w, 1hole, 2-103
- Clamp, Cable, Stl, 0.25D X 0.56W, 1Hole, 3-44, 3-45
- Clamp, Cable, Stl, 0.44d X 0.62w, 1h, 2-119
- Clamp, Cable, Stl, 0.69d X 0.62w, 1h, 2-55, 2-99
- Clamp, Cable, Stl, 0.69d X 0.62w, 1hole, 2-45
- Clamp, Cable, Stl, 1.00d X 0.75w, 1hole, 2-33
- Clamp, Cable, Stl, 1.50d X 1.00w, 1h, 2-9, 2-47, 2-119
- Clamp, Cable, Stl, 1.50d X 1.00w, 1hole, 2-7, 2-41
- Clamp, Cable, Stl, 2.00d X 0.75w, 1hole, 2-43
- Clamp, Hose, Ear, 11-13mm, Ss, 3-55
- Clamp, Hose, Ear, 8-11mm, Ss, 3-57
- Clamp, Hose, Spring Stl, 0.58d X 0.31w, 2-27, 2-29
- Clamp, Hose, Spring, 0.62d, 5-22, 5-29
- Clamp, Hose, Wir, .52 - .56, Yel, 4-19
- Clamp, Hose, Wir, .63 - .66, Blk, 4-19
- Clamp, Hose, Wormdrive, 0.25-0.62d, .31w, 2-41, 2-97, 3-3, 3-5, 3-17, 3-31
- Clamp, Hose, Wormdrive, 0.31-0.88D, .31W, 2-31, 2-33, 2-43, 2-47, 2-97, 3-11, 3-17, 3-19, 3-21, 3-23, 3-25, 3-31, 3-33, 3-35, 3-37, 3-39, 3-59, 3-61, 3-63
- Clamp, Hose, Wormdrive, 0.56-1.06D, .56W, 2-95, 2-97, 3-3, 3-5, 3-11, 3-19, 3-21, 3-23, 3-33, 3-35, 3-37, 3-59, 3-63, 3-65, 3-73
- Clamp, Hose, Wormdrive, 0.81-1.50d, .50w, 2-77
- Clamp, Hose, Wormdrive, 0.81-1.50d, .50w (Disk Scrub Head), 2-7
- Clamp, Hose, Wormdrive, 1.25-2.00D, .50W, 2-41, 3-53
- Clamp, Hose, Wormdrive, 1.56-2.50d, .50w, 2-41
- Clamp, Hose, Wormdrive, 1.81-2.75d, .50w, 2-31, 2-33
- Clamp, Hose, Wormdrive, 2.50-3.50d, .50w, 2-93, 2-101
- Clamp, Hose, Wormdrive, 3.56-4.50d, .50w, 2-93, 2-101
- Clamp, Hyd, 0.50d, 2-59, 2-61
- Clamp, Mtg, Fltr, Air, 2-31, 2-33
- Clamp, Tension [Mit #29], 5-29
- Clevis, Adj, 0.25 Pin, 0.25-28 Rh, Pl, 2-53
- Clevis, Adj, 0.25pin, 0.25-28left Pl, 2-53
- Clevis, Adj, 0.31pin, 0.31-24, 2-53
- Clip, .250h, Plstc [Pine-Tree], 2-65, 2-75, 2-81, 2-85
- Clip, Grip, Finger, .875-1.25, 3-63, 3-65
- Clip, Grip, Finger, 0.88-1.25d, 3-29
- Clip, Grip, Finger, 1.00-1.88d White,Vyl, 3-53, 3-59, 3-61, 3-71
- Clip, Keeper, Open, 2-39
- Clip, Retainer, .25d, 2-75
- Clip, Tie, 0.25d, Plstc (PRO PANEL ONLY), 2-99
- Clip, Wiper, 2-75
- Coil, Ignition [Mit 2.0/2.4], 5-19
- Collar, Split, 1.50b .50w 2/Bolt, 2-67
- Column, Pump, Water, 4-3
- Complete Pump Kit, Pump, Repair,, 4-17
- Connector, Fem, 02cav, Mp280 Sealed, 4-17
- Connector, Fuel, Qf, 2-43
- Control Box Assy Kit, Replmt, Telem [CAN], 3-51
- Control Box Assy Kit, Replmt, Telem [USA], 3-51
- Controller Kit, Replmt [Ec-H20], 4-19
- Coupler, Pump, 4-7
- Coupling, Flywheel [Mit20/24m], 5-18
- Coupling, Nozzle, Spray, 3-63, 3-65
- Coupling, Tube, Vacuum, 2-77
- Cover, 5-5
- Cover Assy, Front, Upper [T-Belt], 5-7
- Cover Assy, Rocker, 5-4
- Cover Kit, Soltn Tank, Rh [M20 & T20], 2-89
- Cover Kit, Tank, Recvy, Replmt [T20], 2-99
- Cover Kit, Tank, Soltn, Lh, Replmt, 2-90
- Cover Kit, Tank, Soltn, Lh, Replmt, Ce (Japan and Europe Only), 2-90
- Cover Kit, Tank, Soltn, Rh, Replmt, Ce (Japan and Europe Only), 2-89
- Cover Wldt, Power Supply, 3-29
- Cover, Backrest, 4-21
- Cover, Cushion, 4-21
- Cover, Dust [Mit 2.0], 5-18
- Cover, End, 4-7
- Cover, Fuse, Block, 2-47
- Cover, Lower, Front [T-Belt], 5-7
- Cover, Rear [T-Belt], 5-7
- Cover, Tank, 2-99
- Cover, Tank, Soltn, Lh, Trimmed, 2-90
- Cover, Tank, Soltn, Rh, Trimmed, 2-89
- Cover, Tank, Soltn, Rh, Trimmed (Japan and Europe Only), 2-89, 2-90
- Cover, Timing, Gear [Mit 2.0/2.4], 5-9
- Cover, Trimmed, 3-29
- Crank Kit, Pump, F/79323, Replmt, 4-16
- Crankshaft Assy, 5-10
- Crossmember Wldt, Lift, 2-79
- Crossmember Wldt, Sqge (Disk Scrub Head), 2-7
- Cuff, Swivel, 1.5 Blk, 3-55
- Cup Holder, Rwk, 2-13
- Cylinder Assy, Head, Bolt, 5-5
- Cylinder, Hyd, 1.5b 07.8l 02.75strk 2500, 3-9
- Cylinder, Hyd, 1.5b 07.8l 02.80strk 2500, 2-63, 2-83, 2-87, 3-9
- Cylinder, Hyd, 1.5b,07.8l,02.80strk,2500, 2-69, 2-71
- Cylinder, Hyd, 2.0b,15.2l,09.00strk,3000, 2-49

## D

- Detergent, Pkg, 2 Liter, Sgl [665], 3-17
- Device, Centering, Clip On, TI [Gf Pp], 2-4

Diaphragm Kit, Pump, Repair,, 4-17  
 Diode, Ele, Plug, 2-47  
 Dipstick Assy, Guage, 5-3  
 Dipstick, Guage, Guide, 5-3  
 Dipstick, Rod, Guage, 5-3  
 Disk, Driver, Pad, W/ Face, 14.0d, 2-4  
 Door Wldt, Brush, 2-59, 2-61  
 Door Wldt, Brush, Idler, 2-59, 2-61  
 Door Wldt, Brush, Lh, 2-87  
 Door Wldt, Brush, Rh, 2-83  
 Drain, Water, Joint, 5-3  
 Drive, 4-8  
 Drive [Cl], 4-9  
 Drive, Motor, Hyd, 4-5  
 Driver Assy, Pad, 14.0d, 2-4  
 Driver Assy, Pad, 14.0d, Brush, 2-4  
 Drum, Cable, Lift, 2-71

**E**

ec-H2O Kit, Flush, Replmt[M20, M30&T20], 3-31  
 Elbow, 5-21  
 Elbow, 1/8m X 1/8f, 90 [Mit], 5-15  
 Electrode, 5 Plate, High Flow, 4-19  
 Electrode, Cylindrical, 4-19  
 Element, Fltr, Air [Dn], 2-31, 2-33  
 Element, Fltr, Air, Safety (OPTION), 2-31, 2-33  
 Element, Fltr, Oil, Spin-On (Mits), 1-1, 2-23, 2-25, 5-21  
 End Cap, 4-8  
 End Cap, Motor, Hyd [En], 4-9  
 Engine, Block, Long [Mits 12mm] (See Engine Breakdown), 2-23, 2-25  
 Extinguisher Kit, Fire, Ci [M20 And T20], 3-77  
 Extinguisher, Fire, 2.5 Lb Dry, 3-77

**F**

Fan Kit, Scb, Replmt [M20/T20/M30], 2-103  
 Fan, Cooling, 14.1d, 6 Blade, 0.5b Taper, 2-35  
 FaST Kit, Ci [inj Reblid, M30/M20 III], 4-24  
 FaST Kit, Ci, Injector Filters[FaST li+], 4-24  
 FaST Kit, Injector [M20/T20/M30 FaST III] (See Breakdowns), 3-17  
 FaST Kit, Injector [M20/T20/m30 FaST III], 4-24  
 FaST Kit, Seal, injector, Ci [FaST III], 4-24  
 Filter Assy, Air, 2-31, 2-33  
 Filter Assy, Hyd, 10mic, 1-1, 2-121  
 Filter Kit, Fuelock, Lpg, 1-1, 5-29  
 Filter, Fuel [Gm 1.6l/3.0l], 1-1, 2-43  
 Filter, In-Line, Pf06/Pf06 080mesh 02.6l, 3-17, 3-31  
 Filter, Soltn, 020mesh, Pm12 3.1d 02.6l, 3-73

Filter, Soltn, 020mesh, Pm12 3.2d 08.0l, 3-5  
 Filter, Soltn, 20mesh, Pm12 3.1d 02.6l, 1-1, 2-89  
 Filter, Y, In-Line, .75, 3-73  
 Fitting Assy, Qdc, Pf04, 3-31  
 Fitting Kit, Hose, Garden, 3-3  
 Fitting Spray Nozzle Adapter, 3-57  
 Fitting, 1/2 Mpt X 5/8bh 90deg [Mit], 5-23  
 Fitting, 1/2 X 5/8 Hose,Plastic[Mit], 5-29  
 Fitting, 1/4mpt X 1/4mpt, 90deg[Mit], 5-29  
 Fitting, 1/8 Mpt X 3/8 Hb [Mit], 5-15  
 Fitting, 37deg [Mit], 5-7  
 Fitting, Alm, Str, Bm24/Bm48, 3-53, 3-55  
 Fitting, Barb, 3/4" [Epr], 5-30  
 Fitting, Brs, E90, Bm06/Pm04, 2-29  
 Fitting, Brs, E90, Bm12/Pm12, 3-73  
 Fitting, Brs, E90, Em05/Pm04, 2-43  
 Fitting, Brs, E90, Pf04/Pm04, 2-45  
 Fitting, Brs, E90, Pf06/Pm06, Spcl, 3-73  
 Fitting, Brs, E90, Pf08/Pm06, 3-73  
 Fitting, Brs, E90, Pm02/Bm03, 3-5  
 Fitting, Brs, Qdc, Bm04/Pf04, 3-55  
 Fitting, Brs, Qdc, Bm12/Qf08, 3-3  
 Fitting, Brs, Qdc, Pf04, Lpg Fem, 2-45  
 Fitting, Brs, Qdc, Pf08 [Parker Bh3f], 3-3  
 Fitting, Brs, Qdc, Pm04, Plug, 3-57  
 Fitting, Brs, Qdc, Pm04/Qf06, 3-59, 3-61  
 Fitting, Brs, Snubber, Pm02/Pf02, 3-31  
 Fitting, Brs, Spcl [Garden Hose], 3-63, 3-65  
 Fitting, Brs, Str, Bm06/Pm02, 2-27  
 Fitting, Brs, Str, Bm06/Pm06, 2-27, 2-29  
 Fitting, Brs, Str, Bm12/Pm08, 3-73  
 Fitting, Brs, Str, Bm12/Pm12, 3-73  
 Fitting, Brs, Str, Pf02/Pm02 [Bspt], 2-27  
 Fitting, Brs, Str, Pf02/Pm06, 3-31  
 Fitting, Brs, Str, Pf04/Pf04, Bh, 2-45, 3-59, 3-61  
 Fitting, Brs, Str, Pf06/Pf06 Bh, 3-63, 3-65  
 Fitting, Brs, Str, Pf06/Pm04, 2-27, 2-29, 3-71  
 Fitting, Brs, Str, Pf06/Pm12, 3-63, 3-65  
 Fitting, Brs, Str, Pm02, Plug [SKhd], 3-57  
 Fitting, Brs, Str, Pm04/Pm06 [Hp], 3-71, 3-73  
 Fitting, Brs, Str, Pm06/ Pm06, 3-73  
 Fitting, Brs, Str, Pm08/Garden Hose, 3-63, 3-65  
 Fitting, Brs, Tee, Pf04/Pf04/Pm04, Run, 2-45, 3-17  
 Fitting, Brs, Tip [75, .125k-Jet], 3-57  
 Fitting, Draincock, E90, .25npt, 2-41  
 Fitting, E, Gr, 4-3  
 Fitting, E90, 5-22  
 Fitting, Fuel, Str, 0.38-24 [07 Eng], 2-43  
 Fitting, Fuel, Str, 0.56-18 [07 Eng], 2-43  
 Fitting, Fuel, Str, M10x1.0, 2-43  
 Fitting, Grease, Str Pm04 .47l, 2-63, 2-69, 2-79  
 Fitting, Grease, Str Pm04 .63l, 2-49  
 Fitting, Grease, Str Pm04 .47L, 2-67  
 Fitting, Hose, Plastic, 5-29

Fitting, Hyd, Cap, Jf06, 2-119  
 Fitting, Hyd, Cap, Jf08, 3-13  
 Fitting, Hyd, E45, Jf08/Jm08, 2-123, 3-75  
 Fitting, Hyd, E45, Jf10/Jm10, 2-117  
 Fitting, Hyd, E45, Jm04/Om04, 3-13  
 Fitting, Hyd, E45, Jm04/Om06, 2-49  
 Fitting, Hyd, E45, Jm06/Om06, 2-17, 2-49  
 Fitting, Hyd, E45, Jm08/Om08, 2-123, 3-13  
 Fitting, Hyd, E45, Jm08/Om10, 2-103, 2-117  
 Fitting, Hyd, E45, Jm10/Om12, 2-49  
 Fitting, Hyd, E45, Jm12/Om16, 2-121  
 Fitting, Hyd, E45, Jm20/Om20, 2-121  
 Fitting, Hyd, E90, Jf04/Jm04, 2-61  
 Fitting, Hyd, E90, Jf06/Jm06, Long, 3-13  
 Fitting, Hyd, E90, Jf08/Jm08, 2-119  
 Fitting, Hyd, E90, Jm04/Om04, 2-67, 2-71, 2-83, 2-87, 2-123, 3-9  
 Fitting, Hyd, E90, Jm04/Om06, 3-75  
 Fitting, Hyd, E90, Jm04/Pm02, 2-121  
 Fitting, Hyd, E90, Jm06/Om04, 2-63, 2-69, 2-103, 3-9  
 Fitting, Hyd, E90, Jm06/Om06, 2-123  
 Fitting, Hyd, E90, Jm06/Om06, Long, 2-123  
 Fitting, Hyd, E90, Jm06/Om08, 2-117  
 Fitting, Hyd, E90, Jm08/Om08, 2-59, 2-61, 2-67, 2-117, 2-123, 3-13  
 Fitting, Hyd, E90, Jm08/Om08, L, 2-67  
 Fitting, Hyd, E90, Jm08/Om08, Long, 2-123  
 Fitting, Hyd, E90, Jm08/Om10, 3-7  
 Fitting, Hyd, E90, Jm10/Om12, 2-117  
 Fitting, Hyd, E90, Jm12/Om12, 2-119  
 Fitting, Hyd, E90, Jm12/Om12, L, 2-119  
 Fitting, Hyd, E90, Om04/Qm04, 2-123, 3-13  
 Fitting, Hyd, Plug, Om04, 4-13  
 Fitting, Hyd, Plug, Om06, 2-121, 2-123  
 Fitting, Hyd, Plug, Om06 (Cylindrical Scrub Head Only), 2-121  
 Fitting, Hyd, Plug, Om08, 4-7, 4-13  
 Fitting, Hyd, Plug, Om10, 2-121  
 Fitting, Hyd, Rst, Spcl, 2-83, 2-87  
 Fitting, Hyd, Str, Jm04/Om04, 2-59, 2-61  
 Fitting, Hyd, Str, Jm04/Om06, 3-13, 3-75  
 Fitting, Hyd, Str, Jm04/Om06 (Disk Scrub Head Only), 2-121  
 Fitting, Hyd, Str, Jm06/Om06, 2-17, 2-121, 3-13, 3-15  
 Fitting, Hyd, Str, Jm08/Om06, 2-17  
 Fitting, Hyd, Str, Jm08/Om08, 2-67, 2-117, 2-121, 3-13  
 Fitting, Hyd, Str, Jm08/Om10, 2-103  
 Fitting, Hyd, Str, Jm08/Om12, 3-75  
 Fitting, Hyd, Str, Jm10/Om10, 2-123  
 Fitting, Hyd, Str, Jm10/Om12, 2-49  
 Fitting, Hyd, Str, Jm20/Om16, 2-117  
 Fitting, Hyd, Str, Om04/Qm04, 2-123, 3-13  
 Fitting, Hyd, Str, Pf02/Pm04, 2-45  
 Fitting, Hyd, Tee, Jf04/Jm04/Jm04, Run (DISK HEAD ONLY), 3-75

## CROSS REFERENCE

- Fitting, Hyd, Tee, Jf08/Jm08/Jm08, Br, 2-103  
Fitting, Hyd, Tee, Jm04/Jm04/Om04, Run, 2-67  
Fitting, Hyd, Tee, Jm08/Jm08/Om08, Br, 2-123  
Fitting, Hyd, Tee, Jm08/Jm08/Om08, Run, 3-75  
Fitting, Nyl, Qdc, E90, Bm08/ Qm10, 3-17, 3-31  
Fitting, Nyl, Str, Bm04/Pm04, 3-57  
Fitting, NylY, Qdc, E90, Bm06/ Qm10, 3-17  
Fitting, Pipe, Plug, Pm02, Sq Head, 2-43  
Fitting, Pipe, Str, Pm04/Sf04, 2-45  
Fitting, Plstc, Cap, Pf12 Hex, 2-95  
Fitting, Plstc, E90, Bm04/Pm02, 3-57  
Fitting, Plstc, E90, Bm05/Bm05, Nyl, 3-31  
Fitting, Plstc, E90, Bm06/Bm06, 3-5, 4-19  
Fitting, Plstc, E90, Bm06/Pm04, Nyl, 3-17  
Fitting, Plstc, E90, Bm06/Pm12, Nyl, 3-3  
Fitting, Plstc, E90, Bm08/Bm08, 2-97, 3-31  
Fitting, Plstc, E90, Bm08/Pf08s, Swivel, 3-59, 3-63  
Fitting, Plstc, E90, Bm08/Pm04, 3-31  
Fitting, Plstc, E90, Bm08/Pm06, 3-31, 3-63, 3-65  
Fitting, Plstc, E90, Bm08/Pm12, Nyl, 3-17, 3-31  
Fitting, Plstc, E90, Bm10/Pm12, 3-3, 3-17, 3-31  
Fitting, Plstc, E90, Bm12/Pf08, 3-73  
Fitting, Plstc, E90, Bm12/Pf12, 3-5  
Fitting, Plstc, E90, Bm12/Pm08, 3-3  
Fitting, Plstc, E90, Bm12/Pm12, 3-3, 3-5  
Fitting, Plstc, E90, Pf Bm [Es Pump], 4-3  
Fitting, Plstc, E90, Pf12/Pm12, 2-89  
Fitting, Plstc, Pf12/Pf12, Bh, 2-89, 3-3, 3-73  
Fitting, Plstc, Pipe, Cap, Pf04, 3-17, 4-19  
Fitting, Plstc, Str, Bm04, Cplg, Fem, 3-17  
Fitting, Plstc, Str, Bm04/Bm08, 3-31  
Fitting, Plstc, Str, Bm04/Pm04, 3-31  
Fitting, Plstc, Str, Bm05/Pm04, 3-31  
Fitting, Plstc, Str, Bm06/Bm08, 3-35, 3-39  
Fitting, Plstc, Str, Bm06/Pm04, 3-17, 4-19  
Fitting, Plstc, Str, Bm06/Pm06, 3-17  
Fitting, Plstc, Str, Bm08/Pm04, 3-59, 3-61  
Fitting, Plstc, Str, Bm10/Bm10, 2-95  
Fitting, Plstc, Str, Bm10/Bm12, 2-95  
Fitting, Plstc, Str, Bm10/Pm12, 2-95, 2-97  
Fitting, Plstc, Str, Bm12/Pm08, Nyl, 3-3, 4-3  
Fitting, Plstc, Str, Bm12/Pm12, 2-95  
Fitting, Plstc, Str, Pf06/Qm10, Pvc, 3-31  
Fitting, Plstc, Str, Pm02/Bm05, 4-19  
Fitting, Plstc, Str, Pm04, Cplg, Mal, 3-17  
Fitting, Plstc, Str, Pm04/Pm06, Nyl, 3-31  
Fitting, Plstc, Str, Pm08/Pm08, 3-3  
Fitting, Plstc, Str, Pm12/Pm12 1.60l, 3-3, 3-17, 3-31  
Fitting, Plstc, Tee, Bm04/Bm04/Bm04, 3-17  
Fitting, Plstc, Tee, Bm06/Pm02/Bm06, 4-19  
Fitting, Plstc, Tee, Bm08/Bm08/Bm08, 3-25, 3-39  
Fitting, Plstc, Tee, Bm08/Bm10/Bm10, Br, 3-19, 3-21, 3-33, 3-35, 3-59, 3-63  
Fitting, Plstc, Tee, Bm10/Bm10/Bm10, Nyl, 3-11  
Fitting, Plstc, Tee, Pf08/Pf08/Pf08, 3-3  
Fitting, Plstc, Tee, Pf12/Pf12/Pf12, 3-3, 3-17, 3-31  
Fitting, Plstc, Y, Bm08/Bm08/Bm08, Nyl, 3-17, 3-21, 3-25, 3-35, 3-39, 3-61, 3-65  
Fitting, Plug, Org, #6, Valve [Cec], 4-11, 4-13  
Fitting, Ss, Qdc, Fem, 3-71  
Fitting, Ss, Qdc, Mal, 3-71, 3-73  
Fitting, Stil, Qdc, Bm04, 3-55  
Fitting, Str, 10-10 Orb, 37fi [Mit], 5-21  
Fitting, Tee, Pf12/Pf12/Pf12, Brs, 3-73  
Flange Mounting, 4-8  
Flange, Motor, Hyd [En], 4-9  
Flange, Sprocket, Cshft, 5-11  
Flap, Battery, 2-13  
Flapper, Valve, Pump, Water, 4-3  
Flywheel, Flatface [Mit 20/24m], 5-18  
Frame Wldt, Hppr, 2-75  
Frame Wldt, Main, Replmt [M20 & T20], 2-7  
Frame Wldt, Sqge, Lh, 2-85  
Frame Wldt, Sqge, Rh, 2-81  
Fuelline, .31d Str/Str, Plstc, 2-43  
Fuelline, .31d Str/Str, Plstc [Mit 2013], 2-43  
Fuelline, .31d Str/Str, Plstc[M20/T20 07], 2-43  
Fuse, 015a, 2-47  
Fuse, 10 Amp, 2-144  
Fuse, 20 Amp, [Min-20], 2-144  
Fuse, 5 Amp, [Min-5], 2-144  
Fuse, Blade, 070a, 32vdc [Maxi], 2-144
- ### G
- Gasket, 5-5  
Gasket, .25 1.88d 1.0id [Poron], 4-3  
Gasket, 2.00, 10.0w 13.0l, Adh, 2-103  
Gasket, 3.23ld 3.63Od .16Th, Ure, 2-99  
Gasket, 4.05id 5.29od .19 [Buna], 4-3  
Gasket, Case, Front, 5-12  
Gasket, Cover, Fuse Block, 2-47  
Gasket, Cover, Rocker, 5-4, 5-5  
Gasket, Cylinder, Head, 5-5  
Gasket, Exhaust, 2hole, 3.4bc, 2-37  
Gasket, Lid, 2-99  
Gasket, Manifold, Exh [Mit], 5-16  
Gasket, Manifold, Exhaust, 5-16  
Gasket, Manifold, Intake, 5-15  
Gasket, Oil, Adapter [Mit 2.0/2.4], 5-21  
Gasket, Outlet, 5-22  
Gasket, Plug, Drain, Oil, 5-7  
Gasket, Pump, Water, 5-13  
Gasket, Screen, 5-7  
Gasket, Sender, Fuel, 2-43  
Gasket, Sqge, 1-1, 2-73  
Gasket, Tank, Recvy, 2-99  
Gasket, Throttle [Mit 40mm], 5-27, 5-28  
Gasket, Water Supply [Mit 2.0/2.4l], 5-23  
Gasspring, 180lb, 03.Ostrk, 2-15  
Gauge, Sensing, Level, 2-121  
Gear, Steering, 4-23  
Gearbox Kit, Steering, Afrmkt[M20/30/T20], 4-23  
Gearbox Kit, Steering, Afrmkt[M20/30/T20] (See Breakdowns), 2-17  
Geroler, Motor, Hyd, 4-5  
Gerotor Set, 4-8  
Gerotor Set [CI], 4-9  
Grill Wldt, Front, 2-19  
Grill, Eng, 2-21  
Grill, Side, 2-15  
Grip, Handle, 2-93, 2-101, 3-81  
Grip, Handle, .50d 4.0l Yel, 2-75  
Grip, Handle, 1.25D 1.50L Blk, 2-7  
Grommet, 0.38id, F/0.6h, .06 Matl, 3-57  
Grommet, Blind, 4-19  
Grommet, Pye, 0.37id, F/1.5h, .13 Matl, 3-5  
Grommet, Rbr, 0.38id, F/0.5H, .12 Matl, 3-51  
Grommet, Rbr, 0.50id, F/0.8h, .12 Matl, 3-46, 3-47  
Grommet, Rbr, 0.62id, F/0.9h, .06 Matl, 3-29  
Grommet, Rbr, 0.62id, F/0.9h, .12 Matl, 3-5  
Grommet, Rbr, 1.00id, F/1.4h, .12 Matl, 3-75  
Grommet, Rbr, 1.50id, F/1.8h, .19 Matl, 2-17  
Grommet, Rbr, 2.13id, F/2.5h, .12 Matl, 3-17, 3-31, 3-73  
Guard Kit, Sqge, Ci [T20], 3-69  
Guard Wldt, Brush, Side, 3-11  
Guard Wldt, Sqge, 3-69, 3-79  
Guard Wldt, Sqge [M20/T20/M30], 3-69, 3-79  
Guard Wldt, Sqge, Tie-Down, Side, Lh, 3-82  
Guard Wldt, Sqge, Tie-Down, Side, Rh, 3-82  
Guard Wldt, Switch, Float, 2-99  
Guard Wldt, Top, Ohg, 3-49  
Guard, Fan, Side, 2-35  
Guide, Rlr, 2-75
- ### H
- Handle Wldt, Drain, 2-101  
Handle Wldt, T, Hppr, 2-77  
Handle Wldt, Wand, 3-57  
Handle, Gun, Trigger, 3-71  
Handle, Valve, Pinch, Lh, 2-101  
Handle, Valve, Pinch, Rh, 2-93  
Hanger, Engine, 5-15  
Harness, Ele [Ech2o, Interface], 3-42

- Harness, Ele [Press. Wash], 3-71  
 Harness, Ele [Telem], 3-51  
 Harness, Ele, Adaptor [2f, Dt To Faston], 2-95, 2-97  
 Harness, Headlight [M20 And T20], 2-143  
 Harness, Jumper [Deutsch To Mpack], 4-11, 4-13  
 Harness, Main [T20], 2-142  
 Harness, Manifold, Gas, 2-43  
 Harness, Spray, Nozzle, 3-59, 3-63  
 Harness, Warning / Backup [M20 & T20], 3-43, 3-44, 3-45  
 Harness, Warning / Ohg [M20], 3-46, 3-47  
 Harness, Wire [Ec-H2o], 3-42  
 Harness, Wire [FaST Gen 2, M20/T20], 3-27  
 Harness, Wire, Eng, Gas [Mit, 2.0l], 2-144, 5-25  
 Harness, Wire, Eng, Lpg [Mit, 2.0l], 2-144, 5-25  
 Head Assy, Cylinder[Mits 2015 12mm], 5-5  
 Head Kit, Cyl [Mitsubishi 2015 12mm], 5-5  
 Head Wldt, Disk, Replmt, Jp (Japn Only), 2-67  
 Head Wldt, Disk, Std, Replmt, 2-67  
 Head Wldt, Swing, Lower, 14.0, 2-67  
 Head, Wand [17b/E], 3-57  
 Headlight, 12Vdc, Oval, Led, 2-7  
 Hinge Wldt, Shrd, Lh, 2-21  
 Hinge Wldt, Shrd, Rh, 2-15  
 Hinge, .38pin .11 3.5w 06.0l 6/0.38sl, 2-19  
 Hinge, .50pin .19 4.0w 06.0l 3/0.44sl, 2-83, 2-87  
 Horn, 12vdc, Dba [Wolo], 2-47  
 Hose Assy, Sgg, 2-99  
 Hose Assy, Upper, Tap [Mit], 5-29  
 Hose Assy, W/1cuff, 1.0d, 030l 1.25/, 2-77  
 Hose Assy, W/2cuff, 1.5d 90l 1.5/1.5, 3-53  
 Hose Assy, W/2cuff, 3.0d 14l 3.0/3.0, 2-73  
 Hose Assy, Wand, Power, 3-55  
 Hose Kit, Coolant, Replmt [Mitsubishi], 2-41  
 Hose, 90xstr,Filter, Oil, Remote[Mit], 5-21  
 Hose, Afmkt, Coolant Recvy, 05ft, 2-41  
 Hose, Afmkt, Pvc, Brd 0.38id 02ft, 3-5  
 Hose, Afmkt, Pvc, Brd 0.50id 03ft, 2-97  
 Hose, Afmkt, Pvc, Brd 0.62id 08ft, 2-97, 3-11  
 Hose, Afmkt, Pvc, Brd 0.62id, 01Ft, Clr, 3-5  
 Hose, Afmkt, Pvc, Brd 0.75id 01ft, 3-5  
 Hose, Afmkt, Pvc, Brd 0.75id 12ft, 3-3  
 Hose, Afmkt, PVC, Brd, 0.31ld, 03Ft, Clr, 3-31, 4-19  
 Hose, Afmkt, Pvc, Brd, 0.38id, 01ft, Clr, 4-19  
 Hose, Afmkt, Pvc, Brd, 0.38id, 02ft, Clr, 3-35, 3-39, 4-19  
 Hose, Afmkt, Pvc, Brd, 0.38id, 03ft, Clr, 3-17  
 Hose, Afmkt, Pvc, Brd, 0.50ld, 01Ft, Clr, 3-17, 3-31  
 Hose, Afmkt, Pvc, Brd, 0.50ld, 08Ft, Clr, 3-19, 3-21, 3-23, 3-25, 3-35, 3-37, 3-39  
 Hose, Afmkt, Pvc, Brd, 0.50id, 12ft, Clr, 3-31, 3-33, 3-59, 3-61, 3-63, 3-65  
 Hose, Afmkt, Pvc, Brd, 0.62id, 01ft, Clr, 2-95  
 Hose, Afmkt, Pvc, Brd, 0.62id, 03Ft, Clr, 3-21, 3-23, 3-35, 3-37  
 Hose, Afmkt, Pvc, Brd, 0.62id, 08ft, Clr, 2-95, 3-19, 3-33  
 Hose, Afmkt, Pvc, Clr, 0.25id, 02ft, 3-17  
 Hose, Afmkt, Pvc, Clr, 0.25id, 03ft, 3-31  
 Hose, Afmkt, Pvc, Clr, 0.38id, 01ft, 3-17  
 Hose, Afmkt, Pvc, Clr, 0.38id, 03ft, 3-17  
 Hose, Afmkt, Pvc, Clr, 0.50id, 08ft, 3-21, 3-25, 3-39  
 Hose, Afmkt, Pvc, Wir, 0.50id, 03ft, Clr, 3-17  
 Hose, Afmkt, Pvc, Wir, 0.75id, 08ft, Clr, 3-73  
 Hose, Afmkt, Rbr, Heater, 0.38id, 03ft, 2-27, 2-29  
 Hose, Afmkt, Vacuum, 0.16id, 01ft, 3-5  
 Hose, Coolant, Molded [Mit 20/24m], 5-29  
 Hose, Coolant, Upper, Mold [Mit 2013], 2-41  
 Hose, Drain, 3.00id X 48.0l, 2-93, 2-101  
 Hose, Drain, Oil [Mit 20/24m], 5-7  
 Hose, Drain,Overflow,Radiator[1pick=1ft], 2-31, 2-33  
 Hose, Fuel, 0.31id [Evap Emission 07], 2-43  
 Hose, Fuel, .38d, Rbr[16"L], 5-15  
 Hose, Fuel, 0.18id, 29.0l, 2-41  
 Hose, Fuel, 0.50id, 21.0l, 2-43  
 Hose, Fuel, Molded [Mit 20/24m], 5-29  
 Hose, Heater, E90, 0.62ld, 24.0 4.0, 3-21, 3-35, 3-39  
 Hose, Hyd, Med04, Jf04e90/Jf04str, 016.0, 2-111  
 Hose, Hyd, Med04, Jf04e90/Jf04str, 072.0, 3-75  
 Hose, Hyd, Med06, Jf06e90/Jf06str, 042.0, 2-109  
 Hose, Hyd, Med06, Jf06e90/Jf06str,038.0, 3-15  
 Hose, Hyd, Med06, Jf06str/Jf06str, 033.0, 2-109  
 Hose, Hyd, Med08, Jf08e45/Jf08str, 046.0, 2-113  
 Hose, Hyd, Med08, Jf08e90/Jf08str, 062.0, 2-109  
 Hose, Hyd, Med08, Jf08str /Jf08e45, 21.0, 2-109  
 Hose, Hyd, Med08, Jf08str/Jf08str, 027.0, 3-75  
 Hose, Hyd, Med10, Jf10str/Jf10str, 41.0, 2-109  
 Hose, Hyd, Med12, Jf12e90/Jf12str, 029.0, 2-109  
 Hose, Hyd, Med12, Jf12str/Jf12str, 066.0, 2-109  
 Hose, Hyd, Spcl, Jf10e90/Jf10str, 63.0, 2-107  
 Hose, Hyd, Spcl, Jf10str/Jf10str, 56.5, 2-107  
 Hose, Hyd, Suc20, Jf20e90/Jf20str, 032.0, 2-109  
 Hose, Hyd, Tc 06, Jf06str /Jf06e45, 56.0, 2-111, 2-113  
 Hose, Hyd, Tc04, Jf04e45/Jf04str, 044.0, 2-115  
 Hose, Hyd, Tc04, Jf04e45/Jf04str, 048.0, 2-115  
 Hose, Hyd, Tc04, Jf04E45/Qm06, 024.0, 2-115  
 Hose, Hyd, Tc04, Jf04e90/Jf04str, 020.0, 2-111  
 Hose, Hyd, Tc04, Jf04str /Jf04str, 20.0, 3-15  
 Hose, Hyd, Tc04, Jf04str /Jf04str, 39.0, 3-15  
 Hose, Hyd, Tc04, Jf04str/Jf04str, 036.0, 2-113  
 Hose, Hyd, Tc04, Jf04Str/Qm06, 028.0, 2-115  
 Hose, Hyd, Tc06, Jf04str/Jf04str, 033.0, 3-15  
 Hose, Hyd, Tc06, Jf06e45/Jf06str, 110.0, 2-107  
 Hose, Hyd, Tc06, Jf06e45/Jf06str, 45.0, 2-107  
 Hose, Hyd, Tc06, Jf06str /Jf06e90, 74.0, 3-15  
 Hose, Hyd, Tc06, Jf06str /Jf06str, 23.0, 3-15  
 Hose, Hyd, Tc06, Jf06str /Jf06str, 54.0, 2-113  
 Hose, Hyd, Tc06, Jf06Str/Jf06Str, 054.0, 2-111  
 Hose, Hyd, Tc08, Jf08E45/Jf08Str, 026.0, 2-109  
 Hose, Hyd, Tc08, Jf08e45/Jf08str, 052.0, 2-113  
 Hose, Hyd, Tc08, Jf08e90/Jf08str, 018.0, 2-111  
 Hose, Hyd, Tc08, Jf08e90/Jf08str, 020.0, 2-113  
 Hose, Hyd, Tc08, Jf08e90/Jf08str, 046.0, 2-109  
 Hose, Hyd, Tc08, Jf08e90/Jf08str, 084.0, 3-15  
 Hose, Hyd, Tc08, Jf08e90/Jf08str, 13.0, 2-111  
 Hose, Hyd, Tc08, Jf08str/Jf08e90, 012.0, 3-13  
 Hose, Hyd, Tc08, Jf08str/Jf08e90, 031.0, 2-109  
 Hose, Hyd, Tc08, Jf08Str/Jf08Str, 021.0, 2-109  
 Hose, Hyd, Tc08, Jf08str/Jf08str, 034.0, 3-15, 3-75  
 Hose, Hyd, Tc08, Jf08str/Jf08str, 040.0, 2-113

## CROSS REFERENCE

Hose, Hyd, Tc08, Jf08str/Jf08str, 052.0, 3-75  
Hose, Hyd, Tc08, Jf08str/Jf08str, 48.0, 2-111  
Hose, Hyd, Tc08, Jfoee90/Jf08str, 72, 3-75  
Hose, Hyd, Tc08, Jfoee90/Jf08str, 96, 2-107  
Hose, Hyd, Med04, Jf04str/Jf04str, 066.0, 2-107  
Hose, Hyd, Tc 04, Jf04str /Jf04e45 , 35.0, 2-115  
Hose, Intake, Mold [Epdm Mit 2013], 2-31, 2-33  
Hose, Intake, Mold, 2.00id [Epdm], 2-31, 2-33  
Hose, Intake, Mold, Gas [Epdm Mit 2013], 2-31  
Hose, Intake, Mold, Lpg [Epdm Mit2013], 2-33  
Hose, Lpg, Med05, Pm04str/Sm04str, 14.0l, 2-45  
Hose, Lpg, Med05, Pm04str/Sm04str, 55.0l, 2-45  
Hose, Pvc, Brd, 0.25id 0.44od 157.2l, Clr, 3-55  
Hose, Pvc, Clr, 0.38id 0.56od 48.00l, 3-3, 3-5  
Hose, Pvc, Clr, 0.38id 0.56od 022.0l, 2-41  
Hose, Pvc, Clr, 0.50id 0.69od 26.00l, 3-11  
Hose, Pvc, Clr, 0.50id 0.69od 30.00l, 2-47  
Hose, Pyu, 0.25id 0.38od 1220mml, Blk, 3-57  
Hose, Rbr, 25ft, 3-71  
Hose, Rbr, E90, 1.25id 1.25id 04.2 03.1, 2-41  
Hose, Vacuum, 1.50id X 10ft, Gray, 3-55  
Hose, Water, Coil, 0.38id 0.56od, 3-63, 3-65  
Housing, 4-7  
Housing Kit, Pump, Water, 4-3  
Housing Wldt, Brush, Drive, 2-59, 2-61  
Housing, Bottom, 4-19  
Housing, Brg, Motor, Hyd, 4-5  
Housing, Cplg, Qf / Pm08, 3-31  
Housing, Fan, Radial Discharge, Sq Inlet, 2-103  
Housing, Flywheel [Mit 2.0l], 5-18  
Housing, Gear, Bottom, 4-23  
Housing, Gear, Top, 4-23  
Housing, Motor, Hyd [En], 4-9  
Housing, Sppt, Front Wheel, 2-49  
Housing, T-Stat, 2 Holes [Mit], 5-22  
Housing, Thermostat, 5-22  
Housing, Valve, 4-5  
Housingl, 4-8  
Hsg & Switch Kit, Pump, Repair., 4-17  
Hub Assy, Wheel, 5 Bolt 4.50bc Taper B, 2-49  
Hub, Drive, Brush, Disk, 1.00b [6t], 2-67, 3-7

## I

Idler Door Kit, Replmt [M20/T20/M30/T12], 2-59, 2-61  
Impeller, 11.81d X 0.500b, 2-103  
Indicator, Press, 60psi, 2-121  
Insert, :Lrg [Venturi, FaST III], 4-24  
Insert, Cap, Mount, Es Pump, 4-3  
Insert, Cplg, Qm, Bm08, 3-31  
Insert, Plt, Cam, Pump, Hyd, 4-7  
Instr, Maint, Wall Chart [T20], 3-83  
Instr, Motor, Hyd, Repair [En], 4-9  
Instr, Repair, Motor, Hyd, Gear, 4-5  
Instr, Repair, Pump, 4-7  
Instr, Valve, Steering, Repair, 4-15  
Instr. Repair Info, Motor, 4-8  
Insulation, Flame-Retardant, 0.5, 2-43  
Insulation, Flame-Retardant, 0.75-0.88, 2-11, 2-15  
Insulation, Flame-Retardant, 1.0, 2-15  
Insulation, Thermal, Hydraulic Blanket, 2-121  
Isolator, 5-25, 5-29  
Isolator, Box, Relay, 2-27, 2-29  
Isolator, Rbr, 2-37  
Isolator, Vib, .50d, 2-23, 2-25  
Isolator, Vib, Bshg, 1.1d 0.6l .4b 0.78h, 2-39, 2-103

## K

Key, 5-10  
Key-Wdruff 0.25 1.00, 4-8  
Key, Ignition [Set of 2], 1-1, 2-13  
Key, Motor, Hyd, 4-5  
Key, Shaft, Pump, Hyd, 4-7  
Key, Sq, 0.12 X 0.12, 0.50l, 2-35  
Key, Sq, 0.19 X 0.19, 0.50l, 4-23  
Key, Sq, 0.25 X 0.25, 1.25l, 2-59, 2-61  
Key, Woodruff, 0.25 1.00 [Asa#0808], 4-9  
Keychain, Rectangle, Parts & Service, 2-13  
Kit, Bellows, Pump, Detgt, 4-16  
Kit, Brush, Motor, Ele, 4-3  
Kit, Valve, Check, Pump, Water, 4-3  
Knob Assy, Star, 1.12d 3ear M10, Yellow, 2-79  
Knob, Rnd, 1.04d 1.18l .25-20 Yel Plstc, 2-75  
Knob, Star, 2.75d 4ear, M8x1.25 Fem, 2-73  
Knob, Tee, 0.38-16, 2.5 X 1.0 1.1l, Plstc, 2-17  
Knobs, Adjmt, Weight, 4-21

## L

Label [User, Attention, ec-H2O], 2-146  
Label Set, Brush Indicator & Removal, 2-146  
Label Set, Hi Temp, 2-146  
Label Set, Info/Hzrd, Swpr / Scrbr, 2-146

Label Set, Info/Hzrd, Swpr / Scrbr, Tj (Japan Only), 2-146  
Label, Caution [Apply Parking Brake], 2-146  
Label, Caution [Apply Parking Brake] (Japan Only), 2-146  
Label, Instrument Panel, Rh, [Drago], 2-13  
Label, Logo, 05.75L 2Color [ES], 2-146  
Label, Logo, 07.95L 2Color [FaST], 2-146  
Label, Logo, 12.3L 4Color [ec-H2O], 2-146  
Label, Logo, 16.9L 4Color [ec-H2O], 2-146  
Label, Model, 2Color [T20], 2-146  
Label, Opertnl, Telem [Fcc/lc], 3-51  
Label, Switch, Rocker [Drago] [T20], 2-13  
Latch, 2-15, 2-75, 2-89, 2-90, 3-81  
Latch Assy, Mtg, Tank, Lpg, W/Nut, 2-45  
Latch Kit, Cover, Soltn, Replmt[M20/T20], 2-89, 2-90  
Latch Kit, Disk, Replmt [T20], 2-67  
Latch Wldt, Head, Disk, 2-67  
Latch, Cmpr, Yel Grip, 2-59, 2-61  
Latch, Door, Yellow, 2-21, 2-81, 2-85  
Latch, Hook, Yellow, 2-83, 2-87  
Latch, Yellow, 3-67  
Lever, Latch, 3-81  
Light Kit, Fish, Ci [M20 And T20], 3-44  
Light Kit, Flsh, W/Ohg, Ci[M20 And T20], 3-46  
Light Kit, Strobe, Ci [M20 And T20], 3-45  
Light Kit, Strobe, W/Ohg, Ci [M20 And T20], 3-47  
Light, Strobe, Amb, 12-48vdc [Led], 3-44, 3-45, 3-46, 3-47  
Light, Tail, 12vdc, 2-7  
Link Assy, Rod-End, M12, 2-71  
Link, .25 1.4w 3.2l 2/5h, 3-69, 3-79  
Lip Kit, Debris, Replmt [T20], 2-75  
Lock-Off, 12v, Lpg [Mit], 5-29  
Lock, Secondary, 2cav, Mp280 Sealed, 4-17  
Loom, Convolved, Split 5/8 [Mit], 5-15

## M

Magnet, Drive Brush, 2-45  
Maint Kit, 800hr [M20/T20/M30 Lpg 2010], 1-1  
Maint Kit, Gas, 800hr[M20/T20], 1-1  
Manifold Assy, Cntrl, Soltn, 2-97  
Manifold, Bar, Spray, 37.5inch, 2-95  
Manifold, Exhaust [Mit 2.0/2.4l], 5-16  
Manifold, Fuel [2.4l Mit], 5-26  
Manifold, Gas, Relief, Valve, 2-43  
Manifold, Intake [Mit 20/24m Tilt], 5-15  
Manifold, Water, 3-31  
Manual, Cd-Rom, Engine [Mit 2.0l], 3-83  
Manual, Oprtr, [T20 G, En, Na Sn 8000-], 3-83  
Manual, Oprtr, [T20 G, Es, Na Sn 8000-], 3-83  
Manual, Oprtr, [T20 G, Fr, Na, Sn 8000-], 3-83



Manual, Oprtr, [T20 G/Lp, Ptb, Sn 8000-], 3-83  
 Manual, Oprtr, [T20 G/Lpg, Cn, Sn 8000-], 3-83  
 Manual, Oprtr, [T20 G/Lpg, Jp, Sn 8000-], 3-83  
 Manual, Parts, [T20 Gas/Lpg Na Sn 8000-], 3-83  
 Manual, Service, [T20 G/Lp/D, Sn 8000-], 3-83  
 Mat, Floor, 2-9  
 Media, Cd-Rom, Training [Ec-H2o Tennant], 3-83  
 Mirror, Convex, 0.50D, 3-49  
 Mixer , Lpg, 5-30  
 Module Kit, Replmt [Ec-H2O], 4-19  
 Module Kit, Replmt [Ec-H2O] (See Breakdowns), 3-29  
 Module, Ecu, Gas [Mit 2.0l 2013], 5-25  
 Module, Ecu, Lpg [Mit 2.0l 2013], 5-25  
 Molding, Afmkt, Trim, Pvc, .08 .11, 01Ft, 3-29  
 Molding, Afmkt, Trim, Pvc, .08 .11, 1ft, 2-9  
 Molding, Trim, Pvc, .08-.11 06.8l, 2-39  
 Molding, Trim, Pvc, .08-.11 13.2l, 2-43  
 Motor Kit, Pump, Repair,, 4-17  
 Motor Kit, Replmt [M20/T20/M30], 2-103  
 Motor, Ele, 12vdc, Pump, Water, 4-3  
 Motor, Ele, Gear, 14vdc, Pump, Detgt, 4-16  
 Motor, Hyd Gear In 4.5 B 1500, 4-8  
 Motor, Hyd, Gear, [Int], 19.0 X 3000, 4-5  
 Motor, Hyd, Gear, Ext 0.17 Lh 3000, 2-103  
 Motor, Hyd, Gear, Int 04.5 Bi-Dir 1500, 2-59, 2-61  
 Motor, Hyd, Gear, Int 08.9 Bi-Dir 2500, 3-7, 4-9  
 Motor, Hyd, Gear, Int 09.7 Bi-Dir 2500, 2-67  
 Motor, Hyd, Gear, Int 19.0 Bi-Dir 3000 (See Breakdowns), 2-49  
 Mount Wldt, Valve, Pinch, Lh, 2-101  
 Mount Wldt, Valve, Pinch, Rh, 2-93  
 Mount, Cable Tie, 3-51  
 Mount, Filtr, Remote, 5-21  
 Muffler, Catalytic [Mit 2.0l 2013], 2-37

**N**

Nameplate, Tennant, Domed, 10 Inch, 2-19  
 Nozzle, 3-63, 3-65  
 Nozzle Assy, Tool, Wand, 14.0 Inch, 3-53  
 Nozzle kit, Spray, Ci [T20], 3-63  
 Nozzle Kit, Spray, W/Pwr Wand, Ci [T20], 3-65  
 Nozzle, Spray [Pressure Washer], 3-71  
 Nozzle, Spray, Gun, 3-63, 3-65  
 Nut, 5-9, 5-10  
 Nut [2.4l Mit], 5-16  
 Nut-Hxslot .75-16 Pltd, 4-8  
 Nut, Adj, Mtg, Tank, Lpg, 2-45  
 Nut, Coil, F/#8, 4-11, 4-13

Nut, Coil, Nyl Patch, 4-11  
 Nut, Flange, 5-13  
 Nut, Fing, M05-0.8, 5-30  
 Nut, Fing, M8, 5-15, 5-19, 5-21, 5-22  
 Nut, Hex, Fing, M6 X 1.00, 2-35, 2-39, 3-51  
 Nut, Hex, Jam, .31-24, 2-53  
 Nut, Hex, Jam, .50-13, 3-81  
 Nut, Hex, Jam, .50-20, 2-63, 3-9  
 Nut, Hex, Jam, .50-20, Lh, 2-63  
 Nut, Hex, Jam, 1.12-12, 2-17  
 Nut, Hex, Jam, M10 X 1.5, Ss, 2-45  
 Nut, Hex, Lock, .25-20, Ni, 2-43, 2-57  
 Nut, Hex, Lock, .25-20, Ni, Ss, 2-55  
 Nut, Hex, Lock, .31-18, Ni, 2-15  
 Nut, Hex, Lock, .31-18, Ni, Thin, 2-15  
 Nut, Hex, Lock, .38-16, Ni, Ss, 2-45, 3-9  
 Nut, Hex, Lock, .38-16, Ni, Thin, 2-45, 2-57  
 Nut, Hex, Lock, .50-13, Ni, Thin, 2-63  
 Nut, Hex, Lock, .50-20, Ni, Thin, 2-63  
 Nut, Hex, Lock, #08-32, Ni, 2-13  
 Nut, Hex, Lock, M10 X 1.5, Ni, 2-39, 2-45, 2-119, 3-49, 3-69, 3-79  
 Nut, Hex, Lock, M10 X 1.5, Ni, Ss, 2-79  
 Nut, Hex, Lock, M10 X 1.5, Ni, Ss (Disk Scrub Head), 2-7  
 Nut, Hex, Lock, M12 X 1.75, Ni, Ss, 2-63, 2-69, 2-71, 2-75  
 Nut, Hex, Lock, M12 X 1.75, Ni, 2-23, 2-25, 2-51  
 Nut, Hex, Lock, M4 X 0.7, Ni, 2-15, 2-21  
 Nut, Hex, Lock, M4 X 0.7, Ni, Ss, 2-21, 2-57, 2-81, 2-85, 3-3  
 Nut, Hex, Lock, M4 X 0.70, Ni, Ss, 3-29  
 Nut, Hex, Lock, M5 X 0.8, Ni, 2-15, 2-47  
 Nut, Hex, Lock, M5 X 0.8, Ni, Ss, 2-95, 3-11  
 Nut, Hex, Lock, M5 X 0.80, Ni, 3-29, 3-51, 3-59, 3-63, 3-73  
 Nut, Hex, Lock, M5 X 0.80, Ni, Ss, 2-53, 3-21, 3-25, 3-35, 3-39, 3-43, 3-44, 3-45, 3-46, 3-47, 3-67  
 Nut, Hex, Lock, M6 X 1.0, Ni, 2-15, 2-19, 2-53  
 Nut, Hex, Lock, M6 X 1.0, Ss, Ni, 2-95, 2-101  
 Nut, Hex, Lock, M6 X 1.00, Ni, 2-9, 2-17, 2-31, 2-33, 2-35, 2-39, 2-43, 3-81  
 Nut, Hex, Lock, M6 X 1.00, Ni, Ss, 3-75  
 Nut, Hex, Lock, M6 X 1.00, Ss, Ni, 2-65, 2-67, 2-69, 2-71, 2-75, 2-77, 2-97, 2-99, 3-3, 3-59, 3-61  
 Nut, Hex, Lock, M8 X 1.25, Ni, 2-7, 2-31, 2-33, 2-35, 2-41, 2-43, 2-45, 2-47, 2-53, 2-57, 2-83, 2-87, 3-13  
 Nut, Hex, Lock, M8 X 1.25, Ni, Ss, 2-37, 2-63, 2-67, 2-71, 2-73, 2-75, 2-77, 2-79, 2-81, 2-85, 2-89, 2-93, 2-101, 2-103, 3-13  
 Nut, Hex, M10 X 1.50 [Stover], 2-37  
 Nut, Hex, Slted, .75-16, 2-51, 2-61  
 Nut, Hex, Slted, .75-18, 2-59

Nut, Hex, Slted, 1.12-18, 2-49  
 Nut, Hex, Slted, M20 X 2.5, 8, 2-59, 2-61  
 Nut, Hex, Std, .25-20, 2-27, 2-29  
 Nut, Hex, Std, .25-28, 2-53, 2-55  
 Nut, Hex, Std, .25-28, Lh, 2-53  
 Nut, Hex, Std, .31-18, 3-49  
 Nut, Hex, Std, .38-16, 2-37  
 Nut, Hex, Std, M12 X 1.75, Ss, 2-83, 2-87, 2-103  
 Nut, Hex, Std, M16 X 2.0, 2-19  
 Nut, Hex, Std, M5 X 0.8, 8, 2-57  
 Nut, Hex, Std, M6 X 1.00, 8, 3-29  
 Nut, Hex, Std, M8 X 1.25, 2-9  
 Nut, Hex, Std, M8 X 1.25, Ss, 2-57, 2-69, 2-83, 2-87  
 Nut, Hex, Stover, M8, 2-37  
 Nut, Isolator, .38-16 Wall Th .015-.437, 3-59, 3-61  
 Nut, M10-1.25 Flg [Mit], 5-18  
 Nut, M10-1.25, Hx Flg [Mit], 5-25  
 Nut, M6-1.0 Flange [Mit], 5-25, 5-29  
 Nut, M8-1.25 [Mit], 5-15  
 Nut, Motor, Hyd, 4-5  
 Nut, Solenoid, 4-11, 4-13  
 Nut, Strainer, 5-7  
 Nut, T, M10 X 1.50 X 15.80d X 13.0l, 2-81, 2-85  
 Nut, Thumb, M6 X 1.0, 30d, 3-57  
 Nut, Wheel, .50-20 X 60 Angle, 2-49

**O**

O-Ring, 5-3, 5-5, 5-12  
 O-Ring [Mit 208 Buna-N], 5-22, 5-23  
 Ohg Kit, Ci [M20 And T20], 3-49  
 Oil, Hyd [El, Iso 100, 01gal], 1-1  
 Oil, Hyd [El, Iso 100, 05gal], 1-1  
 Oil, Hyd [El, Iso 32, 01gal], 1-1  
 Oil, Hyd [El, Iso 32, 05gal], 1-1  
 Oil, Hyd [El, Iso 68, 01gal], 1-1  
 Oil, Hyd [El, Iso 68, 05gal], 1-1  
 Outlet, Water, W/Plug [Mit 2.0/2.4l], 5-22

**P**

Pad, Armrest, 4-21  
 Pad, Buff, 14.0d, Red, 2-4  
 Pad, High Productivity Stripping, 14.0d, Blk, 2-4  
 Pad, Pedal, Brake, 3.96l 2.36w 0.75, 2-53  
 Pad, Polish, 14.0d, White [1pad=1pc], 2-4  
 Pad, Scb, 14.0d, Blu [1pad=1pc], 2-4  
 Pad, Stripping, 14.0d, Brown [1pad=1pc], 2-4  
 Pad, Surf Prep, 14.0D Maroon, [1PICK=1PAD], 2-4  
 Pad, Tank, Hyd [W/Psa], 2-121  
 Paint, Airdry, Blk, 12oz, 1-1  
 Paint, Airdry, Gray, 12oz [Enamel], 1-1  
 Paint, Airdry, Iron Gray, 12oz [Pwdr Coat], 1-1  
 Paint, Airdry, Off-White, 12oz, 1-1

## CROSS REFERENCE

- Paint, Airdry, Teal, 12oz, Solid, 1-1  
Pan, Oil, 5-7  
Panel Assy, Instmt, W/ Label, Afmkt, 2-13  
Panel Kit, Pod, Afmkt [Pro, M20/M30/T20]  
(Pro-Panel Only), 2-17  
Panel Kit, Pod, Afmkt [Std, T20], 2-17  
Panel Wldt, Adj [2007], 2-9  
Panel Wldt, Filler, 2-7  
Panel Wldt, Gas, Replmt, 2-9  
Panel Wldt, Gas, Replmt [W/Fast], 2-9  
Panel Wldt, Gas, Replmt, TJ (Japan only),  
2-9  
Panel Wldt, Gas, Replmt, TJ [W/Fast]  
(Japan only), 2-9  
Panel Wldt, Gas, Replmt, TJ, W/Es (Japan  
only), 2-9  
Panel Wldt, Gas, W/ Es, Replmt, 2-9  
Panel Wldt, LPG, Replmt, 2-9  
Panel Wldt, LPG, Replmt [W/Fast], 2-9  
Panel Wldt, LPG, Replmt, TJ (Japan only),  
2-9  
Panel Wldt, LPG, Replmt, TJ [W/Fast]  
(Japan only), 2-9  
Panel Wldt, LPG, Replmt, TJ, W/Es  
(Japan only), 2-9  
Panel Wldt, LPG, Replmt, W/Es, 2-9  
Panel, Access, Debris Tray, 2-77  
Panel, Access, Door, 2-9  
Panel, Access, Floor, 2-9  
Pawl, Str, 2-59, 2-61  
Pedal, Brake, Lock, 2-53  
Pedal, Propel, 2-55  
Pin Wldt, 3-9  
Pin Wldt, Front, 2-73, 3-7  
Pin, 0.63d 01.8l, 1/M10h, 2cham, 2-79  
Pin, 30mmd X 215mml, 2-7, 3-11  
Pin, Clevis, 0.19d X 0.63l, 2-71  
Pin, Clevis, 0.25d X 0.75l, 2-53  
Pin, Clevis, 0.25d X 2.44l, 2-71  
Pin, Clevis, 0.31d X 1.00l, 2-53  
Pin, Clevis, 0.37d X 1.31l, 3-9  
Pin, Clevis, 0.37d X 1.50l, 3-9  
Pin, Clevis, 0.37d X 1.75l, 2-63, 2-69,  
2-83, 2-87, 3-9  
Pin, Clevis, 0.37d X 2.00l, 2-71  
Pin, Clevis, 0.50 D X 4.50l, 2-55  
Pin, Clevis, 0.50d X 2.50l, 2-71  
Pin, Clevis, 0.62d X 2.12l, 2-69  
Pin, Clevis, 0.75d X 2.00l, 2-63, 2-69  
Pin, Cotter, .062 X 0.50, 2-53  
Pin, Cotter, .062 X 0.75, 2-71  
Pin, Cotter, .094 X 1.00, 2-53, 2-69, 2-71,  
3-9  
Pin, Cotter, .094X0.75, 2-71  
Pin, Cotter, .125 X 1.00, 2-55, 2-83, 2-87  
Pin, Cotter, .125 X 1.25, 2-59, 2-61, 2-69  
Pin, Cotter, .125 X 2.00, 2-49  
Pin, Cotter, .156 X 1.25, 2-63  
Pin, Cotter, .156 X 2.00, 2-51  
Pin, Cotter, Hair, 0.31d .058 Wir, 2-15  
Pin, Cotter, Hair, 0.38d .072 Wir, 2-63,  
2-69, 2-71  
Pin, Cotter, Hair, 1.00d .178 Wir, 2-7, 3-11  
Pin, Dowel, 5-3, 5-9, 5-10, 5-12  
Pin, Dowel, 0.2502d X 1.00l, 4-23  
Pin, Dowel, Pump, Hyd, 4-7  
Pin, Flywheel [Mit 20/20m], 5-18  
Pin, Grvd, 0.43d 01.8l [303ss], 2-73, 3-7  
Pin, Hitch, .375d X 3.12l, Pl, 3-7, 3-69,  
3-79  
Pin, Lift, Drain, 2-101  
Pin, Locating, Lpg, 2-45  
Pin, Locking, Steering, Tilt, 2-17  
Pin, Roll, .187d X 1.62l, .187/.192, 2-7,  
3-11  
Pin, Spring, 5-9  
Pin, Valve, Steering, 4-15  
Pipe Kit, Exhaust, Replmt [Mako Mitsu],  
2-37  
Piston Kit, 4-25  
Piston Set, Ring, 5-10  
Piston, Pin [Std A], 5-10  
Piston, Pin [Std B], 5-10  
Piston, Pin [Std C], 5-10  
Piston, Pump, Hyd, Gear, 4-5  
Pivot Wldt, Brush, Side, 3-9  
Plate Assy, Orifice, 0.0105ld, Green, 4-24  
Plate Wldt, Hose, Vacuum, 2-103  
Plate Wldt, Mtg, 3-29  
Plate Wldt, Mtg, Fan, 2-103  
Plate Wldt, Retainer, Sqge, 3-7  
Plate Wldt, Seat, 2-15  
Plate Wldt, Shaft, Fan [Shaft Extended],  
2-35  
Plate Wldt, Wrap, Brush, 2-63  
Plate, Backing, Brake, 2-51  
Plate, Bmpr, Lh, 3-76  
Plate, Bmpr, Rh, 3-76  
Plate, Cam, 4-7  
Plate, Cover, 4-7  
Plate, Door, Clean-Out [Mit2013], 2-39  
Plate, Hook, Latch, 3-67  
Plate, Inspection, 3-29  
Plate, Instrument, Rh [Drago], 2-13  
Plate, Label, Soltn Tank (ec-H20 only),  
2-90  
Plate, Mtg [Epr], 5-29  
Plate, Mtg, Ecu [Mit 2.0/2.4l], 5-25  
Plate, Mtg, Latch, 2-89, 2-90  
Plate, Mtg, Light, Hp Spray (Flashing or  
Strobe Light Option Only), 3-73  
Plate, Mtg, Prop Rod, 2-99  
Plate, Mtg, Pump, 3-29, 3-73  
Plate, Mtg, Vacuum Tube, 2-77  
Plate, Mtg, Valve, 3-21, 3-25, 3-35, 3-39  
Plate, Rnd, 2-103  
Plate, Seal, Sound, 2-21  
Plate, Shield, Dust, 2-35  
Plate, Shim, Guard, Sqge, Tie-Down, 3-82  
Plate, Skirt, Front, 2-65  
Plate, Spacer, Motor, Hyd [En], 4-9  
Plate, Sppt, 2-53, 2-71  
Plate, Tensioner, Adj [Mit 2.0/2.4l], 5-17  
Plate, Valve, Motor, Hyd, 4-5  
Plate, Valve, Pump, Hyd, 4-7  
Plate, Water, Outlet [Mit Bypass], 5-23  
Plate, Wear, Steering Valve, 4-15  
Plate, Wldt, Mtg, Housing, 2-17  
Plug, 4-5, 5-3  
Plug #10, 4-8  
Plug #4, 4-8  
Plug Assy [CI], 4-15  
Plug Kit, Drain, Recvy, Ci [M20 & T20],  
2-101  
Plug Wldt, Drive, Brush, 2-59, 2-61  
Plug Wldt, Drive, Brush, Sweep, 2-59, 2-61  
Plug, 1/8 Npt, Brs, Skt Hd [Mit], 5-15  
Plug, 1/8npt, Brs [Mit], 5-30  
Plug, 3/8npt X 5/16, Brs [Mit], 5-21  
Plug, Cap, 5-12  
Plug, Drain, Expandable, 4.75-6.00, 2-101  
Plug, Flare, 37deg [Mit], 5-7  
Plug, Hole, Rnd, 0.38 H 1.0l, Brb, Nyl,  
2-89, 2-90  
Plug, Hole, Rnd, 0.38h .4-.7, Blk Nyl, 2-7  
Plug, Hole, Rnd, 0.50h .03-.12, Blk Nyl,  
2-13  
Plug, Hole, Rnd, 0.81h, Blk, 2-9  
Plug, Hole, Rnd, 0.88h .03-.12, Blk Nyl,  
2-9  
Plug, Hole, Rnd, 1.00h .03-.12, Blk Nyl,  
2-9  
Plug, Hole, Rnd, 1.25H .03-.12, Blk Nyl,  
2-15  
Plug, Hole, Rnd, 2.50h .03-.25, Blk Nyl,  
2-9  
Plug, Hole, Rt, Rocker Switch, .87 X 1.7,  
2-13  
Plug, Hole, Soltn Tank, Blk Pyu, 2-89  
Plug, Hose, Pyu, 2-93, 2-101  
Plug, Injector [Mit], 5-15  
Plug, Oil, Drain, 5-7  
Plug, Orifice, 0.060, Ss [FaST li+], 4-24  
Plug, Orifice, Valve, Hyd, .040, 4-11  
Plug, Orifice, Valve, Hyd, .046, 4-13  
Plug, Orifice, Valve, Hyd, .063, 4-13  
Plug, Pump, Hyd, Gear, 4-5  
Plug, Restrictor, 3-35  
Plug, Rsestricor, 3-39  
Plug, Rubber, 5-7  
Plug, Spark, 1-1  
Plug, Spark [Mitsubishi 2015 12mm], 5-5,  
5-19  
Plug, Taper, 5-3  
Plug, Tapper, 5-12  
Poppet, Pump, Hyd, Gear, 4-5  
Pouch, 3-31  
Pouch (OPTION), 2-15  
Pulley Assy, Damper, Torsional, 5-10  
Pulley, Idler, 5-9  
Pulley, Pump, Water, 5-13  
Pulley, Tensioner, 5-9  
Pulley, Tensioner, Assy[Mit2.0/2.4l], 5-17  
Pump Assy, Column, Es, 4-3  
Pump Assy, Column, Es (See  
Breakdowns), 3-5  
Pump Kit, Hyd, Rotating [Cessna], 4-7  
Pump Kit, Mtg, Aux, Ci [M20 & T20], 2-117  
Pump, Diaphragm, 4-17

Pump, Detgt, 14vdc, 150ml/Min 20psi, 4-16  
 Pump, Detgt, 14vdc, 150ml/Min 20psi (See Breakdowns), 3-3  
 Pump, Diaphragm, 3-59, 3-63, 3-73  
 Pump, Fuel, 2-43  
 Pump, Gear, Drive, Oil, 5-12  
 Pump, Gear, Oil, 5-12  
 Pump, Hyd, Piston, Var, 1.24 4000, Cw, 4-7  
 Pump, Hyd, Piston, Var, 1.24 4000, Cw (See Breakdowns), 2-117  
 Pump, Hyd, Press Washer, 3-73, 4-25  
 Pump, Oil, 5-12  
 Pump, Soltn, 13.7vdc, 65psi [FaST li+], 3-17  
 Pump, Soltn, Ele, 13.7vdc, 12/28psi, 3-29  
 Pump, Water, 5-13

**R**

Race Thrust, 4-8  
 Race, Brg, Pump, Hyd, 4-7  
 Radiator, W/ Hyd Cooler [Afmkt], 2-39  
 Regulator, 5-29  
 Regulator, Press, Electronic [Epr], 5-30  
 Relay, 12vdc, 20a, Spdt, 2-144  
 Relay, 12vdc, 40a, Spdt, 2-144  
 Relay, 12vdc, 40a, Spdt N/O, 2-47  
 Relay, 12vdc, 040a, Spdt No, 3-17, 3-29, 3-59, 3-63, 3-71  
 Repair Kit, Mixer, 5-30  
 Repair Kit, Vaporizer, 5-29  
 Reservoir, Hyd, 10.0Gal, Replmt, 2-121  
 Resistor, Ele, Plug [430, 2w], 3-42  
 Retainer, Motor, Hyd, 4-5  
 Retainer, Ring, Brake, 2-51  
 Retainer, Skirt, 2-65  
 Retainer, Skirt, Disk Head, 2-69  
 Retainer, Sqge, Side, Lh, 2-85  
 Retainer, Sqge, Side, Rh, 2-81  
 Retainer, Sqge, Wand [17b/E], 3-57  
 Ring Kit, Sppt, 4-25  
 Ring, Lock, 4-7  
 Ring, Motor, Hyd, 4-5  
 Ring, Mtg, Sqge, .50l, 2-73  
 Ring, Retainer, Steering Valve, 4-15  
 Ring, Retaining, 4-7, 5-17  
 Ring, Retaining, Ext, 0.38d, [E-Ring], 2-73, 2-79, 3-7  
 Ring, Retaining, Ext, 0.50d, Hd, 2-17  
 Ring, Retaining, Ext, 0.62d, Hd, 2-79  
 Ring, Retaining, Ext, 0.98d, [E-Ring], 2-53  
 Ring, Retaining, Ext, 1.00d, Basic, 2-59, 2-61  
 Ring, Retaining, Ext, 1.25d, 4-23  
 Ring, Retaining, Int, 42mm, 2-35  
 Ring, Retaining, Pump, Hyd, 4-7  
 Rivet, Blind [S2500 Drvblock], 3-57  
 Rivet, Blind, .125d X 0.54 X .25d, Alm, 2-89, 2-90  
 Rivet, Plstc, .250 X 0.898, 3-53

Rivet, Plstc, .250d X 0.90, 3-31, 3-59, 3-61, 3-71  
 Rod, 2-53  
 Rod Assy, Connecting, 5-10  
 Rod-End, .25-28rh Fem 0.25b [Teflon], 2-55  
 Rod-End, .50-20lh Fem 0.50-20stud, 2-63  
 Rod-End, .50-20rh Fem 0.50b, 2-63  
 Rod-End, .50-20rh Mal 0.50b, 3-9  
 Rod, Hanger, Isolator, 2-37  
 Rod, Latch, 2-75  
 Rod, Thrd, 2 End, .50-20 04.9l, Rh / Lh, 2-63  
 Roller, Brg, 2-93, 2-101

**S**

Screen, Oil, 5-7  
 Screen, Pump, 3-5  
 Screen, Recovery, Yellow, 2-99  
 Screw, 4-8, 5-5, 5-12  
 Screw, Btn, M8 X 1.25 X 20, Blk, 2-81, 2-85, 3-67  
 Screw, Btn, M8 X 1.25 X 25, Ss, 2-63  
 Screw, Btn, M8 X 1.25 X 40, Ss, 2-77  
 Screw, Cap, 4-7  
 Screw, Cap, Motor, Hyd, 4-5  
 Screw, Flt, M10 X 1.5 X 25, 10.9, 2-81, 2-85  
 Screw, Flt, M8 X 1.25 X 30, Ss, 2-93, 2-101  
 Screw, Hex, .25-10 X 0.75, Fmg/a, Ss, 2-99  
 Screw, Hex, .25-20 X 0.50, G5, 2-27, 2-29  
 Screw, Hex, .25-20 X 1.00, 5, 3-7  
 Screw, Hex, .25-20 X 1.00, G5, 2-67, 3-81  
 Screw, Hex, .25-20 X 1.75, Ss, 2-55  
 Screw, Hex, .25-20 X 2.25, Ss, 2-55  
 Screw, Hex, .31-24 X 0.75, NI, 2-57  
 Screw, Hex, .38-16 X 0.75, NI, 2-59, 2-61, 3-7  
 Screw, Hex, .38-16 X 0.88, G5, 3-69, 3-79  
 Screw, Hex, .38-16 X 1.00, G5, 2-67  
 Screw, Hex, .38-16 X 1.25, G5, 3-59, 3-61  
 Screw, Hex, .38-16 X 1.25, NI, 2-57  
 Screw, Hex, .38-16 X 1.50, Ss, 3-9  
 Screw, Hex, .38-16 X 2.25, G5, 2-57  
 Screw, Hex, .38-16 X 3.00, 5, 2-45  
 Screw, Hex, .38-16 X 3.75, 5, 2-45  
 Screw, Hex, .50-13 X 1.50, 5, 2-63  
 Screw, Hex, .50-13 X 3.50, G5, 3-81  
 Screw, Hex, .75-10 X 3.25, G5, 2-49  
 Screw, Hex, #10-16 X 0.62, Fmg [Ab], 3-63, 3-65  
 Screw, Hex, 10-16 X 0.62, Fmg/Ab, Pl, 3-71  
 Screw, Hex, H6 X 1.00 X 20, 9.8, Sems, 3-51  
 Screw, Hex, M10 X 1.25 X 25, 8.8, 2-23, 2-25  
 Screw, Hex, M10 X 1.5 X 25, 8.8, 2-9

Screw, Hex, M10 X 1.5 X 25, Ss, 2-63, 2-83, 2-87  
 Screw, Hex, M10 X 1.5 X 30, 8.8, 3-49  
 Screw, Hex, M10 X 1.5 X 30, Ss, 2-7, 2-89, 3-11, 3-69, 3-79  
 Screw, Hex, M10 X 1.5 X 35, 8.8, 2-37  
 Screw, Hex, M10 X 1.5 X 35, Ss (Disk Scrub Head), 2-7  
 Screw, Hex, M10 X 1.5 X 45, 8.8, 3-69, 3-79  
 Screw, Hex, M10 X 1.5 X 80, 8.8, 3-69, 3-79  
 Screw, Hex, M10 X 1.50 X 25, 8.8, 2-117  
 Screw, Hex, M10 X 1.50 X 25, Ss, 3-76  
 Screw, Hex, M10 X 1.50 X 30, 8.8, 3-76  
 Screw, Hex, M10 X 1.50 X 35, Ss, 3-82  
 Screw, Hex, M10 X 1.50 X 45, 8.8, 2-39, 3-76  
 Screw, Hex, M10 X 1.50 X 80, 8.8, 2-17  
 Screw, Hex, M12 X 1.75 X 30, 8.8, 2-23, 2-25, 3-9  
 Screw, Hex, M12 X 1.75 X 30, Ss, 2-7, 2-75  
 Screw, Hex, M12 X 1.75 X 35, 8.8, 3-82  
 Screw, Hex, M12 X 1.75 X 40, 8.8, 2-51, 2-63, 2-69  
 Screw, Hex, M12 X 1.75 X 40, Ss, 2-75  
 Screw, Hex, M12 X 1.75 X 50, 8.8, 2-7  
 Screw, Hex, M12 X 1.75 X 55, Ss, 2-75, 2-83, 2-87  
 Screw, Hex, M12 X 1.75 X 60, 8.8, 2-23, 2-25, 2-69  
 Screw, Hex, M16 X 2.0 X 90, 8.8, 2-19  
 Screw, Hex, M4 X 0.7 X 20, 8.8, 3-59, 3-61  
 Screw, Hex, M4 X 0.70 X 12, 8.8, 3-29  
 Screw, Hex, M4 X 0.70 X 50, Ss, 4-19  
 Screw, Hex, M5 X 0.8 X 10, Fmg, 2-63, 3-69, 3-79  
 Screw, Hex, M5 X 0.8 X 12, Ss, 3-11  
 Screw, Hex, M5 X 0.8 X 16, Fmg, 3-53  
 Screw, Hex, M5 X 0.8 X 20, 8.8, 2-15, 2-57  
 Screw, Hex, M5 X 0.80 X 10, Fmg, 3-29  
 Screw, Hex, M5 X 0.80 X 16, 8.8, 3-51  
 Screw, Hex, M5 X 0.80 X 16, Ss, 2-53  
 Screw, Hex, M5 X 0.80 X 20, 8.8, 3-29  
 Screw, Hex, M6 X 1.0 X 12, Fmg, 2-119  
 Screw, Hex, M6 X 1.0 X 12, Ss, 3-67  
 Screw, Hex, M6 X 1.0 X 16, 8.8, 2-19, 2-53  
 Screw, Hex, M6 X 1.0 X 16, Fmg, 2-55, 2-65, 2-69  
 Screw, Hex, M6 X 1.0 X 20, Ss, 2-37, 2-65, 2-69, 2-75, 2-95, 2-97, 2-99, 3-3  
 Screw, Hex, M6 X 1.0 X 25, 8.8, 2-15  
 Screw, Hex, M6 X 1.0 X 25, Ss, 2-75, 2-83, 2-87  
 Screw, Hex, M6 X 1.0 X 50, 8.8, 2-43  
 Screw, Hex, M6 X 1.0 X 55, Ss, 2-67, 2-101  
 Screw, Hex, M6 X 1.0 X 60, 8.8, 2-53  
 Screw, Hex, M6 X 1.00 X 12, Ss, 3-29  
 Screw, Hex, M6 X 1.00 X 16, 8.8, 2-9, 2-45, 3-81  
 Screw, Hex, M6 X 1.00 X 16, Ss, 3-17

## CROSS REFERENCE

- Screw, Hex, M6 X 1.00 X 20, 8.8, 2-13, 2-19, 2-37, 2-39, 3-81
- Screw, Hex, M6 X 1.00 X 20, 9.8, Sems, 2-39, 3-29
- Screw, Hex, M6 X 1.00 X 20, Ss, 2-17, 2-83, 2-87
- Screw, Hex, M6 X 1.00 X 25, 9.8 Sems, 2-31, 2-33, 2-39
- Screw, Hex, M6 X 1.00 X 25, 9.8, Sems, 2-17
- Screw, Hex, M6 X 1.00 X 25, Ss, 2-99
- Screw, Hex, M6 X 1.00 X 50, 8.8, 3-75
- Screw, Hex, M8 X 1.25 X 110, Ss, 2-73, 3-13
- Screw, Hex, M8 X 1.25 X 120, 8.8, Fl, 2-35
- Screw, Hex, M8 X 1.25 X 16, 8.8, 2-19, 2-35, 2-99, 3-9
- Screw, Hex, M8 X 1.25 X 16, Ss, 2-59, 2-61, 2-93, 2-101, 3-73
- Screw, Hex, M8 X 1.25 X 20, 8.8, 2-9, 2-15, 2-17, 2-19, 2-21, 2-35, 2-39, 2-41, 2-43, 2-45, 2-49, 2-53, 3-73
- Screw, Hex, M8 X 1.25 X 20, Ss, 2-7, 2-9, 2-15, 2-21, 2-59, 2-61, 2-63, 2-65, 2-69, 2-75, 2-83, 2-87, 2-89, 2-93, 2-99, 2-101, 2-103, 2-123, 3-3, 3-5, 3-17, 3-29, 3-43, 3-44, 3-45, 3-59, 3-63, 3-65, 3-73
- Screw, Hex, M8 X 1.25 X 25, 8.8, 2-7, 2-9, 2-31, 2-33, 2-39, 2-41, 2-43, 2-45, 2-57, 2-93, 2-101, 2-103, 2-119
- Screw, Hex, M8 X 1.25 X 25, 9.8, Sems, 2-19, 2-39, 2-47
- Screw, Hex, M8 X 1.25 X 25, Fmg, 3-21, 3-25, 3-35, 3-39
- Screw, Hex, M8 X 1.25 X 25, Ss, 2-59, 2-61, 2-69, 2-75, 2-77, 2-89, 2-93, 2-97, 2-101, 2-103, 3-9, 3-13, 3-75
- Screw, Hex, M8 X 1.25 X 30, 8.8, 2-35, 2-93, 2-101
- Screw, Hex, M8 X 1.25 X 30, 9.8, Sems, 2-121
- Screw, Hex, M8 X 1.25 X 30, Ss, 2-71, 2-75, 2-103
- Screw, Hex, M8 X 1.25 X 35, 8.8, 2-53, 2-93, 2-101
- Screw, Hex, M8 X 1.25 X 35, 9.8, Sems, 2-39
- Screw, Hex, M8 X 1.25 X 35, Fl, Ss, 2-103
- Screw, Hex, M8 X 1.25 X 40, 8.8, 4-23
- Screw, Hex, M8 X 1.25 X 40, 8.8, Fl, 2-35
- Screw, Hex, M8 X 1.25 X 40, Ss, NI, 2-57
- Screw, Hex, M8 X 1.25 X 45, 8.8, 2-43
- Screw, Hex, M8 X 1.25 X 45, Ss, 2-37, 2-75, 2-79
- Screw, Hex, M8 X 1.25 X 50, 8.8, 2-57
- Screw, Hex, M8 X 1.25 X 50, Ss, 2-67
- Screw, Hex, M8 X 1.25 X 60, 8.8, Fl, 2-9
- Screw, Hex, M8 X 1.25 X 60, Fl, 2-63
- Screw, Hex, M8 X 1.25 X 70, 8.8, 2-53
- Screw, Hex, M8 X 1.25 X 70, Ss, 2-71
- Screw, Hex, M8 X 1.25 X 90, 8.8, 2-35, 2-79
- Screw, Motor, Hyd [En], 4-9
- Screw, Mtg [Ehpr98], 4-11, 4-13
- Screw, Pan, #04-24 X 0.50l, Hi - Low, 2-13
- Screw, Pan, #12-16 X 0.50, F/ Plstc, 3-77
- Screw, Pan, 12-16 X 0.50, F/ Plstc (ec-H20 only), 2-90
- Screw, Pan, M3 X 6, [Seelscrew], 2-13
- Screw, Pan, M4 X 0.7 X 10, Ss, 2-81, 2-85
- Screw, Pan, M4 X 0.7 X 16, 4.8, 2-21
- Screw, Pan, M4 X 0.7 X 16, Ss, 2-21, 3-3
- Screw, Pan, M4 X 0.7 X 25, 4.8, 2-15
- Screw, Pan, M4 X 0.7 X 25, Ss, NI, 2-4
- Screw, Pan, M4 X 0.7 X 35, Ss, 2-4, 2-57
- Screw, Pan, M4 X 0.70 X 20, 4.8, 2-7
- Screw, Pan, M5 X 0.8 X 12, Ss, 2-15, 2-21, 2-45, 2-95, 3-67
- Screw, Pan, M5 X 0.80 X 45, 4.8, 3-59, 3-63
- Screw, Pan, M6 X 1.0 X 12, Ss, NI, 2-77
- Screw, Pan, M6 X 1.0 X 16, Ss, 2-71, 3-59, 3-61
- Screw, Pan, M6 X 1.0 X 25, Ss, 2-77
- Screw, Pan, M8 X 1.25 X 25, Blk, 2-9, 2-13, 2-17
- Screw, Pan, M8 X 1.25 X 25, Ss, 2-75
- Screw, Pan, Phl, 06-20 X 0.50, Fmg/Ab, 2-21, 2-89, 2-90
- Screw, Pan, Phl, 12-16 X 0.50, F/ Plstc, 2-89, 2-90
- Screw, Pan, Phl, 12-16 X 0.50, F/ Plstc (PRO PANEL ONLY), 2-99
- Screw, Pan, Phl, M4 X 0.70 X 20, Ss, 3-29
- Screw, Pan, Phl, M5 X 0.80 X 12, Ss, 3-17, 3-21, 3-25, 3-39
- Screw, Pan, Phl, M5 X 0.80 X 16, Tcut,Ss, 4-19
- Screw, Pan, Phl, M5 X 0.80 X 20, Ss, 3-35, 3-43, 3-44, 3-45, 3-46, 3-47
- Screw, Pan, Phl, M5 X 0.80 X 45, 4.8, 3-73
- Screw, Set, M6 X 1.00 X 40, Ss [Cuppt], 3-57
- Screw, Soc, .38-16 X 1.25, Al, 2-35
- Screw, Soc, .50-13 X 1.50, Al, 2-49
- Screw, Soc, M16 X 2.0 X 50, 12.9, 2-49
- Screw, Soc, M4 X 0.70 X 16, 5-30
- Screw, Soc, M8 X 1.25 X 25, 12.9, 2-83, 2-87
- Screw, Soc, M8 X 1.25 X 35, 12.9, 2-83, 2-87
- Screw, Valve, Steering, 4-15
- Screw, Hex, M5 X 0.80 X 29, 8.8, 3-51
- Seal Kit [Buna], 4-25
- Seal Kit [Vitron], 4-25
- Seal Kit, Cartridge, 4-11, 4-13
- Seal Kit, Motor [Cl], 3-7, 4-9
- Seal Kit, Oil, 4-25
- Seal Kit, Pump, Hyd, 4-7
- Seal Kit, Rear, 4-5
- Seal Kit, Shaft, 4-5
- Seal Kit, Steering [Cl], 4-15
- Seal Kit, Valve [Ehpr98], 4-11, 4-13
- Seal Replmt Kit, 4-8
- Seal, Sponge, 0.88 1.00W 43.0L, 2-19
- Seal, Afmkt, Bulb, 90, 0.50d, 02ft, 2-15, 2-21
- Seal, Afmkt, Bulb, 90, 0.75d F/11ga 02ft, 2-15, 2-21
- Seal, Afmkt, Bulb, 90, 0.75d F/11ga 08ft, 2-9
- Seal, Afmkt, Bulb, Str, .75d F/07ga 08ft, 2-103
- Seal, Afmkt, Bulb, Str, 0.58d 08ft, 2-39
- Seal, Afmkt, Ure, Adh, 0.38, 0.38w 02ft, 2-39
- Seal, Bulb, Str, .50Hi .50W 047.2L, Adh, 2-89, 2-90
- Seal, Cam Shaft, Front, 5-5
- Seal, Cap, 5-5
- Seal, Case, Oil, Rear, 5-3
- Seal, Debris, 2-65
- Seal, Drive, Rear, Grease Cav, 2-49
- Seal, Foam, 0.50, 2-9
- Seal, Oil, 5-3, 5-12, 5-19
- Seal, Org, .069 X 3.06id, 2-117
- Seal, Org, .072 X 00.35id #04, 4-13
- Seal, Org, .078 X 00.47id #06, 4-13
- Seal, Org, .078 X 00.47id 06, 4-11
- Seal, Org, .087 X 00.64id #08, 4-13
- Seal, Org, Lpg, 5-28
- Seal, Plug, Drain, Nitrile, 2-101
- Seal, Shaft, Drain Plug, 2-101
- Seal, Tube, Water [Mit 2.0l], 5-22
- Seal, Wiper, 2-75
- Seal, Wire, 14/16ga [Wp / Mp280 Sealed], 4-17
- Seat, Deluxe, Replmt [M20/T20/M30], 4-21
- Seat, Deluxe, Replmt [M20/T20/M30](See Breakdowns), 2-15
- Seatbelt, Retract, Orange, Replmt, 4-21
- Send-Unit, Fuel [2007], 2-43
- Send-Unit, Water, Temp, 04npt 113oh/195d, 2-121
- Sender, Oil, Press [Mit] (3 Prong), 5-12
- Sensor [Tmap], 5-25
- Sensor, Camshaft [Mit], 5-25
- Sensor, Level, Liq, 14vdc 01a .62-11, 2-90, 2-99, 3-5, 3-73
- Sensor, Oxygen, 2-37
- Sensor, Oxygen, Tailpipe, 5-25
- Sensor, Spd / Dir, 6-30vdc, 2-57
- Sensor, Spd, Timing Wheel [3.0l], 5-25
- Sensor, Temp, Coolant, 5-25
- Shaft Wldt, Arm, Lift, 2-71
- Shaft Wldt, Brake, 2-53
- Shaft Wldt, Pedal, Brake, 2-53
- Shaft, Arm, Rocker, 5-9
- Shaft, Arm, Rocker, 5-9
- Shaft, Brush, Idler, 2-59, 2-61
- Shaft, Cap, Rocker, 5-9
- Shaft, Gear, Orbital, 4-23
- Shaft, Left, Balancer, 5-11
- Shaft, Motor, Hyd, 4-5
- Shaft, Output, 4-8
- Shaft, Output, Motor, Hyd [En], 4-9
- Shaft, Pump, 4-7
- Shaft, Pump, Water, 4-3

Shaft, Right, Balancer, 5-11  
 Shaft, Spring, Rocker, 5-9  
 Shaft, Sterring, 4-23  
 Sheave Kit, Repair [Mit 2.0I], 2-35  
 Sheave, Mach [Mit 2615rpm Fan], 2-35  
 Shield Kit, Debris, Replmt [T20], 2-75  
 Shield Kit, Side, Replmt [T20], 2-81, 2-85  
 Shield Wldt, Switch, Float, 2-99  
 Shield, Heat, Lower [Mit 20/24m], 5-16  
 Shield, Heat, Upper [Mit 20/24m], 5-16  
 Shield, Tray, Debris [Trimmed], 2-75  
 Shield, Tray, Drip [Mit 2013], 2-37  
 Shim Kit, 4-7  
 Shock Absorber, 2.3 Strk, 2-57  
 Shoe, Brake, 180 X 30mm, 2-51  
 Shrd Wldt,Fan,G/Lp, Replmt [M20/M30/T20], 2-39  
 Shrd Wldt,Fan,G/Lp, Replmt [TJ] (Japan Only), 2-39  
 Shroud Assy, Eng, 2-21  
 Shroud, Fan, 2-39  
 Shroud, Front, Trimmed, 2-19  
 Shroud, Seat, 2-15  
 Skirt, Eng Fan, Gas / Lp, 2-39  
 Skirt, Front, Disk Head, 2-69  
 Skirt, Neo, .06, 06.38w 40.86l, 06 Hole, 1-1  
 Skirt, Neo, .06, 06.85w 27.95l, 08 Hole, 1-1  
 Skirt, Neo, .06, 07.63w 51.52l, 11 Hole, 2-65  
 Skirt, Neo, .06, 12.00w 45.88l, 07 Hole, 1-1, 2-65  
 Skirt, Neo, .18, 10.37w 27.95l, 12 H&S, 1-1  
 Skirt, Rbr, .37, 04.50w 40.94l, 06 Hole, 1-1  
 Sleeve, 0.31b 0.50d 0.3l, Ss, 2-83, 2-87, 2-101  
 Sleeve, 0.49b 0.68d 1.2l [304ss], 2-75, 2-83, 2-87  
 Sleeve, Dashpo, Pump, Hyd, Gear, 4-5  
 Sleeve, Flng, 0.48b 1.25/0.88d 0.6l, Stl, 2-75  
 Sleeve, Nyl, #37 05.0l, 2-49  
 Sleeve, Nyl, 0.69id 20.0l [Asb11], 3-75  
 Sleeve, Nyl, 1.06id 22.0l [Asb15], 3-75  
 Sleeve, Nyl, 1.22id 14.0l, 2-115  
 Sleeve, Nyl, 2.38id 25.0l, 2-49  
 Sleeve, P/M, 0.25b 0.38d 0.2l [430ss], 3-81  
 Sleeve, P/M, 0.31B 0.44D 1.2L [430Ss], 2-77  
 Sleeve, P/M, 0.31b 0.50d 0.3l [430ss], 2-93, 2-101  
 Sleeve, P/M, 0.31b 0.50d 0.7l [430ss], 2-73, 2-93, 2-101  
 Sleeve, P/M, 0.31b 0.50d 0.9l [430ss], 2-37, 2-67  
 Sleeve, P/M, 0.34b 0.63d 0.6l, Bnz, 2-79  
 Sleeve, P/M, 0.34b 0.63d 1.2l, Bnz, 2-73  
 Sleeve, P/M, 0.37b 0.50d 0.6l [430ss], 3-9  
 Sleeve, P/M, 0.47b 0.75d 0.5l [430ss], 2-63, 2-69

Sleeve, Pump, Water, 4-3  
 Sleeve, Rbr, 3.50b 3.58d 1.8l, 3-5  
 Solenoid, #10, 12vdc, 4-11, 4-13  
 Solenoid, #8, 12vdc, 4-11, 4-13  
 Spacer, 2-67, 3-7  
 Spacer Plate, 4-8  
 Spacer, Rnd, .125l, Alm, 2-13  
 Spacer, Alternator [Mit 2.0/2.4I], 5-20  
 Spacer, Belt, Balancer, Train, 5-11  
 Spacer, Crankshaft, 2-35  
 Spacer, Fan, Taper [Mit 2013], 2-35  
 Spacer, Hub, Keyed, 2-67  
 Spacer, Plstc, Ny, 2-15  
 Spacer, Pump, Water, 2-35  
 Spacer, Ring, Throttle [Mit 40mm], 5-28  
 Spacer, Rlr, 2-75  
 Spacer, Sqge, Side Brush, 3-7  
 Spacer, Valve, Steering, 4-15  
 Spool, Pilot, Hyd, 4-11, 4-13  
 Spring, 4-5  
 Spring Kit, Flat, Replmt [T20], 2-71  
 Spring Kit, Scu [Cl], 4-15  
 Spring, Cmpr, 0.97od .11wir 2.5l, 2-75  
 Spring, Cmpr, 0.40od .04wir 00.6l, Ss, 3-57  
 Spring, Cmpr, 0.42od .06wir 1.50l, 2-67  
 Spring, Cmpr, 0.72od .06wir 02.3l, 2-17  
 Spring, Cmpr, 0.9od .042wir 02.0l, 2-73  
 Spring, Dsl, 1.00od 0.50id 1.7l, 2-79  
 Spring, Extn, 0.75od X 0.09wir, 2.5l, 2-83, 2-87  
 Spring, Extn, 0.75od X 0.12wir, 4.3l, 2-57  
 Spring, Extn, 1.69od X 0.20wir, 9.5l, 2-71  
 Spring, Extn, 2.00od 0.25wir 07.5l, 2-63  
 Spring, Flat, .06 X 4.13 X 6.5l 4 Hole, 2-71  
 Spring, Flat, Retainer, Screen, 2-77  
 Spring, Motor, Hyd, 4-5  
 Spring, Tors, 0.75id .06wir 02.8coil, 2-53  
 Spring, Tors, 1.13id .12wir 02.3coil Rh, 2-53  
 Spring, Wir, 0.08d, Brake, Parking, 2-53  
 Spring, Wir, 0.25d, Return, Brake, 2-51  
 Sprocket Assy, Cshft, 5-9  
 Sprocket, Camshaft, 5-9  
 Sprocket, Cshft, 5-11  
 Sprocket, Pump, Oil, 5-9  
 Sprocket, Shaft, Balancer, 5-11  
 Squeegee Kit, Rear, Replmt [M20/T20], 2-73  
 Squeegee Wldt, Rear, 2-73  
 Stand-Off, Hex, M3 X M14, Alm, 2-13  
 Stand-Off, Hex, M8 X M8, Metal, 2-23, 2-25  
 Starter, Motor [Mit 2.0/2.4I], 5-20  
 Steer-Control, Hyd05, 06.1 2030, 4-15  
 Steer-Control, Hyd05, 06.1 2030 (See Breakdowns), 2-17  
 Stem, Valve, Hyd, 4-11, 4-13  
 Stem, Valve, Hyd [4w2p], 4-11  
 Stem, Valve, Hyd, 4w2p, 4-13  
 Stop, Rotation, 2-79  
 Strainer Wldt, Trough, Debris 4.3w 15.L, 2-77

Strainer, Hyd, 25gpm 100mesh Psi, 2-121  
 Strainer, Hyd, 025gpm 100mesh 03psi, 1-1  
 Strainer, Hyd, 25 Gpm 100 Mesh, 1-1  
 Strainer, Soltn, 20 Mesh, Cyl 3.5d 9.5l, 3-5  
 Strap, Mtg, Tank, Lpg, 2-45  
 Strap, Mtg, Tank, Lpg, Hinge, 2-45  
 Strap, Rbr, 13.2l [2/S Hooks], 3-59, 3-61  
 Strap, Rbr, Tie-Down, 2/Hooks 19.0l, 2-47  
 Strap, Sppt, 2-57  
 Strap, Static, .19 1.1w 25.0l W/ Grommet, 2-75  
 Strap, Static, W/Grommet, .19 1.1w 25.0l (Disk Scrub Head), 2-7  
 Strap, Tank, Gas, 2-43  
 Strip Mtg, Seal, 2-19  
 Strip, Non-Slip, 0.50w 06.0l, 2-73  
 Strip, Rbr, 0.06 03.54w 03.5l [Neo/60], 3-29  
 Stud, 5-5  
 Stud, Ball, .39d .31-16, Gasspring, 2-15  
 Stud, M05-0.8, 5-30  
 Stud, M10-1.25 X 50, Full Thrd [Mit], 5-25  
 Stud, M8 X 1.25, 2.75l M8 X 1.25, Ss, 2-73  
 Stud, M8-1.25 X 30 [Mit Double End], 5-15  
 Stud, M8-1.25 X 35 [Mit Double End], 5-15  
 Stud, M8-1.25 X 40 [Mit], 5-16  
 Stud, M8-1.25 X 50 Full Thrd [Mit], 5-15  
 Stud, Manifold, Intake, M8 X 28, 5-16  
 Stud, Wheel, .50-20 X 1.50l, 0.370th, 2-49  
 Support Wldt, Sqge, Lh Rear, 3-69, 3-79  
 Support Wldt, Sqge, Rh Rear, 3-69, 3-79  
 Switch Assy, Press, 3.0, 17.5l Tube, 3-5  
 Switch Kit, Pump, Repair,, 4-17  
 Switch, Ignition [Ku], 2-13  
 Switch, Press, 12vdc 08a Spst Nc 0070psi, 2-45  
 Switch, Press, 50 Psi, Pm02, 3-31  
 Switch, Rocker, Dpdt, On / None / On, 3-59, 3-63  
 Switch, Rocker, Dpdt, On / Off / On, 2-13  
 Switch, Rocker, Prgrsv, 3-71  
 Switch, Rocker, Spst, Mom, 3-29  
 Switch, Seat, 4-21  
 Switch, Snap, 15a Nc, Rlr, 2-53

**T**

Tank, Coolant, 03.6w 04.1hi 05.5l, 1liter, 2-41  
 Tank, Detgt, Trimmed, 3-5  
 Tank, Fuel, 11.2gal, Gas, Replmt [2007], 2-43  
 Tank, Lpg, 33lb, W/ Gauge [Empty, Liq], 2-45  
 Tank, Recvy, Trimmed, 2-99  
 Tank, Soltn, W/ Es [T20], 2-89  
 Tank, Soltn, W/ Label, 2-89  
 Tensioner, 5-9  
 Tensioner, Timing, Belt, 5-11

## CROSS REFERENCE

Terminal, Bullet, Mal. .156d, 22-18ga,  
3-44, 3-45, 3-46, 3-47  
Terminal, Fern, Mp280, Sealed, 18-16ga,  
4-17  
Thermostat Kit, Coolant, Replmt [Mitsub],  
5-22  
Throttle Body [Mit, Bosch], 5-28  
Throttle Body [Mit, Bosch], 5-27  
Thrust Bearing, 4-8  
Thurst, Case, 5-5  
Tie, Cable, 6.0l, 1.25d Max, 3-46, 3-47  
Tie, Cable, 11.3l, 2.75d Max, 3-51  
Tie, Cable, 11.3l, 2.75d Max (PRO PANEL  
ONLY), 2-99  
Tie, Cable, Nyl, 07.3l .19w 1.8 Max D,  
2-13, 2-49, 2-61, 2-115, 3-31, 3-46,  
3-47, 3-71  
Tie, Cable, Nyl, 14.5l .30w 4.0 Max D,  
4-19  
Tie, Cable, Nyl, 15.3l . W 4.5 Max D,  
3-21, 3-35  
Tire Assy, Idler, 16.0 X 3.5, Rubber, 2-51  
Tire, Drive, Scrbr, Non-Skid, 18.0X6.0,  
2-49  
Tire, Drive, Scrbr, Pu, Grey, 18.0X6.0  
(Optional Polyurethane), 2-49  
Tire, Idle, 16 X 3.5, Pu, Siped  
Tread(Optional Polyurethane), 2-51  
Tow Wldt, Bumper, Front, 3-82  
Track Assy, Slide, 4-21  
Transport Kit, Ci [T20], 3-67  
Tray, 3-59, 3-61  
Tray Kit, Debris, Replmt [T20], 2-77  
Tray Wldt, Fuel, 2-43  
Tray Wldt, Lpg, 2-45  
Tray, Debris, Trimmed, 2-77  
Tread, Non-Skid, 01.9w 08.0l, 2-7  
Tread, Non-Skid, 02.2w 11.5l, 3-11  
Tread, Non-Skid, 03.0w 11.6l, 2-7, 2-9,  
2-55  
Tube Assy, Plug, Drain, 2-101  
Tube Kit, Tank, Recvy, Replmt, 2-101  
Tube Kit, Tank, Soltn, Replmt, 2-93  
Tube Wldt, Leg, Ohg, Lh, Pntd, 3-49  
Tube Wldt, Leg, Ohg, Rh, Pntd, 3-49  
Tube Wldt, Plug, Drain, 2-101  
Tube Wldt, Tee [Mit 2013], 2-31, 2-33  
Tube Wldt, Torque, 2-63, 2-69  
Tube Wldt, Vacuum, 2-77  
Tube, 0.50d 0.32b 00.4l, Ss, 2-93, 2-101  
Tube, 00.38d 00.26b 00.3l Stl Plt,  
2-55  
Tube, 00.50d 00.38b 00.6l Stl, 2-57  
Tube, Coolant, 1.3d, Lower [Mit 2013],  
2-41  
Tube, Cooling, Line [Mit], 5-23  
Tube, Exhaust, Flng, 1.5d [M20/T20 2007],  
2-37  
Tube, Hyd, 08 Jf08/Jm08, 2-59  
Tube, Hyd, Brush Return, W/ Cd  
[M20/T20], 2-61  
Tube, Hyd, Main Return [G/Lp Mit2013],  
2-119

Tube, Hyd, Sqge, 2-119  
Tube, Pump, Water, 5-22  
Tube, Rnd, 3.00d 2.90b 02.0l, Ss, 2-93,  
2-101  
Tube, Vacuum, 2-7  
Tube, Vinyl, Pump, Water, 4-3  
Tube, Water, Line [Mit], 5-22  
Tubing Connctr.Kit, Gorman Pmp, 4-16

### U

Upper Hsg Kit, Pump, Repair,, 4-17

### V

Valve Assy [Proportional], 4-11, 4-13  
Valve Assy, Relief [CI], 4-15  
Valve Assy, Water, Solenoid , 12vdc, 2-97  
Valve Assy, Water, Solenoid, 12vdc, 2-95,  
3-11, 3-35  
Valve Kit, 4-25  
Valve Kit, Poppet, Gorman Rupp, 4-16  
Valve Kit, Replacement 12v St Flow, 3-11  
Valve, Check, 4-11, 4-13  
Valve, Check, 0002psi [FaST li+], 4-24  
Valve, Check, 0005psi [FaST li+], 4-24  
Valve, Check, 0005psi Bm06/Bm08, 3-17  
Valve, Check, 0005psi Pm04/Bm06, 3-31  
Valve, Check, 2Gpm .5Psi Bm08/Bm08,  
3-35, 3-39  
Valve, Check, Pump, Water, 4-3  
Valve, Cntrl, Hyd, Solenoid, 03/16gpm,  
4-11  
Valve, Cntrl, Hyd, Solenoid, 03/16gpm  
(See Breakdowns), 3-13  
Valve, Cntrl, Hyd, Solenoid, 12vdc 08gpm,  
4-13  
Valve, Cntrl, Hyd, Solenoid, 12vdc 08gpm  
(See Breakdowns), 2-123  
Valve, Cntrl, Water, 3-57  
Valve, Drain, Pm12, Qtr Turn, 3-73  
Valve, Exhaust, 5-9  
Valve, Gasket, Pcv, 5-4  
Valve, Hyd, Check, Jm08/Om08 5000psi,  
3-13  
Valve, Hyd, Press Washer, 3-73, 3-75, 4-25  
Valve, Inlet, 5-9  
Valve, Lpg, Press Relief [Rego], 2-45  
Valve, Motor, Hyd, 4-5  
Valve, Needle, 3-73  
Valve, Pcv, 5-4  
Valve, Relief, 4-11, 4-13  
Valve, Relief, 3000 Psi, 4-7  
Valve, Relief, 4000 Psi, 4-7  
Valve, Seal, Stem, 5-9  
Valve, Shutoff, 3-63, 3-65  
Valve, Solenoid, 12vdc, Water Flow, 3-21,  
3-25, 3-39  
Valve, Spring, 5-9  
Valve, Spring, Lock, 5-9  
Valve, Spring, Retainer, 5-9  
Valve, Spring, Seat, 5-9

Valve, Stem, No, 4-11, 4-13  
Valve, Vent, Air, Float Type, 3-31  
Valve, Water, Solenoid, 12vdc 0.08pf, 3-3  
Valve, Water, Solenoid, 12vdc 6.0mm  
Pf04, 3-17

### W

Wand Assy, Power, 3-57  
Wand Kit, Vac, Sqge, Ci [T20], 3-53  
Wand, Chm, Dbl Bend [1 Pk= 1 Box Of  
2pc], 3-53  
Wand, Clean-Out, 3-63, 3-65  
Wand, Dbl Bend, 38.1mmd, 3-57  
Wand, Str, Ss, 28l, 3-71  
Washer, 5-9, 5-21  
Washer, 1/4 Flat [Mit], 5-27  
Washer, Belleville, .31, 2-57  
Washer, Belt, Balancer, Train, 5-11  
Washer, Bolt, 5-7  
Washer, Flat 3/8, Sae, 5-17  
Washer, Flat, .781b 1.63od .16, Stl, Blk,  
2-49  
Washer, Flat, .78b 1.75d .18, Ss, 2-101  
Washer, Flat, #06, 3-53, 3-59, 3-61  
Washer, Flat, #08, 2-15  
Washer, Flat, #08, Ss, 2-4  
Washer, Flat, #10, 2-15, 2-21, 2-47, 3-59,  
3-63  
Washer, Flat, #10 Ss, 2-57  
Washer, Flat, #10, Ss, 3-3, 3-63, 3-65  
Washer, Flat, 0.15b 0.31d .05, Nyl, 2-13  
Washer, Flat, 0.19b 0.44d .05, Pl, 08, 2-13,  
2-57  
Washer, Flat, 0.25 Fendr, 2-15  
Washer, Flat, 0.25 Sae, 2-15  
Washer, Flat, 0.25 Std, 2-53, 2-55, 2-57  
Washer, Flat, 0.25, Fendr, 2-39  
Washer, Flat, 0.25, Sae, 2-17, 2-37, 2-39,  
2-43, 2-45, 3-29  
Washer, Flat, 0.25, Ss, 2-65, 2-67, 2-69,  
2-75, 2-77, 2-95, 2-97, 2-99, 3-3, 3-67  
Washer, Flat, 0.25, Std, 2-9, 2-13, 2-17,  
2-19, 2-27, 2-29, 2-37, 2-39, 3-75,  
3-81  
Washer, Flat, 0.25b 0.56d .05, Pl, 10, 2-35,  
3-51, 3-73  
Washer, Flat, 0.27B 0.69D .05, Ss, 3-17,  
3-29  
Washer, Flat, 0.31 Sae, 2-9, 2-57, 2-83,  
2-87  
Washer, Flat, 0.31, Sae, 2-35, 2-37, 2-77,  
2-93, 2-101, 4-23  
Washer, Flat, 0.31, Ss, 2-65, 2-67, 2-71,  
2-73, 2-75, 2-79, 2-83, 2-87, 3-3, 3-9  
Washer, Flat, 0.31, Std, 2-7, 2-9, 2-15,  
2-17, 2-31, 2-33, 2-35, 2-39, 2-41,  
2-43, 2-45, 2-49, 2-53, 2-59, 2-61,  
2-63, 2-69, 2-71, 2-89, 2-93, 2-97,  
2-99, 2-101, 2-119, 3-9, 3-13, 3-49,  
3-59, 3-63, 3-67, 3-73, 3-75

Washer, Flat, 0.32b 1.00d .12, Ss, 2-9,  
 2-15, 2-19, 2-21, 2-35, 2-75, 2-77,  
 2-89, 2-93, 2-99, 2-101, 2-103, 2-123,  
 3-5, 3-17, 3-29, 3-43, 3-44, 3-45,  
 3-63, 3-65, 3-73  
 Washer, Flat, 0.32b 1.00d .12, Ss  
 (Flashing or Strobe Light Option  
 Only), 3-73  
 Washer, Flat, 0.38 Sae, 2-57, 2-63, 2-79,  
 2-117  
 Washer, Flat, 0.38 Std, 2-15, 2-23, 2-25,  
 2-45, 2-57, 2-79, 3-7, 3-49  
 Washer, Flat, 0.38, Std, 2-37, 2-39, 2-67,  
 2-89, 3-59, 3-61, 3-69, 3-76, 3-79,  
 3-82  
 Washer, Flat, 0.38, Std (Disk Scrub Head),  
 2-7  
 Washer, Flat, 0.38b 0.88d .08, Ss, 2-37,  
 2-93, 2-103  
 Washer, Flat, 0.38b 1.25d .12, Neo, 2-77  
 Washer, Flat, 0.40b 1.12d .12, Ss, 2-39,  
 3-49  
 Washer, Flat, 0.40b 1.12d .12, Stil, Pl, 2-17  
 Washer, Flat, 0.41b 1.25d .12, Pye, 2-15  
 Washer, Flat, 0.44b 1.00d .08, Ss, 2-7,  
 2-75, 2-77, 3-11, 3-69, 3-79  
 Washer, Flat, 0.50 Sae, 2-23, 2-25, 2-51,  
 3-9  
 Washer, Flat, 0.50 Std, 2-23, 2-25  
 Washer, Flat, 0.50, Std, 2-7, 2-75  
 Washer, Flat, 0.50, Std (Disk Scrub Head),  
 2-7  
 Washer, Flat, 0.53b 1.06d .10, Stil, Pl,  
 2-17, 3-82  
 Washer, Flat, 0.53b 1.88d .12, Stil, Pl, 2-9,  
 2-23, 2-25, 2-73, 3-81  
 Washer, Flat, 0.56b 1.38d .11, Ss, 2-63,  
 2-69, 2-71, 2-83, 2-87  
 Washer, Flat, 0.62 Sae, 2-19  
 Washer, Flat, 0.66b 1.00d .12, Rbr, 3-3,  
 3-63, 3-65  
 Washer, Flat, 0.69b 1.19d .06, Stil, Pl, 2-79  
 Washer, Flat, 0.76b 1.50d .06, Ss, 2-51  
 Washer, Flat, 0.79b 1.18d .06, Nyl, 2-93,  
 2-101  
 Washer, Flat, 0.81b 1.06d .06, Stil, 2-39  
 Washer, Flat, 08, 3-29  
 Washer, Flat, 08, Ss, 4-19  
 Washer, Flat, 1.15b 1.75d .08, Stil, 2-13  
 Washer, Flat, 1.26b 1.88d .13, Stil, 3-11  
 Washer, Flat, 1.26B 1.88D .13, Stil, Pl, 2-7  
 Washer, Flat, 1.39b 2.12d .13, Stil, 2-49  
 Washer, Flat, 10, 3-29, 3-43, 3-44, 3-45,  
 3-46, 3-47  
 Washer, Flat, 10, Ss, 2-53, 3-17, 3-21,  
 3-25, 3-35, 3-39, 3-51, 3-71  
 Washer, Flat, 2.16b 3.50d .16, Felt, 2-49  
 Washer, Flat, Belleville, .25, 2-75, 2-83,  
 2-87  
 Washer, Flat, Belleville, .31, 2-35, 2-93,  
 2-101, 3-9  
 Washer, Flat, Belleville, .38, 2-83, 2-87  
 Washer, Flat, Belleville, .50, 2-75, 2-83,  
 2-87, 2-103  
 Washer, Flat, M21.0b X 37d X 3, 2-51  
 Washer, Flat, Pump, Hyd, 4-7  
 Washer, Lock, 0.38, 5-17  
 Washer, Lock, Int-Ext, 0.31, 2-75  
 Washer, Lock, Int-Ext, 0.31 (Disk Scrub  
 Head), 2-7  
 Washer, Lock, Int-Ext, 10, 2-21  
 Washer, Lock, Int, 0.25, 2-35, 3-29  
 Washer, Lock, Int, 08, Ss, 4-19  
 Washer, Lock, M12 [Mit], 5-18  
 Washer, Lock, M6 [Mit], 5-28  
 Washer, Lock, M8 [Mit], 5-9, 5-21  
 Washer, Pump, Hyd [En], 4-7  
 Washer, Rbr, 4-3  
 Washer, Sealing, 0.28b 0.75d Ss, Neo,  
 2-99  
 Washer, Shld, Nyl [8-32], 2-13  
 Washer, Special, 5-10  
 Washer, Spring, 5-13  
 Washer, Star, M10 [Mit], 5-25  
 Washer, Strainer, 5-7  
 Washer, Thrust, 0.34b 1.50d .06, 2-93,  
 2-101  
 Washer, Thrust, 0.61b 1.25d .06, Fgl,  
 2-79, 2-81, 2-83, 2-85, 2-87  
 Washer, Thrust, 0.79b 1.42d 0.06[Garlok],  
 2-17  
 Washer, Thrust, 1.00b 1.75d 0.13w, Fbr,  
 3-9  
 Washer, Thrust, 1.26b 1.97d 0.13, Bnz,  
 4-23  
 Washer, Flat 0.25, Ss, 3-59, 3-61  
 Wheel, 06.0D 2.00W 1.19B, Gray Rbr, 2-7,  
 3-11  
 Wheel, 3.0d 0.87w 0.44b, Rbr, Pp Core,  
 2-77  
 Wheel, 3.0d 1.38w 0.50b, 1-1  
 Wheel, 4.0d 0.89w 0.64b, 2-73  
 Wheel, 41.3d 19.1w, Rbr, 3-57  
 Wheel, Steering, 14.4d, 2-17

