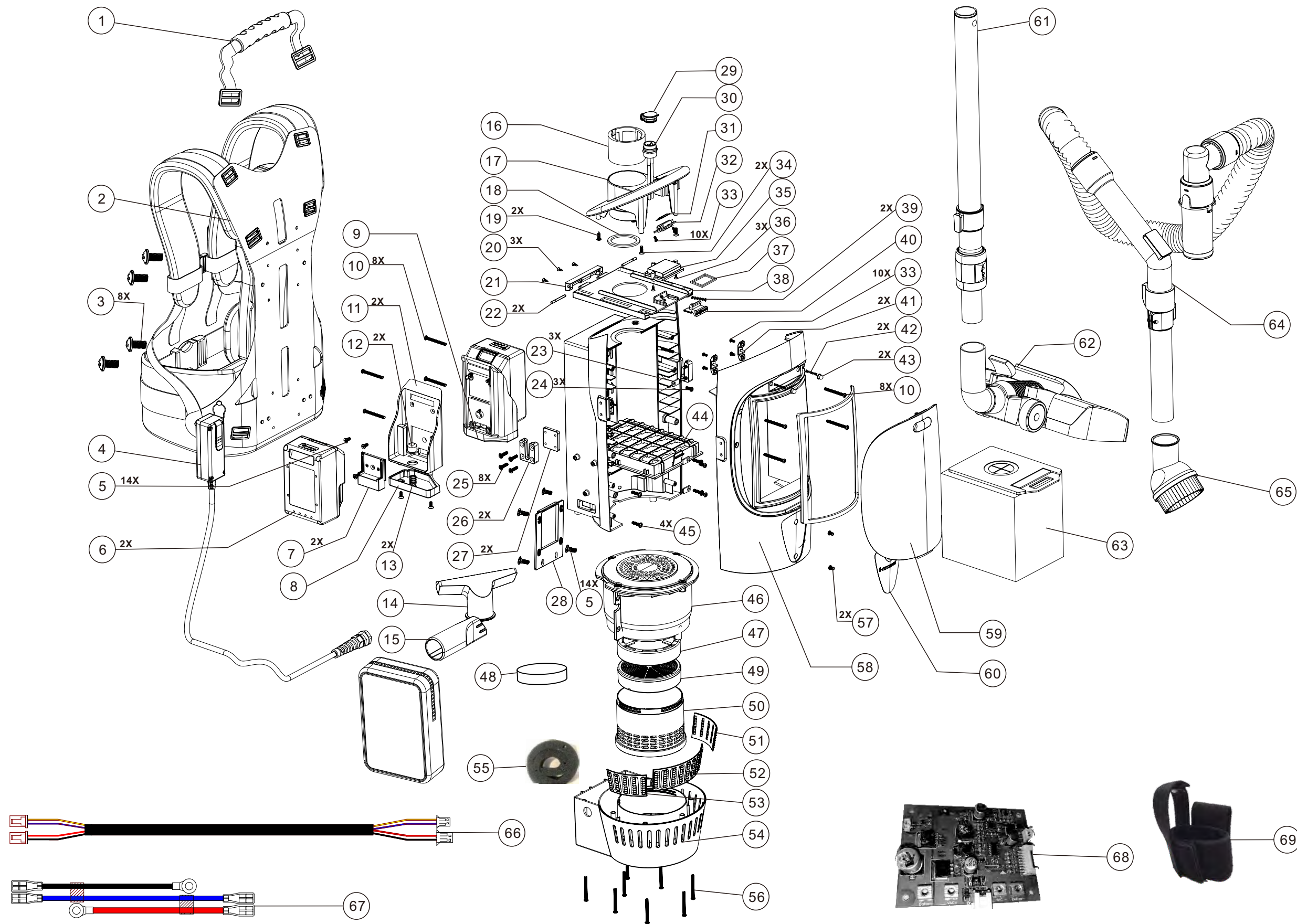


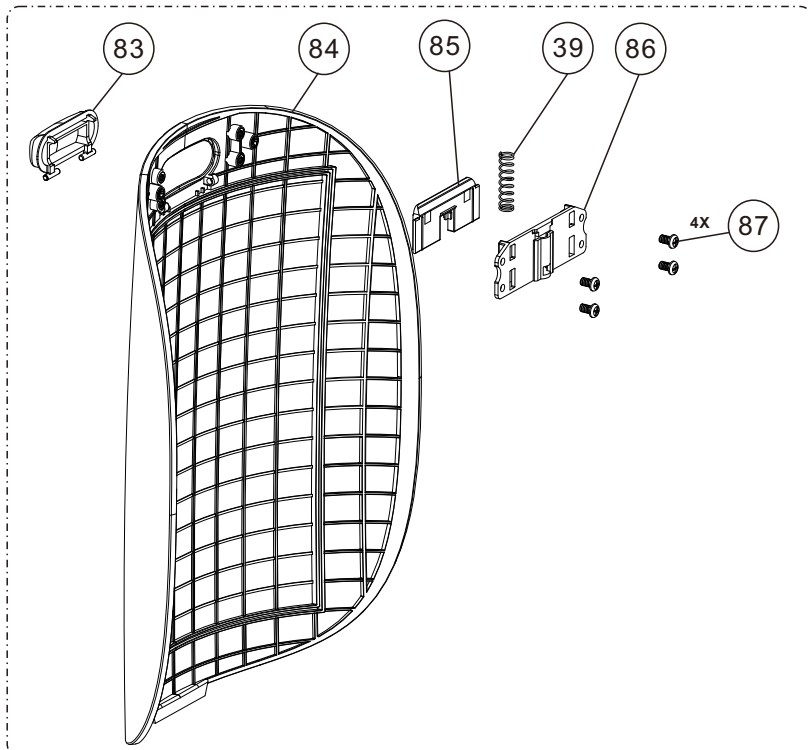


I-MOVE2.5B MACHINE EXPLODED DRAWING



S1

ASSY SHOULDER HARNESS & WALSTBAND | BLUE

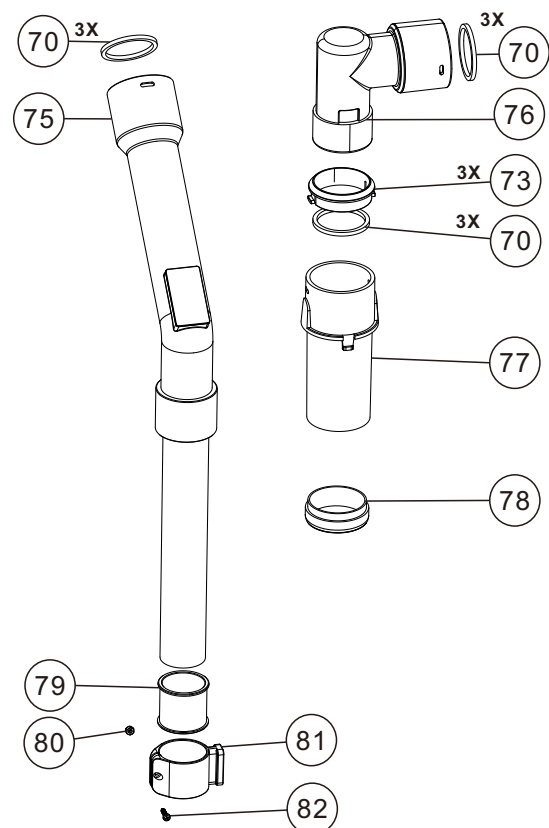
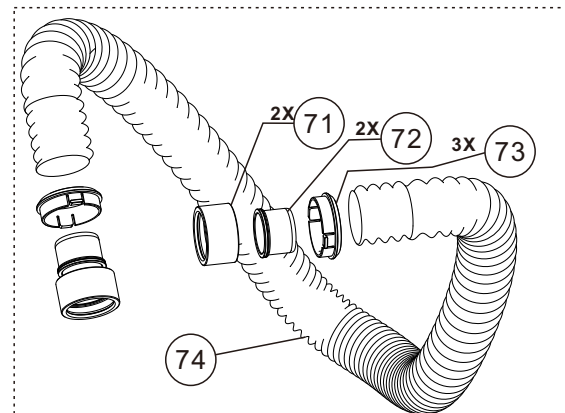


S2

HOSE AND BEND ENDS ASSM-ESD CONNECTING

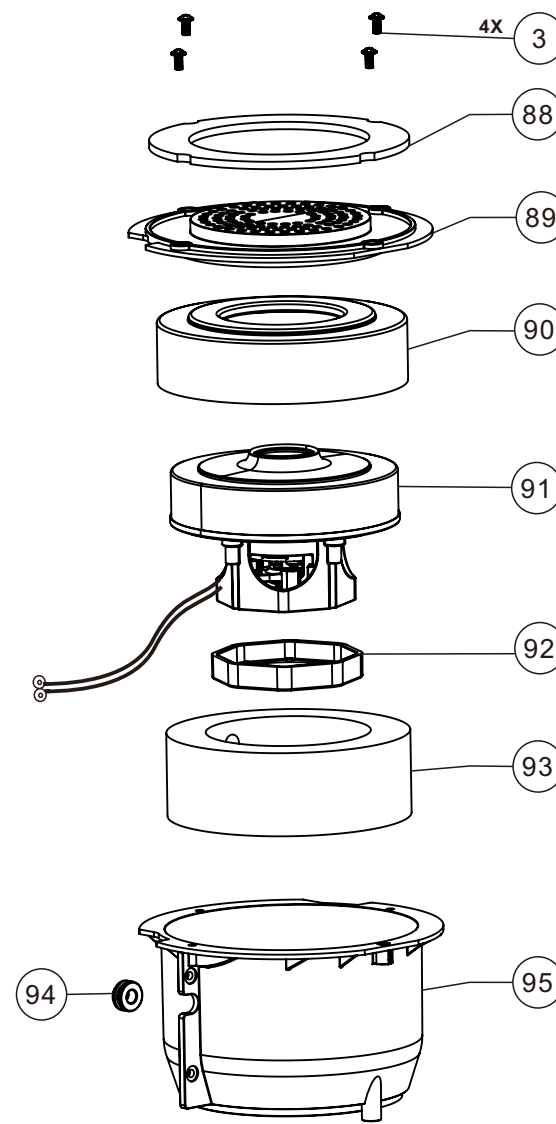
S3

ASSY HOSE WITH COPPER ENDS-ESD CONNECTING



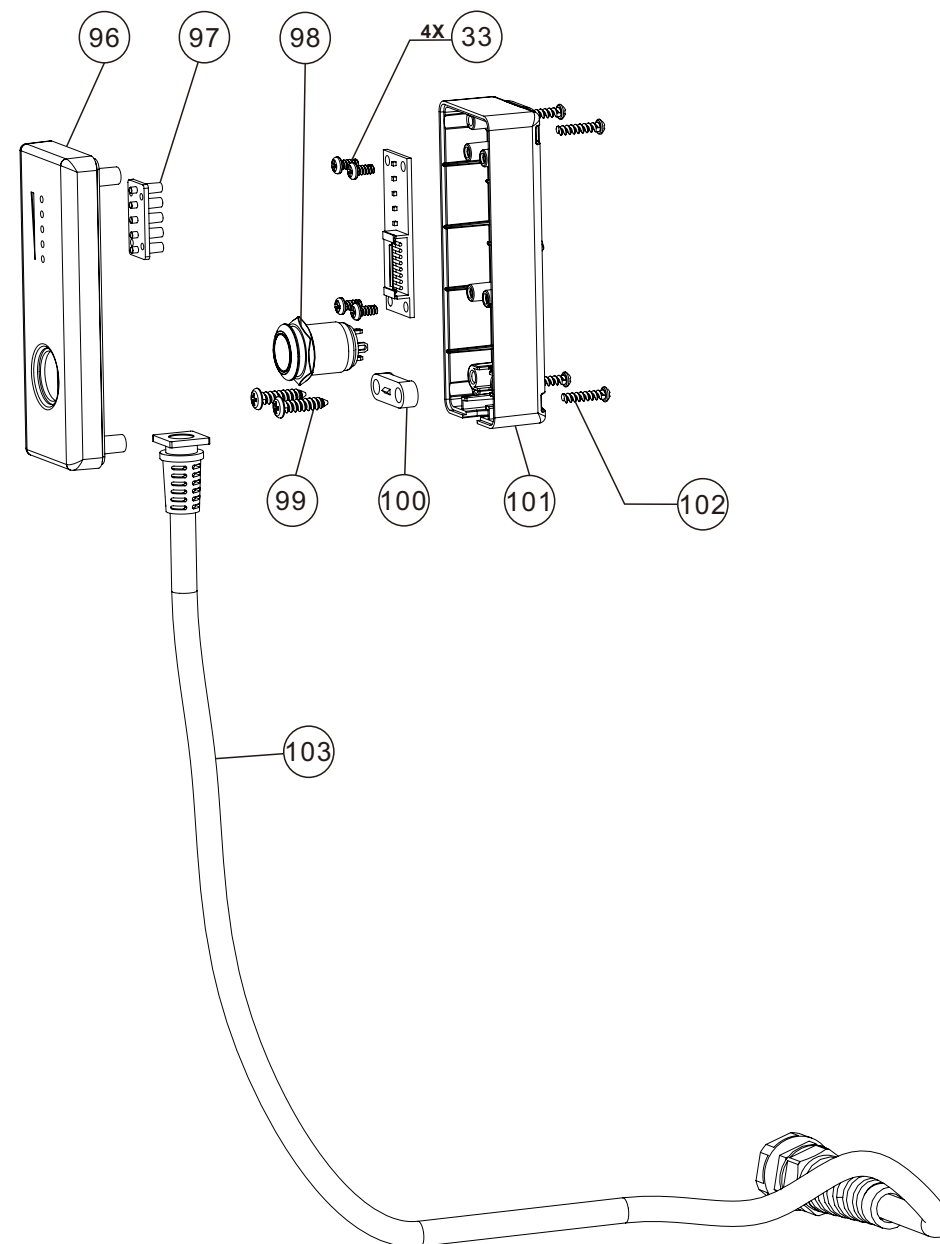
S4

MOTOR AND MOTOR HOUSING ASSM



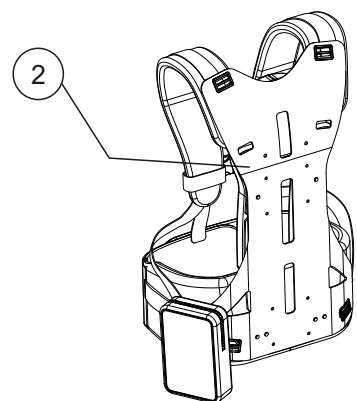
S5

CONTROL BOX WITH CABLE ASSM



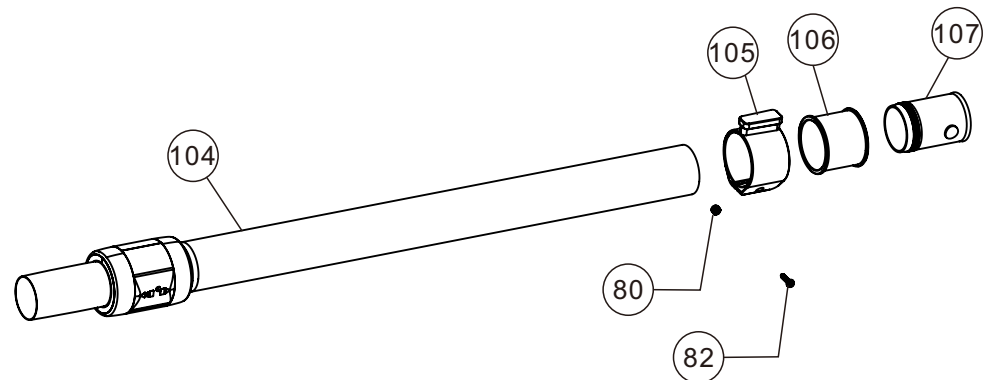
S6

HARNESS WITH CONTROL BOX HOLDER BELT



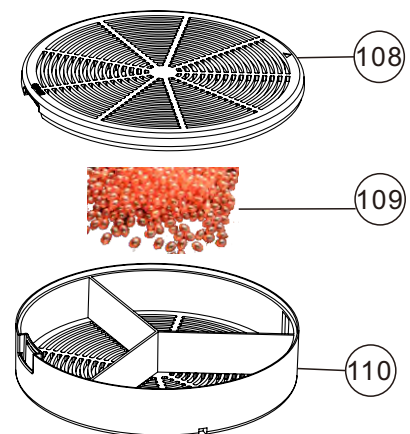
S7

WAND WITH HOLDER RING ASSM



S8

AIR FRESHENER CARTRIDGE



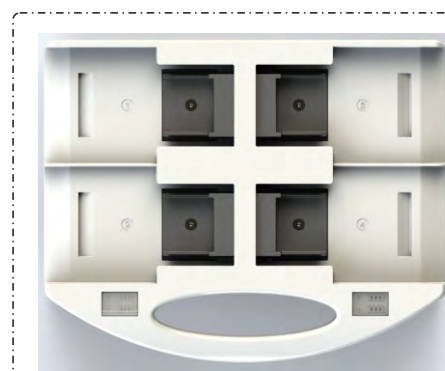
S9

I-POWER BATTERY, 14.4V, 8.7Ah, 4S3P GREY



S10

I-CHARGER 5A-4X



S11

I-POWER 8.7 SINGLE CHARGER WITH SPIRAL WIRE CABLE



Option: You can choose a charger with four or a single charger.

No.	Part No.	Description	QTY.	No.	Part No.	Description	QTY.	No.	Part No.	Description	QTY.
1	121.0006.0	CARRY HANDLE OF HARNESS	1	46	S.119.0036.357	MOTOR AND MOTOR HOUSING ASSM	1	91	119.0043.0	DC28V BRUSHLESS MOTOR 250W	1
2	S.106.2059.0/797C	HARNESS WITH CONTROLBOX HOLDER BELT I-MOVE25B	1	47	119.0062.357	AIR OUT TOP FILTER BRACKET	1	92	119.0059.0	MOTOR BOTTOM RUBBER I-MOVE 2.5B	1
3	121.0100.0	SCREW M4X8 CROSS HEAD WITH FLANGE NORMAL STEEL	8	48	119.0091.0	NOISE REDUCTION SPONGE AIR OUT	1	93	119.0069.0	NOISE REDUCTION SPONGE FOR MOTOR HOUSING	1
4	S.119.0039.797	CONTROL BOX WITH CABLE ASSM	1	49	S.119.0026.357	AIR FRESHER CARTRIDGE	1	94	119.0068.0	RUBBER BLOCK FOR MOTOR HOSUING WIRES	1
5	119.0066.0	M4*10 FLAT HEAD SELF-TAPPING SCREW	14	50	119.0024.357	AIR OUT FILTER HOUSING	1	95	119.0036.357	MOTOR HOUSING	1
6	S.119.0001.3	I-POWER BATTERY, 14.4V, 8.7Ah, 4S3P GREY	2	51	119.0090.357	RIGHT LOUVER WIND GUIDING PLATE	1	96	119.0038.797	CONTROL BOX COVER	1
7	S.119.0037.357	BATTERY INSERT CONNECTOR ASSM	2	52	119.0089.357	MIDDEL LOUVER WIND GUIDING PLATE	1	97	119.0041.996	LED COVER	1
8	119.0028.357	SPRING HOUSING R	1	53	119.0088.357	LEFT LOUVER WIND GUIDING PLATE	1	98	119.0048.0	METAL SWITCH 16MM FOR POWER SWITCH	1
9	119.0029.357	SPRING HOUSING L	1	54	119.0023.357	BOTTOM HOUSING	1	99	106.1111.23	M4*16 PAN HEAD SELF-TAPPING SCREW	2
10	119.0067.0	M4x40 PAN HEAD SELF-TAPPING SCREW	8	55	119.0070.0	FILTER SPONGE FOR BOTTOM HOUSING AIROUT	1	100	00.0052.0	CABLE RESTRAIN INTERNAL	1
11	119.0027.357	BATTERY HOLDER	2	56	119.0065.0	M4x40 MACHINING SCREW	8	101	119.0039.797	CONTROL BOX HOUSING	1
12	119.0030.357	SPRING COVER	2	57	10.0423	M4*6 SCREW PAN HEAD cross nylon	2	102	00.0002.62	SCREW ST3 X 14 CROSS	4
13	119.0050.0	SPRING FOR BATTERY HOLDER	2	58	119.0019.797	FRONT SHELL	1	103	119.0054.0	8 POLES CABEL FOR CONTROL BOX	1
14	S.02.0031.1	UPHOLSTERY TOOL 35MM + BRISTLE	1	59	S.119.0022.357	FRONT DOOR ASSM	1	104	S.02.1000.357/797	ASSY TELESCOPIC WAND STAINLESS Length:530MM GREY BLUE	1
15	02.0032.9	CREVICE TOOL 32MM (L=12CM)	1	60	119.0064.0	I-TEAM LOGL HOT STAMPING(PRINTING)	1	105	119.0081.0	TELESCOPIC WAND HOLDER RING	1
16	70.0016.000	INSERT DUPRO BLACK ESD	1	61	S.119.0081.0	WAND WITH HOLDER RING ASSM	1	106	119.0087.797	SILICON RUBBER FOR TELESCOPIC WAND HOLDER RING	1
17	119.0021.357	TOP COVER	1	62	22.9045.297	FLOOR TOOL COMBI RD297_32MM	1	107	02.1000.7/000	TELESCOPIC END CAP IN PP ESD MATERIAL	1
18	119.0099.0	EVA SEAL FOR HOSE INSERT DUPRO	1	63	119.0049.0	PAPER BAG I-MOVE2.5B	2	108	119.0025.357	AIR OUT AIR FRESHNER TOP COVER	1
19	106.1111.24	M4*12 PAN HEAD SELF-TAPPING SCREW	1	64	P.119.0082.000	ESD HOSE WITH END AND O RING CLIP ASSM	1	109	119.0083.0	FRAGRANT BEADS FOR AIR FRESHNER CARTRIDGE	100g
20	72.0201.0	SCREW ST3 x10 COUNTER SUNK	3	65	S.02.0040.5/2	PLUMEAU ROUND 32MM NATUAL HAIR WITH BLIND RIVE	1	110	119.0026.357	AIR OUT AIR FRESHNER BOTTOM COVER	1
21	119.0079.8	HANGE FOR PAPER BAG HOLDER PLATE	1	66	119.0057.0	TIMER CONNECTING WIRES 24AWG WITH 2.54x2 CONNECTORS	1	S1	S.119.0022.357	FRONT DOOR ASSM	1
22	119.0095.0	SHAFT CLIP	2	67	119.0056.0	BETTERY SUPPLY WIRES, 14AWG	1	S2	P.119.0082.000	ESD HOSE WITH END AND O RING CLIP ASSM	1
23	14.0104.0	FRONT CASTOR SHAFT FIXING PLATE	3	68	119.0058.0	MAIN BOARD PCB I-MOVE 2.5B	1	S3	S.02.0024.1/000	ASSY HOSE WITH COPPER ENDS-ESD CONNECTING	1
24	00.0002.7	SCREW 4 X 10	3	69	119.0120.0	BEND HANDLE BELT HOLDER I-MOVE25B	1	S4	S.119.0036.357	MOTOR AND MOTOR HOUSING ASSM	1
25	121.0098.0	SCREW M4X16 CROSS FLAT HEAD MACHING THREAD SST	8	70	02.0038.0	C06 Hose EVA MAT	3	S5	S.119.0039.797	CONTROL BOX WITH CABLE ASSM	1
26	119.0084.36	METAL HOOK WITH PLATING SILVER	2	71	119.0111.0	COPPER END FOR HOSE ESD CONNECTING	2	S6	S.106.2059.0/797C	HARNESS WITH CONTROLBOX HOLDER BELT I-MOVE25B	1
27	119.0085.36	FIX PLATE WITH SCREW HOLES SILIVER	2	72	119.0114.0	INSERT BUSH FOR HOSE END ESD CONNECTING	2	S7	S.119.0081.0	WAND WITH HOLDER RING ASSM	1
28	119.0034.357	BACK PLATE	1	73	02.0029.8	CLICK RING 32MM	3	S8	S.119.0026.357	AIR FRESHER CARTRIDGE	1
29	119.0108.0	PLASTIC COVER FOR GX16 ROUND CONNECTOR	1	74	02.0024.1	HOSE STRETCH 50CM 32MM BLACK	1	S9	S.119.0001.3	I-POWER BATTERY, 14.4V, 8.7Ah, 4S3P GREY	1
30	119.0061.0	POWER OUTLET 18AWG 700MM	1	75	S.119.0080.0	BEND END AND HOLDER RING ASSM	1	S10	S.119.0100.X	I-CHARGER 5A-4X	1
31	72.0415.996	TIMER TRANSPARENT COVER	1	76	114.0021.000	Angle connector ESDPP 32mm	1	S11	S.119.0012.X	I-POWER8.7 SINGLE CHARGER WITH SPIRAL WIRE CABLE	1
32	119.0098.0	DC24V TIMER PCB WITH 2X TERMINAL I-MOVE2.5B	1	77	L.70.0017.000	LOGO PRINT + HOSE CONNECTOR DUPRO ESD	1				
33	00.0002.40	SCREW 3 X 6 STAINLESS STEEL	10	78	119.0107.0	HOSE CONNECTOR DUPRO ADDED RING	1				
34	106.1111.28	M4*12 FLAT HEAD SELF-TAPPING SCREW	2	79	119.0086.797	SILICON RUBBER FOR BEND WAND HOLDER RING	1				
35	119.0076.797	HOOK COVER FOR FRONT SHELL	1	80	20.0032.0	NUT M3 NYLON STAINLESS	3				
36	75.1020.0	M3.5X10 SCREW FLAT HEAD	3	81	119.0080.0	BEND WAND HOLDER RING	1				
37	119.0097.0	EVA SEAL FOR HOOK COVER	1	82	20.0033.0	SCREW M3 X 13 CROSSHEAD STAINLESS	3				
38	119.0074.8	PAPER BAG HOLDER PLATE	1	83	119.0031.8	PUSH BUTTON	1				
39	119.0096.0	SPRING FOR PAPER BAG HOLDEG	2	84	119.0022.357	FRONT DOOR	2				
40	119.0075.8	HOOK OF PAPER BAG HOLDER PLATE	1	85	119.0032.8	DOOR HOOKER	1				
41	119.0078.797	FITTING COVER FOR SPRING	2	86	119.0033.8	DOOR OPEN RELEASER	1				
42	119.0101.0	SPRING FOR PUSH BALL OF FRONT DOOR	2	87	113.0004.0	PAN HEAD SCREW M3X5	4				
43	119.0077.797	PUSH BALL FOR DOOR OPENING	2	88	119.0105.0	EVA FOMA FOR MOTOR TOP COVER	1				
44	119.0044.0	FILTER BOX I-MOVE2.5B	1	89	119.0035.357	MOTOR HOUSING COVER	1				
45	00.0002.3	SCREW ST4.25 X 16 FLANCH HEAD	4	90	119.0042.0	MOTOR TOPSIDE RUBBER I-MOVE 2.5B	1				

- Notes:
- The part no. in "X" is for different color, or different printing, or different contry (power cord), or different features for different regions.
 - The machine need power supply in 2x i-power 8.7 batteries. The Kit of battery and charger is provided according to customer order requirement, may not be in package, Please contact with the
 - Item S10, S11; there is an option: you can choose a charger with four batteries, or a charger for single battery. Please contact with the distributor.