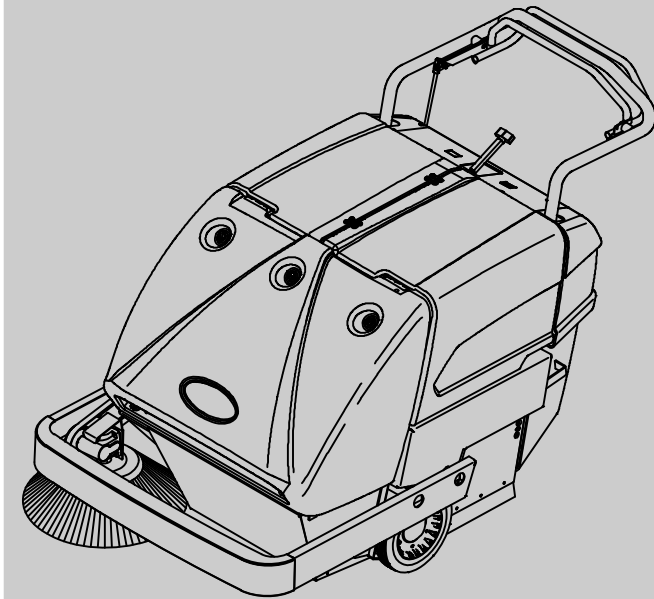
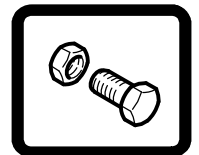




S10

(Electric)

Sweeper Parts Manual



CE
Global

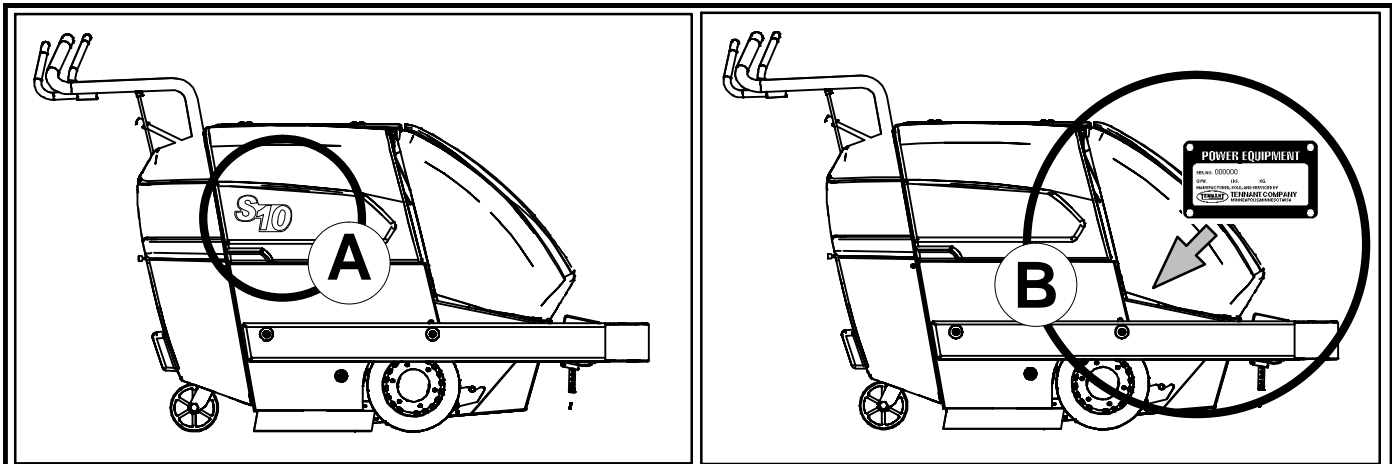


For the latest parts manual and other
language operator manual, visit:

www.tennantco.com/manuals

331581
Rev. 07 (2-2018)





Ref	Part No.	Serial Number	Description	Qty.
1	82681	(000000—)	Bracket Wldt, Lpg Mount	1
2	63810	(000000—)	Latch Assy, Lpg Tank Mtg, W/Nut	4
3	51839	(000000—)	Nut Adjustable, Lpg Tank Mtg	2
4	49263	(000000—)	Tie, Cable	3
5	82556	(000000—001039)	Bracket, Vaporizer	1
6	54930	(000000—)	Vaporizer, LPG	1

HOW TO ORDER PARTS – See diagram above

Only use TENNANT Company supplied or equivalent parts. Parts and supplies may be ordered online, by phone, by fax or by mail.

Follow the steps below to ensure prompt delivery.

1. **(A)** Identify the machine model.
2. **(B)** Identify the machine serial number from the data plate.
3. **(C)** Ensure the proper serial number is used from the parts list.
4. Identify the part number and quantity. Do not order by page or reference numbers.
5. Provide your name, company name, customer ID number, billing and shipping address, phone number and purchase order number.
6. Provide detail shipping instructions.

(D) ▽ – Identifies an assembly
▲ – Identifies parts included in assembly

EN

Please fill out at time of installation for future reference.

Model No. – _____

Serial No. – _____

Machine Options – _____

Sales Rep. – _____

Sales Rep. phone no. – _____

Customer ID Number – _____

Installation Date – _____

Tennant Company
 PO Box 1452
 Minneapolis, MN 55440
 Phone: (800) 553-8033
 www.tennantco.com

Tennant N.V.
 Industrielaan 6 5405 AB
 P.O. Box 6 5400 AA Uden –
 The Netherlands
 europe@tennantco.com
 www.tennantco.com

坦能清洁系统设备（上海）有限公司
 中国上海青浦漕盈路3777号1幢201712
 电话：86 21 6922 53333
 传真：86 21 69225151
 www.tennantco.com.cn

テナントカンパニー
 PO Box 1452
 Minneapolis, MN 55440
 電話番号：(800) 553-8033
 www.tennantco.com

Thermo-Sentry is a trademark of Tennant Company.

Specifications and parts are subject to change without notice.

Copyright © 2007, 2009, 2010, 2013, 2015, 2017, 2018 TENNANT Company, Printed in U.S.A.

GENERAL RECOMMENDED MAINTENANCE

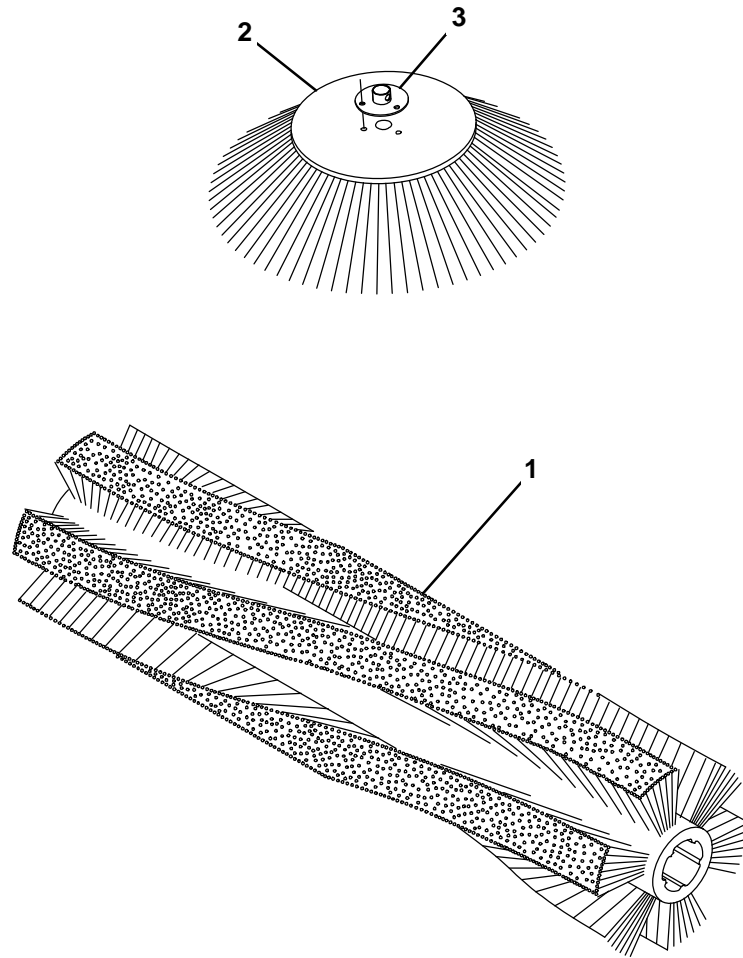
General Recommended Maintenance Items

Ref.	Part No.	Serial Number	Description	Qty.
	830013	(000000-) Assy, Lip Pan	1
	28072	(000000-) Skirt, Neo, .12, 03.00w 12.80l, 04/ SI	2
	830011	(000000-) Retainer, Skirt Lh, Side	1
	830012	(000000-) Retainer, Skirt, Rh, Side	1
	830010	(000000-) Retainer	1
	28277-1	(000000-) Seal, Rbr, Open, 0.19, 0.38w 19.2l	1
	28277-2	(000000-) Seal, Rbr, Open, 0.19, 0.38w 09.6l	1
	830223	(000000-) Retainer, Lip	1
	01119	(000000-) Belt, Flat, 1.25w X 33.50	1
	01120	(000000-) Belt, Flat, 1.25w X 38.80	1
	28714	(000000-) Belt, V, 34.5l, Spcl [3l]	1
	28168	(000000-) Belt, V [A-16, Hy-T]	1
	61411	(000000-) Chain, Rlr, #41, 075 Pitches	1
	28272	(000000-) Link, Chain, Rlr, #41	1
	28712	(000000-) Belt, V, 74.0l [3l]	1
	01064	(000000-) Seal, Rbr, Open, 0.50, 0.75w 92.0l Adh	1
	08157	(000000-) Seal, Lip, 90, 1.3w . Grip 054.0l	1
	1037206	(000000-) Filter, Panl, Dust, 2.2 X 16.0 X 26.0	1
	47069	(000000-) Seal, Rbr, Clsd, 1.00, 4.9d 03.9h	1
	60470	(000000-) Belt, V, 19.0l, Cogged [4l]	1
	16411	(000000-) Paint, Airdry, Off-White, 12oz (Not Europe)	1
	16412	(000000-) Paint, Airdry, Teal, 12oz, Solid (Not Europe)	1
	377540	(000000-) Paint, Airdry, Blk, 12oz (Not Europe)	1
	377538	(000000-) Paint, Airdry, Gray, 12oz (Not Europe)	1
	377537	(000000-) Paint, Airdry, Iron Gray, 12oz (Not Europe)	1
	28168	(000000-) Belt, V [A-16, Hy-T]	1

SECTION 2

Contents	Page
Fig. 1 – Brushes Group, Replacement	2-3
Fig. 2 – Main Frame Group	2-4
Fig. 3 – Motor and Sheaves Group	2-6
Fig. 4 – Wheel Group, Drive	2-8
Fig. 5 – Main Brush Drive Group	2-10
Fig. 6 – Main Brush Idler Group	2-12
Fig. 7 – Side Brush Group	2-14
Fig. 8 – Main Brush Lift Group	2-16
Fig. 9 – Battery and Charger Group	2-18
Fig. 10 – Instrument Panel Group	2-20
Fig. 11 – Directional Control and Handle Group	2-22
Fig. 12 – Hopper Group	2-24
Fig. 13 – Filter and Shaker Motor Group	2-26
Fig. 14 – Vacuum Fan Group	2-28
Fig. 15 – Covers Group	2-30
Fig. 16 – Electrical Schematic	2-32
Fig. 18 – Label Group	2-34
Fig. 19 – Label Group (European Only)	2-35
Fig. 20 – Documentation Group	2-36

Fig. 1 – Brushes Group, Replacement



354573- S10

Ref.	Part No.	Serial Number	Description	Qty.
1	28002	(000000-)	Brush, Swp, 26l, 6 Dr, Umx Wire	1
1	28006	(000000-)	Brush, Swp, 26l, 6 Dr, Umx	1
1	28006N	(000000-)	Brush, Swp, 26l, 6 Dr, Nylon	1
1	28007P	(000000-)	Brush, Swp, 26l, 6 Dr, Polypropylene	1
1	28172	(000000-)	Brush, Swp, 26l, 18 Sr, Umx	1
1	28235	(000000-)	Brush, Swp, 26l, 18 Sr, Umx Wire	1
▽	2	28096P	(000000-) Brush Assy, Disk, Swp, 15.0 D, Polypropylene	1
▲	3	45154	(000000-) Hub, Drive, Brush, Side, 0.6b 01.75 Bc	1
▽	2	28096N	(000000-) Brush Assy, Disk, Swp, 15.0 D, Nyl	1
▲	3	45154	(000000-) Hub, Drive, Brush, Side, 0.6b 01.75 Bc	1

Fig. 2 - Main Frame Group

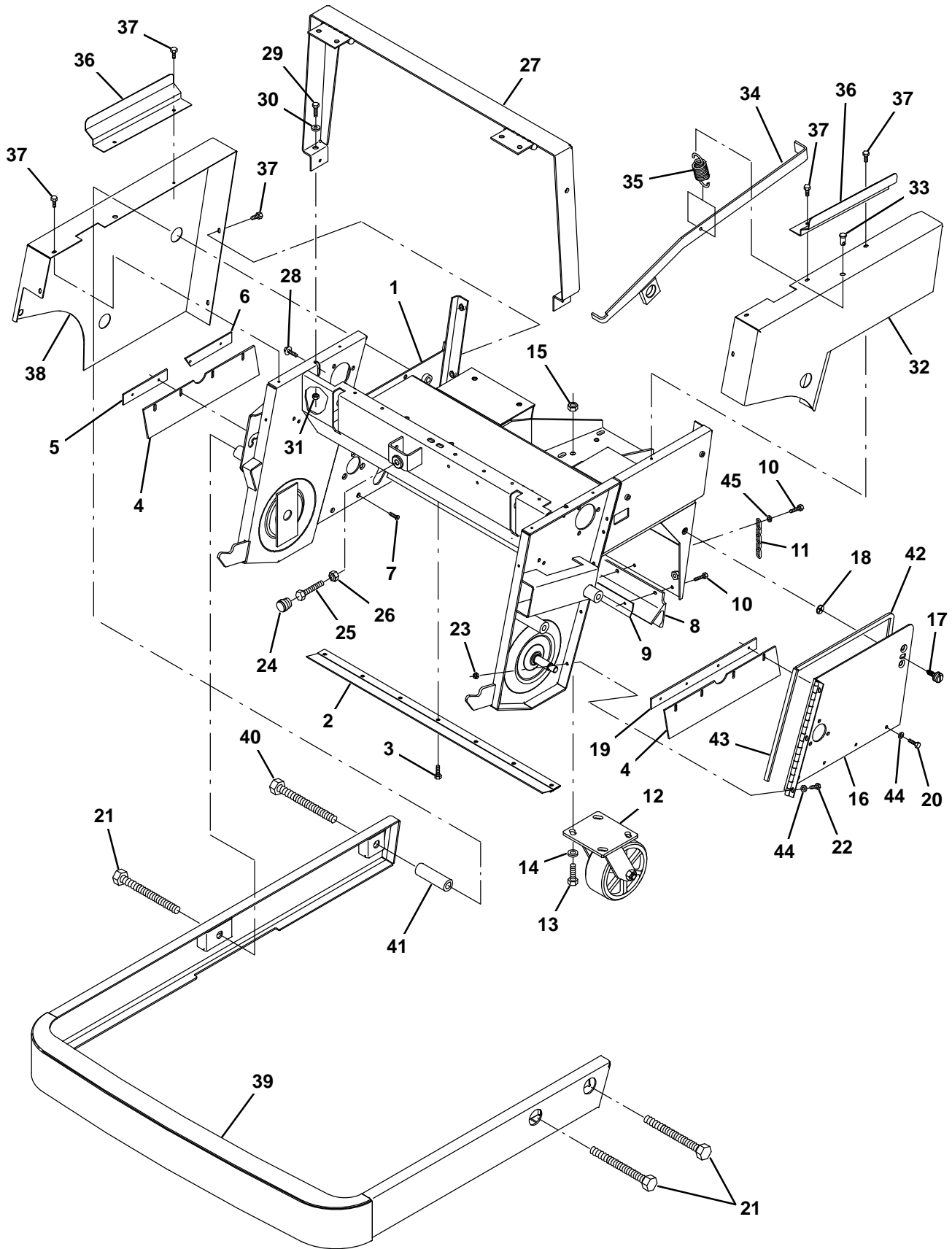


Fig. 2 - Main Frame Group

Ref.	Part No.	Serial Number	Description	Qty.
1	830420	(000000-) Frame Wldt, Main	1
2	830013	(000000-) Assy, Lip Pan	1
3	223198	(000000-) Screw, Hex, M5 X 0.8 X 10, Fmg	7
4	28072	(000000-) Skirt, Neo, .12, 03.00w 12.80l, 04/ SI	2
5	830011	(000000-) Retainer, Skirt Lh, Side	1
6	830012	(000000-) Retainer, Skirt, Rh, Side	1
7	360826	(000000-) Screw, Flt, M5 X 0.8 X 12, 10.9	4
8	08057	(000000-) Skirt, Neo, .19, 02.88w 27.38l, 07/ SI	1
9	830029	(000000-) Retainer, Rear Seal	1
10	24592	(000000-) Screw, Hex, #10-24 X 0.75, Fmg	7
11	1070113	(000000-) Chain, Sash, #35, 03.5L 06 Link	1
12	222467	(000000-) Caster, Swivel, 5.0d 2.0w, 4hole, Gray	1
13	09010	(000000-) Screw, Hex, M8 X 1.25 X 25, Ss	4
14	32491	(000000-) Washer, Flat, 0.31, Std	4
15	07791	(000000-) Nut, Hex, Flng, M8 X 1.25	4
16	830006	(000000-) Assy, Door [Mantis]	1
17	29982	(000000-) Knob Assy, Rnd, 1.38d .31-06 1.0l, Metal	1
18	08156	(000000-) Retainer, Screw	1
19	830010	(000000-) Retainer	1
20	09738	(000000-) Screw, Hex, M5 X 0.8 X 12, Ss	4
21	41345	(000000-) Screw, Hex, M12 X 1.75 X 25, 8.8	3
22	09738	(000000-) Screw, Hex, M5 X 0.8 X 12, Ss	3
23	06549	(000000-) Nut, Hex, Lock, M5 X 0.80, NI	3
24	01318	(000000-) Tip, Rbr, 0.94d 0.59b 0.88l	1
25	763121	(000000-) Screw, Hex, M10 X 1.5 X 60, FI	1
26	39312	(000000-) Nut, Hex, Std, M10 X 1.50	1
27	830034	(000000-) Lintel Weldmt	1
28	361339	(000000-) Screw, Hex, M6 X 1.0 X 16, Fmg	2
29	06942	(000000-) Screw, Hex, M6 X 1.0 X 16, 8.8	2
30	32483	(000000-) Washer, Flat, 0.25, Sae	2
31	07790	(000000-) Nut, Hex, Flng, M6 X 1.00	2
32	830030	(000000-) Cover, Wldt Lh	1
33	41305	(000000-) Pin, Clevis, 0.37d X 0.75l	1
34	830031	(000000-) Lever Wldt, Brake	1
35	09480	(000000-) Spring, Extn, 1.10od 0.15wir 03.2l	1
36	830072	(000000-) Angle, Stop	2
37	01708	(000000-) Screw, Hex, #10-24 X 0.50, Tcut	12
38	830000	(000000-) Cover, Right Side	1
39	1075194	(000000-) Bumper Wldt [S10 Overlap]	1
40	06976	(000000-) Screw, Hex, M12 X 1.75 X 100, 8.8	3
41	830027	(000000-) Tube	1
42	28277-1	(000000-) Seal, Rbr, Open, 0.19, 0.38w 19.2l	1
43	28277-2	(000000-) Seal, Rbr, Open, 0.19, 0.38w 09.6l	1
44	01683	(000000-) Washer, Flat, 0.22b 0.50d .05, Ss [#10]	6
45	41139	(000000-) Washer, Lock, Int-Ext, 10	1

Fig. 3 - Motor and Sheaves Group

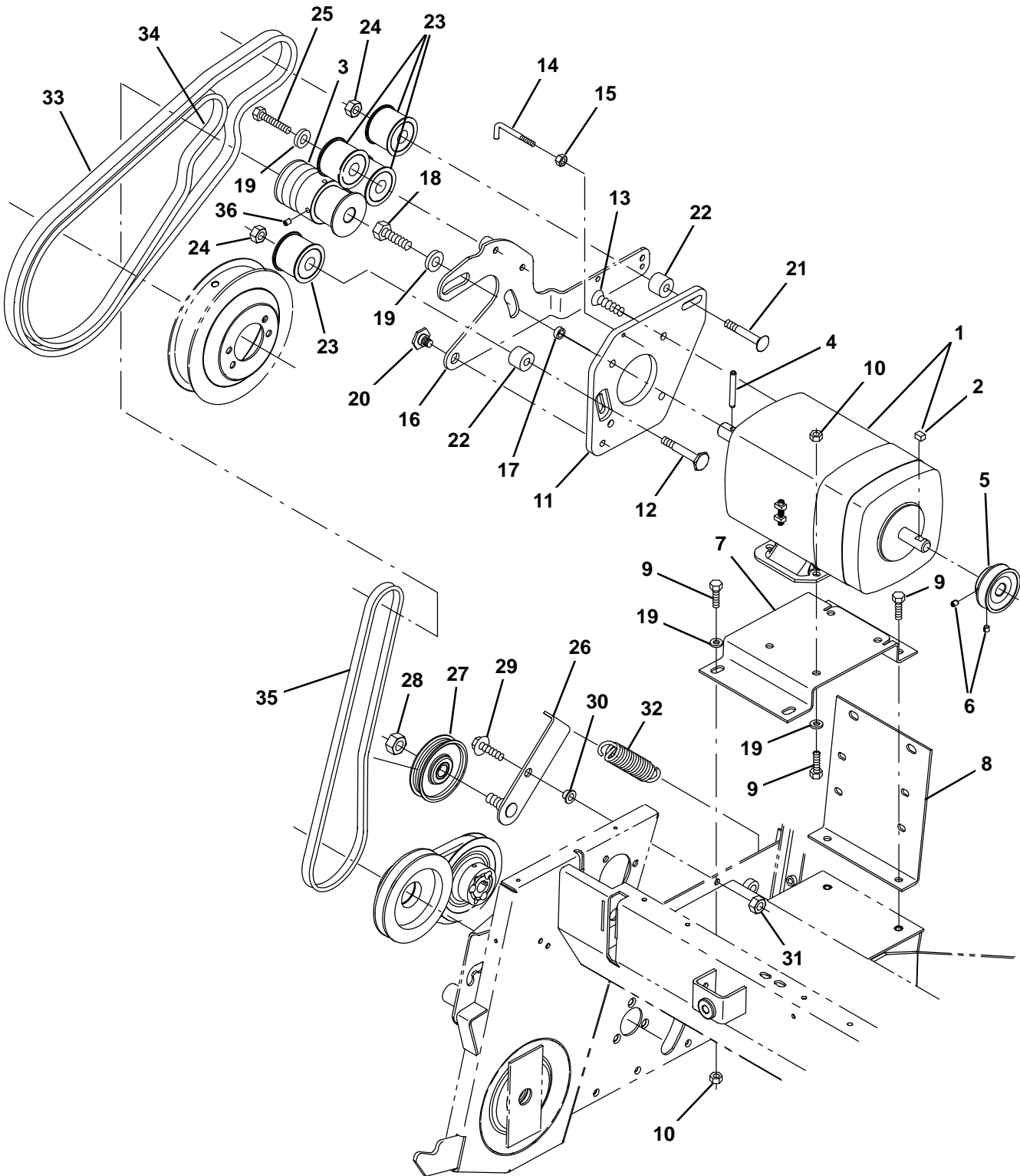


Fig. 3 - Motor and Sheaves Group

	Ref.	Part No.	Serial Number	Description	Qty.
▽	1	01192	(000000-007544)	Motor, Ele, 24vdc 2000rpm 1.00hp 40.0a	1
▲	2	00500-4	(000000-007544)	Key, Woodruff, 0.12 0.50 [Asa#0404]	1
▽	1	1042655	(007545-	Motor, Ele, 24vdc 2000rpm 1.00hp 40.0a	1
▲	2	00500-4	(007545-	Key, Woodruff, 0.12 0.50 [Asa#0404]	1
	3	830059	(000000-	Sheave, Combination	1
	4	11398	(000000-	Pin, Roll, .250d X 2.00l, .250/.256	1
	5	1060349	(000000-	Sheave, 1Grv, 3.045Pd 0.63B [4L]	1
	6	46820	(000000-	Screw, Set, .31-18 X 0.38, NI	2
	7	830093	(000000-	Bracket, Motor Mount	1
	8	830099	(000000-	Support, Battery Tray	1
	9	16931	(000000-	Screw, Hex, M8 X 1.25 X 20, 8.8	8
	10	08709	(000000-	Nut, Hex, Lock, M8 X 1.25, NI	6
	11	1038292	(000000-	Plate, Directional, Pivot, Machined	1
	12	30205	(000000-	Screw, Level .38-16 X 2.50	1
	13	48996	(000000-	Screw, Flt, .38-16 X 0.75, AI	2
	14	830060	(000000-	Retainer, Belt	1
	15	07785	(000000-	Nut, Hex, Std, M6 X 1.00, A2, Ss	1
	16	1037475	(000000-	Lever Wldt, Direction Control	1
	17	12955	(000000-	Tube, 0.38ld, 0.56Od, 00.2L, Stl, PI	2
	18	21197	(000000-	Screw, Hex, .38-16 X 1.00, G5	2
	19	32491	(000000-	Washer, Flat, 0.31, Std	12
	20	01112	(000000-	Bolt, .38-16, Pivot, Dir Cntrl	1
	21	01150	(000000-	Bolt, Carriage, .38-16 X 2.50, 5	1
	22	830055	(000000-	Spacer, Directional Plate	2
	23	01199	(000000-	Sheave, Flat, 1.8d 1.38w 0.67b	4
	24	50902	(000000-	Nut, Hex, Lock, .38-16, NI	2
	25	21198	(000000-	Screw, Hex, .38-16 X 1.25, G5	2
	26	830153	(000000-	Arm, Shaft Assy, Idler	1
	27	830156	(000000-	Pulley, Assy	1
	28	08711	(000000-	Nut, Hex, Lock, M12 X 1.75, NI	1
	29	16931	(000000-	Screw, Hex, M8 X 1.25 X 20, 8.8	1
	30	830154	(000000-	Retainer	1
	31	08709	(000000-	Nut, Hex, Lock, M8 X 1.25, NI	1
	32	26212	(000000-	Spring, Extn, 0.62od 0.07wir 04.0l	1
	33	01120	(000000-	Belt, Flat, 1.25w X 38.80	1
	34	01119	(000000-	Belt, Flat, 1.25w X 33.50	1
	35	28714	(000000-	Belt, V, 34.5l, Spcl [3l]	1
	36	09162	(007621-	Screw, Set, Soc, M6 X 1.00 X 8, NI	2

Fig. 4 – Wheel Group, Drive

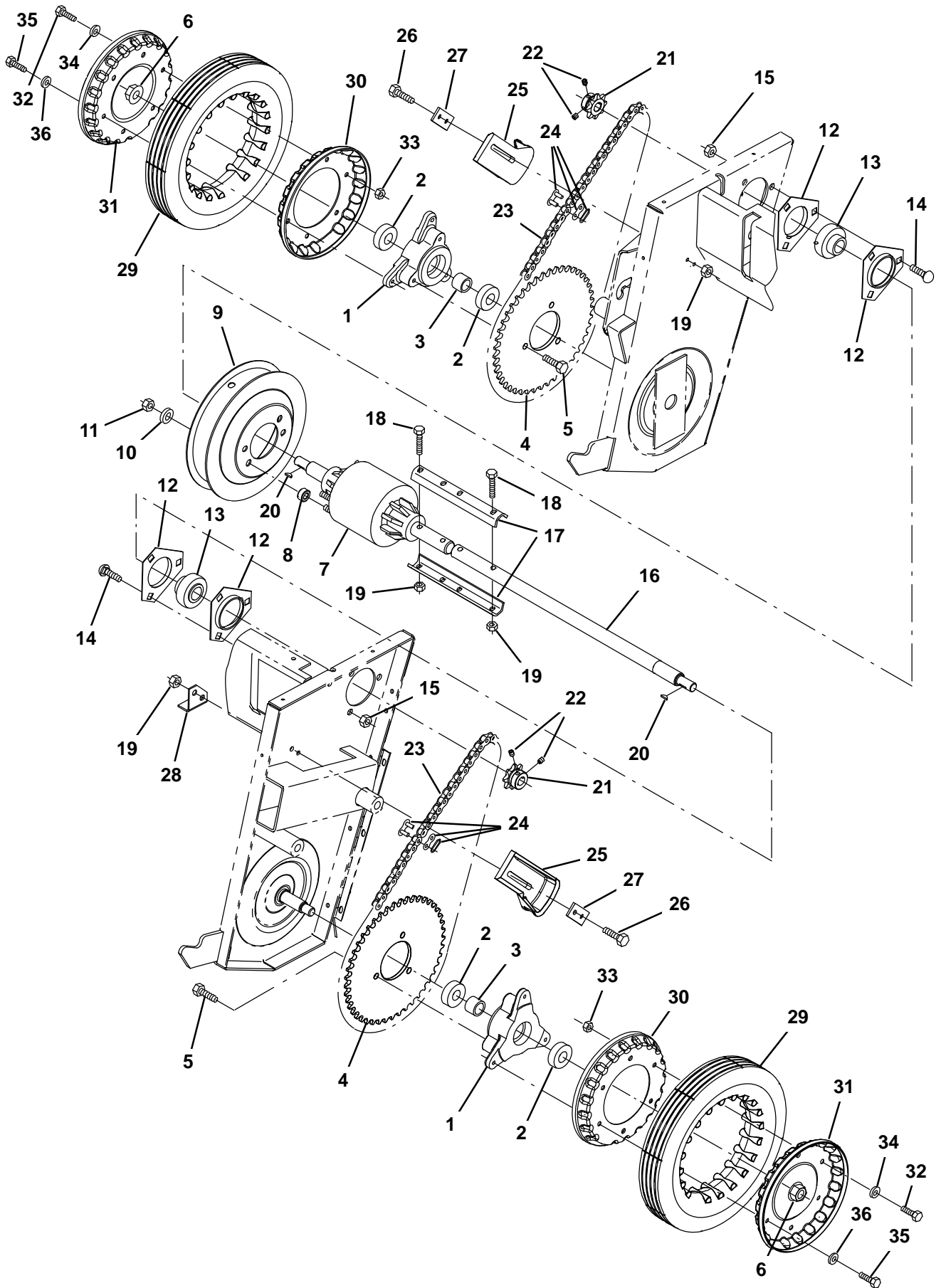


Fig. 4 - Wheel Group, Drive

Ref.	Part No.	Serial Number	Description	Qty.
1	830206	(000000-) Hub, Wheel, Machined	2
2	830350	(000000-) Bearing, Ball	4
3	830207	(000000-) Sleeve	2
4	28865	(000000-) Sprocket, #41, 45tooth, 2.250b	2
5	361339	(000000-) Screw, Hex, M6 X 1.0 X 16, Fmg	6
6	08711	(000000-) Nut, Hex, Lock, M12 X 1.75, NI	2
7	61290	(000000-) Differential	1
8	830214	(000000-) Sleeve	4
9	30147	(000000-) Sheave, Flat, 6.8d 1.42w 2.12b	1
10	39349	(000000-) Washer, Flat, 0.31, Sae	4
11	01760	(000000-) Nut, Hex, Lock, .31-18, NI, Thin	4
12	51137	(000000-) Flange, Brg, 1.8id 3h	4
13	25887	(000000-) Bearing, W/ Collar, 0.75b 1.85d 1.06w	2
14	24597	(000000-) Bolt, Carriage, .31-18 X 0.75	6
15	32983	(000000-) Nut, Hex, Lock, .31-18, NI	6
16	830196	(000000-) Countershaft	1
17	830210	(000000-) Coupling, Half	2
18	06946	(000000-) Screw, Hex, M6 X 1.0 X 35, 8.8	4
19	08708	(000000-) Nut, Hex, Lock, M6 X 1.00, NI	8
20	00500-1	(000000-) Key, Woodruff, 0.09 0.50 [Asa#0304]	2
21	30174	(000000-) Sprocket, #41, 08tooth, 0.50b	2
22	57496	(000000-) Screw, Set, .25-20 X 0.31, NI	4
23	61411	(000000-) Chain, Rlr, #41, 075 Pitches	2
24	28272	(000000-) Link, Chain, Rlr, #41	2
25	08142	(000000-) Guide, Chain, Drive, Wheel	2
26	06944	(000000-) Screw, Hex, M6 X 1.0 X 25, 8.8	4
27	830491	(000000-) Plate, Chain Guide	2
28	830230	(000000-) Angle, Stop	1
▽	9004024	(000000-) Wheel Assy [S10]	2
▲	29 28546	(000000-) Tire, 10.0x2.00 [Ehs]	1
▲	30 830197	(000000-) Rim, Half, 06.5 X 0.50 4.5bc/6bolt Inner	1
▲	31 830205	(000000-) Rim, Half, 06.5 X 0.50 4.5bc/6bolt Outer	1
▲	32 15678	(000000-) Screw, Hex, M6 X 1.00 X 16, Ss	3
▲	33 08708	(000000-) Nut, Hex, Lock, M6 X 1.00, NI	3
▲	34 01684	(000000-) Washer, Flat, 0.27b 0.69d .05, Ss	3
35	11329	(000000-) Screw, Hex, M6 X 1.0 X 16, Ss, NI	6
36	01684	(000000-) Washer, Flat, 0.27b 0.69d .05, Ss	6

Fig. 5 - Main Brush Drive Group

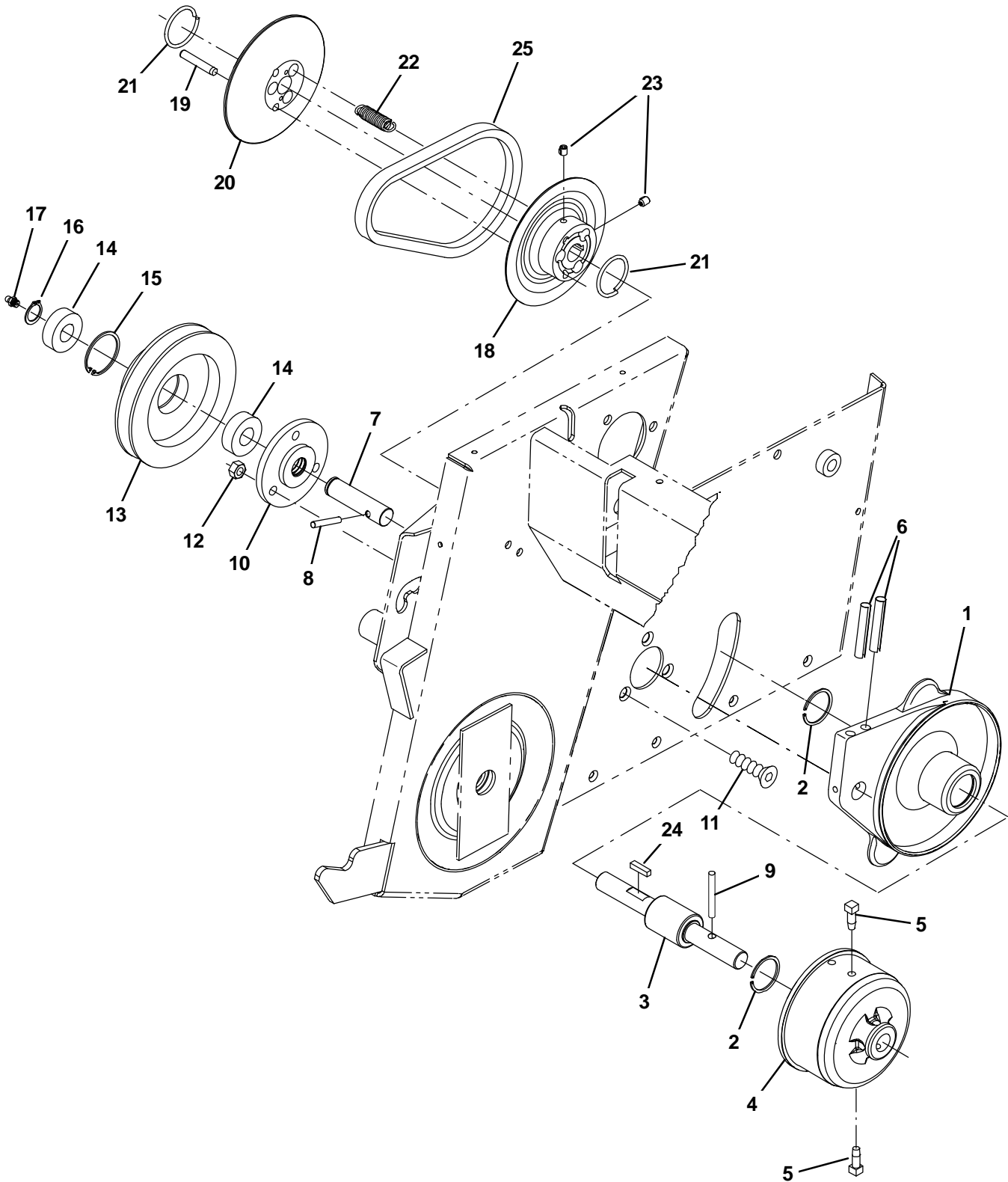


Fig. 5 - Main Brush Drive Group

Ref.	Part No.	Serial Number	Description	Qty.
1	830345	(000000-) Arm, Drive, Brush, Machining	1
2	23217	(000000-) Ring, Retaining, Int, 1.18d, [Inverted]	2
3	28867	(000000-) Bearing, W/ Shaft, 1.18d 6.3l 0.63	1
4	830342	(000000-) Plug, Drive, Brush	1
5	830343	(000000-) Pin	4
6	20050	(000000-) Pin, Roll, .312d X 1.87l, .312/.318	2
7	830149	(000000-) Shaft, Long	1
8	26103	(000000-) Pin, Roll, .187d X 1.25l, .187/.192	1
9	26239	(000000-) Pin, Roll, .250d X 1.25l, .250/.256	1
10	830135	(000000-) Bushing	1
11	09062	(000000-) Screw, Flt, Soc, M6 X 1.00 X 16, 10.9	3
12	07785	(000000-) Nut, Hex, Std, M6 X 1.00, Ss	3
13	830346	(000000-) Sheave, Idler, Brush, Drive, Machining	1
14	830350	(000000-) Bearing, Ball	2
15	01513	(000000-) Ring, Retaining, Int, 1.38d, Basic	1
16	18136	(000000-) Ring, Retaining, Ext, 0.62d, Basic	1
17	830132	(000000-) Fitting, Grease, Str 6mm	1
▽	9004025	(000000-) Sheave Assy, Drive, Brush [S10]	1
▲	18 830163	(000000-) Sheave Half, Inner, Machining	1
▲	19 18276	(000000-) Pin, Dowel, 0.2502d X 1.50l	2
▲	20 830353	(000000-) Sheave, Half, Outer	1
▲	21 28388	(000000-) Retainer	2
▲	22 28387	(000000-) Spring, Extn, 0.41od 0.07wir 01.6l	3
▲	23 09162	(000000-) Screw, Set, M6 X 1.0 X 8, NI	2
24	00911	(000000-) Key, Sq, 0.19 X 0.19, 0.75l	1
25	28168	(000000-) Belt, V [A-16, Hy-T]	1

Fig. 6 - Main Brush Idler Group

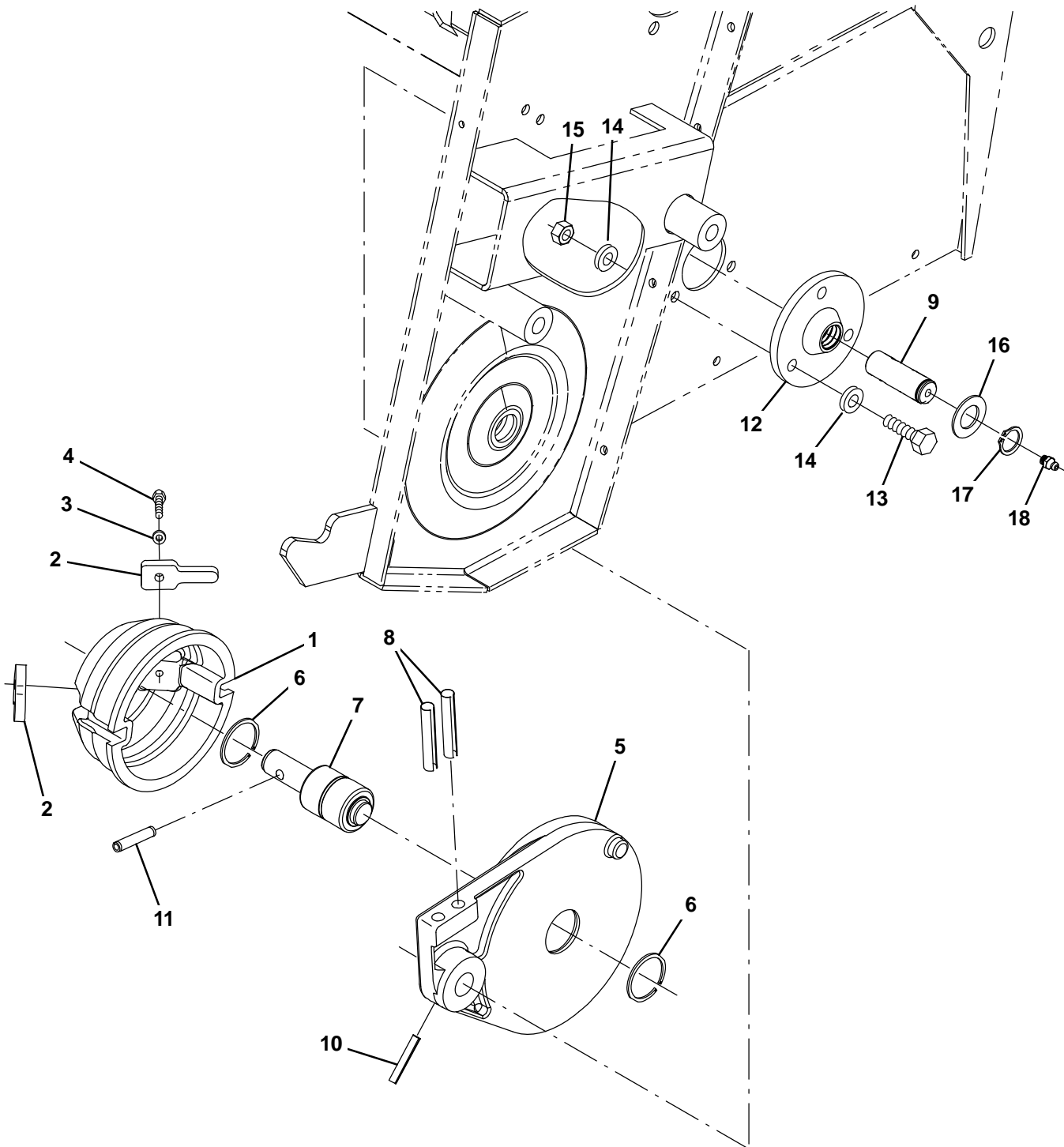


Fig. 6 - Main Brush Idler Group

Ref.	Part No.	Serial Number	Description	Qty.
1	830142	(000000-) Plug, Idler, Brush, Machining	1
2	28852	(000000-) Finger	2
3	19066	(000000-) Washer, Flat, 10	2
4	12312	(000000-) Screw, Hex, M5 X 0.8 X 12, 8.8	2
5	830137	(000000-) Arm	1
6	23217	(000000-) Ring, Retaining, Int, 1.18d, [Inverted]	2
7	28868	(000000-) Bearing, W/ Shaft, 1.18d 3.3l 0.63	1
8	20050	(000000-) Pin, Roll, .312d X 1.87l, .312/.318	2
9	830136	(000000-) Shaft, Short	1
10	26103	(000000-) Pin, Roll, .187d X 1.25l, .187/.192	1
11	26239	(000000-) Pin, Roll, .250d X 1.25l, .250/.256	1
12	830135	(000000-) Bushing	1
13	06943	(000000-) Screw, Hex, M6 X 1.0 X 20, 8.8	3
14	01684	(000000-) Washer, Flat, 0.27b 0.69d .05, Ss	6
15	08708	(000000-) Nut, Hex, Lock, M6 X 1.00, NI	3
16	28862	(000000-) Washer, Thrust, 0.63b 1.12d 0.06[Toring]	1
17	18136	(000000-) Ring, Retaining, Ext, 0.62d, Basic	1
18	830132	(000000-) Fitting, Grease, Str 6mm	1

Fig. 7 - Side Brush Group

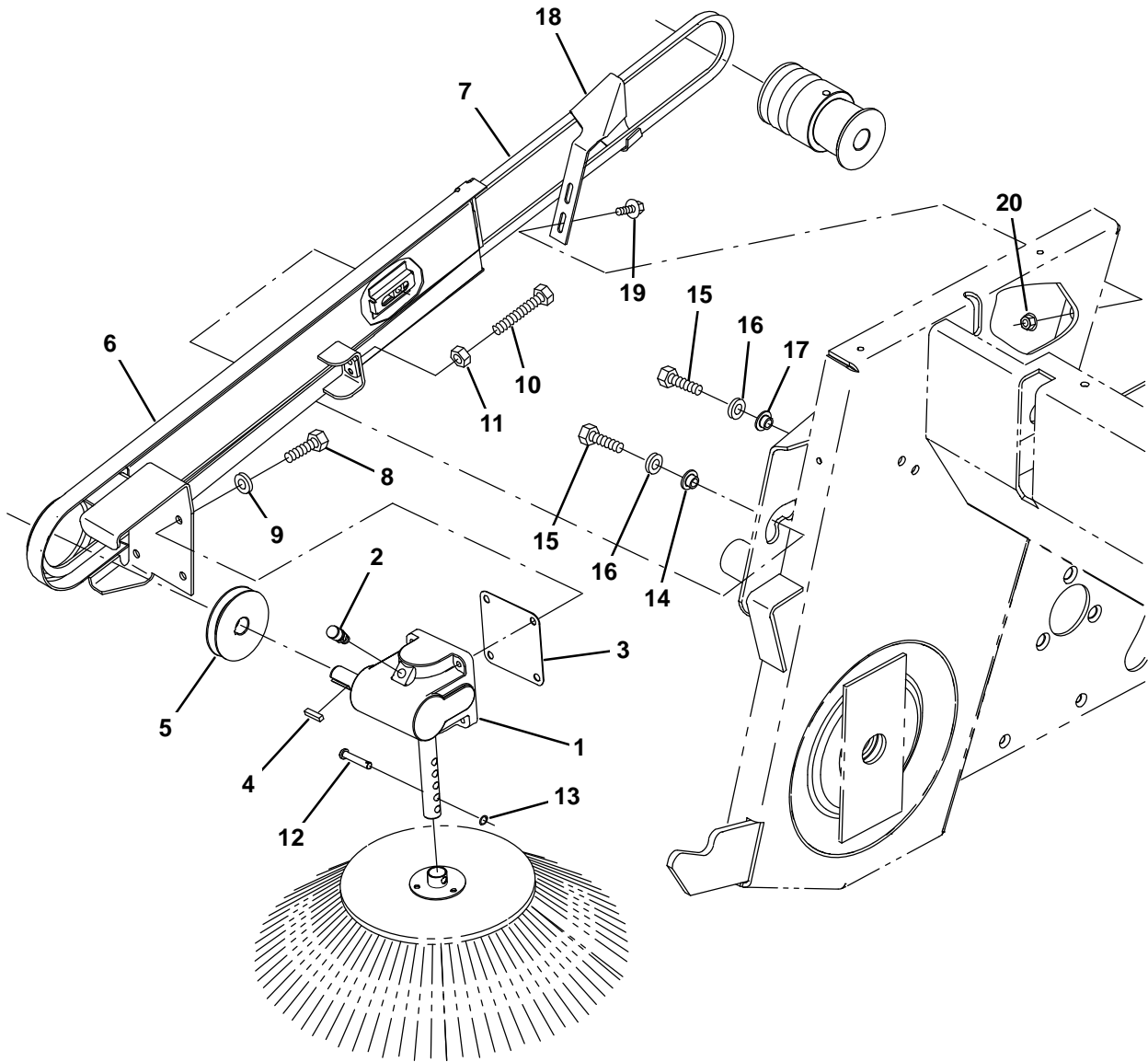


Fig. 7 - Side Brush Group

Ref.	Part No.	Serial Number	Description	Qty.
▽	9004027	(000000-) Gearbox Kit, Brush, Side [S10]	1
▲▽	1 1044996	(000000-) Gearbox, Reducer	1
▲▲	2 1045005	(000000-) Breather, Hyd, 0.12npt	1
▲	3 28078	(000000-) Gasket	1
	4 00911	(000000-) Key, Sq, 0.19 X 0.19, 0.75l	1
	5 28121	(000000-) Sheave, 01grv, 02.5pd 0.62b [3l]	1
	6 830171	(000000-) Arm Wldt, Sppt, Brush, Side	1
	7 28712	(000000-) Belt, V, 74.0l [3l]	1
	8 11329	(000000-) Screw, Hex, M6 X 1.0 X 16, Ss, NI	4
	9 01684	(000000-) Washer, Flat, 0.27b 0.69d .05, Ss	4
	10 33401	(000000-) Screw, Hex, M8 X 1.25 X 50, Ss, FI	1
	11 07786	(000000-) Nut, Hex, Std, M8 X 1.25, Ss	1
	12 15173	(000000-) Pin, Clevis, 0.25d X 1.25l	1
	13 08085	(000000-) Pin, Cotter, Hair, 0.31D .058 Wir	1
	14 830154	(000000-) Retainer	1
	15 09740	(000000-) Screw, Hex, M8 X 1.25 X 20, Ss	2
	16 32490	(000000-) Washer, Flat, 0.25, Std	2
	17 1042573	(000000-) Retainer	1
	18 830161	(000000-) Guide, Belt	1
	19 09244	(000000-) Screw, Hex, M5 X 0.80 X 16, 8.8	2
	20 07789	(000000-) Nut, Hex, Flng, M5 X 0.80	2

Fig. 8 - Main Brush Lift Group

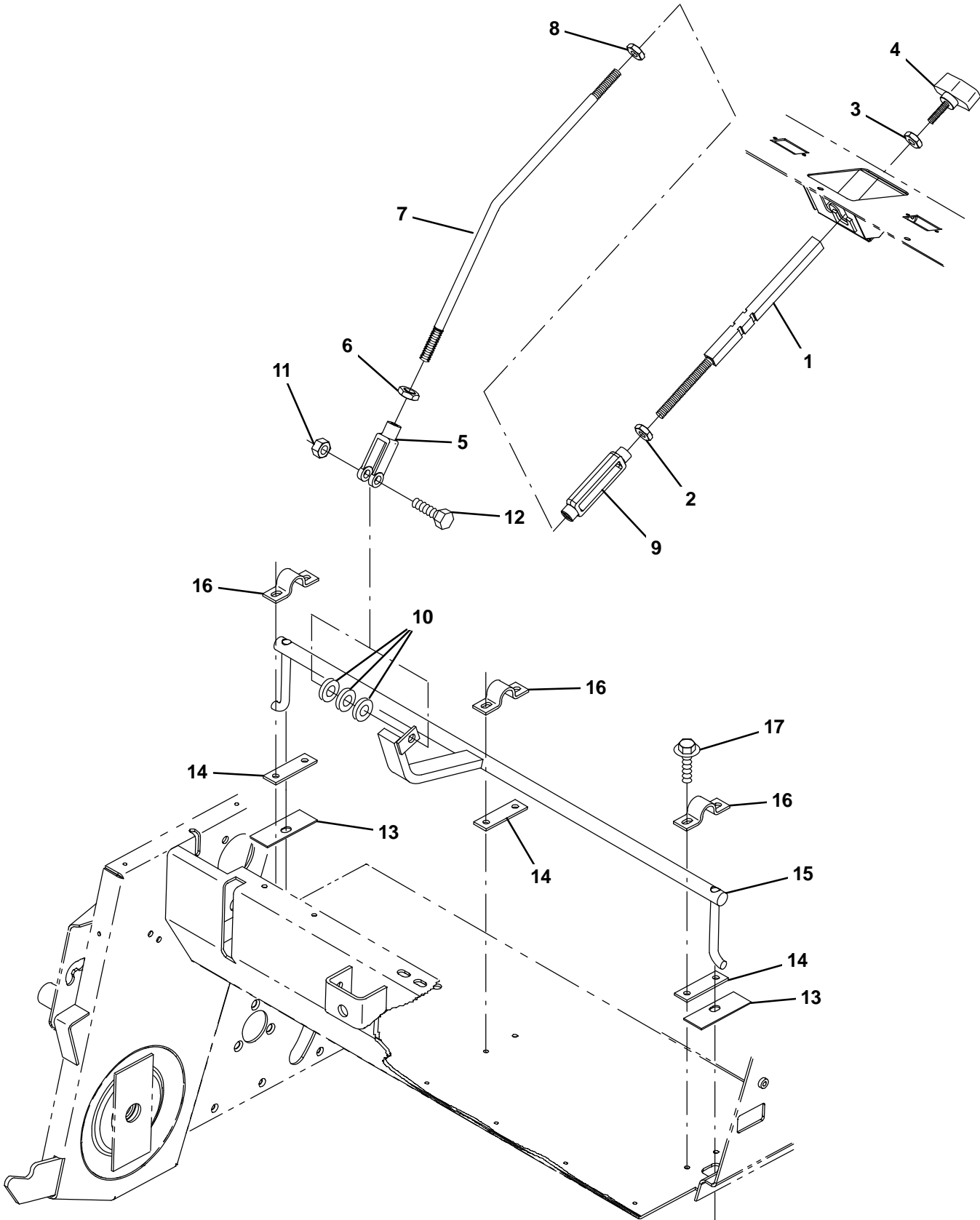


Fig. 8 - Main Brush Lift Group

Ref.	Part No.	Serial Number	Description	Qty.
1	830123	(000000-) Handle, Brush Lift	1
2	25014	(000000-) Nut, Hex, Std, .38-16	1
3	32520	(000000-) Nut, Hex, Jam, .25-20	1
4	01139	(000000-) Handle, Tee	1
5	14330	(000000-) Yoke,End,Adjustable	1
6	43954	(000000-) Nut, Hex, Std, .38-24	1
7	830126	(000000-) Rod, Brush Lift	1
8	39562	(000000-) Nut, Hex, Jam, .38-16, Lh	1
9	40352	(000000-) Turnbuckle, Body, .38thread, 03.9l	1
10	32491	(000000-) Washer, Flat, 0.31, Std	4
11	08709	(000000-) Nut, Hex, Lock, M8 X 1.25, NI	1
12	06955	(000000-) Screw, Hex, M8 X 1.25 X 35, 8.8	1
13	29005	(000000-) Seal	2
14	830129	(000000-) Strip	3
15	830131	(000000-) Shaft Wldmt, Brush Lift	1
16	830128	(000000-) Clamp, Conduit	3
17	361339	(000000-) Screw, Hex, M6 X 1.0 X 16, Fmg	6

Fig. 9 - Battery and Charger Group

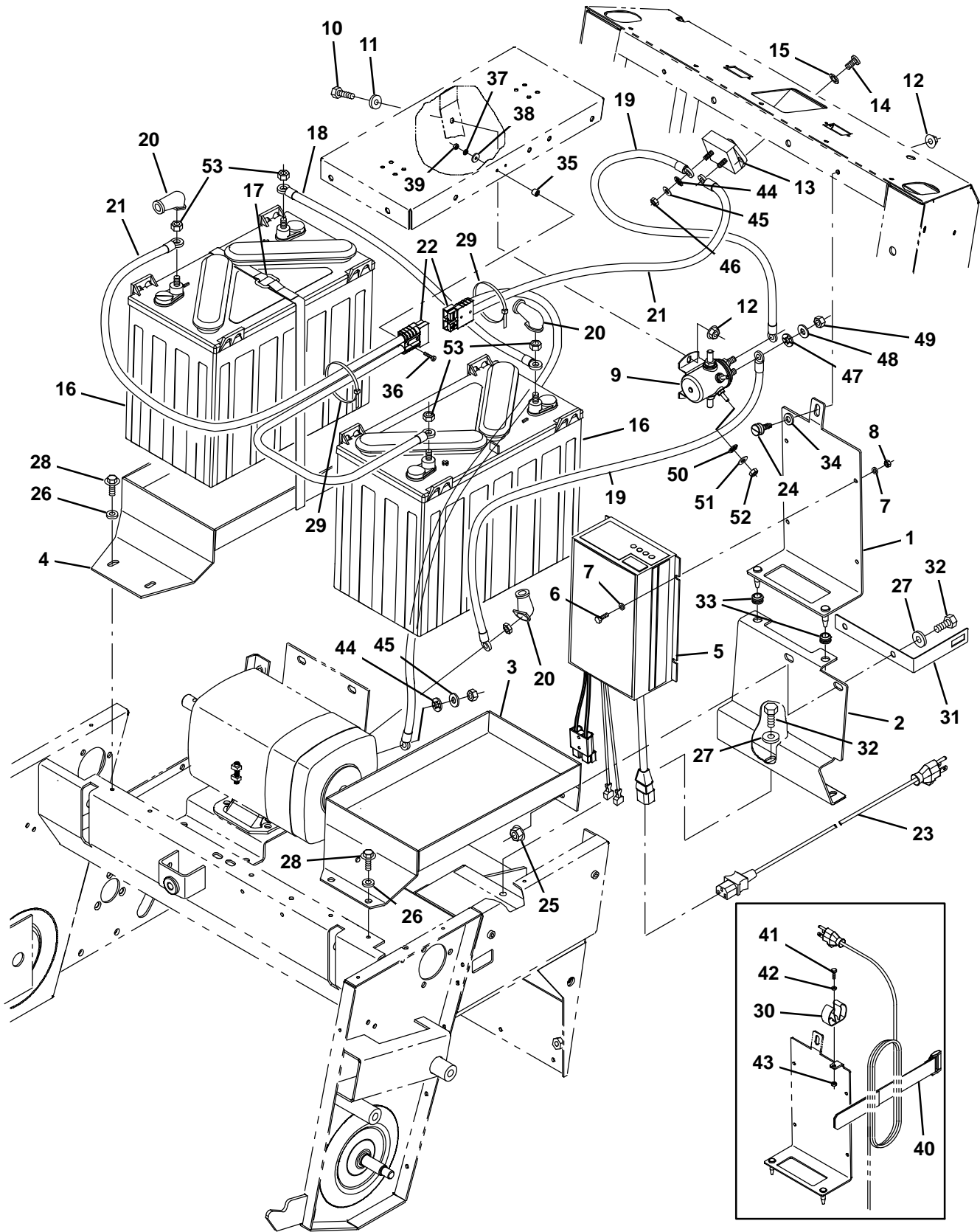


Fig. 9 – Battery and Charger Group

Ref.	Part No.	Serial Number	Description	Qty.	
1	1041904	(000000–)	Bracket, Charger, Battery	1	
2	1041538	(000000–)	Bracket, Charger	1	
3	830090	(000000–)	Tray Wldt, Batt Lh	1	
4	830094	(000000–)	Tray Wldt, Batt Rh	1	
5	1073625	(000000–)	Charger, 24Vdc 11A 100/240Vac 50/60Hz	1	
6	09228	(000000–)	Screw, Hex, M4 X 0.70 X 20, 8.8	4	
7	41578	(000000–)	Washer, Flat, #06, Ss	8	
8	33932	(000000–)	Nut, Hex, Lock, M4 X 0.70, NI, Ss	4	
9	1039471	(000000–)	Contacto, 24vdc, 60a, Spno	1	
10	06943	(000000–)	Screw, Hex, M6 X 1.0 X 20, 8.8	2	
11	41185	(000000–)	Washer, Flat, Belleville, .25	2	
12	07790	(000000–)	Nut, Hex, Flng, M6 X 1.00	4	
13	375120	(000000–)	Circuitbreaker, 60.0a [Resetable]	1	
14	140841	(000000–)	Screw, Pan, #10–32 X 0.62, Phl, Ss	2	
15	07514	(000000–)	Washer, Lock, Int, #10, Ss	2	
16	1015046	(000000–)	Battery, Wet, 12Vdc 0155Ah	2	
16	1041455	(000000–)	Battery, 12Vdc 0125Ah [5H, J150Eaps] (Europe Only)	2	
16	994201	(000000–)	Battery, 12Vdc 0105Ah [5H, Gf12105] (Europe Only)	2	
16	1214515	(000000–)	Battery, Wet, 12vdc, 120ah	2	
17	378764	(000000–)	Strap	2	
18	86421	(000000–)	Cable, 06ga 27.0l Blk .34ring /.34ring	1	
19	01094	(000000–)	Cable, 06ga 12.0l Blk .38ring /.38ring	2	
20	02076	(000000–)	Boot, 90deg .50id .57id X .84id 1.0l,Blk	3	
▽	21	49443	(000000–)	Harness, Cable, Battery	2
▲	22	49548	(000000–)	Connector, Anderson, 50a, Red	1
23	1025642	(000000–)	Cord, Power, 16/3, 4.5 Meters, Blk [Us]	1	
23	1032820	(000000–)	Cord, Power, Blk [4.5Meter, Uk]	1	
23	1032849	(000000–)	Cord, Power, Blk [4.5Meter, Ce]	1	
24	29982	(000000–)	Knob Assy, Rnd, 1.38d .31–06 1.0l, Metal	1	
25	07791	(000000–)	Nut, Hex, Flng, M8 X 1.25	4	
26	32483	(000000–)	Washer, Flat, 0.25, Sae	4	
27	32491	(000000–)	Washer, Flat, 0.31, Std	4	
28	361339	(000000–)	Screw, Hex, M6 X 1.0 X 16, Fmg	4	
29	130773	(000000–)	Tie, Cable, Nyl, 11.0l, .14w, 3.0 Max. D	11	
30	1014295	(000000–007670)	Clip, Grip, Hose, 0.75–1.12, Blk Vyl,Stl	1	
31	1040860	(000000–)	Bracket, Holder, Fuse	1	
32	16931	(000000–)	Screw, Hex, M8 X 1.25 X 20, 8.8	6	
33	10632–12	(000000–)	Grommet, Rbr, 0.38id, F/0.5h, .12 Matl	2	
34	1016331	(000000–)	Washer, Flat, 0.34b 1.25d .11, Ss	1	
35	1042370	(000000–)	Tube, 0.16id 0.38od 00.3l, Ss	2	
36	06924	(000000–)	Screw, Pan, Phl, M3 X 0.50 X 30, 4.8	2	
37	39658	(000000–)	Washer, Lock, Int, 04	2	
38	41578	(000000–)	Washer, Flat, 06, Ss	2	
39	07807	(000000–)	Nut, Hex, Std, M3 X 0.50, A2, Ss	2	
40	1049343	(007539–007670)	Strap, Cable	1	
41	09206	(000000–007670)	Screw, Hex, M4 X 0.70 X 12, 8.8	1	
42	41578	(000000–007670)	Washer, Flat, 06, Ss	1	
43	33932	(000000–007670)	Nut, Hex, Lock, M4 X 0.70, NI, Ss	1	
44	32982	(000000–)	Washer, Lock, Int, 0.25	4	
45	19066	(000000–)	Washer, Flat, 0.25b 0.56d .05, Pl, 10	4	

Fig. 9 – Battery and Charger Group

Ref.	Part No.	Serial Number	Description	Qty.
46	01714	(000000–) Nut, Hex, Std, .25–28	2
47	32984	(000000–) Washer, Lock, Int, 0.31	2
48	39349	(000000–) Washer, Flat, 0.31, Sae	2
49	20170	(000000–) Nut, Hex, Jam, .31–24	2
50	32980	(000000–) Washer, Lock, Int, 10	2
51	01683	(000000–) Washer, Flat, 10, Ss	2
52	01713	(000000–) Nut, Hex, Std, 10–32,	2
53	87435	(000000–) Nut, Hex, Flexlock, .31–18	4

Fig. 10 – Instrument Panel Group

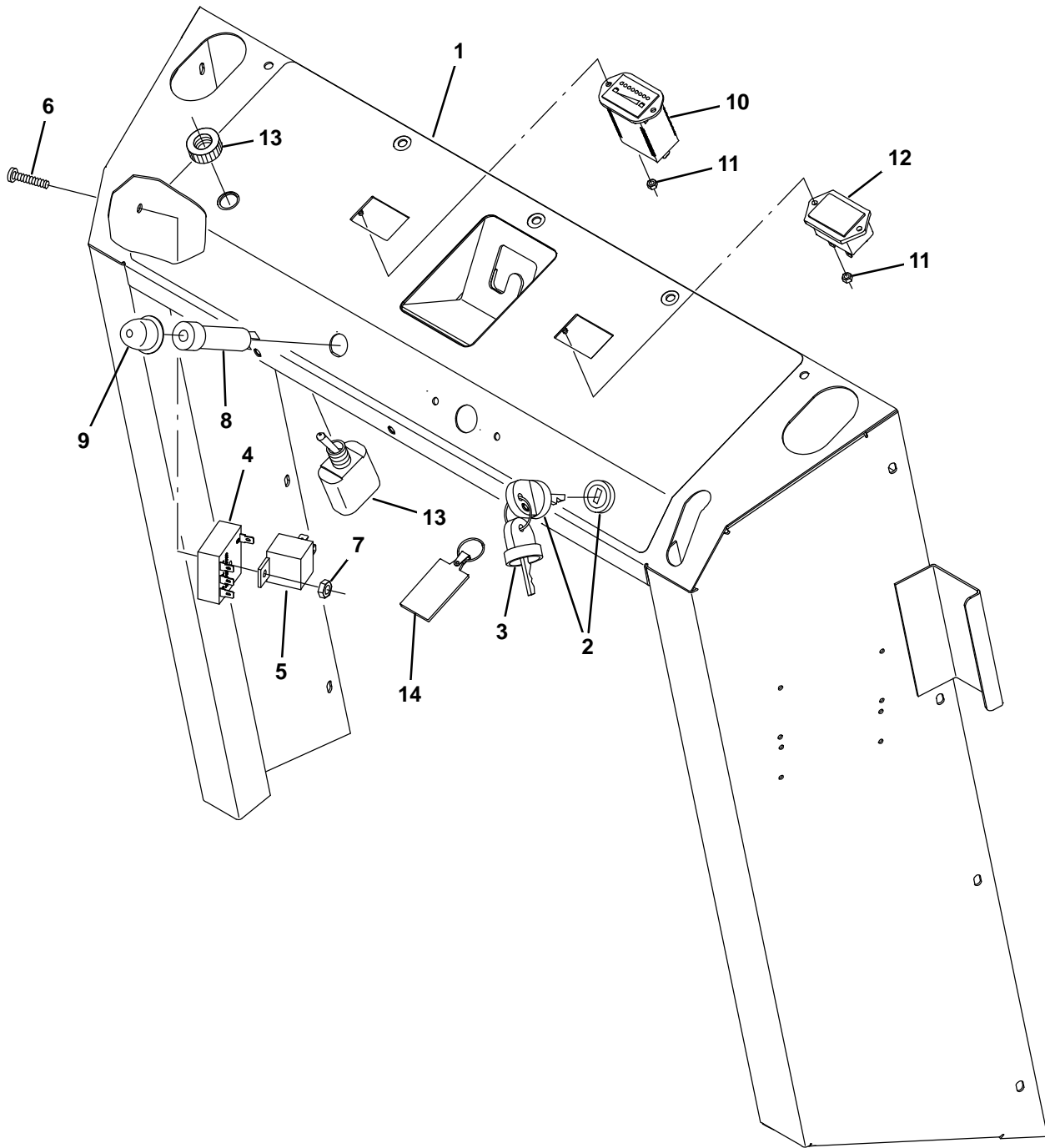


Fig. 10 - Instrument Panel Group

	Ref.	Part No.	Serial Number	Description	Qty.
	1	1040896	(000000-) Panel, Instrument W/Label N/A	1
	1	1040960	(000000-) Panel, Instrument W/Label Ce	1
▽	2	222282	(000000-) Switch, Key, Spdt	1
▲	3	222684	(000000-) Key [Set Of 2]	1
	4	09338	(000000-) Timer, 12vdc, 20 Sec, One-Shot	1
	5	1039472	(000000-) Relay, 24vdc, 40a Spdt	1
	6	48992	(000000-) Screw, Pan, Phl, 10-24 X 1.50, G1	1
	7	45181	(000000-) Nut, Hex, Lock, #10-24, NI	1
	8	57803	(000000-) Circuitbreaker, 15.0a, Resetable	1
	9	57751	(000000-) Boot, Dome, .72id .72l, Clear	1
	10	9005782	(000000-007750) Indicator Kit, Discharge, Battery, Replmt	1
	10	1058598	(007751-) Indicator, Battery, 24Vdc	1
	11	579211	(000000-) Nut, Hex, Lock, M3 X 0.50, Ss	4
	12	1014572	(000000-) Gauge, Hourmeter, 14-48vdc, Lcd, Rt,.1hr	1
	13	63266	(000000-) Switch, Toggle, 10a Spst, Sealed	1
	14	1075003	(000000-) Keychain, Rectangle, Parts & Service	1

Fig. 11 - Directional Control and Handle Group

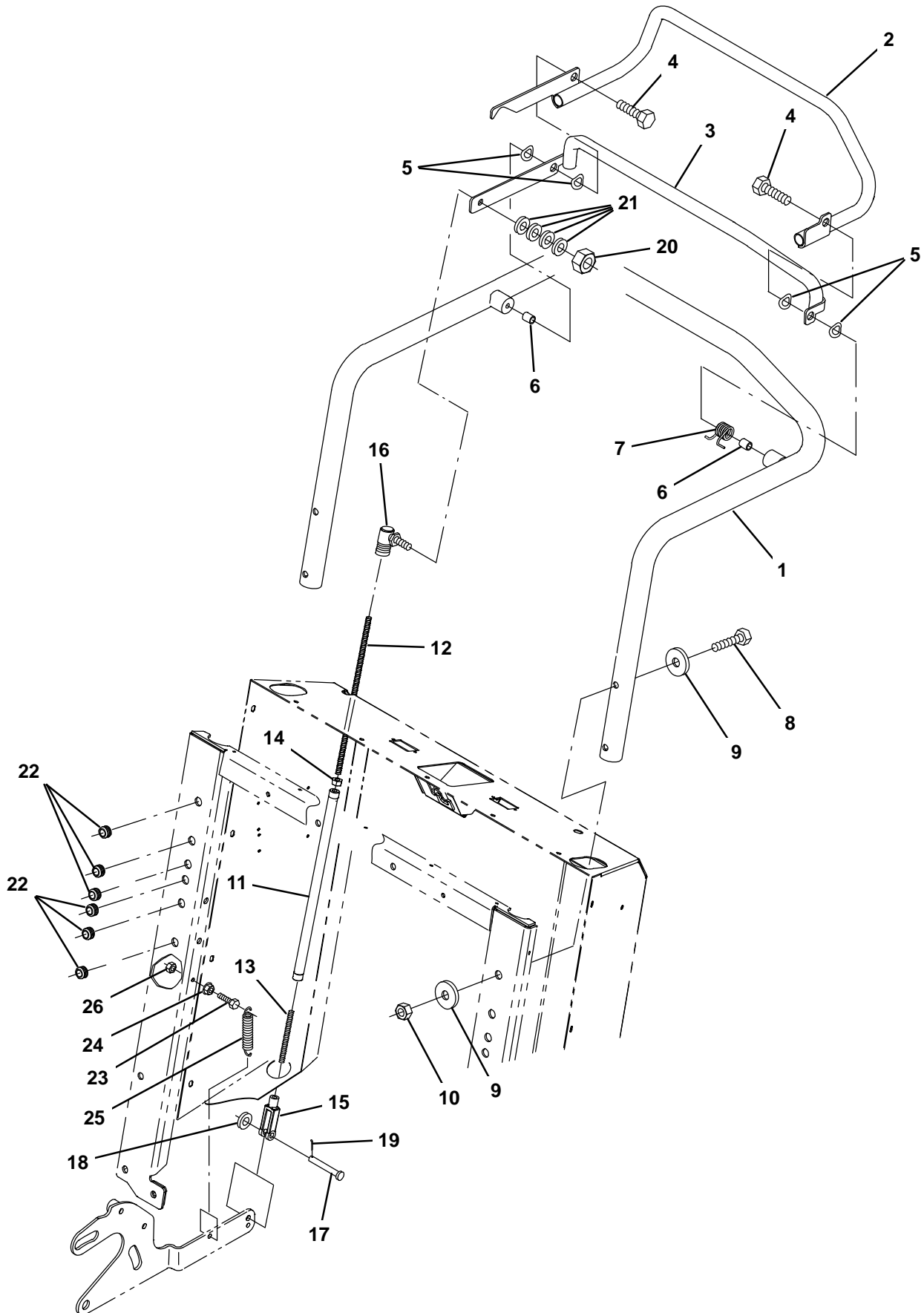


Fig. 11 - Directional Control and Handle Group

Ref.	Part No.	Serial Number	Description	Qty.
1	1037095	(000000-) Handle Weldment, Main, Mantis	1
2	1037127	(000000-) Handle Weldment, Forward, Mantis	1
3	1037137	(000000-) Handle Weldment, Reverse, Mantis	1
4	76570	(000000-) Screw, Hex, M8 X 1.25 X 30, 8.8	2
5	52508	(000000-) Washer, Wavy, 0.53b 0.81d .09	4
6	830043	(000000-) Sleeve	2
7	1039612	(000000-) Spring, Torsion	1
8	222504	(000000-) Screw, Hex, M8 X 1.25 X 55, Ss	4
9	32491	(000000-) Washer, Flat, 0.31, Std	8
10	08709	(000000-) Nut, Hex, Lock, M8 X 1.25, NI	4
11	1037961	(000000-) Rod, Propel Control	1
12	1037963	(000000-) Rod, Upper, Control Lever	1
13	1037962	(000000-) Rod, Lower, Dir Cntrl Link	1
14	20170	(000000-) Nut, Hex, Jam, .31-24	1
15	58311	(000000-) Clevis, Adj, 0.31pin, 0.31-24	1
16	50909	(000000-) Balljoint, .31-24 Fem, .31-24 Mal, Qdc	1
17	69582	(000000-) Pin, Clevis, 0.31d X 1.00l	1
18	32490	(000000-) Washer, Flat, 0.25, Std	1
19	39005	(000000-) Pin, Cotter, .094 X 0.75	1
20	20170	(000000-) Nut, Hex, Jam, .31-24	1
21	32491	(000000-) Washer, Flat, 0.31, Std	4
22	10632-12	(000000-) Grommet, Rbr, 0.38id, F/0.5h, .12 Matl	4
23	09244	(000000-) Screw, Hex, M5 X 0.80 X 16, 8.8	1
24	07789	(000000-) Nut, Hex, Flng, M5 X 0.80	1
25	29545	(000000-) Spring, Extn, 0.56od 0.05wir 02.0l	1
26	06549	(000000-) Nut, Hex, Lock, M5 X 0.80, NI	1

Fig. 12 - Hopper Group

Ref.	Part No.	Serial Number	Description	Qty.
1	1040967	(000000-) Hopper W/Label N/A	1
1	1040987	(000000-) Hopper W/Label Ce	1
2	830221	(000000-) Plate, Hopper Catch	2
3	76570	(000000-) Screw, Hex, M8 X 1.25 X 30, 8.8	4
4	32491	(000000-) Washer, Flat, 0.31, Std	8
5	08709	(000000-) Nut, Hex, Lock, M8 X 1.25, NI	4
6	830217	(000000-) Handle, Hopper Lift	2
7	12768	(000000-) Handle, Knuckle	1
8	32492	(000000-) Washer, Flat, 0.38, Std	4
9	09291	(000000-) Screw, Hex, M10 X 1.5 X 20, Ss	4
10	830229	(000000-) Handle, Lift	1
11	76957	(000000-) Screw, Hex, .31-18 X 1.50, G5	1
12	39349	(000000-) Washer, Flat, 0.31, Sae	1
13	01760	(000000-) Nut, Hex, Lock, .31-18, NI, Thin	1
14	03292B	(000000-) Grip, Handle, Rnd	1
15	51787	(000000-) Bumper, Rbr, 0.6d 0.34th 0.3d Tip	1
16	830013	(000000-) Assy, Lip Pan	1
17	830223	(000000-008474) Retainer, Lip	1
18	15678	(000000-) Screw, Hex, M6 X 1.00 X 16, Ss	7
19	01684	(000000-008474) Washer, Flat, 0.27b 0.69d .05, Ss	7
20	01272	(000000-) Pin, Clevis, 0.62d X 1.50l	2
21	08182	(000000-) Pin, Cotter, .125 X 1.00	2
22	08712	(008475-) Nut, Hex, Lock, M6 X 1.00, NI, Ss	7
23	01684	(008475-) Washer, Flat, 0.27b 0.69d .05, Ss	14

Fig. 13 – Filter and Shaker Motor Group

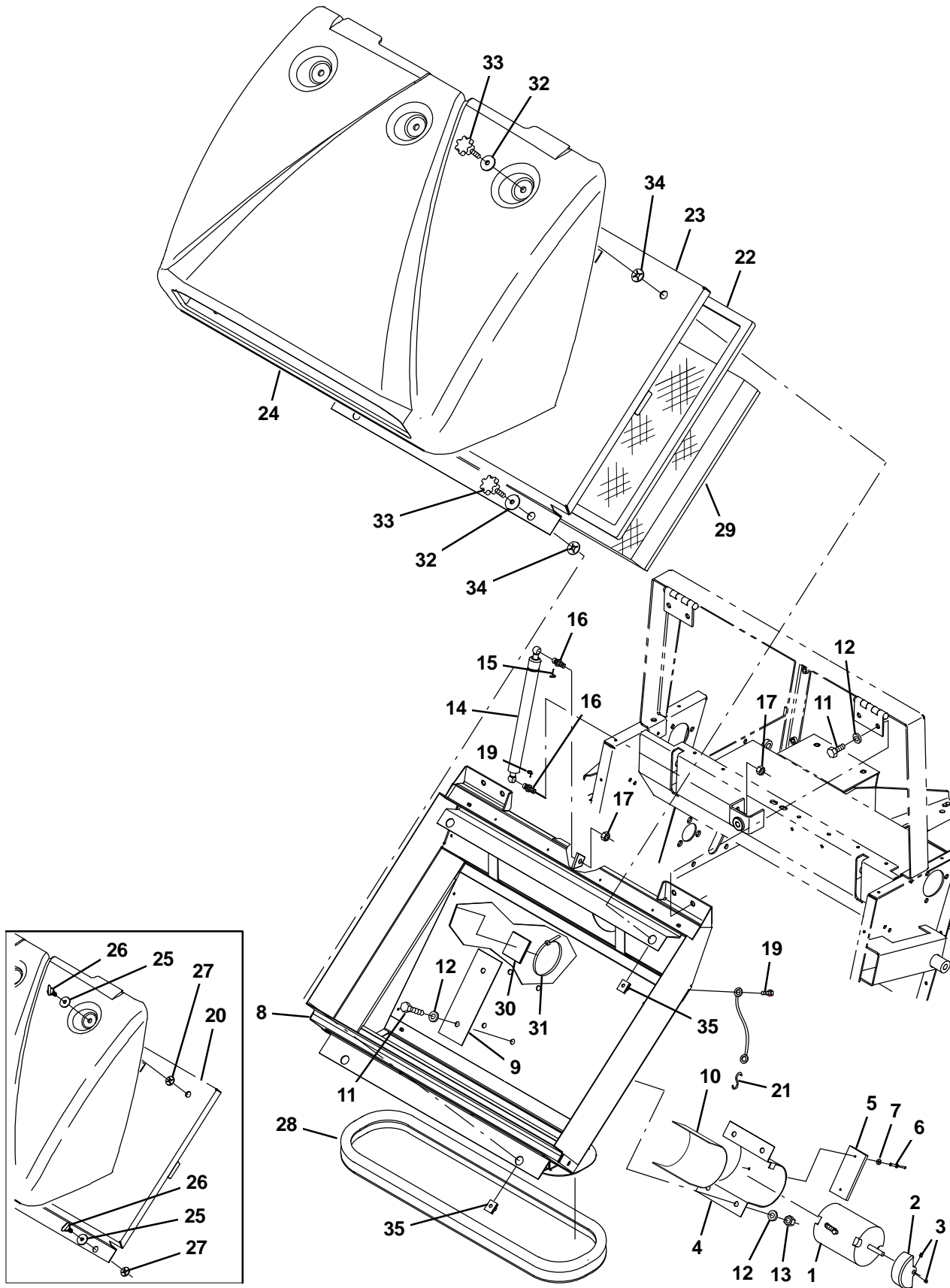


Fig. 13 - Filter and Shaker Motor Group

Ref.	Part No.	Serial Number	Description	Qty.	
1	54121	(000000-008133)	Motor, Ele, 12Vdc 1375rpm 0.08hp 08.4a	1	
1	1059576	(008134-	Motor, Ele, 12Vdc, Shakr	1	
2	1049243	(000000-008133)	Weight, Eccentric	1	
2	1053321	(008134-	Weight, Eccentric, Pntd	1	
3	20634	(000000-	Screw, Set, #10-24 X 0.25, NI	2	
4	830262	(000000-	Strap, Shaker Motor	1	
5	06660	(000000-	Bumper, Shakr	1	
6	01335	(000000-	Rivet, Blind, .125d X 0.44 X .25d, Alm	2	
7	1047102	(000000-	Washer, Rivet	2	
8	9006403	(000000-007636)	Filterbox Wldt Kit, Replmt [S10]	1	
8	1046511	(007637-	Filterbox Wldt	1	
9	830270	(000000-	Plate, Support Shaker	1	
10	44893	(000000-	Strip, Rbr, 0.06 03.90w 10.0l	1	
11	16931	(000000-	Screw, Hex, M8 X 1.25 X 20, 8.8	6	
12	32491	(000000-	Washer, Flat, 0.31, Std	6	
13	08709	(000000-	Nut, Hex, Lock, M8 X 1.25, NI	4	
14	77728	(000000-	Gasspring, 130Lb, 6.2Strk	1	
15	64595	(000000-	Clip, Safety, Gasspring	2	
16	58494	(000000-	Stud, Ball, .39d .31-16, Gasspring	2	
17	01760	(000000-	Nut, Hex, Lock, .31-18, NI, Thin	2	
18	57702	(000000-	Cable, Glv .06d 012.0l .26eye /.26eye	6	
19	01708	(000000-	Screw, Hex, #10-24 X 0.50, Tcut	1	
20	9006403	(000000-007636)	Filterbox, Wldt Kit, Replmt [S10]	1	
21	01321	(000000-	Hook, S, .14D 1.5L, Pl	1	
▽	9004026	(000000-	Cover Assy, Filterbox [S10]	1	
▲	22	01064	(007637-	Seal, Rbr, Open, 0.50, 0.75w 92.0l Adh	1
▲	23	1046509	(007637-	Cover Wldt, Filterbox	1
	24	1041031	(000000-007389)	Cover, Front W/Label	1
	24	1047839	(007390-	Cover, Front W/Label	1
	25	830419	(000000-007636)	Washer, Sealing, M8	5
	26	1037254	(000000-007636)	Screw, Thumb	5
	27	08156	(000000-007636)	Retainer, Screw	5
	28	08157	(000000-	Seal, Lip, 90, 1.3w . Grip 054.0l	1
	29	1037206	(000000-	Filter, Panl, Dust, 2.2 X 16.0 X 26.0	1
	29	1045949	(000000-	Filter, Panl, Syn, 2.7 X 16.0 X 26.0	1
	30	55248	(000000-	Mount, Cable Tie	1
	31	130773	(000000-	Tie, Cable, Nyl, 11.0l, .14w, 3.0 Max. D	1
	32	30169	(007637-	Washer, Sealing, 0.28B 1.25D Ss, Neo	5
	33	1052189	(007637-	Knob, Stud, .25-20 1.1	5
	34	1052228	(007637-	Nut, Retainer, R/.250D	5
	35	82138	(007637-	Nut, Spd, Clip, .25-20 [.025-.150]	4

Fig. 14 - Vacuum Fan Group

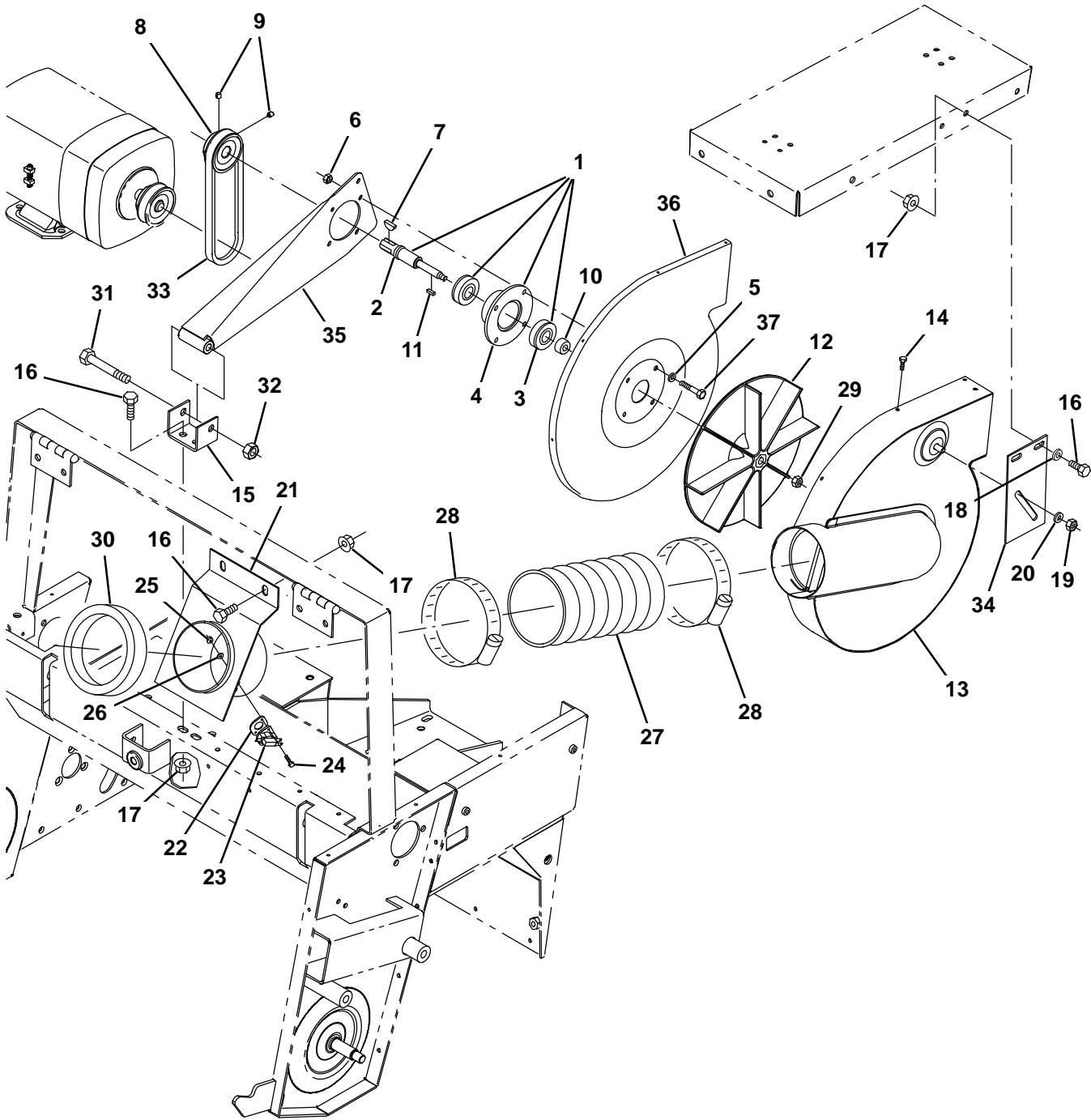


Fig. 14 - Vacuum Fan Group

	Ref.	Part No.	Serial Number	Description	Qty.
▽	1	9004267	(000000-) Bearing Assy	1
▲	2	830279	(000000-) Shaft, Drive, Vacuum Fan	1
▲	3	32525	(000000-) Bearing, Ball, 0.67b 1.57d 0.47w	2
▲	4	41561	(000000-) Housing, Flng, Brg	1
	5	19066	(000000-) Washer, Flat, #10	4
	6	08708	(000000-) Nut, Hex, Lock, M6 X 1.00, NI	4
	7	00500-4	(000000-) Key, Woodruff, 0.12 0.50 [Asa#0404]	1
	8	1042575	(000000-) Sheave, 01grv, 1.8/2.1pd 0.63b [3l/4l]	1
	9	46820	(000000-) Screw, Set, .31-18 X 0.38, NI	2
	10	830233	(000000-) Sleeve	1
	11	00960	(000000-) Key, Sq, 0.12 X 0.12, 0.50l	1
	12	08143	(000000-) Impeller, 9.00d X 0.376b	1
	13	830240	(000000-) Housing Wldt, Vac Fan	1
	14	41189	(000000-) Screw, Hex, #06-20 X 0.38, Fmg [Ab]	9
	15	830244	(000000-) Bracket, Fan Pivot	1
	16	16931	(000000-) Screw, Hex, M8 X 1.25 X 20, 8.8	4
	17	07791	(000000-) Nut, Hex, Flng, M8 X 1.25	4
	18	41185	(000000-) Washer, Flat, Belleville, .25	2
	19	08709	(000000-) Nut, Hex, Lock, M8 X 1.25, NI	1
	20	32491	(000000-) Washer, Flat, 0.31, Std	1
	21	830246	(000000-) Adaptor Wldt, Filter To Fan	1
	22	82733	(000000-) Gasket, Sensor, Thermal	1
	23	02712	(000000-) Sensor Assy, Thermal, 140deg, Nc [Reset]	1
	24	12312	(000000-) Screw, Hex, M5 X 0.80 X 12, 8.8	2
	25	06549	(000000-) Nut, Hex, Lock, M5 X 0.80, NI	2
	26	01684	(000000-) Washer, Flat, 0.27b 0.69d .05, Ss	2
	27	23481	(000000-) Hose, Flex, Vacuum, 04.0d, 005.0l	1
	28	23498	(000000-) Clamp, Hose, Wormdrive, 3.56-4.50d, .50w	2
	29	07786	(000000-) Nut, Hex, Std, M8 X 1.25, Ss	1
	30	47069	(000000-) Seal, Rbr, Clsd, 1.00, 4.9d 03.9h	1
	31	763054	(000000-) Screw, Hex, M10 X 1.5 X 75, 8.8	1
	32	41430	(000000-) Nut, Hex, Lock, M10 X 1.5, NI	1
	33	60470	(000000-) Belt, V, 19.0l, Cogged [4l]	1
	34	830251	(000000-) Plate, Backing	1
	35	830239	(000000-) Bracket Wldt, Mtg. Vac Fan	1
	36	830406	(000000-) Plate, Backing, Fan Housing	1
	37	06943	(000000-) Screw, Hex, M6 X 1.0 X 20, 8.8	4

Fig. 15 - Covers Group

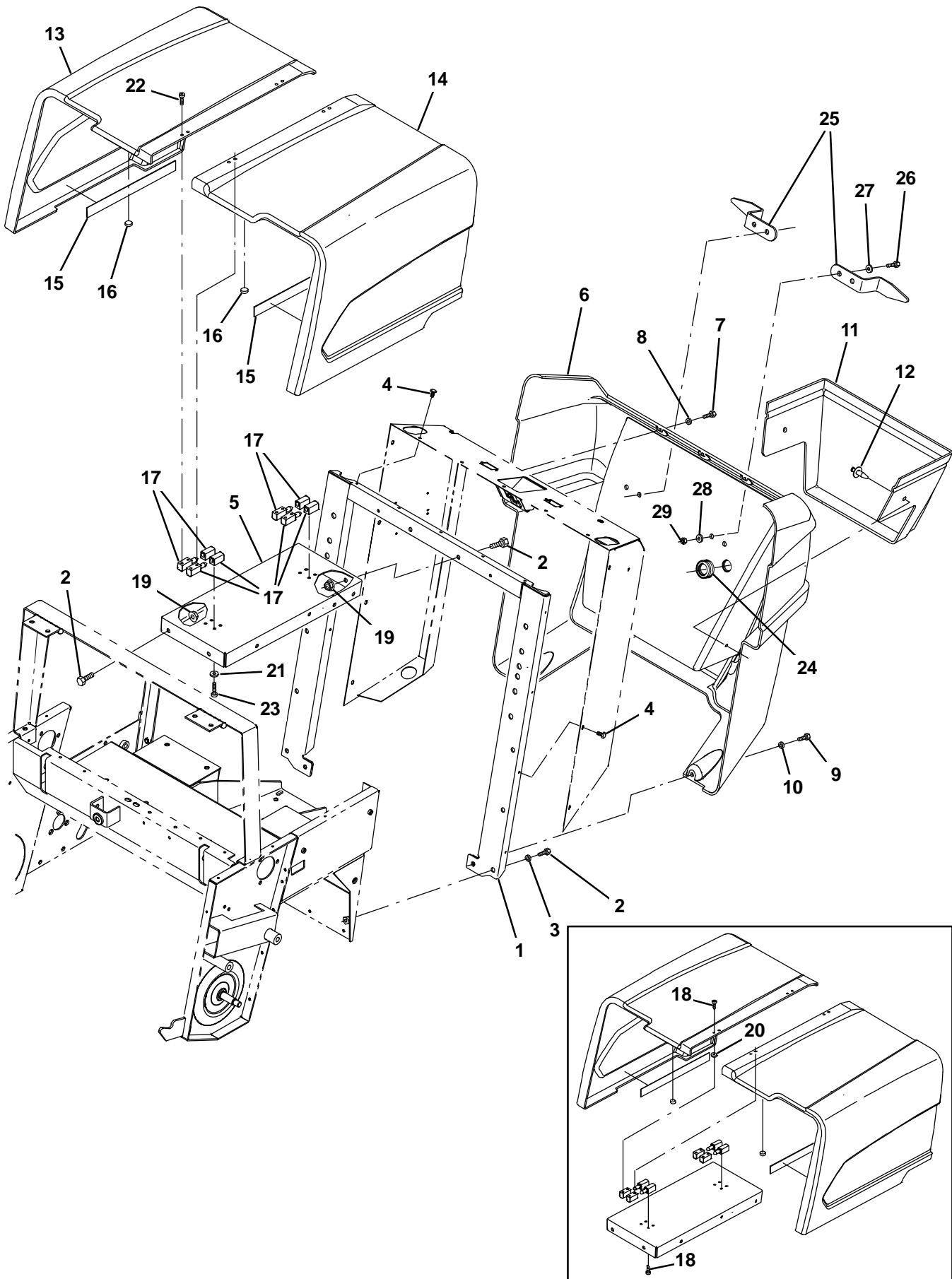


Fig. 15 – Covers Group

Ref.	Part No.	Serial Number	Description	Qty.
1	830049	(000000–)	Support, Rear	1
2	16931	(000000–)	Screw, Hex, M8 X 1.25 X 20, 8.8	9
3	32491	(000000–)	Washer, Flat, 0.31, Std	6
4	223198	(000000–)	Screw, Hex, M5 X 0.8 X 10, Fmg	13
5	1041121	(000000–)	Channel Wldt, Center W/Labels Na	1
5	1041124	(000000–)	Channel Wldt, Center W/Label Ce	1
6	830106	(000000–007389)	Cover, Rear	1
6	1047834	(007390–)	Cover, Rear, Pntd	1
7	09244	(000000–)	Screw, Hex, M5 X 0.80 X 16, 8.8	3
8	01683	(000000–)	Washer, Flat, 0.22b 0.50d .05, Ss [#10]	3
9	11329	(000000–)	Screw, Hex, M6 X 1.0 X 16, Ss, NI	2
10	19066	(000000–)	Washer, Flat, #10	2
11	830108	(000000–007389)	Cover, Pocket	1
11	1047830	(007390–)	Cover, Pocket, Pntd	1
12	72968	(000000–)	Rivet, Plstc, .250d X 0.90	2
13	1040831	(000000–007389)	Cover, Rh, W/ Label Rep.by1047815	1
13	1047815	(007390–)	Cover, Rh, Pntd, W/ Label	1
14	1040817	(000000–007389)	Cover, Lh, W/ Label [S10] Rep.by1047810	1
14	1047810	(007390–)	Cover, Lh, Pntd, W/ Label [S10]	1
15	09367	(000000–)	Magnetic Strip Flex 1.0 .06 11	2
16	64757	(000000–)	Bumper, Rbr, Adh, 0.50d 0.14th	6
17	830448	(000000–)	Hinge, Lift Off, In-line	4
18	06932	(000000–007100)	Screw, Pan, M5 X 0.80 X 10, 4.8	16
19	07791	(000000–)	Nut, Hex, Flng, M8 X 1.25	3
20	01683	(000000–007100)	Washer, Flat, 0.22b 0.50d .05, Ss [#10]	8
21	01683	(007101–)	Washer, Flat, 0.22b 0.50d .05, Ss [#10]	8
22	06932	(007101–)	Screw, Pan, M5 X 0.80 X 10, 4.8	8
23	06931	(007101–)	Screw, Pan, M5 X 0.80 X 6, 4.8	8
24	10632	(007671–007389)	Grommet, Rbr, 0.89id, F/1.2h, .14 Matl	1
24	1074139	(007390–)	Grommet, Rbr, 1.00id, 1.2hole, .19 Grv	1
25	1057797	(007671–)	Bracket, Cord Wrap	1
26	06943	(007671–)	Screw, Hex, M6 X 1.00 X 20, 8.8	4
27	32483	(007671–)	Washer, Flat, 0.25, Sae	4
28	30013	(007671–)	Washer, Flat, 0.31, Fendr	4
29	08708	(007671–)	Nut, Hex, Lock, M6 X 1.00, NI	4

Fig. 16 – Electrical Schematic

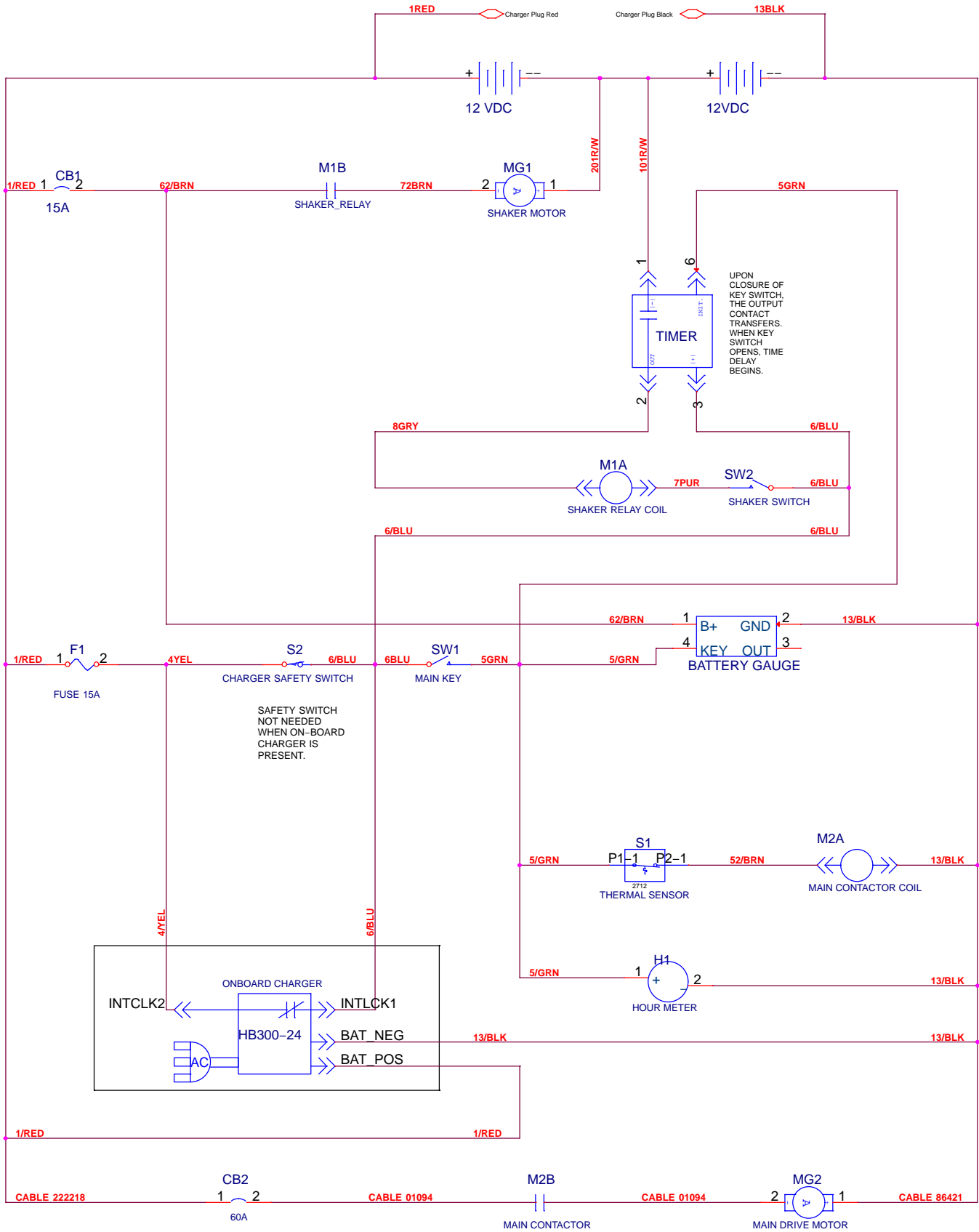
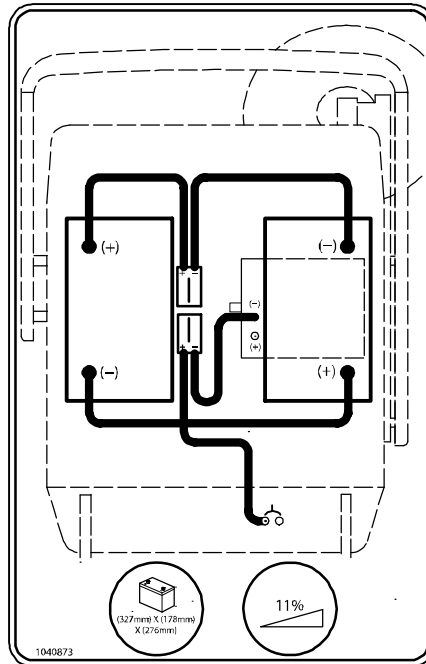


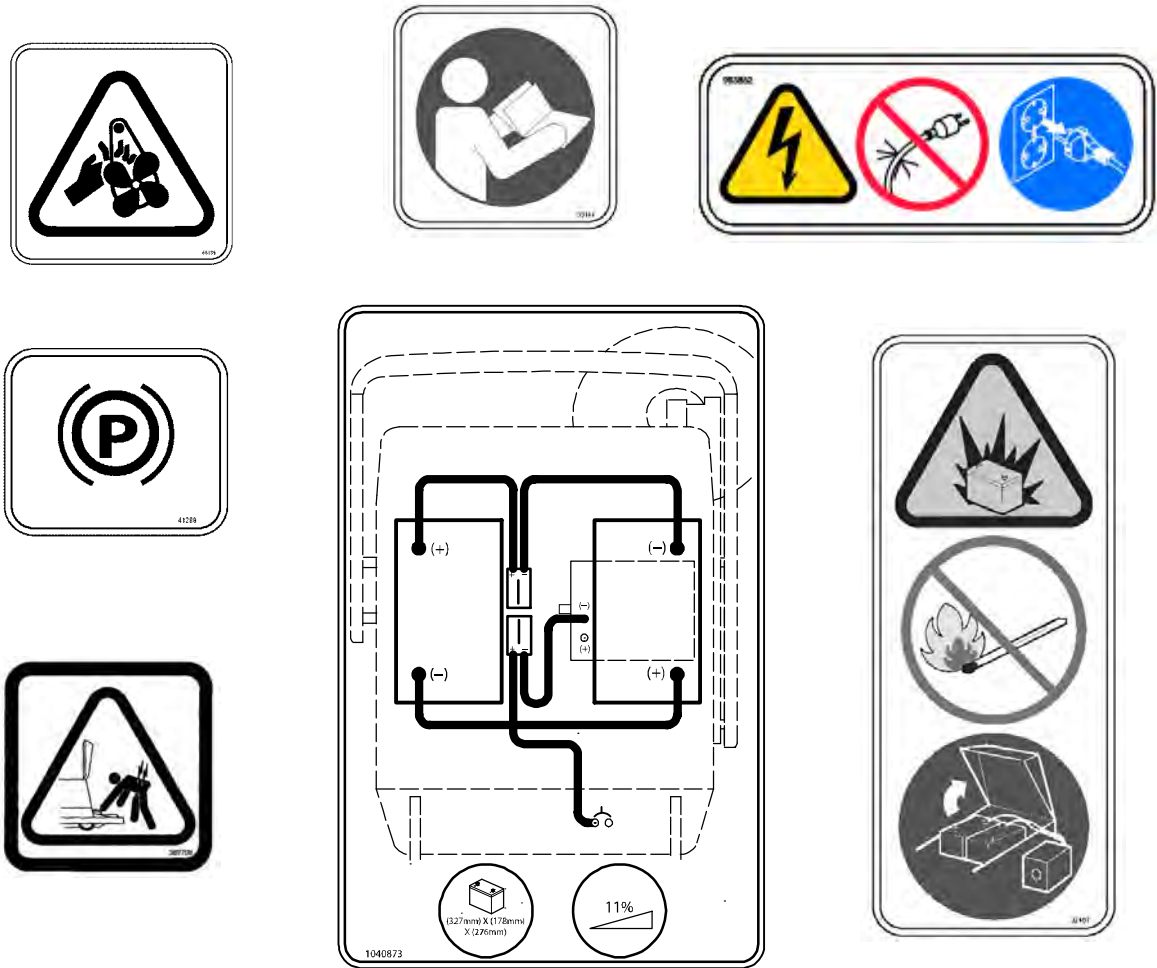
Fig. 18 – Label Group



354574

Ref.	Part No.	Serial Number	Description	Qty.
1	830449	(000000–)	Label, Set, Info/Hzrd, Na, Tw	1

Fig. 19 – Label Group (European Only)



Ref.	Part No.	Serial Number	Description	Qty.
1	1058225	(000000-)	Label Set, Info/Hzrd, Ce, Tw	1

354574

Fig. 20 – Documentation Group

Ref.	Part No.	Serial Number	Description	Qty.
	331580	(000000–)	Oprtr, Manual, En [S10]	1
	331581	(000000–)	Manual, Parts [S10, En]	1
	331582	(000000–)	Oprtr, Manual, Es [S10]	1
	331583	(000000–)	Oprtr, Manual, Fr [S10]	1
	331584	(000000–)	Oprtr, Manual, Jp [S10]	1
	331587	(000000–)	Oprtr, Manual, Cn [S10]	1
	331585	(000000–)	Service, Manual, En [S10]	1
	1039731	(000000–)	Video, Oprtr, Dvd [S10]	1
	1040301	(000000–)	Wall Chart [S10]	1
	9004548	(000000–)	Manual, Oprtr [S10, Pt, Br]	1
	9007288	(000000–)	Manual, Oprtr [S10 E, Bg Ce]	1
	9007289	(000000–)	Manual, Oprtr [S10 E, Cz Ce]	1
	9007290	(000000–)	Manual, Oprtr [S10 E, De Ce]	1
	9007291	(000000–)	Manual, Oprtr [S10 E, Dk Ce]	1
	9007292	(000000–)	Manual, Oprtr [S10 E, Ee Ce]	1
	9007293	(000000–)	Manual, Oprtr [S10 E, En Ce]	1
	9007294	(000000–)	Manual, Oprtr [S10 E, Es Ce]	1
	9007295	(000000–)	Manual, Oprtr [S10 E, Fi Ce]	1
	9007296	(000000–)	Manual, Oprtr [S10 E, Fr Ce]	1
	9007297	(000000–)	Manual, Oprtr [S10 E, Gr Ce]	1
	9007298	(000000–)	Manual, Oprtr [S10 E, Hu Ce]	1
	9007299	(000000–)	Manual, Oprtr [S10 E, It Ce]	1
	9007300	(000000–)	Manual, Oprtr [S10 E, Lt Ce]	1
	9007301	(000000–)	Manual, Oprtr [S10 E, Lv Ce]	1
	9007302	(000000–)	Manual, Oprtr [S10 E, Ni Ce]	1
	9007303	(000000–)	Manual, Oprtr [S10 E, No Ce]	1
	9007304	(000000–)	Manual, Oprtr [S10 E, Pl Ce]	1
	9007305	(000000–)	Manual, Oprtr [S10 E, Pt Ce]	1
	9007306	(000000–)	Manual, Oprtr [S10 E, Ro Ce]	1
	9007307	(000000–)	Manual, Oprtr [S10 E, Ru Ce]	1
	9007308	(000000–)	Manual, Oprtr [S10 E, Se Ce]	1
	9007309	(000000–)	Manual, Oprtr [S10 E, Si Ce]	1
	9007310	(000000–)	Manual, Oprtr [S10 E, Sk Ce]	1
	9007311	(000000–)	Manual, Oprtr [S10 E, Tr Ce]	1

SECTION 3

CONTENTS		PAGE
PART NUMBER TO PAGE NUMBER CROSS REFERENCE LIST		3-2
PART DESCRIPTION TO PAGE NUMBER CROSS REFERENCE LIST		3-5

CROSS REFERENCE

PART NUMBER TO PAGE NUMBER CROSS REFERENCE LIST

Part Number	Page Number	Part Number	Page Number	Part Number	Page Number
00500-1	2-9	08712	2-27	1047810	2-33
00500-4	2-7, 2-31	09010	2-5	1047815	2-33
00911	2-11, 2-15	09062	2-11	1047830	2-33
00960	2-31	09162	2-7, 2-11	1047834	2-33
01064	1-1, 2-29	09206	2-19	1047839	2-29
01094	2-19	09228	2-19	1049243	2-29
01112	2-7	09244	2-15, 2-25, 2-33	1049343	2-19
01119	1-1, 2-7	09291	2-27	1052189	2-29
01120	1-1, 2-7	09338	2-23	1052228	2-29
01139	2-17	09367	2-33	1053321	2-29
01150	2-7	09480	2-5	1057797	2-33
01192	2-7	09738	2-5	1058225	2-37
01199	2-7	09740	2-15	1058598	2-23
01272	2-27	1014295	2-19	1059576	2-29
01318	2-5	1014572	2-23	1060349	2-7
01321	2-29	1015046	2-19	10632	2-33
01335	2-29	1016331	2-19	10632-12	2-19, 2-25
01513	2-11	1025642	2-19	1070113	2-5
01683	2-5, 2-20, 2-33	1032820	2-19	1073625	2-19
01684	2-9, 2-13, 2-15, 2-27, 2-31	1032849	2-19	1074139	2-33
01708	2-5, 2-29	1035897	2-35	1075003	2-23
01713	2-20	1037095	2-25	1075194	2-5
01714	2-20	1037127	2-25	11329	2-9, 2-15, 2-33
01760	2-9, 2-27, 2-29	1037137	2-25	11398	2-7
02076	2-19	1037206	1-1, 2-29	1214515	2-19
02712	2-31	1037254	2-29	12312	2-13, 2-31
03292B	2-27	1037475	2-7	12768	2-27
06549	2-5, 2-25, 2-31	1037961	2-25	12955	2-7
06660	2-29	1037962	2-25	130773	2-19, 2-29
06924	2-19	1037963	2-25	140841	2-19
06931	2-33	1038292	2-7	14330	2-17
06932	2-33	1039471	2-19	15173	2-15
06942	2-5	1039472	2-23	15678	2-9, 2-27
06943	2-13, 2-19, 2-31, 2-33	1039612	2-25	16411	1-1
06944	2-9	1039731	2-38	16412	1-1
06946	2-9	1040301	2-38	16931	2-7, 2-19, 2-29, 2-31, 2-33
06955	2-17	1040817	2-33	18136	2-11, 2-13
06976	2-5	1040831	2-33	18276	2-11
07514	2-19	1040860	2-19	19066	2-13, 2-19, 2-31, 2-33
07785	2-7, 2-11	1040896	2-23	20050	2-11, 2-13
07786	2-15, 2-31	1040960	2-23	20170	2-20, 2-25
07789	2-15, 2-25	1040967	2-27	20634	2-29
07790	2-5, 2-19	1040987	2-27	21197	2-7
07791	2-5, 2-19, 2-31, 2-33	1041031	2-29	21198	2-7
07807	2-19	1041121	2-33	222282	2-23
08057	2-5	1041124	2-33	222467	2-5
08085	2-15	1041455	2-19	222504	2-25
08142	2-9	1041538	2-19	222684	2-23
08143	2-31	1041904	2-19	223198	2-5, 2-33
08156	2-5, 2-29	1042370	2-19	23217	2-11, 2-13
08157	1-1, 2-29	1042573	2-15	23481	2-31
08182	2-27	1042655	2-7	23498	2-31
08708	2-9, 2-13, 2-31, 2-33	1044996	2-15	24592	2-5
08709	2-7, 2-17, 2-25, 2-27, 2-29, 2-31	1045005	2-15	24597	2-9
08711	2-7, 2-9	1045949	2-29	25014	2-17
		1046509	2-29	25887	2-9
		1046511	2-29		
		1047102	2-29		

CROSS REFERENCE

Part Number	Page Number	Part Number	Page Number	Part Number	Page Number
26103	2-11, 2-13	375120	2-19	830006	2-5
26212	2-7	377537	1-1	830010	1-1, 2-5
26239	2-11, 2-13	377538	1-1	830011	1-1, 2-5
28002	2-3	377540	1-1	830012	1-1, 2-5
28006	2-3	378764	2-19	830013	1-1, 2-5, 2-27
28006N	2-3	39005	2-25	830027	2-5
28007P	2-3	39312	2-5	830029	2-5
28072	1-1, 2-5	39349	2-9, 2-20, 2-27	830030	2-5
28078	2-15	39562	2-17	830031	2-5
28096N	2-3	39658	2-19	830034	2-5
28096P	2-3	40352	2-17	830043	2-25
28121	2-15	41139	2-5	830049	2-33
28168	1-1, 2-11	41185	2-19, 2-31	830055	2-7
28172	2-3	41189	2-31	830059	2-7
28235	2-3	41305	2-5	830060	2-7
28272	1-1, 2-9	41345	2-5	830072	2-5
28277-1	1-1, 2-5	41430	2-31	830090	2-19
28277-2	1-1, 2-5	41561	2-31	830093	2-7
28387	2-11	41578	2-19	830094	2-19
28388	2-11	43954	2-17	830099	2-7
28546	2-9	44893	2-29	830106	2-33
28712	1-1, 2-15	45154	2-3	830108	2-33
28714	1-1, 2-7	45181	2-23	830123	2-17
28852	2-13	46820	2-7, 2-31	830126	2-17
28862	2-13	47069	1-1, 2-31	830128	2-17
28865	2-9	48992	2-23	830129	2-17
28867	2-11	48996	2-7	830131	2-17
28868	2-13	49443	2-19	830132	2-11, 2-13
29005	2-17	49548	2-19	830135	2-11, 2-13
29545	2-25	50902	2-7	830136	2-13
29982	2-5, 2-19	50909	2-25	830137	2-13
30013	2-33	51137	2-9	830142	2-13
30147	2-9	51787	2-27	830149	2-11
30169	2-29	52508	2-25	830153	2-7
30174	2-9	54121	2-29	830154	2-7, 2-15
30205	2-7	55248	2-29	830156	2-7
32483	2-5, 2-19, 2-33	57496	2-9	830161	2-15
32490	2-15, 2-25	57702	2-29	830163	2-11
32491	2-5, 2-7, 2-17, 2-19, 2-25, 2-27, 2-29, 2-31, 2-33	57751	2-23	830171	2-15
		57803	2-23	830196	2-9
32492	2-27	579211	2-23	830197	2-9
32520	2-17	58311	2-25	830205	2-9
32525	2-31	58494	2-29	830206	2-9
32980	2-20	60470	1-1, 2-31	830207	2-9
32982	2-19	61290	2-9	830210	2-9
32983	2-9	61411	1-1, 2-9	830214	2-9
32984	2-20	63266	2-23	830217	2-27
331580	2-38	64595	2-29	830221	2-27
331581	2-38	64757	2-33	830223	1-1, 2-27
331582	2-38	69582	2-25	830229	2-27
331583	2-38	72968	2-33	830230	2-9
331584	2-38	762514	2-35	830233	2-31
331585	2-38	763054	2-31	830239	2-31
331587	2-38	763121	2-5	830240	2-31
33401	2-15	76570	2-25, 2-27	830244	2-31
33932	2-19	76957	2-27	830246	2-31
360826	2-5	77728	2-29	830251	2-31
361339	2-5, 2-9, 2-17, 2-19	82138	2-29	830262	2-29
		82733	2-31	830270	2-29
		830000	2-5	830279	2-31

CROSS REFERENCE

Part Number	Page Number
830342	2-11
830343	2-11
830345	2-11
830346	2-11
830350	2-9, 2-11
830353	2-11
830406	2-31
830419	2-29
830420	2-5
830448	2-33
830449	2-36
830491	2-9
86421	2-19
87435	2-20
9004024	2-9
9004025	2-11
9004026	2-29
9004027	2-15
9004267	2-31
9004548	2-38
9005782	2-23
9006403	2-29
9007288	2-38
9007289	2-38
9007290	2-38
9007291	2-38
9007292	2-38
9007293	2-38
9007294	2-38
9007295	2-38
9007296	2-38
9007297	2-38
9007298	2-38
9007299	2-38
9007300	2-38
9007301	2-38
9007302	2-38
9007303	2-38
9007304	2-38
9007305	2-38
9007306	2-38
9007307	2-38
9007308	2-38
9007309	2-38
9007310	2-38
9007311	2-38
994201	2-19

PART DESCRIPTION TO PAGE NUMBER CROSS REFERENCE LIST

A

Adaptor Wldt, Filter To Fan, 2-31
 Angle, Stop, 2-5, 2-9
 Arm, 2-13
 Arm Wldt, Sppt, Brush, Side, 2-15
 Arm, Drive, Brush, Machining, 2-11
 Arm, Shaft Assy, Idler, 2-7
 Assy, Door [Mantis], 2-5
 Assy, Lip Pan, 1-1, 2-5, 2-27

B

Balljoint, .31-24 Fem, .31-24 Mal, Qdc, 2-25
 Battery, 12Vdc 0105Ah [5H, Gf12105] (Europe Only), 2-19
 Battery, 12Vdc 0125Ah [5H, J150Eaps] (Europe Only), 2-19
 Battery, Wet, 12Vdc 0155Ah, 2-19
 Battery, Wet, 12vdc, 120ah, 2-19
 Bearing Assy, 2-31
 Bearing, Ball, 2-9, 2-11
 Bearing, Ball, 0.67b 1.57d 0.47w, 2-31
 Bearing, W/ Collar, 0.75b 1.85d 1.06w, 2-9
 Bearing, W/ Shaft, 1.18d 3.3l 0.63, 2-13
 Bearing, W/ Shaft, 1.18d 6.3l 0.63, 2-11
 Belt, Flat, 1.25w X 33.50, 1-1, 2-7
 Belt, Flat, 1.25w X 38.80, 1-1, 2-7
 Belt, V [A-16, Hy-T], 1-1, 2-11
 Belt, V, 19.0l, Cogged [4l], 1-1, 2-31
 Belt, V, 34.5l, Spcl [3l], 1-1, 2-7
 Belt, V, 74.0l [3l], 1-1, 2-15
 Bolt, .38-16, Pivot, Dir Cntrl, 2-7
 Bolt, Carriage, .31-18 X 0.75, 2-9
 Bolt, Carriage, .38-16 X 2.50, 5, 2-7
 Boot, 90deg .50id .57id X .84id 1.0l,Blk, 2-19
 Boot, Dome, .72id .72l, Clear, 2-23
 Bracket Wldt, Mtg. Vac Fan, 2-31
 Bracket, Charger, 2-19
 Bracket, Charger, Battery, 2-19
 Bracket, Cord Wrap, 2-33
 Bracket, Fan Pivot, 2-31
 Bracket, Holder, Fuse, 2-19
 Bracket, Motor Mount, 2-7
 Breather, Hyd, 0.12npt, 2-15
 Brush Assy, Disk, Swp, 15.0 D, Nyl, 2-3
 Brush Assy, Disk, Swp, 15.0 D, Polypropylene, 2-3
 Brush, Swp, 26l, 6 Dr, Nylon, 2-3
 Brush, Swp, 26l, 6 Dr, Polypropylene, 2-3
 Brush, Swp, 26l, 6 Dr, Umx, 2-3
 Brush, Swp, 26l, 6 Dr, Umx Wire, 2-3
 Brush, Swp, 26l, 18 Sr, Umx, 2-3
 Brush, Swp, 26l, 18 Sr, Umx Wire, 2-3
 Bumper Wldt [S10 Overlap], 2-5
 Bumper, Rbr, 0.6d 0.34th 0.3d Tip, 2-27
 Bumper, Rbr, Adh, 0.50d 0.14th, 2-33
 Bumper, Shagr, 2-29
 Bushing, 2-11, 2-13

C

Cable, 06ga 12.0l Blk .38ring /.38ring, 2-19
 Cable, 06ga 27.0l Blk .34ring /.34ring, 2-19
 Cable, Glv .06d 012.0l .26eye /.26eye, 2-29
 Caster, Swivel, 5.0d 2.0w, 4hole, Gray, 2-5
 Chain, Rlr, #41, 075 Pitches, 1-1, 2-9
 Chain, Sash, #35, 03.5L 06 Link, 2-5
 Channel Wldt, Center W/Label Ce, 2-33
 Channel Wldt, Center W/Labels Na, 2-33
 Charger, 24Vdc 11A 100/240Vac 50/60Hz, 2-19
 Circuitbreaker, 15.0a, Resetable, 2-23
 Circuitbreaker, 60.0a [Resetable], 2-19
 Clamp, Conduit, 2-17
 Clamp, Hose, Wormdrive, 3.56-4.50d, .50w, 2-31
 Clevis, Adj, 0.31pin, 0.31-24, 2-25
 Clip, Grip, Hose, 0.75-1.12, Blk Vyl,Stl, 2-19
 Clip, Safety, Gasspring, 2-29
 Connector, Anderson, 50a, Red, 2-19
 Contactor, 24vdc, 60a, Spno, 2-19
 Cord, Power, 16/3, 4.5 Meters, Blk [Us], 2-19
 Cord, Power, Blk [4.5Meter, Ce], 2-19
 Cord, Power, Blk [4.5Meter, Uk], 2-19
 Countershaft, 2-9
 Coupling, Half, 2-9
 Cover Assy, Filterbox [S10], 2-29
 Cover Wldt, Filterbox, 2-29
 Cover, Front W/Label, 2-29
 Cover, Lh, Pntd, W/ Label [S10], 2-33
 Cover, Lh, W/ Label [S10] Rep.by1047810, 2-33
 Cover, Pocket, 2-33
 Cover, Pocket, Pntd, 2-33
 Cover, Rear, 2-33
 Cover, Rear, Pntd, 2-33
 Cover, Rh, Pntd, W/ Label, 2-33
 Cover, Rh, W/ Label Rep.by1047815, 2-33
 Cover, Right Side, 2-5
 Cover, Wldt Lh, 2-5

D

Differential, 2-9

F

Filter, Panl, Dust, 2.2 X 16.0 X 26.0, 1-1, 2-29
 Filter, Panl, Syn, 2.7 X 16.0 X 26.0, 2-29
 Filterbox Wldt, 2-29
 Filterbox Wldt Kit, Replmt [S10], 2-29
 Filterbox, Wldt Kit, Replmt [S10], 2-29
 Flinger, 2-13

Fitting, Grease, Str 6mm, 2-11, 2-13
 Flange, Brg, 1.8id 3h, 2-9
 Frame Wldt, Main, 2-5
 Fuse, Blade, 015A, 32Vdc, 2-35

G

Gasket, 2-15
 Gasket, Sensor, Thermal, 2-31
 Gasspring, 130Lb, 6.2Strk, 2-29
 Gauge, Hourmeter, 14-48vdc, Lcd, Rt, 1hr, 2-23
 Gearbox Kit, Brush, Side [S10], 2-15
 Gearbox, Reducer, 2-15
 Grip, Handle, Rnd, 2-27
 Grommet, Rbr, 0.38id, F/0.5h, .12 Matl, 2-19, 2-25
 Grommet, Rbr, 0.89id, F/1.2h, .14 Matl, 2-33
 Grommet, Rbr, 1.00id, 1.2hole, .19 Grv, 2-33
 Guide, Belt, 2-15
 Guide, Chain, Drive, Wheel, 2-9

H

Handle Weldment, Forward, Mantis, 2-25
 Handle Weldment, Main, Mantis, 2-25
 Handle Weldment, Reverse, Mantis, 2-25
 Handle, Brush Lift, 2-17
 Handle, Hopper Lift, 2-27
 Handle, Knuckle, 2-27
 Handle, Lift, 2-27
 Handle, Tee, 2-17
 Harness, Cable, Battery, 2-19
 Harness, Main, 24vdc [S10], 2-35
 Hinge, Lift Off, In-line, 2-33
 Hook, S, .14D 1.5L, Pl, 2-29
 Hopper W/Label Ce, 2-27
 Hopper W/Label N/A, 2-27
 Hose, Flex, Vacuum, 04.0d, 005.0l, 2-31
 Housing Wldt, Vac Fan, 2-31
 Housing, Flng, Brg, 2-31
 Hub, Drive, Brush, Side, 0.6b 01.75 Bc, 2-3
 Hub, Wheel, Machined, 2-9

I

Impeller, 9.00d X 0.376b, 2-31
 Indicator Kit, Discharge, Battery, Replmt, 2-23
 Indicator, Battery, 24Vdc, 2-23

K

Key [Set Of 2], 2-23
 Key, Sq, 0.12 X 0.12, 0.50l, 2-31
 Key, Sq, 0.19 X 0.19, 0.75l, 2-11, 2-15
 Key, Woodruff, 0.09 0.50 [Asa#0304], 2-9

CROSS REFERENCE

Key, Woodruff, 0.12 0.50 [Asa#0404], 2-7, 2-31
Keychain, Rectangle, Parts & Service, 2-23
Knob Assy, Rnd, 1.38d .31-.06 1.0l, Metal, 2-5, 2-19
Knob, Stud, .25-20 1.1, 2-29

L

Label Set, Info/Hzrd, Ce, Tw, 2-37
Label, Set, Info/Hzrd, Na, Tw, 2-36
Lever Wldt, Brake, 2-5
Lever Wldt, Direction Control, 2-7
Link, Chain, Rlr, #41, 1-1, 2-9
Lintel Weldmt, 2-5

M

Magnetic Strip Flex 1.0 .06 11, 2-33
Manual, Oprtr [S10 E, Bg Ce], 2-38
Manual, Oprtr [S10 E, Cz Ce], 2-38
Manual, Oprtr [S10 E, De Ce], 2-38
Manual, Oprtr [S10 E, Dk Ce], 2-38
Manual, Oprtr [S10 E, Ee Ce], 2-38
Manual, Oprtr [S10 E, En Ce], 2-38
Manual, Oprtr [S10 E, Es Ce], 2-38
Manual, Oprtr [S10 E, Fi Ce], 2-38
Manual, Oprtr [S10 E, Fr Ce], 2-38
Manual, Oprtr [S10 E, Gr Ce], 2-38
Manual, Oprtr [S10 E, Hu Ce], 2-38
Manual, Oprtr [S10 E, It Ce], 2-38
Manual, Oprtr [S10 E, Lt Ce], 2-38
Manual, Oprtr [S10 E, Lv Ce], 2-38
Manual, Oprtr [S10 E, Ni Ce], 2-38
Manual, Oprtr [S10 E, No Ce], 2-38
Manual, Oprtr [S10 E, Pl Ce], 2-38
Manual, Oprtr [S10 E, Pt Ce], 2-38
Manual, Oprtr [S10 E, Ro Ce], 2-38
Manual, Oprtr [S10 E, Ru Ce], 2-38
Manual, Oprtr [S10 E, Se Ce], 2-38
Manual, Oprtr [S10 E, Si Ce], 2-38
Manual, Oprtr [S10 E, Sk Ce], 2-38
Manual, Oprtr [S10 E, Tr Ce], 2-38
Manual, Oprtr [S10, Pt, Br], 2-38
Manual, Parts [S10, En], 2-38
Motor, Ele, 12Vdc 1375rpm 0.08hp 08.4a, 2-29
Motor, Ele, 12Vdc, Shakr, 2-29
Motor, Ele, 24vdc 2000rpm 1.00hp 40.0a, 2-7
Mount, Cable Tie, 2-29

N

Nut, Hex, Flexlock, .31-18, 2-20
Nut, Hex, Flng, M5 X 0.80, 2-15, 2-25
Nut, Hex, Flng, M6 X 1.00, 2-5, 2-19
Nut, Hex, Flng, M8 X 1.25, 2-5, 2-19, 2-31, 2-33
Nut, Hex, Jam, .25-20, 2-17
Nut, Hex, Jam, .31-24, 2-20, 2-25

Nut, Hex, Jam, .38-16, Lh, 2-17
Nut, Hex, Lock, .31-18, Ni, 2-9
Nut, Hex, Lock, .31-18, Ni, Thin, 2-9, 2-27, 2-29
Nut, Hex, Lock, .38-16, Ni, 2-7
Nut, Hex, Lock, #10-24, Ni, 2-23
Nut, Hex, Lock, M10 X 1.5, Ni, 2-31
Nut, Hex, Lock, M12 X 1.75, Ni, 2-7, 2-9
Nut, Hex, Lock, M3 X 0.50, Ss, 2-23
Nut, Hex, Lock, M4 X 0.70, Ni, Ss, 2-19
Nut, Hex, Lock, M5 X 0.80, Ni, 2-5, 2-25, 2-31
Nut, Hex, Lock, M6 X 1.00, Ni, 2-9, 2-13, 2-31, 2-33
Nut, Hex, Lock, M6 X 1.00, Ni, Ss, 2-27
Nut, Hex, Lock, M8 X 1.25, Ni, 2-7, 2-17, 2-25, 2-27, 2-29, 2-31
Nut, Hex, Std, .25-28, 2-20
Nut, Hex, Std, .38-16, 2-17
Nut, Hex, Std, .38-24, 2-17
Nut, Hex, Std, 10-32, 2-20
Nut, Hex, Std, M10 X 1.50, 2-5
Nut, Hex, Std, M3 X 0.50, A2, Ss, 2-19
Nut, Hex, Std, M6 X 1.00, A2, Ss, 2-7
Nut, Hex, Std, M6 X 1.00, Ss, 2-11
Nut, Hex, Std, M8 X 1.25, Ss, 2-15, 2-31
Nut, Retainer, R/.250D, 2-29
Nut, Spd, Clip, .25-20 [.025-.150], 2-29

O

Oprtr, Manual, Cn [S10], 2-38
Oprtr, Manual, En [S10], 2-38
Oprtr, Manual, Es [S10], 2-38
Oprtr, Manual, Fr [S10], 2-38
Oprtr, Manual, Jp [S10], 2-38

P

Paint, Airdry, Blk, 12oz (Not Europe), 1-1
Paint, Airdry, Gray, 12oz (Not Europe), 1-1
Paint, Airdry, Iron Gray, 12oz (Not Europe), 1-1
Paint, Airdry, Off-White, 12oz (Not Europe), 1-1
Paint, Airdry, Teal, 12oz, Solid (Not Europe), 1-1
Panel, Instrument W/Label Ce, 2-23
Panel, Instrument W/Label N/A, 2-23
Pin, 2-11
Pin, Clevis, 0.25d X 1.25l, 2-15
Pin, Clevis, 0.31d X 1.00l, 2-25
Pin, Clevis, 0.37d X 0.75l, 2-5
Pin, Clevis, 0.62d X 1.50l, 2-27
Pin, Cotter, .094 X 0.75, 2-25
Pin, Cotter, .125 X 1.00, 2-27
Pin, Cotter, Hair, 0.31D .058 Wir, 2-15
Pin, Dowel, 0.2502d X 1.50l, 2-11
Pin, Roll, .187d X 1.25l, .187/.192, 2-11, 2-13
Pin, Roll, .250d X 1.25l, .250/.256, 2-11, 2-13

Pin, Roll, .250d X 2.00l, .250/.256, 2-7
Pin, Roll, .312d X 1.87l, .312/.318, 2-11, 2-13
Plate, Backing, 2-31
Plate, Backing, Fan Housing, 2-31
Plate, Chain Guide, 2-9
Plate, Directional, Pivot, Machined, 2-7
Plate, Hopper Catch, 2-27
Plate, Support Shaker, 2-29
Plug, Drive, Brush, 2-11
Plug, Idler, Brush, Machining, 2-13
Pulley, Assy, 2-7

R

Relay, 24vdc, 40a Spdt, 2-23
Retainer, 1-1, 2-5, 2-7, 2-11, 2-15
Retainer, Belt, 2-7
Retainer, Lip, 1-1, 2-27
Retainer, Rear Seal, 2-5
Retainer, Screw, 2-5, 2-29
Retainer, Skirt Lh, Side, 1-1, 2-5
Retainer, Skirt, Rh, Side, 1-1, 2-5
Rim, Half, 06.5 X 0.50 4.5bc/6bolt Inner, 2-9
Rim, Half, 06.5 X 0.50 4.5bc/6bolt Outer, 2-9
Ring, Retaining, Ext, 0.62d, Basic, 2-11, 2-13
Ring, Retaining, Int, 1.18d, [Inverted], 2-11, 2-13
Ring, Retaining, Int, 1.38d, Basic, 2-11
Rivet, Blind, .125d X 0.44 X .25d, Alm, 2-29
Rivet, Plstc, .250d X 0.90, 2-33
Rod, Brush Lift, 2-17
Rod, Lower, Dir Cntrl Link, 2-25
Rod, Propel Control, 2-25
Rod, Upper, Control Lever, 2-25

S

Screw, Flt, .38-16 X 0.75, Al, 2-7
Screw, Flt, M5 X 0.8 X 12, 10.9, 2-5
Screw, Flt, Soc, M6 X 1.00 X 16, 10.9, 2-11
Screw, Hex, .31-18 X 1.50, G5, 2-27
Screw, Hex, .38-16 X 1.00, G5, 2-7
Screw, Hex, .38-16 X 1.25, G5, 2-7
Screw, Hex, #06-20 X 0.38, Fmg [Ab], 2-31
Screw, Hex, #10-24 X 0.50, Tcut, 2-5, 2-29
Screw, Hex, #10-24 X 0.75, Fmg, 2-5
Screw, Hex, M10 X 1.5 X 20, Ss, 2-27
Screw, Hex, M10 X 1.5 X 60, Fl, 2-5
Screw, Hex, M10 X 1.5 X 75, 8.8, 2-31
Screw, Hex, M12 X 1.75 X 100, 8.8, 2-5
Screw, Hex, M12 X 1.75 X 25, 8.8, 2-5
Screw, Hex, M4 X 0.70 X 12, 8.8, 2-19
Screw, Hex, M4 X 0.70 X 20, 8.8, 2-19

Screw, Hex, M5 X 0.8 X 10, Fmg, 2-5, 2-33
 Screw, Hex, M5 X 0.8 X 12, 8.8, 2-13
 Screw, Hex, M5 X 0.8 X 12, Ss, 2-5
 Screw, Hex, M5 X 0.80 X 12, 8.8, 2-31
 Screw, Hex, M5 X 0.80 X 16, 8.8, 2-15, 2-25, 2-33
 Screw, Hex, M6 X 1.0 X 16, 8.8, 2-5
 Screw, Hex, M6 X 1.0 X 16, Fmg, 2-5, 2-9, 2-17, 2-19
 Screw, Hex, M6 X 1.0 X 16, Ss, Ni, 2-9, 2-15, 2-33
 Screw, Hex, M6 X 1.0 X 20, 8.8, 2-13, 2-19, 2-31
 Screw, Hex, M6 X 1.0 X 25, 8.8, 2-9
 Screw, Hex, M6 X 1.0 X 35, 8.8, 2-9
 Screw, Hex, M6 X 1.00 X 16, Ss, 2-9, 2-27
 Screw, Hex, M6 X 1.00 X 20, 8.8, 2-33
 Screw, Hex, M8 X 1.25 X 20, 8.8, 2-7, 2-19, 2-29, 2-31, 2-33
 Screw, Hex, M8 X 1.25 X 20, Fmg, 2-7
 Screw, Hex, M8 X 1.25 X 20, Ss, 2-15
 Screw, Hex, M8 X 1.25 X 25, Ss, 2-5
 Screw, Hex, M8 X 1.25 X 30, 8.8, 2-25, 2-27
 Screw, Hex, M8 X 1.25 X 35, 8.8, 2-17
 Screw, Hex, M8 X 1.25 X 50, Ss, Fl, 2-15
 Screw, Hex, M8 X 1.25 X 55, Ss, 2-25
 Screw, Level .38-16 X 2.50, 2-7
 Screw, Pan, #10-32 X 0.62, Phl, Ss, 2-19
 Screw, Pan, M5 X 0.80 X 10, 4.8, 2-33
 Screw, Pan, M5 X 0.80 X 6, 4.8, 2-33
 Screw, Pan, Phl, 10-24 X 1.50, G1, 2-23
 Screw, Pan, Phl, M3 X 0.50 X 30, 4.8, 2-19
 Screw, Set, .25-20 X 0.31, Ni, 2-9
 Screw, Set, .31-18 X 0.38, Ni, 2-7, 2-31
 Screw, Set, #10-24 X 0.25, Ni, 2-29
 Screw, Set, M6 X 1.0 X 8, Ni, 2-11
 Screw, Set, Soc, M6 X 1.00 X 8, Ni, 2-7
 Screw, Thumb, 2-29
 Seal, 2-17
 Seal, Lip, 90, 1.3w . Grip 054.0l, 1-1, 2-29
 Seal, Rbr, Clsd, 1.00, 4.9d 03.9h, 1-1, 2-31
 Seal, Rbr, Open, 0.19, 0.38w 09.6l, 1-1, 2-5
 Seal, Rbr, Open, 0.19, 0.38w 19.2l, 1-1, 2-5
 Seal, Rbr, Open, 0.50, 0.75w 92.0l Adh, 1-1, 2-29
 Sensor Assy, Thermal, 140deg, Nc [Reset], 2-31
 Service, Manual, En [S10], 2-38
 Shaft Wldmt, Brush Lift, 2-17
 Shaft, Drive, Vacuum Fan, 2-31
 Shaft, Long, 2-11
 Shaft, Short, 2-13
 Sheave Assy, Drive, Brush [S10], 2-11
 Sheave Half, Inner, Machining, 2-11
 Sheave, Half, Outer, 2-11

Sheave, 01grv, 02.5pd 0.62b [3l], 2-15
 Sheave, 01grv, 1.8/2.1pd 0.63b [3l/4l], 2-31
 Sheave, 1grv, 1.8/2.1pd 0.63b [3l/4l], 2-7
 Sheave, Combination, 2-7
 Sheave, Flat, 1.8d 1.38w 0.67b, 2-7
 Sheave, Flat, 6.8d 1.42w 2.12b, 2-9
 Sheave, Idler, Brush, Drive, Machining, 2-11
 Skirt, Neo, .12, 03.00w 12.80l, 04/ Sl, 1-1, 2-5
 Skirt, Neo, .19, 02.88w 27.38l, 07/ Sl, 2-5
 Sleeve, 2-9, 2-25, 2-31
 Spacer, Directional Plate, 2-7
 Spring, Extn, 0.41od 0.07wir 01.6l, 2-11
 Spring, Extn, 0.56od 0.05wir 02.0l, 2-25
 Spring, Extn, 0.62od 0.07wir 04.0l, 2-7
 Spring, Extn, 1.10od 0.15wir 03.2l, 2-5
 Spring, Torsion, 2-25
 Sprocket, #41, 08tooth, 0.50b, 2-9
 Sprocket, #41, 45tooth, 2.250b, 2-9
 Strap, 2-19
 Strap, Cable, 2-19
 Strap, Shaker Motor, 2-29
 Strip, 2-17
 Strip, Rbr, 0.06 03.90w 10.0l, 2-29
 Stud, Ball, .39d .31-16, Gasspring, 2-29
 Support, Battery Tray, 2-7
 Support, Rear, 2-33
 Switch, Key, Spdt, 2-23
 Switch, Toggle, 10a Spst, Sealed, 2-23

T

Tie, Cable, Nyl, 11.0l, .14w, 3.0 Max. D, 2-19, 2-29
 Timer, 12vdc, 20 Sec, One-Shot, 2-23
 Tip, Rbr, 0.94d 0.59b 0.88l, 2-5
 Tire, 10.0x2.00 [Ehs], 2-9
 Tray Wldt, Batt Lh, 2-19
 Tray Wldt, Batt Rh, 2-19
 Tube, 2-5
 Tube, 0.16id 0.38od 00.3l, Ss, 2-19
 Tube, 0.38ld, 0.56Od, 00.2L, Stl, Pl, 2-7
 Turnbuckle, Body, .38thread, 03.9l, 2-17

V

Video, Oprtr, Dvd [S10], 2-38

W

Wall Chart [S10], 2-38
 Washer, Flat, #06, Ss, 2-19
 Washer, Flat, #10, 2-31, 2-33
 Washer, Flat, 0.22b 0.50d .05, Ss [#10], 2-5, 2-33
 Washer, Flat, 0.25, Sae, 2-5, 2-19, 2-33
 Washer, Flat, 0.25, Std, 2-15, 2-25
 Washer, Flat, 0.25b 0.56d .05, Pl, 10, 2-19
 Washer, Flat, 0.27b 0.69d .05, Ss, 2-9, 2-13, 2-15, 2-27, 2-31

Washer, Flat, 0.31, Fendr, 2-33
 Washer, Flat, 0.31, Sae, 2-9, 2-20, 2-27
 Washer, Flat, 0.31, Std, 2-5, 2-7, 2-17, 2-19, 2-25, 2-27, 2-29, 2-31, 2-33
 Washer, Flat, 0.34b 1.25d .11, Ss, 2-19
 Washer, Flat, 0.38, Std, 2-27
 Washer, Flat, 06, Ss, 2-19
 Washer, Flat, 10, 2-13
 Washer, Flat, 10, Ss, 2-20
 Washer, Flat, Belleville, .25, 2-19, 2-31
 Washer, Lock, Int-Ext, 10, 2-5
 Washer, Lock, Int, #10, Ss, 2-19
 Washer, Lock, Int, 0.25, 2-19
 Washer, Lock, Int, 0.31, 2-20
 Washer, Lock, Int, 04, 2-19
 Washer, Lock, Int, 10, 2-20
 Washer, Rivet, 2-29
 Washer, Sealing, 0.28B 1.25D Ss, Neo, 2-29
 Washer, Sealing, M8, 2-29
 Washer, Thrust, 0.63b 1.12d 0.06[Toring], 2-13
 Washer, Wavy, 0.53b 0.81d .09, 2-25
 Weight, Eccentric, 2-29
 Weight, Eccentric, Pntd, 2-29
 Wheel Assy [S10], 2-9

Y

Yoke,End,Adjustable, 2-17