

BR 755, BR 855

Model:
BR755
BR755C
BR855



Part List English

10-01-2014

Table of Contents

BR 755, BR 855

Chassis system	3
Control system	6
Decal system	9
Electrical system	11
Recovery system	14
Scrub system-cylindrical	16
Scrub system-cylindrical-skirt assemblies	19
Scrub system-BR 755 disk	21
Scrub system-BR 855 disk	24
Scrub system-disk-skirt assemblies	27
Solution system	29
Squeegee system	32
Squeegee assembly - BR 755	34
Squeegee assembly - BR 855	36
Wiring diagram	38
Optional kits and accessories	40
Brush selector guide-disk	43
Brush selector guide-cylindrical	45
Recommended spare parts	47
56314312/56422162 - Seat Belt Kit	50
56314981/56601527 - Battery Watering Kit, fig. 1	52
56314981/56601527 - Battery Watering Kit, fig. 2	54
56601085 - Beacon Kit	56
56601082 - EDS Onboard Chemical Kit	58
56601087 - Vacuum Wand Kit	60
56601090 - Dual Vac Kit	62
56601700 - BR 755 Disk Deck Assy Kit	64
56601701 - BR 855 Disk Deck Assy Kit	66
56601756 - BR755 Cylindrical Deck Assy Kit	68
56601080 - On Board Charger Kit EU	70
56382635 - Squeegee spring kit	72

Chassis system

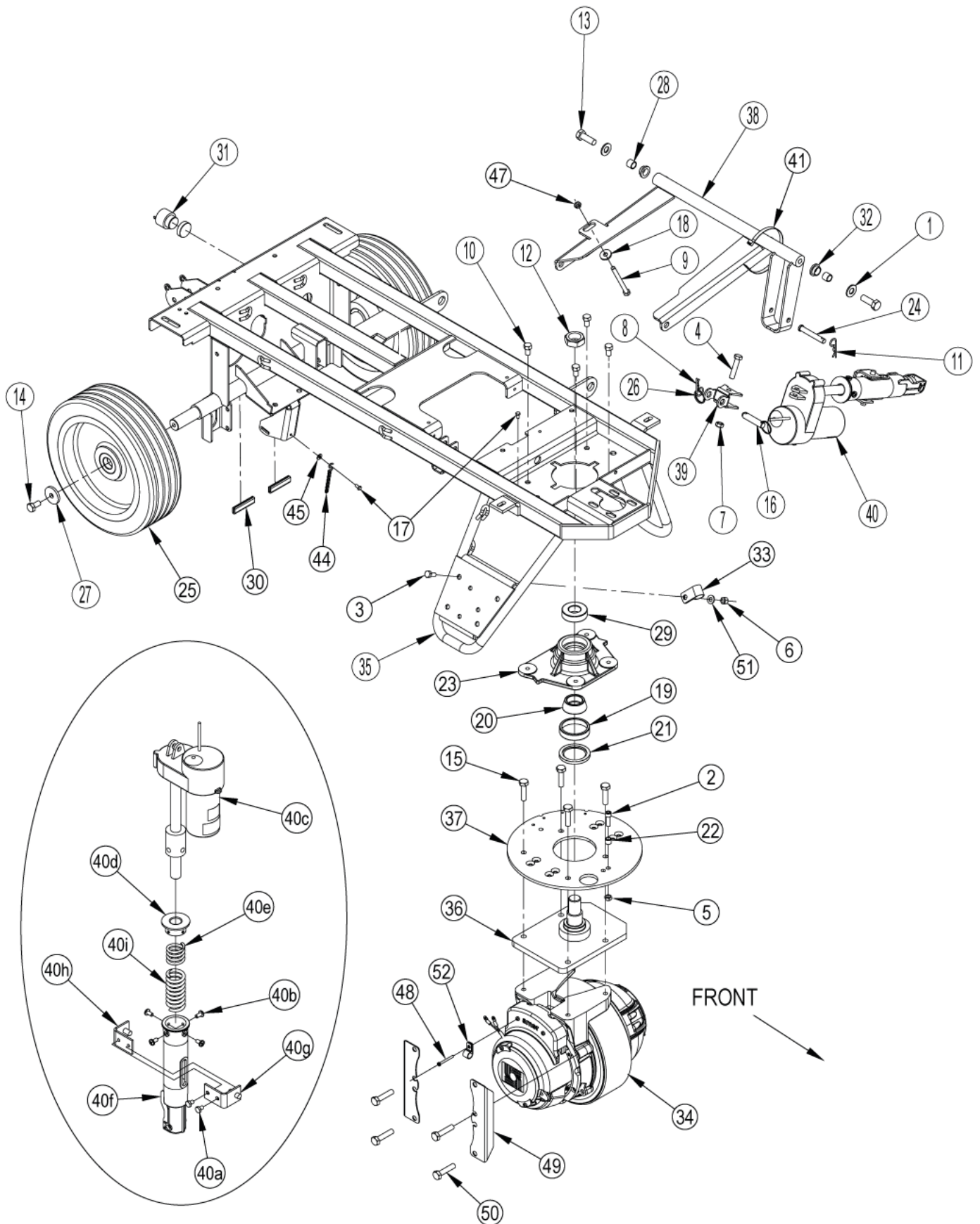
BR 755, BR 855

10-01-2014

Part List ID

BR7553

3



Chassis system

BR 755, BR 855

10-01-2014

Part List ID
BR/7553

4

Pos	Part no.	Qty	Description	
1	56001879	2	Washer flat Sae 1/2	
2	56002129	1	SCR-SOC HD 5/16-18 X 1.00	
3	56003012	1	56003022X 3/4 SS BOLT	
4	56002684	1	3/8-16 X 1-3/4 BOLT	
5	56002826	1	Nut Hex Nyloc Thin (s/s) replaced by 56002701	
6	56002856	1	Nut Hex Nyl Loc SS 5/16-1	
7	56002841	1	3/8-16 THIN NYL LOC NUT	
8	56002959	1	Pin Cot Hair SS.125x.5dia	
9	56003008	1	SCREW	
10	56003040	4	SCR HEX HD LOC 3/8-16 X 0	
11	56003120	1	Cotter Hair Pin	
12	56003220	1	NUT,HEX NYL THIN 1-14 UNF	
13	56003412	2	SCR, HEX NYL LOC M12-1.75	
14	56003442	2	Screw	
15	56003491	4	SCR HEX M10-1.50 X 40MM	
16	56003679	1	PIN RING .50 X 1.63	
17	56009012	1	Screw	
18	56009122	1	WASHER, FLT .344X.938X.12	
19	56158143	1	BEARING TR CP 2.44 E00135	
20	56158151	1	BEARING TR CN 1.250V51Y_E	
21	56171081	1	SEAL SHAFT 1.750 PE202S	
22	56244941	1	Bushing .31x.50x.40Fc428E	
23	56314032	1	BLOCK BEARING	
24	56003803	1	PIN CLEVIS SS.375 X 2.50	
25	56382693	1	WHEEL	
26	56317071	1	RING	
27	56367117	2	Washer	
28	56367206	2	Bushing Cv32G	
29	56378380	1	Ball Bearing .9843 Cr25D	
30	56412122	2	TRIM EDGE	
31	56412177	1	HORN / BACKUP ALARM	H2
32	56420160	2	Bearing Flange	
33	56469380	1	CLAMP, CABLE .75	
34	56422174	1	TIRE PULLER KIT	NOT SHOWN
34	56504482	1	COVER DRIVE MOTOR	NOT SHOWN
34	56601050	1	MOTOR DRIVE WHEEL	M1
34	56601471	1	RAD	NOT SHOWN
34	56601472	1	TIRE WITH HUB	NOT SHOWN
34	56601473	1	MOTOR	NOT SHOWN
34	56601507	1	PARKING BRAKE	NOT SHOWN
34	56601509	1	CARBON BRUSH KIT	NOT SHOWN
35	56114199	1	CHASSIS WELDMENT	
36	56601077	1	SPINDLE WELDT	

Chassis system

BR 755, BR 855

10-01-2014

Part List ID

BR7553

5

Pos	Part no.	Qty	Description
37	56314116	1	PLATE, STEERING
38	56601239	1	DECK LINKAGE WELDT
39	56601328	1	YOKE ACTUATOR
40	56601432	1	LIFT ACTUATOR ASSEMBLY M4
41	56477613	1	Cable Tie E00549 Re409S
42		1	Screw Hex 10-24 x 1/2
43		1	Washer flat Sae 10
44	56601716	1	GROUND CHAIN
45	56009011	1	Washer
46		1	WASHER, INT SHAKEPRO
47	56009086	1	5/16-18 JAM NUT
48	L08603733	1	SCREW
49	56344100	2	BRACKET WHEEL
50	56003445	4	SCR HEX NYL LOC M10-1.50X 45MM
51	56002938	1	5/16 SS FLAT WASHER
52	56486112	1	P Clamp Ax
40A	56009019	2	Screw
40B	56009062	4	SCR PHIL THD1/4-20X-20X.5
40C	56393303	1	Actuator
40D	56396268	1	SPRING HOUSING GUIDE
40E	56412071	1	COMPRESSION SPRING
40F	56412262	1	HOUSING SPRING
40G	56420019	1	Nut retainer
40H	56420020	1	NUT RETAINER WELDMENT 140498
40I	56601470	1	COMPRESSION SPRING

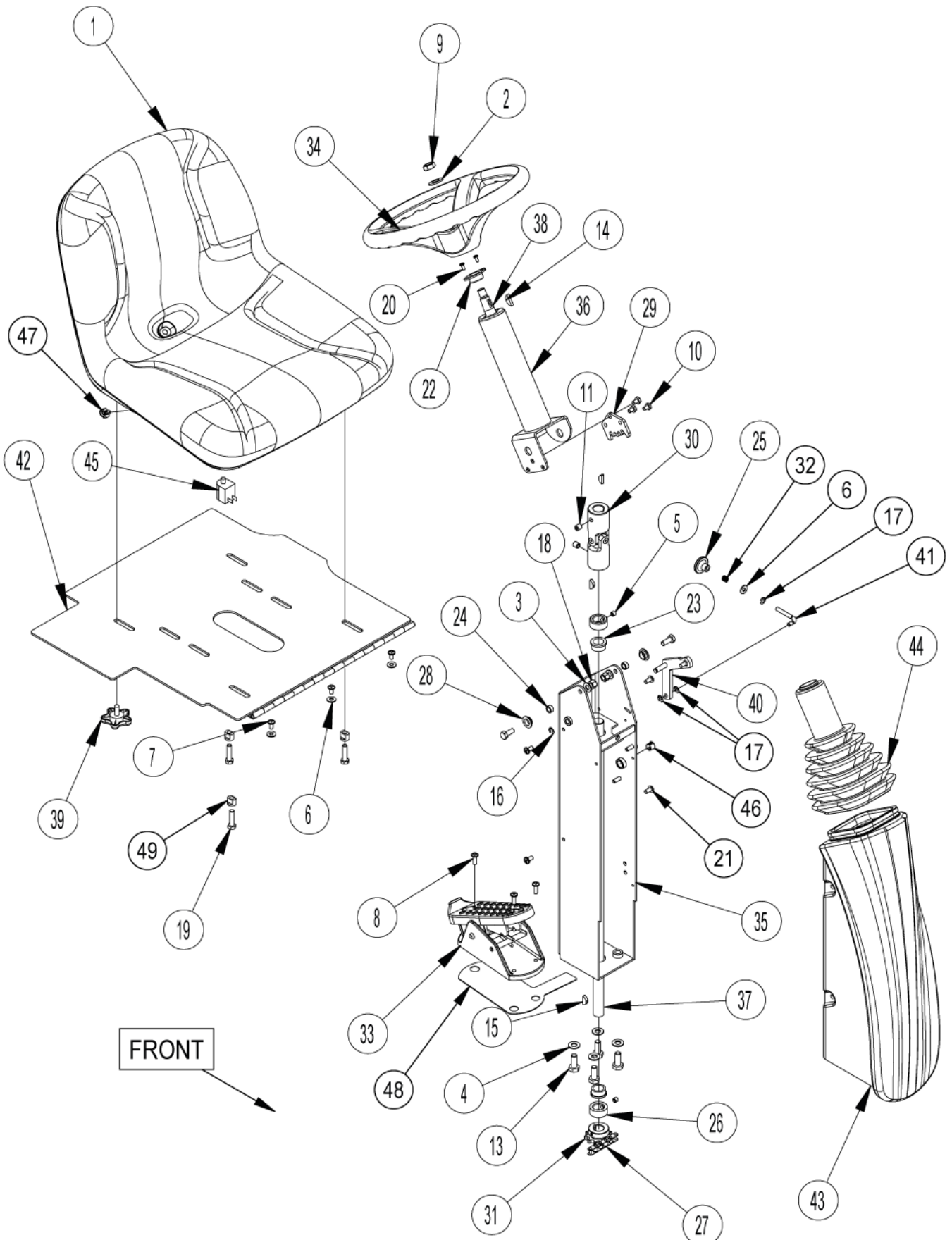
Control system

BR 755, BR 855

10-01-2014

Part List ID
BR7555

6



Control system

BR 755, BR 855

10-01-2014

Part List ID
BR/7555

7

Pos	Part no.	Qty	Description
1	56383187	1	SEAT
2	56001879	1	Washer flat Sae 1/2
3	56001939	2	Washer flat Sae 5/16
4	56002063	4	Washer flat Sae 3/8
5	56002086	2	Scr Soc Set 5/16-18 x .25
6	56002859	4	Washer flat Sae SS 1/4
7	56003119	3	1/4-20 X 1/2 SS SCREW
8	56002957	3	1/4-20 C 3/4 SS SCREW
9	56002843	1	Nut (obsolete)
10	56002933	3	1/4-20 X 3/8 LOC SCREW
11	56003081	2	Set Screw
12	56003179	2	Screw
13	56003186	4	SCR HEX THD TO HD M10-1.5 X 25MM
14	56003227	1	Key Wdf
15	56003228	3	KEY WOODRUF
16	56003261	1	RING, RET EXT TYPE E
17	56003268	3	Ring
18	56003389	2	NUT HEX NYL LOC M*-1.25
19	56001834	3	Scr Hex Hd 5/16-18 x 1.25
20	56009051	2	Screw Pan Phil thd Form
21	56009062	4	SCR PHIL THD 1/4-20X-20X.5
22	56100393	1	BUSHING
23	56250414	2	Bearing Flange .752Fa1J_E
24	56320595	2	Bushing .31x.50x.28Hc18M
25	56362778	1	KNOB 1.25 X 1/4-28 CA29M
26	56367095	2	Collar Shaft .750 Cv31A
27	56412198	1	CHAIN ROLLER
28	56413211	2	BEARING FLANGE 625X 500X 250
29	56413658	1	RATCHET,STEERING COLUMN
30	56454081	1	Universal joint
31	56471148	1	Sprocket H40B11 Re188C
32	56578222	1	Spring Com .36X.875 E0045
33	56601052	1	FOOT PEDAL ASSY
34	56601060	1	STEERING WHEEL
35	56601850	1	LOWER COLUMN WELDT
36	56601169	1	UPPER COLUMN WELDMENT
37	56601223	1	SHAFT LOWER STEERING
38	56601224	1	SHAFT UPPER STEERING
39	56601271	1	KNOB 5/16 STUD
40	56601284	1	STEERING PAWL WELDMENT
41	56601292	1	PULL LEVER
42	56601362	1	SEAT PANEL WELDMENT
43	56601484	1	SHROUD STEERING

NOTE 1: Seat 8-69-00022 has been replaced by Seat 56383187 in production. Please order Seat Kit 56383240 when replacing Seat 8-69-00022.

Control system

BR 755, BR 855

10-01-2014

Part List ID
BR 7555

8

Pos	Part no.	Qty	Description
44	56601500	1	BOOT STEERING
45	7-82-00050	1	SWITCH SEAT
46	56601683	1	PLUG-CAP
47	56315382	1	CLIP CONDUIT
48	56601601	1	FOOT PEDAL PLATE
49	56383230	3	FLANGED BUSHING SEAT
K1	56114304	1	HARDWARE KIT-SEAT

Incl. pos. 6,7,19,49

NOTE 1: Seat 8-69-00022 has been replaced by Seat 56383187 in production. Please order Seat Kit 56383240 when replacing Seat 8-69-00022.

Decal system

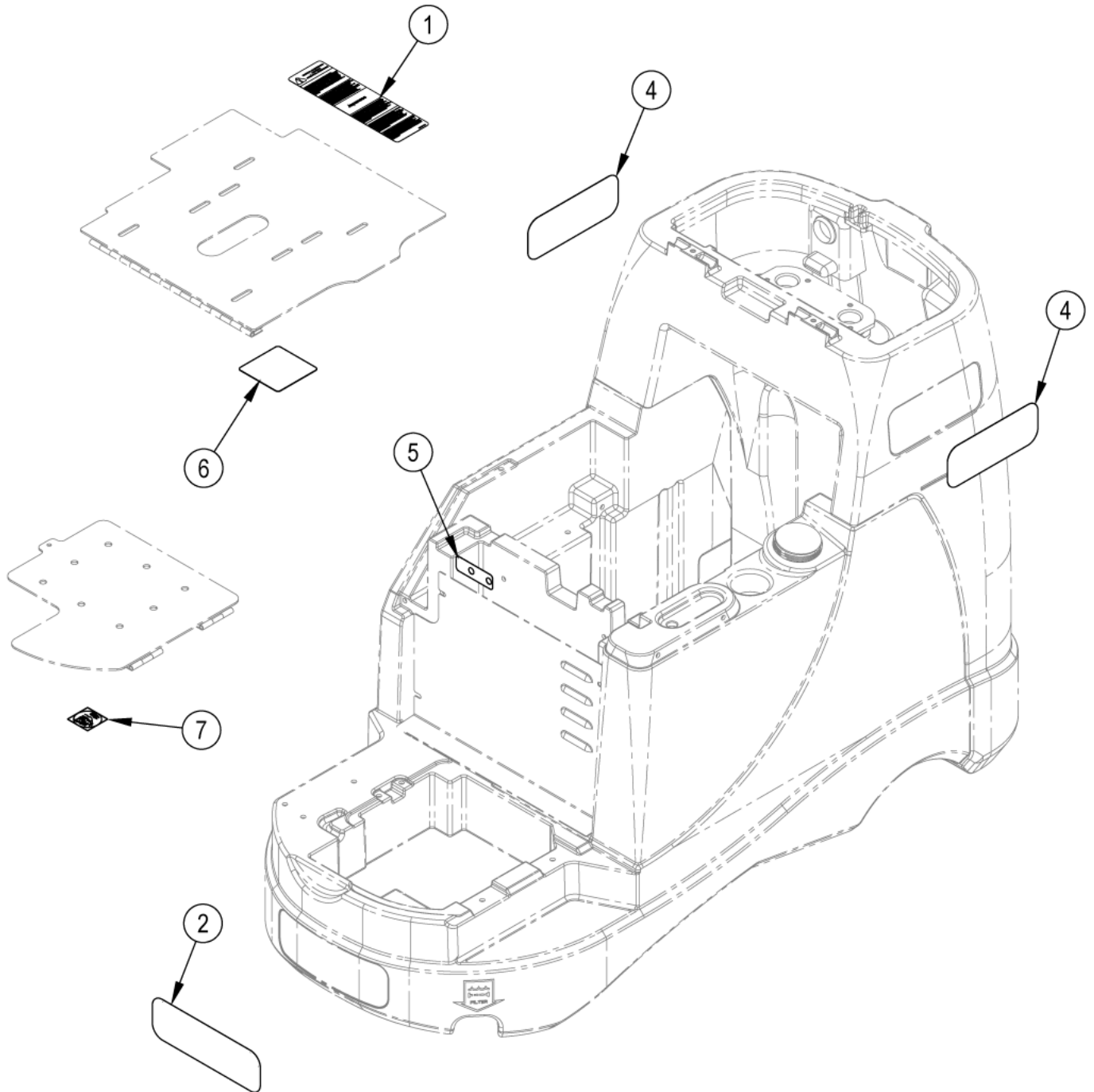
BR 755, BR 855

10-01-2014

Part List ID

BR7557

9



Decal system

BR 755, BR 855

10-01-2014

Part List ID

BR755/

10

Pos	Part no.	Qty	Description
1	56014601	1	DECAL, CAUTION
2	56016731	1	DECAL,NILFISK
4	56601303	2	DECAL BR755
4	56601305	2	DECAL BR855
5	56601414	1	DECAL CIRCUIT BREAKER
6	56601416	1	DECAL BATTERY WIRING
7	56380254	1	DECAL OPEN WHEN CHARGING

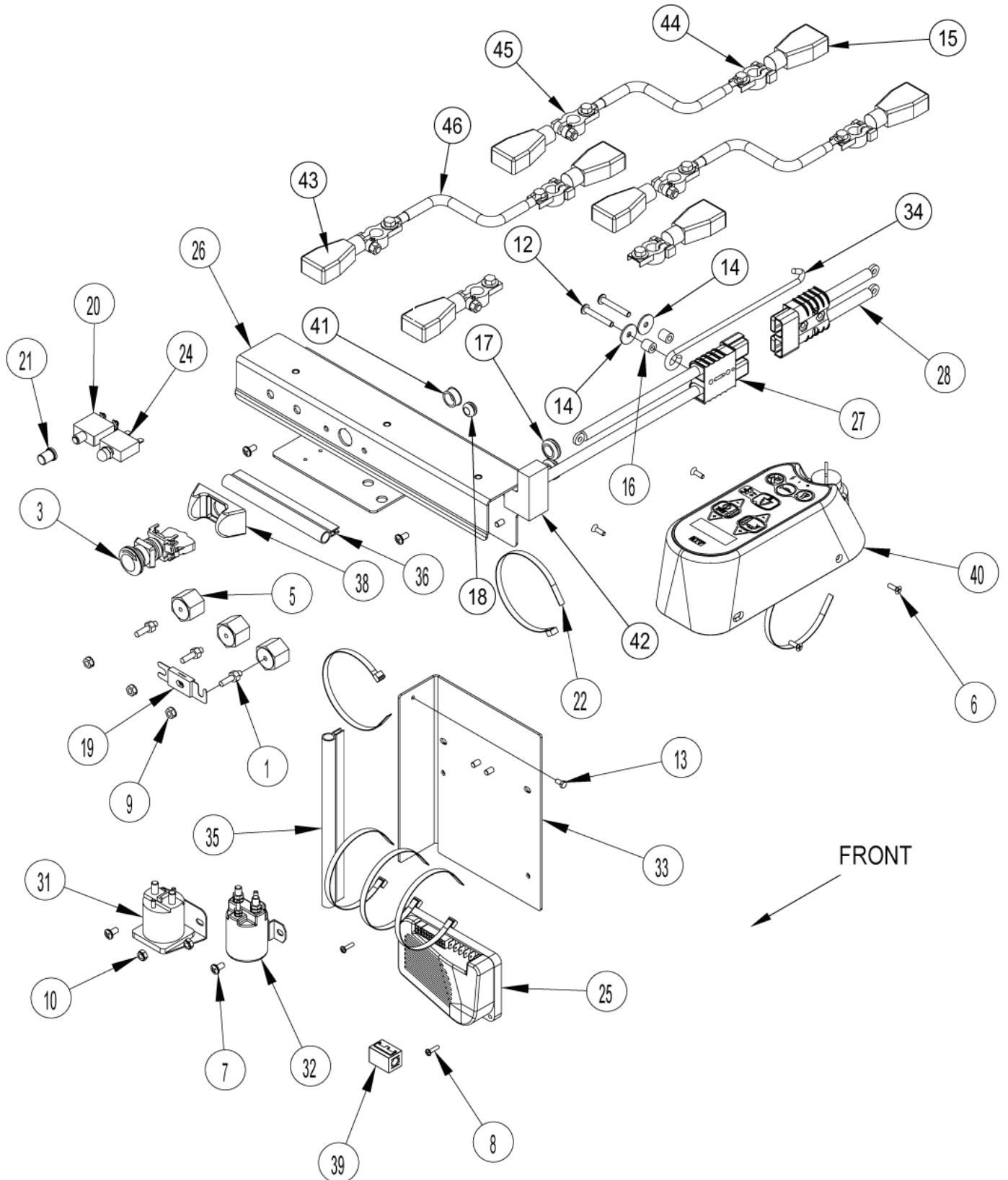
Electrical system

BR 755, BR 855

10-01-2014

Part List ID
BR7559

11



Electrical system

BR 755, BR 855

10-01-2014

Part List ID
BR7559

12

Pos	Part no.	Qty	Description	
1	83302A	2	STUD 1/4-20	
3	56407130	1	Switch (emergency)	S4
5	56469858	3	Insulated Standoff	
6	56003056	4	SCR FLT PHIL SS 10-24 X.	
7	56009069	4	Screw	
8	56002146	2	SCR PAN HD PHIL 8-32 X.6	
9	56002561	3	NUT KEPS 1/4-20	
10	56002840	2	Nut Hex Nyl (s/s) replaced by 56002708	
12	56002997	2	SCR PAN PHIL 1/4-20 X 1.7	
13	56009012	1	Screw	
14	56009060	2	Washer	
15	2-00-05173	4	BAT TERMINAL COVER BLK	
16	56046309	2	SPACER PHENOLIC	
17	56157376	2	GROMMET 1 OD X 9/16 ID X 5/	
18	56321540	1	GROMMET .500 HC42D	
19	56412089	1	FUSE 150 AMP	F1
20	56454429	1	Circuit Breaker 70A	CB1
21	56459369	1	BOOT,RESET BUTTON_E00586	
22	56477613	9	Cable Tie E00549 Re409S	
24	56507644	1	CIRCUIT BREAKER	CB2
25	56601061	1	SPEED CONTROL	A2
26	56601854	1	PANEL	
27	56601171	1	CONNECTOR	
28	56601172	1	CONNECTOR ASM	
29	56601174	1	HARNESS MAIN	NOT SHOWN
30	56344205	1	HARNESS-TRACTION	NOT SHOWN
31	56601183	1	CONTACTOR	K1
32	56412179	1	Contactor	K2
33	56601185	1	PANEL	
34	56601215	1	PROP ROD SEAT	
35	56601251	1	GASKET	
36	56601252	1	GASKET	
37	56601431	1	CABLE ASSEMBLY	NOT SHOWN
38	56601434	1	EMERGENCY BUTTON GUARD	
39	40849A	1	SUPPRESSOR EMI SPLIT	
40	56303526	1	KEY, REPLACEMENT SET OF 2	NOT SHOWN
40	56303553	1	KEY SWITCH ASSEMBLY	S1 - NOT SHOWN
40	56601096	1	KIT INTERFACE PA	Membrane Switch, Interface Panel - NOT SHOWN
40	56601565	1	INTERFACE PANEL	A1
41	56900144	1	Plug	
42	56601600	1	FOAM INSERT	
43	2-00-05171	4	BAT TERMINAL COVER RED	
44	L08812064	4	Battery plug minus	

Electrical system

BR 755, BR 855

10-01-2014

Part List ID

BR7559

13

Pos	Part no.	Qty	Description
45	L08812063	4	Battery plug plus
46	56409485	3	Cable battery

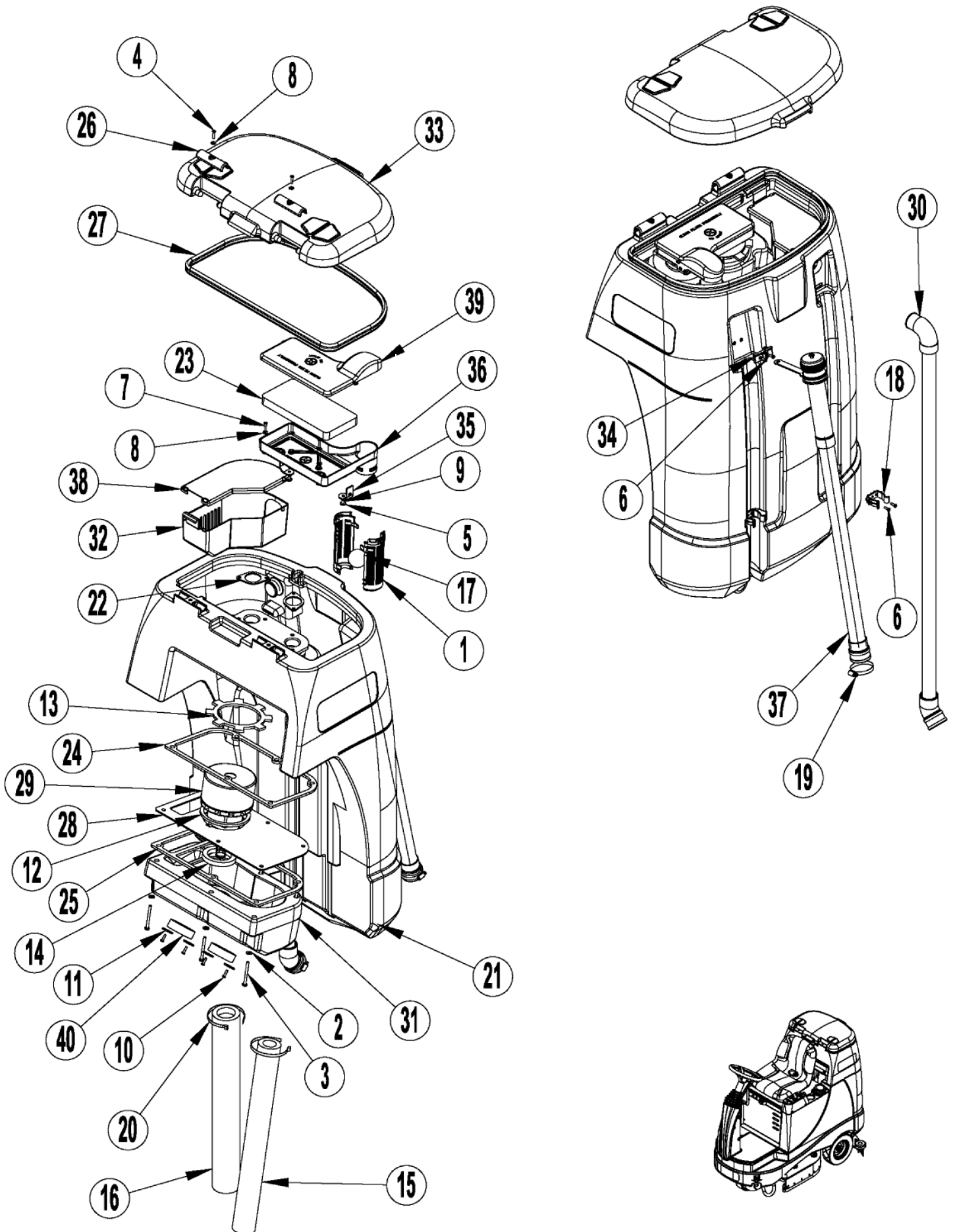
Recovery system

BR 755, BR 855

10-01-2014

Part List ID
BR75511

14



Recovery system

BR 755, BR 855

10-01-2014

Part List ID
BR75511

15

Pos	Part no.	Qty	Description	
1	56324497	2	Cage	
2	56002098	6	Washer flat Sae 1/4	
3	56003867	6	SCR-HEX LOC 1/4-20 X 3.00	
4	56003951	2	SCR-PAN PHIL LOC SS 10-24X .88	
5	56002859	2	Washer flat Sae SS 1/4	
6	56002896	6	Scr Pan Phil SS 10-24 x 0	
7	56002898	4	SCR PAN PHIL SS 10-24 X 1	
8	56002916	6	Washer flat replaced by 56009205	
9	56003799	2	PLASTITE 1/4-10 x 1/2	
10	56009005	4	Screw	
11	56003817	4	WSH-FLT SS .281 x 1.25 x .05	
12	56212143	1	GASKET VACUUM DUCT	
13	56264103	1	Gasket Vac Motor	
14	56314760	1	GASKET VACUUM DUCT	
15	56315375	1	FOAM ACOUSTICAL HOSE	
16	56315847	1	FOAM TUBE ASSEMBLY	
17	56391690	1	Ball Float	
18	56407361	2	Clamp plastic	
19	56440213	1	Clamp hose Sae #32E00047	
20	56477613	2	Cable Tie E00549 Re409S	
21	56601120	1	RECOVERY TANK	
22	56601121	2	GASKET VAC FILTER	
23	56601125	1	FILTER	
24	56601126	1	GASKET EXHAUST	
25	56601127	1	GASKET VAC	
26	56601128	2	HINGE CLAMP	
27	56114185	1	GASKET RECOVERY TANK	
28	56601131	1	VAC PLATE STANDARD	
29	56397098	1	CARBON BRUSH SET	SET OF 2 - NOT SHOWN
29	56601488	1	VAC MOTOR W/SUPPRESSION	M5
30	56601136	1	RECOVERY HOSE	
31	56601137	1	VAC MOTOR COVER	
32	56601138	1	STRAINER BASKET	
33	56601139	1	LID RECOVERY TANK	
34	56601204	1	HOOK DRAIN HOSE	
35	56601250	2	STRAP FILTER COVER	
36	56601253	1	FILTER BOX	
37	56381918	1	DRAIN HOSE RIBBED	TSB--US 2011--0015 Drain Hose Improvement
38	56601421	1	COVER DEBRIS	
39	56601451	1	COVER FLTR BOX W/GSKT	
40	56344168	2	FILTER	

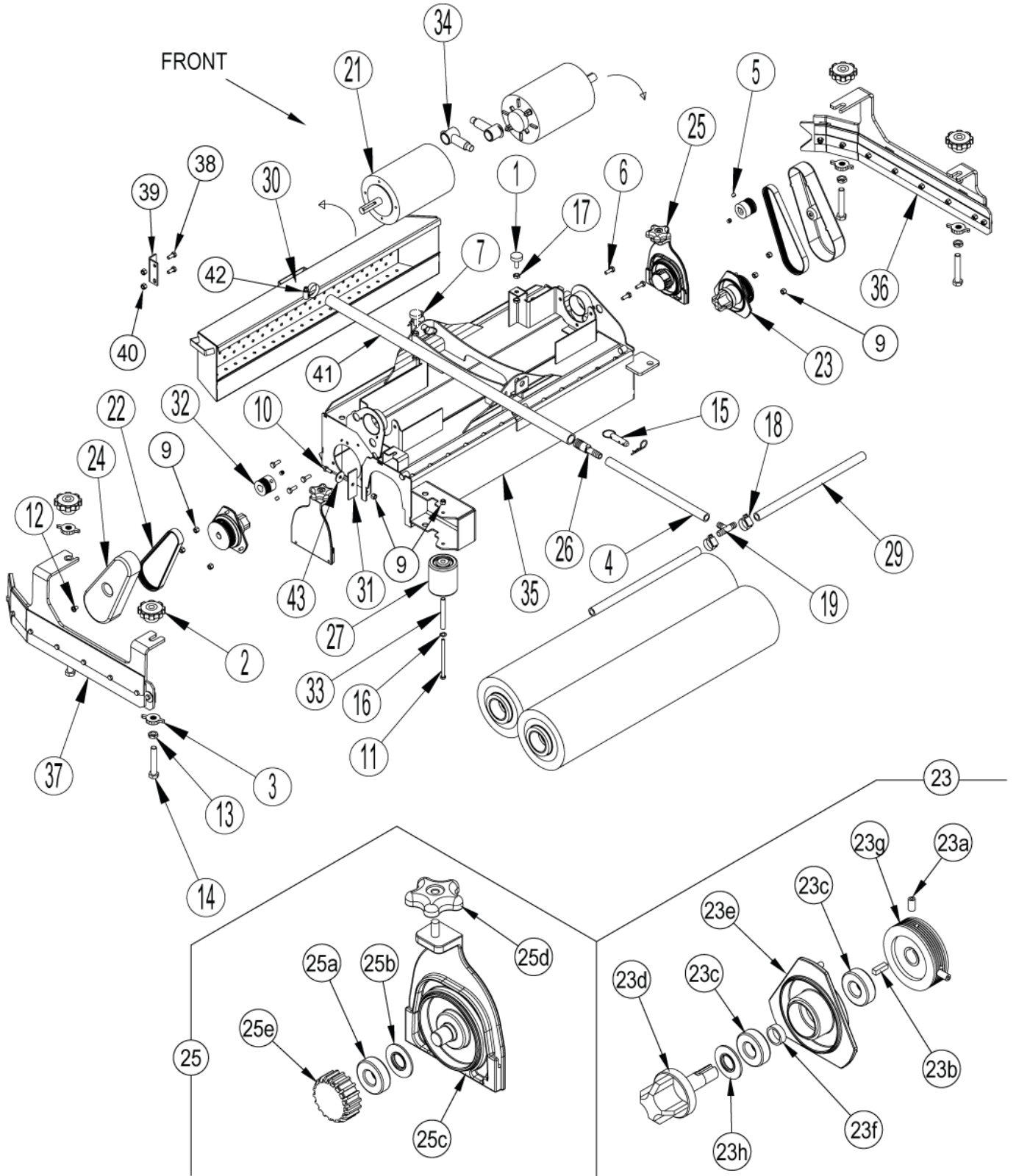
Scrub system-cylindrical

BR 755, BR 855

10-01-2014

Part List ID
BR75513

16



Scrub system-cylindrical

BR 755, BR 855

10-01-2014

Part List ID
BR75513

17

Pos	Part no.	Qty	Description
1	56401783	2	Leveller, one inch
2	56380149	4	KNOB M12 1.75 TSBUS2010-1060
3	56601578	4	KNOB
4	56409462	1	Hose, spiral
5	56002086	4	Scr Soc Set 5/16-18 x .25
6	56002948	6	Scr Hex Hd Loc 1/4-20(s/s)
7	56002959	2	Pin Cot Hair SS.125x.5dia
9	56003426	9	NUT HEX NYL LOC SS M6-1.0
10	56003431	2	SCR HEX HD SS M6-1.0 X 16 MM 16 pieces in a pack
11	56003939	1	SCR-HEX SS M6-1 X 95MM
12	56003603	2	SCR,PAN PHILTHDFORM 1/4-2
13	56003657	4	NUT, HEX JAM M12-1.75
14	56003658	4	SCR THD TO HD SS M12-1.75
15	56003671	2	PIN, RING .50 X 1.25
16	56009045	2	Washer
17	56009086	4	5/16-18 JAM NUT
18	56112771	2	Clamp hose Sae 10 E00047
19	56262549	1	Tee
21	56315061	2	MOTOR 24VDC .5HP 1800RPM M7 / M8, TSBUS2010-1058
21	56412258	4	BRUSH ASSY (4 PER MOTOR) NOT SHOWN
21	56412259	4	BRUSH SPRING (4 PER MOTOR) NOT SHOWN
21	56412287	1	BRUSH / SPRING KIT (1 PER MOTOR) NOT SHOWN
22	56315321	2	BELT, AUTO TENSION
23	56407559	2	DRIVE END ASSY
24	56315445	2	COVER, BELT
25	56314445	1	IDLER END ASSEMBLY
26	56315625	1	BARB COUPLER 3/4 X 1/2
27	56316089	1	WHEEL
28	56316210	2	HARNESS BRUSH MOTOR NOT SHOWN
29	56316553	2	MANIFOLD PVC 28 ADVENGER
30	56601049	1	HOPPER WELDT
31	56407391	2	BLADE
32	56407433	2	SHEAVE
33	56412176	1	BUSHING
34	56493357	2	INSULATOR BOOT
35	56601048	1	HOUSING WELDT
36	56601468	1	LEFT SKIRT ASSEMBLY
37	56601476	1	RIGHT SKIRT ASSEMBLY
38	56002667	2	Scr Hex Hd 5/16-18 x .75
39	56601675	1	BRACKET
40	56002701	2	Nut Hex Lock 5/16-18
41	56379139	1	TUBE PVC .750X30 E00521
42	56244969	1	Clamp hose Sae 12

Scrub system-cylindrical

BR 755, BR 855

10-01-2014

Part List ID
BR 75513

18

Pos	Part no.	Qty	Description
43	56009060	2	Washer
23A	56002119	2	Screw Soc Set
23B	56003237	1	KEY SQ 19 X .62
23C	56106070	2	Ball Bearing Z22
23D	56109527	1	SPINDLE
23E	56381765	1	BEARING PLATE
23F	56407389	1	SPACER
23G	56407442	1	SHEAVE POLY-V
23G	56407558	1	WASHER, BEARING
25A	56106070	1	Ball Bearing Z22
25B	56407558	1	WASHER, BEARING
25C	56315447	1	IDLER BEARING PLATE
25D	56407303	1	Knob
25E	56407551	1	HUB

Scrub system-cylindrical-skirt assemblies

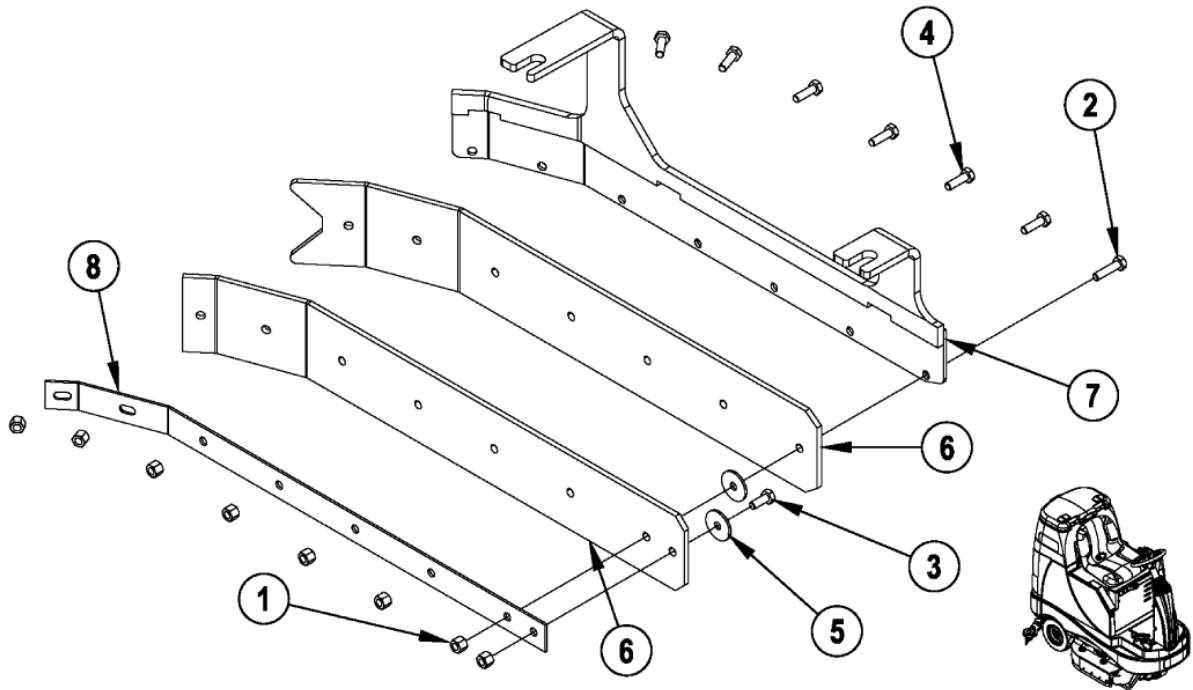
BR 755, BR 855

10-01-2014

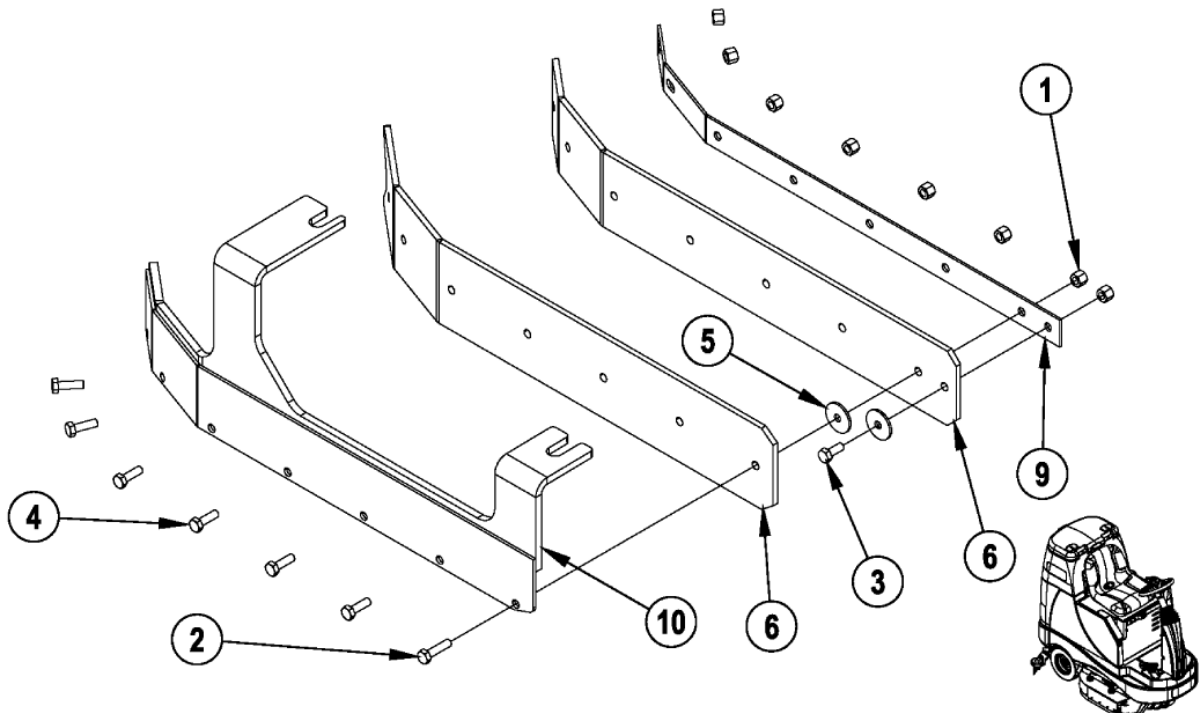
Part List ID
BR75515

19

56601468 - Left Skirt Assy



56601476 - Right Skirt Assy



Scrub system-cylindrical-skirt assemblies

BR 755, BR 855

10-01-2014

Part List ID

BR 75515

20

Pos	Part no.	Qty	Description	
0	56601468	1	LEFT SKIRT ASSEMBLY	1-8
0	56601476	1	RIGHT SKIRT ASSEMBLY	1-6, 9, 10
1	56003426	8	NUT HEX NYL LOC SS M6-1.0	
2	56003430	1	SCR HEX SS M6-1.00X25MM	
3	56003431	1	SCR HEX HD SS M6-1.0 X 16 MM 16 pieces in a pack	
4	56003454	6	SCREW	
5	56009060	2	Washer	
6	56316194	1	KIT SIDE SKIRT	NOTE 2 - OPTIONAL, NOT INCLUDED
6	56601538	1	BLADE KIT PU CYL	NOTE 2 - OPTIONAL, NOT INCLUDED
6	56601681	1	BLADE KIT CYL LINATEX	NOTE 2 - OPTIONAL, NOT INCLUDED
7	56601047	1	SKIRT BRACKET WELDT	LEFT
8	56601046	1	RETAINER-SKIRT	LEFT
9	56601045	1	RETAINER-SKIRT	RIGHT
10	56601044	1	SKIRT BRACKET WELDT	RIGHT

NOTE 1: Quantities shown for items 1-7 are for one skirt assembly. There are two skirt assemblies on the machine.

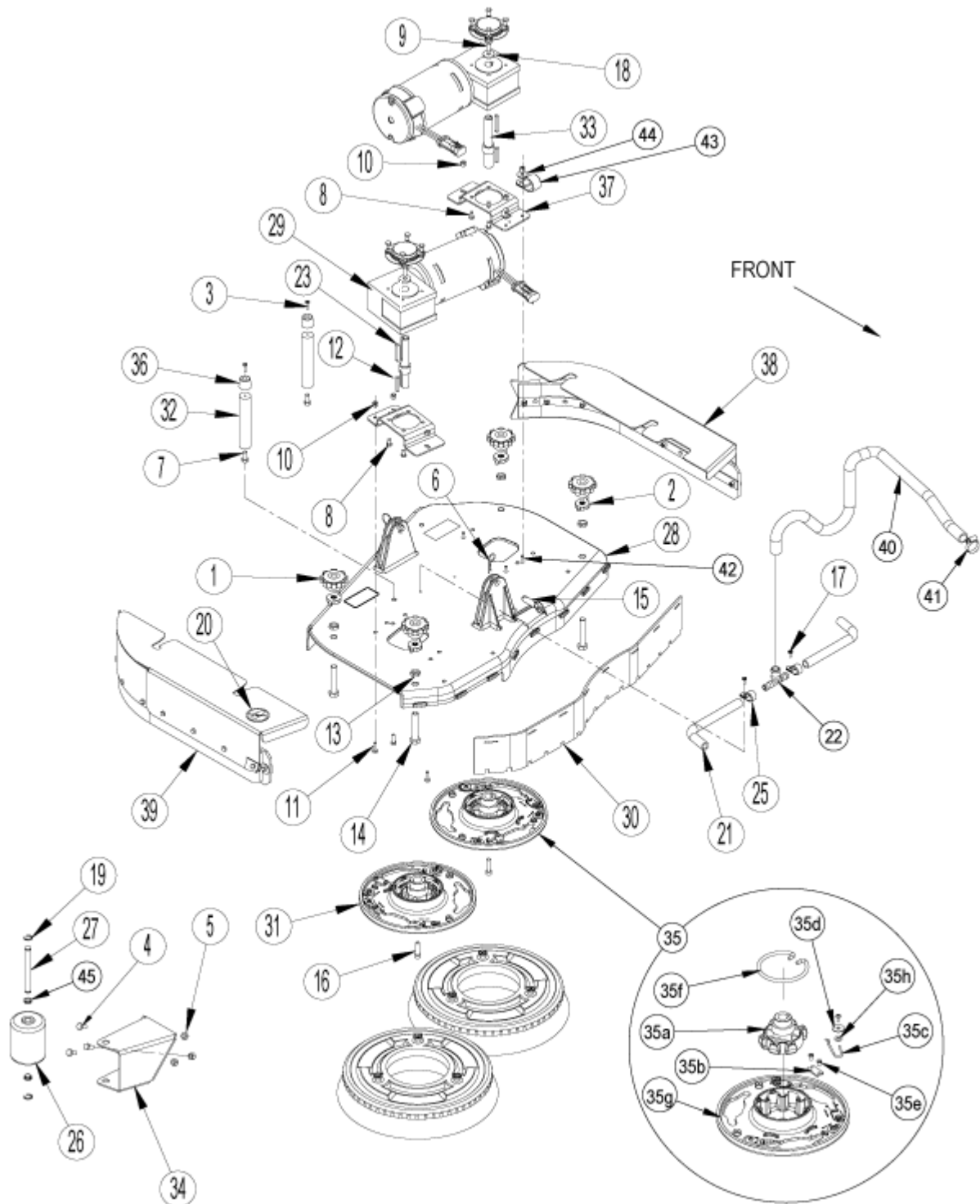
Scrub system-BR 755 disk

BR 755, BR 855

10-01-2014

Part List ID
BR75517

21



Scrub system-BR 755 disk

BR 755, BR 855

10-01-2014

Part List ID
BR75517

22

Pos	Part no.	Qty	Description	
0	56477613	1	Cable Tie E00549 Re409S	
0	56601686	2	FERRITE BEAD	NOTE 4
0	56601687	1	FERRITE BEAD	NOTE 3
1	56380149	4	KNOB M12 1.75	TSBUS2010-1060
2	56601578	4	KNOB	
3	56002192	2	SCR PAN HD PHIL 10-24 X .	
4	56002667	3	Scr Hex Hd 5/16-18 x .75	
5	56002701	3	Nut Hex Lock 5/16-18	
6	56002959	2	Pin Cot Hair SS.125x.5dia	
7	56003012	2	56003022X 3/4 SS BOLT	
8	56003211	8	RING, RET EXT SS	
9	56003335	2	SCREW HEX LOC SS 5/16-18 X .88	
10	56003426	6	NUT HEX NYL LOC SS M6-1.0	
11	56003454	5	SCREW	
12	56003526	2	KEY SQ.25X1.44	
13	56003657	4	NUT, HEX JAM M12-1.75	
14	56003658	4	SCR THD TO HD SS M12-1.75	
15	56003786	2	PIN RING .500X1.18	
16	56003798	2	SCR SOC HD 5/16-18 x 1.25	
17	56009029	2	SCR PANPHIL THD FORM 10-2	
18	56009057	2	WSHFLTHARD .344X1.000X .120	
19	56003264	2	RING RET EXT TYPE E	
20	56016163	1	DECAL NO STEP	
21	56266108	2	HOSE SPIRAL .500 9	
22	56305760	1	TEE BARB 3/4 X 1/2 X 1/2	
23	56314359	2	KEY, 6MM SQUARE	
25	56328064	2	P Clamp Ax	
26	56407006	1	Wheel, roller	
27	56601580	1	PIN	
28	56601113	1	SCRUB DECK DISC CAST 28 34	
29	56314580	1	BALL BEARING OUTPUT SIDE	FAN END - NOT SHOWN
29	56601134	2	BRUSH MOTOR AMER	M7 / M8
29	56601508	1	PLASTIC COVER	NOT SHOWN
29	56601533	1	MOTOVARIO GEARBOX	NOT SHOWN
29	56601534	2	CARBON BRUSH	NOT SHOWN
29	56601535	1	KEY	NOT SHOWN
29	56601536	1	MOTOR FAN	NOT SHOWN
29	56601537	1	BALL BEARING OUTPUT SIDE	BRUSH END - NOT SHOWN
30	56601248	1	BLADE FRONT 28	NOTE 2
30	56601521	1	BLADE FRONT 28	NOTE 2 - OPTIONAL, NOT INCLUDED
31	56601733	1	BRUSH PLATE ASSY	NOTE 1
32	56601289	2	ROD UP STOP	

NOTE 1: Item 31 (56601276) consists of the exact same components as item 35 (56601384).

NOTE 2: All disk deck blade kits include all side skirt blades.

NOTE 3: Installed on main harness.

Scrub system-BR 755 disk

BR 755, BR 855

10-01-2014

Part List ID
BR75517

23

Pos	Part no.	Qty	Description
33	56601319	2	SHAFT HUB MOUNT
34	56601032	1	ROLLER BRKT 28
35	56601384	1	BRUSH PLATE ASSEMBLY
36	56601388	2	UP STOP MOUNT
37	56601389	2	BRACKET MOTOR
38	56383468	1	SKIRT ASSY KIT-28 IN
39	56601543	1	SKIRT ASSEMBLY RIGHT
41	56244969	1	Clamp hose Sae 12
42	56003695	1	SCR,HEX THD TO HD SS M6-1.0 X30MM
43	56409463	1	Clamp 1.25 hose support
44	56003696	1	WSH FLAT SS. 33X1.00 X .060
45	56302164	2	Bearing flange
35A	56112521	1	GIMBAL COLLAR ASSEMBLY
35B	56366455	1	Plate Cv24B
35C	56109653	1	SPRING RETAINER
35D	56009002	1	Washer flat
35E	56009247	3	SCR PN PHIL PLASTITE 10
35F	56601056	1	SPRING BRUSH HOLDER
35G	56601118	1	BURSH PLATE
35H	56002053	1	#10-24 X 1/2 SCREW
35I	56002053	1	#10-24 X 1/2 SCREW

NOTE 1: Item 31 (56601276) consists of the exact same components as item 35 (56601384).

NOTE 2: All disk deck blade kits include all side skirt blades.

NOTE 3: Installed on main harness.

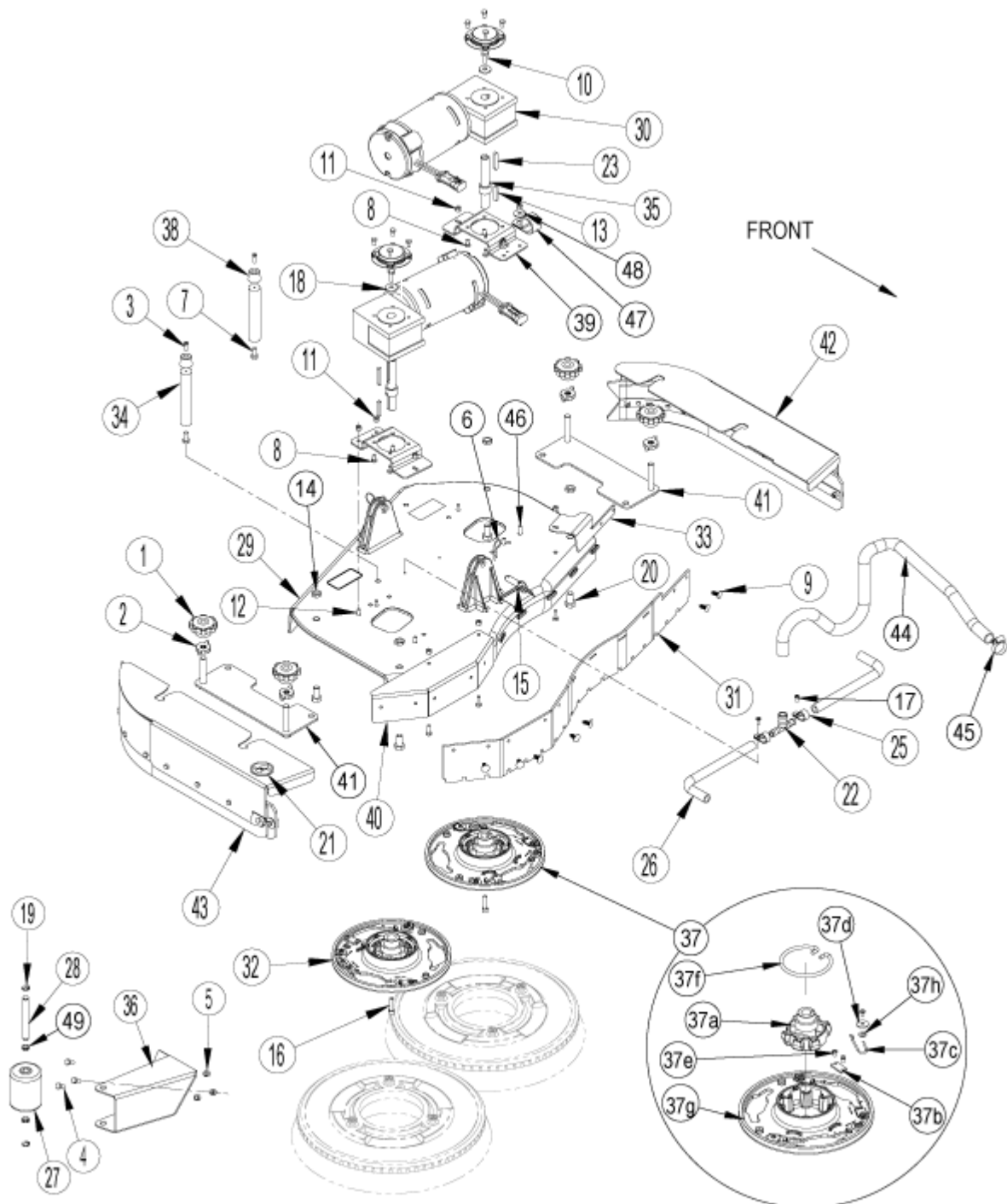
Scrub system-BR 855 disk

BR 755, BR 855

10-01-2014

Part List ID
BR75519

24



Scrub system-BR 855 disk

BR 755, BR 855

10-01-2014

Part List ID
BR75519

25

Pos	Part no.	Qty	Description	
0	56477613	1	Cable Tie E00549 Re409S	NOT SHOWN
0	56601686	2	FERRITE BEAD	NOTE 4 - NOT SHOWN
0	56601687	1	FERRITE BEAD	NOTE 3 - NOT SHOWN
1	56380149	4	KNOB M12 1.75	TSBUS2010-1060
2	56601578	4	KNOB	
3	56002192	2	SCR PAN HD PHIL 10-24 X .	
4	56002667	3	Scr Hex Hd 5/16-18 x .75	
5	56002701	3	Nut Hex Lock 5/16-18	
6	56002959	2	Pin Cot Hair SS.125x.5dia	
7	56003012	2	56003022X 3/4 SS BOLT	
8	56003211	8	RING, RET EXT SS	
9	56003263	7	RIVET, NYLON TREE PUSH-IN	
10	56003335	2	SCREW HEX LOC SS 5/16-18 X .88	
11	56003426	9	NUT HEX NYL LOC SS M6-1.0	
12	56003454	8	SCREW	
13	56003526	2	KEY SQ.25X1.44	
14	56003657	4	NUT, HEX JAM M12-1.75	
15	56003786	2	PIN RING .500X1.18	
16	56003798	2	SCR SOC HD 5/16-18 x 1.25	
17	56009029	2	SCR PANPHIL THD FORM 10-2	
18	56009057	2	WSHFLTHARD .344X1.000X .120	
19	56003264	2	RING RET EXT TYPE E	
20	56009119	4	SCR HEXTHD/HDGRM12-1.75 X 25MM	
21	56016163	1	DECAL NO STEP	
22	56305760	1	TEE BARB 3/4 X 1/2 X 1/2	
23	56314359	2	KEY, 6MM SQUARE	
25	56328064	2	P Clamp Ax	
26	56387302	2	TUBE PVC .500X11.00_E0060	
27	56407006	1	Wheel, roller	
28	56601580	1	PIN	
29	56601113	1	SCRUB DECK DISC CAST 28 34	
30	56314580	1	BALL BEARING OUTPUT SIDE	FAN END - NOT SHOWN
30	56601134	2	BRUSH MOTOR AMER	M7 / M8
30	56601508	1	PLASTIC COVER	NOT SHOWN
30	56601533	1	MOTOVARIO GEARBOX	
30	56601534	2	CARBON BRUSH	NOT SHOWN
30	56601535	1	KEY	NOT SHOWN
30	56601536	1	MOTOR FAN	NOT SHOWN
30	56601537	1	BALL BEARING OUTPUT SIDE	BRUSH END - NOT SHOWN
31	56601275	1	BLADE FRONT 34	NOTE 2
31	56601522	1	BLADE FRONT 34	NOTE 2 - OPTIONAL, NOT INCLUDED
32	56601733	1	BRUSH PLATE ASSY	NOTE 1

NOTE 1: Item 32 (56601276) consists of the exact same components as item 37 (56601384).

NOTE 2: All disk deck blade kits include all side skirt blades.

NOTE 3: Installed on main harness.

Scrub system-BR 855 disk

BR 755, BR 855

10-01-2014

Part List ID
BR 75519

26

Pos	Part no.	Qty	Description
33	56601278	1	SKIRT BRACKET FRONT 34
34	56601289	2	ROD UP STOP
35	56601319	2	SHAFT HUB MOUNT
36	56601031	1	ROLLER BRKT 34
37	56601734	1	BRUSH PLATE ASSY LT
38	56601388	2	UP STOP MOUNT
39	56601389	2	BRACKET MOTOR
40	56601452	1	BRUSH COVER
41	56601502	2	SIDE SKIRT WELDMENT
42	56601542	1	SKIRT LEFT
43	56601543	1	SKIRT ASSEMBLY RIGHT
45	56244969	1	Clamp hose Sae 12
46	56003695	1	SCR,HEX THD TOHD SS M6-1.0 X30MM
47	56409463	1	Clamp 1.25 hose support
48	56003696	1	WSH FLAT SS. 33X1.00 X .060
49	56302164	2	Bearing flange
37A	56112521	1	GIMBAL COLLAR ASSEMBLY
37B	56366455	1	Plate Cv24B
37C	56109653	1	SPRING RETAINER
37D	56009002	1	Washer flat
37E	56009247	4	SCR PN PHIL PLASTITE 10
37F	56601056	1	SPRING BRUSH HOLDER
37G	56601118	1	BURSH PLATE
37H	56002053	1	#10-24 X 1/2 SCREW
37I	56002053	1	#10-24 X 1/2 SCREW

NOTE 1: Item 32 (56601276) consists of the exact same components as item 37 (56601384).

NOTE 2: All disk deck blade kits include all side skirt blades.

NOTE 3: Installed on main harness.

Scrub system-disk-skirt assemblies

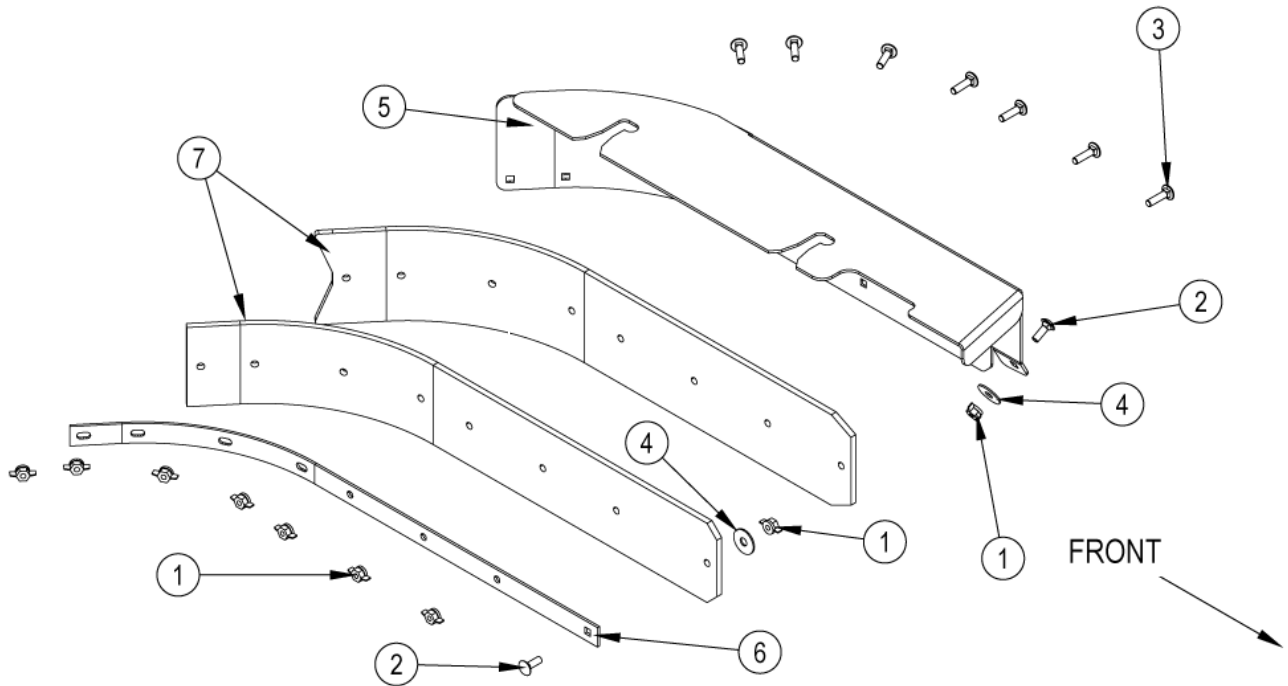
BR 755, BR 855

10-01-2014

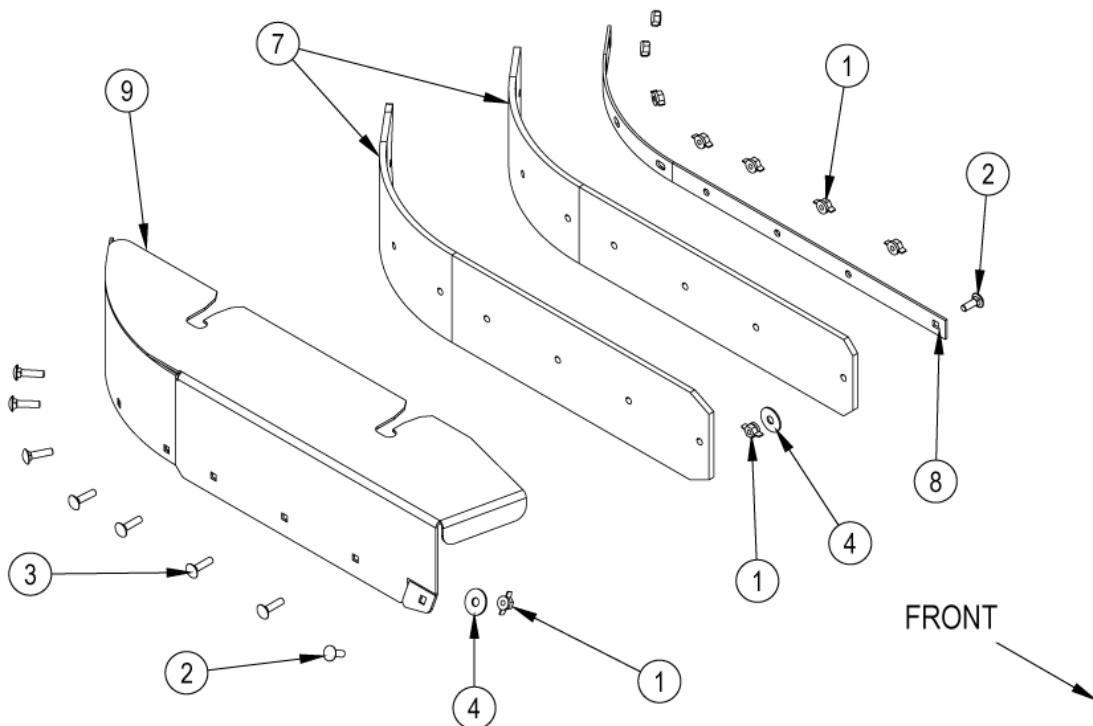
Part List ID
BR75521

27

56601541 (BR755) / 56601542 (BR855) - Left Skirt Assy



56601543 - Right Skirt Assy



Scrub system-disk-skirt assemblies

BR 755, BR 855

10-01-2014

Part List ID
BR 75521

28

Pos	Part no.	Qty	Description	
	56601541	1	SKIRT ASSEMBLY LEFT	BR 755 / 1-8
	56601542	1	SKIRT LEFT	BR 855 / 1-8
	56601543	1	SKIRT ASSEMBLY RIGHT	ALL MODELS / 1-4, 7, 8, 9, 10
1	56003824	9	NUT WING PLASTIC	
2	56003715	2	SCR CARRIAGE SS 1/4-20X.75	
3	56003828	7	SCR CARRIAGE SS 1/4 20X1.00	
4	56009060	2	Washer	
5	56601042	1	FRAME-SKIRT LH 34	BR 855 / LEFT - NOT SHOWN
5	56601043	1	FRAME-SKIRT LH 28	BR 755 / LEFT
6	56601039	1	RETAINER-SKIRT	BR 855 / LEFT - NOT SHOWN
6	56601040	1	RETAINER-SKIRT	BR 755 / LEFT
7	56382887	1	BLADE KIT 28 SKIRTS RED GUM	NOTE 2
7	56383087	1	BLADE KIT PU	NOTE 2
7	56383088	1	BLADE KIT GUM	NOTE 2
8	56601040	1	RETAINER-SKIRT	ALL MODELS / RIGHT
9	56601041	1	FRAME-SKIRT RH	ALL MODELS / RIGHT

NOTE 1: Quantities shown for items 1-4 and 7-8 are for one skirt assembly. There are two skirt assemblies on the machine.

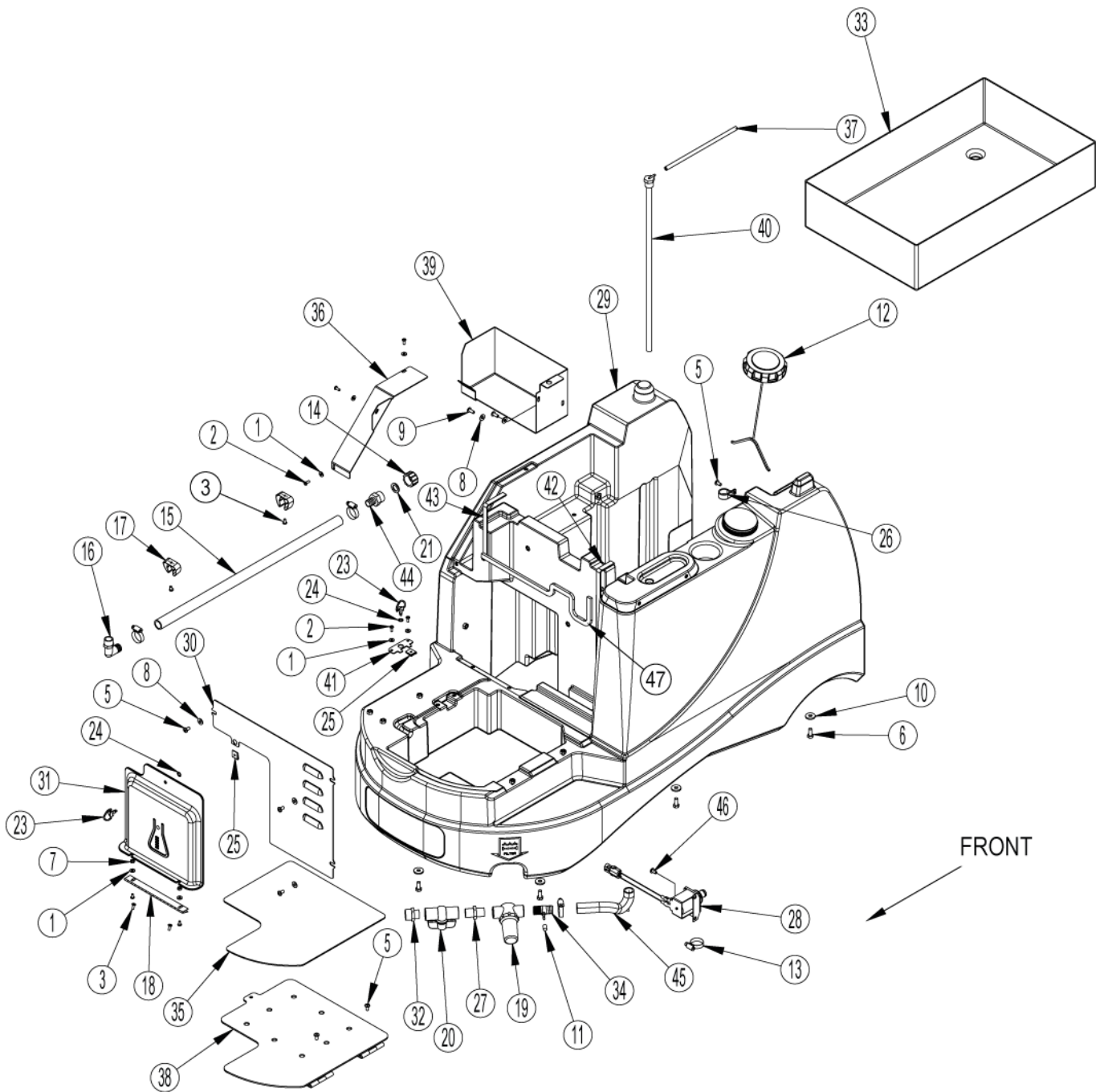
Solution system

BR 755, BR 855

10-01-2014

Part List ID
BR75523

29



Solution system

BR 755, BR 855

10-01-2014

Part List ID
BR 755Z3

30

Pos	Part no.	Qty	Description	
1	56002916	7	Washer flat replaced by 56009205	
2	56003400	5	SCR PAN PHIL SS LOC 10-24X.50	
3	56003913	6	SCR-PAN PHIL LOC SS 10-24X.38	
5	56003119	8	1/4-20 X 1/2 SS SCREW	
6	56002667	4	Scr Hex Hd 5/16-18 x .75	
7	56002849	2	Nut Hex Nyl Loc Thin SS 1	
8	56002859	2	Washer flat Sae SS 1/4	
9	56002859	2	Washer flat Sae SS 1/4	
10	56009122	4	WASHER, FLT .344X.938X.12	
11	56051209	1	VALVE SEAL	
12	56601599	1	CAP RAW WITH TETHER	
13	56244969	4	Clamp hose Sae 12	
14	56255076	1	Cap Pipe Ght Nylon Fa33K	
15	56261265	1	TUBE_E00521	
16	56314757	1	ELBOW,90BARBMALE1/2-14,.7 5HOSE	
17	56601598	1	HOSE CLIP	
18	56315285	1	HINGE	
19	56315296	1	SOLUTION FILTER	
19	56601594	1	KIT SOLUTION FILTER	OPTIONAL, NOT INCLUDED
20	56381521	1	KIT BALL VALVE BRACKET	
21	56368776	1	Washer flat rubb.625Cv80L	
23	56380132	2	FASTENER CR38A	
24	56380137	2	RETAINER CR38B	
25	56380141	2	RECEPTACLE CR38	
26	56410097	3	CLAMP, P	
27	56412182	1	NIPPLE HEX 3/4-14	
28	56601064	1	SOLENOID VALVE ASSEMBLY	
29	56601076	1	SOLUTION TANK	
30	56601106	1	PANEL	
31	56601202	1	CHEMICAL BOTTLE COVER	
32	56601212	1	NIPPLE REDUCER	NOTE 1
33	56601213	1	BATTERY BOX	
34	56601236	1	TEE SPECIAL 3/4 X 3/16 X	
35	56601246	1	MAT	
36	56601268	1	PLATE	
37	56112553	1	HOSE	
38	56601339	1	CHARGER COVER WELDMENT	
39	56601845	1	BRACKET	
40	56344172	1	TUBE PRESSURE SENSING W/ ELBOW	May 2011
41	56601843	1	PLATE	
42	56601569	1	GASKET	
43	56601570	1	GASKET	
44	56900273	1	Barb_E00072	

NOTE 1: 56601212 is only used on machines built before December 16, 2013. After that date it is replaced with 56412182.

Solution system

BR 755, BR 855

10-01-2014

Part List ID
BR 755Z3

31

Pos	Part no.	Qty	Description
45	30445A	1	HOSE SOLUTION
46	56002935	1	SCR HEX LOC SS 1/4-20 X .5
47	56601685	1	GASKET

NOTE 1: 56601212 is only used on machines built before December 16, 2013. After that date it is replaced with 56412182.

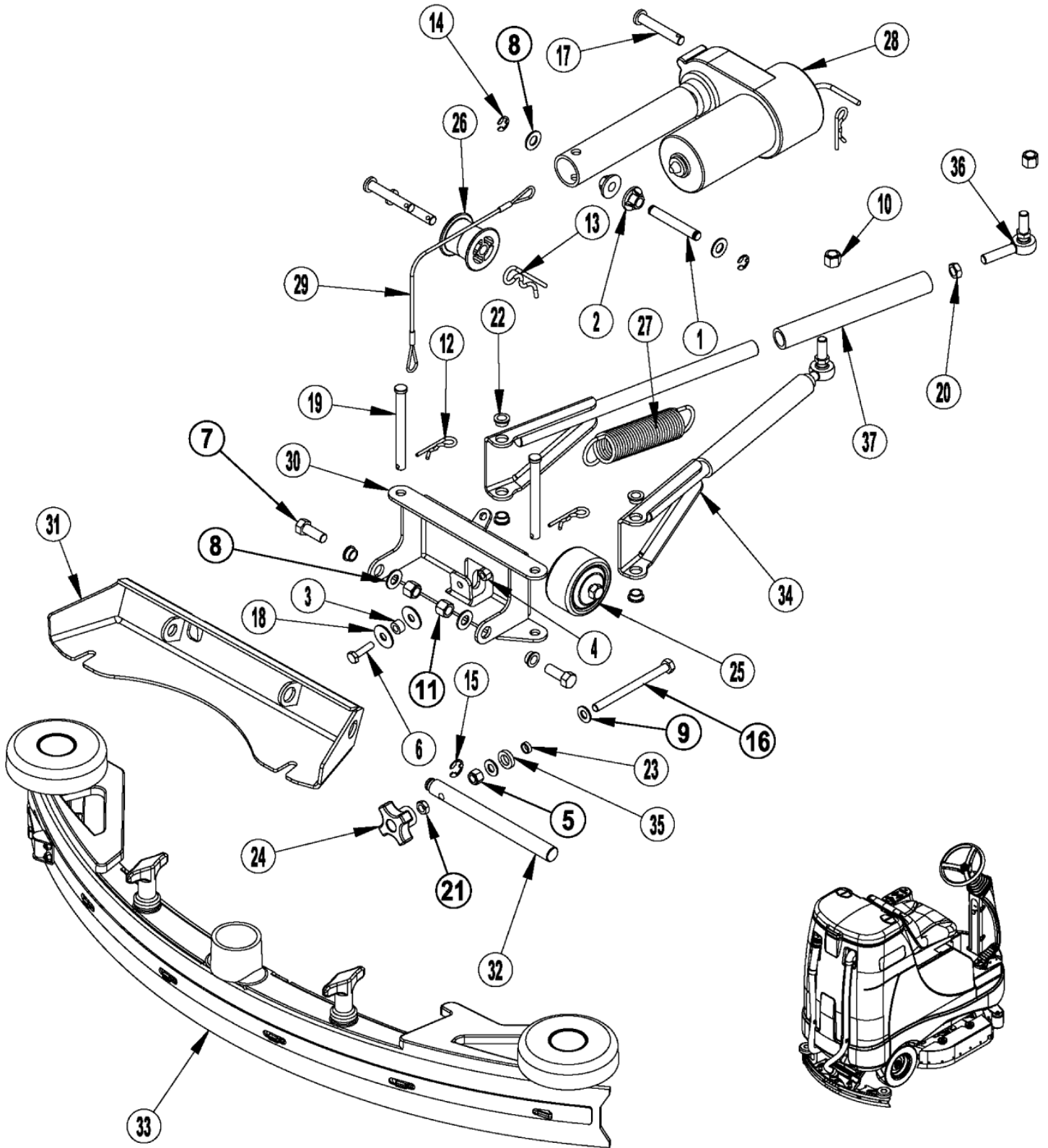
Squeegee system

BR 755, BR 855

10-01-2014

Part List ID
BR75525

32



Squeegee system

BR 755, BR 855

10-01-2014

Part List ID
BR 75525

33

Pos	Part no.	Qty	Description	
1	56412088	1	PIN	
2	56412248	2	SPACER	
3	56453691	1	SPACER	
4	56002491	2	Nut Greer 1/4-20	
5	56002856	1	Nut Hex NyI Loc SS 5/16-1	
6	56002883	1	Scr Hex Hd Ss 1/4-20 x 1.	
7	56002663	2	Bolt 3/8-16 x 1	
8	56002910	4	Washer flat	
9	56002938	2	5/16 SS FLAT WASHER	
10	56002951	2	NUT HEX NYL LOC 3/8-24 Use 56009103	
11	56003219	2	NUT HEX NYL LOC SS 3/8-16	
12	56003222	3	PIN,COT HAIR. 125 X DIA.5	
13	56003223	1	PIN,COT HAIR. 148 X DIA.62	
14	56003262	2	Ring Ret Ext. Type E-	
15	56003264	1	RING RET EXT TYPE E	
16	56003486	1	HEX THD TO HD SS5/16	
17	56003656	3	CLEVIS PIN, .375 X 2.25	
18	56003696	2	WSH FLAT SS. 33X1.00 X .060	
19	56003713	2	PIN CLEVIS .38 X 3.75	
20	56009103	2	NUT, HEX JAM 3/8-24	
21	56009141	1	NUT, HEX JAM SS 5/16-18	
22	56324505	6	Bearing Flange .376_E0020	
23	56381818	1	BUSHING	
24	56407303	1	Knob	
25	56412124	1	WHEEL	
26	56412208	1	ROLLER	
27	56412216	2	SPRING	
28	56601147	1	ACTUATOR MOTOR 24V	M3
29	56601257	1	CABLE ASSEMBLY	
30	56601038	1	WELDT-SQUEEGEE PIVOT	
31	56601037	1	WELDT-SQUEEGEE MOUNT	
32	56601442	1	SHAFT	
33	56601449	1	SQUEEGEE ASSEMBLY	BR 755 - Includes Gum Rubber Blades
33	56601454	1	SGUEEGEE ASSEMBLY	BR 855 - Includes Gum Rubber Blades
34	56601460	2	BAR WELDMENT	
35	56601463	1	WASHER POLYURETHANE	
36	56601469	2	ROD END	
37	56601512	2	HOSE	
38	56382623	1	BRACKET-SPRING ADVENGER	NOTE 1
39	56382637	1	ROD-THREADED .25 X 1.25	NOTE 1
40	56382624	1	NUT-SPRING	NOTE 1
41	56002957	1	1/4-20 C 3/4 SS SCREW	NOTE 1

NOTE 1: These parts were implemented in production as of November 2011 to increase squeegee down pressure.
Order Squeegee Spring Kit 56382635 to

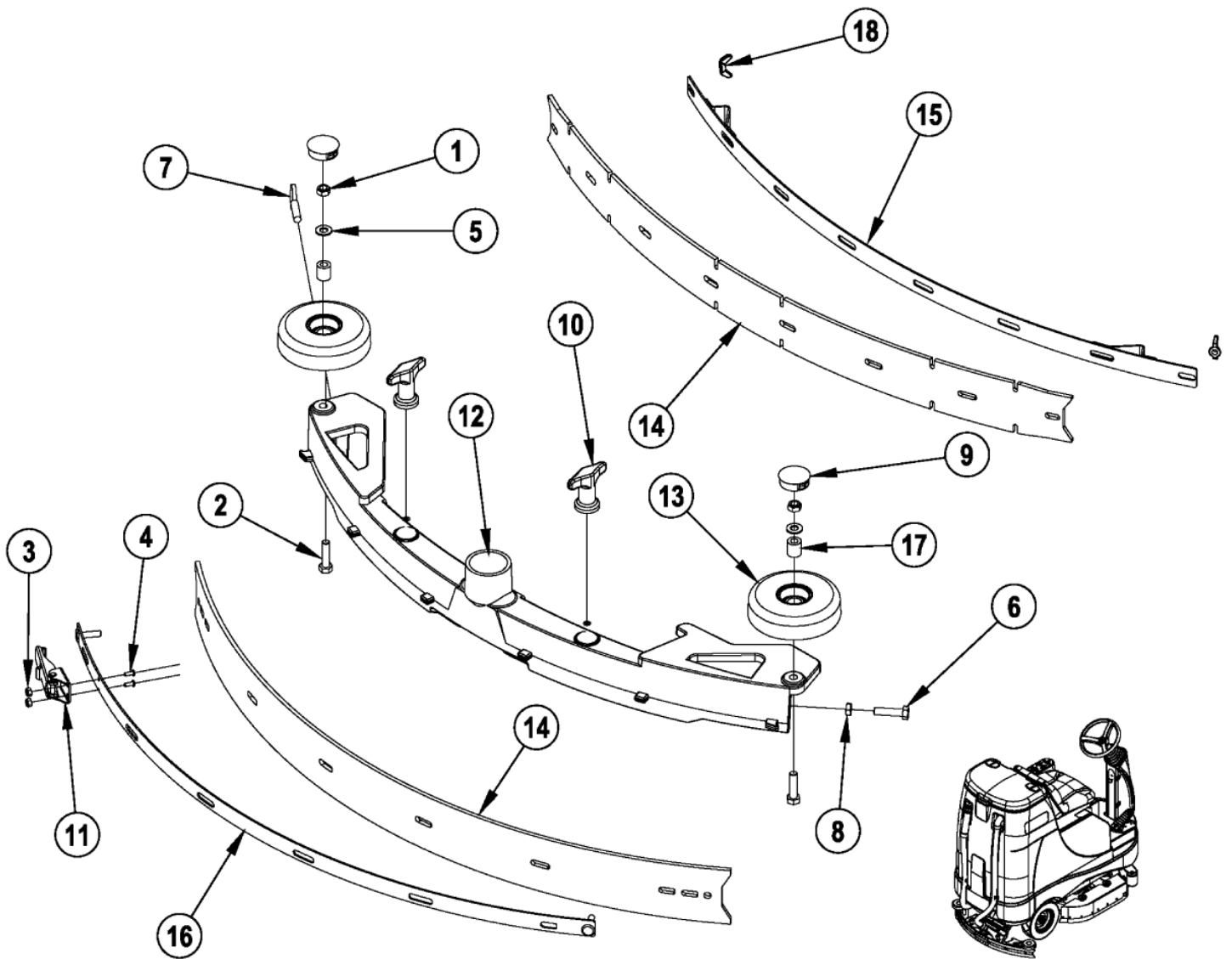
Squeegee assembly - BR 755

BR 755, BR 855

10-01-2014

Part List ID
BR75526

34



Squeegee assembly - BR 755

BR 755, BR 855

10-01-2014

Part List ID
BR 75526

35

Pos	Part no.	Qty	Description	
0	56601449	1	SQUEEGEE ASSEMBLY	BR 755 - Includes Gum Rubber Blades
1	56002851	2	Nut Hex NyI Loc Thin SS5/ use 56002856	
2	56003302	2	Bolt BR1000 Squeegee	
3	56002907	2	Nut Hex NyI Loc SS 6-32	
4	56002909	2	Scr Pan Phil SS 6-32 x 0.	
5	56002938	2	5/16 SS FLAT WASHER	
6	56003302	1	Bolt BR1000 Squeegee	
7	56003792	1	SCR THUMB SS 5/1	
8	56009141	1	NUT, HEX JAM SS 5/16-18	
9	56111444	2	BUTTON PLUG 1.25	
10	56370711	2	Nut Thumb 5/16-18 Cv211F	
11	56471194	1	Latch Assy Re32	
12		1	NOTE COMMENT	SQUEEGEE CASTING - BR 755, NOTE 2
13	56601450	2	WHEEL 4.00 OD	
14	56382735	1	BLADE KIT SQUEEGEE RED GUM 28	After October 2011 NOTE 1 / NOTE 5
14	56382737	1	BLADE KIT SQUEEGEE PU 28	After October 2011 NOTE 1 / NOTE 5
15	56601489	1	FRONT STRAP WELD	
16	56382676	1	WELDMENT REAR STRAP 28 IN	BR 755 - NOTE 4
16	56601591	1	WELDMENT REAR STRAP	BR 755 - NOTE 3
17	56601499	2	BUSHING NYLON	
18	56009111	2	1/4-20 SS WING NUT	NOTE 3

NOTE 1: All squeegee blade kits include both front and rear squeegee blades.

NOTE 2: The squeegee casting is not available for sale separately. If you need to replace your squeegee casting please order a new Squeegee Assembly part number 56601449.

NOTE 3: TSBUS2009-1041 - Only used before SN 3000023100.

NOTE 4: TSBUS2009-1041 - Only used after SN 3000023099.

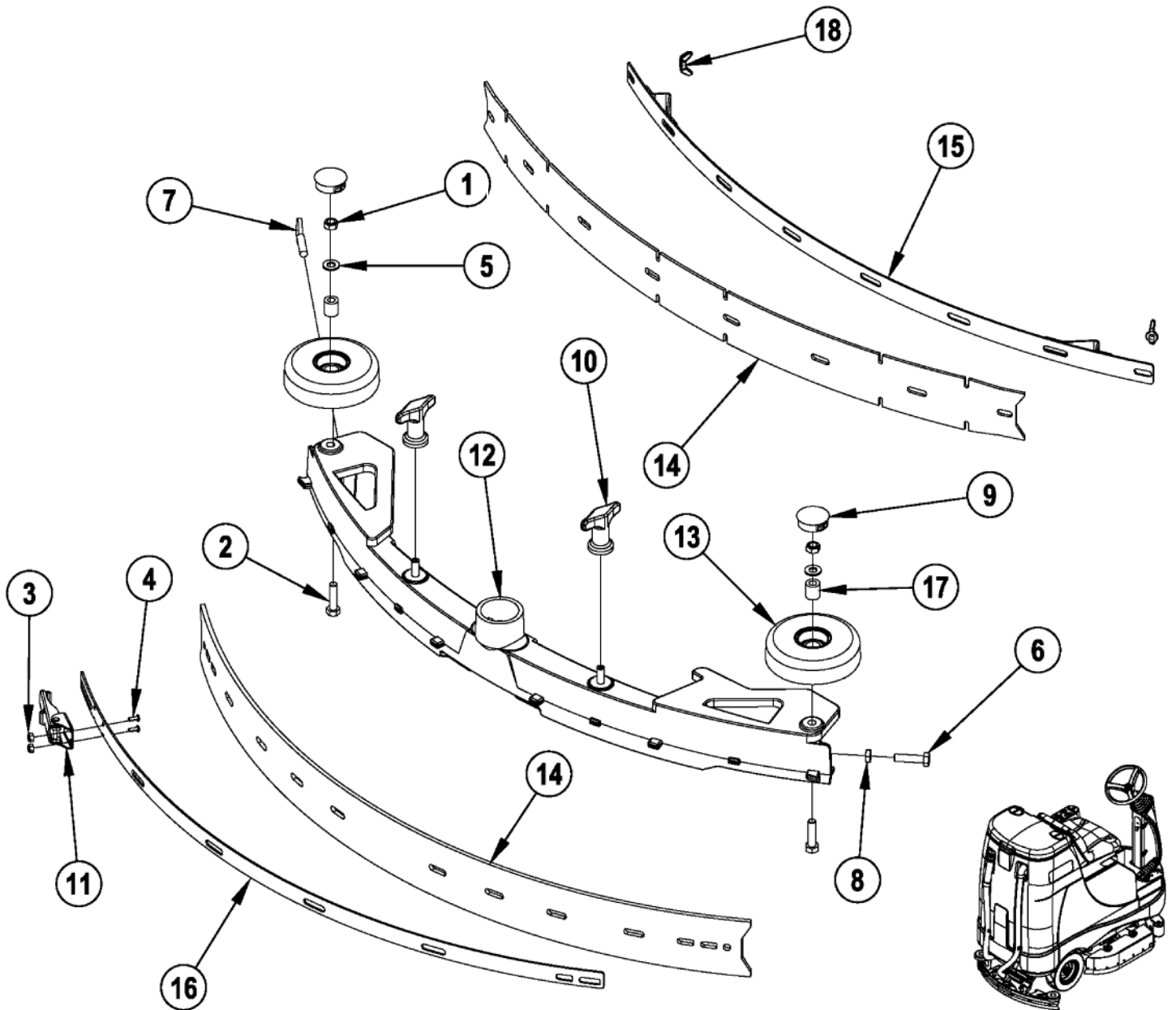
Squeegee assembly - BR 855

BR 755, BR 855

10-01-2014

Part List ID
BR75527

36



Squeegee assembly - BR 855

BR 755, BR 855

10-01-2014

Part List ID
BR 755Z7

37

Pos	Part no.	Qty	Description	
0	56601454	1	SGUEEGEE ASSEMBLY	BR 855 - Includes Gum Rubber Blades
1	56002851	2	Nut Hex Nyl Loc Thin SS5/ use 56002856	
2	56003302	2	Bolt BR1000 Squeegee	
3	56002907	2	Nut Hex Nyl Loc SS 6-32	
4	56002909	2	Scr Pan Phil SS 6-32 x 0.	
5	56002938	2	5/16 SS FLAT WASHER	
6	56003302	1	Bolt BR1000 Squeegee	
7	56003792	1	SCR THUMB SS 5/1	
8	56009141	1	NUT, HEX JAM SS 5/16-18	
9	56111444	2	BUTTON PLUG 1.25	
10	56370711	2	Nut Thumb 5/16-18 Cv211F	
11	56471194	1	Latch Assy Re32	
12		1	NOTE COMMENT	SQUEEGEE CASTING - BR 855, NOTE2
13	56601450	2	WHEEL 4.00 OD	
14	56382738	1	BLADE KIT SQUEEGEE GUM 34	NOTE 1
14	56382739	1	BLADE KIT SQUEEGEE RED GUM 34	NOTE 1
14	56382740	1	BLADE KIT SQUEEGEE	NOTE 1
15	56601495	1	FRONT STRAP WELD	BR 855
16	56601496	1	STRAP REAR	BR 855 - NOTE 4
16	56601593	1	WELDMENT REAR STRAP	BR 855 - NOTE 3
17	56601499	2	BUSHING NYLON	
18	56009111	2	1/4-20 SS WING NUT	NOTE 3

NOTE 1: All squeegee blade kits include both front and rear squeegee blades.

NOTE 2: The squeegee casting is not available for sale separately. If you need to replace your squeegee casting please order a new Squeegee Assembly part number 56601454.

NOTE 3: TSBUS2009-1041 - Only used before SN 300006847.

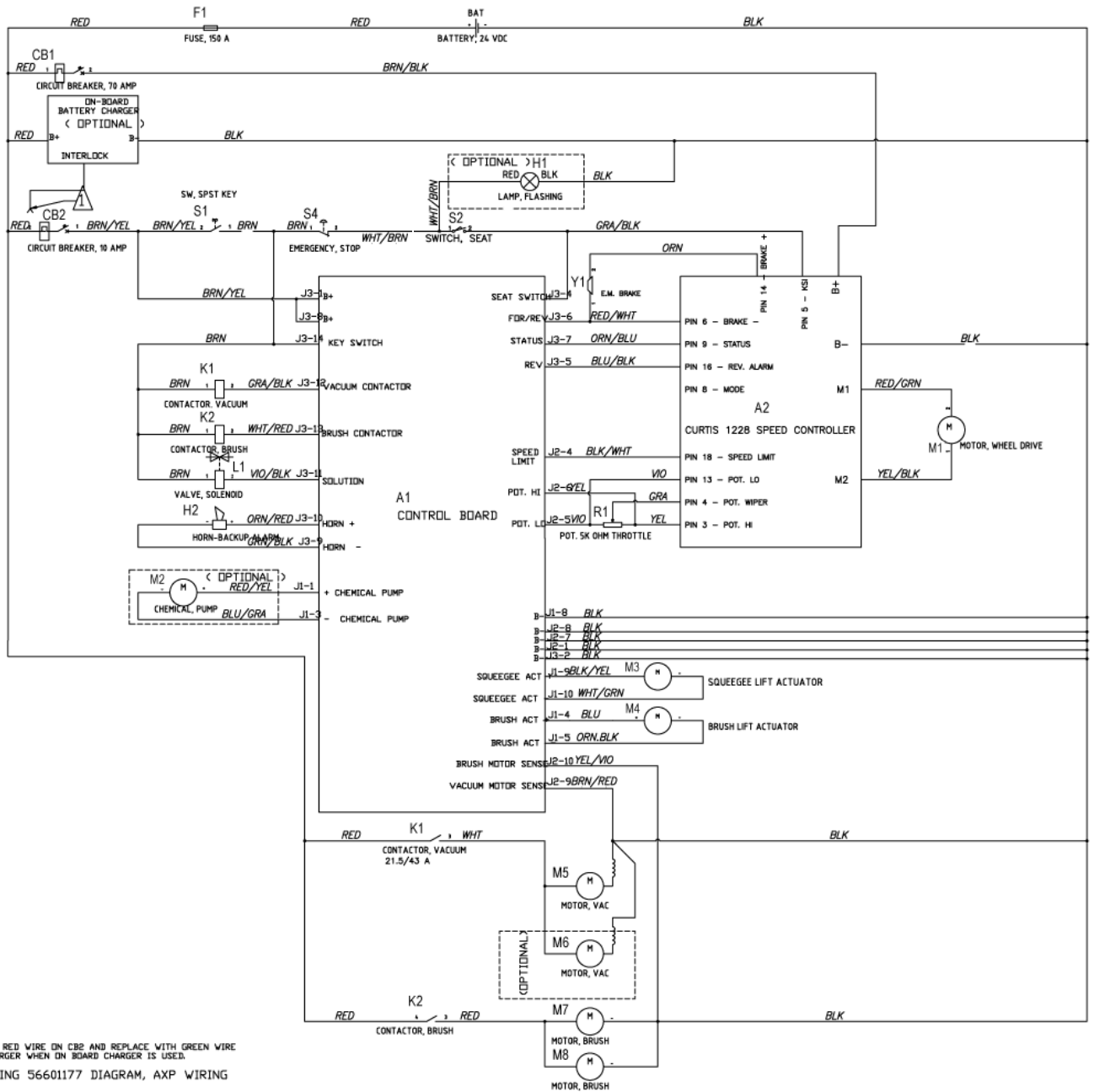
Wiring diagram

BR 755, BR 855

10-01-2014

Part List ID
BR75529

38



NOTES:
 ⚠ DISCONNECT RED WIRE ON CB2 AND REPLACE WITH GREEN WIRE FROM CHARGER WHEN ON BOARD CHARGER IS USED.
 REF DRAWING 56601177 DIAGRAM, AXP WIRING

Wiring diagram

BR 755, BR 855

10-01-2014

Part List ID
BR 75529

39

Pos	Part no.	Qty	Description	
A1	56601565	1	INTERFACE PANEL	
A2	56601061	1	SPEED CONTROL	
F1	56412089	1	FUSE 150 AMP	
H1	56307166	1	BEACON ASSY	OPTIONAL
H2	56412177	1	HORN / BACKUP ALARM	
K1	56601183	1	CONTACTOR	
K2	56412179	1	Contactora	
L1	56601064	1	SOLENOID VALVE ASSEMBLY	
M1	56601050	1	MOTOR DRIVE WHEEL	
M2	56315241	1	PUMP CHEMICAL	
M3	56601147	1	ACTUATOR MOTOR 24V	
M4	56601432	1	LIFT ACTUATOR ASSEMBLY	
M5	56601488	1	VAC MOTOR W/SUPPRESSION	
M6	56601488	1	VAC MOTOR W/SUPPRESSION	OPTIONAL
M7	56315061	1	MOTOR 24VDC .5HP 1800RPM	CYLINDRICAL, TSBUS2010-1058
M7	56601134	2	BRUSH MOTOR AMER	DISK
M8	56315061	1	MOTOR 24VDC .5HP 1800RPM	CYLINDRICAL, TSBUS2010-1058
M8	56601134	2	BRUSH MOTOR AMER	DISK
R1		1	NOTE COMMENT	PART OF 56601052, NOT AVAILABLE
S1	56303526	1	KEY , REPLACEMENT SET OF 2	OPTIONAL, NOT INCLUDED
S1	56303553	1	KEY SWITCH ASSEMBLY	
S2	7-82-00050	1	SWITCH SEAT	
S4	56407130	1	Switch (emergency)	
Y1	56315124	1	CHARGER ONBOARD 24V	TSBUS2008-984
Y1	56601507	1	PARKING BRAKE	
BAT		1	NOTE COMMENT	BATTERY, NOT AVAILABLE
CB1	56454429	1	Circuit Breaker 70A	
CB2	56507644	1	CIRCUIT BREAKER	

Optional kits and accessories

BR 755, BR 855

10-01-2014

Part List ID
BR75530

40

No Drawing For Part List

Optional kits and accessories

BR 755, BR 855

10-01-2014

Part List ID
BR 75530

41

Pos	Part no.	Qty	Description	
2	56383188	1	ARM REST KIT R/H + L/H	Kits (For 56383187 only) Note 6
2	7-03-04249	1	ARM REST LH & RH	KITS (For 8-69-00022) Note 5
3	56601085	1	BEACON KIT	KITS
4	56601087	1	VACUUM WAND WITH CADDY KIT	KITS
5	56422162	1	KIT,SEAT BELT	KITS
6	56601090	1	DUAL VAC EU KIT	KITS
7	56601080	1	ON BOARD CHARGER KIT EU	KITS - TSBUS2008-984
9	56315732	1	QUIK PROGRAMMER KIT	KITS
10	56601082	1	ECOFLEX CHEMICAL KIT EU	KITS
11	56601735	1	DEBRIS TRAY	KITS
12	56601546	1	KIT 28 DISK DECK ASSY	KITS
13	56601547	1	KIT 34 DISK DECK ASSY	KITS
14	56601756	1	KIT-28 CYL DECK ASSY-EU	KITS
15	56505780	2	BRUSH PADHOLDER 43CM	BA 855 DISK SCRUB BRUSHES (SEE BRUSH SELECTOR GUID
16	56505195	2	PAD RETAINER DEVICE SNAP LOCK	BA 855 DISK SCRUB BRUSHES (SEE BRUSH SELECTOR GUID
17	56505785	2	BRUSH PROLITE 43CM LIGHT DUTY	BA 855 DISK SCRUB BRUSHES (SEE BRUSH SELECTOR GUID
18	56505784	2	BRUSH PROLENE 43CM MEDIUM HEAVY DUTY	BA 855 DISK SCRUB BRUSHES (SEE BRUSH SELECTOR GUID
19	56505786	2	BRUSH UNION MIX 43CM	BA 855 DISK SCRUB BRUSHES (SEE BRUSH SELECTOR GUID
20	56505783	2	BRUSH AGLITE GRIT 500 SOFT 43CM	BA 855 DISK SCRUB BRUSHES (SEE BRUSH SELECTOR GUID
21	56505787	2	BRUSH MIDGRIT 240 43CM MEDIUM DUTY	BA 855 DISK SCRUB BRUSHES (SEE BRUSH SELECTOR GUID
22	56505788	2	BRUSH MIDLITE GRIT 180 43CM MEDIUM DUTY	BA 855 DISK SCRUB BRUSHES (SEE BRUSH SELECTOR GUID
23	56505782	2	BRUSH DYNA GRIT 80 43CM HEAVY DUTY	BA 855 DISK SCRUB BRUSHES (SEE BRUSH SELECTOR GUID
24	56505781	2	BRUSH MAGNA GRIT 46 43CM EXTREME HEAVY DUTY	BA 855 DISK SCRUB BRUSHES (SEE BRUSH SELECTOR GUID
25	56412191	2	CYLINDRICAL BRUSH 680MM 28in SOFT NYLON	BA 755 CYLINDRICAL SCRUB BRUSHES (SEE BRUSH SELECT
26	56412192	2	CYLINDRICAL BRUSH 680MM 28in HARD NYLON	BA 755 CYLINDRICAL SCRUB BRUSHES (SEE BRUSH SELECT
27	56412046	2	CYLINDRICAL BRUSH 680MM 28in POLYPROPYLENE	BA 755 CYLINDRICAL SCRUB BRUSHES (SEE BRUSH SELECT
28	56412193	2	CYLINDRICAL BRUSH 680MM 28in 180 GRIT	BA 755 CYLINDRICAL SCRUB BRUSHES (SEE BRUSH SELECT
29	56412194	2	CYLINDRICAL BRUSH 680MM 28in 80 GRIT	BA 755 CYLINDRICAL SCRUB BRUSHES (SEE BRUSH SELECT
30	56412195	2	CYLINCRICAL BRUSH 680MM 28in 46 GRIT	BA 755 CYLINDRICAL SCRUB BRUSHES (SEE BRUSH SELECT
31	56382734	1	BLADE KIT SQUEEGEE GUM 28	BR 755 SQUEEGEE BLADE KITS - After October 2011 NO
33	56382737	1	BLADE KIT SQUEEGEE PU 28	BR 755 SQUEEGEE BLADE KITS - After October 2011 NO
35	56382735	1	BLADE KIT SQUEEGEE RED GUM 28	BR 755 SQUEEGEE BLADE KITS - After October 2011 NO
36	56382735	1	BLADE KIT SQUEEGEE RED GUM 28	BR 755 SQUEEGEE BLADE KITS - Before November 2011
37	56382738	1	BLADE KIT SQUEEGEE GUM 34	BR 855 SQUEEGEE BLADE KITS - NOTE 1
38	56382740	1	BLADE KIT SQUEEGEE	BR 855 SQUEEGEE BLADE KITS - NOTE 1
39	56382739	1	BLADE KIT SQUEEGEE RED GUM 34	BR 855 SQUEEGEE BLADE KITS - NOTE 1
40	56383088	1	BLADE KIT GUM	DISK DECK BLADE KITS - NOTE 2
41	56383087	1	BLADE KIT PU	DISK DECK BLADE KITS - NOTE 2
42	56382887	1	BLADE KIT 28 SKIRTS RED GUM	DISK DECK BLADE KITS - NOTE 2
43	56316194	1	KIT SIDE SKIRT	CYLINDRICAL DECK BLADE KITS - NOTE 3

NOTE 1: All squeegee blade kits include both front and rear squeegee blades.

NOTE 2: All disk deck blade kits include all side skirt blades.

NOTE 3: All cylindrical deck blade kits include all blades necessary.

NOTE 4: These squeegee blades are designed to provide increased performance and reduced streaking. When installing these blades on a machine built before November 2011

Optional kits and accessories

BR 755, BR 855

10-01-2014

Part List ID
BR 75530

42

Pos	Part no.	Qty	Description	
44	56601538	1	BLADE KIT PU CYL	CYLINDRICAL DECK BLADE KITS - NOTE 3
45	56601681	1	BLADE KIT CYL LINATEX	CYLINDRICAL DECK BLADE KITS - NOTE 3
46	56383571	1	PROGRAMMER-USER	ACCESSORIES
47	56383572	1	PROGRAMMER CABLE-MOLEX	ACCESSORIES
48	56044419	1	LITERATURE PACK	ACCESSORIES
49	56505800	2	BRUSH PADHOLDER 14in	BA 755 DISK SCRUB BRUSHES (SEE BRUSH SELECTOR GUID
50	56505195	2	PAD RETAINER DEVICE SNAP LOCK	BA 755 DISK SCRUB BRUSHES (SEE BRUSH SELECTOR GUID
51	56505805	2	BRUSH PROLITE 14in	BA 755 DISK SCRUB BRUSHES (SEE BRUSH SELECTOR GUID
52	56505804	2	BRUSH PROLENE 14in	BA 755 DISK SCRUB BRUSHES (SEE BRUSH SELECTOR GUID
53	56505806	2	BRUSH UNION MIX 14in	BA 755 DISK SCRUB BRUSHES (SEE BRUSH SELECTOR GUID
54	56505803	2	BRUSH AGLITE 14in	BA 755 DISK SCRUB BRUSHES (SEE BRUSH SELECTOR GUID
55	56505807	2	BRUSH MIDGRIT 240 14in	BA 755 DISK SCRUB BRUSHES (SEE BRUSH SELECTOR GUID
56	56505808	2	BRUSH MIDLITE 180 14in	BA 755 DISK SCRUB BRUSHES (SEE BRUSH SELECTOR GUID
57	56505802	2	BRUSH DYNA GRIT 14in	BA 755 DISK SCRUB BRUSHES (SEE BRUSH SELECTOR GUID
58	56505801	2	BRUSH MAGNAGRIT 14in	BA 755 DISK SCRUB BRUSHES (SEE BRUSH SELECTOR GUID

NOTE 1: All squeegee blade kits include both front and rear squeegee blades.

NOTE 2: All disk deck blade kits include all side skirt blades.

NOTE 3: All cylindrical deck blade kits include all blades necessary.

NOTE 4: These squeegee blades are designed to provide increased performance and reduced streaking. When installing these blades on a machine built before November 2011

Brush selector guide-disk

BR 755, BR 855

10-01-2014

Part List ID
BR 75531

44

Pos	Part no.	Qty	Description
1	56505800	1	BRUSH PADHOLDER 14in
2	56505195	1	PAD RETAINER DEVICE SNAP LOCK PAD RETAINER FOR 56505800
3	56505801	1	BRUSH MAGNAGRIT 14in
4	56505802	1	BRUSH DYNA GRIT 14in
5	56505803	1	BRUSH AGLITE 14in
6	56505804	1	BRUSH PROLENE 14in
7	56505805	1	BRUSH PROLITE 14in
8	56505806	1	BRUSH UNION MIX 14in
9	56505807	1	BRUSH MIDGRIT 240 14in
10	56505808	1	BRUSH MIDLITE 180 14in
11	56505780	1	BRUSH PADHOLDER 43CM
12	56505195	1	PAD RETAINER DEVICE SNAP LOCK PAD RETAINER FOR 56505830
13	56505781	1	BRUSH MAGNA GRIT 46 43CM EXTREME HEAVY DUTY
14	56505782	1	BRUSH DYNA GRIT 80 43CM HEAVY DUTY
15	56505783	1	BRUSH AGLITE GRIT 500 SOFT 43CM
16	56505784	1	BRUSH PROLENE 43CM MEDIUM HEAVY DUTY
17	56505785	1	BRUSH PROLITE 43CM LIGHT DUTY
18	56505786	1	BRUSH UNION MIX 43CM
19	56505787	1	BRUSH MIDGRIT 240 43CM MEDIUM DUTY
20	56505788	1	BRUSH MIDLITE GRIT 180 43CM MEDIUM DUTY

Pos. 1-10: BR 755 Brushes

Pos. 11-20: BR 855 Brushes

Brush selector guide-cylindrical

BR 755, BR 855

10-01-2014

Part List ID

BR75532

45

We provide brushes and pad holders that will give you the best possible performance between machine and floor. Following are descriptions of the materials and their applications.

- 46 Grit Brush: Most aggressive grit brush. Used primarily to clean heavy buildup on concrete floors in factories, or for heavy stripping of finish.
- 80 Grit Brush: Medium aggressive grit brush. Good all-around brush for medium to heavy buildup removal. Can also be used for general stripping operations.
- 180 Grit Brush: Least aggressive grit brush. Used for daily cleaning of hard-finished floors.
- Polypropylene Brush: Standard equipment brush. Low cost, yet effective in cleaning many common floor surfaces.
- Stiff Nylon Brush: Cleaning action similar to polypropylene. More durable and wear-resistant than polypropylene.
- Soft Nylon Brush: Least aggressive brush available. Used on soft-finish floors where a more aggressive brush would leave scratch marks, or in applications requiring very light cleaning.

BR 755 BRUSHES

- 56412191 - Soft Nylon
- 56412192 - Hard Nylon
- 56412046 - Prolene
- 56412193 - 180 Grit
- 56412194 - 80 Grit
- 56412195 - 46 Grit

CYLINDRICAL BRUSH APPLICATION GUIDE (SUGGESTION ONLY)

Application	46 Grit	80 Grit	180 Grit	Polypro- pylene	Stiff Nylon	Soft Nylon
Stripping:						
Concrete	X	X				
Terrazzo	X	X				
Ceramic/Quarry tile		X				
Vinyl tile		X				
General Scrubbing:						
Concrete	X	X	X	X	X	
Terrazzo			X	X	X	X
Ceramic/Quarry tile			X	X	X	X
Marble			X		X	X
Vinyl tile			X	X	X	X
Raised-rubber tile			X			X

Brush selector guide-cylindrical

BR 755, BR 855

10-01-2014

Part List ID
BR 75532

46

Pos	Part no.	Qty	Description
1	56412191	1	CYLINDRICAL BRUSH 680MM 28in SOFT NYLON
2	56412192	1	CYLINDRICAL BRUSH 680MM 28in HARD NYLON
3	56412046	1	CYLINDRICAL BRUSH 680MM 28in POLYPROPYLENE
4	56412193	1	CYLINDRICAL BRUSH 680MM 28in 180 GRIT
5	56412194	1	CYLINDRICAL BRUSH 680MM 28in 80 GRIT
6	56412195	1	CYLINCRICAL BRUSH 680MM 28in 46 GRIT

Recommended spare parts

BR 755, BR 855

10-01-2014

Part List ID

BR75533

47

No Drawing For Part List

Recommended spare parts

BR 755, BR 855

10-01-2014

Part List ID
BR 75533

48

Pos	Part no.	Qty	Description
	56009062	1	SCR PHIL THD1/4-20X-20X.5
0	56112553	1	HOSE
	56114185	1	GASKET RECOVERY TANK
	56261265	1	TUBE_E00521
0	56314445	1	IDLER END ASSEMBLY
	56314580	1	BALL BEARING OUTPUT SIDE
	56315061	1	MOTOR 24VDC .5HP 1800RPM
	56316089	1	WHEEL
0	56344172	1	TUBE PRESSURE SENSING W/ ELBOW
	56379139	1	TUBE PVC .750X30 E00521
	56382693	1	WHEEL
0	56382739	1	BLADE KIT SQUEEGEE RED GUM 34
0	56382740	1	BLADE KIT SQUEEGEE
	56396268	1	SPRING HOUSING GUIDE
	56409485	1	Cable battery
0	56412179	1	Contacto
	56507644	1	CIRCUIT BREAKER
	56601050	1	MOTOR DRIVE WHEEL
	56601052	1	FOOT PEDAL ASSY
	56601060	1	STEERING WHEEL
	56601061	1	SPEED CONTROL
	56601076	1	SOLUTION TANK
	56601077	1	SPINDLE WELDT
	56601096	1	KIT INTERFACE PA
	56601125	1	FILTER
	56601134	1	BRUSH MOTOR AMER
	56601136	1	RECOVERY HOSE
	56601171	1	CONECTOR
	56601172	1	CONNECTOR ASM
	56601183	1	CONTACTOR
0		1	CONTACTOR 24V 200 AMP
	56601271	1	KNOB 5/16 STUD
	56601438	1	SQUEEGEE MOUNT BRACKET WELDMENT
0	56601449	1	SQUEEGEE ASSEMBLY
	56601488	1	VAC MOTOR W/SUPPRESSION
	56601489	1	FRONT STRAP WELD
	56601495	1	FRONT STRAP WELD
	56601508	1	PLASTIC COVER
	56601533	1	MOTOVARIO GEARBOX
	56601534	1	CARBON BRUSH
	56601535	1	KEY
	56601536	1	MOTOR FAN
	56601537	1	BALL BEARING OUTPUT SIDE

Recommended spare parts

BR 755, BR 855

10-01-2014

Part List ID
BR 75533

49

Pos	Part no.	Qty	Description
	56601565	1	INTERFACE PANEL
	56601591	1	WELDMENT REAR STRAP
	56601593	1	WELDMENT REAR STRAP
	56601594	1	KIT SOLUTION FILTER
	56601599	1	CAP RAW WITH TETHER
	7-82-00050	1	SWITCH SEAT

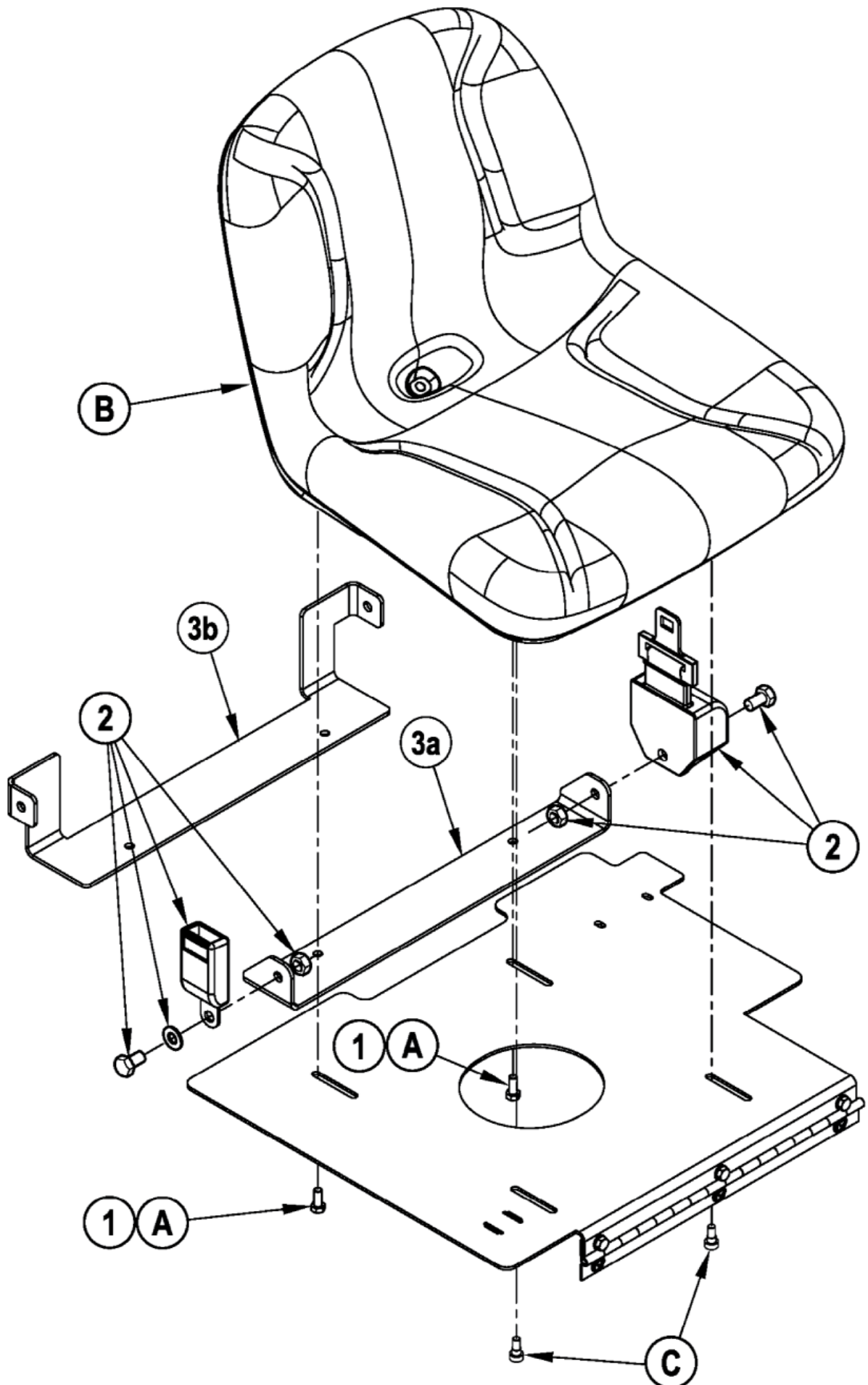
56314312/56422162 - Seat Belt Kit

BR 755, BR 855

10-01-2014

Part List ID
IS56040846

50



56314312/56422162 - Seat Belt Kit

BR 755, BR 855

10-01-2014

Part List ID
IS56040846

51

Pos	Part no.	Qty	Description	
0	56314312	1	SEAT BELT KIT	
0	56422162	1	KIT,SEAT BELT	
1	56003179	2	Screw	
2	56314962	1	SEAT BELT KIT	INCLUDES HARDWARE
3A	56314961	1	SEAT BELT BRACKET	FOR 56314312
3B	56422160	1	BRACKET SEAT BELT	FOR 56422162

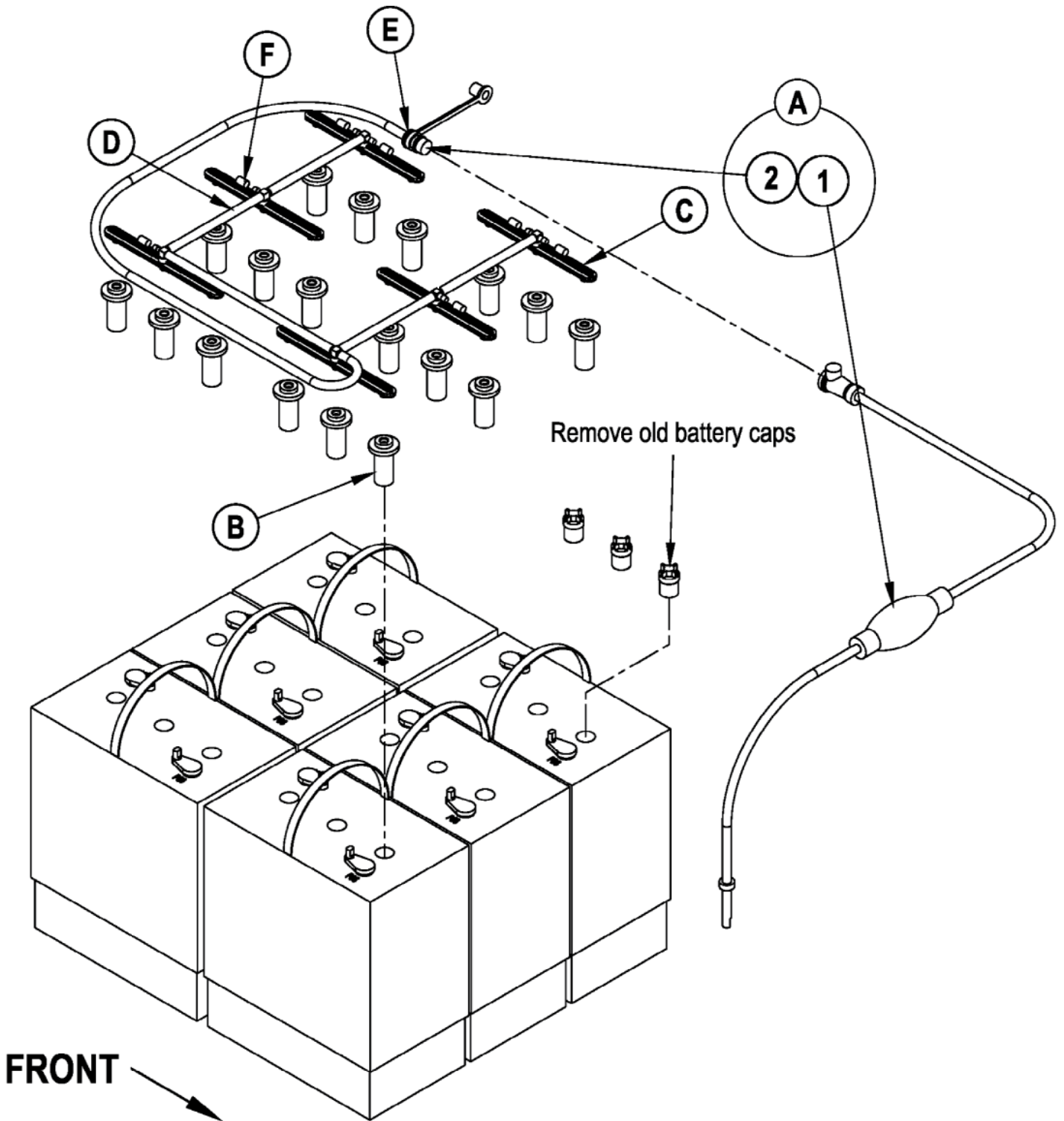
56314981/56601527 - Battery Watering Kit, fig.

BR 755, BR 855

10-01-2014

Part List ID
IS56040853A

52



56314981/56601527 - Battery Watering Kit, fig.

BR 755, BR 855

10-01-2014

Part List ID
IS56040853A

53

Pos	Part no.	Qty	Description	
1	56314978	1	WATER PUMP	
2	56314979	1	MANIFOLDS BATTERY WATERING	
2	56601525	1	MANIFOLD ASSEMBLY	
A	56314974	1	SYSTEM BATTERY WATERING	FOR 56314981
B	56601526	1	SYSTEM BATTERY WATERING	FOR 56601527

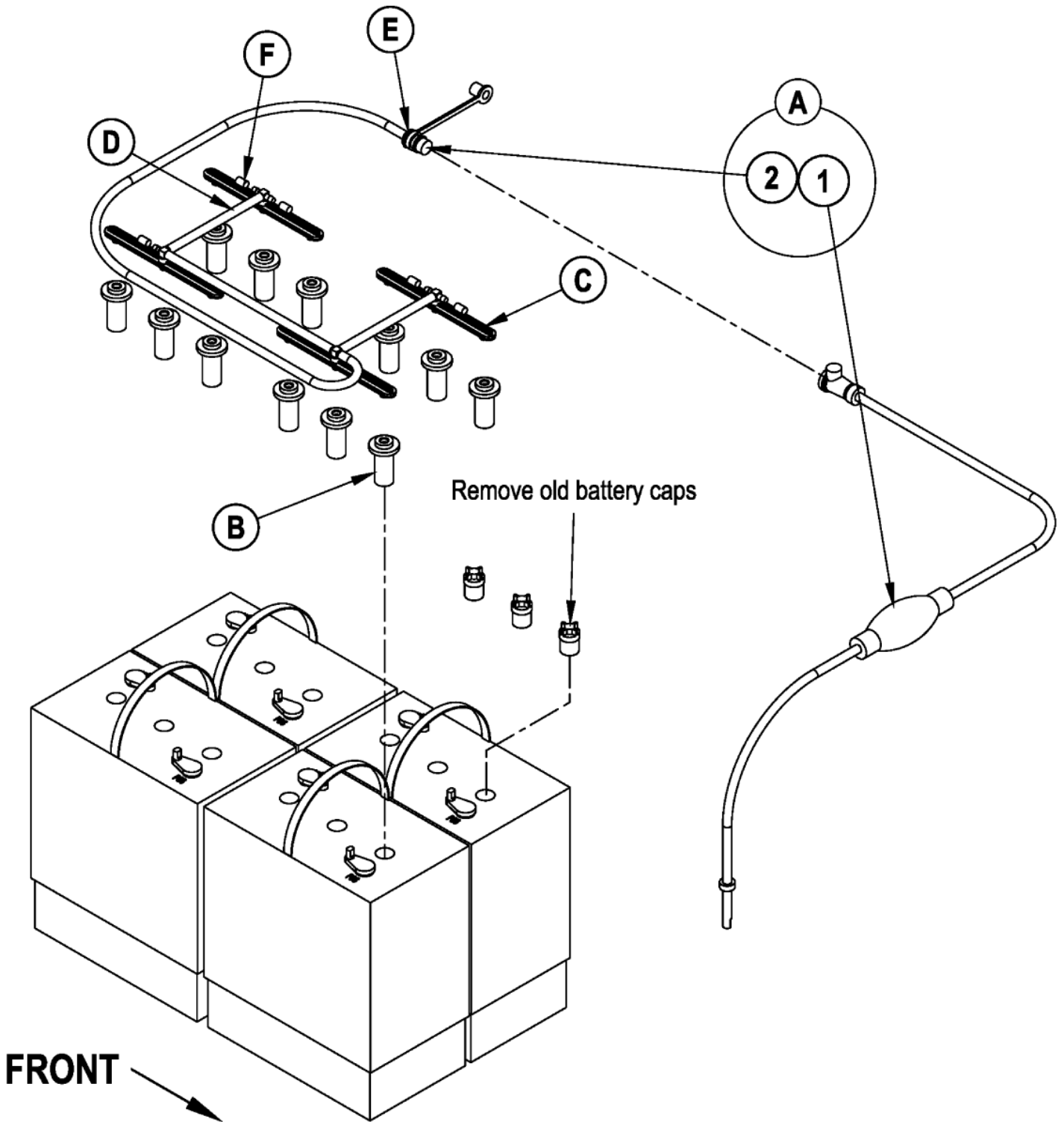
56314981/56601527 - Battery Watering Kit, fig.

BR 755, BR 855

10-01-2014

Part List ID
IS56040853B

54



56314981/56601527 - Battery Watering Kit, fig.

BR 755, BR 855

10-01-2014

Part List ID
IS56040853B

55

Pos	Part no.	Qty	Description	
1	56314978	1	WATER PUMP	
2	56314979	1	MANIFOLDS BATTERY WATERING	
2	56601525	1	MANIFOLD ASSEMBLY	
A	56314974	1	SYSTEM BATTERY WATERING	FOR 56314981
B	56601526	1	SYSTEM BATTERY WATERING	FOR 56601527

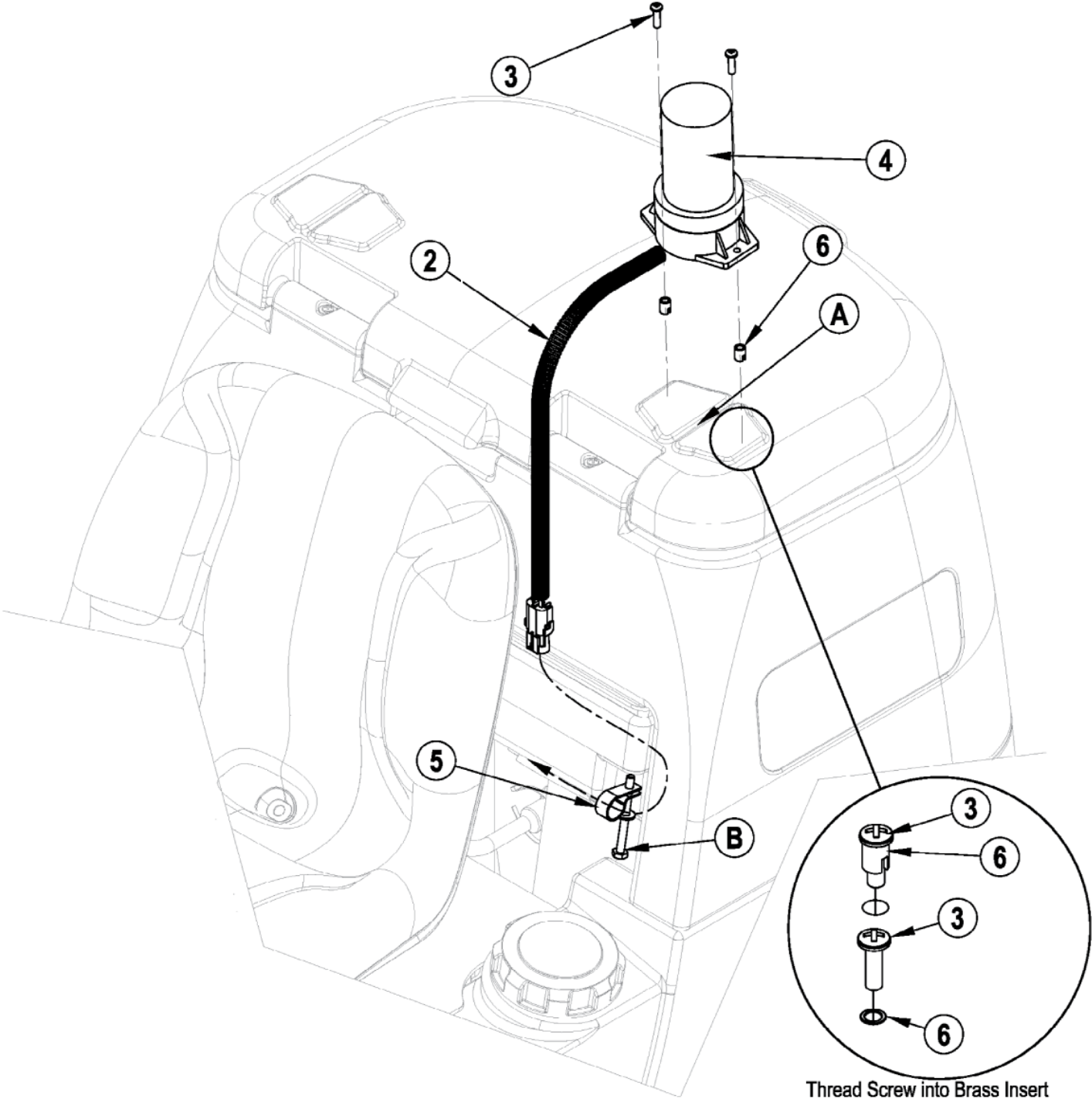
56601085 - Beacon Kit

BR 755, BR 855

10-01-2014

Part List ID
IS56040978

56



Thread Screw into Brass Insert and then thread the Insert into the tank lid until flush. Remove the Screw.

56601085 - Beacon Kit

BR 755, BR 855

10-01-2014

Part List ID
IS56040978

57

Pos	Part no.	Qty	Description
2	56459883	1	CONDUIT
3	56002896	2	Scr Pan Phil SS 10-24 x 0
4	56307166	1	BEACON ASSY
5	56486112	1	P Clamp Ax
6	56249946	2	INSERT BRASS FL150S

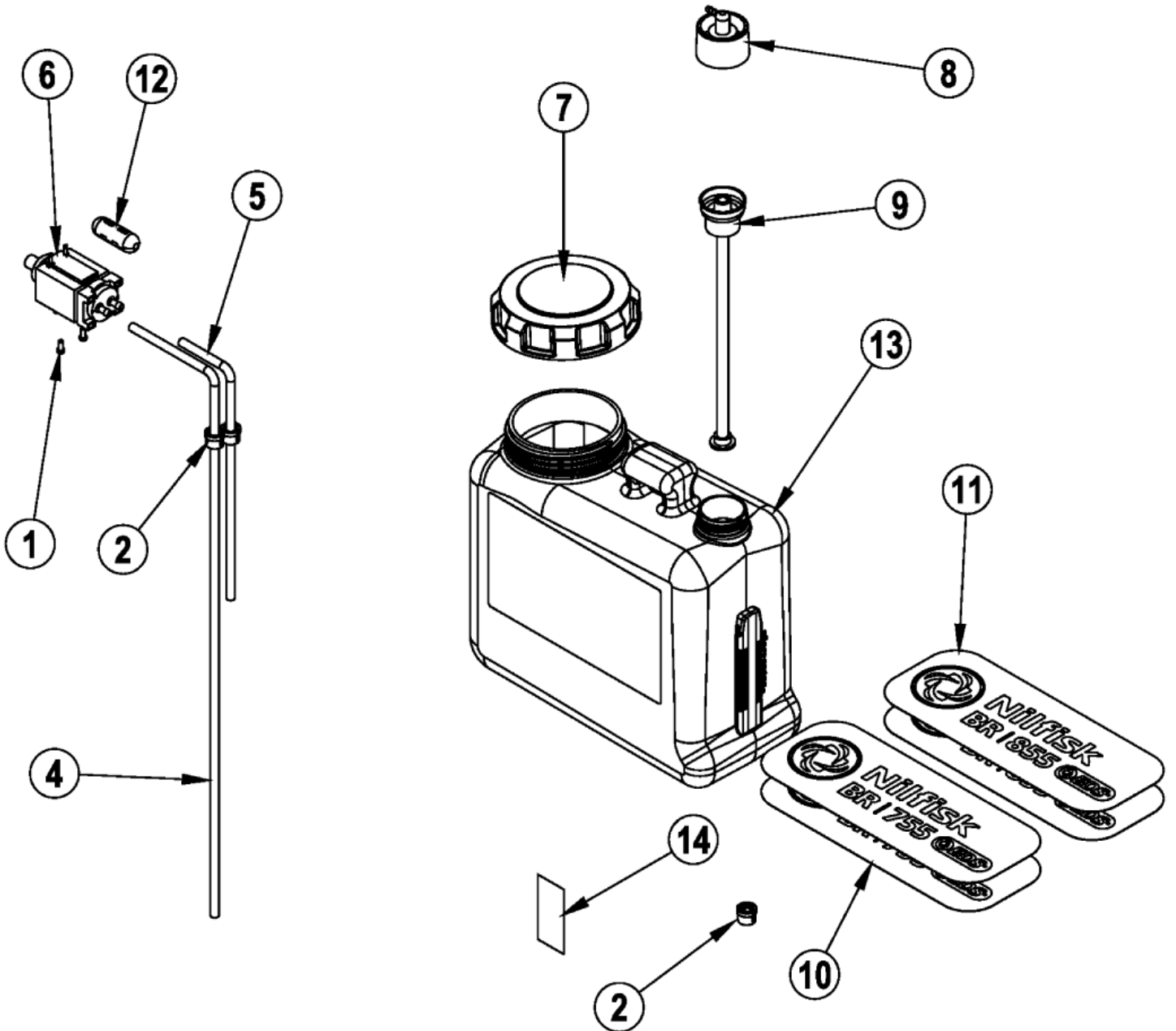
56601082 - EDS Onboard Chemical Kit

BR 755, BR 855

10-01-2014

Part List ID
IS56040982

58



56601082 - EDS Onboard Chemical Kit

BR 755, BR 855

10-01-2014

Part List ID
IS56040982

59

Pos	Part no.	Qty	Description
1	56002539	2	SCR PAN PHIL TD FORM 6-32 X.31
2	56003699	3	BUSHING 1/4 ID SNUB
4	56314942	1	HOSE CHEM RESISTANT
5	56314991	1	HOSE CHEM RESISTANT 14
6	56315241	1	PUMP CHEMICAL
7	56315517	1	CAP
8	56315523	1	CAP, DRY BREAK, 1/8 BARB
9	56315527	1	INSERT BREAK
10	56601306	2	DECAL BR755 ECOFLEX
11	56601308	2	DECAL BR855 ECOFLEX
12	56601514	1	FERRITE BEAD
13	56601544	1	CHEMICAL BOTTLE ASSEMBLY
14	56016331	1	DECAL CHEMICAL RATIO

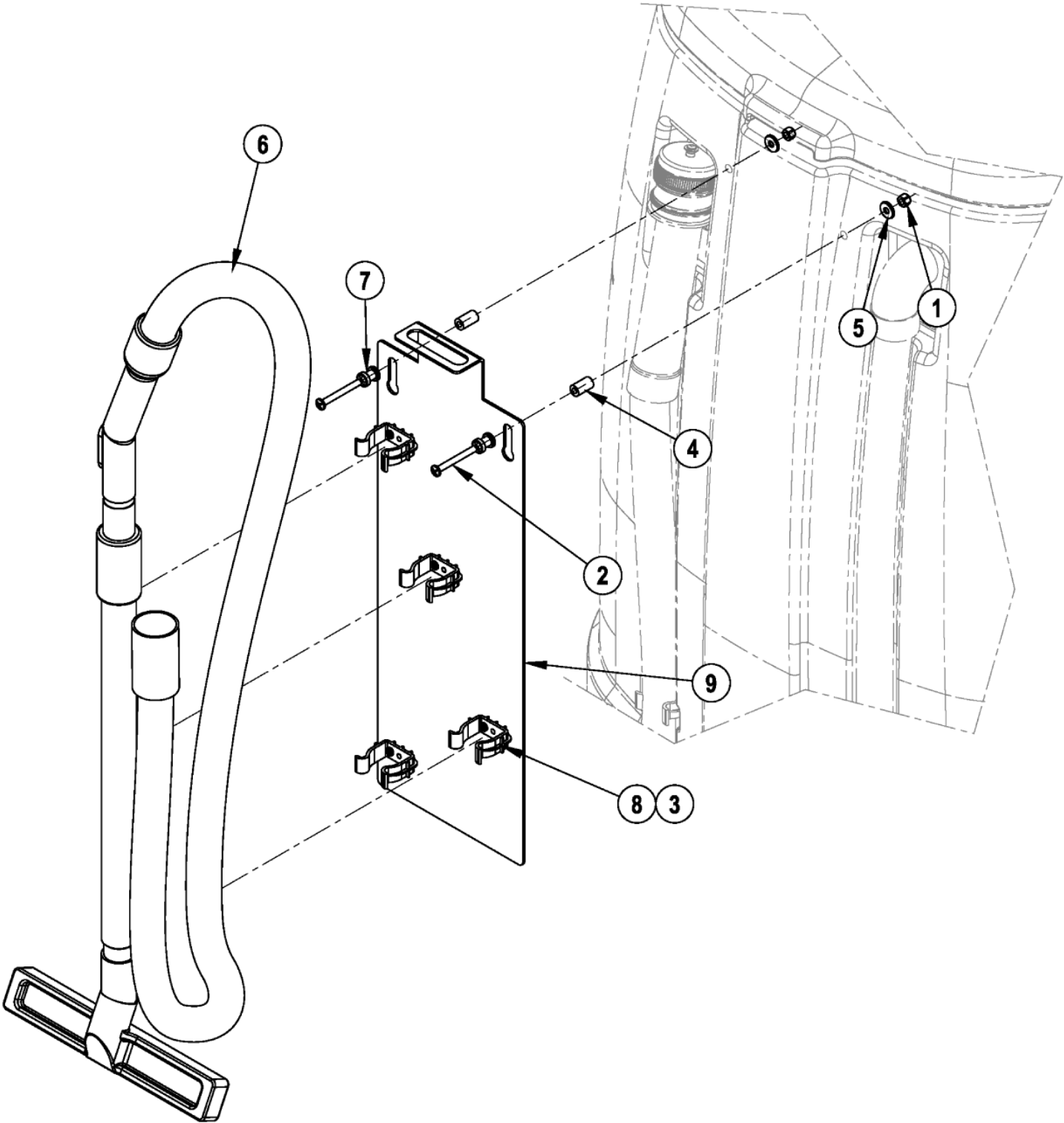
56601087 - Vacuum Wand Kit

BR 755, BR 855

10-01-2014

Part List ID
IS56040983

60



56601087 - Vacuum Wand Kit

BR 755, BR 855

10-01-2014

Part List ID
1S56040983

61

Pos	Part no.	Qty	Description
1	56002708	2	Nut Hex Nyloc 1/4-20
2	56002788	2	SCR PAN PHIL 1/4-20 X 2.2
3	56009030	8	SCR PAN PHIL THD FOM 10-2
4	56052237	2	SPACER PHEN--.250X.500X.875
5	56201047	2	WSH,SEALINE SS 5/16
6	56315309	1	SCRUB/VAC WAND HOSE
7	56315311	2	SPACER STEPPED
8	56407361	4	Clamp plastic
9	56601458	1	BRACKET WAND KIT

NOTE: Items (3, 8 & 9) are preassembled.

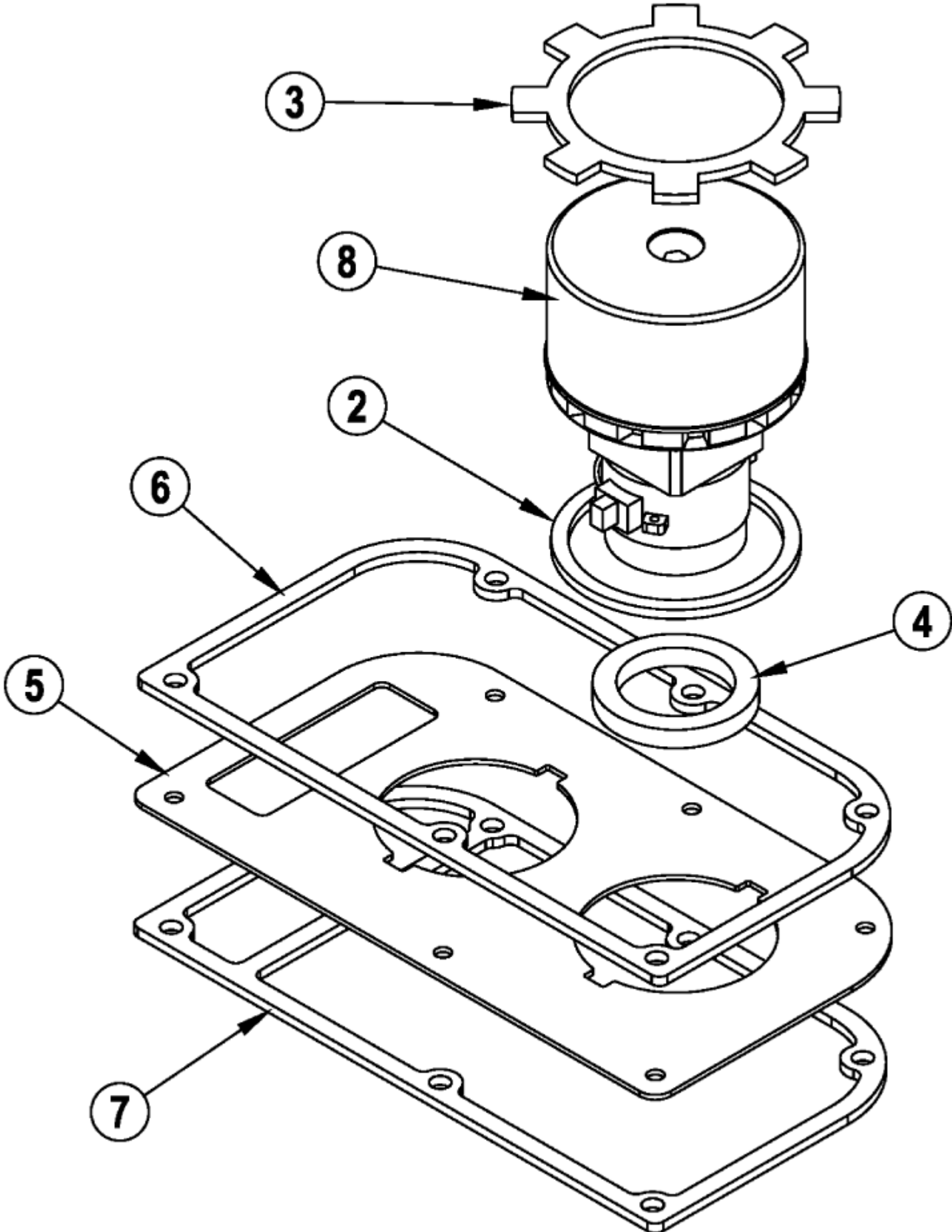
56601090 - Dual Vac Kit

BR 755, BR 855

10-01-2014

Part List ID
IS56040989

62



56601090 - Dual Vac Kit

BR 755, BR 855

10-01-2014

Part List ID
1S56040989

63

Pos	Part no.	Qty	Description	
2	56212143	1	GASKET VACUUM DUCT	
3	56264103	1	Gasket Vac Motor	
4	56314760	1	GASKET VACUUM DUCT	
5	56601122	1	PLATE VAC	
6	56601126	1	GASKET EXHAUST	
7	56601127	1	GASKET VAC	
8	56601488	1	VAC MOTOR W/SUPPRESSION	56601090

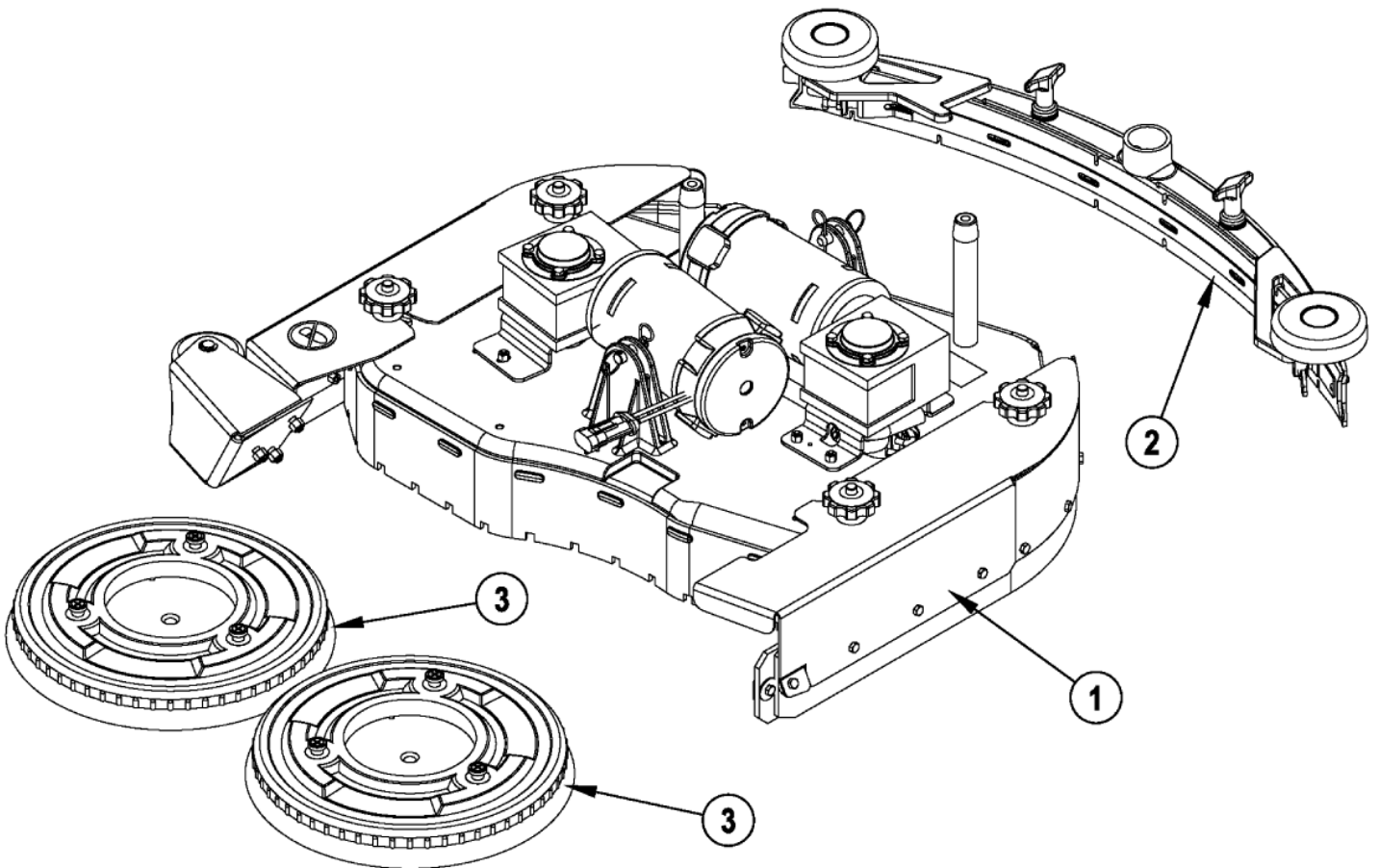
56601700 - BR 755 Disk Deck Assy Kit

BR 755, BR 855

10-01-2014

Part List ID
IS56040991A

64



56601700 - BR 755 Disk Deck Assy Kit

BR 755, BR 855

10-01-2014

Part List ID
IS56040991A

65

Pos	Part no.	Qty	Description
1		1	NOTE COMMENT 28" DISK DECK SYSTEM - NOT AVAILABLE
2	56601449	1	SQUEEGEE ASSEMBLY
3	56505800	2	BRUSH PADHOLDER 14in

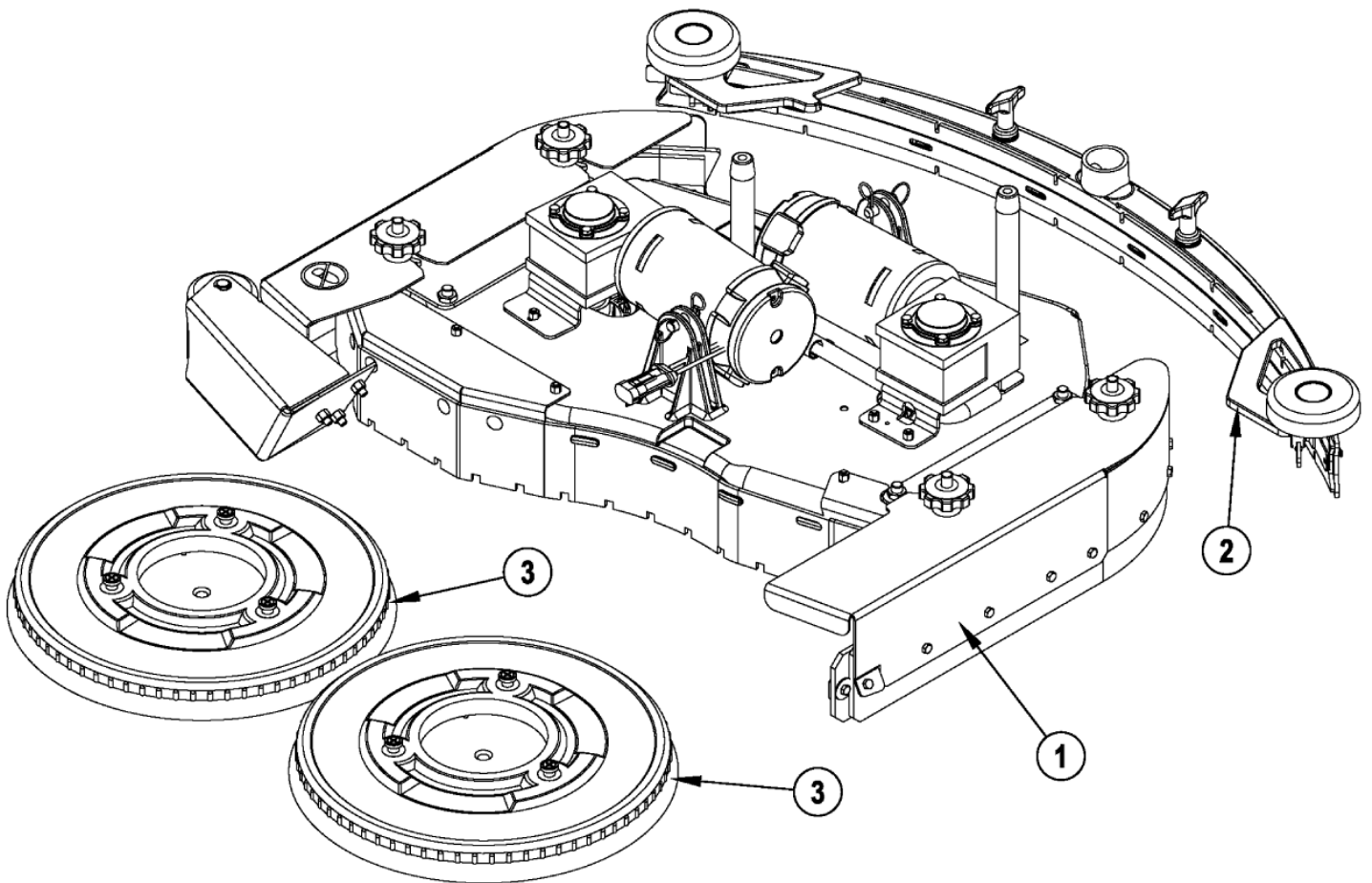
56601701 - BR 855 Disk Deck Assy Kit

BR 755, BR 855

10-01-2014

Part List ID
IS56040991B

66



56601701 - BR 855 Disk Deck Assy Kit

BR 755, BR 855

10-01-2014

Part List ID
IS56040991B

67

Pos	Part no.	Qty	Description
0	56601701	1	DECK KIT 34 IN EU
1		1	NOTE COMMENT 34" DISK DECK SYSTEM - NOT AVAILABLE
2	56601454	1	SGUEEGEE ASSEMBLY 56601547
3	56505780	2	BRUSH PADHOLDER 43CM

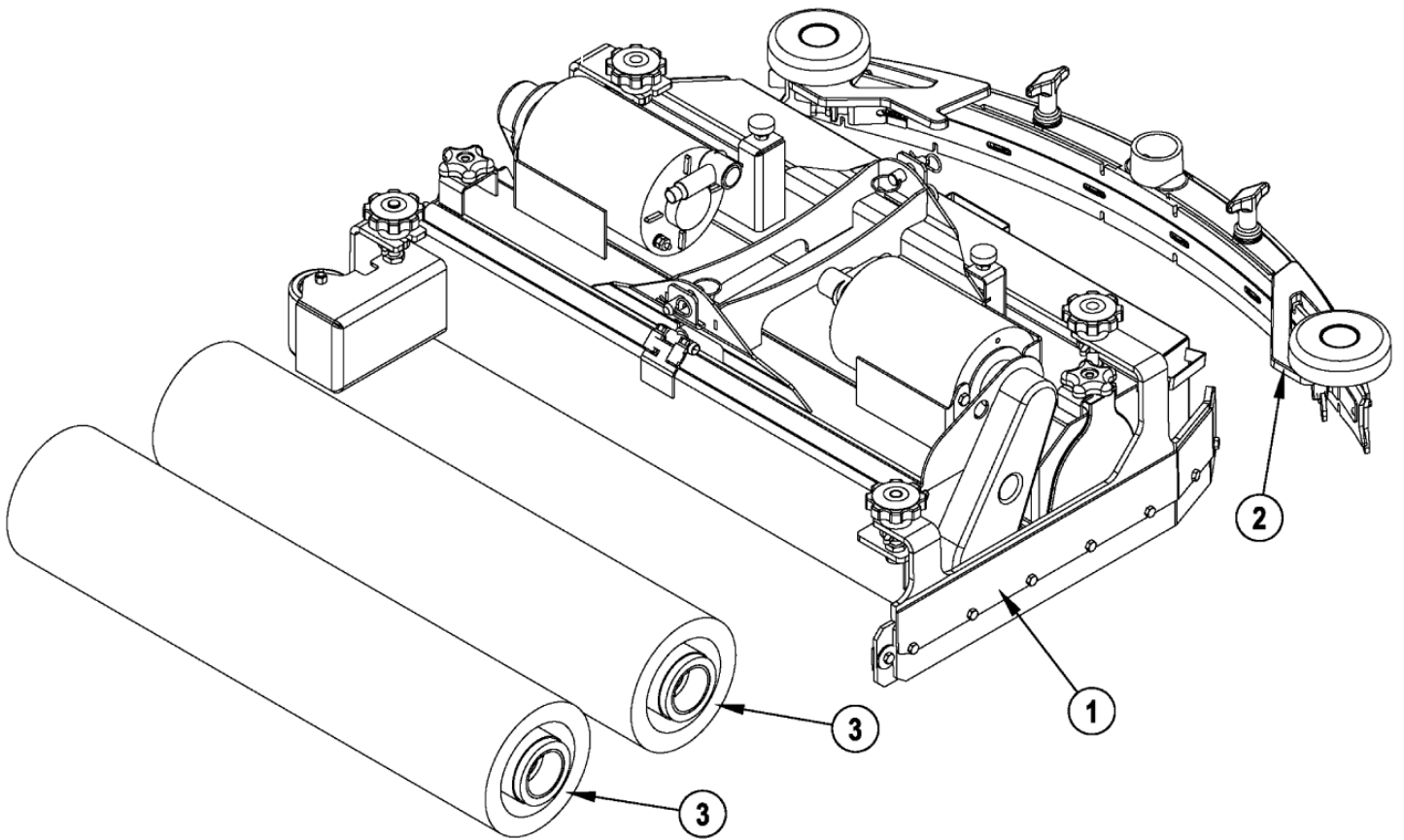
56601756 - BR755 Cylindrical Deck Assy Kit

BR 755, BR 855

10-01-2014

Part List ID
IS56040991C

68



56601756 - BR755 Cylindrical Deck Assy Kit

BR 755, BR 855

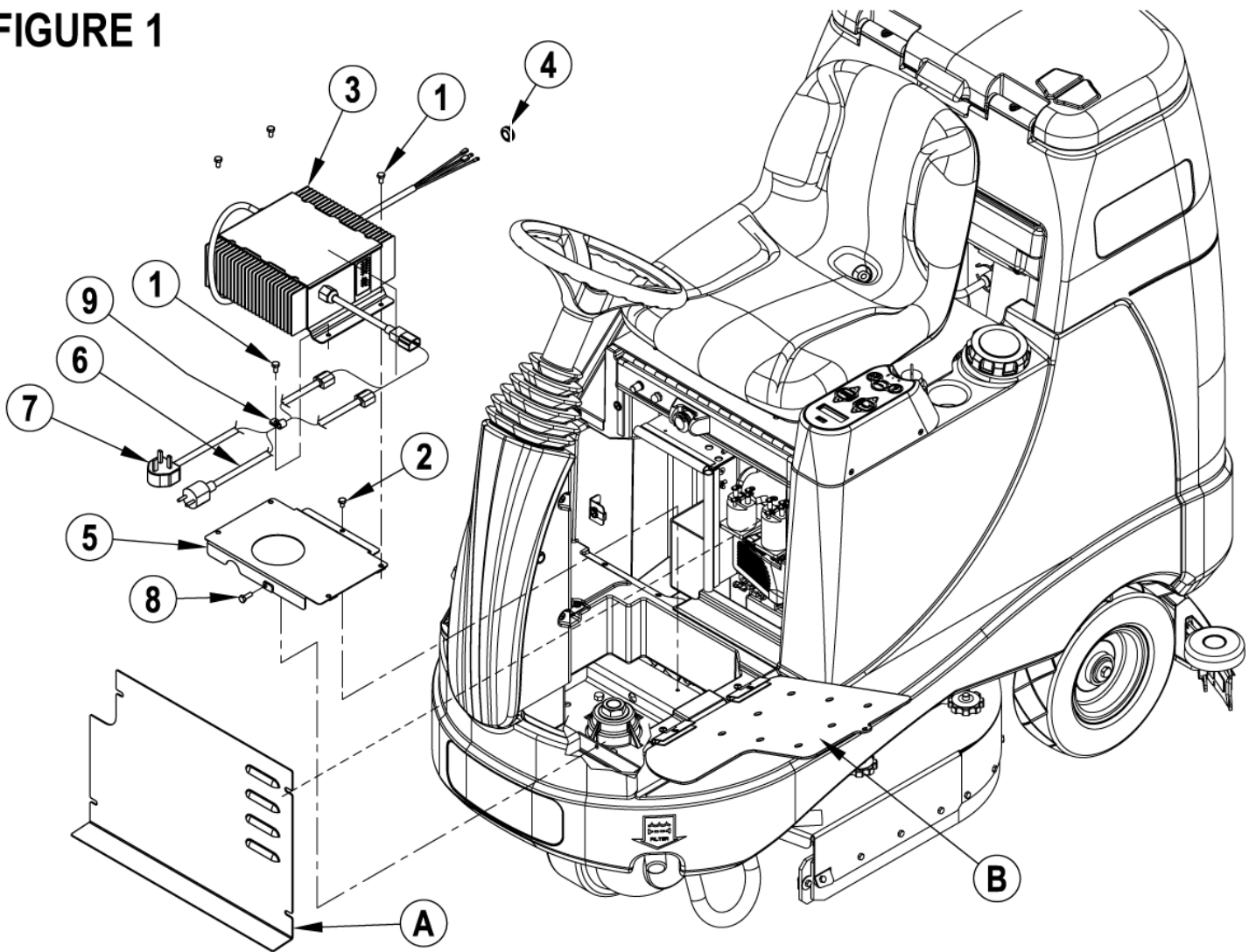
10-01-2014

Part List ID
IS56040991C

69

Pos	Part no.	Qty	Description
0	56601756	1	KIT-28 CYL DECK ASSY-EU
1		1	NOTE COMMENT 28" CYLINDRICAL DECK SYSTEM - NOT AVAILABLE
2	56601449	1	SQUEEGEE ASSEMBLY
3	56412046	2	CYLINDRICAL BRUSH 680MM 28in POLYPROPYLENE

FIGURE 1



56601080 - On Board Charger Kit EU

BR 755, BR 855

10-01-2014

Part List ID
IS56040990

71

Pos	Part no.	Qty	Description
1	56001854	4	Scr Hex Hd 1/4-20 x .50
2	56009019	1	Screw
3	56315124	1	CHARGER ONBOARD 24V
4	56157376	1	GROMMET 1 OD X 9/16 ID X 5/
5	56601417	1	CHARGER MOUNT BRACKET
6	56315271	1	CHARGER CORD - EUR
7	56315664	1	CHARGER CORD
8	56001836	1	Scr Hex Hd 1/4-20 x .62
9	56172017	1	P CLIP E00129

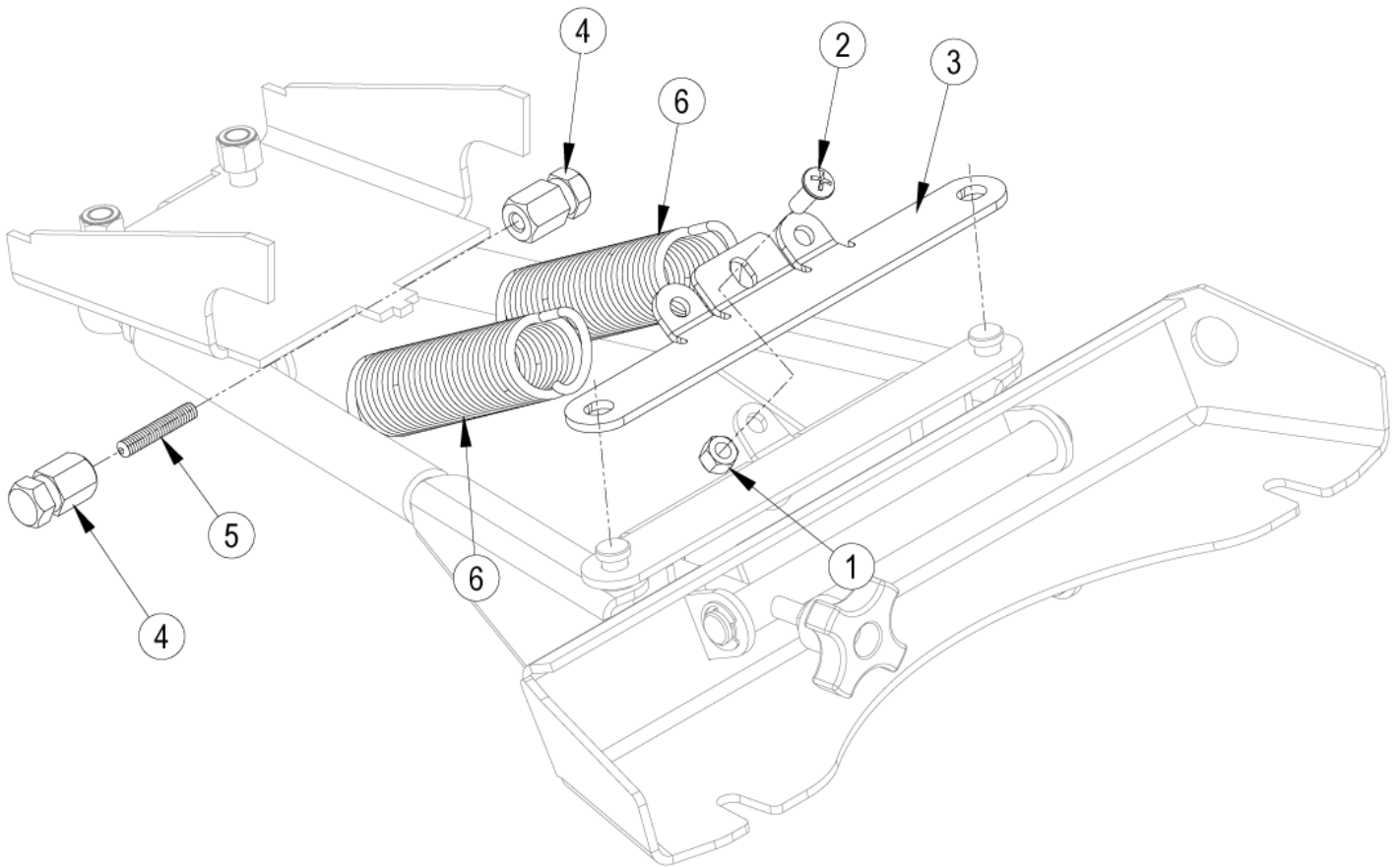
56382635 - Squeegee spring kit

BR 755, BR 855

10-01-2014

Part List ID
IS56090112

72



56382635 - Squeegee spring kit

BR 755, BR 855

10-01-2014

Part List ID
IS56090112

73

Pos	Part no.	Qty	Description
0	56382635	1	KIT SQUEEGEE SPRING
1	56002491	1	Nut Greer 1/4-20
2	56002957	1	1/4-20 C 3/4 SS SCREW
3	56382623	1	BRACKET-SPRING ADVENGER
4	56382624	2	NUT-SPRING
5	56382637	1	ROD-THREADED .25 X 1.25
6	56412216	2	SPRING