

SR 1000S B

Model:
SR 1000S B



Part List US-English

22-12-2013

Table of Contents

SR 1000S B

Chassis System	3
Bonnet System	5
Main Broom Assembly	7
Right-Left Hub Assemblies	9
Side Broom Assembly - before SN 062211241	11
Side Broom Assembly - from SN 062211241	13
Steering System - before SN 062211241	15
Steering System - from SN 062211241	18
Drive system - before SN 062211241	21
Drive system - from SN 062211241	23
Pedal Assemblies - before serial no. 051807363	25
Pedal Assemblies - after serial no. 051807363	27
Control Panel System	29
Transmission System	31
Reduction Motor Assembly	33
Dust Control System	35
Hopper System	37
Electrical Components	39
Decals	41
Accessories 1	43
Accessories 2	45
Accessories 3	47
Accessories 4	49
Accessories 5	51
Recommended spare parts 1	53
Recommended spare parts 2	56
Electric Diagram	58

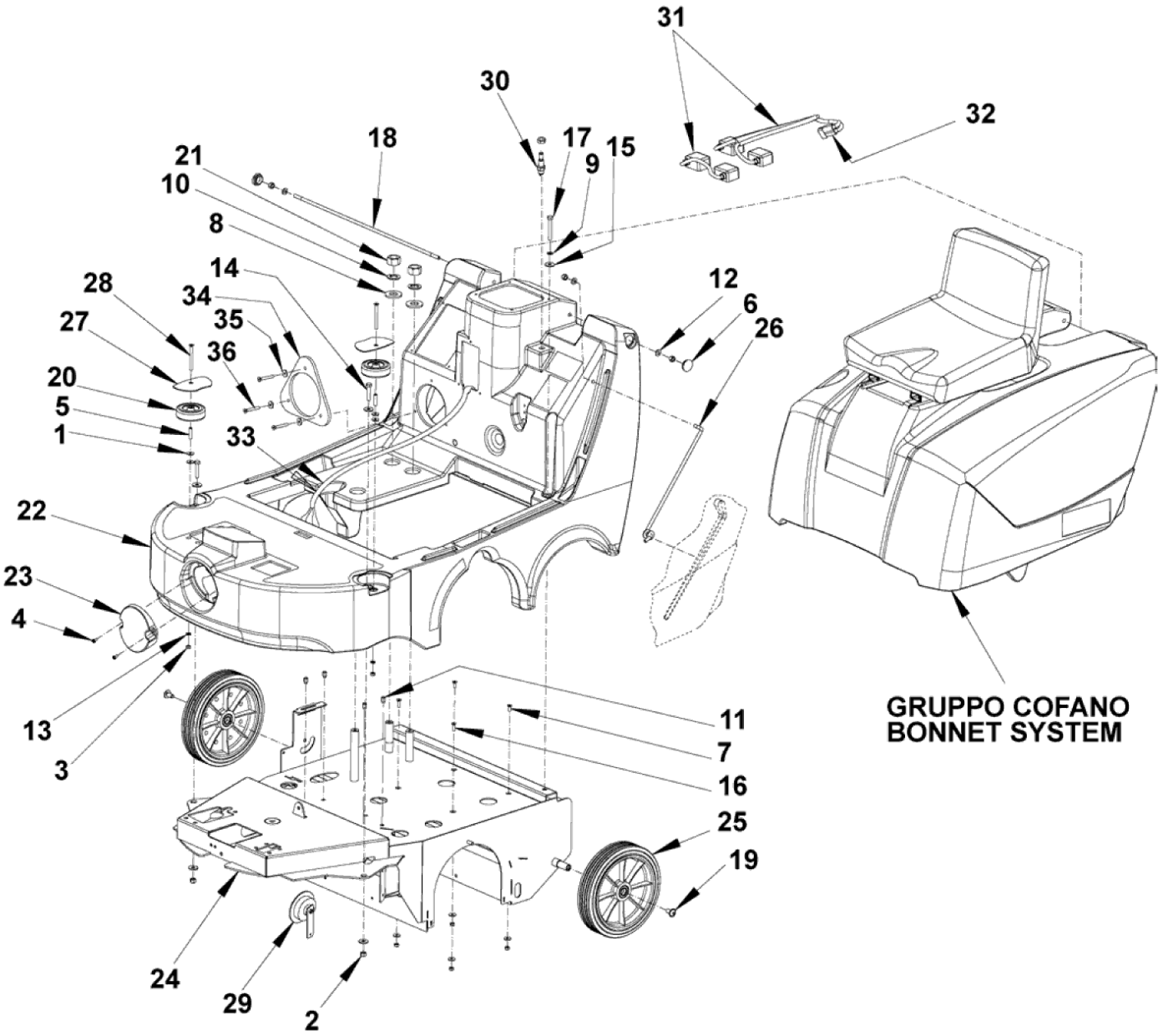
Chassis System

SR 1000S B

22-12-2013

Part List ID
F39103

3



Chassis System

SR 1000S B

22-12-2013

Part List ID

F-39103

4

Pos	Part no.	Qty	Description	
0	1464391000	1	HARDWARE CHASSIS SYST KIT	
0	1464392000	2	ROLLER BUMPER KIT	
0	9097590000	1	CABLE BATTERY INTERCONNECTION	
1		4	NOTE COMMENT	WASHER FLAT M6X18
2		5	NOTE COMMENT	NUT SELF LOCKING M8
3		6	NOTE COMMENT	NUT SELF LOCKING M6
4		2	NOTE COMMENT	SCREW M5X10
5		2	NOTE COMMENT	SPACER
6	L08812365	2	CAP. BLACK	
7		2	NOTE COMMENT	SCREW M6X16
8		2	NOTE COMMENT	WASHER FLAT M20X43
9		1	NOTE COMMENT	WASHER SPLIT M8
10		2	NOTE COMMENT	WASHER SPLIT M20
11		4	NOTE COMMENT	INSERT M6
12		3	NOTE COMMENT	WASHER FLAT M8X17
13		2	NOTE COMMENT	WASHER FLAT 6X12,5
14		2	NOTE COMMENT	SCREW M8X40
15		5	NOTE COMMENT	WASHER FLAT M8X24
16		2	NOTE COMMENT	SCREW M6X20
17		1	NOTE COMMENT	SCREW M8X60
18	146 0534 000	1	SHAFT. HANDLE	
19		2	NOTE COMMENT	SCREW M10X20
20		2	NOTE COMMENT	ROLLER BUMPER
21		2	NOTE COMMENT	HEXAGONAL NUT M20
22	146 1681 000	1	CHASSIS ROTOMOLDED	
23	1465168000	1	COVER LIGHT	
24	146 2965 000	1	FRAME	
25	146 1899 000	2	WHEEL	
26	146 1900 000	1	ROD BONNET SUPPORTING	
27		2	NOTE COMMENT	PLATE
28		2	NOTE COMMENT	SCREW M6X70
29	145 8881 000	1	HORN 24V	
30	146 0565 000	1	SWITCH. HOOD SAFETY	
31	146 1904 000	1	HARNESS BATTERY SR1000S B	
32	146 1986 000	1	CONNECTOR 120A	
33	146 2240 000	1	HARNESS MACHINE SR1000S B	
34	146 3127 000	1	GASKET	
35	33005916	3	WASHER M10 UNI6592	
36	33004578	3	SCREW M6X20 10.9 UNI5933	

Bonnet System

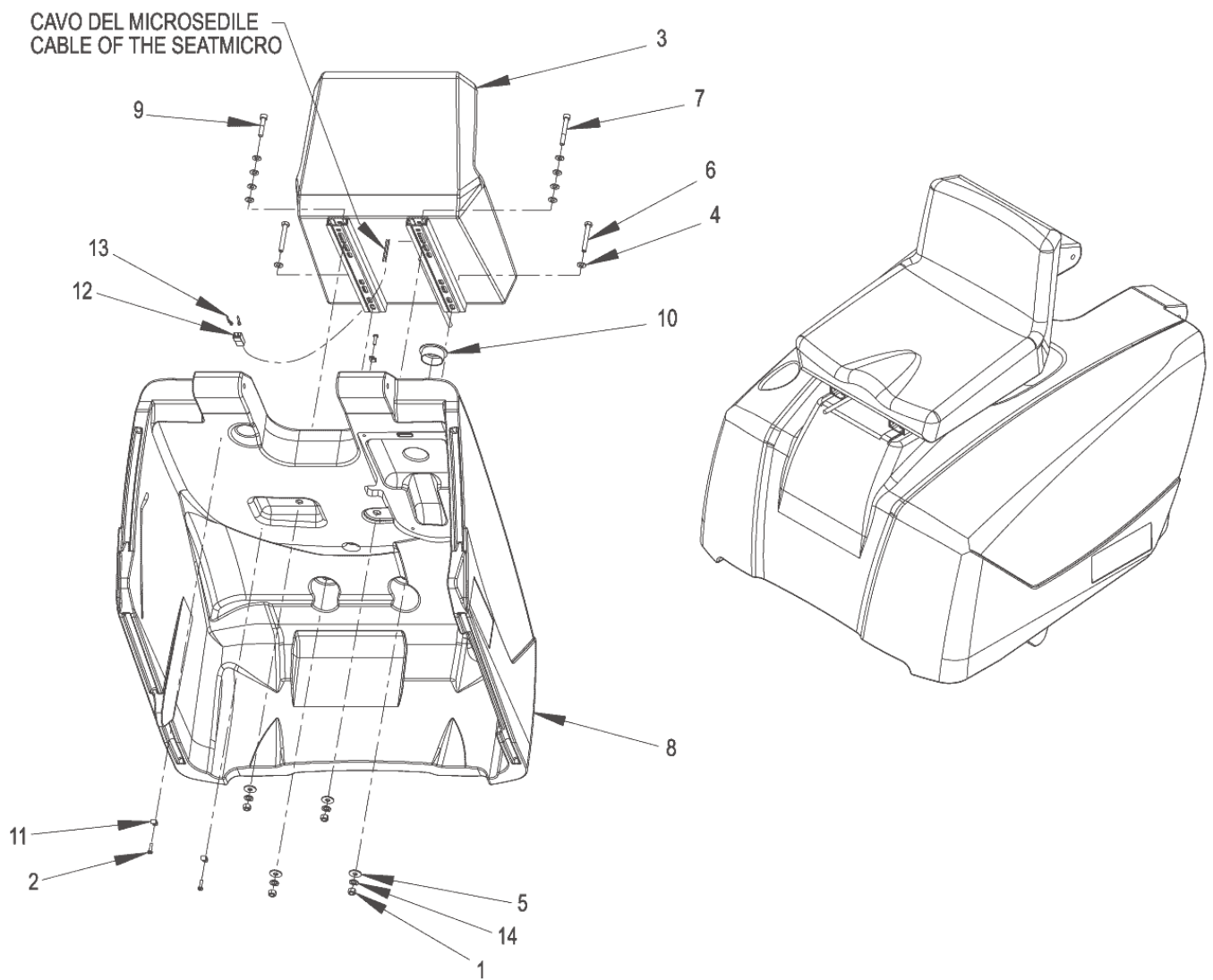
SR 1000S B

22-12-2013

Part List ID

F39105

5



Bonnet System

SR 1000S B

22-12-2013

Part List ID

F-39105

6

Pos	Part no.	Qty	Description	
0	1463241000	1	HARNESSE SEAT MICRO KIT	TSB IT 2007-012
0	1464393000	1	HARDWARE BONNET SYST KIT	
1		4	NOTE COMMENT	NUT HEX. M8
2		3	NOTE COMMENT	SCREW 4.6X19.2
3	145 1782 000	1	SEAT W/MICROSWITCH	
4		10	NOTE COMMENT	WASHER FLAT M8X17
5		4	NOTE COMMENT	WASHER FLAT M8X24
6		2	NOTE COMMENT	SCREW M8X60
7		1	NOTE COMMENT	SCREW M8X60
8	146 1682 000	1	HOOD ROTOMOLDED. BATTERY	
9		1	NOTE COMMENT	SCREW M8X40
10	146 1970 000	1	CAP D.46	
11		3	NOTE COMMENT	CABLE CLAMP
12	145 3740 000	1	TERMINAL 1/2.5	
13	145 3733 000	1	CONNECTOR	
14		4	NOTE COMMENT	WASHER SPLIT M8

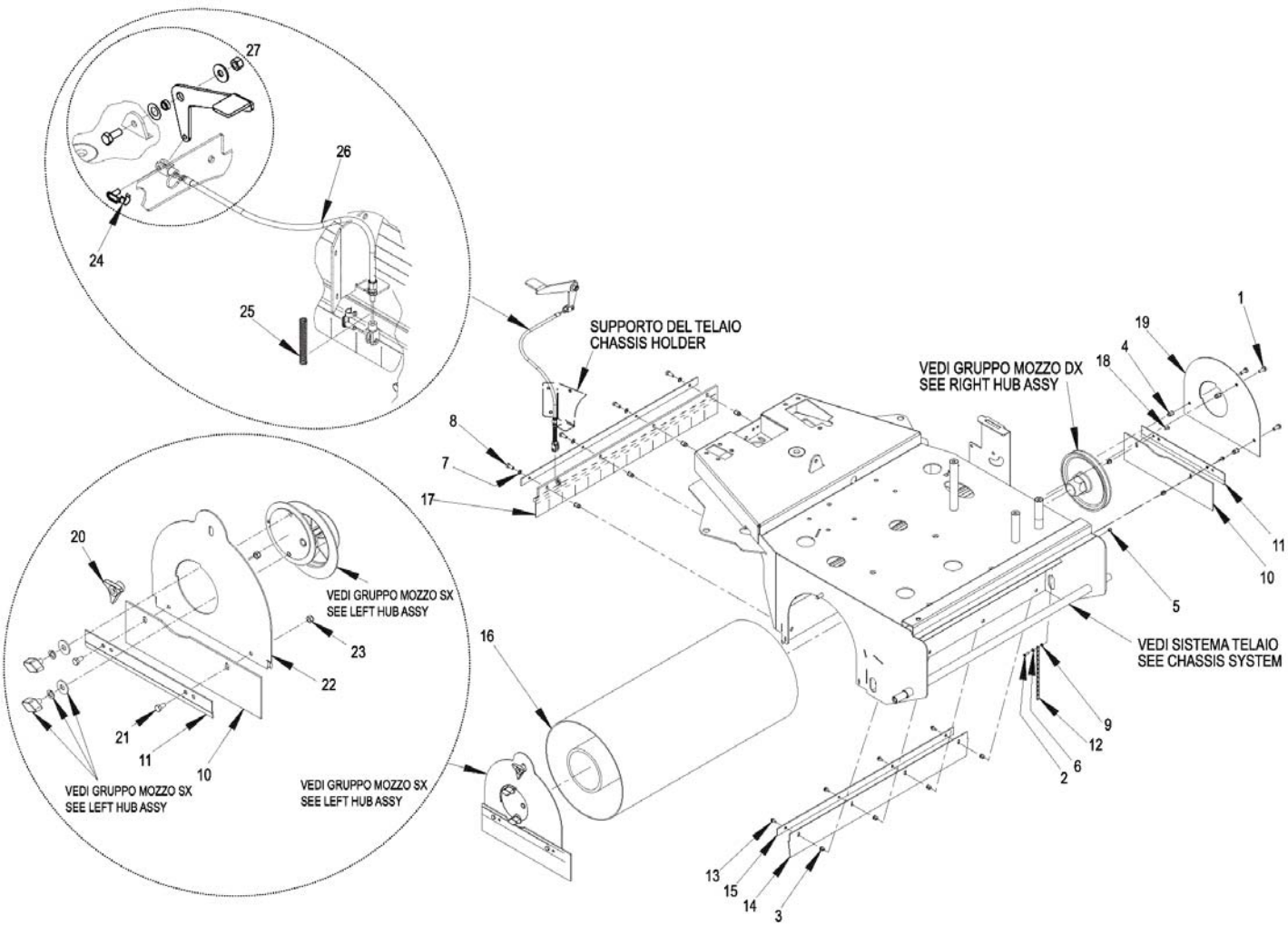
Main Broom Assembly

SR 1000S B

22-12-2013

Part List ID F39107

7



Main Broom Assembly

SR 1000S B

22-12-2013

Part List ID

F-39107

8

Pos	Part no.	Qty	Description
0	1464394000	1	HARDWARE MAIN BROOM KIT
0	1464395000	1	HUB LEFT KIT
0	1464396000	1	HUB RIGHT KIT
1		3	NOTE COMMENT SCREW M6X16
2		1	NOTE COMMENT SCREW 4X12
3		6	NOTE COMMENT NUT SCREW
4		7	NOTE COMMENT INSERT M6
5		1	NOTE COMMENT NUT SELFLOCKING M8
6		1	NOTE COMMENT WASHER FLAT 4X9
7		4	NOTE COMMENT WASHER SPLIT 6
8		4	NOTE COMMENT SCREW M6X16
9		1	NOTE COMMENT TOOTHED WASHER 4
10	146 0555 000	2	SKIRT SIDE
10	146 0587 000	2	SKIRT SIDE NON MARKING
11	146 0557 000	2	PLATE SIDE SKIRT
12	146 0611 000	1	CHAIN GROUND KIT
13		5	NOTE COMMENT SCREW 3.9X13
14	146 0738 000	1	SKIRT REAR
14	146 0743 000	1	SKIRT REAR NON MARKING
15	146 0739 000	2	PLATE.FRONT SKIRT
16	146 0748 000	1	BROOM MAIN D.265X600 PPL 0.7
16	146 0749 000	1	BROOM MAIN D.265X600 NATURAL FIBRE
16	146 0750 000	1	BROOM MAIN D.265X600 STEEL MIX
16	146 0753 000	1	BROOM MAIN D.245X600 NATURAL FIBRE
17	146 0756 000	1	SKIRT FRONT SOFT
18		1	NOTE COMMENT SCREW 3.9X13
19	146 2137 000	1	HATCH RIGHT MAIN BROOM
20	145 5035 000	1	KNOB M8
21		2	NOTE COMMENT SCREW HEX. M6X12
22	146 2136 000	1	HATCH LEFT MAIN BROOM
23		2	NOTE COMMENT NUT HEX. SELFLOCK. M6
24	145 4536 000	2	CIRCLIP M6
25	145 1935 000	1	SPRING
26	145 1975 000	1	CABLE SKIRT RAIS.DEVICE
27	146 2161 000	2	PEDAL SKIRT RAISING DEVICE KIT

Right-Left Hub Assemblies

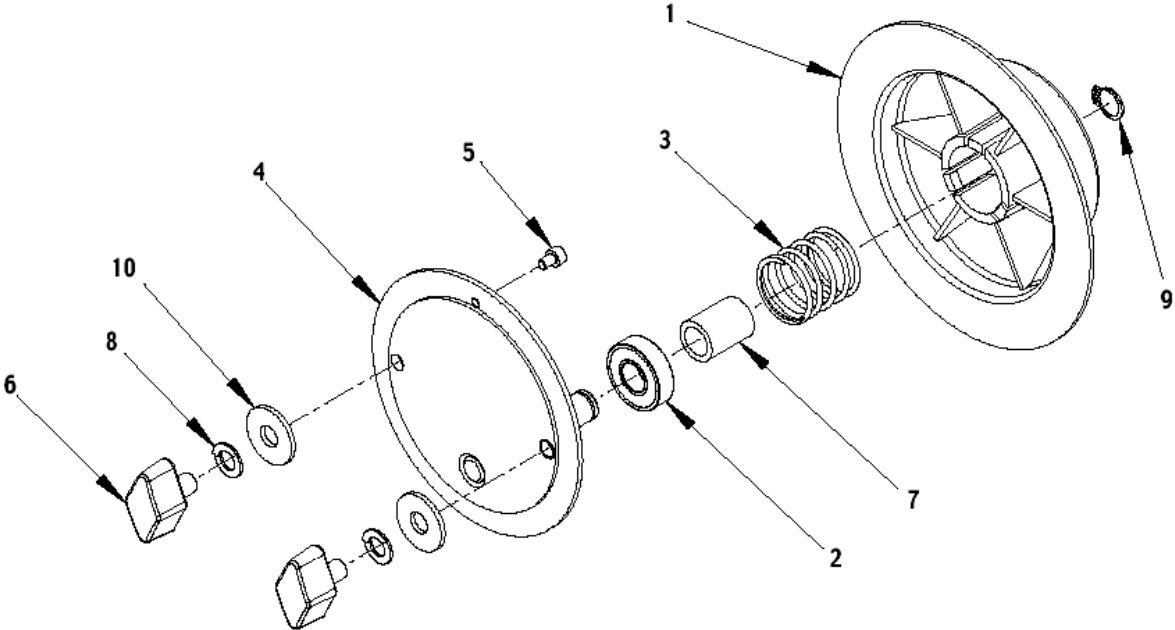
SR 1000S B

22-12-2013

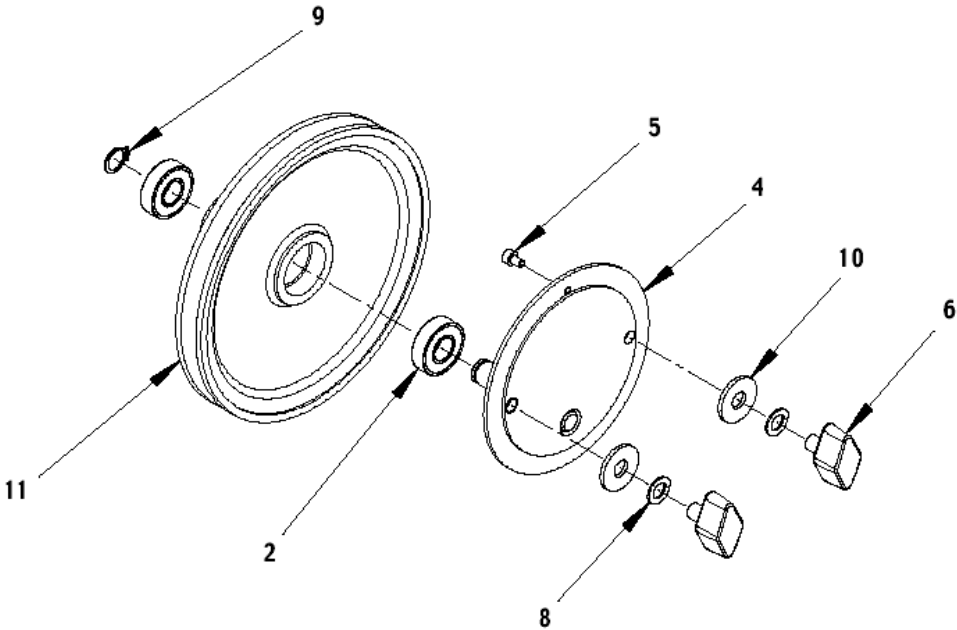
Part List ID
F39109

9

**KIT GRUPPO MOZZO SX
LEFT HUB ASSEMBLY KIT**



**KIT GRUPPO MOZZO DX
RIGHT HUB ASSEMBLY KIT**



Right-Left Hub Assemblies

SR 1000S B

22-12-2013

Part List ID

F-39109

10

Pos	Part no.	Qty	Description
0	1464395000	1	HUB LEFT KIT
0	1464396000	1	HUB RIGHT KIT
1		1	NOTE COMMENT LEFT HUB
2		3	NOTE COMMENT BALL BEARING
3		1	NOTE COMMENT SPRING
4		2	NOTE COMMENT PIN
5		2	NOTE COMMENT SCREW HEX HD M4X6
6		4	NOTE COMMENT KNOB
7		1	NOTE COMMENT SPACER
8		4	NOTE COMMENT WASHER
9		2	NOTE COMMENT RETAINING RING
10		4	NOTE COMMENT WASHER FLAT
11		1	NOTE COMMENT PULLEY

Side Broom Assembly - before SN 062211241

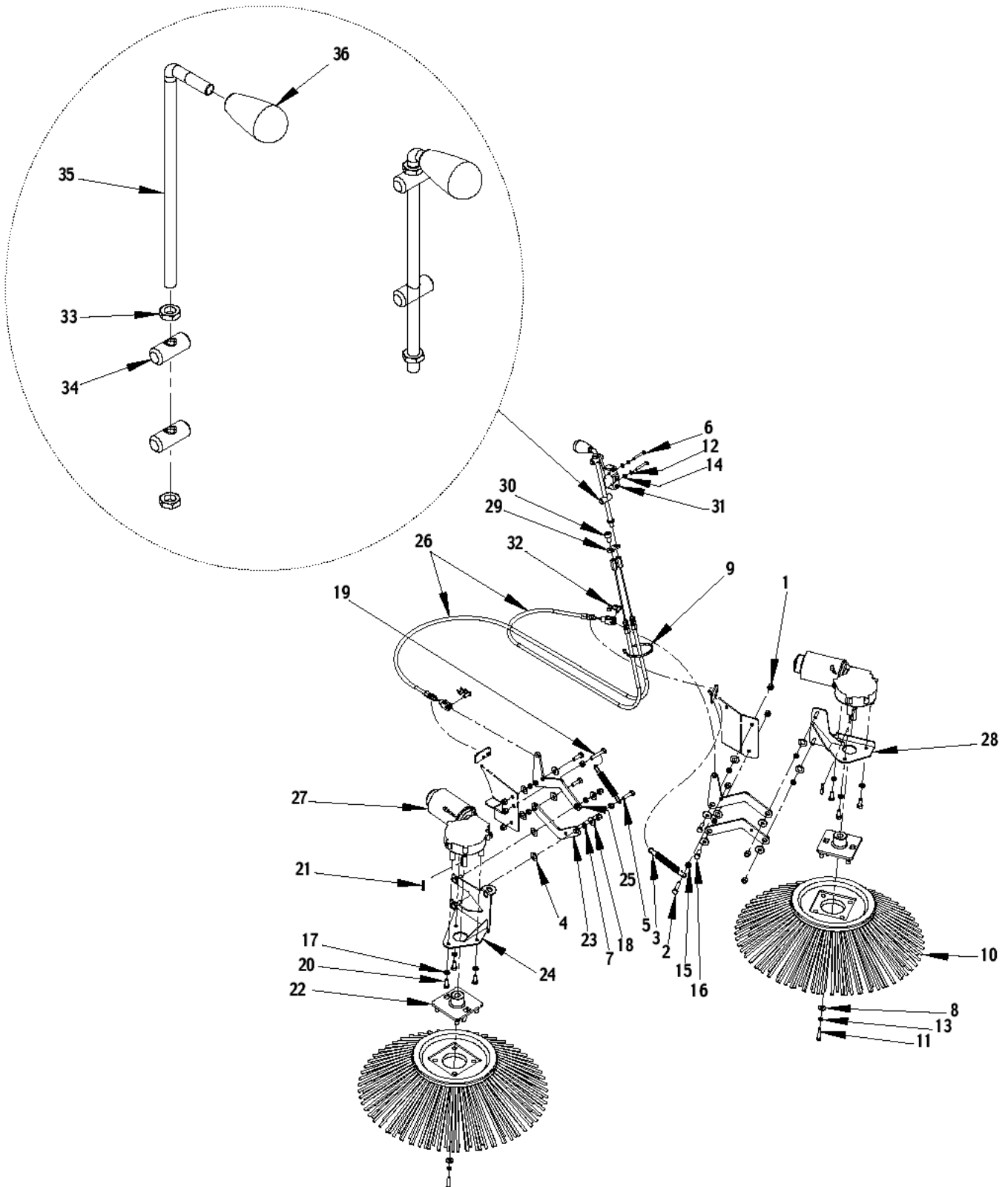
SR 1000S B

22-12-2013

Part List ID

F39111

11



Side Broom Assembly - before SN 06221124'

SR 1000S B

22-12-2013

Part List ID

F-39111

12

Pos	Part no.	Qty	Description
0	146 2226 000	1	HARDWARE SIDE BROOM KIT SR 1000S
0	1464054000	1	CARBON BRUSHES W/HOLDER KIT
1		10	NOTE COMMENT NUT SELF LOCKING M6
2		1	NOTE COMMENT SCREW M6X30
3	145 0274 000	2	SPRING
4	145 1147 000	8	WASHER 10.2X18.8X0.35 10.2x18.8X0.35
5		1	NOTE COMMENT SCREW M6X25
6		2	NOTE COMMENT SCREW M4X30
7		8	NOTE COMMENT SPACER
8		2	NOTE COMMENT WASHER FLAT 5X15
9		1	NOTE COMMENT CLAMP 3.6X140
10	145 1899 000	2	BROOM SIDE 180X420 PPL 0.8 OPTIONAL
10	145 4959 000	2	BROOM SIDE 180X420 STEEL MIX
10	145 4976 000	2	BROOM SIDE 180X420 NATURAL FIBRE OPTIONAL
10	146 0678 000	2	BROOM SIDE NYLON D.180X347 OPTIONAL
11		2	NOTE COMMENT SCREW M5X25
12		2	NOTE COMMENT WASHER SPLIT
13		2	NOTE COMMENT WASHER SPLIT
14		2	NOTE COMMENT WASHER FLAT M4X9
15		3	NOTE COMMENT NUT M6
16		4	NOTE COMMENT SCREW M6X20
17		6	NOTE COMMENT WASHER SPLIT
18		8	NOTE COMMENT WASHER FLAT M6X18
19		1	NOTE COMMENT SCREW M6X35
20		6	NOTE COMMENT SCREW M6X16
21		2	NOTE COMMENT KEY
22	146 0519 000	2	HUB SIDE BROOM
23	146 0558 000	2	ARM SIDE BROOM
24	146 0559 000	1	BRACKET BROOM USED ON MACHINES PRODUCED BEFORE JUNE 2006
25	146 1894 000	2	ARM. SIDE BROOM
26	146 1895 000	2	CABLE. SIDE BROOM
27	1464152000	2	REDUCTION GEARMOTOR 60W 24V
28	146 2972 000	1	BRACKET. SIDE BROOM
29	146 2107 000	1	PLATE
30		1	NOTE COMMENT SCREW M8X12
31	145 9679 000	1	MICROSWITCH 10A 250V
32	145 4536 000	2	CIRCLIP M6
33		2	NOTE COMMENT NUT M8
34	L08601509	2	PIN SUPPORT
35	146 1955 000	1	PIN
36	145 9319 000	1	KNOB M8

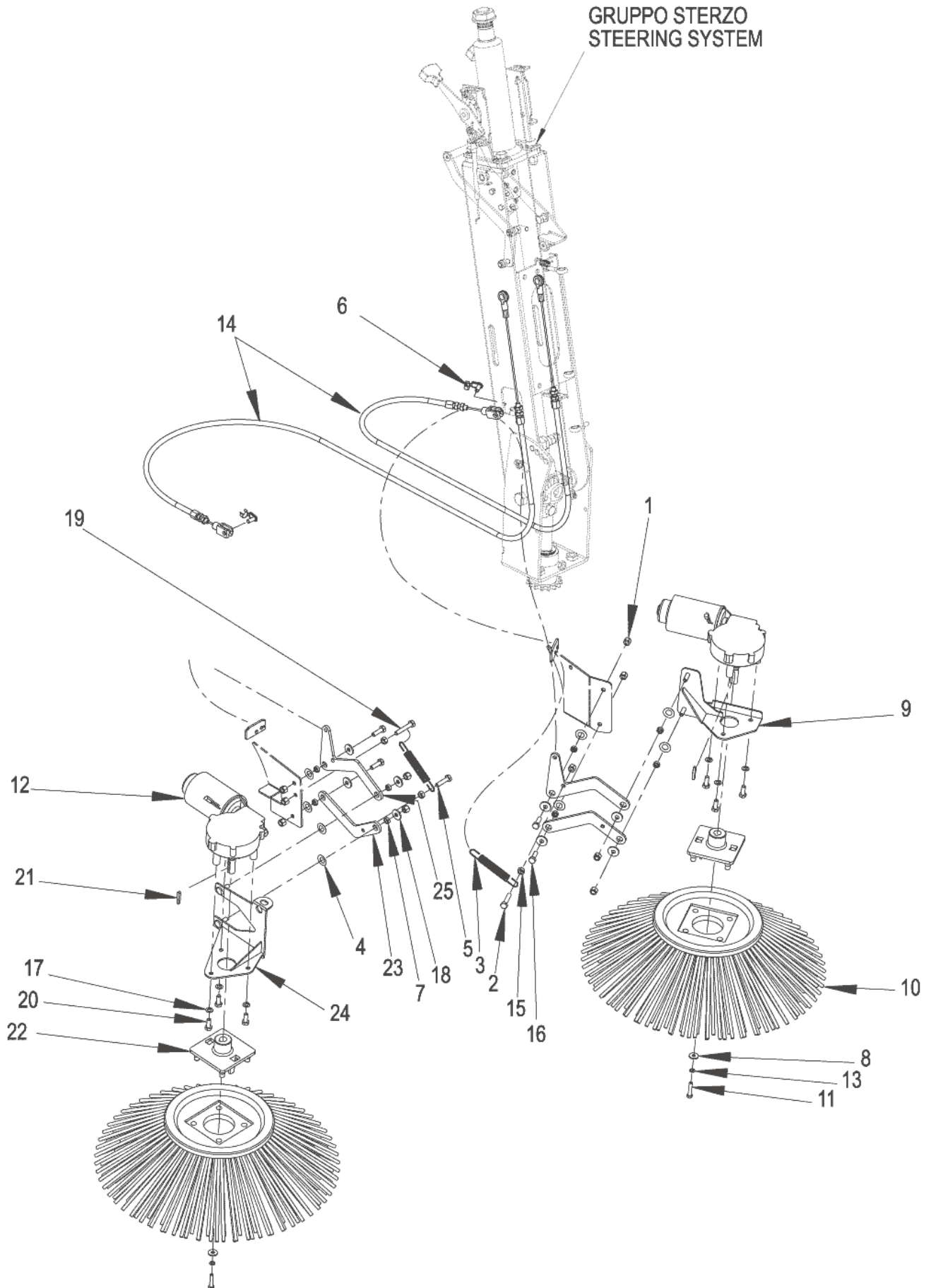
Side Broom Assembly - from SN 062211241

SR 1000S B

22-12-2013

Part List ID
F39113

13



Side Broom Assembly - from SN 062211241

SR 1000S B

22-12-2013

Part List ID

F-39113

14

Pos	Part no.	Qty	Description	
0	1464054000	1	CARBON BRUSHES W/HOLDER KIT	FOR OLD RED.GEAR MOT.146 1897 000
0	1464166000	1	CARBON BRUSHES W/HOLDER KIT	FOR NEW RED.GEAR MOT.1464152000
0	1464397000	1	HARDWARE SIDE BROOMS KIT	
1		10	NOTE COMMENT	NUT SELF LOCKING M6
2		1	NOTE COMMENT	SCREW M6X30
3	145 0274 000	2	SPRING	
4	145 1147 000	8	WASHER 10.2X18.8X0.35	10.2x18.8X0.35
5		1	NOTE COMMENT	SCREW M6X25
6	145 4536 000	2	CIRCLIP M6	
7		8	NOTE COMMENT	SPACER
8		2	NOTE COMMENT	WASHER FLAT 5X15
9	146 2972 000	1	BRACKET. SIDE BROOM	
10	145 1899 000	2	BROOM SIDE 180X420	PPL 0.8 OPTIONAL
10	145 4959 000	2	BROOM SIDE 180X420	STEEL MIX
10	145 4976 000	2	BROOM SIDE 180X420	NATURAL FIBRE OPTIONAL
10	146 0678 000	2	BROOM SIDE NYLON D.180X347	OPTIONAL
11		2	NOTE COMMENT	SCREW M5X25
12	1464152000	2	REDUCTION GEARMOTOR 60W 24V	FROM SN.092816281
13		2	NOTE COMMENT	WASHER SPLIT
14	146 2970 000	2	CABLE.SIDE BROOM	
15		3	NOTE COMMENT	NUT M6
16		4	NOTE COMMENT	SCREW M6X20
17		6	NOTE COMMENT	WASHER SPLIT
18		8	NOTE COMMENT	WASHER FLAT M6X18
19		1	NOTE COMMENT	SCREW M6X35
20		6	NOTE COMMENT	SCREW M6X16
21		2	NOTE COMMENT	KEY
22	146 0519 000	2	HUB SIDE BROOM	
23	146 0558 000	2	ARM SIDE BROOM	
24	146 2971 000	1	BRACKET. SIDE BROOM	
25	146 1894 000	2	ARM. SIDE BROOM	

Steering System - before SN 062211241

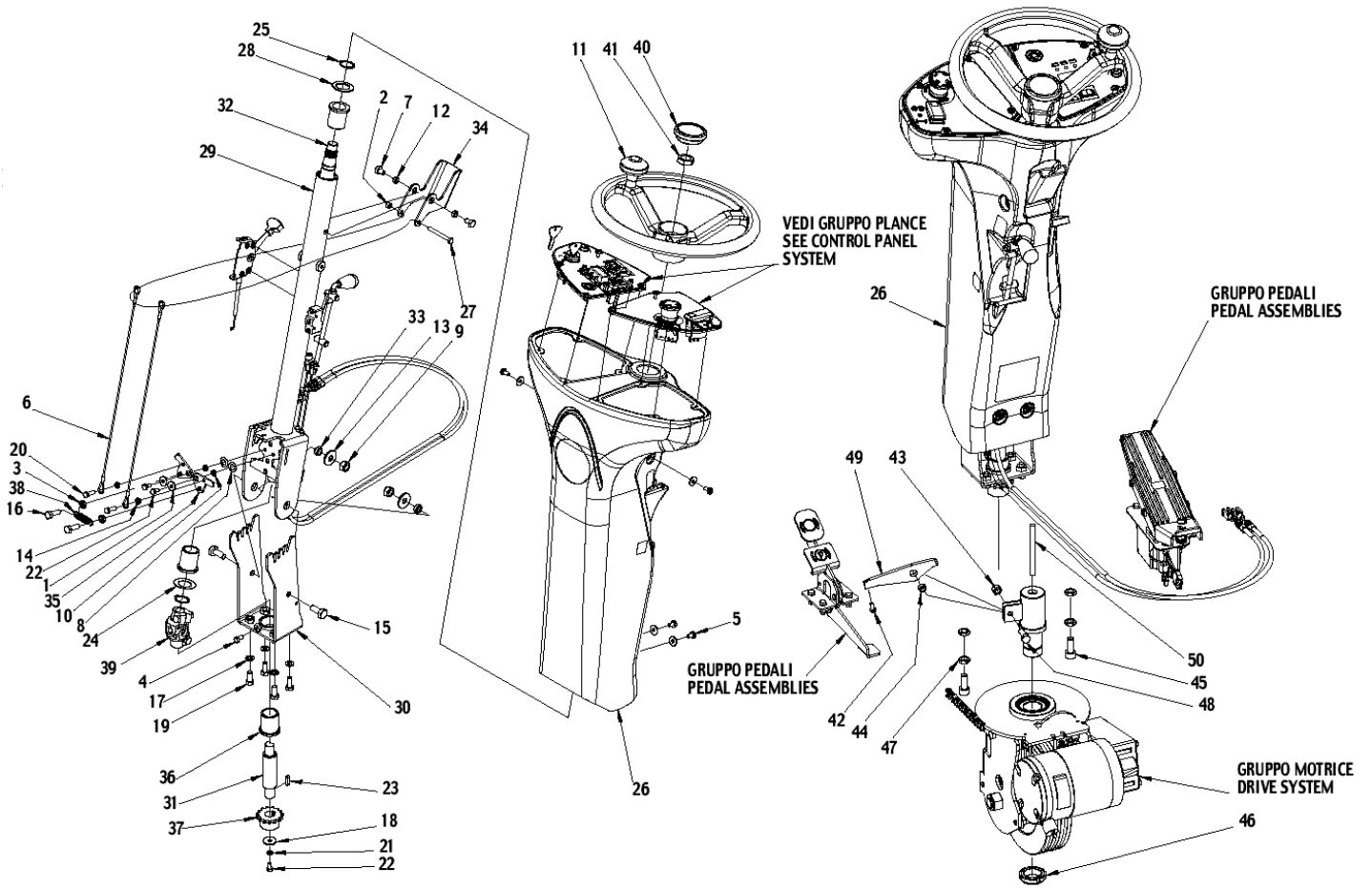
SR 1000S B

22-12-2013

Part List ID

F39115

15



Steering System - before SN 062211241

SR 1000S B

22-12-2013

Part List ID

F-39115

16

Pos	Part no.	Qty	Description
0	146 2227 000	1	HARDWARE STEERING KIT SR 1000S
1		6	NOTE COMMENT WASHER M6X18
2		1	NOTE COMMENT NUT SELF LOCKING M6
3		2	NOTE COMMENT NUT M8
4		1	NOTE COMMENT SCREW M6X16
5		4	NOTE COMMENT SCREW M6X12
6	L08812362	2	CABLE
7		2	NOTE COMMENT SCREW M8X12
8		2	NOTE COMMENT SPRING
9		2	NOTE COMMENT NUT SELFLOCKING M10
10		2	NOTE COMMENT SPACER
11	146 2106 000	1	WHEEL. STEERING D.320
12		2	NOTE COMMENT SPACER
13		2	NOTE COMMENT WASHER M10X30
14		2	NOTE COMMENT NUT M6
15		2	NOTE COMMENT SCREW M10X25
16		2	NOTE COMMENT SCREW M8X25
17	146 1886 000	1	PIN
18		1	NOTE COMMENT WASHER M6X24
19		4	NOTE COMMENT SCREW M8X16
20		2	NOTE COMMENT SCREW M6X20
21		1	NOTE COMMENT WASHER
22		3	NOTE COMMENT SCREW M6X12
23		1	NOTE COMMENT KEY
24	145 9875 000	1	BELLEVILLE WASHER 25.5X41.6X0.7 DIN2093
25		2	NOTE COMMENT RETAINING RING
26	146 1686 000	1	COVER ROTOMOLDED FRONT
27		1	NOTE COMMENT SCREW M6X55
28		1	NOTE COMMENT SPACER
29	146 1906 000	1	steering column
30	146 1907 000	1	SUPPORT. STEERING COLUMN
31	146 1908 000	1	SHAFT.PINION STEERING
32	146 1909 000	1	SHAFT.STEERING
33		2	NOTE COMMENT SPACER
34	146 1911 000	1	LEVER
35	146 1912 000	2	LEVER
36	146 1913 000	3	BUSH FLANGED
37	145 2601 000	1	pinion z15 3/8
38		1	NOTE COMMENT SPRING
39	145 9619 000	1	JOINT UNIVERSAL D.17
40	145 8753 000	1	CAP
41		1	NOTE COMMENT NUT M8X1,5
42		1	NOTE COMMENT SCREW M5X12 SS

Steering System - before SN 062211241

SR 1000S B

22-12-2013

Part List ID

F-39115

17

Pos	Part no.	Qty	Description
43		1	NOTE COMMENT NUT M8
44		1	NOTE COMMENT SPACER
45		2	NOTE COMMENT SCREW M10X25
46		1	NOTE COMMENT NUT RING SELFLOCKING
47		4	NOTE COMMENT NUT M10
48		1	NOTE COMMENT SCREW M8X25
49	146 1885 000	1	LEVER

Steering System - from SN 062211241

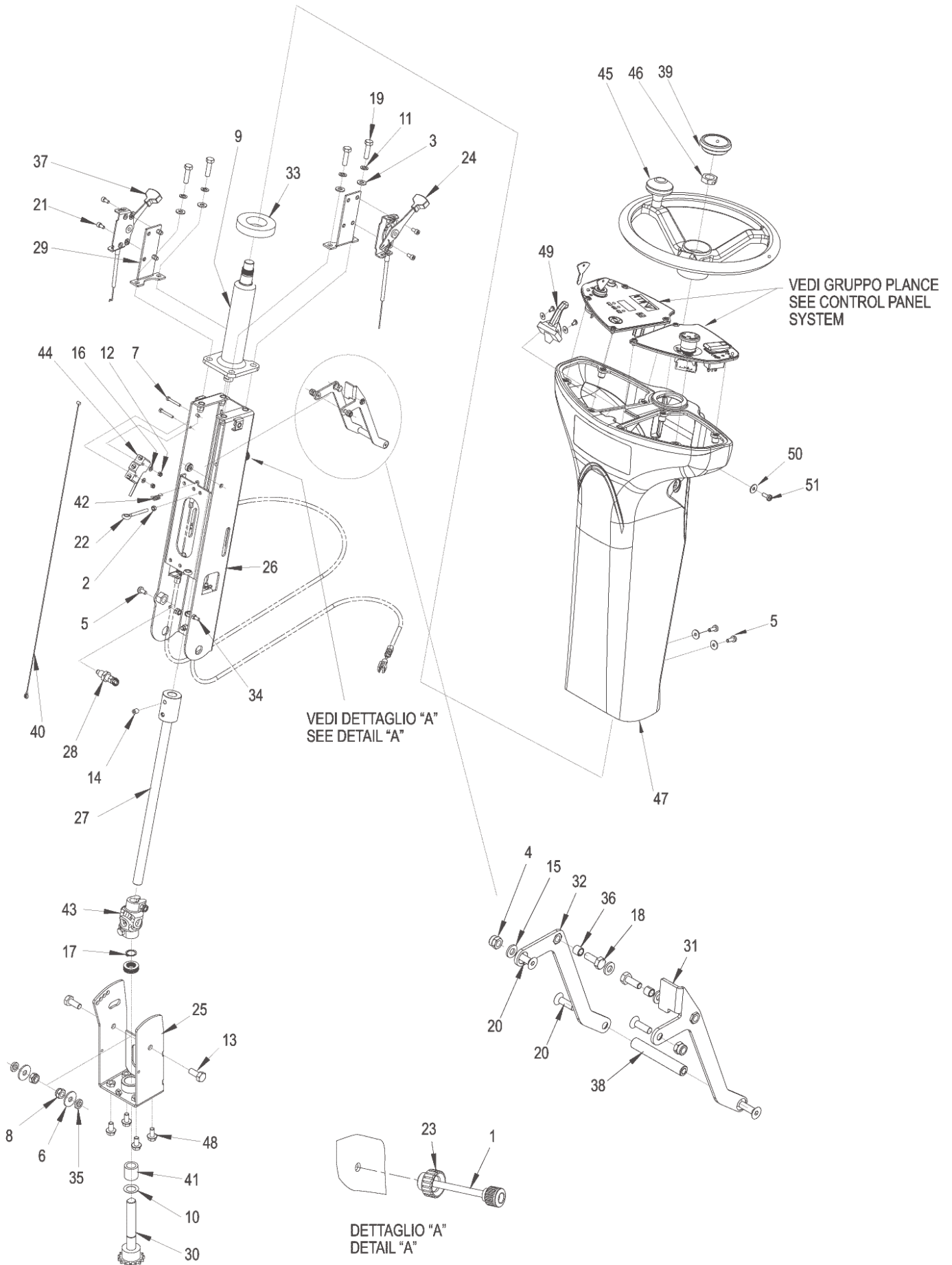
SR 1000S B

22-12-2013

Part List ID

F39117

18



Steering System - from SN 062211241

SR 1000S B

22-12-2013

Part List ID

F-39117

19

Pos	Part no.	Qty	Description
0	1464398000	1	HARDWARE STEERING KIT
1	145 1354 000	1	KNOB M 6x 65
2		4	NOTE COMMENT NUT HEX M5
3		4	NOTE COMMENT WASHER FLAT 8X17
4		3	NOTE COMMENT NUT HEX SELFLOCK. M6
5		5	NOTE COMMENT SCREW M6X12
6		2	NOTE COMMENT WASHER FLAT 10X30
7		2	NOTE COMMENT SCREW HEX HD M4X30
8		2	NOTE COMMENT NUT
9	145 1946 000	1	COLUMN STEERING
10		7	NOTE COMMENT SPRING
11		4	NOTE COMMENT WASHER SPLIT 8
12		2	NOTE COMMENT NUT
13		2	NOTE COMMENT SCREW
14		1	NOTE COMMENT SCR, SOC SET
15		3	NOTE COMMENT WASHER FLAT 6X12,5
16		2	NOTE COMMENT WASHER FLAT 4X9
17	33006056	1	RING D 17 UNI7435
18		2	NOTE COMMENT SCREW HEX. HD M6X16
19		4	NOTE COMMENT SCREW HEX HD M8X25
20		4	NOTE COMMENT SCREW M6X20
21		4	NOTE COMMENT SCREW M5X10
22	146 2450 000	1	ROD TENSION
23	146 2471 000	1	HANDWHEEL
24	146 2939 000	1	LEVER EMERGENCY BRAKE
25	146 2945 000	1	SUPPORT STEERING COLUMN
26	146 2947 000	1	STEERING COLUMN
27	146 2948 000	1	SHAFT STEERING KIT
28	146 2950 000	1	PLUNGER INDEXING
29	146 2951 000	2	SUPPORT VACUUM CABLE
30	146 2953 000	1	SHAFT STEERING W/ PINION
31	146 2954 000	1	LEVER.LEFT SIDE BROOM
32	146 2955 000	1	LEVER.LEFT SIDE BROOM
33	146 2956 000	1	GASKET
34	146 2957 000	2	ROD TENSION M 5X25
35		2	NOTE COMMENT SPACER
36	146 2959 000	2	BUSHING PAP 6X 8X 7
37	146 2960 000	1	CABLE.VACUUM CONTROL
38	146 2961 000	1	HANDLE. SIDE BRUSHES
39	145 8753 000	1	CAP
40	146 2974 000	1	CABLE.STEERING
41	145 9505 000	1	BUSHING BBB 17x25x25
42	145 9290 000	1	SPRING

Steering System - from SN 062211241

SR 1000S B

22-12-2013

Part List ID

F-39117

20

Pos	Part no.	Qty	Description
43	145 9619 000	1	JOINT UNIVERSAL D.17
44	145 9679 000	1	MICROSWITCH 10A 250V
45	146 2106 000	1	WHEEL. STEERING D.320
46		1	NOTE COMMENT NUT HEX LOW M18X1.5
47	146 2906 000	1	COVER ROTOMOLDED FRONT
48	146 2316 000	4	SCREW M8X16 DIN6921
49	146 2458 000	1	LEVER
50		4	NOTE COMMENT WASHER FLAT 6X18
51		4	NOTE COMMENT SCR, PAN PHIL M6X16

Drive system - before SN 062211241

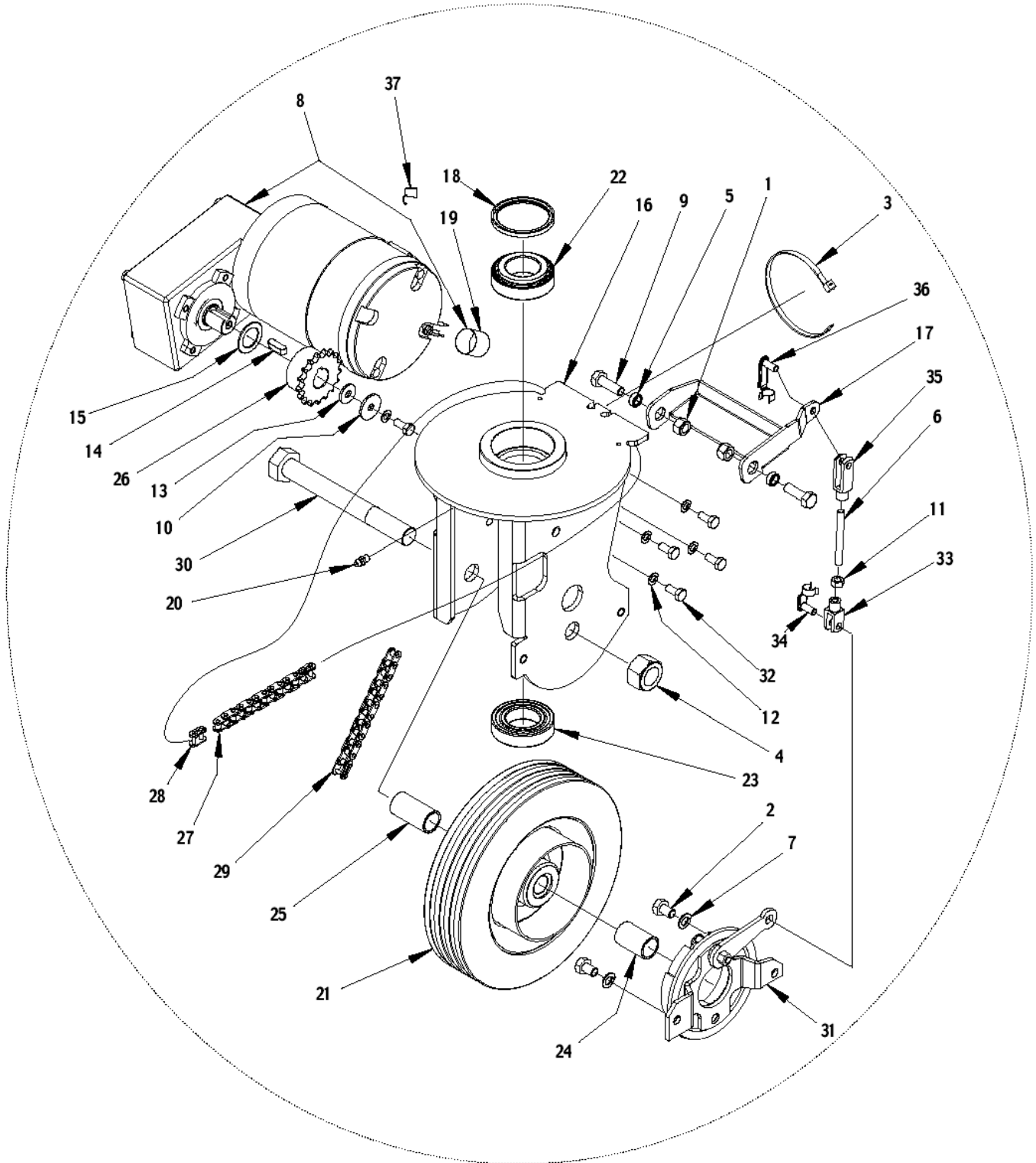
SR 1000S B

22-12-2013

Part List ID

F39119

21



Drive system - before SN 062211241

SR 1000S B

22-12-2013

Part List ID

F-39119

22

Pos	Part no.	Qty	Description
0	146 2229 000	1	HARDWARE DRIVE KIT SR 1000S
1		2	NOTE COMMENT NUT SELFLOCKING M8
2		2	NOTE COMMENT SCREW M8X12
3	909 5896 000	1	CLAMP HOSE D.12
4		1	NOTE COMMENT NUT SELFLOCKING M18
5		2	NOTE COMMENT SPACER
6	145 2529 000	1	TENSION ROD M 6x55
7		2	NOTE COMMENT WASHERSPLIT M8
8	146 2166 000	1	REDUCTION GEARMOTOR CPL CON/SHEATH
9		2	NOTE COMMENT SCREW M8X25
10		1	NOTE COMMENT WASHER FLAT M6X24
11		1	NOTE COMMENT NUT M6
12		5	NOTE COMMENT WASHER SPLIT 6
13		1	NOTE COMMENT WASHER FLAT 6X18
14		1	NOTE COMMENT KEY 6X6X20
15		1	NOTE COMMENT SPACER
16	146 1926 000	1	SUPPORT FRONT WHEEL
17	146 1927 000	1	BRACKET
18	146 1928 000	1	GASKET
19	146 1929 000	1	SHEATH
20		1	NOTE COMMENT GREASER NIPPLE M6
22	145 4691 000	1	BEARING TAPER ROLLER 32006
23	145 0225 000	1	BEARING BALL 6006 2RS1
24	145 2574 000	1	SPACER 17X33
25	145 2575 000	1	SPACER 17X41
26	145 0221 000	1	PINION Z17 3/8 7/32
27	145 2713 000	1	CHAIN ROLLER 3/8 - 59 PITCHES
28	145 9604 000	1	LINK 3/8
29	145 0222 000	1	CHAIN ROLLER 3/8 - 35 PITCHES
30	145 2576 000	1	PIN
31	145 8066 000	1	BRAKE FRONT WHEEL
32		6	NOTE COMMENT SCREW M6X14
33	145 4535 000	1	FORK M6
34	145 4536 000	1	CIRCLIP M6
35	145 9409 000	1	FORK M6
36	145 9410 000	1	CIRCLIP M6
37	1464432000	1	CARBON BRUSHES KIT 4 PCS
38		1	NOTE COMMENT NUT HEX. SELFLOCK LOW M6
21A	1463184000	1	WHEEL FRONT TSB IT 2007-025

Drive system - from SN 062211241

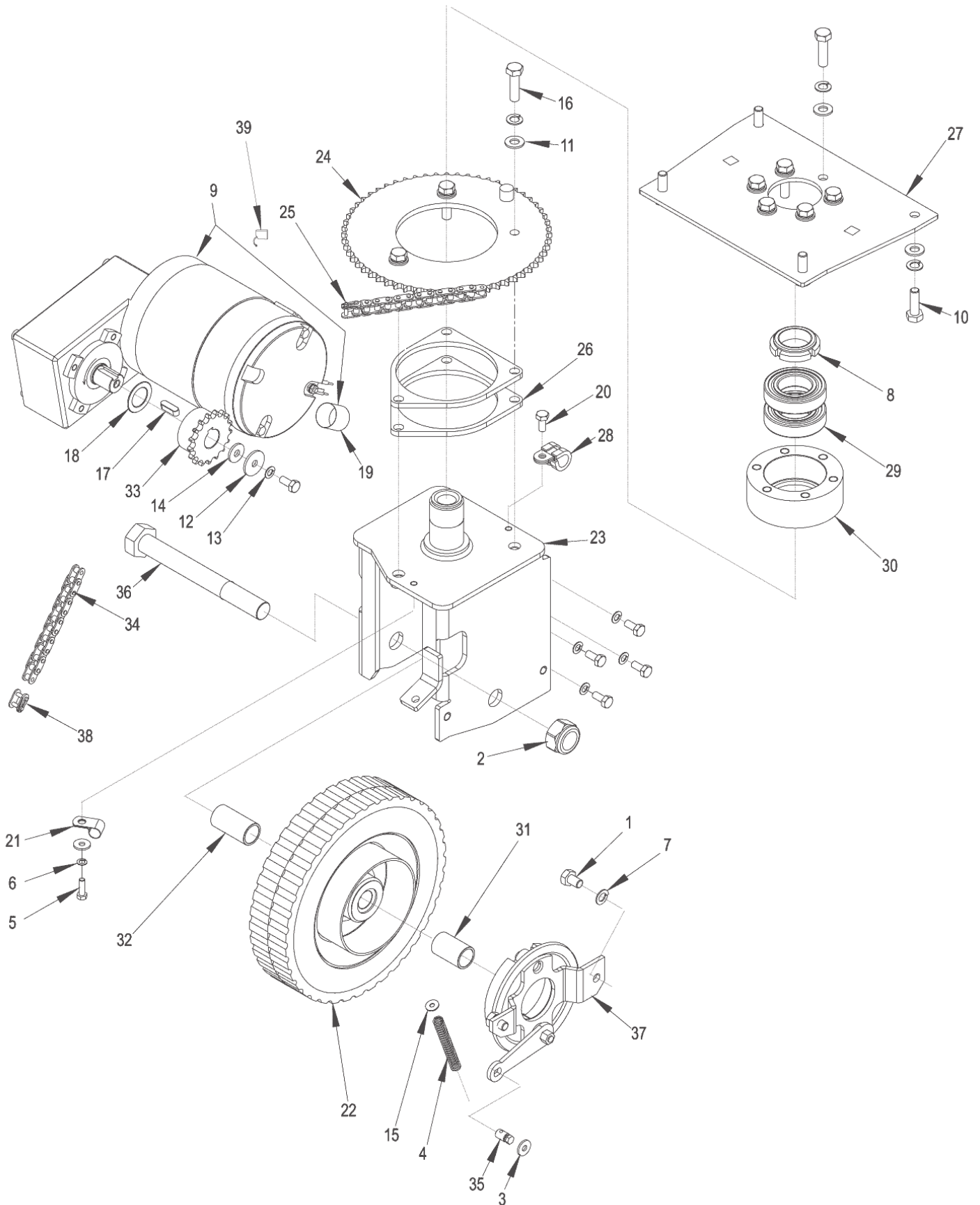
SR 1000S B

22-12-2013

Part List ID

F39121

23



Drive system - from SN 062211241

SR 1000S B

22-12-2013

Part List ID

F-39121

24

Pos	Part no.	Qty	Description
0	1464399000	1	HARDWARE DRIVE KIT
1		2	NOTE COMMENT SCREW M8X12
2		1	NOTE COMMENT NUT SELFLOCKING M18
3		2	NOTE COMMENT WASHER
4	145 1935 000	1	SPRING
5		1	NOTE COMMENT SCREW HEX HD M5X16
6		1	NOTE COMMENT WASHER
7		15	NOTE COMMENT WASHER SPLIT 8
8		1	NOTE COMMENT NUT RING SELFLOCKING
9	146 2166 000	1	REDUCTION GEARMOTOR CPL CON/SHEATH
10		4	NOTE COMMENT SCREW HEX HD M8X25
11		13	NOTE COMMENT WASHER FLAT 8X17
12		1	NOTE COMMENT WASHER FLAT 6X24
13		5	NOTE COMMENT WASHER SPLIT 6
14		1	NOTE COMMENT WASHER FLAT 6X18
15		1	NOTE COMMENT WASHER FLAT 4X12
16		9	NOTE COMMENT SCREW HEX HD M8X30
17		1	NOTE COMMENT KEY
18		1	NOTE COMMENT SPACER
19	146 1929 000	1	SHEATH
20		6	NOTE COMMENT SCREW HEX HD 6X14
21	146 2417 000	1	CLAMP D. 10
22	1463184000	1	WHEEL FRONT TSB IT 2007-025
23	1464456000	1	SUPPORT FRONT WHEEL
24	146 2935 000	1	CROWN STEERING
25	145 1784 000	1	CHAIN ROLLER 3/8 - 68 PITCHES
26	146 2937 000	2	SPACER STEERING CROWN
27	146 2938 000	1	PLATE SUP.. FRONT WHEEL
28	909 5896 000	1	CLAMP HOSE D.12
29	145 0225 000	2	BEARING BALL 6006 2RS1
30	145 2568 000	1	FLANGE
31	145 2574 000	1	SPACER 17X33
32	145 2575 000	1	SPACER 17X41
33	145 0221 000	1	PINION Z17 3/8 7/32
34	145 0222 000	1	CHAIN ROLLER 3/8 - 35 PITCHES
35	145 9366 000	1	CLAMP CABLE D.8
36	145 2576 000	1	PIN
37	145 8066 000	1	BRAKE FRONT WHEEL
38	145 9604 000	1	LINK 3/8
39	1464432000	1	CARBON BRUSHES KIT 4 PCS

Pedal Assemblies - before serial no. 05180736

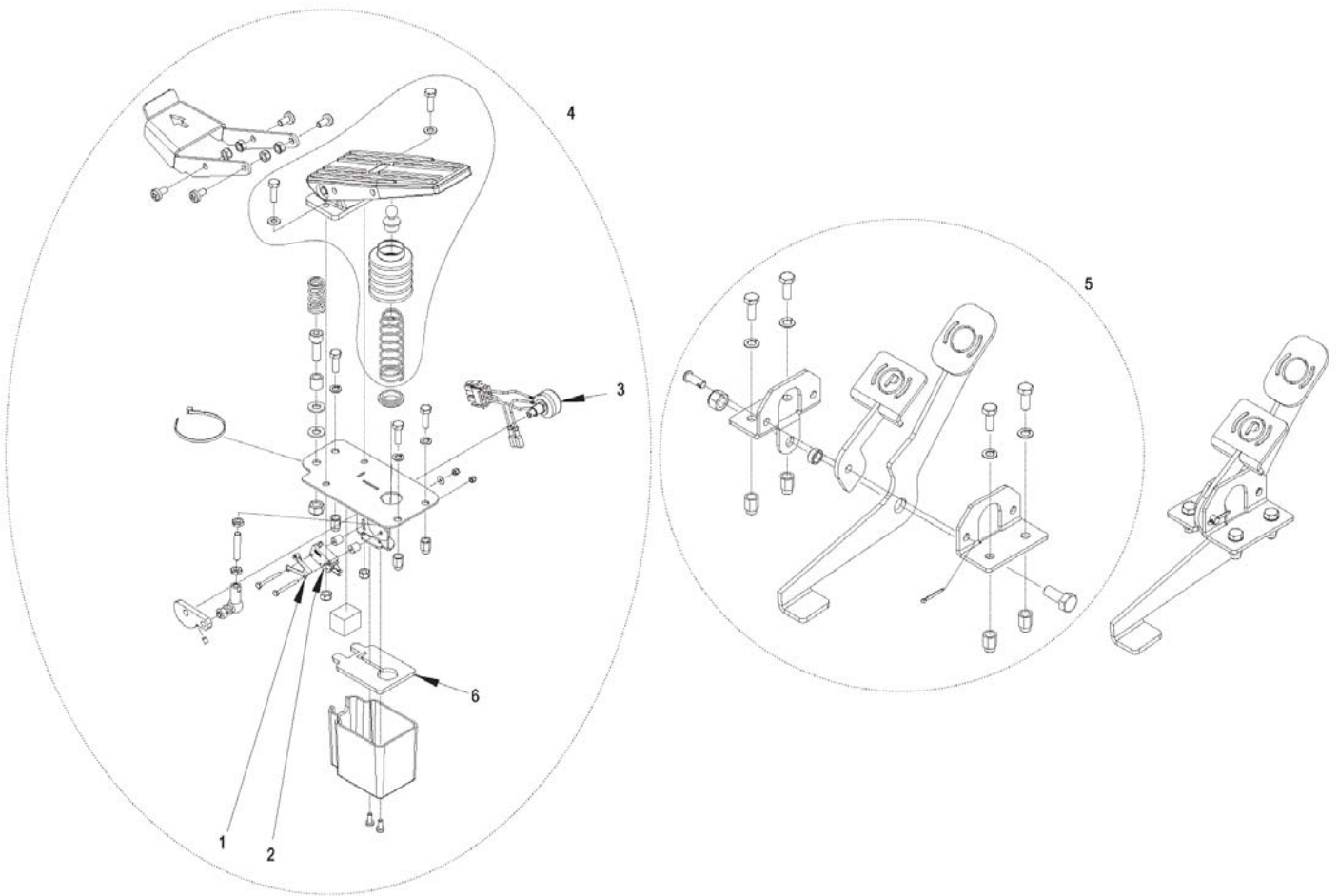
SR 1000S B

22-12-2013

Part List ID

F39123

25



Pedal Assemblies - before serial no. 05180736

SR 1000S B

22-12-2013

Part List ID

F-39123

26

Pos	Part no.	Qty	Description
1	L08812377	1	CONTACT FOR MICROSWITCH
2	L08812580	1	MICROSWITCH 16A 250V
3	146 2480 000	1	HARNESS DRIVE PEDAL
6	146 2315 000	1	GASKET. PEDAL
4A	146 2134 000	1	PEDAL SPEED CONTROL KIT W/ MICRO SWITCH
5B	146 2122 000	1	PEDAL BRAKE KIT

A: before S/N 051807363

B: before S/N 062211241

Pedal Assemblies - after serial no. 05180736

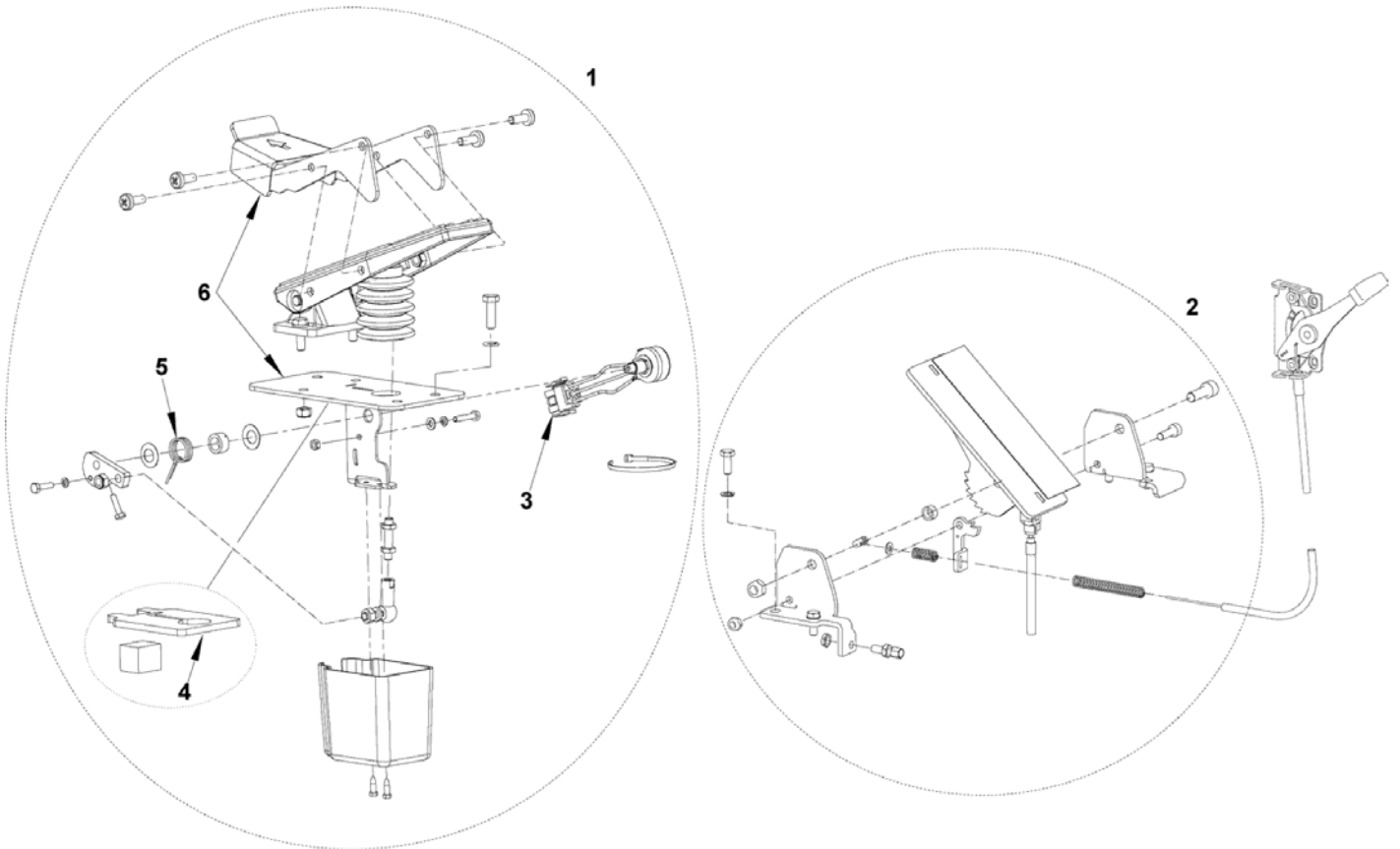
SR 1000S B

22-12-2013

Part List ID

F39125

27



Pedal Assemblies - after serial no. 05180736

SR 1000S B

22-12-2013

Part List ID

F-39125

28

Pos	Part no.	Qty	Description
0	146 2940 000	1	BRAKE CABLE
3	146 2480 000	1	HARNESS DRIVE PEDAL
4	146 2315 000	1	GASKET. PEDAL
5	146 2883 000	1	PEDAL SPRING
6	146 2932 000	1	SUPPORT AND BRACKET KIT
1A	146 2952 000	1	PEDAL SPEED CONTROL KIT
2B	1464401000	1	PEDAL BRAKE KIT

A: starting from S/N 051807363

B: starting from S/N 062211241

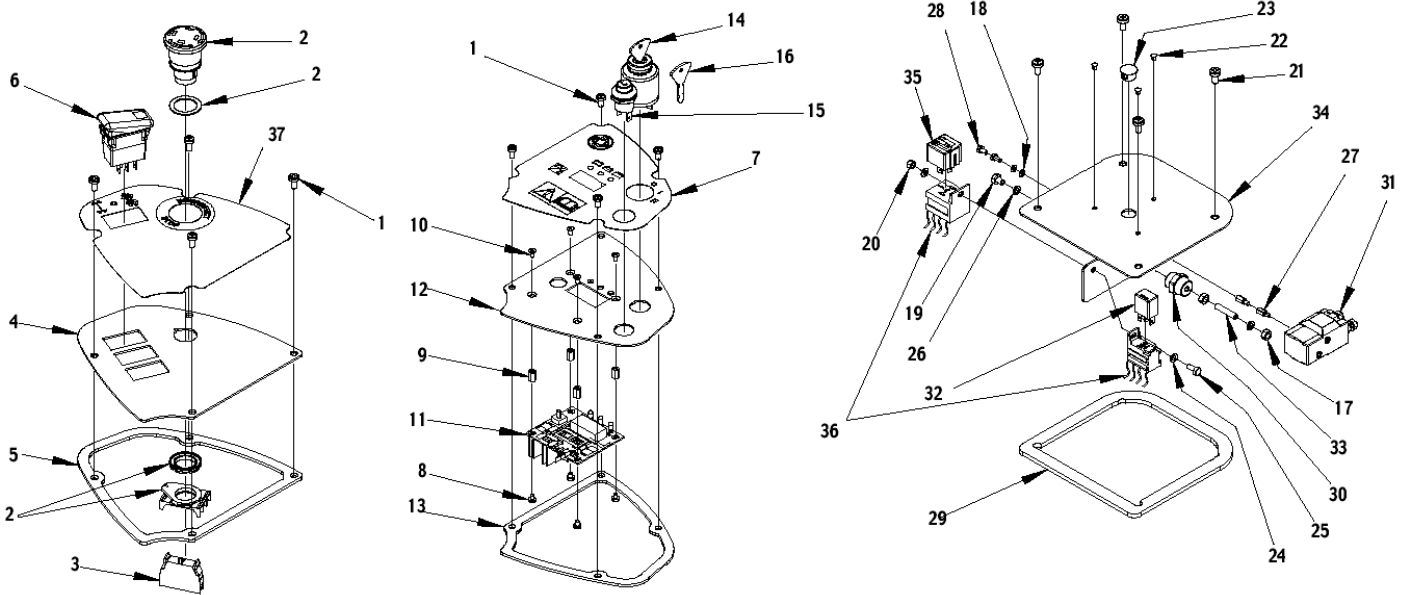
Control Panel System

SR 1000S B

22-12-2013

Part List ID
F39127

29



Control Panel System

SR 1000S B

22-12-2013

Part List ID

F-39127

30

Pos	Part no.	Qty	Description
0	146 1902 000	1	HARNESS CONTROL PANEL
0	1464402000	1	HARDWARE CONTR. PANEL KIT
1		8	NOTE COMMENT SCREW M5X10
2	146 1727 000	1	SWITCH EMERGENCY
3	146 1728 000	1	CONTACT. NC.
4	146 1930 000	1	CONTROL PANEL LEFT
5	146 1932 000	1	GASKET CONTROL PANEL LEFT
6	146 1935 000	1	SWITCH
7	146 1882 000	1	DECAL CONTROL PANEL RIGHTS SR 1000S B
8		4	NOTE COMMENT SCREW M4X5
9		4	NOTE COMMENT SPACER
10		4	NOTE COMMENT SCREW M4X8
11	146 1721 000	1	BOARD ELECTRONIC DISPLAY
12	146 1931 000	1	CONTROL PANEL RIGHT
13	146 1933 000	1	GASKET CONTR. PANEL RIGHT
14	145 9373 000	1	SWITCH KEY STARTER
15	145 9678 000	1	SWITCH HORN
16	146 0073 00	1	KEY
17		2	NOTE COMMENT NUT M6
18		2	NOTE COMMENT WASHER D.4
19		1	NOTE COMMENT SCREW M6X8
20		1	NOTE COMMENT NUT SELFLOCKING M5
21		4	NOTE COMMENT SCREW M6X12
22		3	NOTE COMMENT CAP
23	145 8008 000	1	CAP D.18.2
24		2	NOTE COMMENT WASHER FLAT 5X10
25		1	NOTE COMMENT SCREW M5X12
26		2	NOTE COMMENT WASHER D.6
27		2	NOTE COMMENT SPACER
28		2	NOTE COMMENT SCREW M4X8
29	146 0697 000	1	GASKET ADHESIVE FOR CONTR. PANEL
30	146 0708 000	1	INSULATOR M6 WHITE
31	146 0719 000	1	SWITCH ELECTROMAGNETIC 24V
32	146 1646 000	1	RELAY 24V
33	146 1678 000	1	SCREW GRUB M6X30 UNI5929
34	146 1936 000	1	CONTROL PANEL
35	145 3712 000	1	RELAY 24V
36	146 1903 000	1	HARNESS REAR CONTROL PAN.
37	146 1883 000	1	DECAL CONTROL PANEL LEFT SR 1000S B

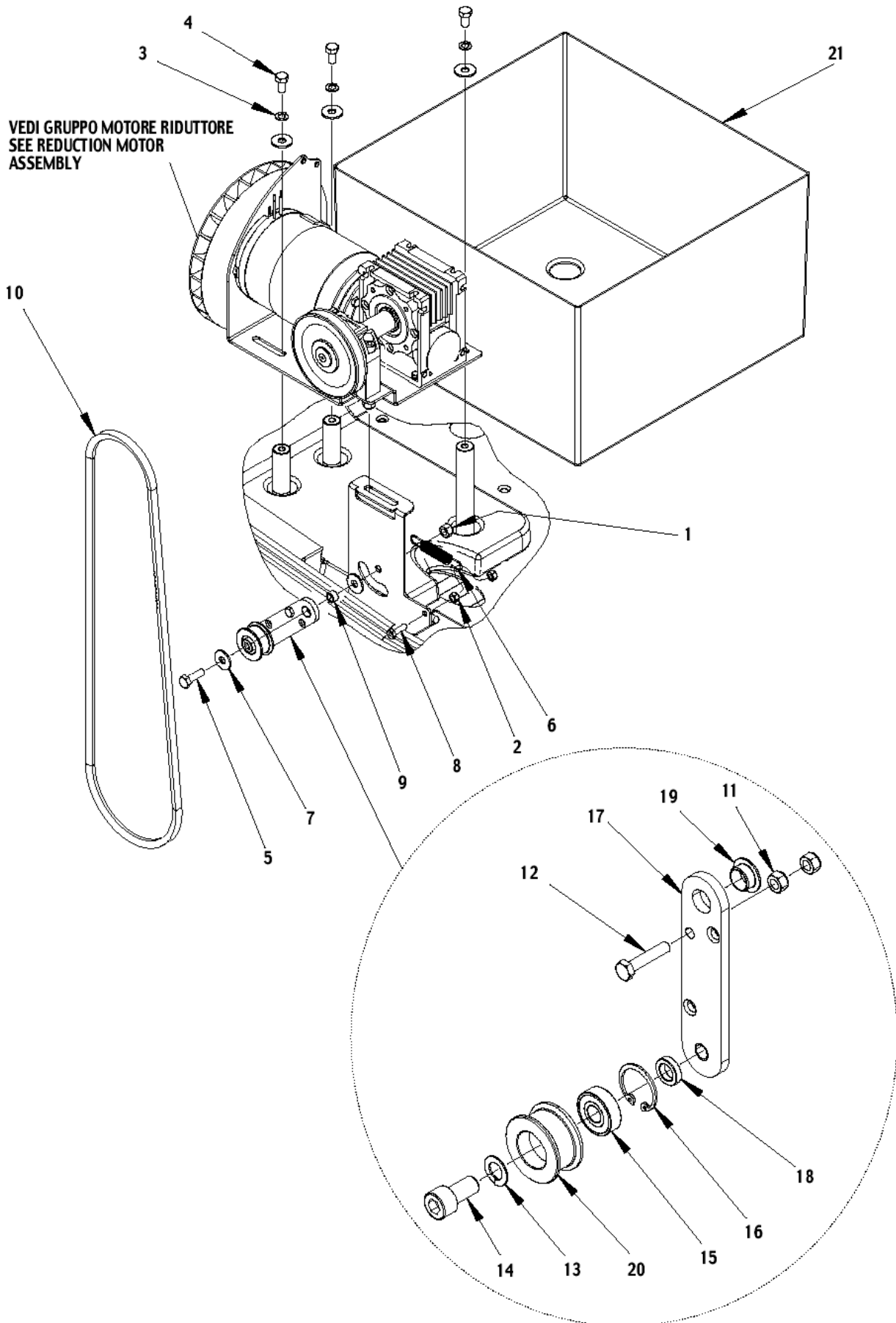
Transmission System

SR 1000S B

22-12-2013

Part List ID
F39129

31



Transmission System

SR 1000S B

22-12-2013

Part List ID

F-39129

32

Pos	Part no.	Qty	Description
0	1464403000	1	HARDWARE TRANSMISSION KIT
1		1	NOTE COMMENT NUT SELFLOCKING M8
2		2	NOTE COMMENT NUT SELFLOCKING M6
3		3	NOTE COMMENT WASHER SPLIT 8
4		3	NOTE COMMENT SCREW M8X16
5		1	NOTE COMMENT SCREW M8X25
6	146 3135 000	1	SPRING
7		5	NOTE COMMENT WASHER FLAT 8X24
8		1	NOTE COMMENT SCREW M6X20
9		1	NOTE COMMENT SPACER
10	146 3137 000	1	BELT TRANSMISSION KIT TSB IT 2007-002 - INST.INSTR.CODE 146 3139 000
11	33003977	2	SCREW M6X30 UNI5739
12		1	NOTE COMMENT SCREW M6X30
13		1	NOTE COMMENT WASHER SPLIT 10
14		1	NOTE COMMENT SCREW M10X20
15		1	NOTE COMMENT BALL BEARING
16		1	NOTE COMMENT RETAINING RING
17		1	NOTE COMMENT BELT TENSIONER ARM
18		1	NOTE COMMENT SPACER
19		1	NOTE COMMENT BEARING WITH FLANGE
20		1	NOTE COMMENT BELT TENSIONER ROLLER
21	146 1684 000	1	CONTAINER BATTERY

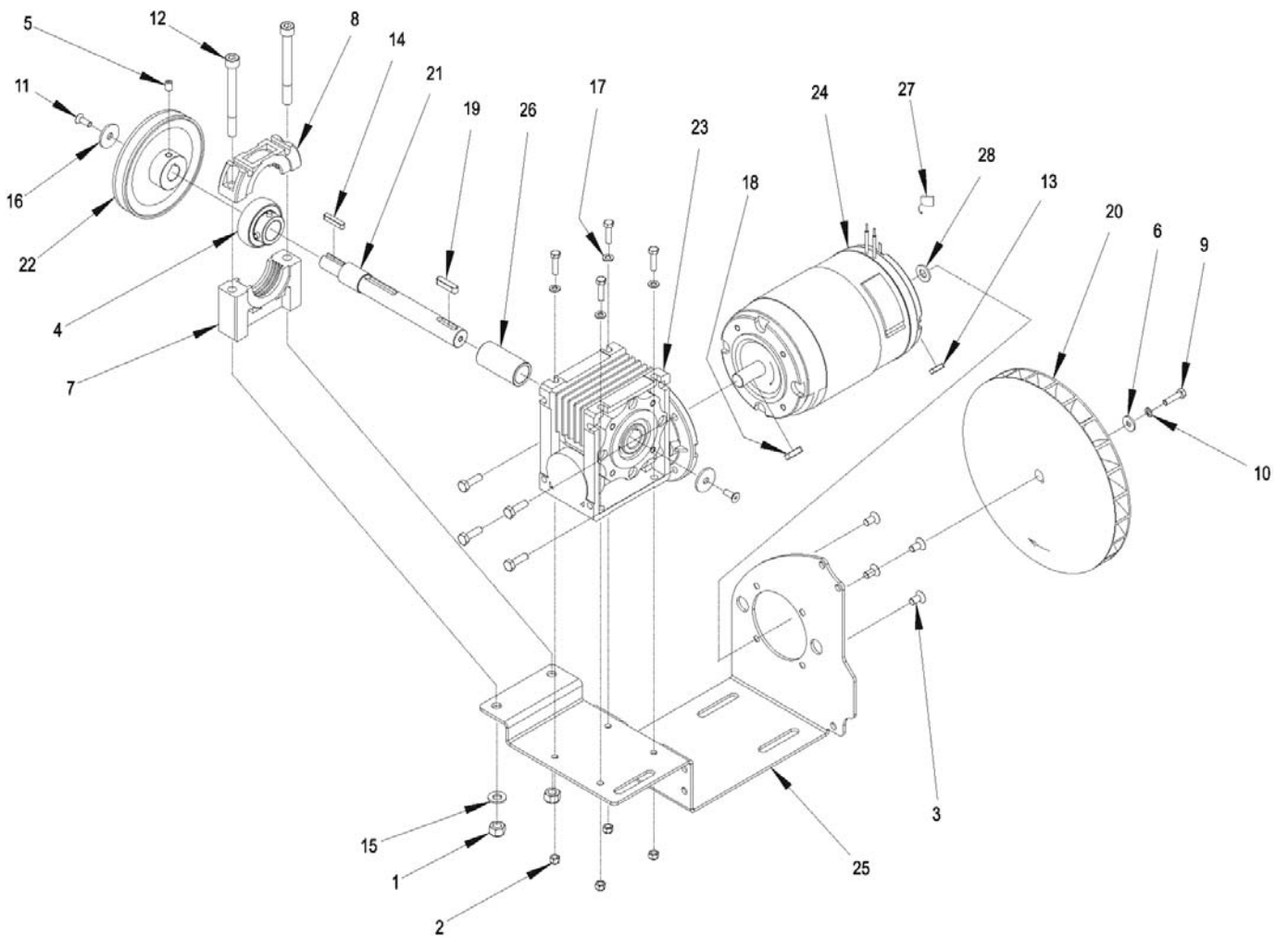
Reduction Motor Assembly

SR 1000S B

22-12-2013

Part List ID
F39131

33



Reduction Motor Assembly

SR 1000S B

22-12-2013

Part List ID

F-39131

34

Pos	Part no.	Qty	Description
0	1464404000	1	HARDWARE REDUCT.MOTOR KIT
1		1	NOTE COMMENT NUT SELFLOCKING M8
2		2	NOTE COMMENT NUT SELFLOCKING M6
3		3	NOTE COMMENT WASHER SPLIT 8
4	145 1123 000	1	BALL BEARING YAT204
4		3	NOTE COMMENT SCREW M8X16
5		1	NOTE COMMENT SCREW M8X25
7	145 1976 000	1	SUPPORT BEARING LOWER
7		5	NOTE COMMENT WASHER FLAT 8X24
8	145 1977 000	1	SUPPORT BEARING UPPER
8		1	NOTE COMMENT SCREW M6X20
9		1	NOTE COMMENT SPACER
12		1	NOTE COMMENT SCREW M6X30
13		1	NOTE COMMENT WASHER SPLIT 10
14		1	NOTE COMMENT SCREW M10X20
15		1	NOTE COMMENT BALL BEARING
16		1	NOTE COMMENT RETAINING RING
17		1	NOTE COMMENT BELT TENSIONER ARM
18		1	NOTE COMMENT SPACER
19		1	NOTE COMMENT BEARING WITH FLANGE
20	146 0537 000	1	FAN
20		1	NOTE COMMENT BELT TENSIONER ROLLER
21	146 0540 000	1	SHAFT TRANSMISSION
22	146 1921 000	1	PULLEY
23	1463249000	1	REDUCTION GEAR COMPLETE 5 1
24	146 1923 000	1	MOTOR ELECTRIC 600W 24V
25	146 1924 000	1	PLATE. SUPPORTING
26	146 1925 000	1	SPACER
27	L08603949	1	CARBON BRUSHES KIT 4 PCS
28	146 2814 000	1	WASHER

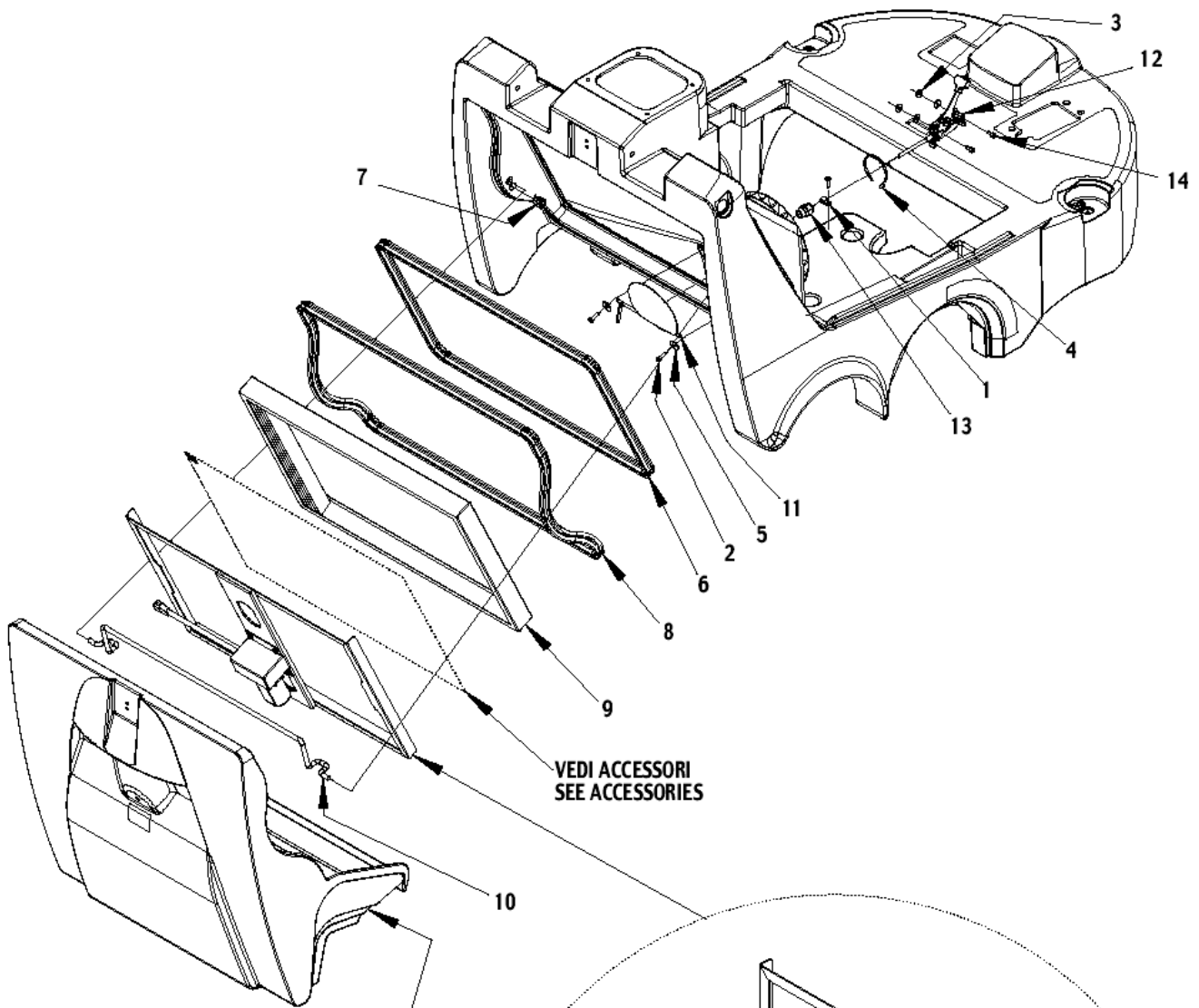
Dust Control System

SR 1000S B

22-12-2013

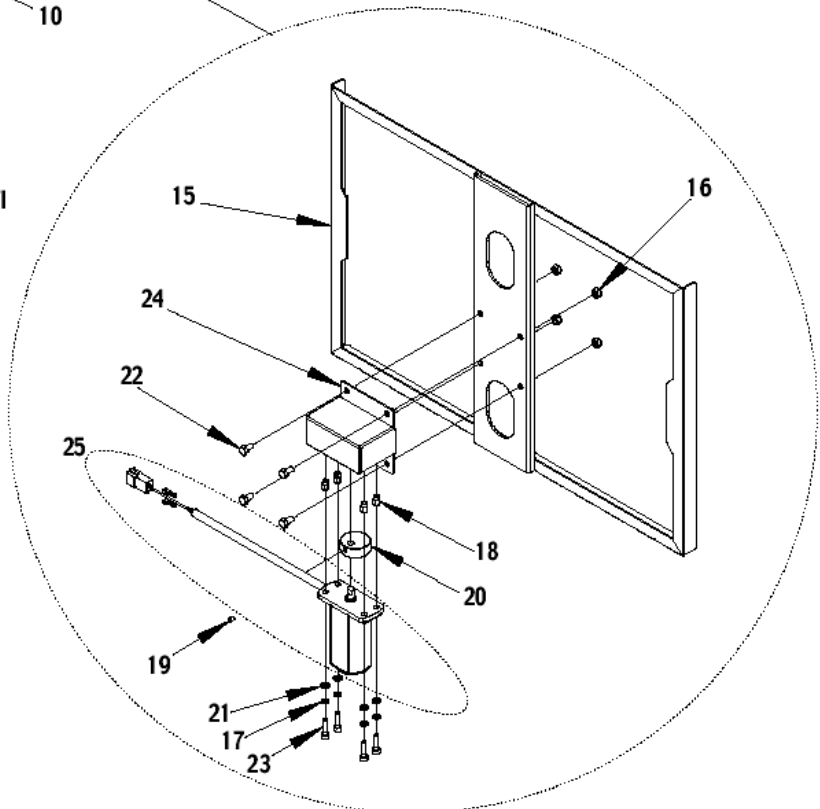
Part List ID
F39133

35



VEDI ACCESSORI
SEE ACCESSORIES

VEDI SISTEMA CASSETTO DI RIFIUTI
SEE HOPPER SYSTEM



Dust Control System

SR 1000S B

22-12-2013

Part List ID

F-39133

36

Pos	Part no.	Qty	Description
0	146 1893 000	1	PRE-FILTER
0	1464405000	1	HARDWARE DUST CONTROL KIT
1		1	NOTE COMMENT CLAMP GREY
2		3	NOTE COMMENT SCREW M4.6X19.2
3		4	NOTE COMMENT WASHER FLAT 5X15
4		1	NOTE COMMENT CLAMP
5		2	NOTE COMMENT WASHER FLAT 5X20
6	146 0630 000	1	GASKET BULB RUBBER L.1800MM
7	146 0661 000	1	GROMMET
8	146 0741 000	1	GASKET BULB RUBBER L.2030MM
9	146 1888 000	1	FILTER PAPER
9	146 1988 000	1	FILTER POLYESTER
9	146 1989 000	1	FILTER POLYESTER ANTIST.
10	146 1889 000	1	CLAMP FILTER
11	146 1890 000	1	VALVE. THROTTLE
12	146 1891 000	1	CABLE
13	146 1892 000	1	CLAMP CABLE
14	146 2127 000	2	SCREW M5X10 UNI5931
14		2	NOTE COMMENT SCREW M5X10
15	146 1947 000	1	FRAME FOR PANEL FILTER
16		4	NOTE COMMENT NUT SELFLOCKING M6
17		4	NOTE COMMENT WASHER SPLIT 5
18		4	NOTE COMMENT INSERT HEX. 5
19		1	NOTE COMMENT DOWEL
20	145 8376 000	1	CAM
21		4	NOTE COMMENT WASHER FLAT M5X10
22		4	NOTE COMMENT SCREW M6X12
23		4	NOTE COMMENT SCREW M5X20
24	146 0577 000	1	BRACKET. FILTER SHAKER
25	146 2130 000	1	MOTOR FILTER SHAKER CPL.W TERMINAL / CO

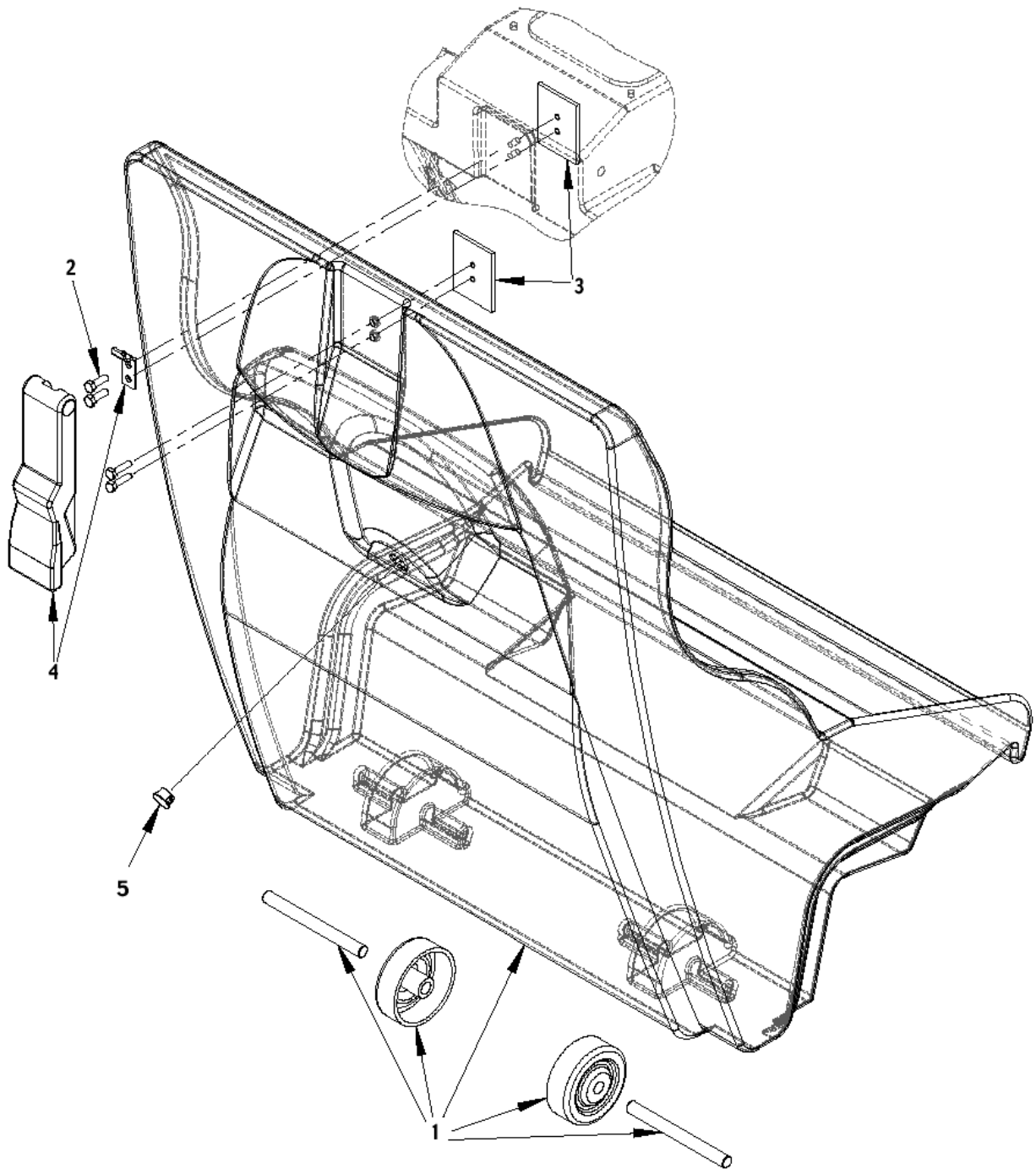
Hopper System

SR 1000S B

22-12-2013

Part List ID
F39135

37



Hopper System

SR 1000S B

22-12-2013

Part List ID F-39135

38

Pos	Part no.	Qty	Description
1	146 0740 000	1	CONTAINER WASTE ROTOMOLDED
2	33003963	4	SCREW M5X20 UNI5739
3	146 0562 000	2	PLATE
4	146 0520 000	1	HOOK RUBBER
5	145 4259 000	1	CAP. BLACK D.11.9

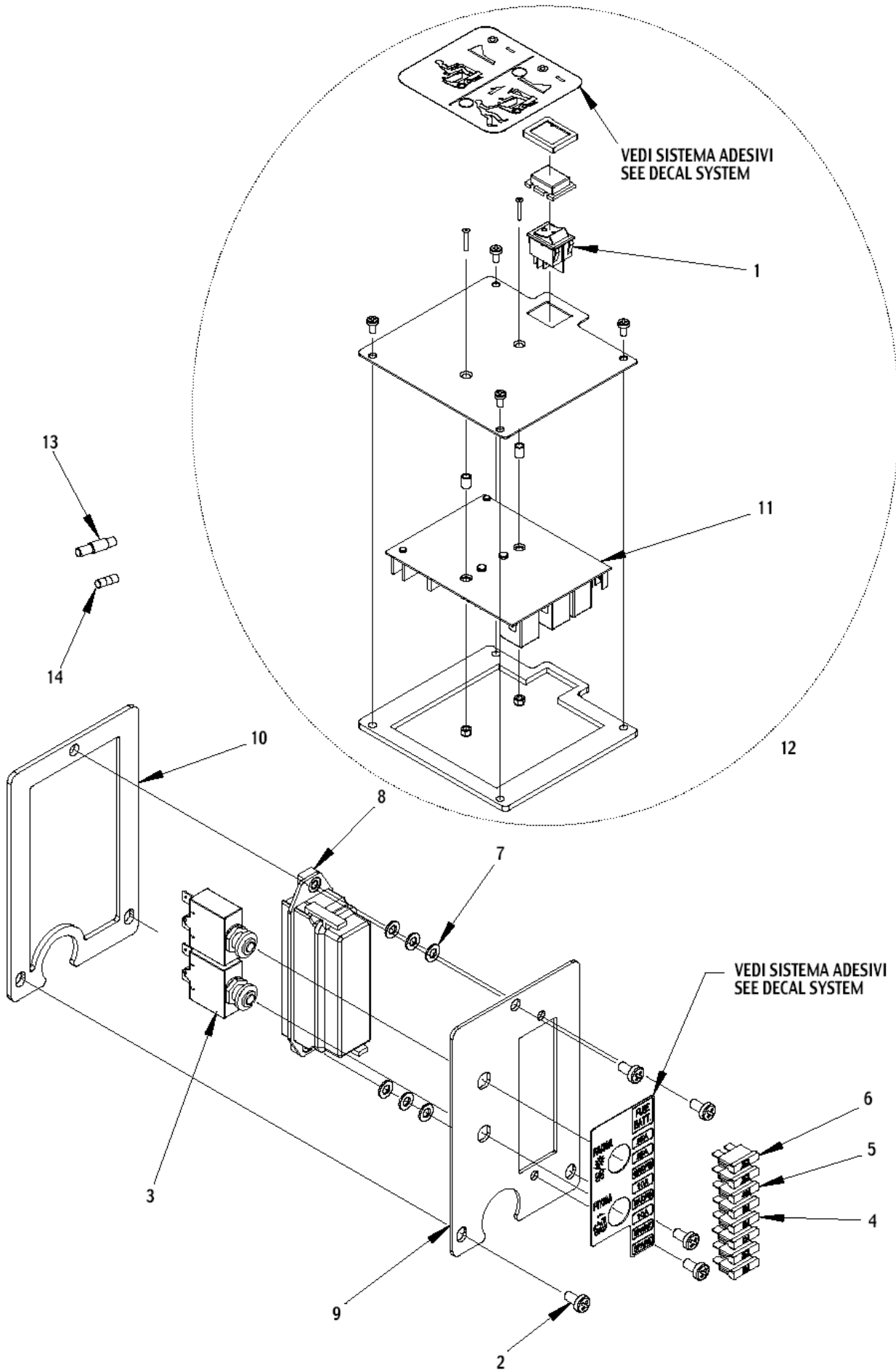
Electrical Components

SR 1000S B

22-12-2013

Part List ID
F39137

39



Electrical Components

SR 1000S B

22-12-2013

Part List ID

F-39137

40

Pos	Part no.	Qty	Description	
1	909 5668 000	1	SWITCH COMPLETE	
2	L08603041	4	SCREW M5X10 UNI7985 SELFLOCKING	
3	909 5706 000	2	BREAKER CIRCUIT 30A	
4	146 0068 00	3	FUSE 10A	
5	145 0227 000	1	FUSE BLADE 40A	
6	145 8514 000	2	FUSE 25A	
7	33005912	6	WASHER M5 UNI6592	
8	146 1170 000	1	HOLDER FUSE 8 WAYS	
9	146 1952 000	1	PANEL. ELECTR.COMPONENTS	
0A	1463241000	1	HARNESS SEAT MICRO KIT	INSTAL.INSTR. 1463243000
10	146 1953 000	1	GASKET	
11	146 2880 000	1	CARD.ELECTRONIC DRIVE	
12	146 2135 000	1	CARD ELECTRONIC DRIVE KITSR 1000S	
13	146 2243 000	1	HOLDER FUSE	
15	146 1986 000	1	CONNECTOR 120A	

Decals

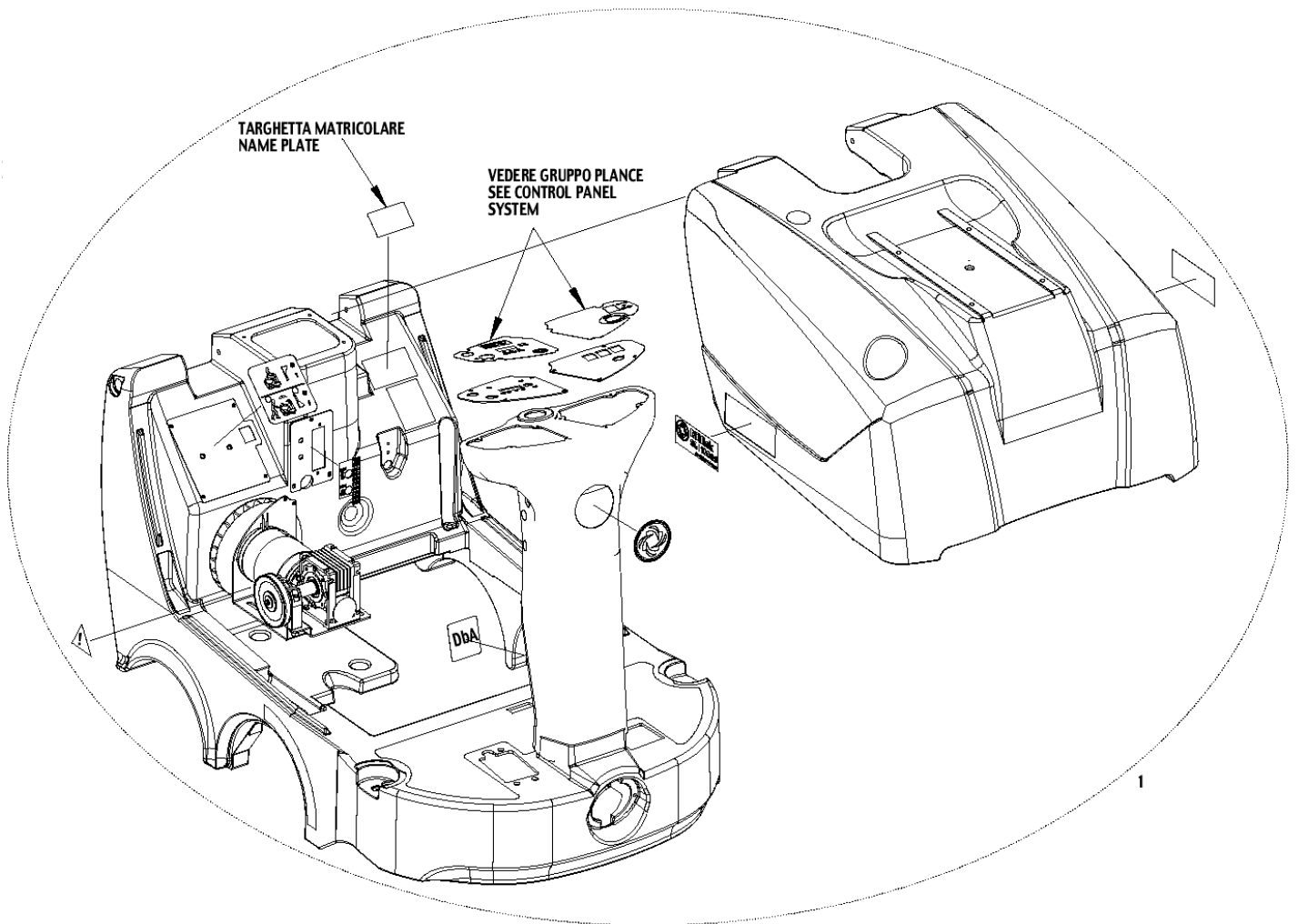
SR 1000S B

22-12-2013

Part List ID

F39139

41



Decals

SR 1000S B

22-12-2013

Part List ID F-39139

42

Pos	Part no.	Qty	Description
1	1463742000	1	DECALS KIT SR1000S B

Accessories 1

SR 1000S B

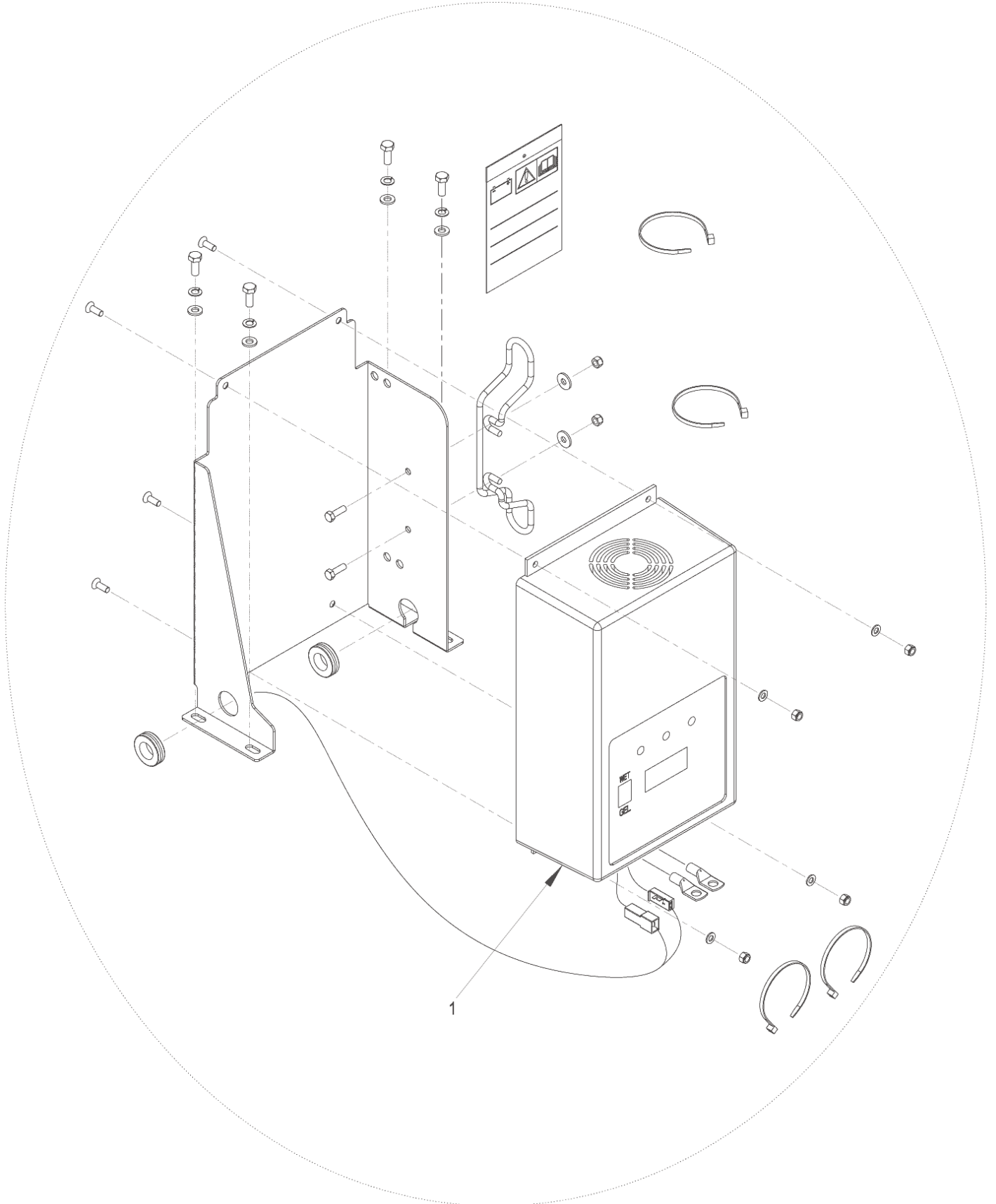
22-12-2013

Part List ID

F39141

43

KIT CARICA BATTERIA /BATTERY CHARGER KIT



Accessories 1

SR 1000S B

22-12-2013

Part List ID

F-39141

44

Pos	Part no.	Qty	Description
0	145 1726 000	1	FUSE 10A
0	146 0801 000	1	SWITCH WET/GEL
0	146 2052 000	1	CHARGER BATT.ON BOARD KIT 24V-25A EU optional
0	146 2139 000	1	CARD ELECT.BAT.CHARGER
0	146 2142 000	1	FAN COOLING
0	146 2143 000	1	CARD.DISPLAY
0	146 2144 000	1	CABLE
1	146 2131 000	1	CHARGER BATTERY 230V CPL.

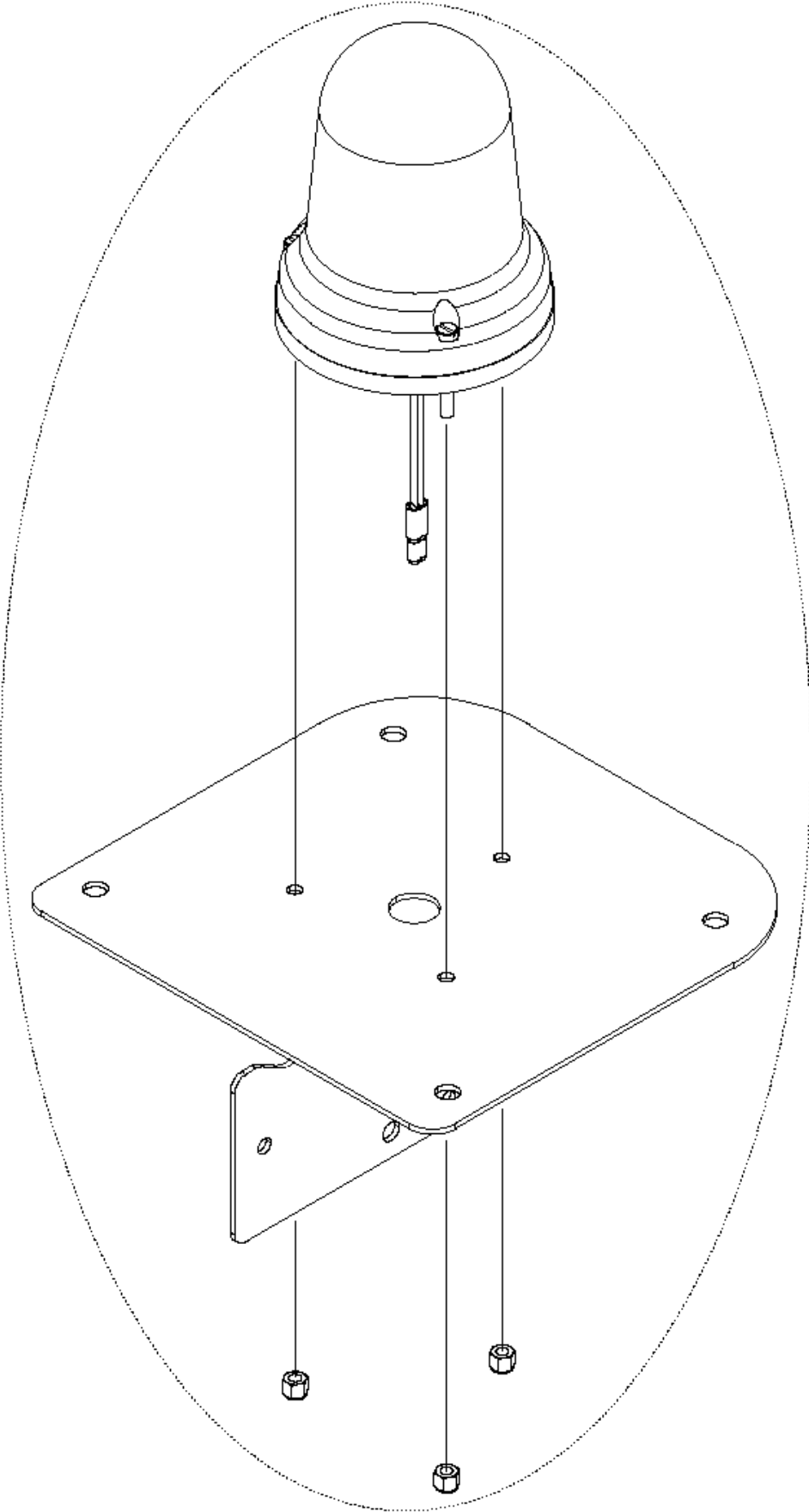
Accessories 2

SR 1000S B

22-12-2013

Part List ID F39143

45



Accessories 2

SR 1000S B

22-12-2013

Part List ID F-39143

46

Pos	Part no.	Qty	Description
0	146 2051 000	1	BEACON FLASH.ON SUP.KIT

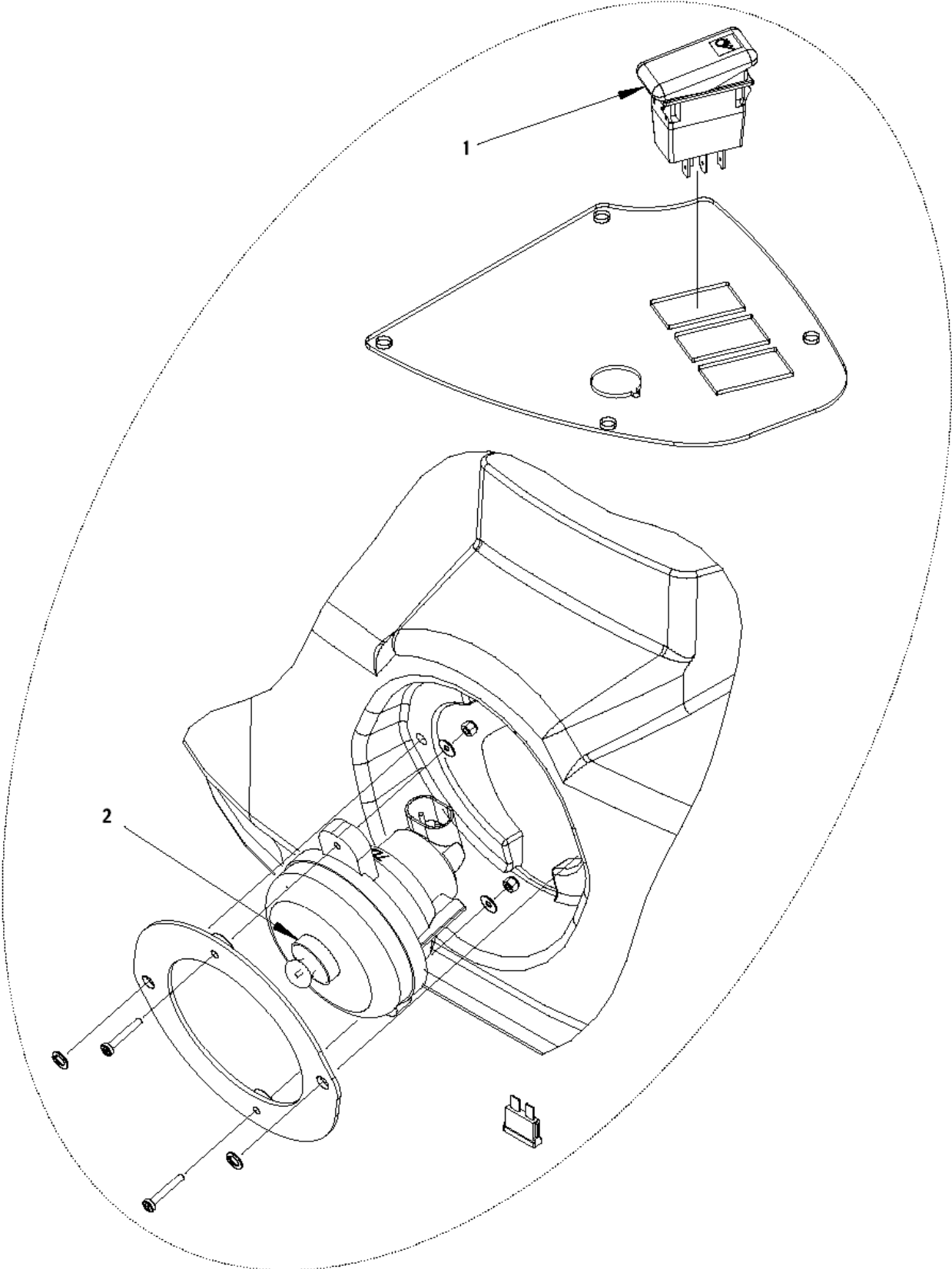
Accessories 3

SR 1000S B

22-12-2013

Part List ID F39145

47



Accessories 3

SR 1000S B

22-12-2013

Part List ID F-39145

48

Pos	Part no.	Qty	Description
	146 2663 000	1	LIGHT WORKING KIT
1	146 1974 000	1	SWITCH
2	145 5518 000	1	LAMP 24V 21W

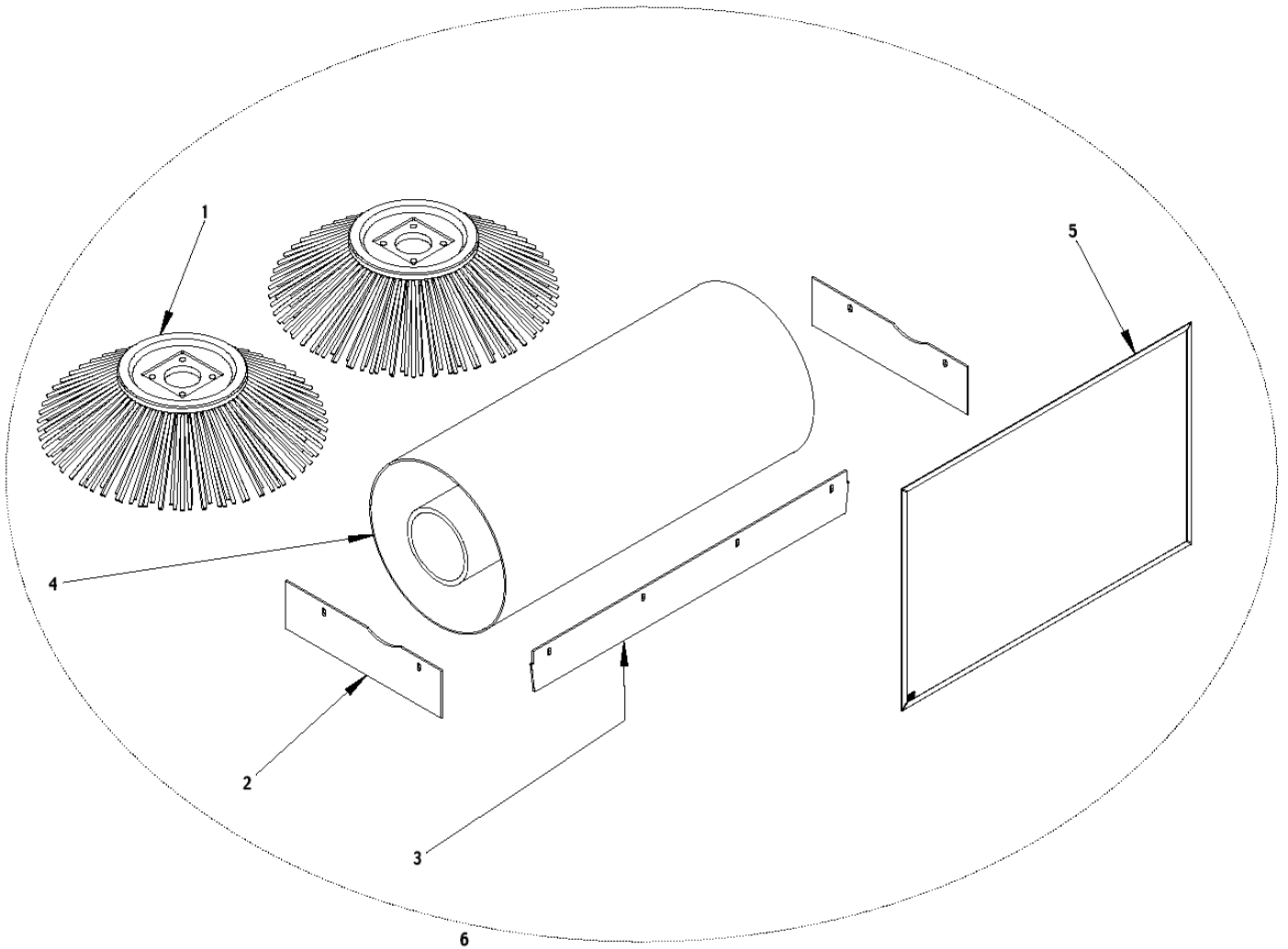
Accessories 4

SR 1000S B

22-12-2013

Part List ID F39147

49



Accessories 4

SR 1000S B

22-12-2013

Part List ID F-39147

50

Pos	Part no.	Qty	Description
1	145 4976 000	2	BROOM SIDE 180X420 NATURAL FIBRE
2	146 0587 000	2	SKIRT SIDE NON MARKING
3	146 0743 000	1	SKIRT REAR NON MARKING
4	146 0753 000	1	BROOM MAIN D.245X600 NATURAL FIBRE
5	146 1893 000	1	PRE-FILTER
6	146 2102 000	1	CARPET KIT

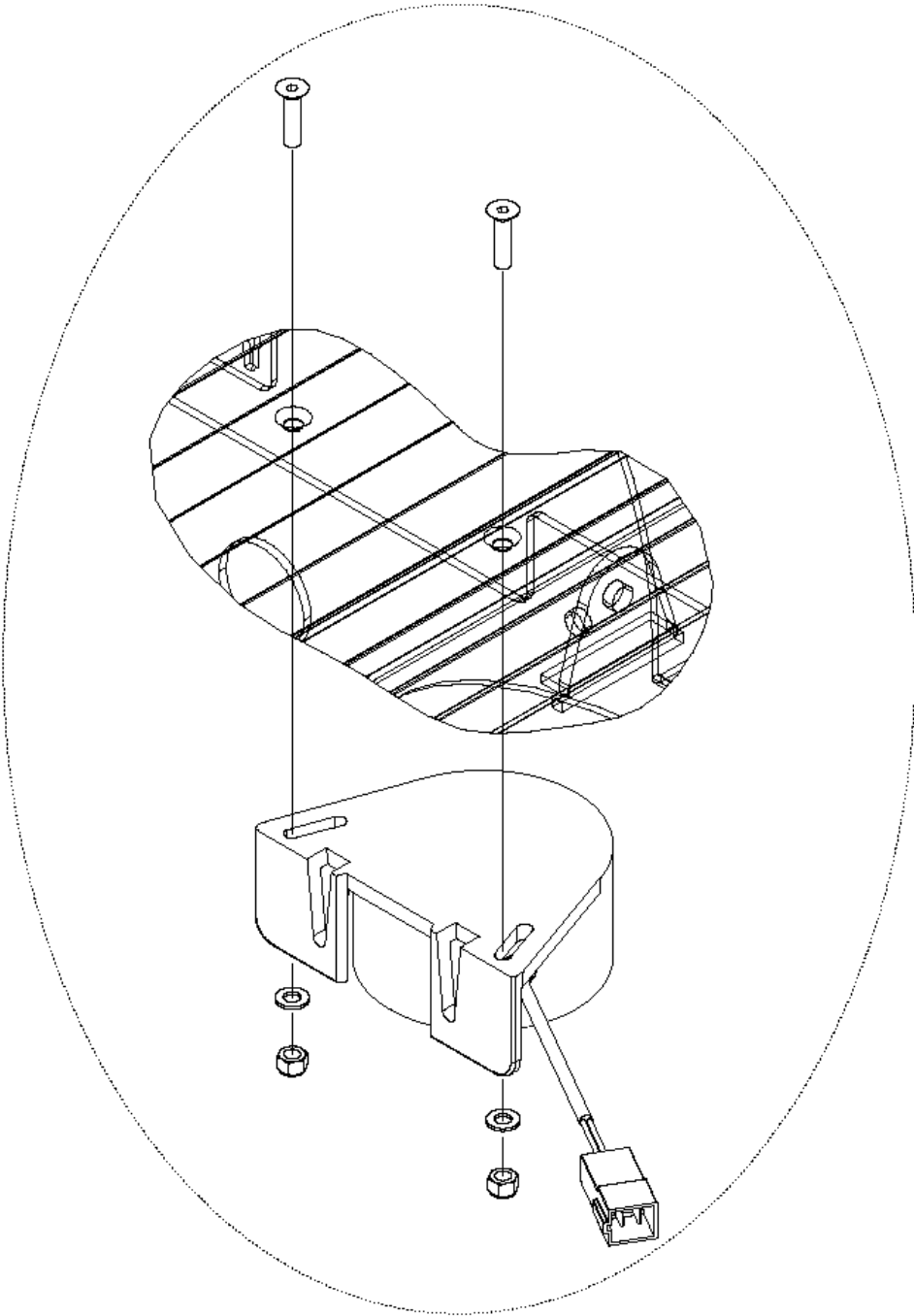
Accessories 5

SR 1000S B

22-12-2013

Part List ID F39149

51



Accessories 5

SR 1000S B

22-12-2013

Part List ID F-39149

52

Pos	Part no.	Qty	Description
0	146 2661 000	1	ALARM BACK UP KIT

Recommended spare parts 1

SR 1000S B

22-12-2013

Part List ID
F39152

53

Pos Item Bild Rép	Codice Ref. No. Art. Nr. Réf. No	Q.tà Qty Menge Qté	Descrizione	Description
			MATERIALE DI USURA	WEAR PARTS
1	146 1888 000	1	FILTRO IN CARTA	PAPER FILTER
2	146 0738 000	1	FLAP POST./ANT. STD (SBR - GOMMA NERA)	SKIRT REAR/FRONT PLATE STD (SBR - BLACK RUBBER)
3	146 0756 000	1	FLAP ANTERIORE MORBIDO STD	SOFT FRONT SKIRT STD
4	146 0555 000	2	FLAP LATERALE STD (SBR - GOMMA NERA)	SKIRT SIDE STD (SBR - BLACK RUBBER)
5	146 0748 000	1	SPAZZOLA CENTRALE STD (Ø 265X600 MM PPL)	MAIN BROOM (Ø 265X600 MM PPL)
6	145 1899 000	2	SPAZZOLA LATERALE (Ø 420 - PPL - Ø SETOLE = 0,8MM)	SIDE BROOM (Ø 420 - PPL - BRISTLE Ø = 0.8MM)
7	145 8514 000	2	FUSIBILE 25 A	FUSE 25 A
8	145 0227 000	1	FUSIBILE 40 A	FUSE 40 A
9	146 0068 00	4	FUSIBILE 10 A	FUSE 10 A
			MANUTENZIONE ORDINARIA	ORDINARY MAINTENANCE
10	145 9184 000	1	MOLLA PER LEVA TENDICINGHIA	BELT TENSIONER SPRING
11	146 1917 000	1	CINGHIA	BELT
12	146 0519 000	2	MOZZO SPAZZOLA LATERALE	SIDE BROOM HUB
13	145 8360 000	4	SPAZZOLA	CARBON BRUSH
14	145 5042 000	4	SPAZZOLA	CARBON BRUSH
			MANUTENZIONE STRAORDINARIA	EXTRAORDINARY MAINTENANCE
15	146 1899 000	2	RUOTA POSTERIORE	REAR WHEEL
16	145 0247 000	1	RUOTA ANTERIORE	FRONT WHEEL
17	146 0945 000	2	RULLO PARACOLPI	ROLLER BUMPER
18	145 4536 000	2	CLIPS M6	CLIPS M6
19	145 1975 000	1	CAVO ALZAFLAP	SKIRT RAIS. DEVICE CABLE
20	145 1935 000	1	MOLLA PER SCUOTIFILTRO	SPRING
21	145 8066 000	1	FRENO RUOTA ANTERIORE	FRONT WHEEL BRAKE
22	146 2122 000	1	KIT PEDALE FRENO	BRAKE PEDAL KIT
23	145 2713 000	1	CATENA 3/8 59 PASSI	CHAIN 3/8 59 LINKS
24	145 9604 000	1	MAGLIA DI GIUNZIONE	LINK
25	145 0222 000	1	CATENA 3/8 35 LINKS	CHAIN 3/8 35 LINKS
26	146 2166 000	1	MOTORIDUTTORE CPL 24V/400W	REDUCTION GEAR MOTOR CPL 24V/400W
27	146 1897 000	2	MOTORIDUTTORE 24V-60W	REDUCTION GEAR MOTOR 24V/60W
28	145 0274 000	2	MOLLA PER LEVA TENDICINGHIA	SPRING
29	146 1895 000	2	CAVO SPAZZOLA LATERALE	SIDE BROOM CABLE
30	146 0719 000	1	TELERUTTORE 24V	ELECTROMAGNETIC SWITCH 24V
31	146 1646 000	1	MICRO RELE' 24 V 10/15 A	RELAY 24 V 10/15 A
32	145 3712 000	1	RELÈ 24 V 10/20 A	RELAY 24 V 10/20 A
33	146 1721 000	1	SCHEDA ELETTRONICA DISPLAY	DISPLAY ELECTRONIC BOARD
34	146 0565 000	1	MICROINTERRUTTORE COFANO	HOOD SAFETY SWITCH
35	145 4691 000	1	CUSCINETTO	BALL BEARING
36	145 0225 000	1	CUSCINETTO	BALL BEARING
37	146 1928 000	1	GUARNIZIONE PARAOLIO	GASKET
38	145 0221 000	1	PIGNONE	PINION
39	146 0741 000	1	GUARNIZIONE CASSETTO	HOPPER GASKET
40	146 0630 000	1	GUARNIZIONE CASSETTO	HOPPER GASKET
41	146 1891 000	1	CAVO COMANDO ASPIRAZIONE	CABLE
42	146 2130 000	1	KIT MOTORE SCUOTIFILTRO CPL DI TERMINALI 24V	FILTER SHAKER MOTOR CPL 24V
43#	L08603152	1	INTERRUTTORE ACCENSIONE 20 A 250 V	MAIN SWITCH 20 A 250V
44	146 2134 000	1	KIT PEDALE AVANZAMENTO	SPEED CONTROL PEDAL KIT
45	146 1943 000	1	CABLAGGIO PEDALE	POTENTIOMETER
46#	L08812580	1	MICROINTERRUTTORE 16A/250V	MICROSWITCH 16A/250V
47#	L08812377	1	CONTATTO PER MICROINT.	CONTACT FOR MICROSWITCH
48	146 0073 00	1	CHIAVE DI ACCENSIONE	KEY
49	146 1944 000	1	SCHEDA TRAZIONE	SPEED CONTROLLER
50	145 9679 000	1	MICROINTERRUTTORE	MICROSWITCH
51	909 5706 000	2	FUSIBILE 30 A	CIRCUIT BREAKER 30 A

Recommended spare parts 1

SR 1000S B

22-12-2013

Part List ID

F-3915Z

54

Pos	Part no.	Qty	Description
1	146 1888 000	1	FILTER PAPER
2	146 0738 000	1	SKIRT REAR
3	146 0756 000	1	SKIRT FRONT SOFT
4	146 0555 000	2	SKIRT SIDE
5	146 0748 000	1	BROOM MAIN D.265X600 PPL 0.7
6	145 1899 000	2	BROOM SIDE 180X420 PPL 0.8
7	145 8514 000	2	FUSE 25A
8	145 0227 000	1	FUSE BLADE 40A
9	146 0068 000	4	FUSE 10A
10	145 9184 000	1	SPRING
11	146 3137 000	1	BELT TRANSMISSION KIT
12	146 0519 000	2	HUB SIDE BROOM
13	1464432000	1	CARBON BRUSHES KIT 4 PCS
14	1464433000	4	CARBON BRUSHES KIT 4 PCS
15	146 1899 000	2	WHEEL
16	1463184000	1	WHEEL FRONT
17	146 0945 000	2	ROLLER BUMPER
18	145 4536 000	2	CIRCLIP M6
19	145 1975 000	1	CABLE SKIRT RAIS.DEVICE
20	145 1935 000	1	SPRING
21	145 8066 000	1	BRAKE FRONT WHEEL
22	146 2122 000	1	PEDAL BRAKE KIT
23	145 2713 000	1	CHAIN ROLLER 3/8 - 59 PITCHES
24	145 9604 000	1	LINK 3/8
25	145 0222 000	1	CHAIN ROLLER 3/8 - 35 PITCHES
26	146 2166 000	1	REDUCTION GEARMOTOR CPL CON/SHEATH
27	1464152000	2	REDUCTION GEARMOTOR 60W 24V
28	145 0274 000	2	SPRING
29	146 1895 000	2	CABLE.SIDE BROOM
30	146 0719 000	1	SWITCH ELECTROMAGNETIC 24V
31	146 1646 000	1	RELAY 24V
32	145 3712 000	1	RELAY 24V
33	146 1721 000	1	BOARD ELECTRONIC DISPLAY
34	146 0565 000	1	SWITCH. HOOD SAFETY
35	145 4691 000	1	BEARING TAPER ROLLER 32006
36	145 0225 000	1	BEARING BALL 6006 2RS1
37	146 1928 000	1	GASKET
38	145 0221 000	1	PINION Z17 3/8 7/32
39	146 0741 000	1	GASKET BULB RUBBER L.2030MM
40	146 0630 000	1	GASKET BULB RUBBER L.1800MM
41	146 1891 000	1	CABLE
42	146 2130 000	1	MOTOR FILTER SHAKER CPL.W TERMINAL / CO
43	909 5668 000	1	SWITCH COMPLETE

Recommended spare parts 1

SR 1000S B

22-12-2013

Part List ID

F-3915Z

55

Pos	Part no.	Qty	Description
44	146 2134 000	1	PEDAL SPEED CONTROL KIT W/ MICRO SWITCH
45	146 1943 000	1	POTENTIOMETER
46	L08812580	1	MICROSWITCH 16A 250V
47	L08812377	1	CONTACT FOR MICROSWITCH
48	146 0073 00	1	KEY
49	146 2880 000	1	CARD.ELECTRONIC DRIVE
50	145 9679 000	1	MICROSWITCH 10A 250V
51	909 5706 000	2	BREAKER CIRCUIT 30A

Recommended spare parts 2

SR 1000S B

22-12-2013

Part List ID

F39153

56

Pos Item Bild Rép	Codice Ref. No. Art. Nr. Réf. No	Q.tà Qty Menge Qté	Descrizione	Description
			OPZIONI	OPTIONS
52	146 1988 000	1	FILTRO IN POLIESTERE	POLYESTER FILTER -
53	146 1989 000	1	FILTRO IN POLIESTERE ANTISTATICO	POLYESTER FILTER - ANTISTATIC
54	146 0749 000	1	SPAZZOLA CENTRALE OPT (Ø 265MM SAGGINA)	MAIN BROOM OPT (Ø 265MM - NATURAL FIBER)
55	146 0750 000	1	SPAZZOLA CENTR. OPT (Ø 265MM - MISTO ACCIAIO)	MAIN BROOM OPT (Ø 265MM - STEEL MIX)
56	146 0751 000	1	SPAZZOLA CENTR. OPT (Ø 245 PPL - Ø SETOLE = 0,7MM)	MAIN BROOM OPT (Ø245 - PPL (Ø OF BRISTLES = 0.7MM)
57	146 0753 000	1	SPAZZOLA CENTRALE OPT (Ø 245MM SAGGINA)	MAIN BROOM OPT (Ø245MM - NATURAL FIBER)
58	146 0752 000	1	SPAZZOLA CENTRALE OPT (Ø 245MM - NYLON)	MAIN BROOM OPT (Ø245MM - NYLON)
59	145 4959 000	2	SPAZZOLA LATERALE OPT (Ø 420 - MISTO ACCAIO)	SIDE BROOM OPT (Ø420MM - STEEL MIX)
60	145 4976 000	2	SPAZZOLA LATERALE OPT (Ø 420 - SAGGINA)	SIDE BROOM OPT (Ø420MM - NATURAL FIBER)
61	146 0678 000	2	SPAZZOLA LAT. OPT (Ø 347 NYLON - Ø SETOLE = 0,8MM)	SIDE BROOM OPT (Ø347 NYLON - BRISTLE Ø = 0.8MM)
62	146 2051 000	1	KIT LUCE PIVOETTANTE	FLASHING BEACON KIT
63	146 2050 000	1	KIT FARO DI LAVORO	WORKING LIGHT KIT
64	146 2048 000	1	KIT ASPIRAZIONE REMOTA	VACUUM CLEANER KIT
65	146 2063 000	1	KIT ALLARME RETROMARCIA	BACKUP ALARM KIT
66	146 2052 000	1	KIT CARICA BATTERIA	BATTERY CHARGER KIT
67	146 2102 000	1	KIT MOQUETTE (PRE-FILTRO, SPAZZ. CENTR. SAGGINA, FLAP POST. LAT. ANTITRACCIA, SPAZZ. LAT. SAGGINA)	KIT CARPET (PREFILTER GRID, MAIN BROOM NAT. FIBER, REAR/SIDE NON MARKING SKIRT, SIDE BROOMS NAT. FIBER)
68#	146 0587 000	2	FLAP LAT. ANTITRACCIA	NON MARK. SIDE SKIRT
69#	146 0743 000	1	FLAP POST. ANTITRACCIA	NON MARK. REAR SKIRT
70#	146 0742 000	1	FLAP ANT. ANTITRACCIA	NON MARK. FRONT SKIRT
71#	146 1893 000	1	PREFILTRO	PRE-FILTRO

Recommended spare parts 2

SR 1000S B

22-12-2013

Part List ID

F-39153

57

Pos	Part no.	Qty	Description
52	146 1988 000	1	FILTER POLYESTER
53	146 1989 000	1	FILTER POLYESTER ANTIST.
54	146 0749 000	1	BROOM MAIN D.265X600 NATURAL FIBRE
55	146 0750 000	1	BROOM MAIN D.265X600 STEEL MIX
56	146 0751 000	1	BROOM MAIN D.245X600 PPL 0.7
57	146 0753 000	1	BROOM MAIN D.245X600 NATURAL FIBRE
58	146 0752 000	1	BROOM MAIN D.245X600 NYLON
59	145 4959 000	2	BROOM SIDE 180X420 STEEL MIX
60	145 4976 000	2	BROOM SIDE 180X420 NATURAL FIBRE
61	146 0678 000	2	BROOM SIDE NYLON D.180X347
62	146 2051 000	1	BEACON FLASH.ON SUP.KIT
63	146 2663 000	1	LIGHT WORKING KIT
64	146 2303 000	1	HARDWARE.VAC.CLEANER KIT SR 1000S
65	146 2661 000	1	ALARM BACK UP KIT
66	146 2052 000	1	CHARGER BATT.ON BOARD KIT 24V-25A EU
67	146 2102 000	1	CARPET KIT
68	146 0587 000	2	SKIRT SIDE NON MARKING
69	146 0743 000	1	SKIRT REAR NON MARKING
71	146 1893 000	1	PRE-FILTER

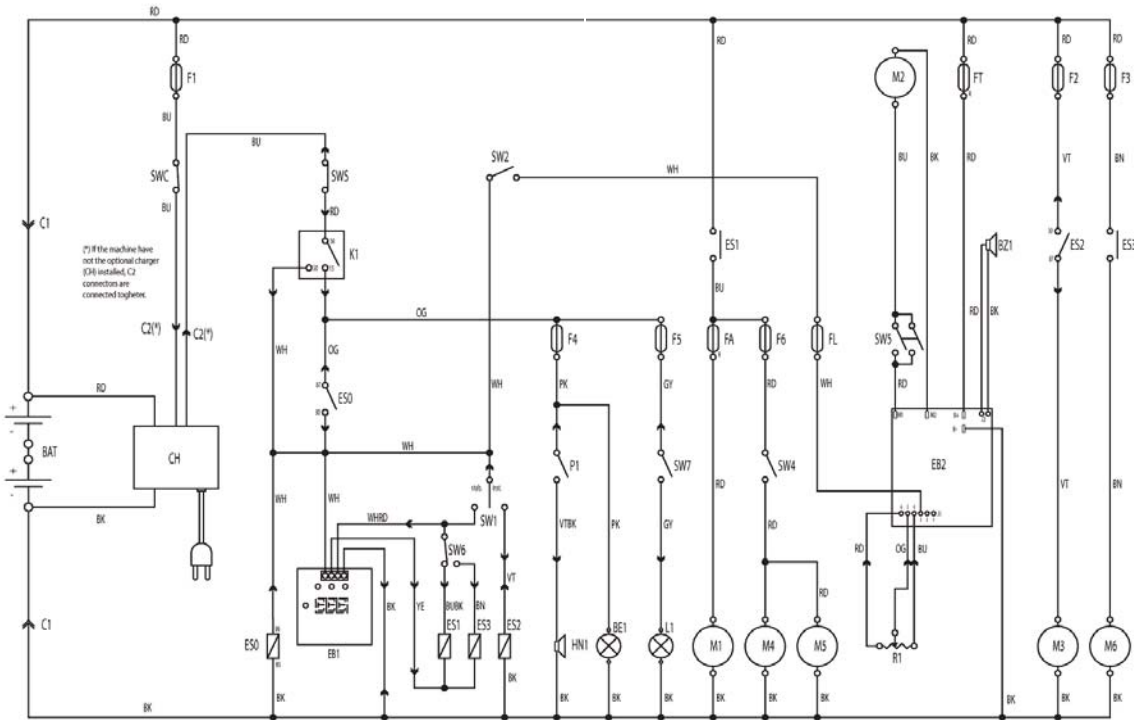
Electric Diagram

SR 1000S B

22-12-2013

Part List ID
F39154

58



WIRING DIAGRAM
SR1000S B
146 2006 000 Rev.C

COMPONENTS	
BAT	24V BATTERY
BE1	BEACON (OPT)
BZ1	REW BUZZER
C1	BATTERY CONNECTOR
CH1	BATTERY CHARGER (OPT)
EB1	HOUR METER & BATT. DISPLAY
EB2	DRIVE ELECTRONIC BOARD
ES0	START RELAYS
ES1	MAIN BRUSH ELECTROM. SWITCH
ES2	SHAKER RELAYS
ES3	VACUUM ELECTROM. SWITCH (OPT)
FA	MAIN BRUSH CIRCUIT BREAKER
FL	DRIVE BOARD FUSE (0A)
FT	DRIVE CIRCUIT BREAKER
F1	SERVICES (MAIN) FUSE (25A)
F2	SHEAKER FUSE (25A)
F3	VACUUM FUSE (40A) (OPT)
F4	HORN AND BEACON FUSE (10A)
F5	WORKING LIGHT FUSE (10A) (OPT)
F6	SIDE BRUSHES FUSE (10A)
HN1	HORN
K1	KEY
L1	WORKING LIGHT (OPT)
M1	MAIN BRUSH MOTOR
M2	DRIVE MOTOR
M3	SHEAKER MOTOR
M4	RIGHT BRUSH MOTOR
M5	LEFT BRUSH MOTOR (OPT)
M6	VACUUM MOTOR (OPT)
P1	HORN BUTTON
R1	DRIVE SPEED POTENTIOMETER
SWC	HOOD SAFETY MICROSCHWITCH
SWS	SAFETY SWITCH
SW1	BRUSHES AND SHEAKER SWITCH
SW2	SEAT SAFETY SWITCH
SW4	SIDE BRUSHES MICROSCHWITCH
SW5	DRIVE SWITCH
SW6	VACUUM SWITCH (OPT)
SW7	WORKING LIGHT SWITCH (OPT)

Electric Diagram

SR 1000S B

22-12-2013

Part List ID F-39154

59