

SR 1601 B

Model:
SR 1601 B



Part List US-English

04-12-2013

Table of Contents

SR 1601 B

GENERAL VIEW	3
CHASSIS ASSEMBLY 1	5
CHASSIS ASSEMBLY 2	7
CHASSIS COMPONENTS	9
HOPPER SYSTEM	11
VAC FAN - PANEL FILTER ASSY	13
RIGHT SIDE BROOM ASSY	15
LEFT SIDE BROOM ASSY	17
MAIN BROOM ASSY	19
CONTROL ASSEMBLY	21
PEDALS SYSTEM	23
ELECTRIC BOX	25
CONTROL PANEL AND RELAYS	27
REAR COVER ASSY	29
ELECTRIC MOTOR ASSY	31
HYDRAULIC PLAN ASSY 1	33
HYDRAULIC PLAN ASSY 2	35
HYDRAULIC PLAN ASSY 3	37
DRIVE MOTOR SCHEME	39
STEERING SCHEME	41
FLAP AND HOPPER SCHEME	43
SIDE BROOM SCHEME	45
ACCESSORIES - 1	47
ACCESSORIES - 2	49
ACCESSORIES - 3	51
ACCESSORIES - 4	53
ACCESSORIES - 5	55
ACCESSORIES - 6	57
ACCESSORIES - 7	59
WIRING DIAGRAM - PAG. 1	61
WIRING DIAGRAM - PAG. 2	64
WIRING DIAGRAM - PAG. 3	67
HYDRAULIC DIAGRAM	70
RECOMMENDED SPARE PARTS	72
OPTIONALS	75

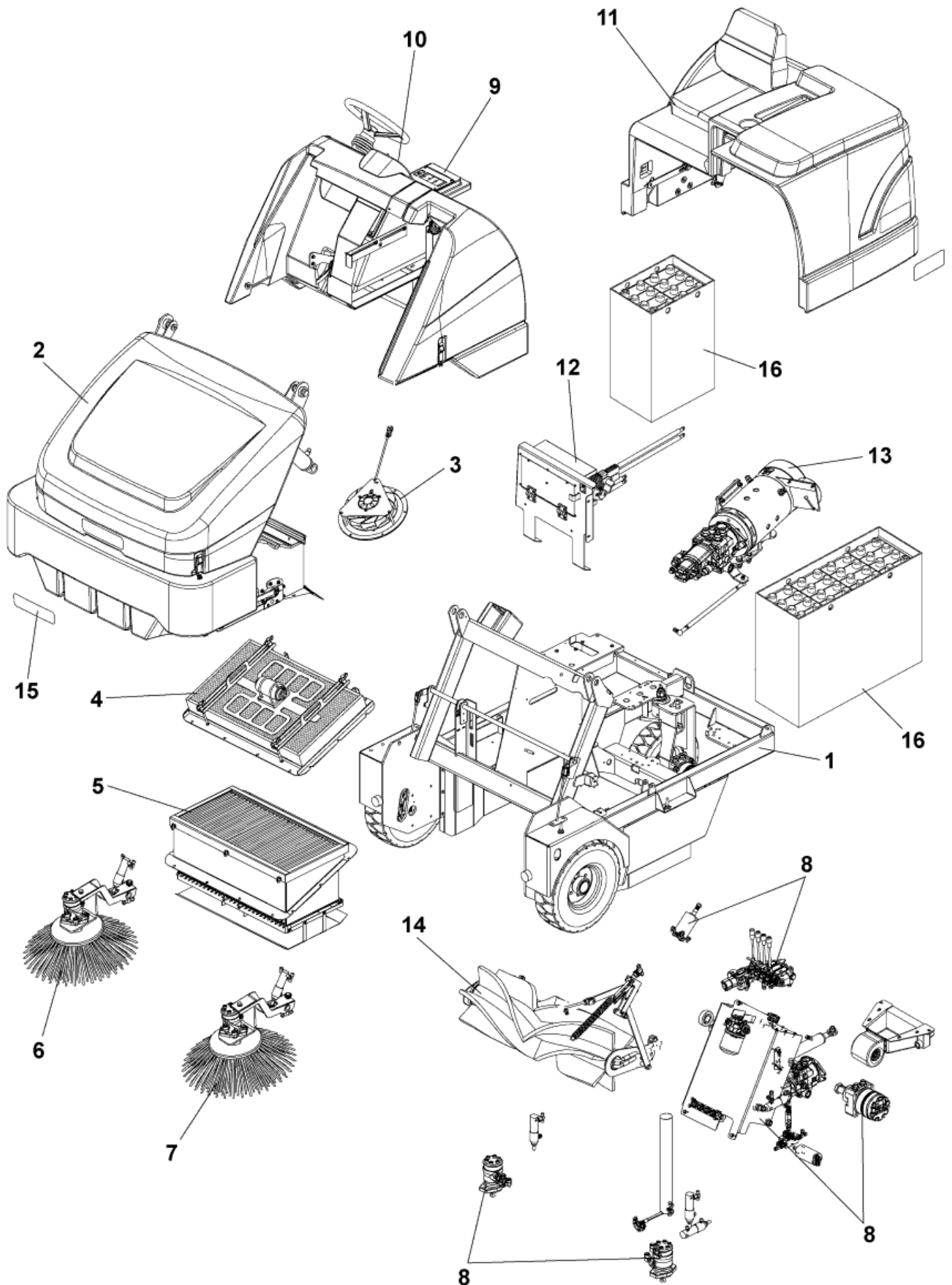
GENERAL VIEW

SR 1601 B

04-12-2013

Part List ID
SR1601B0010

3



GENERAL VIEW

SR 1601 B

04-12-2013

Part List ID
SR1601B0010

4

Pos	Part no.	Qty	Description	
1		1	USE LINK	
2		1	USE LINK	
3		1	USE LINK	
4		1	USE LINK	
5		1	USE LINK	
6		1	USE LINK	
7		1	USE LINK	
8		1	USE LINK	
9		1	USE LINK	
10		1	USE LINK	
11		1	USE LINK	
12		1	USE LINK	
13		1	USE LINK	
14		1	USE LINK	
15	33019727	1	DECALS SR 1601 B KIT	
16	80562010	1	BATT.48V-375AH WET 2 TRAY W/BFS.	Optional
17	80562030	1	CHARGER 48V-50A HF CPL-SB350B 3PHASE	NOT SHOWN - Optional

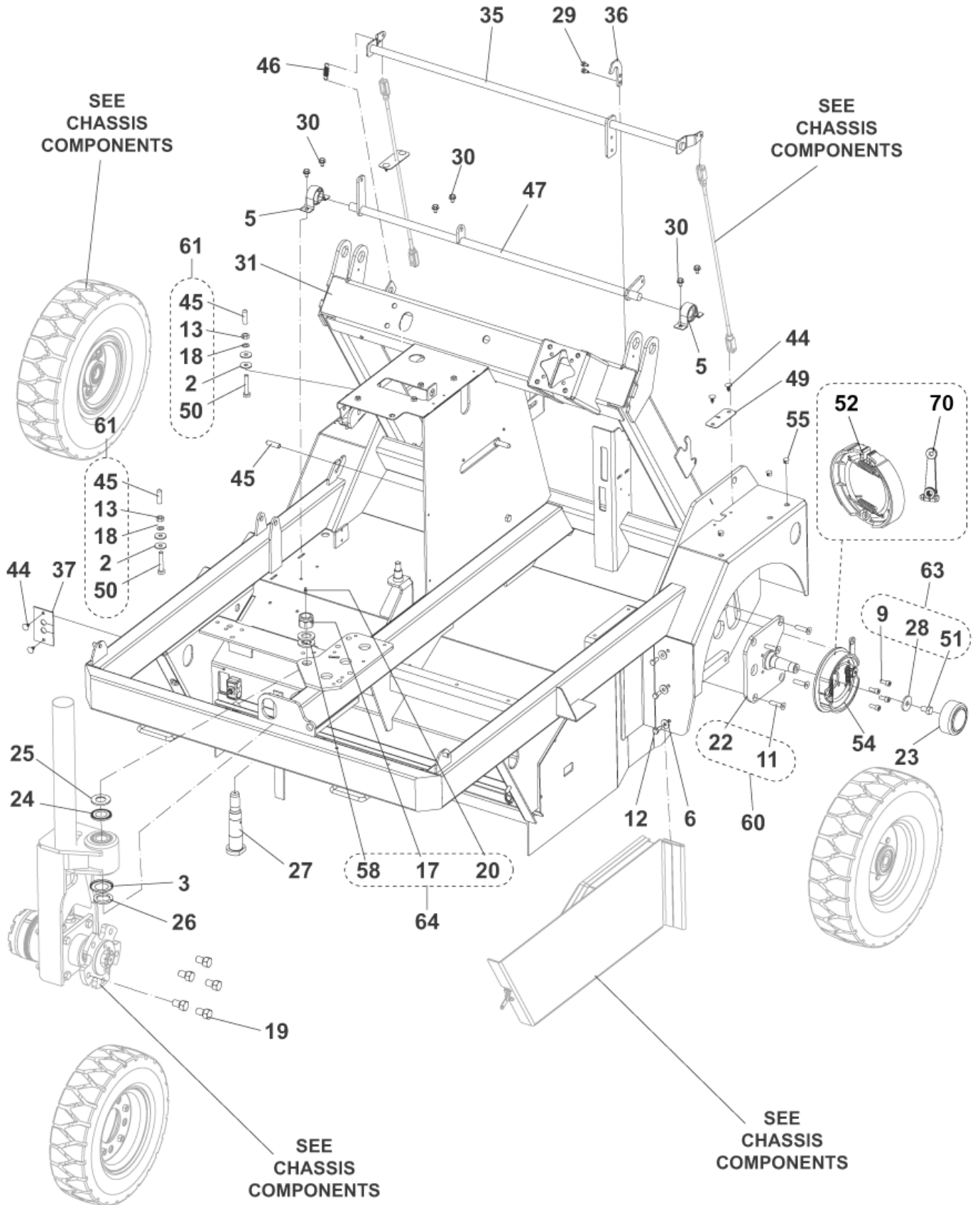
CHASSIS ASSEMBLY 1

SR 1601 B

04-12-2013

Part List ID
SR1601B0030

5



CHASSIS ASSEMBLY 1

SR 1601 B

04-12-2013

Part List ID
SR1601B0030

6

Pos	Part no.	Qty	Description
3	33003125	1	RING NILOS AV 32007
4	33003129	2	VIBRATION -DAMPING
5	33003201	4	SUPPORT SBPP 204
21	33009812	1	PLUG
23	33016904	2	CAP
24	33016909	1	RING NILOS AV 32006X
25	33016910	1	WASHER UPPER
26	33016911	1	WASHER LOWER
27	33016912	1	PIN DRIVE YOKE PIVOT
31	33017292	1	CHASSIS WELDED BATTERY MACHINE
32	33017057	1	DOOR LEFT WELDED
35	33017113	1	BAR JOINT BRAKE
36	33017114	1	PLATE BAR JOINT BRAKE
37	33017168	1	FLAP BROOM CHAMBER HOSES
39	33017171	1	FLAP SIDE
40	33017172	1	FLAP SIDE
41	33017173	2	FOAM HOPPER SIDE
42	33017174	1	FLAP REAR BROOM
46	33017199	1	SPRING
47	33017220	1	LINKAGE WELDED THROTTLE BATTERY VERSION
48	33017262	1	STATIC STRAP
49	33017266	2	FLAP WHEEL WELL TOP
52	33020206	2	SHOE BRAKE
53	33018539	1	COLLAR D.18
54	33020204	2	DRUM BRAKE
54	33020205	2	DRUM BRAKE KIT FOR MACHINE UP TO sn 084734256
59	33021180	1	GASKET U SHAPED PVC L.100MM KIT
60	33018790	1	SUPPORT FRONT WHEEL KIT (Pos 22-11)
61	33020409	1	HARDWARE CENTRING KIT (Pos 50-45-18-13-2)
62	33020410	1	HARDWARE BRAKE ROD KIT NOT SHOWN (Pos 29-44)
63	33020411	1	HARDWARE FRONT WHEEL SUPPORT KIT (Pos 9-28-51)
64	33020412	1	HARDWARE REAR WHEEL PIN KIT (Pos 58-20-17)
65	33020332	1	HARDWARE CHASSIS KIT NOT SHOWN (Pos 3-13-16 chassis components -51-50-5)
66	33018791	1	FIXING GASKETS KIT NOT SHOWN (Pos 12-33-34-1-15)
67	33020333	1	HARDWARE FLAP KIT NOT SHOWN (Pos 16-6-12-15-1)
68	33019212	1	HOPPER STOP KIT (Pos 57-45-43-38-14-10)
69	33018866	1	SUPPORT BEARING KIT NOT SHOWN (Pos 5-15-8-7-6)
70	33022785	1	LEVER BRAKE

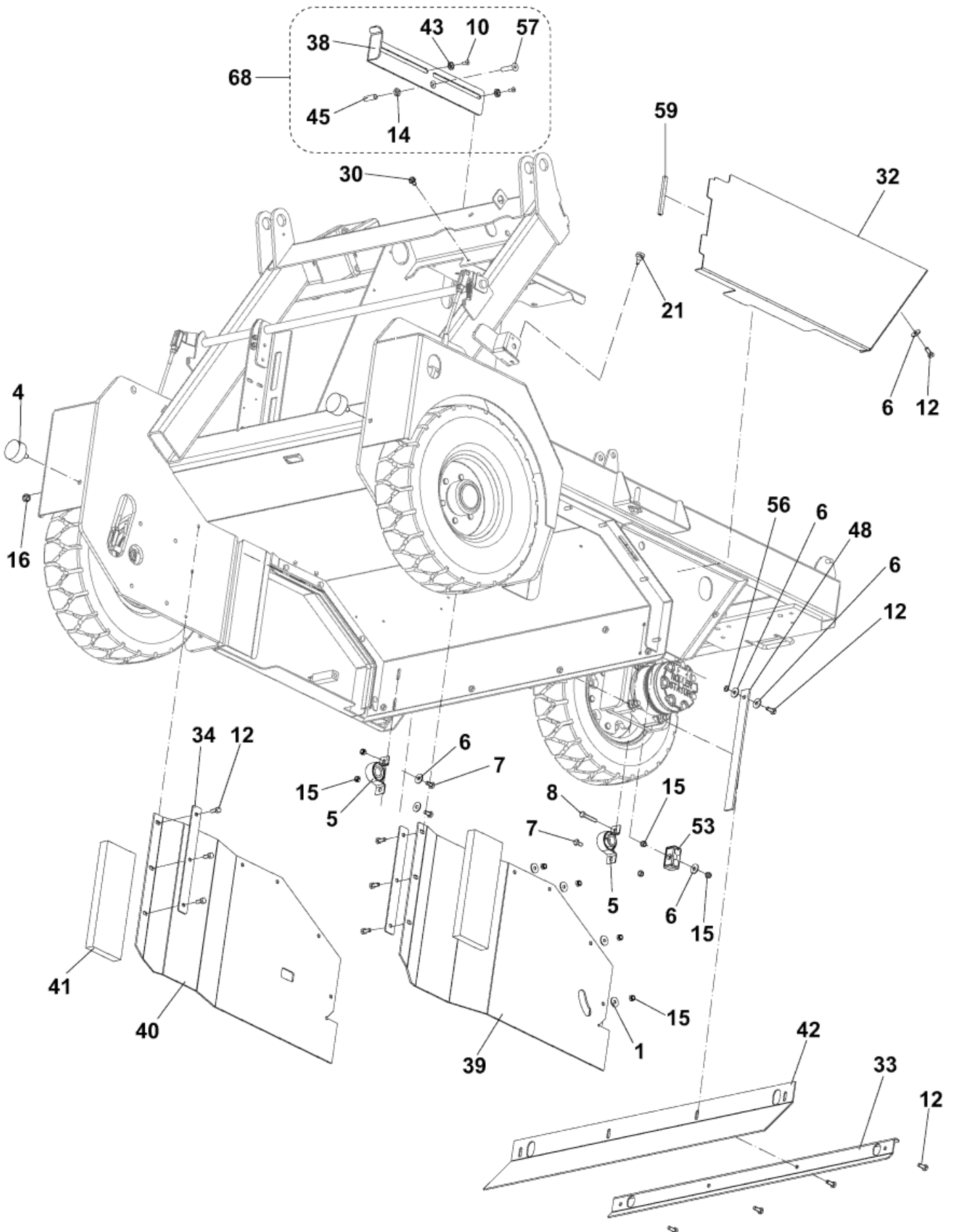
CHASSIS ASSEMBLY 2

SR 1601 B

04-12-2013

Part List ID
SR1601B0050

7



CHASSIS ASSEMBLY 2

SR 1601 B

04-12-2013

Part List ID
SR1601B0050

8

Pos	Part no.	Qty	Description
3	33003125	1	RING NILOS AV 32007
4	33003129	2	VIBRATION -DAMPING
5	33003201	4	SUPPORT SBPP 204
21	33009812	1	PLUG
23	33016904	2	CAP
24	33016909	1	RING NILOS AV 32006X
25	33016910	1	WASHER UPPER
26	33016911	1	WASHER LOWER
27	33016912	1	PIN DRIVE YOKE PIVOT
31	33017292	1	CHASSIS WELDED BATTERY MACHINE
32	33017057	1	DOOR LEFT WELDED
35	33017113	1	BAR JOINT BRAKE
36	33017114	1	PLATE BAR JOINT BRAKE
37	33017168	1	FLAP BROOM CHAMBER HOSES
39	33017171	1	FLAP SIDE
40	33017172	1	FLAP SIDE
41	33017173	2	FOAM HOPPER SIDE
42	33017174	1	FLAP REAR BROOM
46	33017199	1	SPRING
47	33017220	1	LINKAGE WELDED THROTTLE BATTERY VERSION
48	33017262	1	STATIC STRAP
49	33017266	2	FLAP WHEEL WELL TOP
52	33020206	2	SHOE BRAKE
53	33018539	1	COLLAR D.18
59	33021180	1	GASKET U SHAPED PVC L.100MM KIT
60	33018790	1	SUPPORT FRONT WHEEL KIT (Pos 22-11)
61	33020409	1	HARDWARE CENTRING KIT (Pos 50-45-18-13-2)
62	33020410	1	HARDWARE BRAKE ROD KIT NOT SHOWN (Pos 29-44)
63	33020411	1	HARDWARE FRONT WHEEL SUPPORT KIT (Pos 9-28-51)
64	33020412	1	HARDWARE REAR WHEEL PIN KIT (Pos 58-20-17)
65	33020332	1	HARDWARE CHASSIS KIT NOT SHOWN (Pos 3-13-16 chassis components -51-50-5)
66	33018791	1	FIXING GASKETS KIT NOT SHOWN (Pos 12-33-34-1-15)
67	33020333	1	HARDWARE FLAP KIT NOT SHOWN (Pos 16-6-12-15-1)
68	33019212	1	HOPPER STOP KIT (Pos 57-45-43-38-14-10)
69	33018866	1	SUPPORT BEARING KIT NOT SHOWN (Pos 5-15-8-7-6)
70	33022785	1	LEVER BRAKE

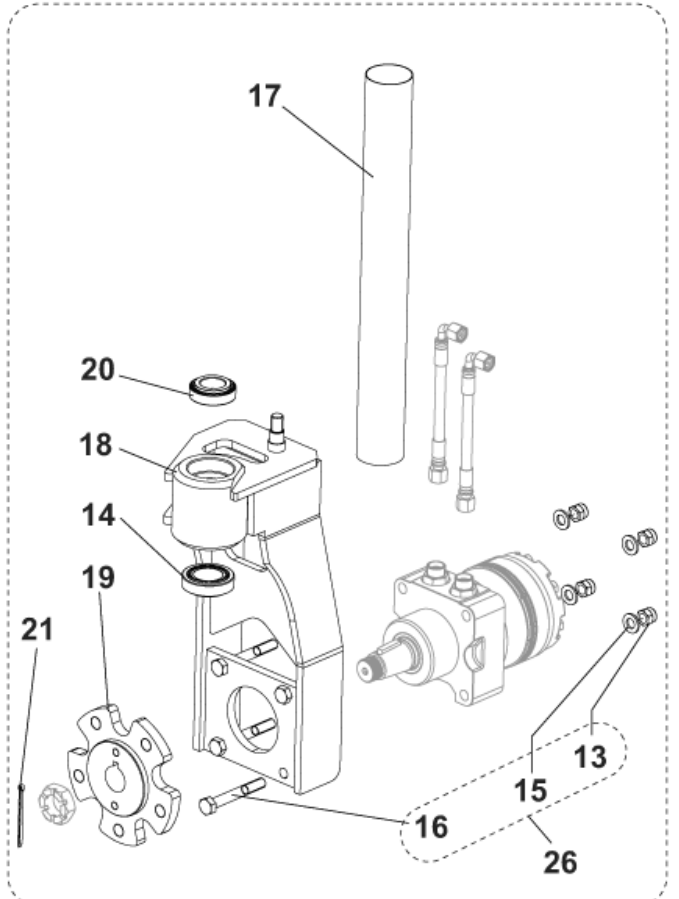
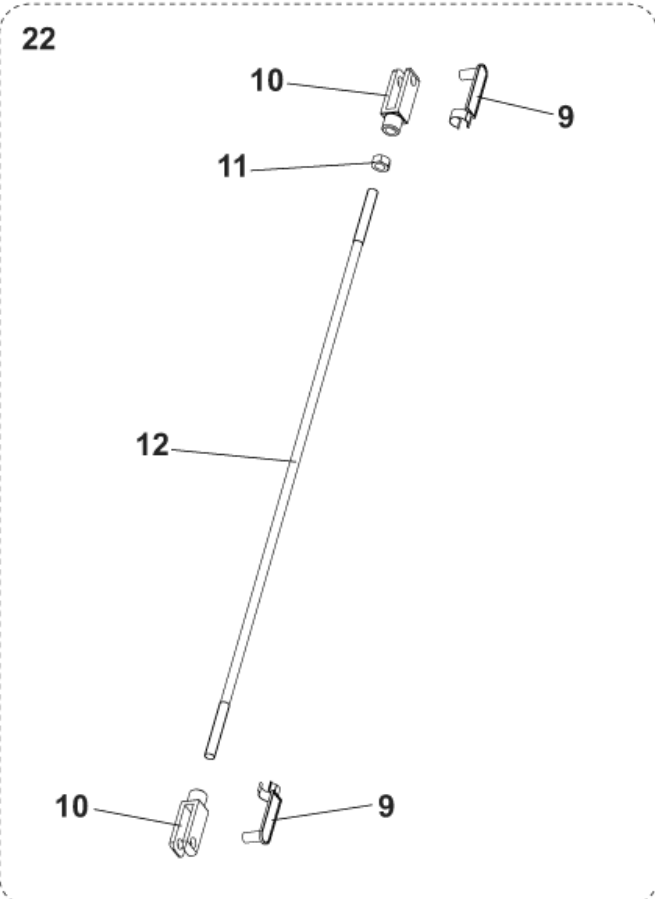
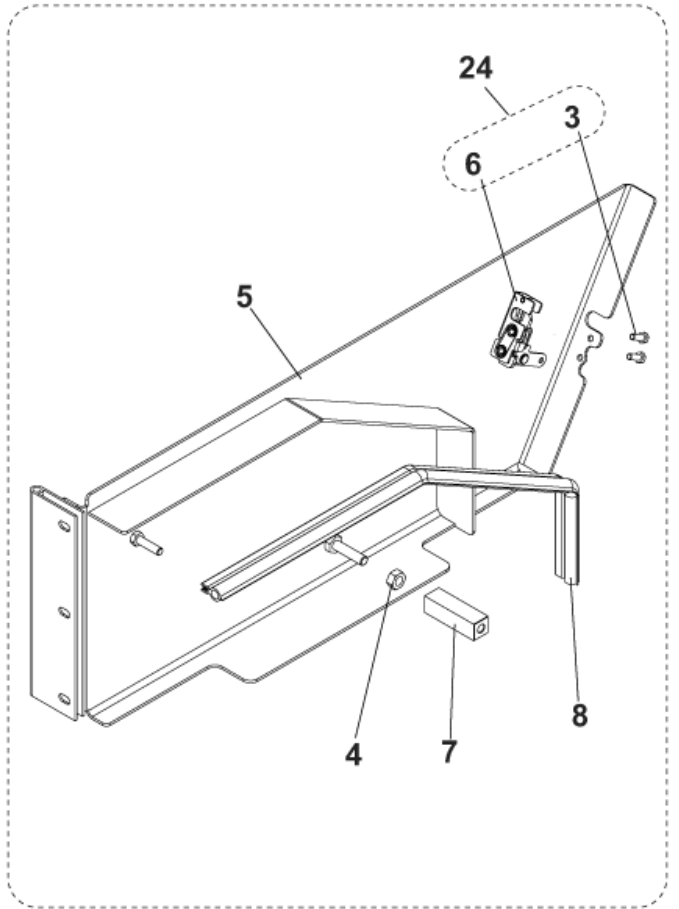
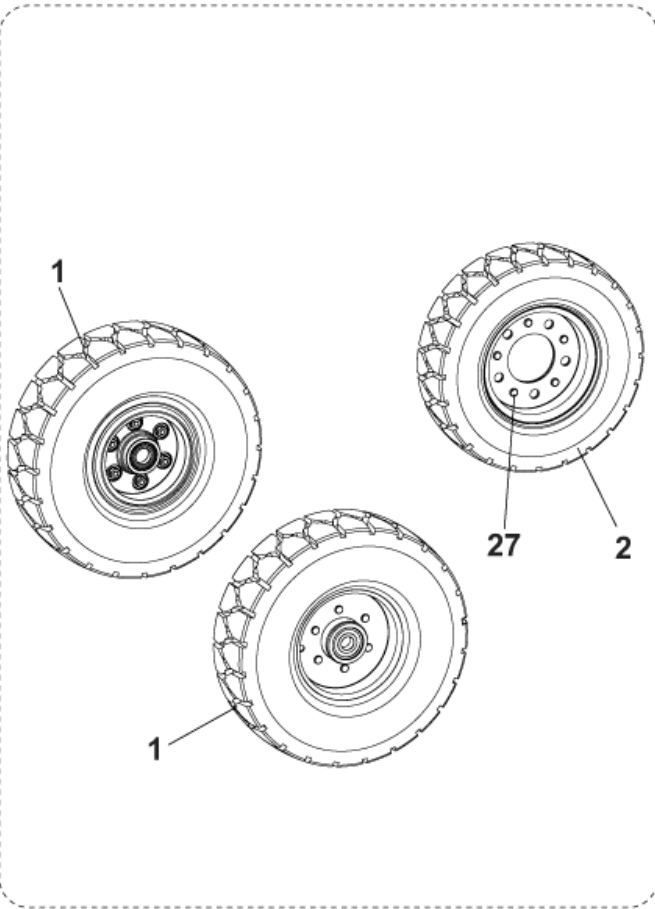
CHASSIS COMPONENTS

SR 1601 B

04-12-2013

Part List ID
SR1601B0070

9



CHASSIS COMPONENTS

SR 1601 B

04-12-2013

Part List ID
SR1601B0070

10

Pos	Part no.	Qty	Description	
1	33022519	1	WHEELS SUPERELASTIC 5.00/8 KIT	FRONT TYRE
2	33009648	1	WHEEL SUPERELASTIC 4.00	STEERING TYRE
2	33022513	1	WHEEL SUPERELASTIC GUMASOL 4.00/8	STEERING TYRE
7	33017128	1	STOP BROOM ARM	
8	33017129	1	GASKET BULB REINFORCED L.670MM	
14	33003175	1	BEARING TAPER ROLLER 32007	
17	33015544	1	SHEATH 90 D56 L 700	
19	33017103	1	HUB REAR WHEEL	
20	145 4691 000	1	BEARING TAPER ROLLER 32006	
22	33018794	1	CONNECTION BRAKE KIT	(Pos 9-10-11-12)
23	33019101	1	HATCH RIGHT KIT	NOT SHOWN (Pos 12-6 Chassis assembly -5)
24	33018796	1	CLOSING HATCH RIGHT SIDE KIT	(Pos 3-6)
25	33018792	1	SUPPORT REAR WHEEL KIT	NOT SHOWN (Pos 13-15-16-18-21)
26	33020413	1	HARDWARE REAR WHEEL KIT	(Pos 19 Chassis assembly -13-15-16)
27	33022434	1	STUD BOLT KIT	

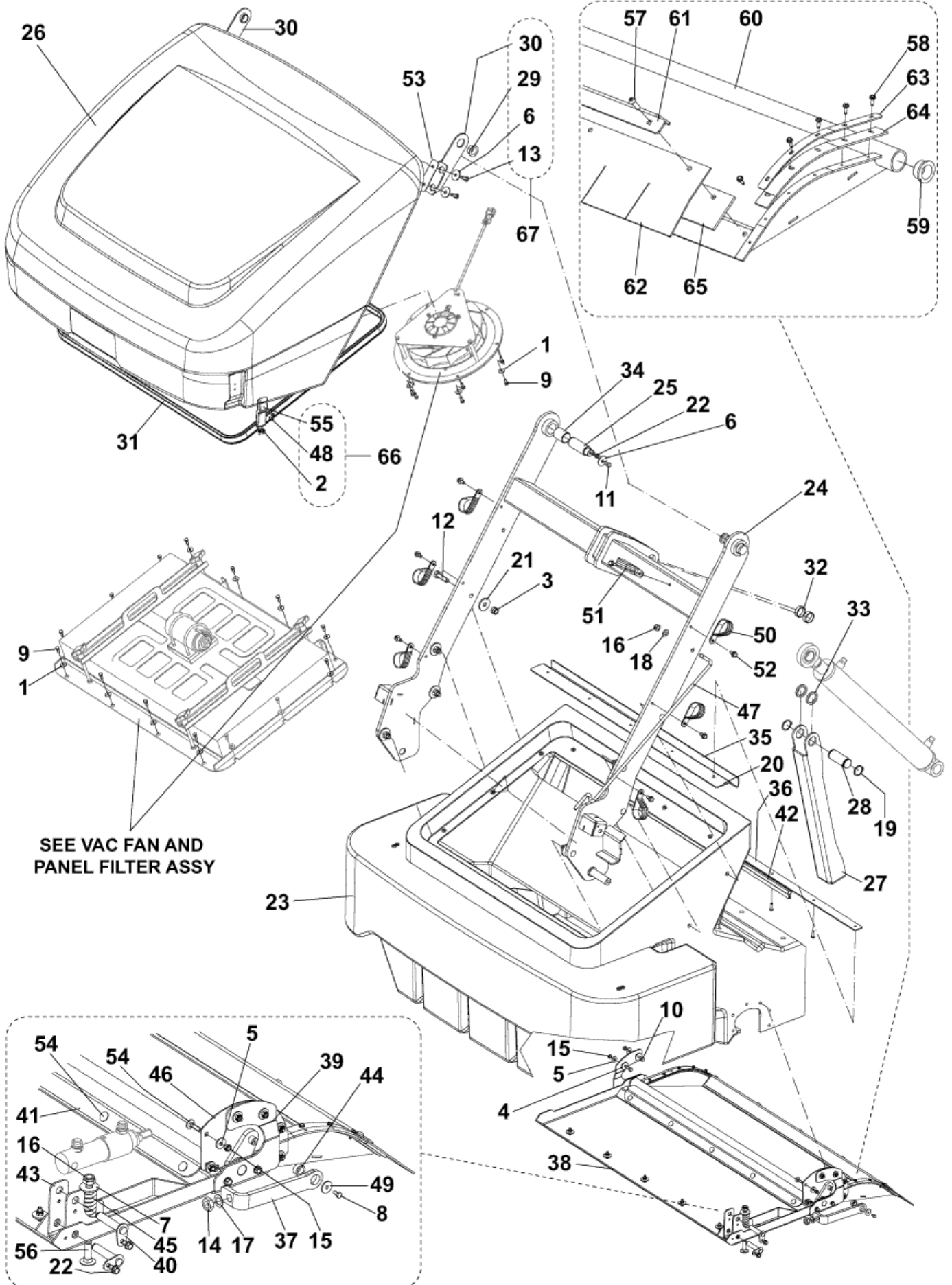
HOPPER SYSTEM

SR 1601 B

04-12-2013

Part List ID
SR1601B0090

11



HOPPER SYSTEM

SR 1601 B

04-12-2013

Part List ID
SR1601B0090

12

Pos	Part no.	Qty	Description	
23	33017058	1	HOPPER WASTE	
24	33017059	1	ARM HOPPER	
25	33017060	2	PIN HOPPER PIVOT	
26	33017061	1	COVER HOPPER MOLDED	
27	33017108	1	BAR SECURITY	
31	33017126	1	GASKET BULB RUBBER L.2930MM	
37	33017137	1	ARM HOPPER DOOR	
38	33017138	1	PLATE HOPPER BUTTOM	
39	33017139	2	PIN HOPPER DOOR	
40	33017146	2	PIN	
41	33017229	1	PLATE HOPPER FLAP	
42	33017257	1	GASKET BULB REINFORCED L.900MM	
45	33017287	1	SPRING	
46	33017288	1	PLATE W/BOLTS	
53	33020011	2	PLATE OF CONTRAST	
59	33017116	1	BUSHING MFM 22X28X15	
61	33017201	1	SKIRT STRAP DOOR	
62	33017202	1	SKIRT HOPPER DOOR	
63	33017240	2	STRAP DOOR SIDE SKIRT	
64	33017241	1	SKIRT DOOR SIDE	
66	33018803	1	LATCH KIT	(Pos 55-2-48)
67	33019115	1	HINGES BONNET KIT	(Pos 13-6-29-30)
68	33017366	1	HARNESS HOPPER	NOT SHOWN
69	33019116	1	CLAMPS HOSES FIXING KIT	NOT SHOWN (Pos 50-51-52)
70	33018799	1	PLATE CONTAINER KIT	NOT SHOWN (Pos 35-36-20)
71	33018800	1	MECHANISM LIFTING KIT	NOT SHOWN (Pos 7-49-8-14-16-22-37-40-43-44-45-56-1)
72	33019118	1	SKIRT HATCH CONTAINER KIT	NOT SHOWN (Pos 15-58-59-60-54-61-62-63-64)
73	33019117	1	GASKETS HATCH KIT	NOT SHOWN (Pos 64-62-65)
74	33020414	1	HARDWARE HOPPER BOTTOM KIT	NOT SHOWN (Pos 9-17-15-12-10-5-4-29)
75	33020415	1	HARDWARE SUPPORT KIT	NOT SHOWN (Pos 1-3-9-13-20-19-29)
76	33020334	1	HARDWARE HOPPER KIT	NOT SHOWN (Pos 1-29-20-19-17-15-13-12-10-9-5-4-3)
77	33018798	1	HARDWARE LIFTING CONTAINER KIT	NOT SHOWN (Pos 6-22-25-34-33-32-28-19-11)
78	33018801	1	FIXING ROD CONTAINER KIT	NOT SHOWN (Pos 47-16-18)
79	33021975	1	GAS SPRING KIT	NOT SHOWN - Optional - INST.INSTR.CODE 33021977

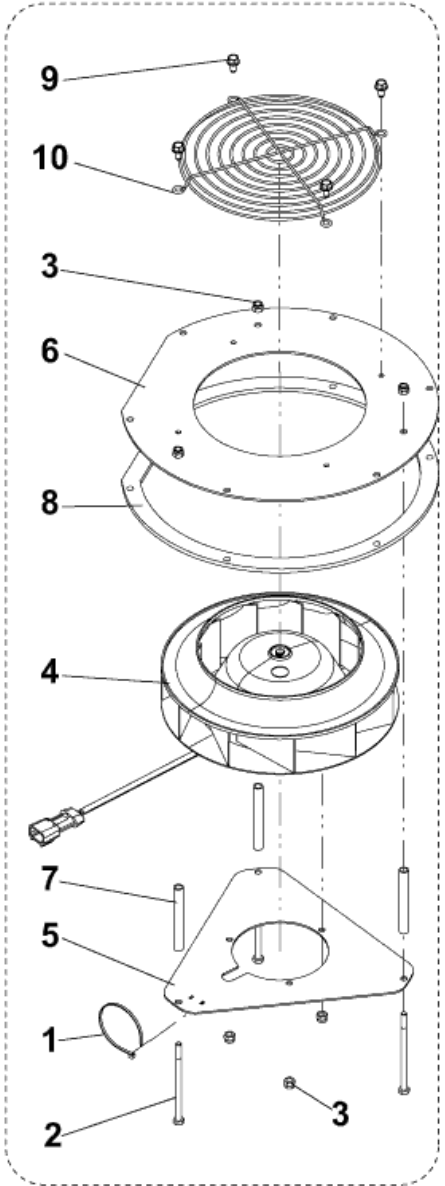
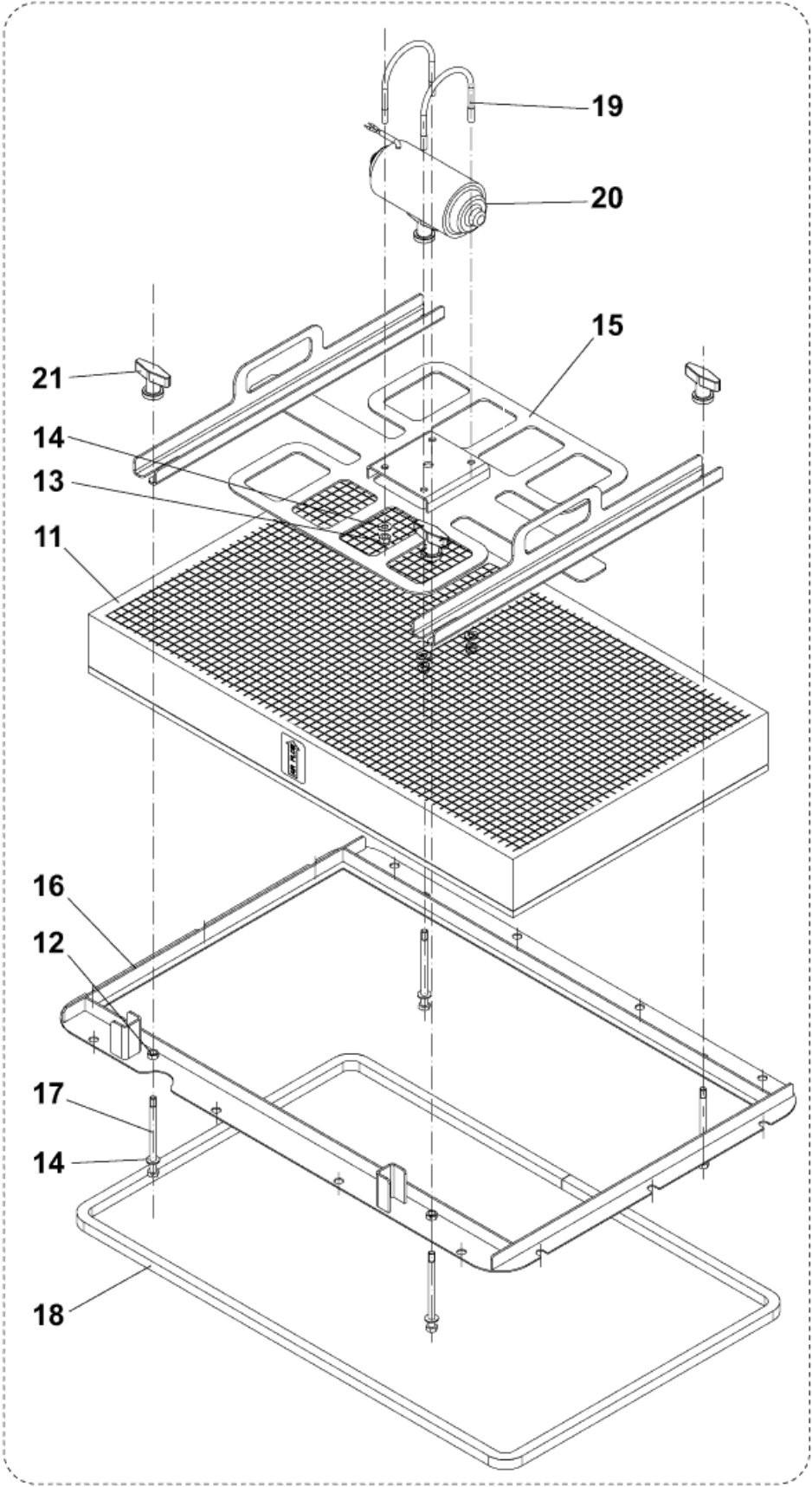
VAC FAN - PANEL FILTER ASSY

SR 1601 B

04-12-2013

Part List ID
SR1601B0110

13



VAC FAN - PANEL FILTER ASSY

SR 1601 B

04-12-2013

Part List ID
SR1601B0110

14

Pos	Part no.	Qty	Description	
4	33015700	1	FAN RADIAL 48V	
8	33016950	1	GASKET	
11	56382789	1	FILTER PANEL POLY HIGH FLOW	Optional
11	8-24-04139-1	1	FLTR PANEL ULTRA-WEB CELLULOSE	
15	33017118	1	PLATE LOCK SHAKER	
16	33017119	1	FRAME PANEL FILTER	
18	33018634	1	GASKET ADHESIVE 15X15 L.2560MM	
20	33017232	1	MOTOR FILTER SHAKER 48V	
21	9098257000	4	NUT THUMB SQUEEGEE FIXING	
22	33021181	1	GASKET U SHAPED PVC L.170MM KIT	
23	33018804	1	FIXING ELECTROFAN KIT	NOT SHOWN (Pos 1-2-3-5-6-7)
24	33018805	1	GRILL ELECTROFAN KIT	NOT SHOWN (Pos 9-10)
25	33020335	1	HARDWARE PANEL FILTER KIT	NOT SHOWN (Pos 19-17-14-13-12)
26	33019259	1	ANTISTATIC KIT	NOT SHOWN - TSB IT 2010-046-INST.INSTR.CODE 330192

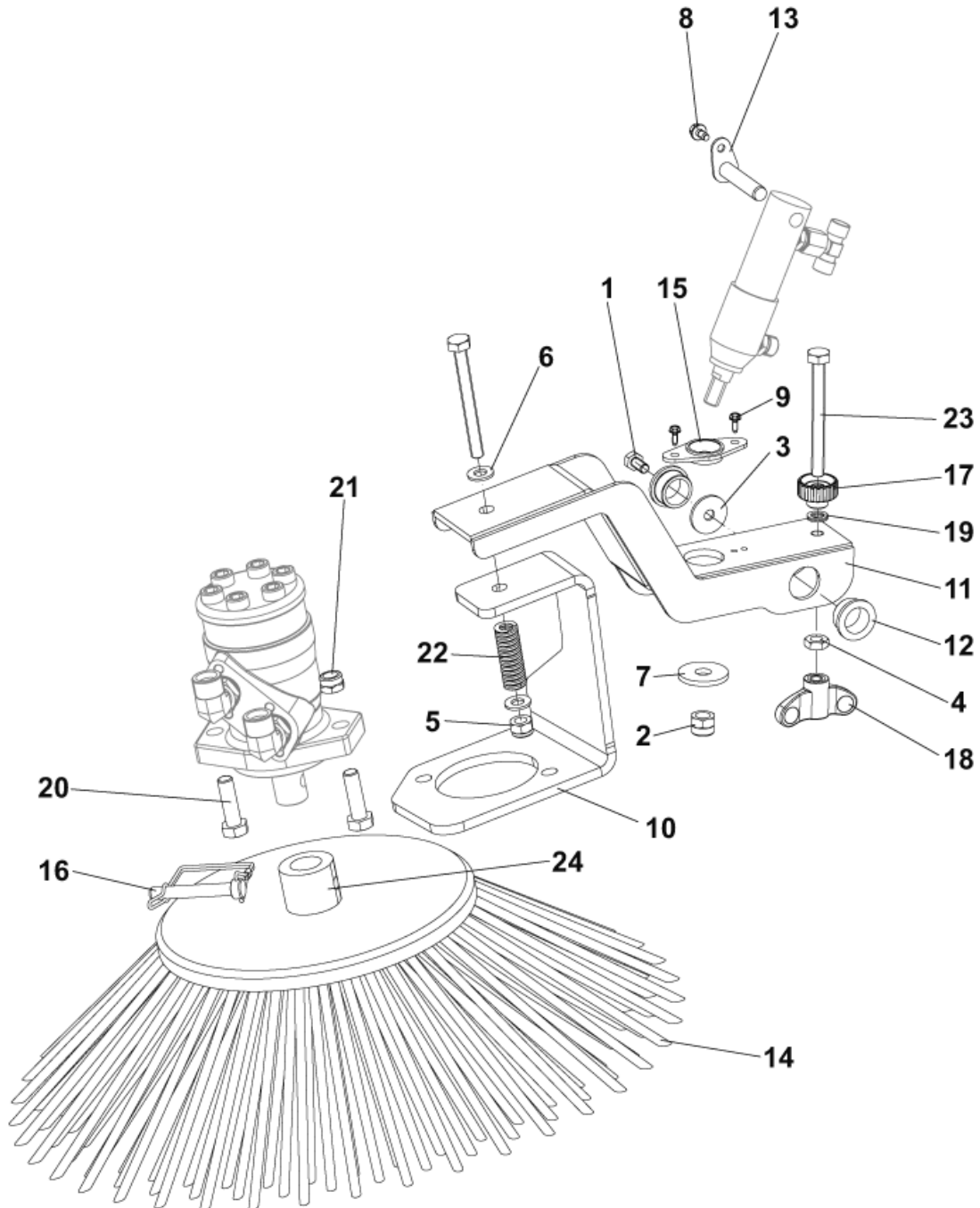
RIGHT SIDE BROOM ASSY

SR 1601 B

04-12-2013

Part List ID
SR1601B0130

15



RIGHT SIDE BROOM ASSY

SR 1601 B

04-12-2013

Part List ID
SR1601B0130

16

Pos	Part no.	Qty	Description	
10	33017107	1	SUPPORT RIGHT SIDE MOTOR	
11	33017115	1	ARM SIDE BROOM	
14	33017255	1	BROOM SIDE PPL 259X550	
14	33018889	1	BROOM SIDE PPL 1.5/STEEL 0.35	Optional
14	33018890	1	BROOM SIDE NYLON 0.5	Optional
14	33021313	1	BROOM SIDE PPL	
16	33022876	1	PIN D.10 LOCKING BRUSH	
17	33017889	1	KNOB M10	
18	33018333	1	NUT WING M10	
22	146 1317 000	1	SPRING	
24	33020628	1	HUB BROOM	
25	33020336	1	HARDWARE SUPPORT KIT	NOT SHOWN (Pos 23-21-20-22-6-5-4)
26	33020337	1	HARDWARE CYLINDER SIDE BROOM KIT	NOT SHOWN (Pos 15-13-9-8-7-2)
27	33020338	1	HARDWARE SETTING SIDE BROOM KIT	NOT SHOWN (Pos 23-19-18-17-7-1-3-12)

LEFT SIDE BROOM ASSY

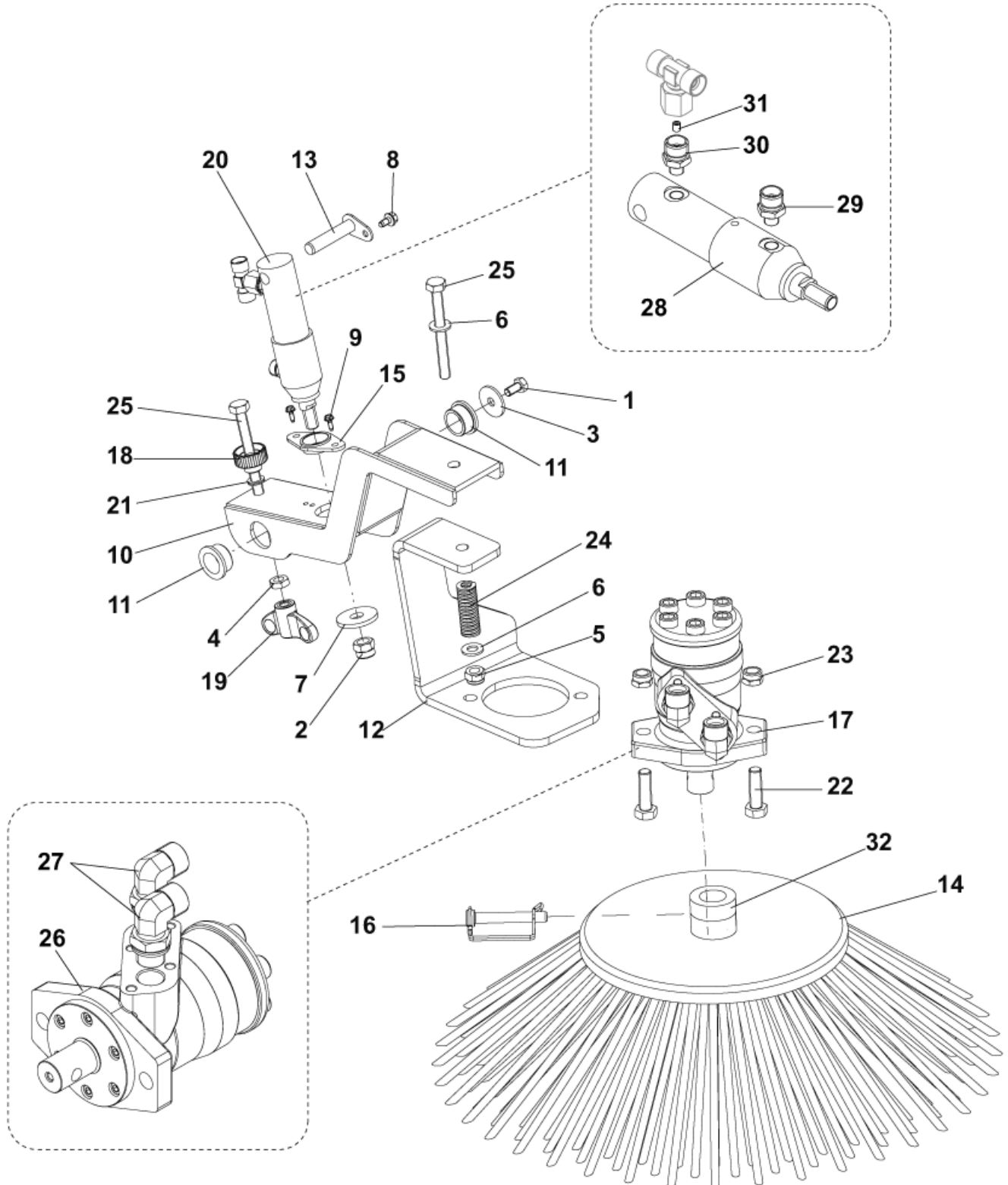
SR 1601 B

04-12-2013

Part List ID
SR1601B0150

17

equipped on SR 1601 MAXI



LEFT SIDE BROOM ASSY

SR 1601 B

04-12-2013

Part List ID
SR1601B0150

18

Pos	Part no.	Qty	Description	
10	33017115	1	ARM SIDE BROOM	
12	33017117	1	CATCH LATCH	
14	33017255	1	BROOM SIDE PPL 259X550	
14	33018889	1	BROOM SIDE PPL 1.5/STEEL 0.35	Optional
14	33018890	1	BROOM SIDE NYLON 0.5	Optional
14	33021313	1	BROOM SIDE PPL	
16	33022876	1	PIN D.10 LOCKING BRUSH	
17	33018807	1	MOTOR SIDE BROOM KIT	
18	33017889	1	KNOB M10	
19	33018333	1	NUT WING M10	
20	33021766	1	SIDE BROOM LEFT CYLINDER KIT	
24	146 1317 000	1	SPRING	
26	33017003	1	MOTOR SIDE BROOM	
26	33020754	1	GASKETS HYDRAULIC MOT.KIT	For item 33017003
27	33015874	2	ELBOW 90 M1/2	
28	33021255	1	MICRO CYLINDER	
28	33022009	1	GASKET MICRO CYLINDER 16/25/50 KIT	For item 33021255
29	33018375	1	FITTINGS 1/8	
30	33018222	1	FITTING 1/8	
31	33018215	1	DOWEL CALIBRATED M5X6 D. 0.5	
32	33020628	1	HUB BROOM	
33	33019173	1	BROOM LEFT SIDE KIT	NOT SHOWN - Optional - INST.INSTR.CODE 33018767
34	33020336	1	HARDWARE SUPPORT KIT	NOT SHOWN (Pos 25-23-21-22-6-5-4)
35	33020337	1	HARDWARE CYLINDER SIDE BROOM KIT	NOT SHOWN (Pos 15-13-9-8-7-2)
36	33020338	1	HARDWARE SETTING SIDE BROOM KIT	NOT SHOWN (Pos 23-19-18-7-1-3-11)

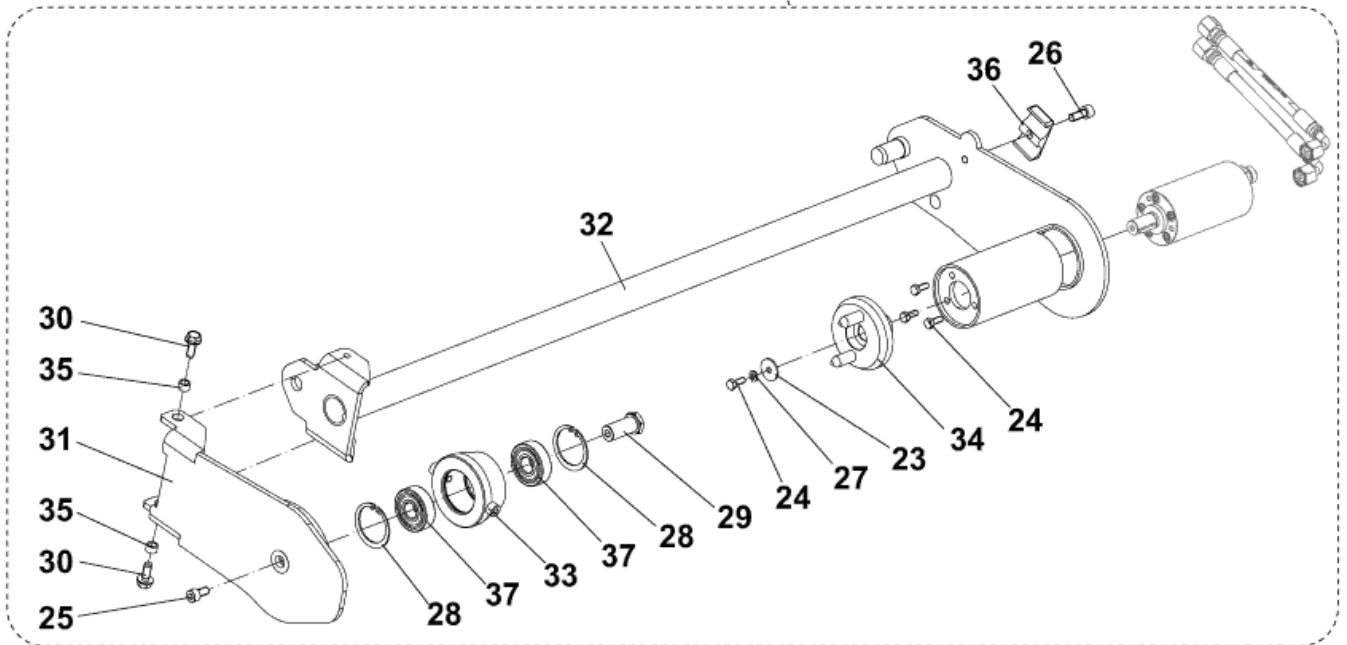
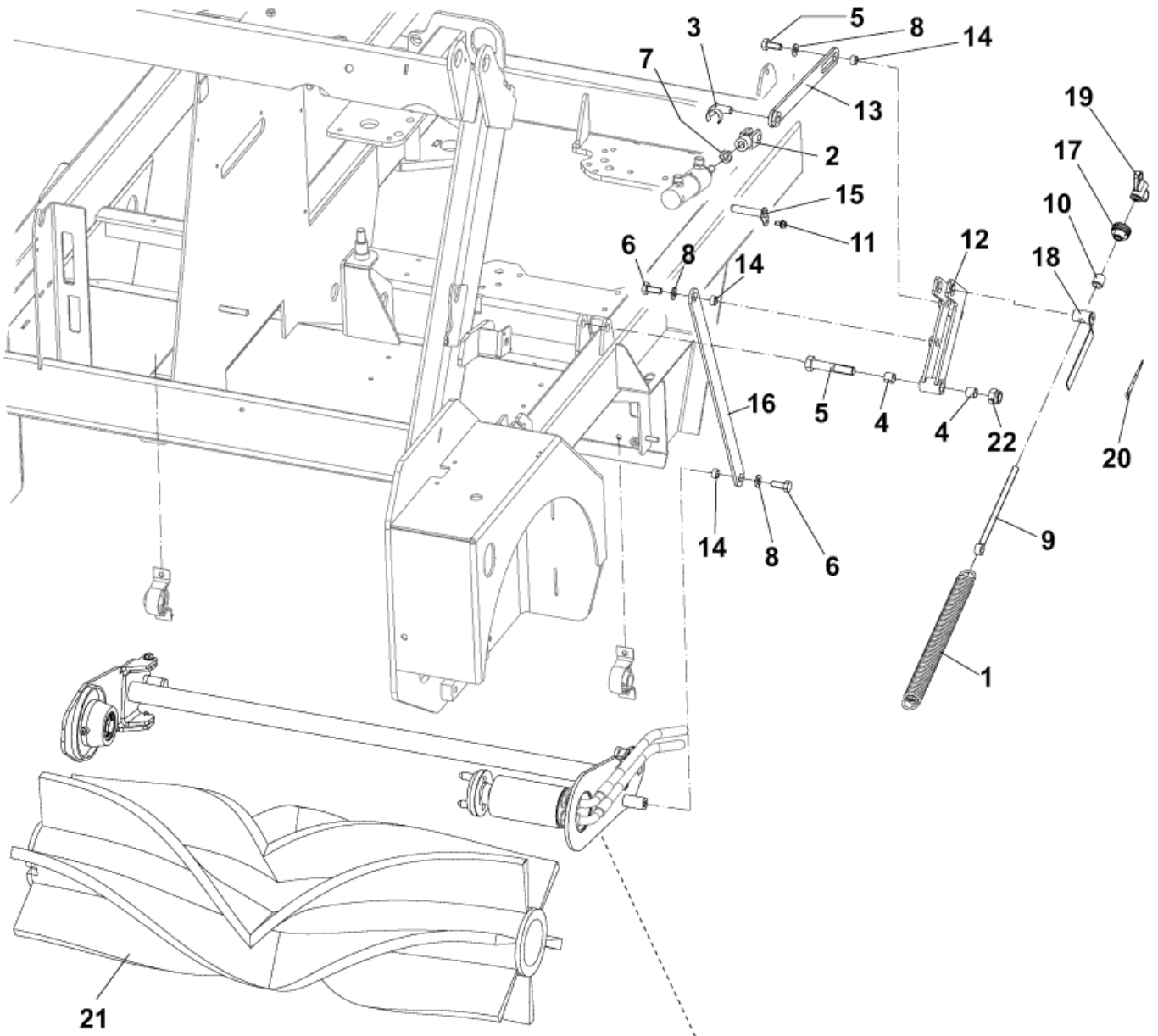
MAIN BROOM ASSY

SR 1601 B

04-12-2013

Part List ID
SR1601B0170

19



MAIN BROOM ASSY

SR 1601 B

04-12-2013

Part List ID
SR1601B0170

20

Pos	Part no.	Qty	Description	
1	33002106	1	SPRING MAIN BROOM	
21	33018852	1	BROOM MAIN CHEVRON NYLON 1.2	Optional
21	33018853	1	BROOM MAIN CHEVRON PPL 0.5 WHITE WAVY	
21	33018854	1	BROOM MAIN CHEVRON PPL d.0.7 WHITE/STEEL	Optional
21	33018855	1	BROOM MAIN CHEVRON UNION MIX	Optional
31	33017007	1	BROOM ARM WELDED	
32	33017019	1	SUPPORT WELDED	
33	33017140	1	MAIN BROOM IDLE HUB	
34	33017141	1	HUB	
38	33018871	1	SUPPORT MOTOR KIT	NOT SHOWN (Pos 30-31-32-35-26-36)
39	33018870	1	BALL BEARING KIT	NOT SHOWN (Pos 25-37-23-24-27-28-29-33-34)
40	33018865	1	PLATE MAIN BROOM KIT	NOT SHOWN (Pos 2-3-6-8-7-15-13-14-11)
41	33018868	1	LEVER WELDT KIT	NOT SHOWN (Pos 12-22-5-4)
42	33018867	1	ROD SPRING KIT	NOT SHOWN (Pos 9-10-17-18-19-20)
43	33018869	1	ROD LEVER KIT	NOT SHOWN (Pos 16-6-8-14)

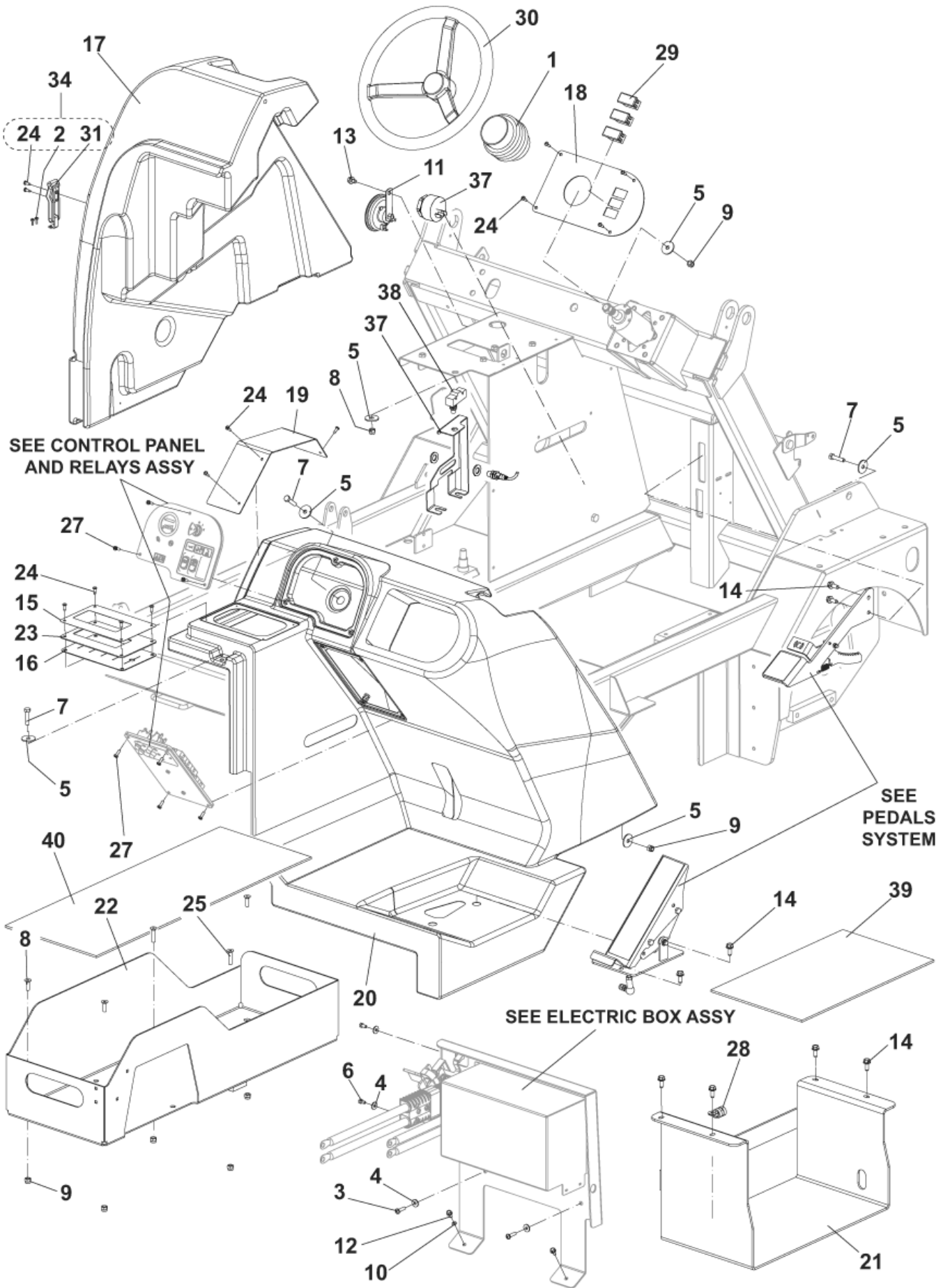
CONTROL ASSEMBLY

SR 1601 B

04-12-2013

Part List ID
SR1601B0190

21



CONTROL ASSEMBLY

SR 1601 B

04-12-2013

Part List ID
SR1601B0190

22

Pos	Part no.	Qty	Description	
1	8-33-02360	1	HOSE- HEAT SHIELD	
11	33009017	1	HORN 48V	
15	33017053	1	DECAL DISTRIBUTOR	
16	33017164	1	FLAP LEVER COVER	
17	33017169	1	COVER SIDE ROTOMOLD	
17	33021154	1	WATER TANK KIT	FOR MAXI VERSION ONLY
18	33017224	1	COVER PLATE NON TILT	STEERING WHEEL
19	33017246	1	PLATE	
20	33017256	1	CONSOLE	
21	33017263	1	SUPPORT RIGHT	
22	33017264	1	SUPPORT LEFT	
23	33017291	1	PLATE MANIFOLD BATT MACH	
26	33017376	1	HARNESS MAIN BATTERY	NOT SHOWN
28	146 2517 000	1	CHOCK RUBBER	
29	909 5836 000	3	CAP	
30	33018170	1	STEERING WHEEL	
34	33018803	1	LATCH KIT	(Pos 31-2-24)
35	33020341	1	HARDWARE CONTROL LEFT KIT	NOT SHOWN (Pos 24-14-13-9-7-5-2)
36	33020342	1	HARDWARE CONTROL RIGHT KIT	NOT SHOWN (Pos 27-25-24-14-13-12-10-9-8-7-6-5-4-3-
37	33022643	1	BUZZER REVERSE GEAR BATTERY KIT	UP TO S/N 38100134500024
38	33010427	1	MICROSWITCH NAIS AM 1307F	
39	33020544	1	MAT BATTERY RIGHT	
40	33020545	1	MAT BATTERY LEFT	

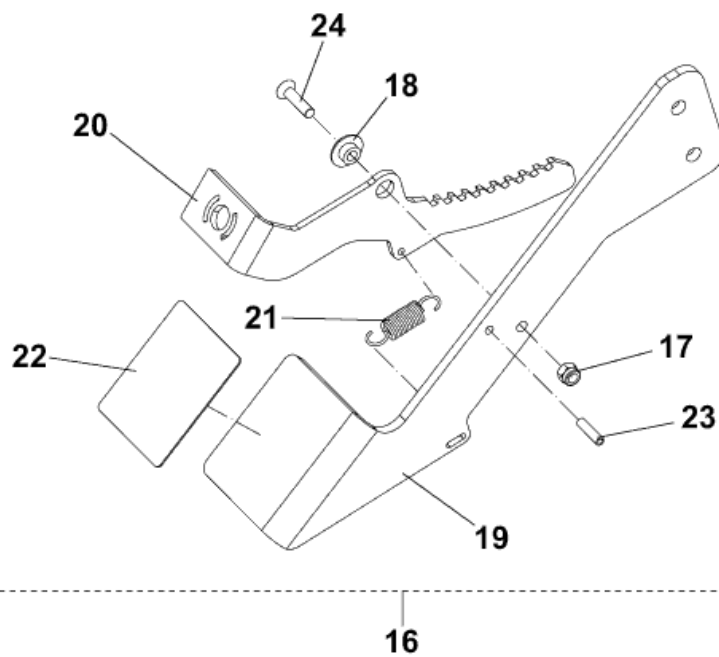
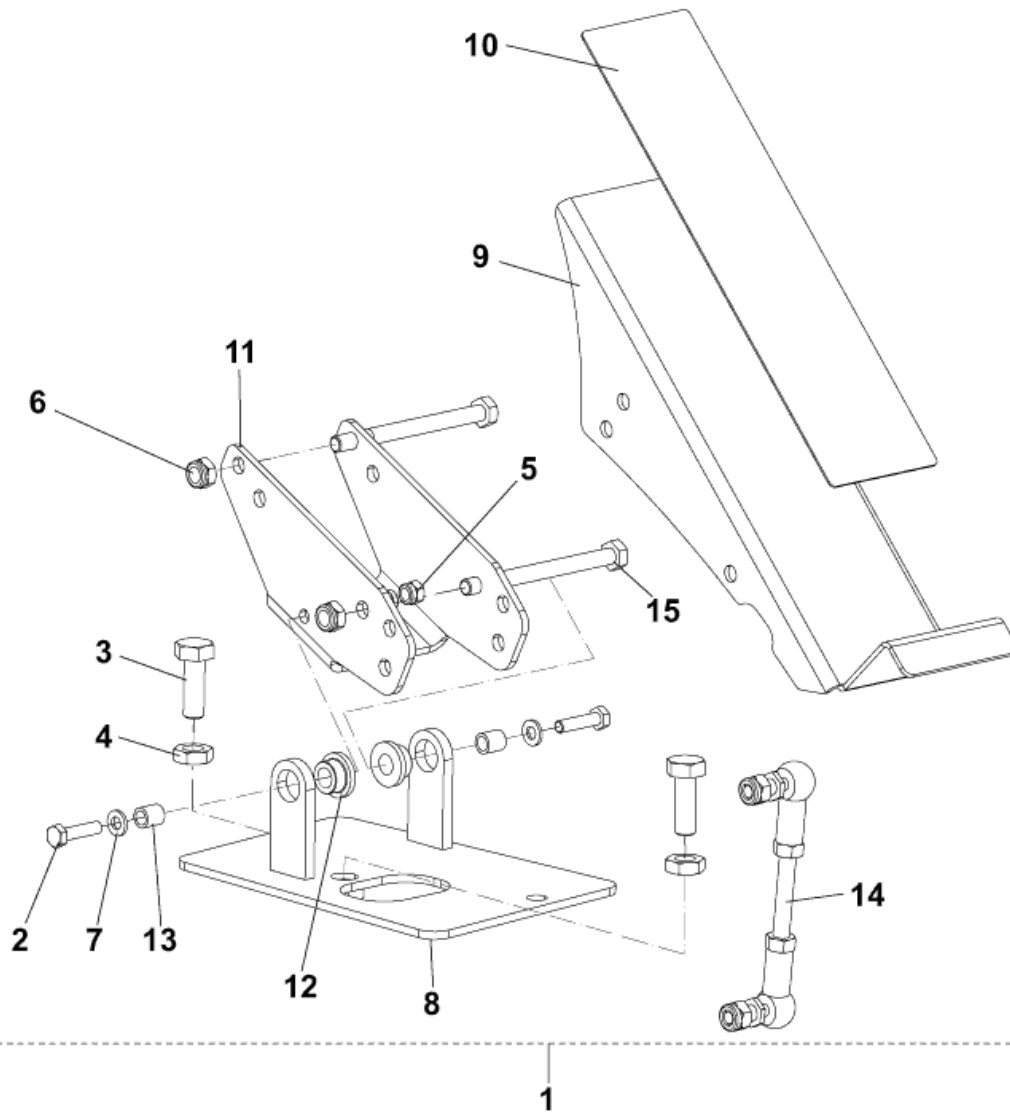
PEDALS SYSTEM

SR 1601 B

04-12-2013

Part List ID
SR1601B0210

23



PEDALS SYSTEM

SR 1601 B

04-12-2013

Part List ID
SR1601B0210

24

Pos	Part no.	Qty	Description	
1	33018841	1	FOOT PEDAL UPPER KIT	(Pos 2-3-4-5-6-7-8-9-10-11-12-13-14-15-25)
8	33017203	1	MOUNT WELDED PEDAL	
9	33017204	1	FOOT PEDAL UPPER	
10	33017205	1	MAT PEDAL	
11	33017206	1	FOOT PEDAL LOWER	
12	33017216	2	BEARING	
13	33017217	2	BUSHING	
14	33018842	1	CONNECTION PEDAL KIT	(Pos 26-27-28-29)
16	33018845	1	PEDAL BRAKE KIT	(Pos 17-18-19-20-21-22-23-24)
18	33017178	1	BUSH	
19	33017197	1	PEDAL BRAKE	
20	33017198	1	PARKING BRAKE LEVER	
21	33017199	1	SPRING	
22	33017259	1	MAT PEDAL	
25	33020416	1	HARDWARE ACC. PEDAL KIT	NOT SHOWN (Pos 13-12-7-6-5-4-3-2)

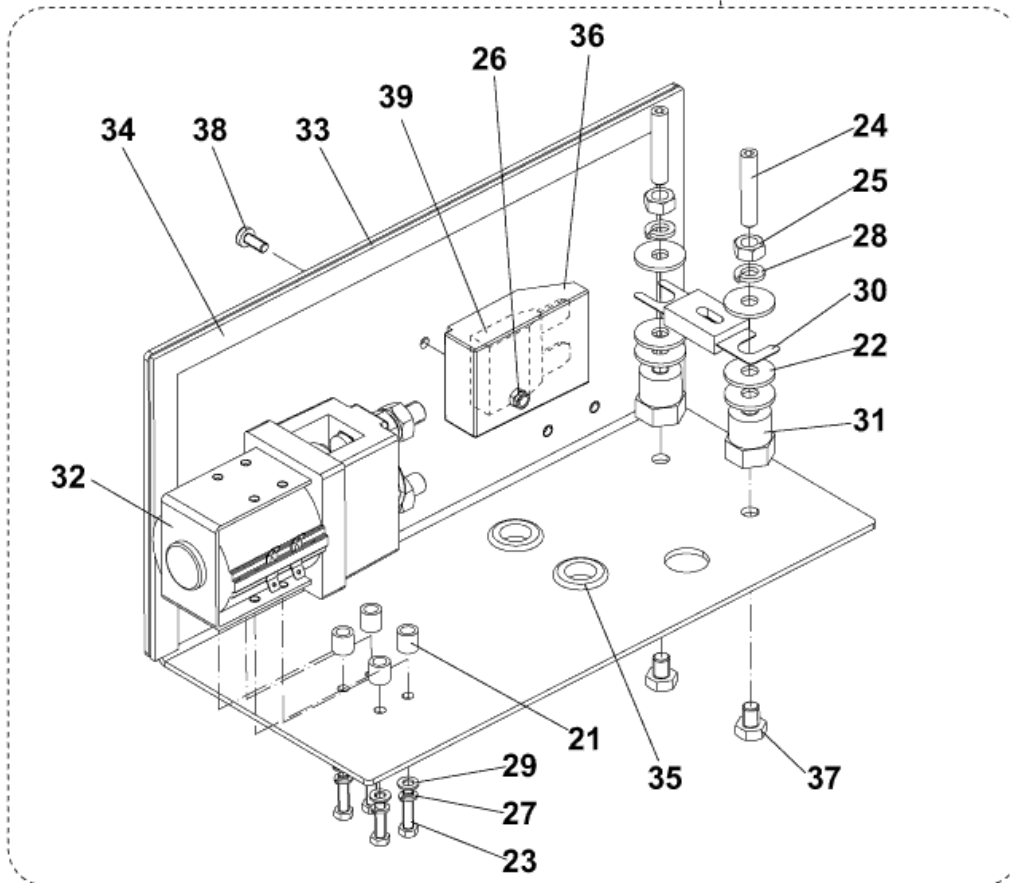
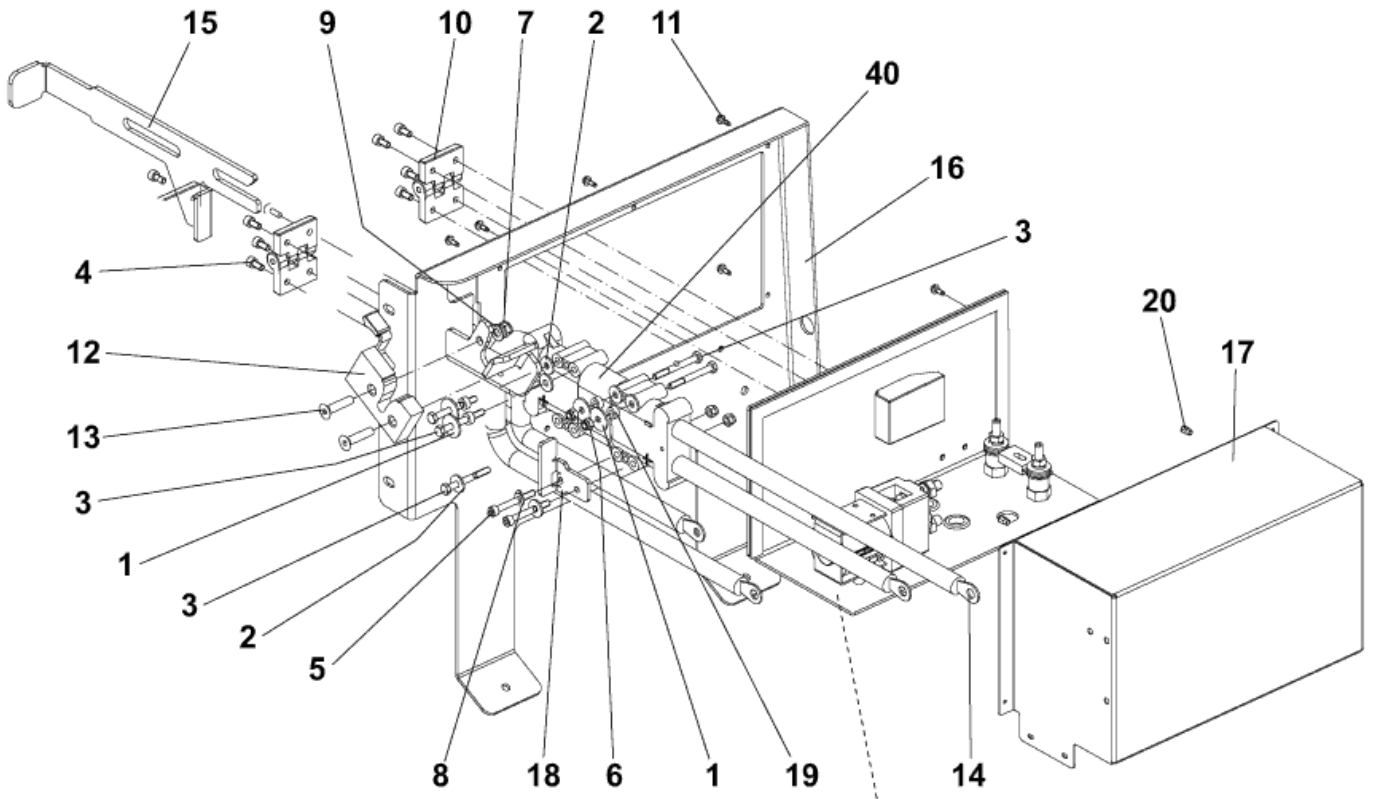
ELECTRIC BOX

SR 1601 B

04-12-2013

Part List ID
SR1601B0230

25



ELECTRIC BOX

SR 1601 B

04-12-2013

Part List ID
SR1601B0230

26

Pos	Part no.	Qty	Description	
10	33009531	2	HINGE	
12	33017176	1	LATCH SLAM	
14	33017362	1	HARNESS ELECTRIC MOTOR	
15	33017393	1	PLATE	
16	33017680	1	PLATE	
17	33017683	1	BOX	
18	33020297	1	BRACKET EMERGENCY DISCONNECT	
30	33008583	1	POWER FUSE 250A	
31	33017365	2	ISOLATOR M8	
32	33017449	1	CONTACTOR UNIPOLAR 48V	
33	33017681	1	COVER	
34	33018876	1	GASKET ADHESIVE 15X5 L.650MM KIT	
36	146 0659 000	1	HOLDER MAXIFUSE	
39	909 5101 000	1	FUSE 30A	
40	33019166	1	CONNECTOR 350 AMP BLUE	
41	33018861	1	BLOCK BONNET KIT	NOT SHOWN (Pos 12-9-7-18-21-2- Rear cover assy -12
42	33020449	1	HARDWARE ELECTRIC BOX KIT	NOT SHOWN (Pos 1-2-3-4-5-6-7-8-9-11-13-19-20-21-22

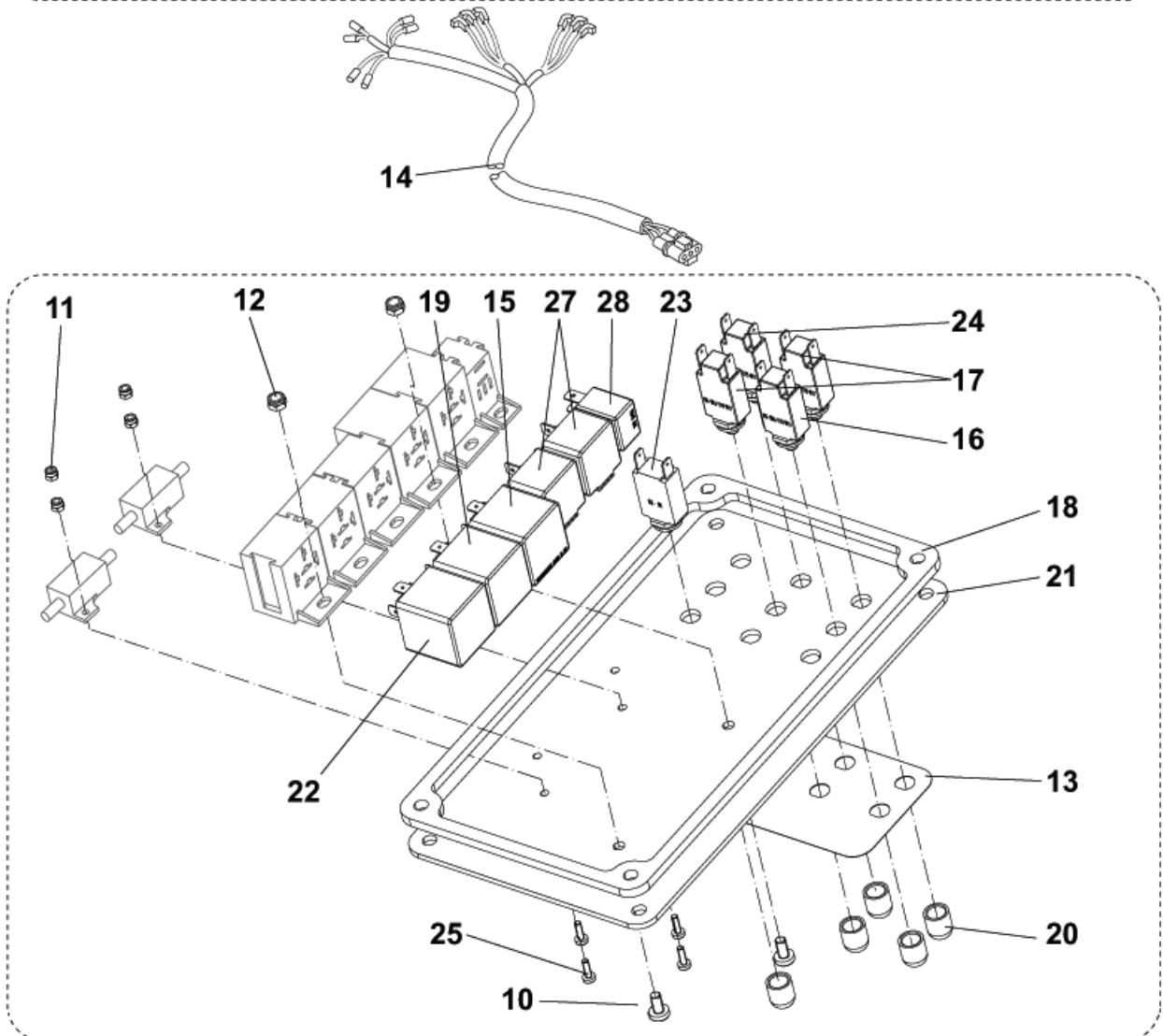
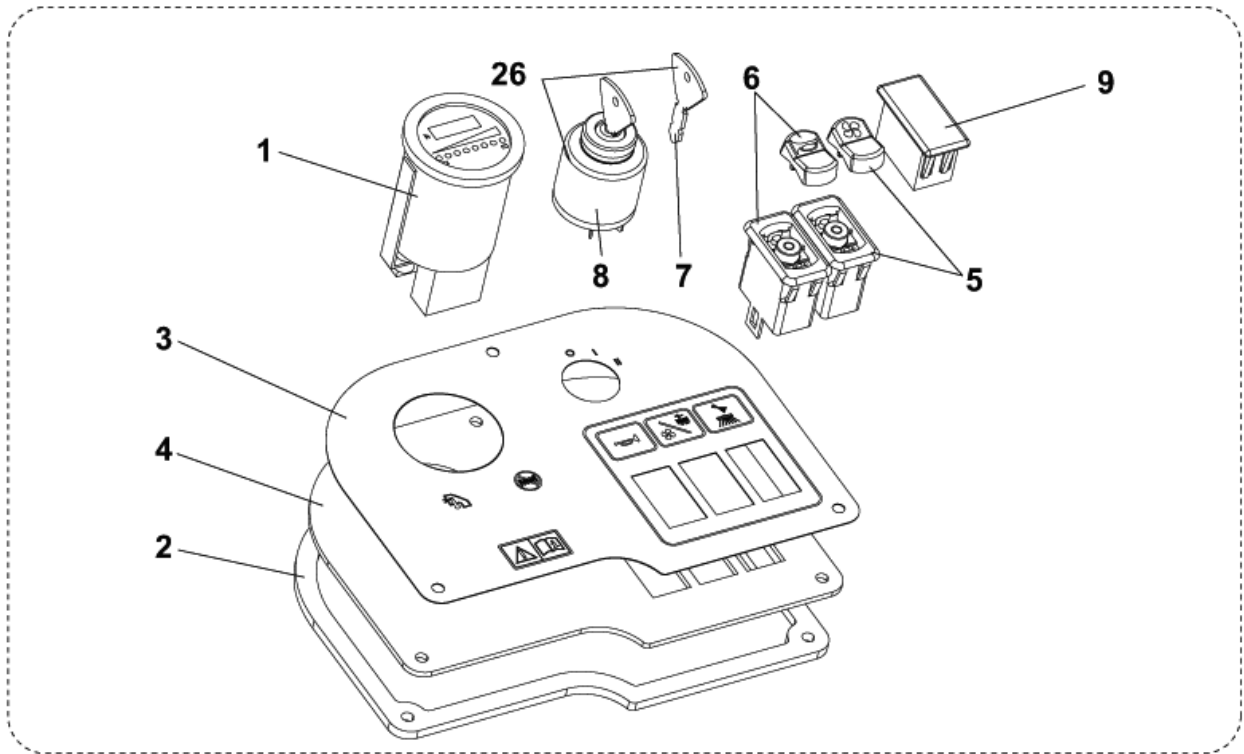
CONTROL PANEL AND RELAYS

SR 1601 B

04-12-2013

Part List ID
SR1601B0250

27



CONTROL PANEL AND RELAYS

SR 1601 B

04-12-2013

Part List ID
SR1601B0250

28

Pos	Part no.	Qty	Description	
1	33017221	1	GAUGE 48V	
2	33017223	1	GASKET PLATE	
3	33017375	1	DECAL GAUGE PANEL BATTERY	
4	33017377	1	PLATE SWITCH PANEL BATTERY	
5	33018843	1	SWITCH SUCTION KIT	
6	33018844	1	SWITCH HORN KIT	
7	146 0073 00	1	KEY	
8	33020442	1	KEY START ASSY WITH SPAREKEY KIT	
9	909 5836 000	1	CAP	
13	33017249	1	DECAL FUSES	
14	33017356	1	HARNESS CONTROL PANEL BATTERY	
15	33017359	1	RELAY TIMER 20 SECONDS	
16	33017360	1	BREAKER CIRCUIT 16A	
17	33017361	2	BREAKER CIRCUIT 10A	
18	33017381	1	GASKET	
19	33017385	1	RELAY TIMER 0.5 SEC.	
20	33017386	5	BOOT CIRCUIT BREAKER	
21	33017414	1	PLATE SWITCH PANEL	
22	33019197	1	RELAY TIMER 0.5 SECONDS	
23	33020276	1	BREAKER CIRCUIT 3A	
24	33020282	1	BREAKER CIRCUIT 5A	
26	33020442	1	KEY START ASSY WITH SPAREKEY KIT	(Pos 8-7)
27	909 6622 000	2	RELAY 24V 40A	
28	146 1646 000	1	RELAY 24V	
29	33017330	1	CONNETTOR SWITCH COMPLETE	NOT SHOWN

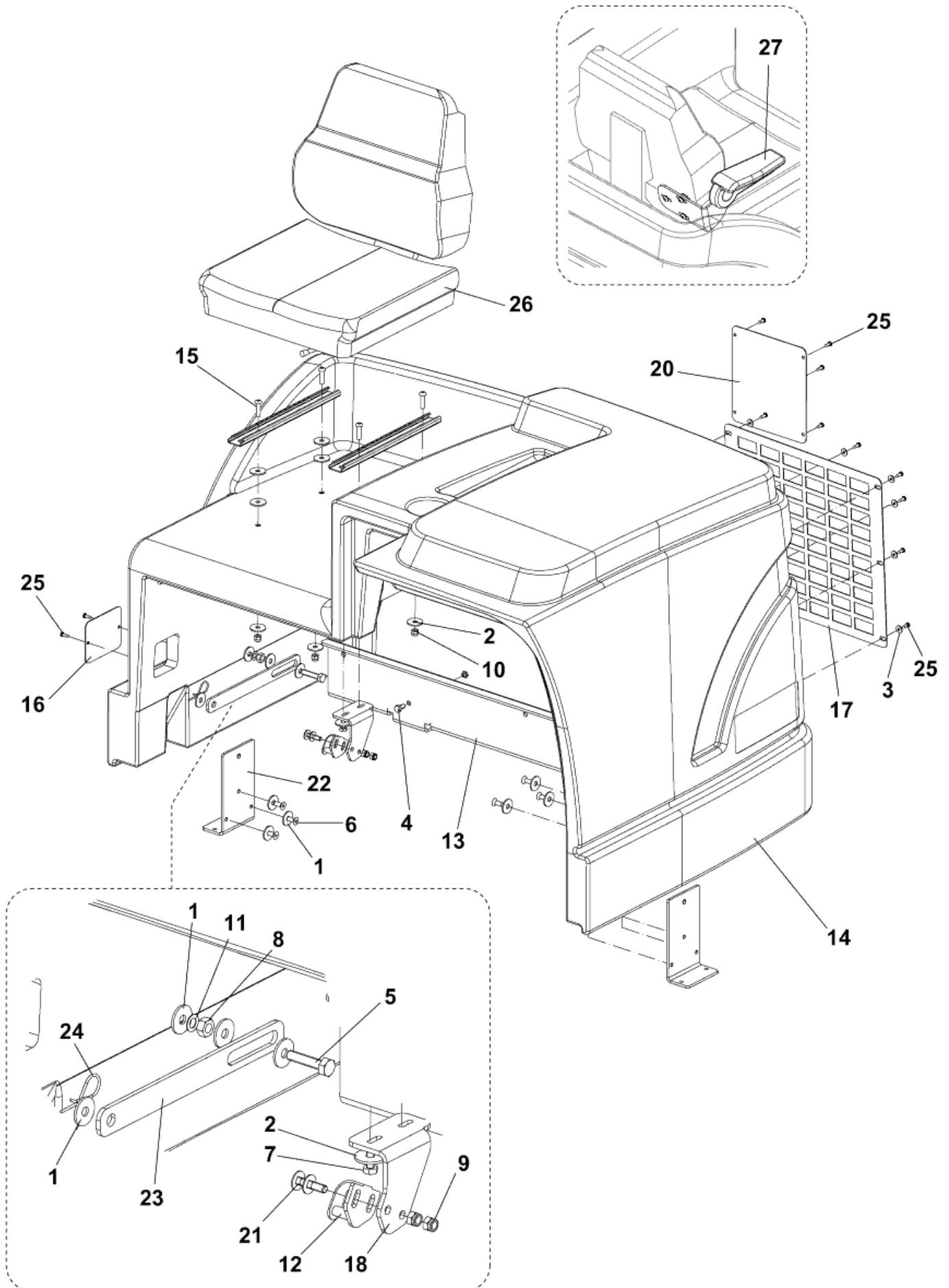
REAR COVER ASSY

SR 1601 B

04-12-2013

Part List ID
SR1601B0270

29



REAR COVER ASSY

SR 1601 B

04-12-2013

Part List ID
SR1601B0270

30

Pos	Part no.	Qty	Description	
12	33017177	1	CATCH LATCH	
13	33017213	1	BRACKET HINGE	
14	33017230	1	COVER ENGINE	
16	33017245	1	PLATE SIDE SMALL BATTERY	
16	33017357	1	HARNES REAR COVER BATTERY VERSION	NOT SHOWN
17	33017247	1	GRILL REAR	
18	33017261	1	PLATE CATCH	
20	33017368	1	PLATE SMALL BATTERY	
22	33018685	2	BRACKET FOR STOP COVER	
23	33018687	2	ROD CONNECTING STOP COVER	
26	145 5975 000	1	SEAT	
27	33019556	1	ARM REST RIGHT SIDE KIT	Optional
28	33019554	1	BELT SEAT KIT	NOT SHOWN - Optional
29	33018862	1	BONNET BLOCK KIT	NOT SHOWN
30	33019103	1	REINFORCEMENT BONNET KIT	NOT SHOWN
31	33020340	1	HARDWARE REAR COVER KIT	NOT SHOWN (Pos 1-2-3-4-5-6-7-8-9-10-11-15-21-24-25)

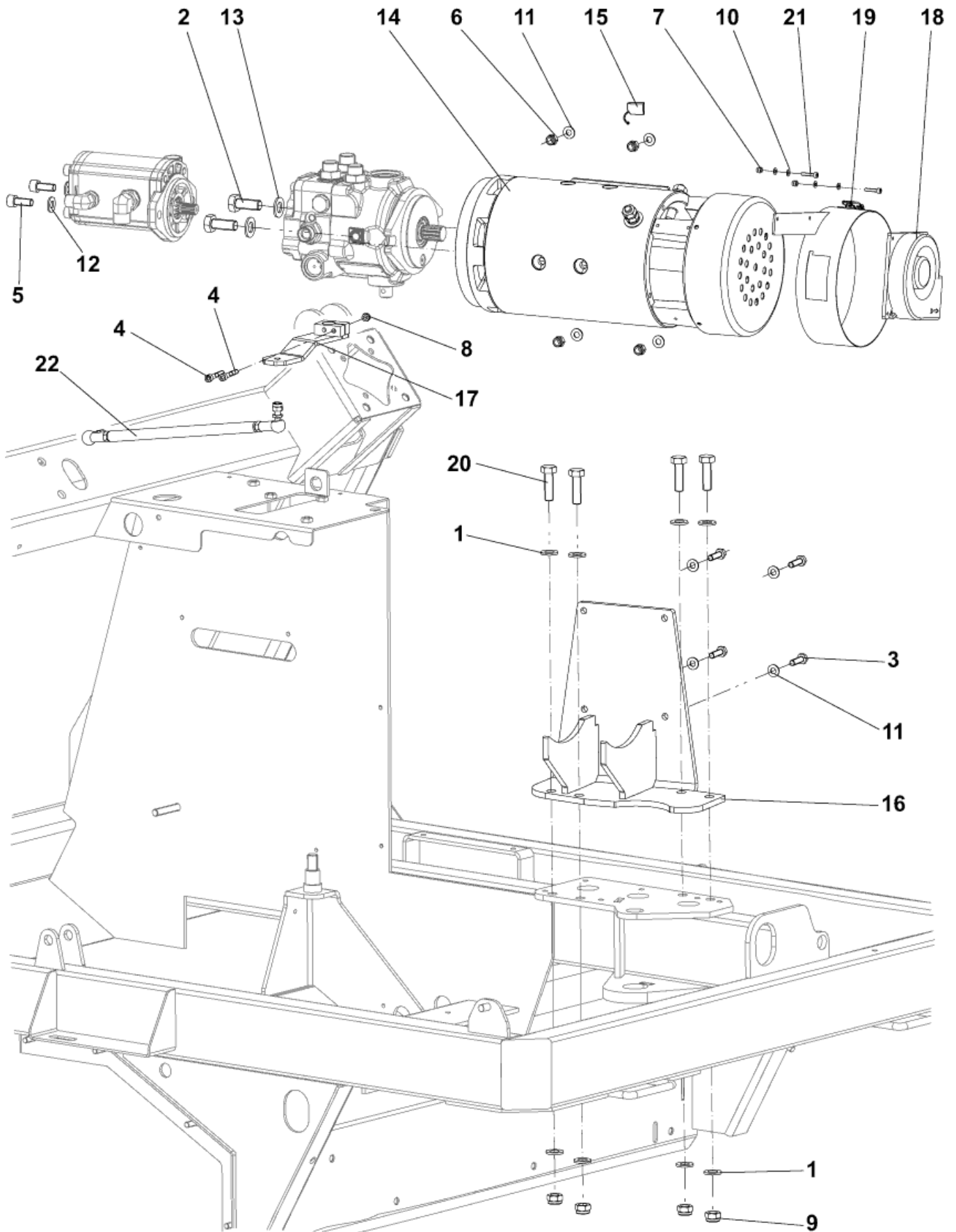
ELECTRIC MOTOR ASSY

SR 1601 B

04-12-2013

Part List ID
SR1601B0290

31



ELECTRIC MOTOR ASSY

SR 1601 B

04-12-2013

Part List ID
SR1601B0290

32

Pos	Part no.	Qty	Description	
14		1	MOTOR ELECTRIC 48V 7 KW	
15	33019625	1	CARBON BRUSHES KIT 4 PCS	for motor 33017260
15	33022548	1	CARBON BRUSHES KIT 8 PCS	
16	33017364	1	SUPPORT MOTOR ELECTRIC 48V	UP TO S/N 3810114600046
17	33017382	1	LEVER PUMP BATTERY	
18	33019568	1	FAN COOLING 48V 5.8W DC	for motor 33017260
19	33019569	1	BAND ELECTRIC MOTOR	for motor 33017260
22	33022170	1	CONNECTION PEDAL BATTERY KIT	STARTING FROM S/N 3810114600047
23	33020450	1	HARDWARE ELECTRIC MOTOR KIT	NOT SHOWN (Pos 1-2-3-4-5-6-7-8-9-10-11-12-13-20-21)

POSITION 14. 33017260 IS GOING OUT OF STOCK IT WILL BE REPLACED BY POSITION 5. 33022549
POSITION 15 33019625 VALID FOR MOTOR 33017260

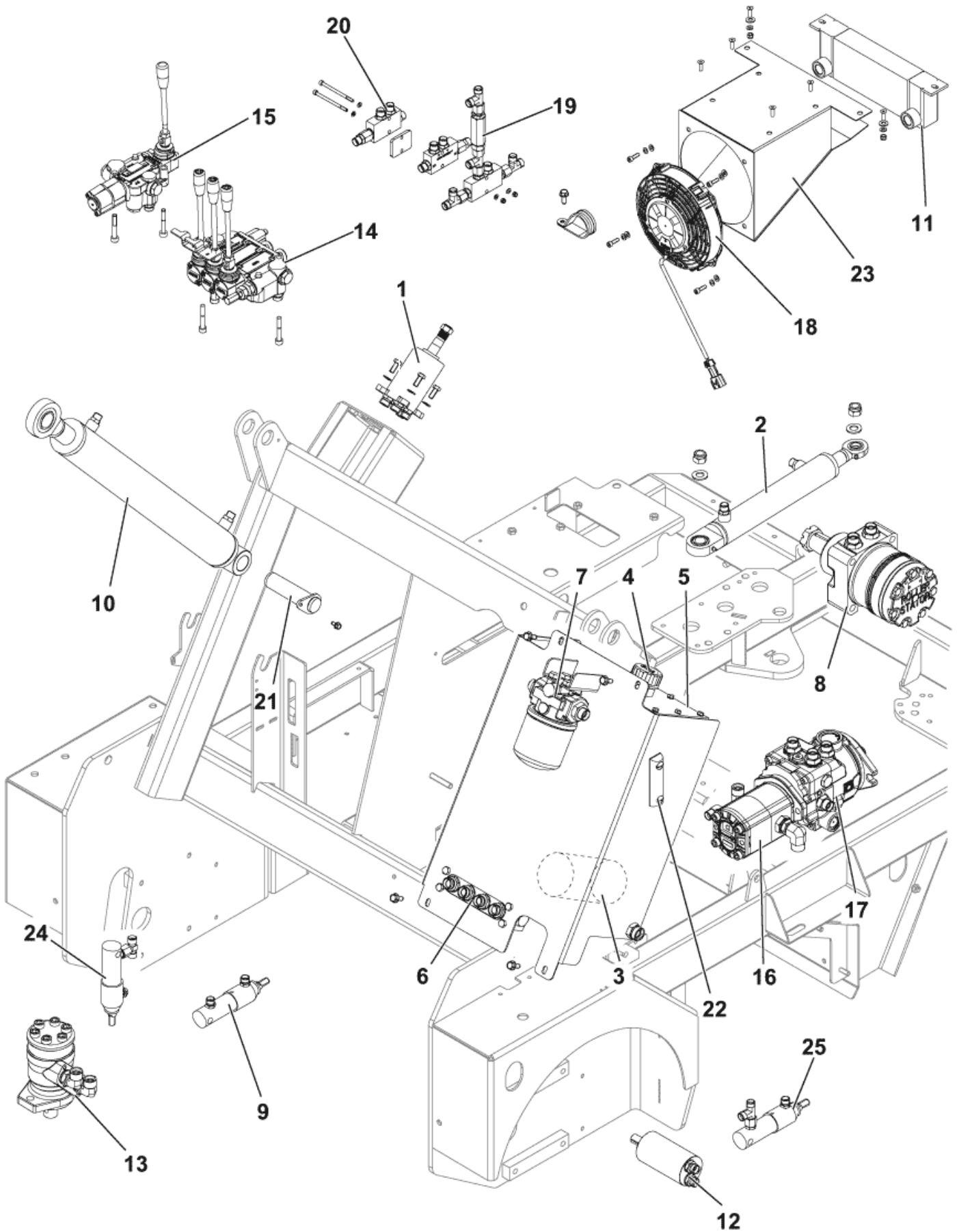
HYDRAULIC PLAN ASSY 1

SR 1601 B

04-12-2013

Part List ID
SR1601B0310

33



HYDRAULIC PLAN ASSY 1

SR 1601 B

04-12-2013

Part List ID
SR1601B0310

34

Pos	Part no.	Qty	Description	
1	33022033	1	GASKET STEERING UNIT KIT	For Item 33022286 - 33022292
1	33022286	1	STEERING WHEEL KIT	For Version 13300149
1	33022292	1	STEERING UNIT KIT	For Version 13300103
2	33018808	1	CYLINDER POWER STEERING KIT	(Pos 23-2 Hydraulic plant assy 3)
3	33010199	1	FILTER HYDRAULIC OIL	
4	33011530	1	PLUG	
5	33001307	1	GASKET	
6	33018809	1	TANK OIL KIT	(Pos 22-17-20-21-19-18 Hydraulic plant assy 2)
7	33018810	1	FILTER PRESSURE KIT	(Pos 10-11 Hydraulic plant assy 2)
8	33019737	1	MOTOR DRIVE KIT	(Pos 21-22 Hydraulic plant assy 3)
9	33018802	1	MICRO CYLINDER KIT	(Pos 13-14-15-16 Hydraulic plant assy 2)
10	33018811	1	CYLINDER LIFTING CONTAINER KIT	(Pos 1-2-3-4-27 Hydraulic plant assy 3)
10	33021068	1	ADAPTATION FOR CYLINDER WITH JOINT	for ref. 33018811 - for machine after s.n. 1032060
11	33022413	1	RADIATOR OIL	
12	33018872	1	MOTOR MAIN BROOM KIT	(Pos 8-1 Hydraulic plant assy 2)
13	33018807	1	MOTOR SIDE BROOM KIT	(Pos 23-24 Hydraulic plant assy 2)
14	33018812	1	DISTRIBUTOR 3 ELEMENTS KIT	(Pos 2-3-4-5-6-7 Hydraulic plant assy 2)
15	33018815	1	DISTRIBUTOR 1 ELEMENT KIT	(Pos 1-7-9 Hydraulic plant assy 2)
16	33020224	1	PUMP HYDRAULIC TWIN	(Pos 17-18-19-20-25 Hydraulic plant assy 3)
17	33022094	1	GASKET FOR HYDRAULIC PUMP KIT P01	For Item 33022111
17	33022111	1	PUMP PISTON P01 KIT	(Pos 22-24-26 Hydraulic plant assy 3)
18	33020222	1	FAN AXIAL 48V	
19	33018817	1	CHECK VALVE 1/4 DUAL PILOT KIT	(Pos 6-12-13-14-15-16 Hydraulic plant assy 3)
20	33018840	2	CUTOFF VALVE KIT	(Pos 10-2 Hydraulic plant assy 3)
21	33020853	1	PIN HYDRAULIC CYLINDER	
22	33011529	1	OIL LEVEL	
23	33020265	1	CONVEYOR FOR AIR COOLER	
24	33021767	1	SIDE BROOM RIGHT CYLINDER KIT	(Pos 13-14-15-25-26-27 Hydraulic plant assy 2)
25	33021765	1	MAIN BROOM CYLINDER KIT	(Pos 5-6-7-8-9 Hydraulic plant assy 3)
26	33020339	1	HARDWARE HYDRAULIC KIT	NOT SHOWN

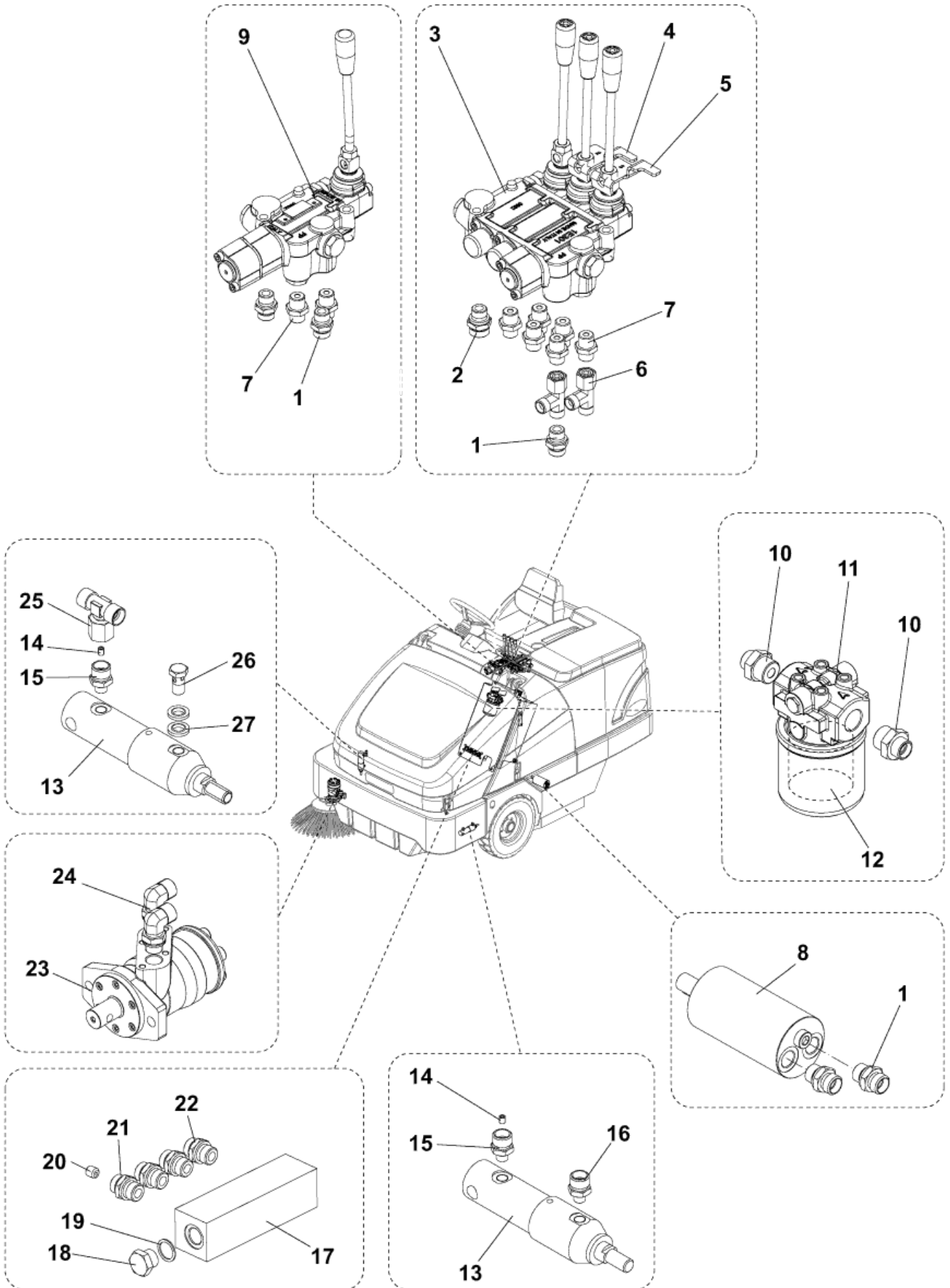
HYDRAULIC PLAN ASSY 2

SR 1601 B

04-12-2013

Part List ID
SR1601B0330

35



HYDRAULIC PLAN ASSY 2

SR 1601 B

04-12-2013

Part List ID
SR1601B0330

36

Pos	Part no.	Qty	Description	
1	33015917	5	FITTING MALE 3/8 BSP - M12L	
2	33016018	1	FITTING MALE 3/8 BSP - M15L	
3	33017052	1	DISTRIBUTOR	
4	33017752	1	BRACKET SECOND LEVER MANIFOLD	
5	33017753	1	BRACKET THIRD LEVER MANIFOLD	
6	145 5163 000	2	PIPE FITTING	
7	146 0505 000	8	PIPE FITTING 3/8 D.10	
8	33017004	1	MOTOR MAIN BROOM	
8	33020765	1	GASKET HYDRAULIC PUMP KIT	For Item 33017004
9	33017676	1	DISTRIBUTOR	
10	33015348	2	PIPE FITTING	
11	33017431	1	FILTER MEDIUM PRESSUR	
12	33017595	1	CARTRIDGE OIL FILTER	
13	33021255	2	MICRO CYLINDER	
13	33022009	1	GASKET MICRO CYLINDER 16/25/50 KIT	For Item 33021255
14	33018215	2	DOWEL CALIBRATED M5X6 D. 0.5	
15	33018222	2	FITTING 1/8	
16	33018375	1	FITTINGS 1/8	
17	33017432	1	BLOCK HYD. HOSES	
18	33011456	1	PLUG 1/2	
19	145 4291 000	1	GASKET COPPER 1/2	
20	33018675	1	DOWEL M12 DIAM 4	
21	33018676	1	PIPE FITTING 1/2 D.15	
22	33015757	3	FITTING MALE 1/2 - M15L	
23	33017003	1	MOTOR SIDE BROOM	
23	33020754	1	GASKETS HYDRAULIC MOT.KIT	For Item 33017003
24	33015874	2	ELBOW 90 M1/2	
25	146 0507 000	1	PIPE FITTING T D.10	
26	146 0093 00	1	BANJO BOLT 1/8 G	
27	145 6020 000	2	WASHER 1/8	

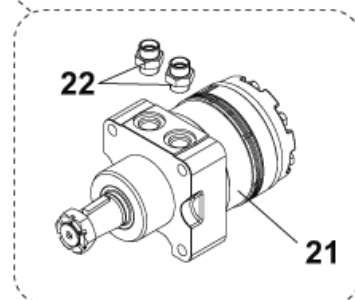
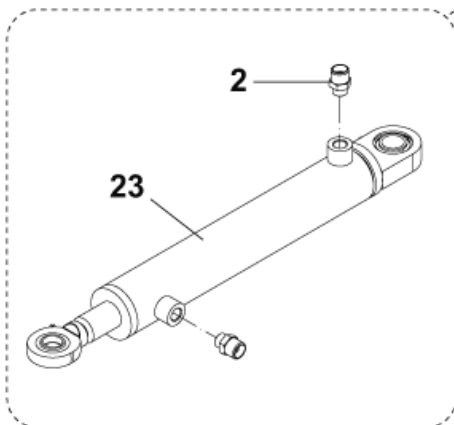
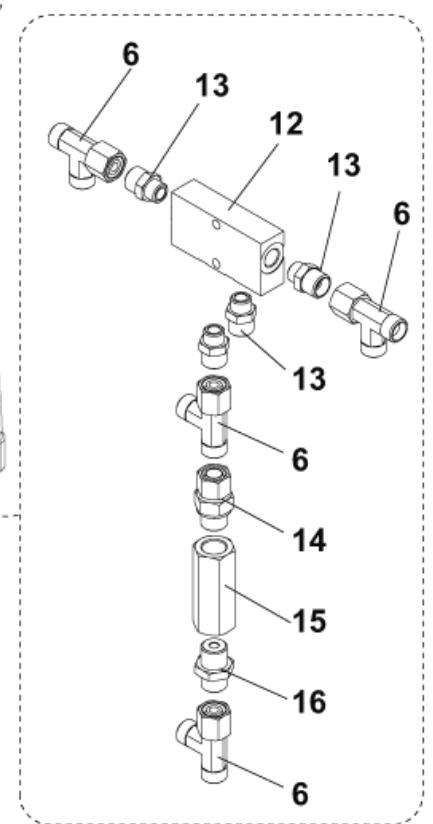
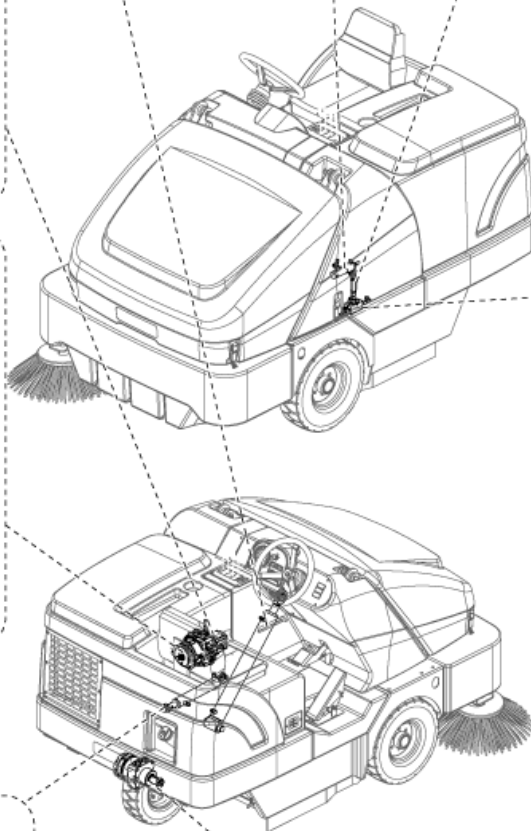
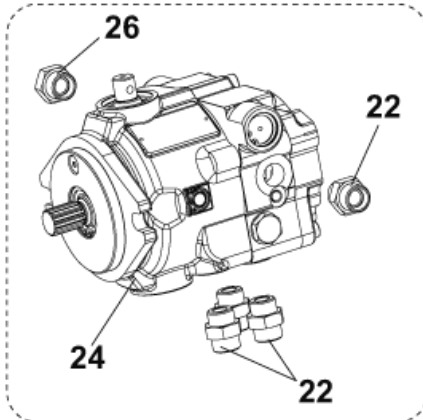
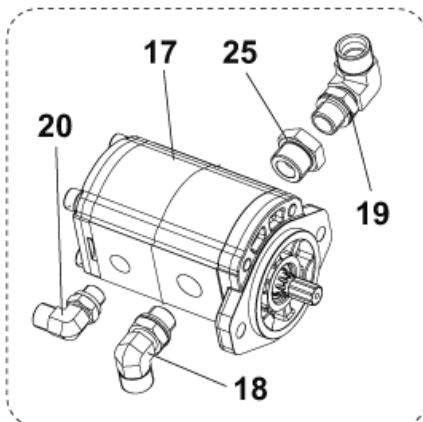
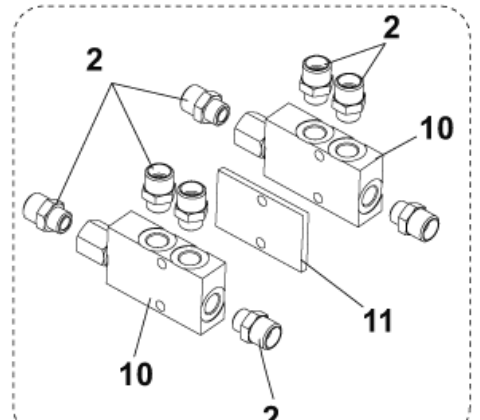
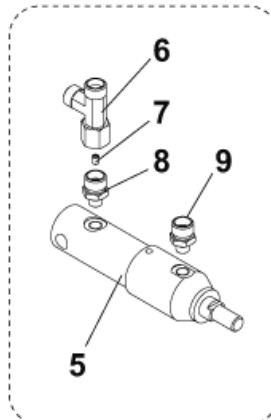
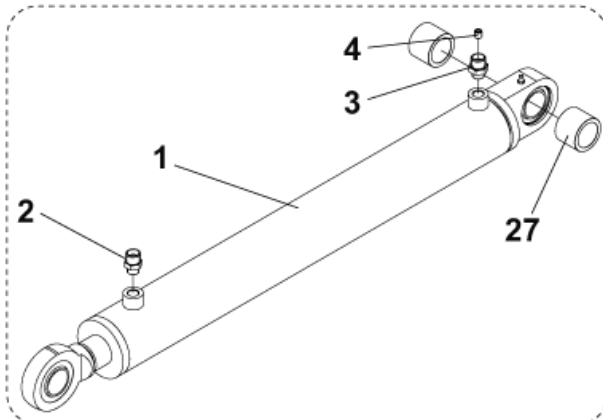
HYDRAULIC PLAN ASSY 3

SR 1601 B

04-12-2013

Part List ID
SR1601B0350

37



HYDRAULIC PLAN ASSY 3

SR 1601 B

04-12-2013

Part List ID
SR1601B0350

38

Pos	Part no.	Qty	Description	
1	33011777	1	GASKET KIT	For Item 33021257
1	33021257	1	CYLINDER HOPPER LIFT	
2	146 2977 000	11	PIPE FITTING 1/4 D. 10	
3	33018221	1	FITTING 1/4	
4	33019272	1	DOWEL CALIBRATED M8X8 D.1	
5	33021255	1	MICRO CYLINDER	
5	33022009	1	GASKET MICRO CYLINDER 16/25/50 KIT	
6	145 5163 000	5	PIPE FITTING	
7	33018215	1	DOWEL CALIBRATED M5X6 D. 0.5	
8	33018222	1	FITTING 1/8	
9	33018375	1	FITTINGS 1/8	
10	33022294	2	CHECK VALVE 1/4 SINGLE PILOT	
11	33019712	1	PLATE VALVES	
12	33010486	1	CHECK VALVE 1/4 DUAL PILOT OPERATED	
13	146 2977 000	4	PIPE FITTING 1/4 D. 10	
14	33018220	1	FITTINGS M3/8-F10L	
15	33010481	1	VALVE 3/8 NONRETURN	
16	146 0505 000	1	PIPE FITTING 3/8 D.10	
17	33020224	1	PUMP HYDRAULIC TWIN	
17	33020755	1	GASKETS HYDRAULIC MOT.KIT	For Item 33020224
18	33015874	1	ELBOW 90 M1/2	
19	33016362	1	ELBOW	SEE NOTE "A"
19	33022395	1	ADAPTER 90 CYL 3/4 M-M BSP	NOT SHOWN - SEE NOTE "B"
20	33017808	1	ELBOW	
21	33017436	1	MOTOR DRIVE BATTERY MACHINE	
21	33020753	1	GASKETS HYDRAULIC MOT.KIT	For Item 33017436
22	33015757	5	FITTING MALE 1/2 - M15L	
23	33011774	1	GASKET KIT CYL FLAP/SIDE	For Item 33015757
23	33021256	1	CYLINDER STEERING	
24	33010508	1	FITTING QUICK 1/4	
25	145 8867 000	1	CAP 3/4 -1/2 MF	SEE NOTE "A"
25	33022396	1	ADAPTER 90 CYL 3/4 M-F BSP	NOT SHOWN - SEE NOTE "B"
26	33022090	1	WRENCH 14	

position 27 not available as single spare

note "A": POS. 19 - 33016362 - valid for machine code 13300149 BEFORE S.N. 3810123600009

note "B": POS. 19 - 33022395 - valid for machine code 13300149 STARTING S.N. 3810123600009

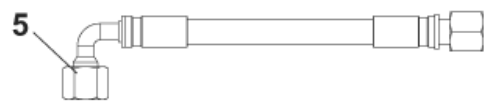
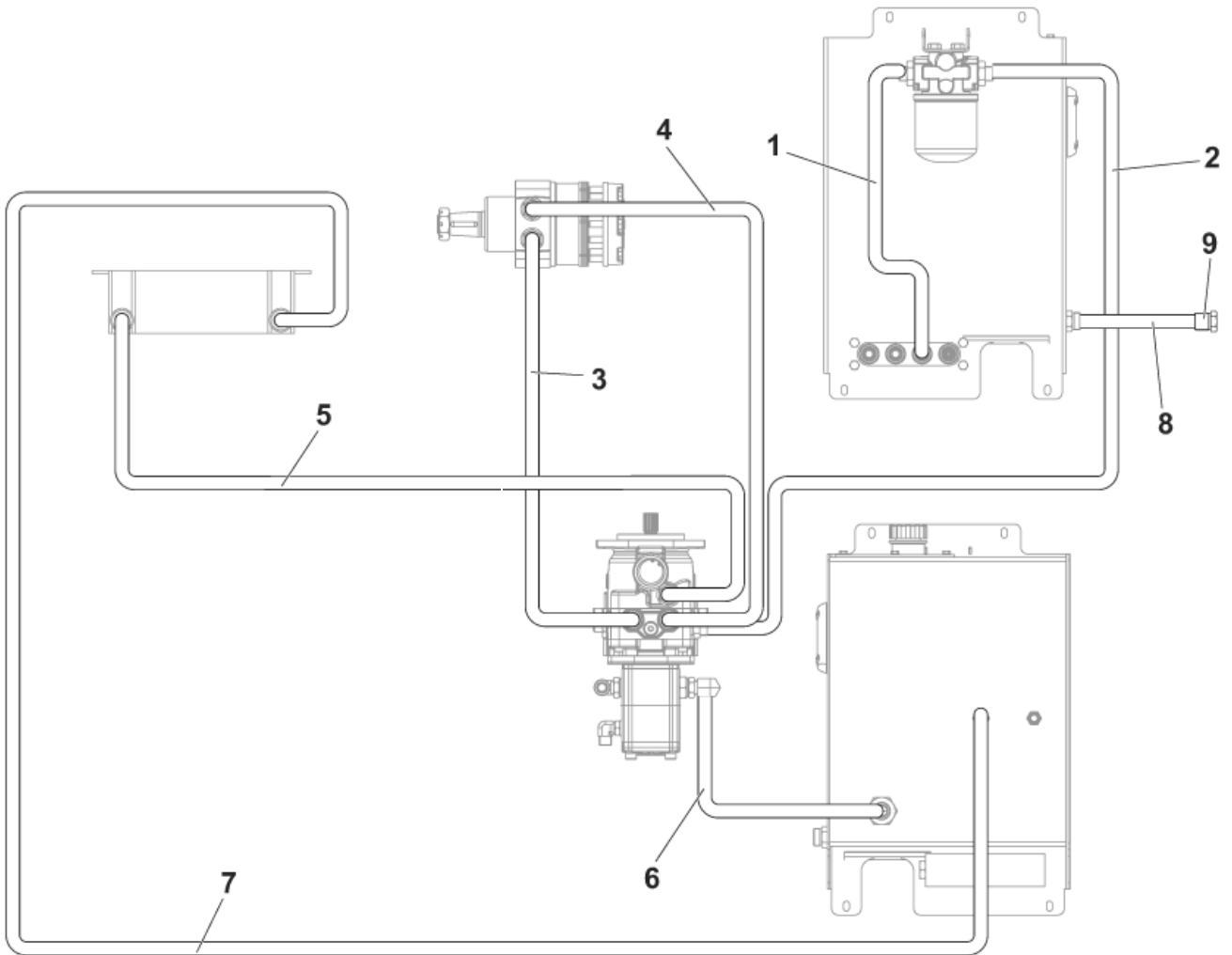
DRIVE MOTOR SCHEME

SR 1601 B

04-12-2013

Part List ID
SR1601B0370

39



DRIVE MOTOR SCHEME

SR 1601 B

04-12-2013

Part List ID
SR1601B0370

40

Pos	Part no.	Qty	Description	
1	33017649	1	HOSE HYDRAULIC 1/2 L 450	
2	33018632	1	HOSE HYDRAULIC 1/2 L 1500	
3	33017641	1	HOSE HYDRAULIC 1/2 L 1470	
4	33017630	1	HOSE HYDRAULIC 1/2 L 1470	
5	33019639	1	HOSE HYDRAULIC 1/2 L 1120	
6	33017651	1	HOSE HYDRAULIC 3/4 L 900	SEE NOTE "A"
6	33022399	1	HOSE HYDRAULIC R1AT 3/4 L 840	NOT SHOWN - SEE NOTE "B"
7	33019640	1	HOSE HYDRAULIC 1/2 L 1115	

note "A": POS. 6 - 33017651 - valid for machine code 13300149 BEFORE S.N. 3810123600009

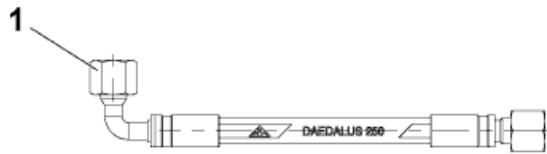
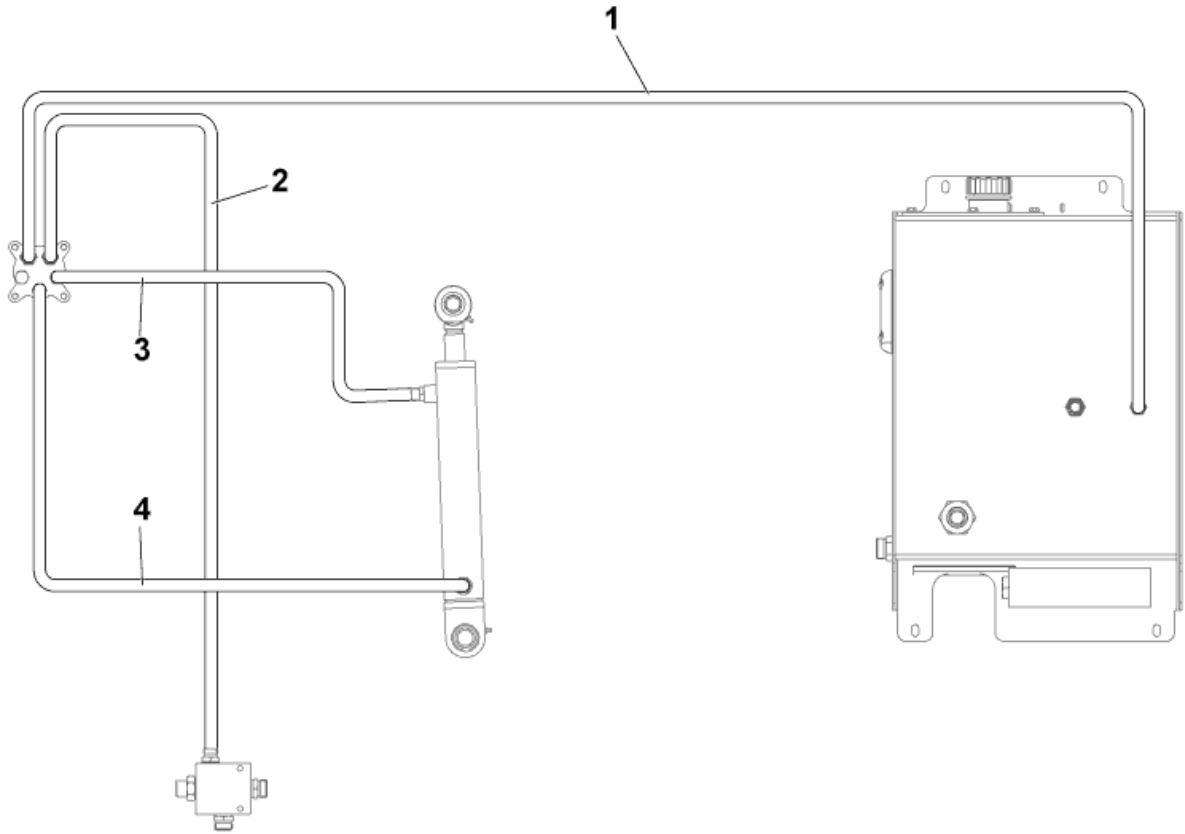
STEERING SCHEME

SR 1601 B

04-12-2013

Part List ID
SR1601B0390

41



STEERING SCHEME

SR 1601 B

04-12-2013

Part List ID
SR1601B0390

42

Pos	Part no.	Qty	Description
1	33020136	1	HOSE HYDRAULIC 3/8 L 1200
2	33020137	1	HOSE HYDRAULIC 3/8 L 1380
3	33017622	1	HOSE HYDRAULIC 1/4 L 1320
4	33017625	1	HOSE HYDRAULIC 1/4 L 1150

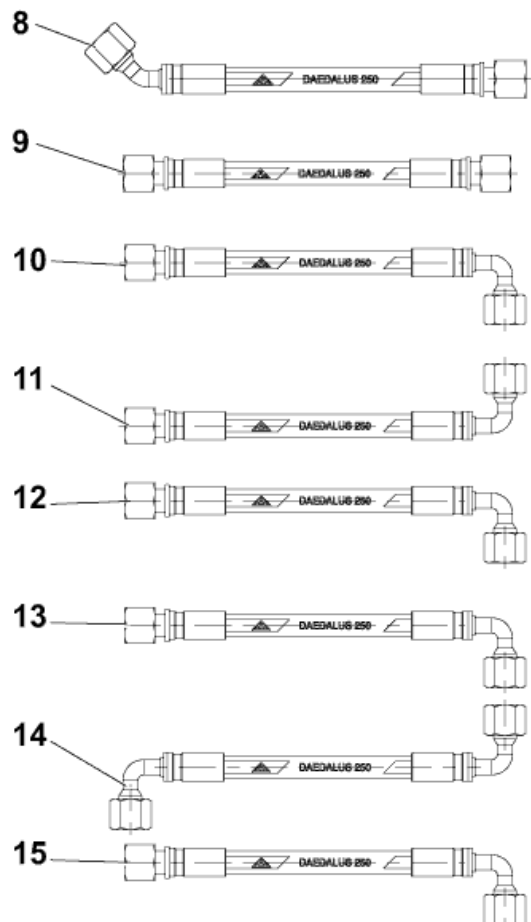
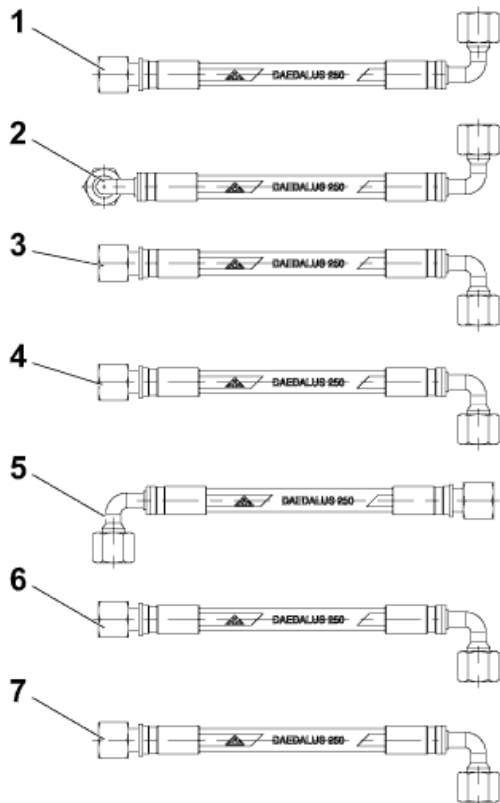
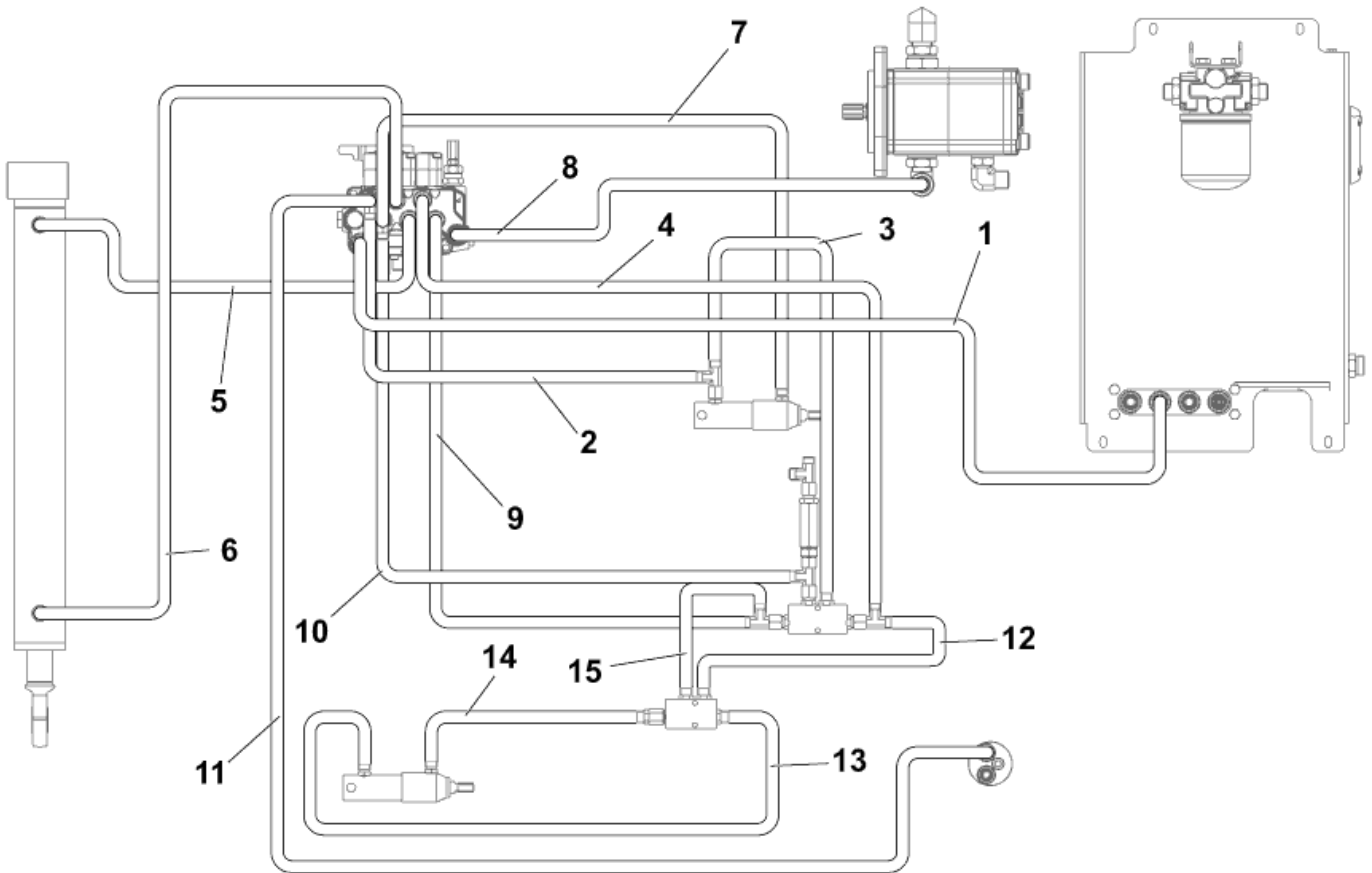
FLAP AND HOPPER SCHEME

SR 1601 B

04-12-2013

Part List ID
SR1601B0410

43



FLAP AND HOPPER SCHEME

SR 1601 B

04-12-2013

Part List ID
SR1601B0410

44

Pos	Part no.	Qty	Description
1	33017650	1	HOSE HYDRAULIC 1/2 L 1050
2	33017635	1	HOSE HYDRAULIC 1/4 L 1580
3	33017634	1	HOSE HYDRAULIC 1/4 L 500
4	33017628	1	HOSE HYDRAULIC 1/4 L 1100
5	33017652	1	HOSE HYDRAULIC 1/4 L 650
6	33017627	1	HOSE HYDRAULIC 1/4 L 460
7	33017632	1	HOSE HYDRAULIC 1/4 L 1650
8	33020284	1	HOSE HYDRAULIC 1/2 L 340
9	33017653	1	HOSE HYDRAULIC 1/4 L 1500
10	33017633	1	HOSE HYDRAULIC 1/4 L 1390
11	33017655	1	HOSE HYDRAULIC 3/8 L 1350
12	33019714	1	HOSE HYDRAULIC 1/4 L 450
13	33017638	1	HOSE HYDRAULIC 1/4 L 2790
14	33017647	1	HOSE HYDRAULIC 1/4 L 2320
15	33019713	1	HOSE HYDRAULIC 1/4 L 450

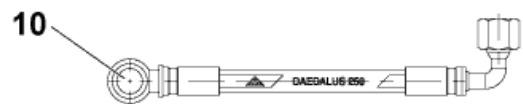
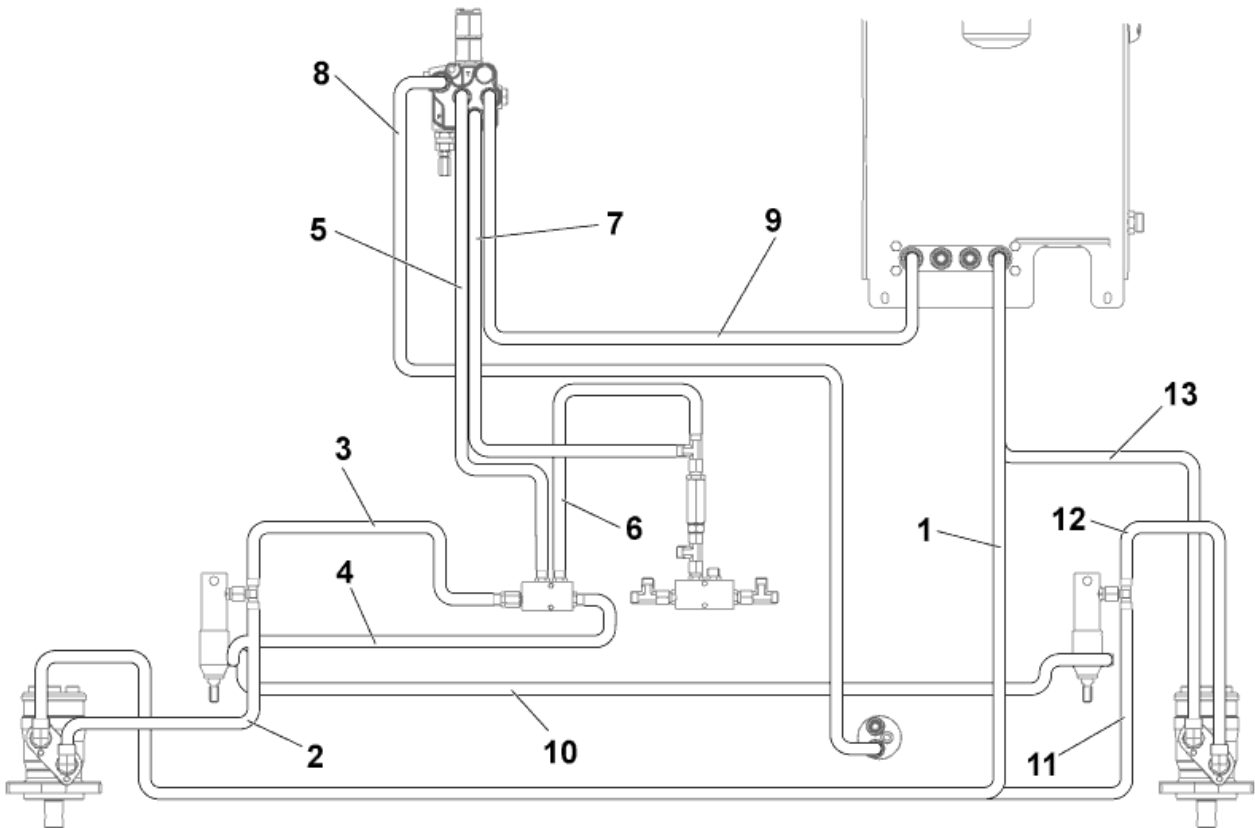
SIDE BROOM SCHEME

SR 1601 B

04-12-2013

Part List ID
SR1601B0430

45



SIDE BROOM SCHEME

SR 1601 B

04-12-2013

Part List ID
SR1601B0430

46

Pos	Part no.	Qty	Description	
1	33018689	1	HOSE HYDRAULIC 1/2 L 2900	ONLY FOR MACHINE WITH ONE SIDE BROOM
2	33017640	1	HOSE HYDRAULIC 3/8 L 625	
3	33017654	1	HOSE HYDRAULIC 1/4 L 2800	
4	33017643	1	HOSE HYDRAULIC 1/4 L 3400	
5	33017646	1	HOSE HYDRAULIC 1/4 L 1460	
6	33017637	1	HOSE HYDRAULIC 1/4 L 360	
7	33017639	1	HOSE HYDRAULIC 1/4 L 1620	
8	33017631	1	HOSE HYDRAULIC 3/8 L 1520	
9	33017648	1	HOSE HYDRAULIC 1/2 L 740	
10	33017644	1	HOSE HYDRAULIC 1/4 L 2500	ONLY FOR MACHINE WITH TWO SIDE BROOM
11	33017629	1	HOSE HYDRAULIC 3/8 L 2900	ONLY FOR MACHINE WITH TWO SIDE BROOM
12	33017642	1	HOSE HYDRAULIC 3/8 L 626	ONLY FOR MACHINE WITH TWO SIDE BROOM
13	33017645	1	HOSE HYDRAULIC 1/2 L 2170	ONLY FOR MACHINE WITH TWO SIDE BROOM

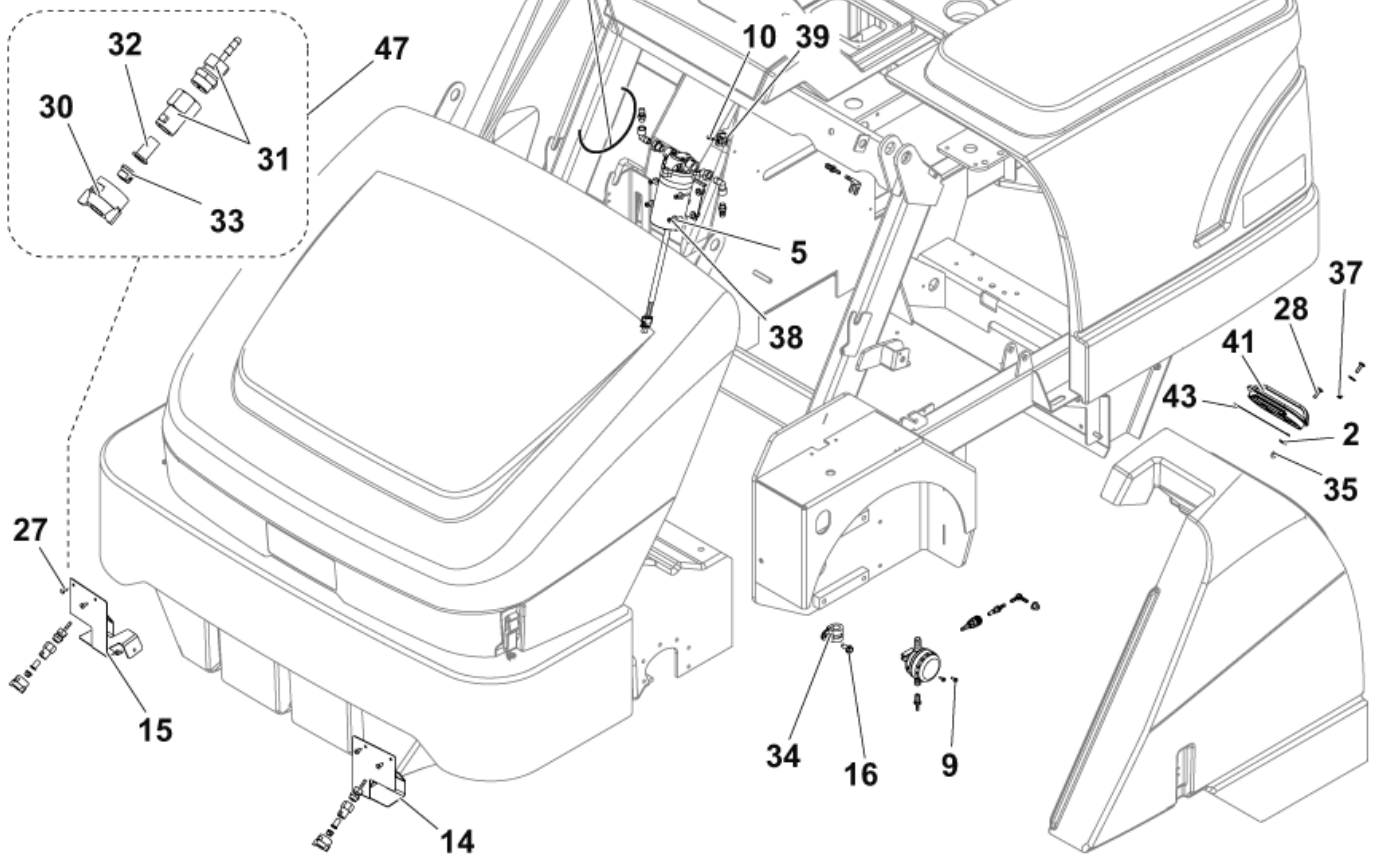
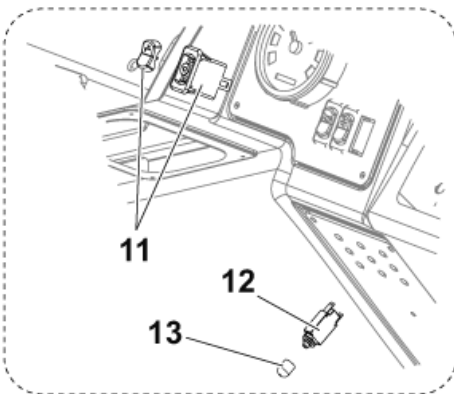
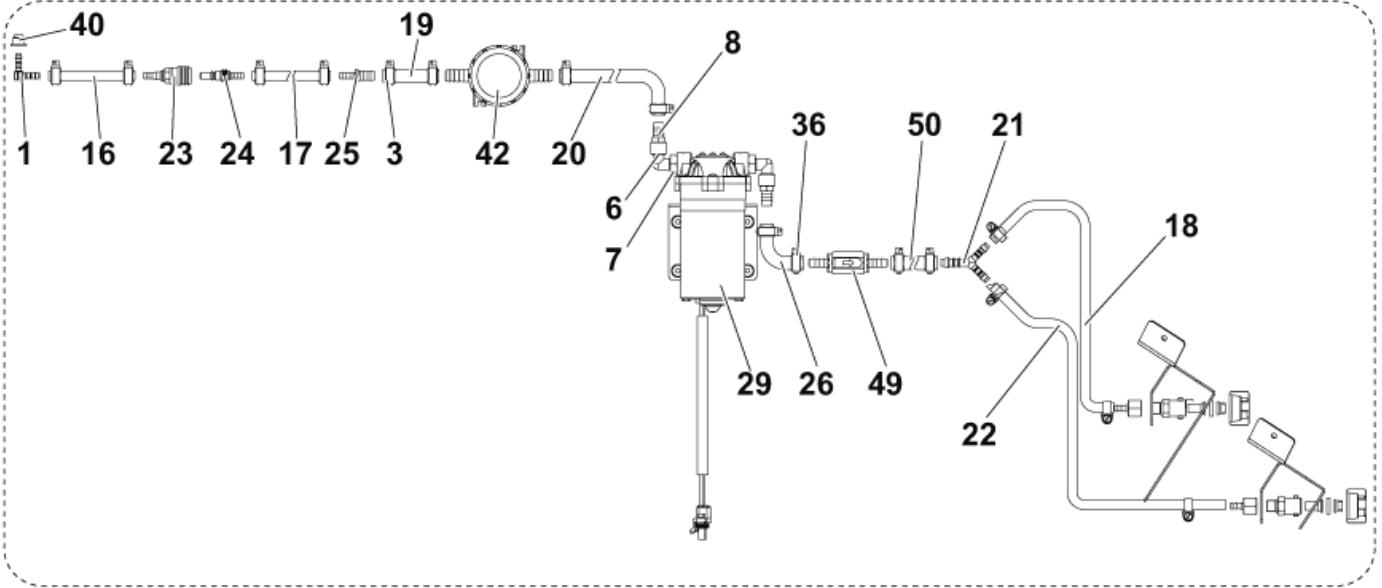
ACCESSORIES - 1

SR 1601 B

04-12-2013

Part List ID
SR1601B0450

47



ACCESSORIES - 1

SR 1601 B

04-12-2013

Part List ID
SR1601B0450

48

Pos	Part no.	Qty	Description	
1	33020824	1	ELBOW 90. D. 8 NYLON	
6	33011224	2	FITTING 90 M-F 1/4	
7	33011494	2	REDUCTION GEAR MF 3/8 1	
8	33011522	2	RUBBER SEAL HOLDER 1/4 D	
11	33019325	1	SWITCH WATER FLUSHING KIT	
12	33019709	1	BREAKER CIRCUIT 2A	
13	33017386	1	BOOT CIRCUIT BREAKER	
14	33017927	1	BRACKET LEFT SIDE	
15	33017928	1	BRACKET RIGHT SIDE	
21	33020820	1	ELBOW Y D.6-8-6	
23	33018190	1	CONNECTOR FEMALE	
24	33018191	1	CONNECTOR MALE	
25	33018196	2	FITTING	
29	33019726	1	PUMP WATER 24V KIT	
30	33020817	2	RING NUT QUICK COUPLING	
31	33020865	2	ADAPTER SPRAY KIT	
32	33022026	1	CHECK VALVE FILTER	
33	33020816	2	NOZZLE SPRAY DIAM 0.33 S.S.	
33	33022072	1	NOZZLE SPRAY 0.53 BRASS	
36	145 8582 000	8	CLAMP 8/ 9-16	
40	909 6089 000	1	CHOCK D.18	
41	9097385000	1	CAP SOLUTION TANK	
42	9100000362	1	FILTER WATER	
43	9097485000	1	CABLE OPENING CAP	
44	33019249	1	HARNESS MISTING SYSTEM	NOT SHOWN
45	33019377	1	PRE MISTING SYST. 48V KIT	NOT SHOWN - Optional - INST.INSTR.CODE 33019375
47	33019324	2	NOZZLE SPRAY KIT	(Pos 30-31-32-33)
48	33019326	1	HOSES AND FITTINGS MISTING SYST.KIT	NOT SHOWN (Pos 21-23-24-25-6-7-8-3-4-39-40-1-17-18)
49	33021303	1	VALVE CHECK D.10 KIT	SEE TSB IT 2012-083INST.INSTR.CODE 33021304
50	33022092	1	HOSE POLYESTER YARN REINFORCEMENT D.10	SEE TSB IT 2012-083

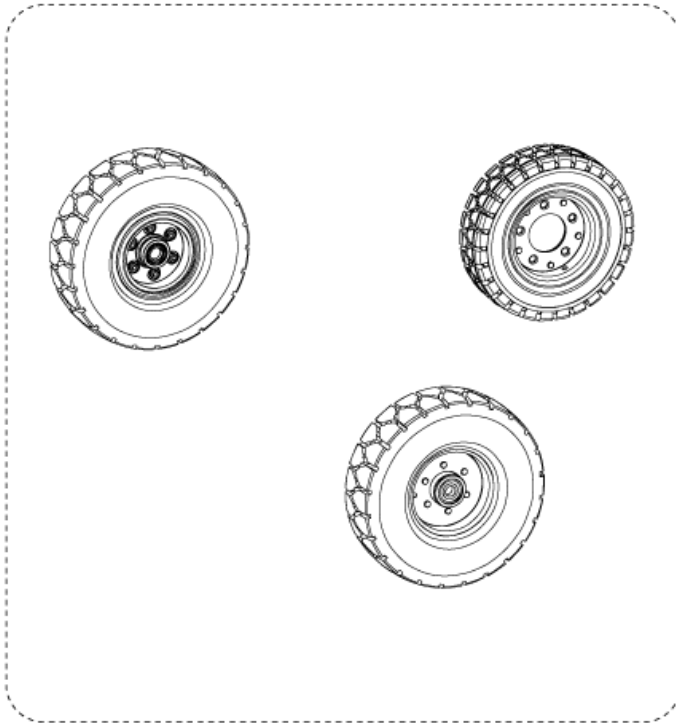
ACCESSORIES - 2

SR 1601 B

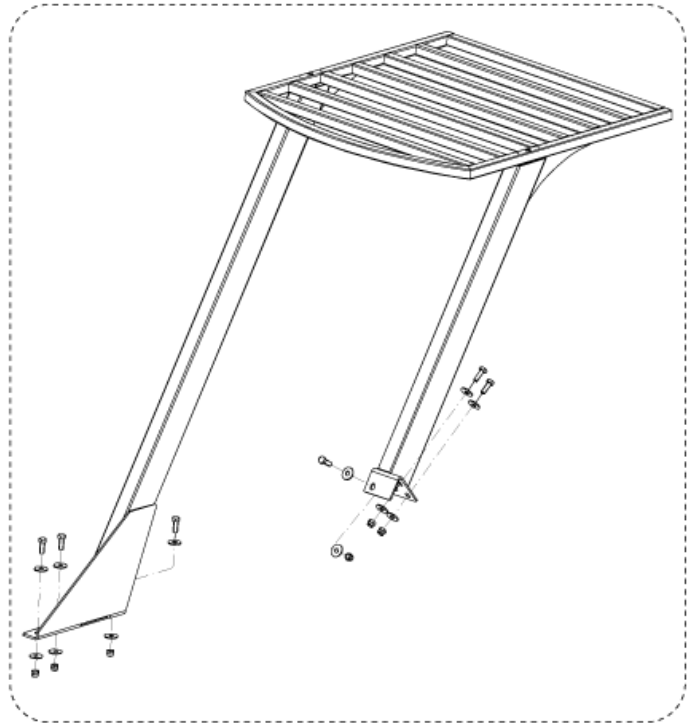
04-12-2013

Part List ID
SR1601B0470

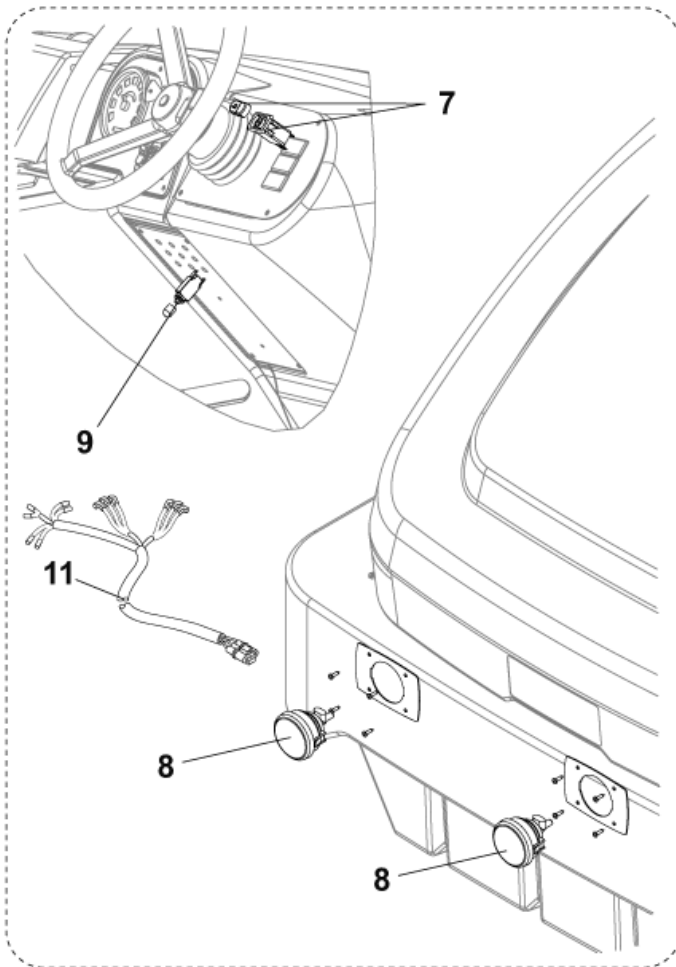
49



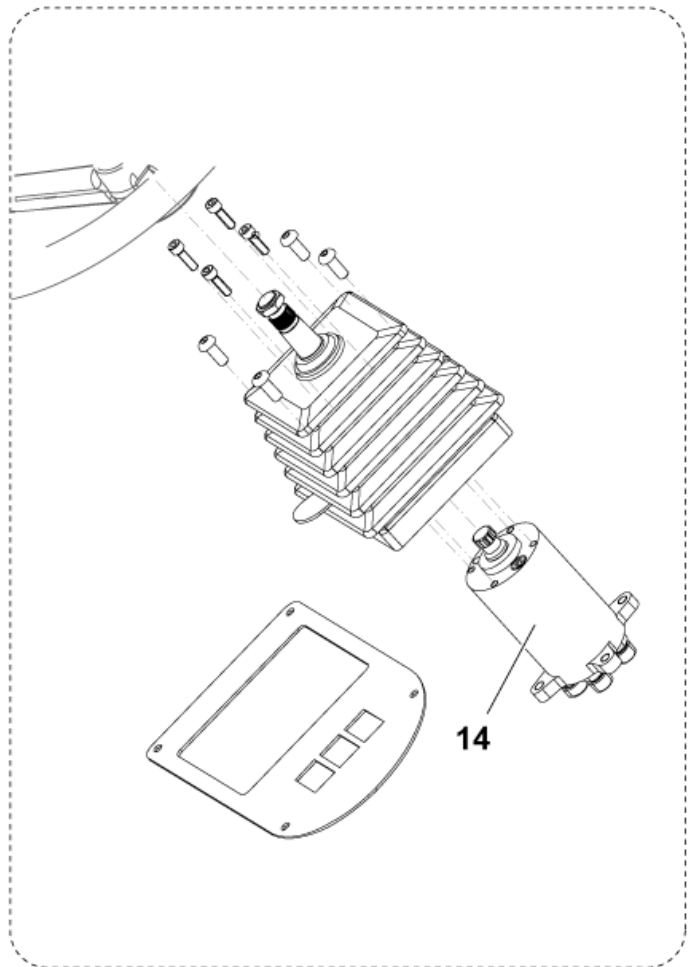
1



2



5



12

ACCESSORIES - 2

SR 1601 B

04-12-2013

Part List ID
SR1601B0470

50

Pos	Part no.	Qty	Description	
1	33019172	1	WHEEL SOLID NO MARKING KIT	Optional
2	33019171	1	GUARD OVERHEAD KIT	Optional - INST.INSTR.CODE 33020629
5	33019560	1	LIGHT FRONT 48V KIT	Optional - INST.INSTR.CODE 33019561
7	33019736	1	SWITCH FRONT LIGHT KIT	
8	33019229	2	HEADLIGHT 24V	
9	33017361	1	BREAKER CIRCUIT 10A	
10	33019734	2	LAMP 24V 70W	NOT SHOWN
11	33019220	1	HARNES FRONT HEADLIGHT 24 V	
12	33019174	1	STEERING ADJUSTABLE KIT	Optional - INST.INSTR.CODE 33019157
14	33022033	1	GASKET STEERING UNIT KIT	For Item 33022286
14	33022286	1	STEERING WHEEL KIT	

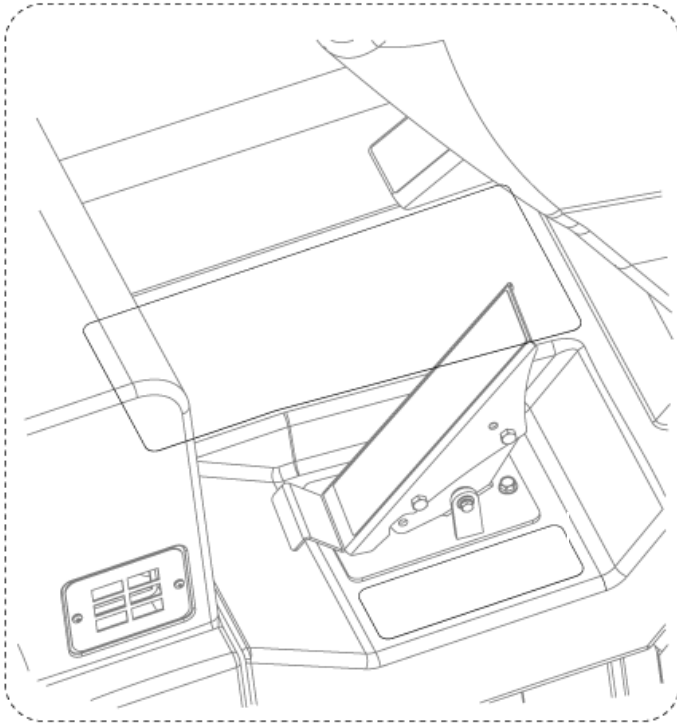
ACCESSORIES - 3

SR 1601 B

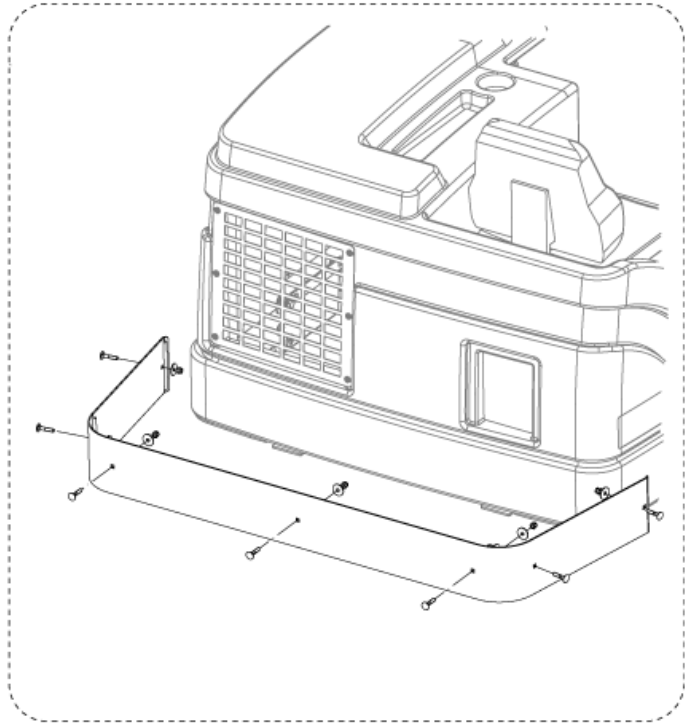
04-12-2013

Part List ID
SR1601B0490

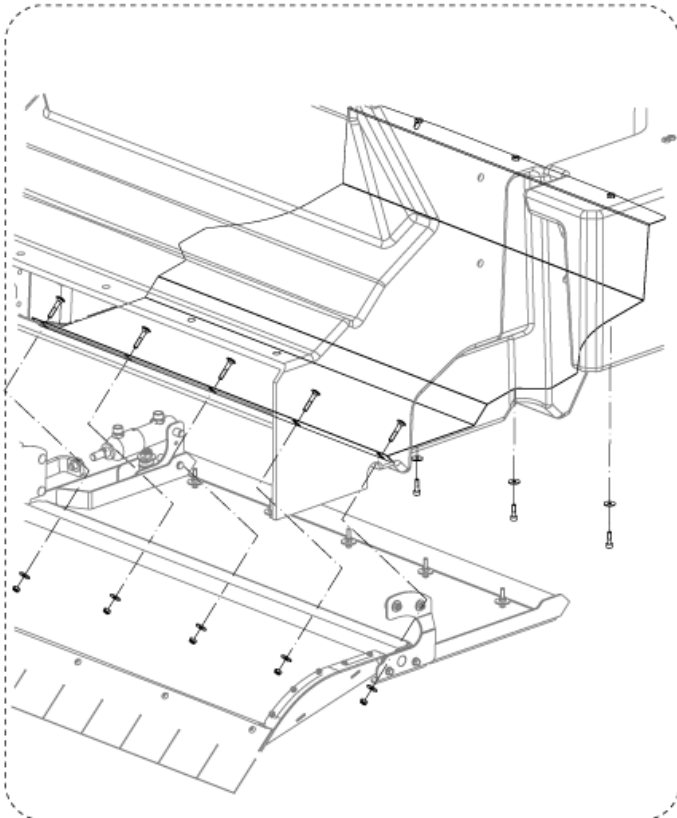
51



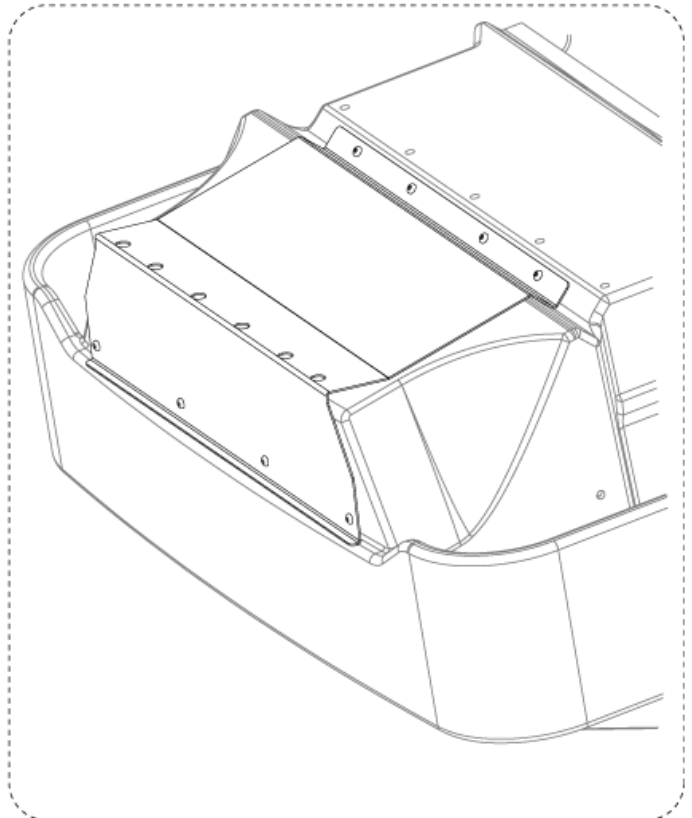
1



3



5



7

ACCESSORIES - 3

SR 1601 B

04-12-2013

Part List ID
SR1601B0490

52

Pos	Part no.	Qty	Description	
1	33019570	1	MAT FLOOR KIT	Optional - INST.INSTR.CODE 33019195
3	33019572	1	GUARD REAR BUMPER KIT	Optional - INST.INSTR.CODE 33019205
5	33019573	1	METAL LINER HOPPER KIT	Optional - INST.INSTR.CODE 33019207
7	33021392	1	HOPPER PROTECTION KIT	Optional - INST.INSTR.CODE 33021393
9	33019554	1	BELT SEAT KIT	NOT SHOWN - Optional -

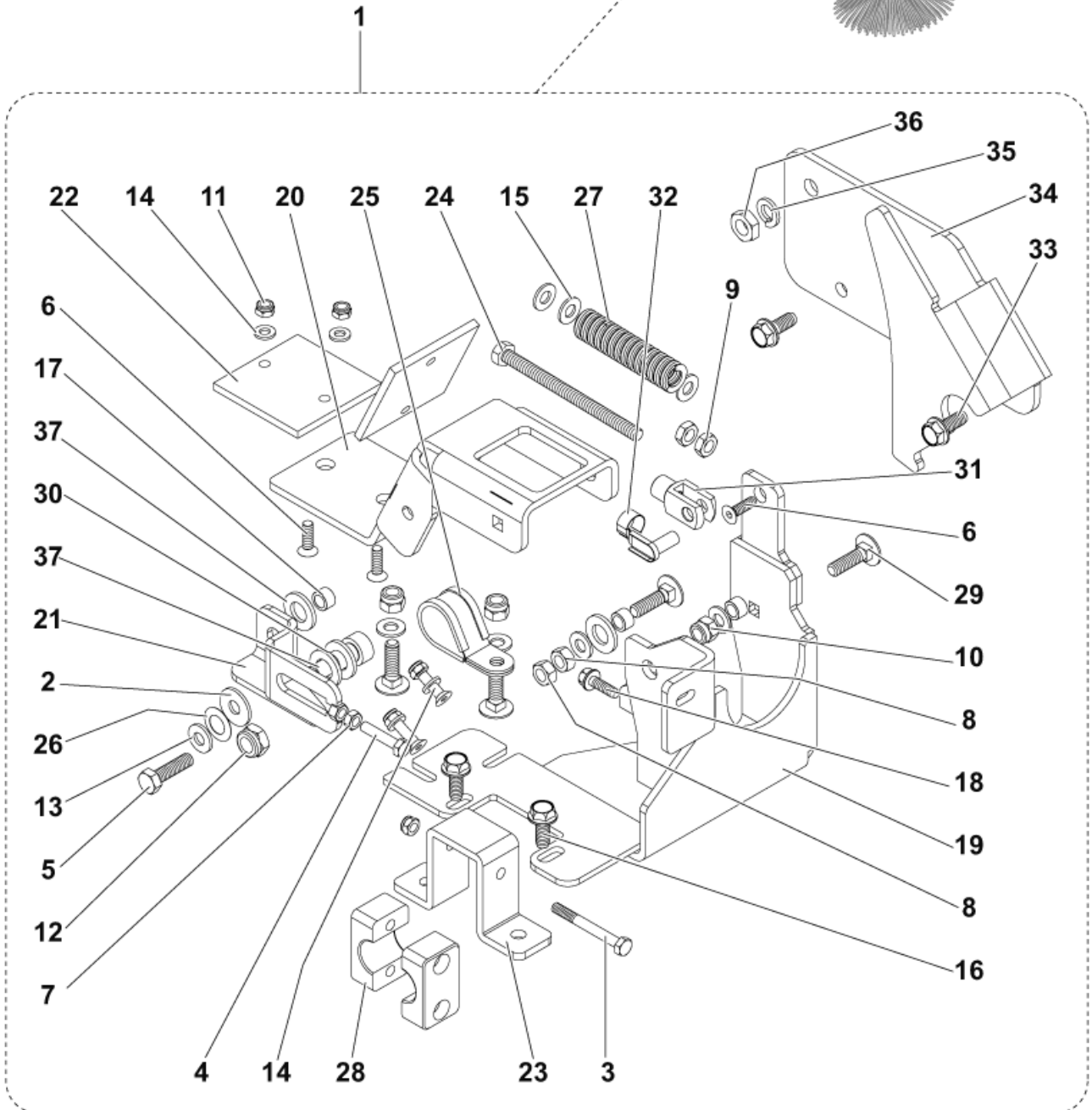
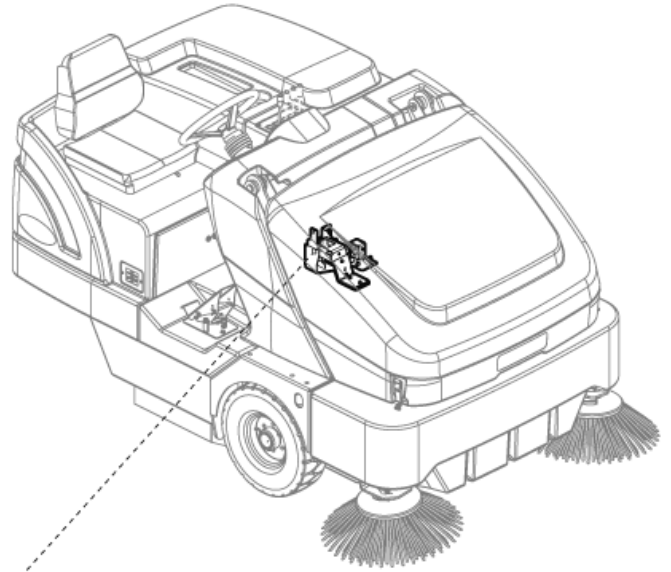
ACCESSORIES - 4

SR 1601 B

04-12-2013

Part List ID
SR1601B0510

53



ACCESSORIES - 4

SR 1601 B

04-12-2013

Part List ID
SR1601B0510

54

Pos	Part no.	Qty	Description	
1	33020361	1	LIMITING SPEED KIT RETROFIT	Optional - INST.INSTR.CODE 33020361
19	33019995	1	BASE SPEED LIMITING	
20	33019996	1	LEVER SPEED LIMITING	
21	33019997	1	LEVER ADJUSTER	
22	33019998	2	PLATE FOR SPEED LIMITING	
23	33020212	1	SUPPORT COLLAR	
25	33020367	1	CLAMP HOSE D.25	
26	146 0617 000	1	BELLEVILLE WASHER 12.3X21.8X0.35 DIN2093	
34	33020565	1	BRACKET SAFETY GUIDE	
38	33020350	1	HARDWARE SPEED LIMITING KIT	NOT SHOWN (Pos 1-2-3-4-5-6-7-8-9-10-11-12-13-14-15)

ACCESSORIES - 5

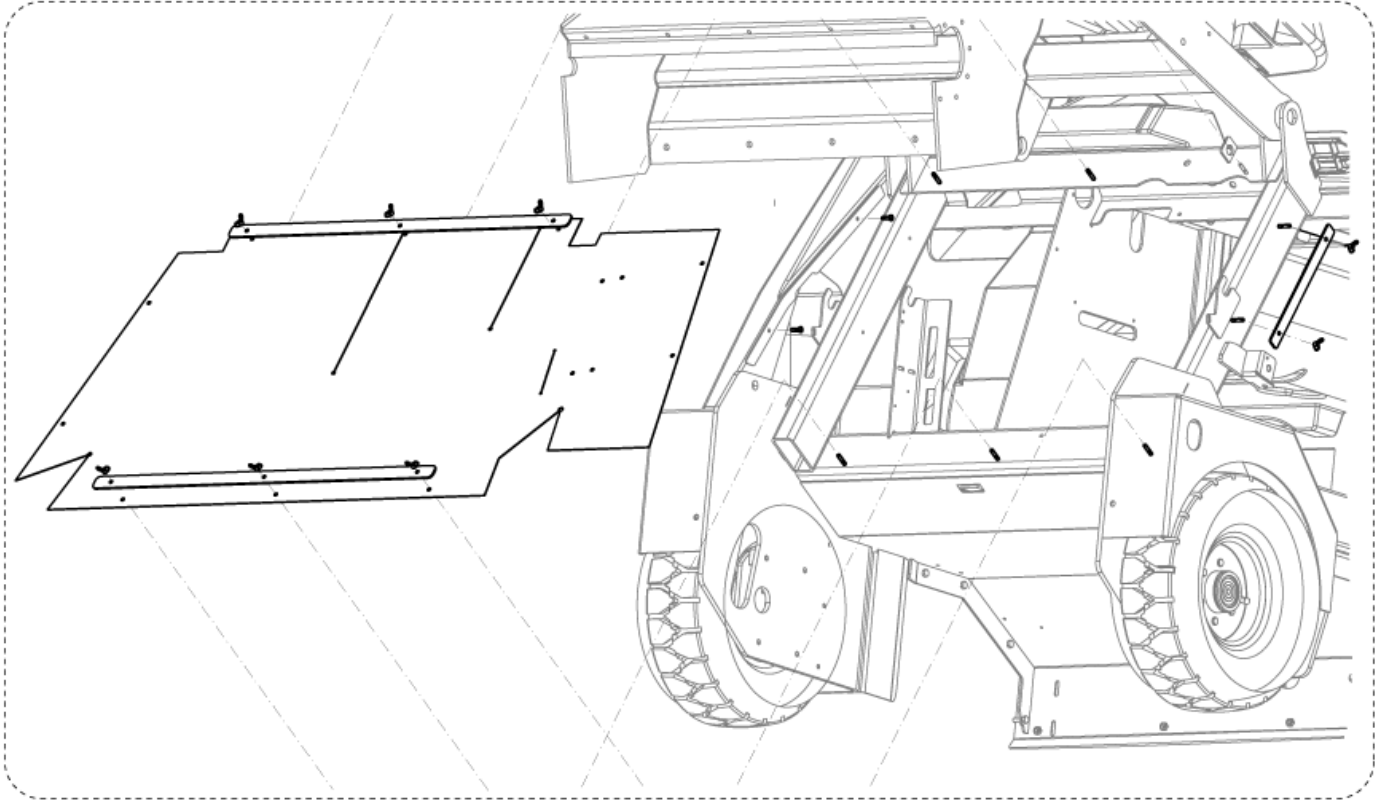
SR 1601 B

04-12-2013

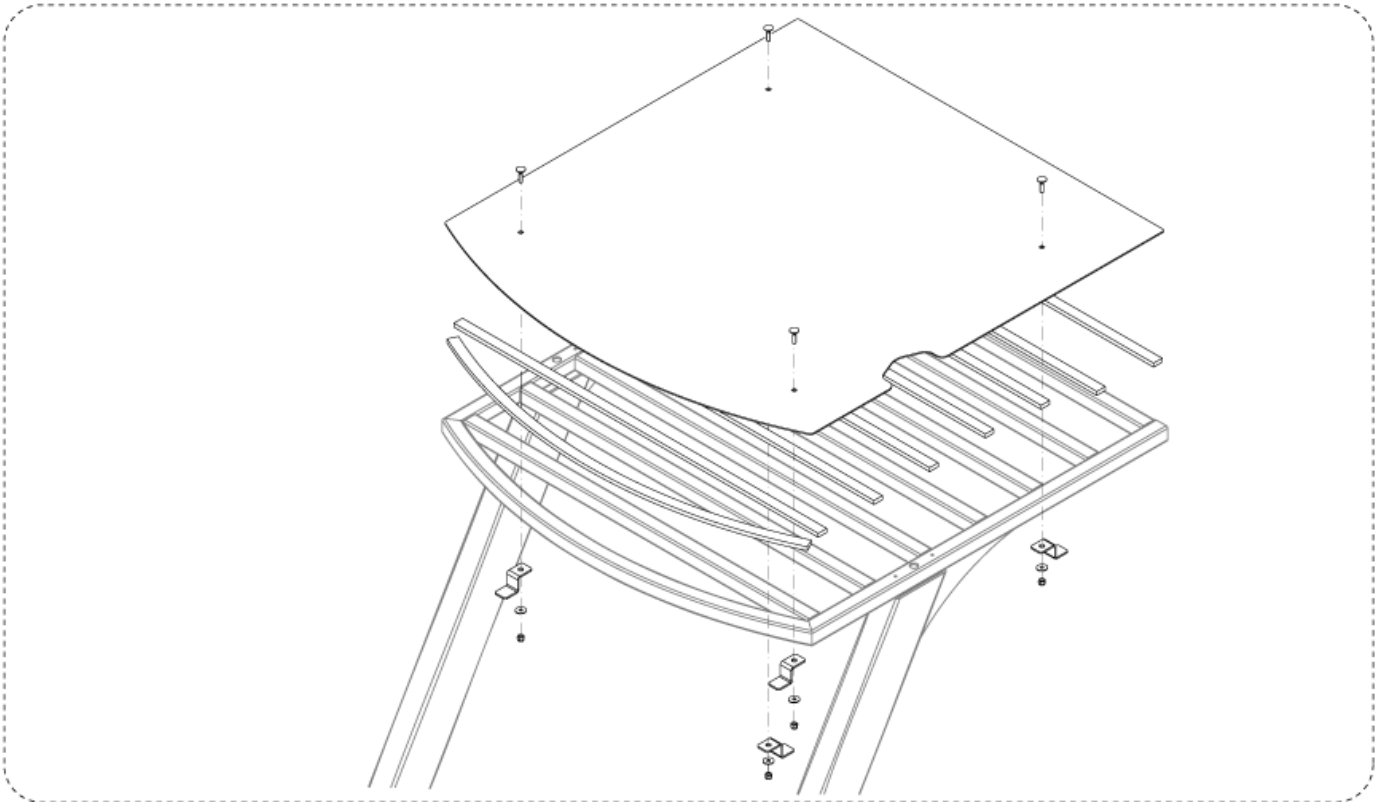
Part List ID
SR1601B0530

55

1



1



ACCESSORIES - 5

SR 1601 B

04-12-2013

Part List ID
SR1601B0530

56

Pos	Part no.	Qty	Description	
1	33020372	1	HOPPER DUST FLAP KIT	Optional - INST.INSTR.CODE 33020373
2	33020052	1	CANOPY KIT	Optional - INST.INSTR.CODE 33020051
3	33021975	1	GAS SPRING KIT	NOT SHOWN - Optional - INST.INSTR.CODE 33021977

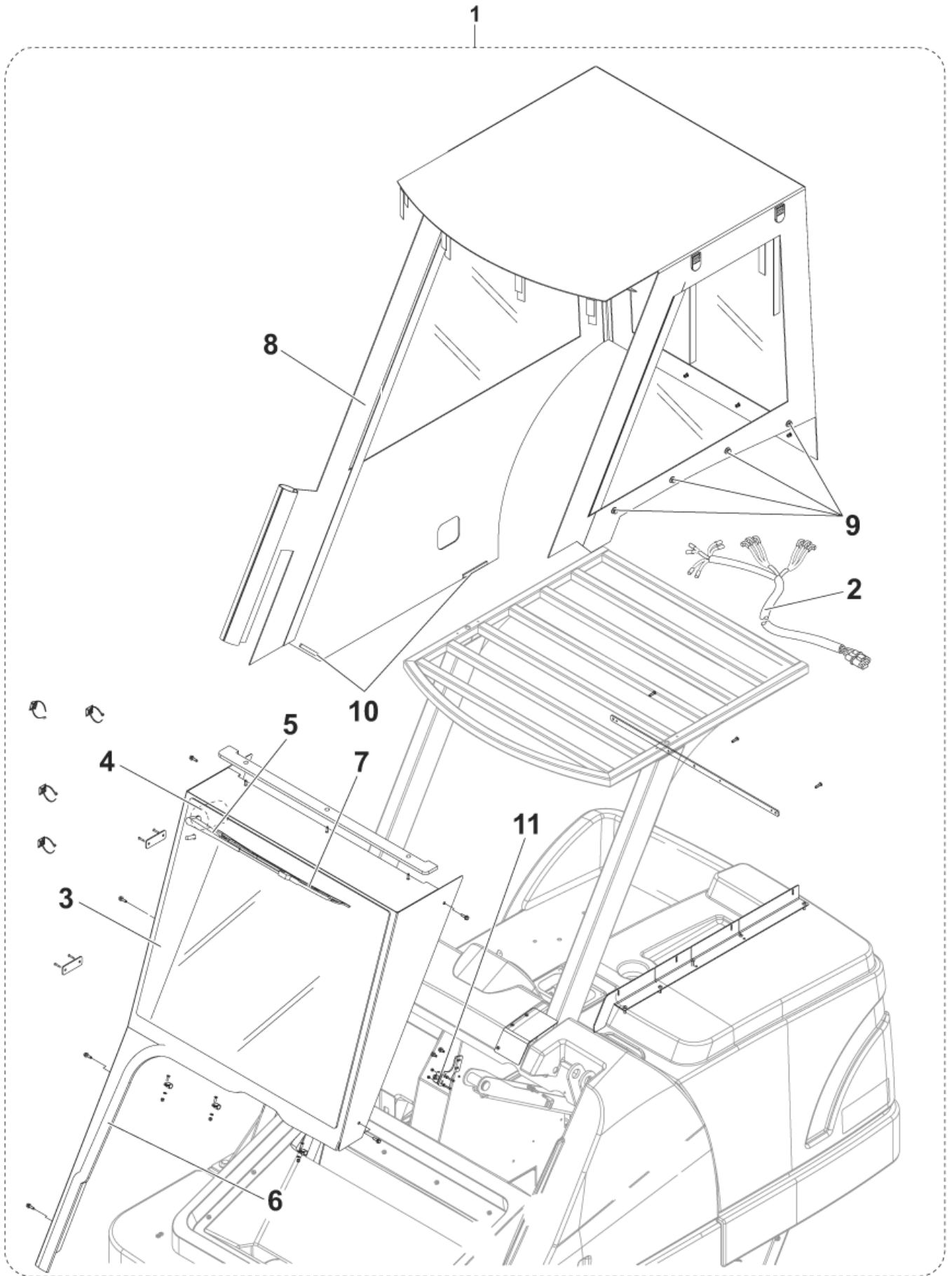
ACCESSORIES - 6

SR 1601 B

04-12-2013

Part List ID
SR1601B0541

57



ACCESSORIES - 6

SR 1601 B

04-12-2013

Part List ID
SR1601B0541

58

Pos	Part no.	Qty	Description
1	33020002	1	SOFT CABIN KIT OPTION - INST INSTR 33020001
2	33020456	1	HARNES MOTOR WINDSCREEN
3	33020288	1	WINDSCREEN
4	33020457	1	MOTOR WINDSCREEN WIPER
5	33020571	1	ARM WINDSCREEN WIPER
6	33020623	1	GASKET
7	33020460	1	BLADE WIPER
8	33020292	1	CABIN SOFT
9	33020461	8	COUPLING QUICK LOCK
10	33020611	2	MAGNET FIXING CABIN
11	33020459	1	MICROSWITCH 16A 250V

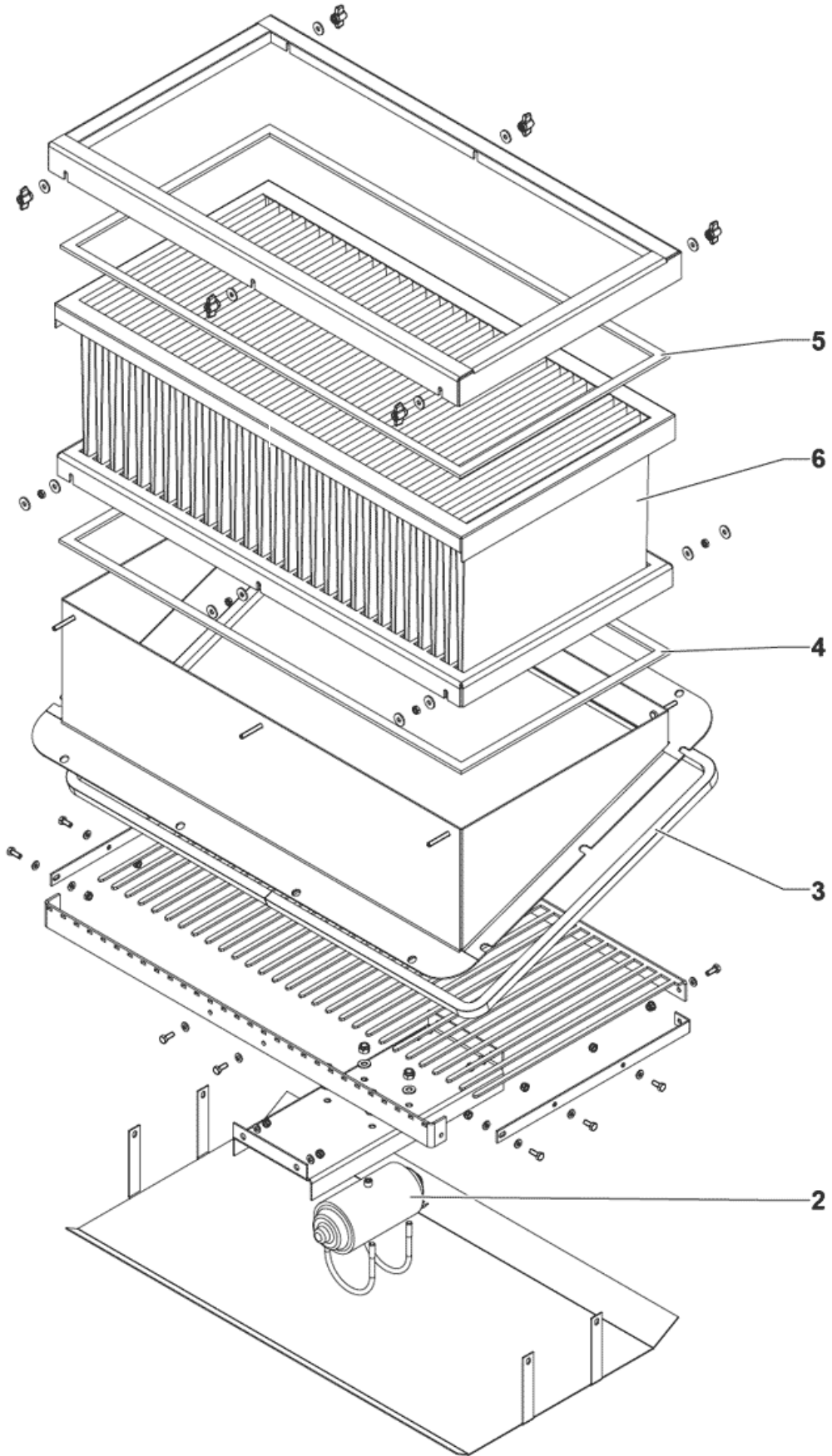
ACCESSORIES - 7

SR 1601 B

04-12-2013

Part List ID
SR1601B0561

59



ACCESSORIES - 7

SR 1601 B

04-12-2013

Part List ID
SR1601B0561

60

Pos	Part no.	Qty	Description
1	33019177	1	FILTER POCKET 48V KIT Optional - INST.INSTR.CODE 333018766
2	33017232	1	MOTOR FILTER SHAKER 48V
3	33018634	1	GASKET ADHESIVE 15X15 L.2560MM
4	33017421	1	GASKET ADHESIVE 15X5 L.2200MM KIT
5	33017423	1	GASKET ADHESIVE 15X5 L.2250MM KIT
6	56507588	1	POCKET FILTER FILTRO SACCHE

WIRING DIAGRAM - PAG. 1

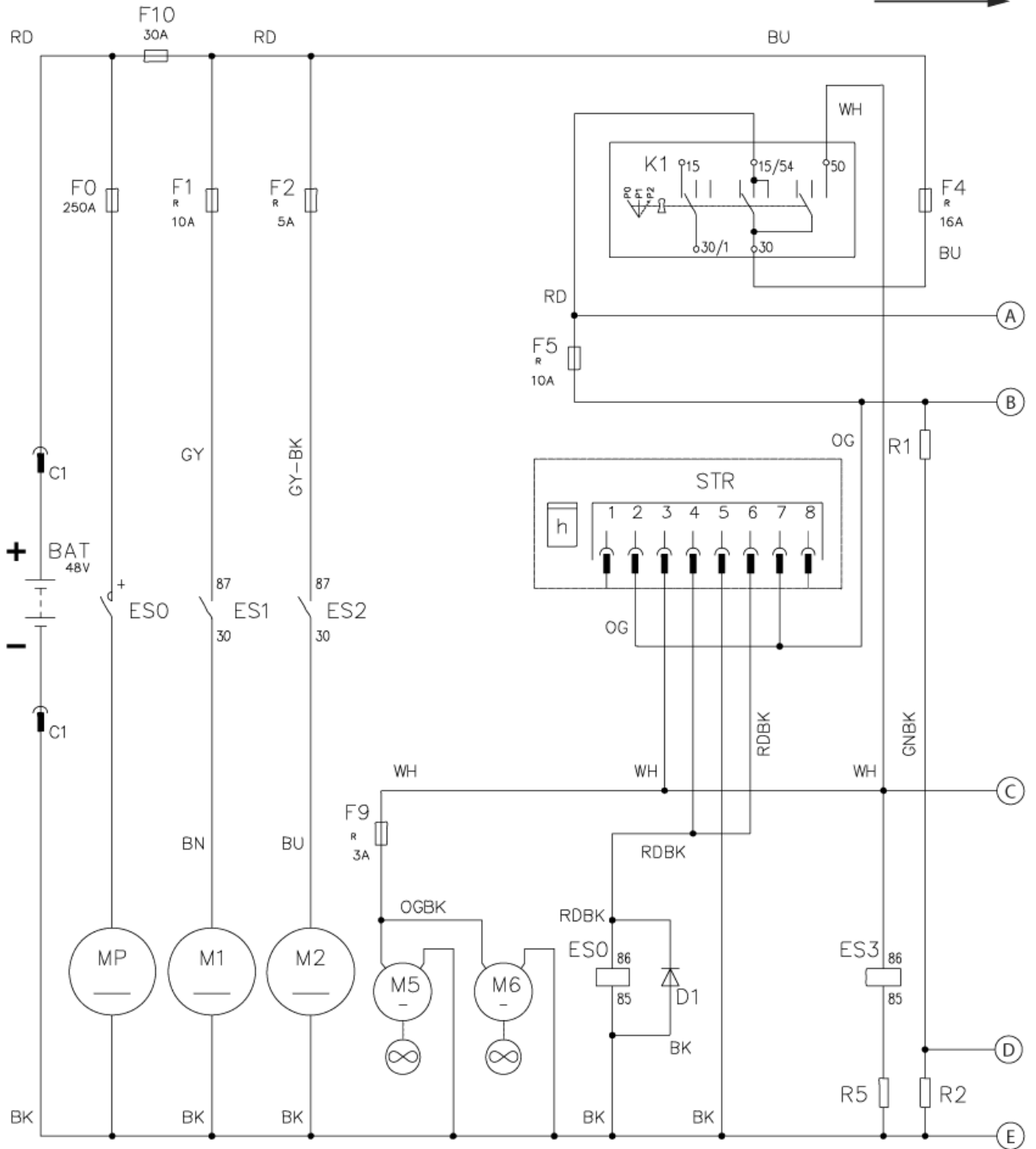
SR 1601 B

04-12-2013

Part List ID
SR1601B0563

61

PAGE 2 



WIRING DIAGRAM - PAG. 1

SR 1601 B

04-12-2013

Part List ID
SR1601B0563

62

Pos	Part no.	Qty	Description
C1	33019166	1	CONNECTOR 350 AMP BLUE
D1	666666	1	NOTE COMMENT
F0	33008583	1	POWER FUSE 250A
F1	33017361	1	BREAKER CIRCUIT 10A
F2	33020282	1	BREAKER CIRCUIT 5A
F3	33019709	1	BREAKER CIRCUIT 2A
F4	33017360	1	BREAKER CIRCUIT 16A
F5	33017361	1	BREAKER CIRCUIT 10A
F6	33017361	1	BREAKER CIRCUIT 10A
F8	33017361	1	BREAKER CIRCUIT 10A
HN	33009017	1	HORN 48V
K1	145 3761 000	1	SWITCH KEY
M1	33015700	1	FAN RADIAL 48V
M2	33017232	1	MOTOR FILTER SHAKER 48V
M3	33019726	1	PUMP WATER 24V KIT
M4	666666	1	NOTE COMMENT
M5	33020222	1	FAN AXIAL 48V
M6	33019568	1	FAN COOLING 48V 5.8W DC
MP	33017260	1	MOTOR ELECTRIC 48V 7 KW
R1	666666	1	NOTE COMMENT
R2	666666	1	NOTE COMMENT
R3	666666	1	NOTE COMMENT
R4	666666	1	NOTE COMMENT
R5	666666	1	NOTE COMMENT
R6	666666	1	NOTE COMMENT
R7	666666	1	NOTE COMMENT
R8	666666	1	NOTE COMMENT
R9	666666	1	NOTE COMMENT
T1	33017359	1	RELAY TIMER 20 SECONDS
T2	33017385	1	RELAY TIMER 0.5 SEC.
T3	33019197	1	RELAY TIMER 0.5 SECONDS
BAT	80562010	1	BATT.48V-375AH WET 2 TRAY W/BFS.
BE1	56305223	1	BEACON WARNING
BZ1	33022643	1	BUZZER REVERSE GEAR BATTERY KIT
ES0	33017449	1	CONTACTOR UNIPOLAR 48V
ES1	909 6622 000	1	RELAY 24V 40A
ES2	909 6622 000	1	RELAY 24V 40A
ES3	146 1646 000	1	RELAY 24V
F10	909 5101 000	1	FUSE 30A
R10	666666	1	NOTE COMMENT
R11	666666	1	NOTE COMMENT
SE1	666666	1	NOTE COMMENT
SE2	666666	1	NOTE COMMENT

WIRING DIAGRAM - PAG. 1

SR 1601 B

04-12-2013

Part List ID
SR1601B0563

63

Pos	Part no.	Qty	Description
STR	33017221	1	GAUGE 48V
SW1	33018843	1	SWITCH SUCTION KIT
SW2	33018844	1	SWITCH HORN KIT
SW3	666666	1	NOTE COMMENT
SW4	33018521	1	SWITCH BACK UP PROXIMITY
SW5	666666	1	NOTE COMMENT
SW6	33019325	1	SWITCH WATER FLUSHING KIT
SW7	666666	1	NOTE COMMENT
WL1	666666	1	NOTE COMMENT
WL2	666666	1	NOTE COMMENT
L1/2	33019229	1	HEADLIGHT 24V

WIRING DIAGRAM - PAG. 2

SR 1601 B

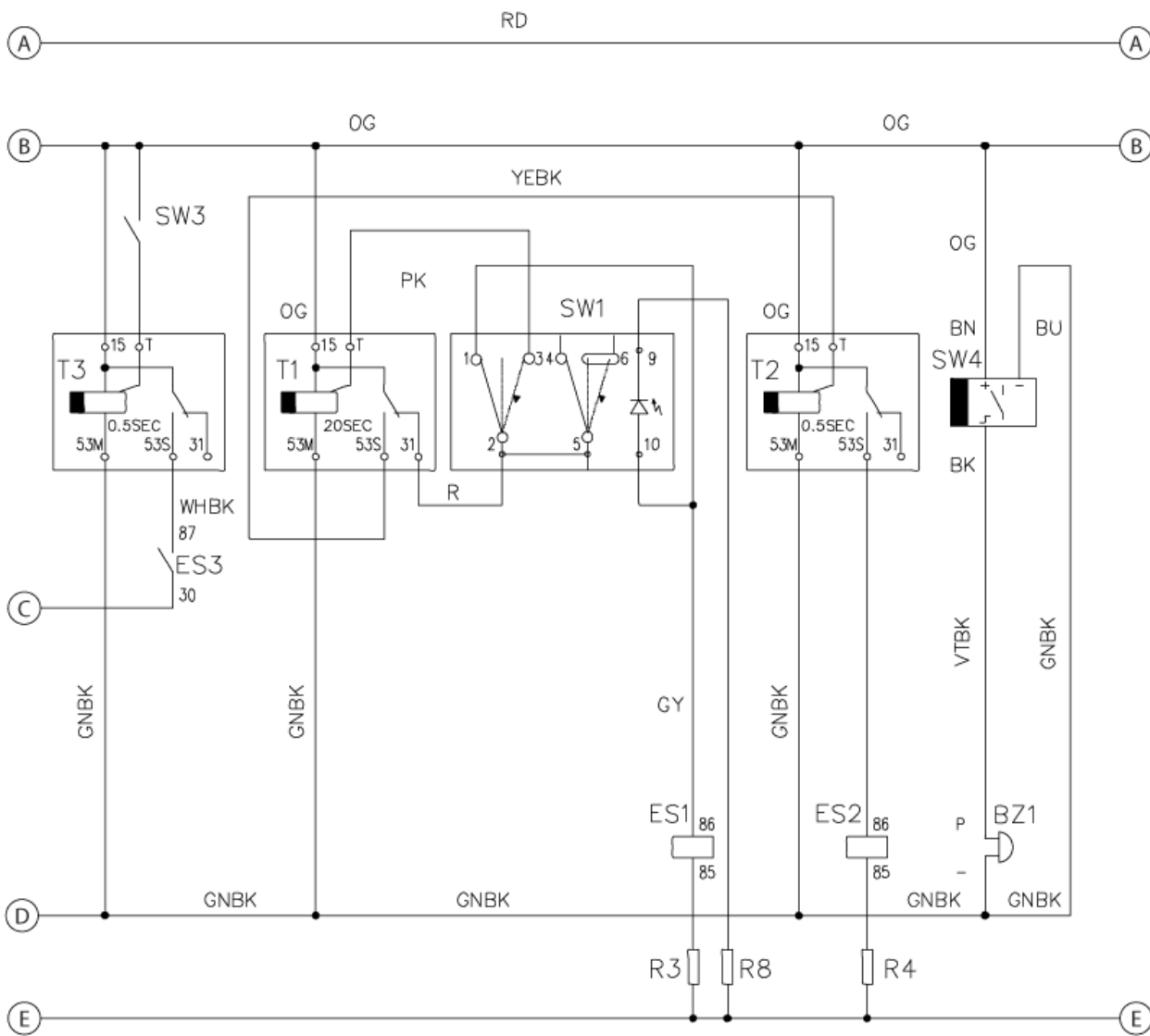
04-12-2013

Part List ID
SR1601B0565

64

PAGE 1

PAGE 3



WIRING DIAGRAM - PAG. 2

SR 1601 B

04-12-2013

Part List ID
SR1601B0565

65

Pos	Part no.	Qty	Description
C1	33019166	1	CONNECTOR 350 AMP BLUE
D1	666666	1	NOTE COMMENT
F0	33008583	1	POWER FUSE 250A
F1	33017361	1	BREAKER CIRCUIT 10A
F2	33020282	1	BREAKER CIRCUIT 5A
F3	33019709	1	BREAKER CIRCUIT 2A
F4	33017360	1	BREAKER CIRCUIT 16A
F5	33017361	1	BREAKER CIRCUIT 10A
F6	33017361	1	BREAKER CIRCUIT 10A
F8	33017361	1	BREAKER CIRCUIT 10A
HN	33009017	1	HORN 48V
K1	145 3761 000	1	SWITCH KEY
M1	33015700	1	FAN RADIAL 48V
M2	33017232	1	MOTOR FILTER SHAKER 48V
M3	33019726	1	PUMP WATER 24V KIT
M4	666666	1	NOTE COMMENT
M5	33020222	1	FAN AXIAL 48V
M6	33019568	1	FAN COOLING 48V 5.8W DC
MP	33017260	1	MOTOR ELECTRIC 48V 7 KW
R1	666666	1	NOTE COMMENT
R2	666666	1	NOTE COMMENT
R3	666666	1	NOTE COMMENT
R4	666666	1	NOTE COMMENT
R5	666666	1	NOTE COMMENT
R6	666666	1	NOTE COMMENT
R7	666666	1	NOTE COMMENT
R8	666666	1	NOTE COMMENT
R9	666666	1	NOTE COMMENT
T1	33017359	1	RELAY TIMER 20 SECONDS
T2	33017385	1	RELAY TIMER 0.5 SEC.
T3	33019197	1	RELAY TIMER 0.5 SECONDS
BAT	80562010	1	BATT.48V-375AH WET 2 TRAY W/BFS.
BE1	56305223	1	BEACON WARNING
BZ1	33022643	1	BUZZER REVERSE GEAR BATTERY KIT
ES0	33017449	1	CONTACTOR UNIPOLAR 48V
ES1	909 6622 000	1	RELAY 24V 40A
ES2	909 6622 000	1	RELAY 24V 40A
ES3	146 1646 000	1	RELAY 24V
F10	909 5101 000	1	FUSE 30A
R10	666666	1	NOTE COMMENT
R11	666666	1	NOTE COMMENT
SE1	666666	1	NOTE COMMENT
SE2	666666	1	NOTE COMMENT

WIRING DIAGRAM - PAG. 2

SR 1601 B

04-12-2013

Part List ID
SR1601B0565

66

Pos	Part no.	Qty	Description
STR	33017221	1	GAUGE 48V
SW1	33018843	1	SWITCH SUCTION KIT
SW2	33018844	1	SWITCH HORN KIT
SW3	666666	1	NOTE COMMENT
SW4	33018521	1	SWITCH BACK UP PROXIMITY
SW5	666666	1	NOTE COMMENT
SW6	33019325	1	SWITCH WATER FLUSHING KIT
SW7	666666	1	NOTE COMMENT
WL1	666666	1	NOTE COMMENT
WL2	666666	1	NOTE COMMENT
L1/2	33019229	1	HEADLIGHT 24V

WIRING DIAGRAM - PAG. 3

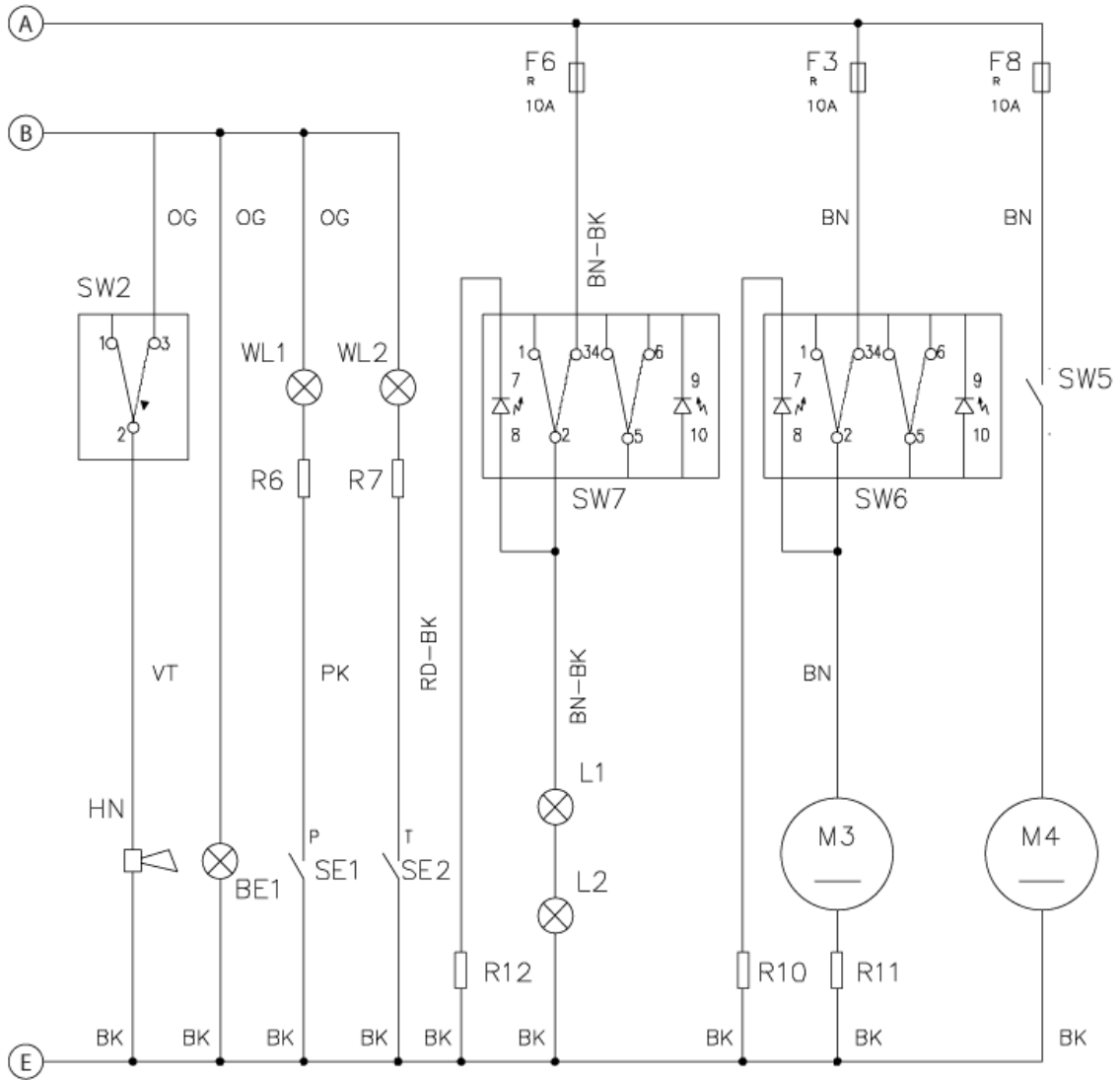
SR 1601 B

04-12-2013

Part List ID
SR1601B0567

67

PAGE 2



WIRING DIAGRAM - PAG. 3

SR 1601 B

04-12-2013

Part List ID
SR1601B0567

68

Pos	Part no.	Qty	Description
C1	33019166	1	CONNECTOR 350 AMP BLUE
D1	666666	1	NOTE COMMENT
F0	33008583	1	POWER FUSE 250A
F1	33017361	1	BREAKER CIRCUIT 10A
F2	33020282	1	BREAKER CIRCUIT 5A
F3	33019709	1	BREAKER CIRCUIT 2A
F4	33017360	1	BREAKER CIRCUIT 16A
F5	33017361	1	BREAKER CIRCUIT 10A
F6	33017361	1	BREAKER CIRCUIT 10A
F8	33017361	1	BREAKER CIRCUIT 10A
HN	33009017	1	HORN 48V
K1	145 3761 000	1	SWITCH KEY
M1	33015700	1	FAN RADIAL 48V
M2	33017232	1	MOTOR FILTER SHAKER 48V
M3	33019726	1	PUMP WATER 24V KIT
M4	666666	1	NOTE COMMENT
M5	33020222	1	FAN AXIAL 48V
M6	33019568	1	FAN COOLING 48V 5.8W DC
MP	33017260	1	MOTOR ELECTRIC 48V 7 KW
R1	666666	1	NOTE COMMENT
R2	666666	1	NOTE COMMENT
R3	666666	1	NOTE COMMENT
R4	666666	1	NOTE COMMENT
R5	666666	1	NOTE COMMENT
R6	666666	1	NOTE COMMENT
R7	666666	1	NOTE COMMENT
R8	666666	1	NOTE COMMENT
R9	666666	1	NOTE COMMENT
T1	33017359	1	RELAY TIMER 20 SECONDS
T2	33017385	1	RELAY TIMER 0.5 SEC.
T3	33019197	1	RELAY TIMER 0.5 SECONDS
BAT	80562010	1	BATT.48V-375AH WET 2 TRAY W/BFS.
BE1	56305223	1	BEACON WARNING
BZ1	33022643	1	BUZZER REVERSE GEAR BATTERY KIT
ES0	33017449	1	CONTACTOR UNIPOLAR 48V
ES1	909 6622 000	1	RELAY 24V 40A
ES2	909 6622 000	1	RELAY 24V 40A
ES3	146 1646 000	1	RELAY 24V
F10	909 5101 000	1	FUSE 30A
R10	666666	1	NOTE COMMENT
R11	666666	1	NOTE COMMENT
SE1	666666	1	NOTE COMMENT
SE2	666666	1	NOTE COMMENT

WIRING DIAGRAM - PAG. 3

SR 1601 B

04-12-2013

Part List ID
SR1601B0567

69

Pos	Part no.	Qty	Description
STR	33017221	1	GAUGE 48V
SW1	33018843	1	SWITCH SUCTION KIT
SW2	33018844	1	SWITCH HORN KIT
SW3	666666	1	NOTE COMMENT
SW4	33018521	1	SWITCH BACK UP PROXIMITY
SW5	666666	1	NOTE COMMENT
SW6	33019325	1	SWITCH WATER FLUSHING KIT
SW7	666666	1	NOTE COMMENT
WL1	666666	1	NOTE COMMENT
WL2	666666	1	NOTE COMMENT
L1/2	33019229	1	HEADLIGHT 24V

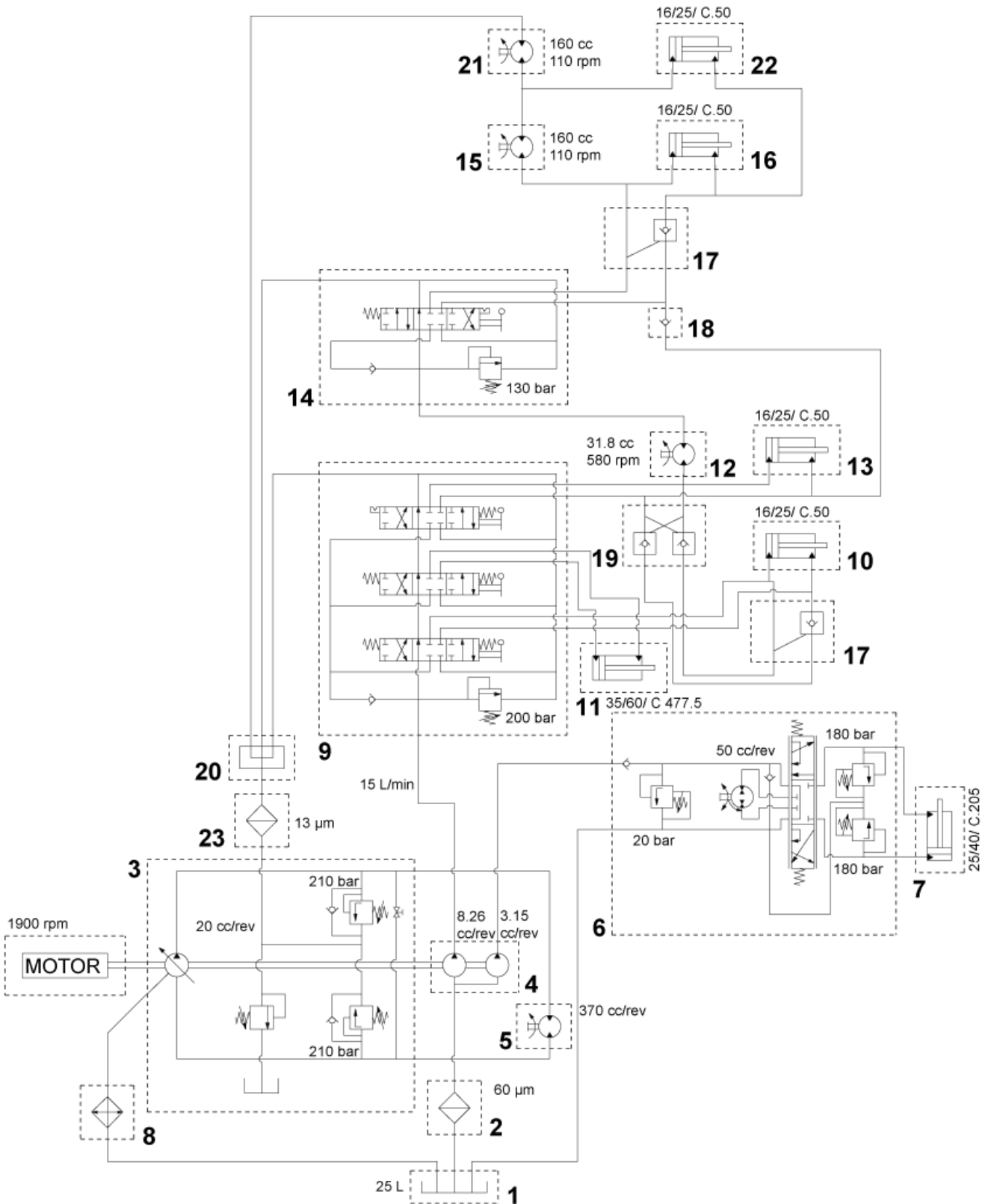
HYDRAULIC DIAGRAM

SR 1601 B

04-12-2013

Part List ID
SR1601B0569

70



HYDRAULIC DIAGRAM

SR 1601 B

04-12-2013

Part List ID
SR1601B0569

71

Pos	Part no.	Qty	Description
1	33018809	1	TANK OIL KIT
2	33010199	1	FILTER HYDRAULIC OIL
3	33022111	1	PUMP PISTON P01 KIT
4	33020224	1	PUMP HYDRAULIC TWIN
5	33019737	1	MOTOR DRIVE KIT
6	33022286	1	STEERING WHEEL KIT V. 13300149
6	33022292	1	STEERING UNIT KIT V. 13300103
7	33018808	1	CYLINDER POWER STEERING KIT
8	33022413	1	RADIATOR OIL
9	33018812	1	DISTRIBUTOR 3 ELEMENTS KIT
10	33018811	1	CYLINDER LIFTING CONTAINER KIT
11	33018802	1	MICRO CYLINDER KIT
12	33018872	1	MOTOR MAIN BROOM KIT
13	33021765	1	MAIN BROOM CYLINDER KIT
14	33018815	1	DISTRIBUTOR 1 ELEMENT KIT
15	33018807	1	MOTOR SIDE BROOM KIT
16	33021767	1	SIDE BROOM RIGHT CYLINDER KIT
17	33018840	1	CUTOFF VALVE KIT
18	33010481	1	VALVE 3/8 NONRETURN
19	33018816	1	VALVE PRIORITY KIT OLD VERSION
20	33017432	1	BLOCK HYD. HOSES
21	33018807	1	MOTOR SIDE BROOM KIT
22	33021766	1	SIDE BROOM LEFT CYLINDER KIT
23	33017431	1	FILTER MEDIUM PRESSUR

RECOMMENDED SPARE PARTS

SR 1601 B

04-12-2013

Part List ID
SR1601B0570

72

No Drawing For Part List

RECOMMENDED SPARE PARTS

SR 1601 B

04-12-2013

Part List ID
SR1601B0570

73

Pos	Part no.	Qty	Description
	145 4691 000	1	BEARING TAPER ROLLER 32006
	146 0073 00	1	KEY
	33001307	1	GASKET
	33002106	1	SPRING MAIN BROOM
	33003175	1	BEARING TAPER ROLLER 32007
	33008583	1	POWER FUSE 250A
	33009648	1	WHEEL SUPERELASTIC 4.00
	33010199	1	FILTER HYDRAULIC OIL
	33011530	1	PLUG
	33015700	1	FAN RADIAL 48V
	33016950	1	GASKET
	33017126	1	GASKET BULB RUBBER L.2930MM
	33017129	1	GASKET BULB REINFORCED L.670MM
	33017171	1	FLAP SIDE
	33017172	1	FLAP SIDE
	33017173	2	FOAM HOPPER SIDE
	33017174	1	FLAP REAR BROOM
	33017199	1	SPRING
	33017221	1	GAUGE 48V
	33017232	1	MOTOR FILTER SHAKER 48V
	33017255	1	BROOM SIDE PPL 259X550
	33017257	1	GASKET BULB REINFORCED L.900MM
	33017259	1	MAT PEDAL
	33017356	1	HARNESS CONTROL PANEL BATTERY
	33017357	1	HARNESS REAR COVER BATTERY VERSION
	33017360	1	BREAKER CIRCUIT 16A
	33017361	3	BREAKER CIRCUIT 10A
	33017362	1	HARNESS ELECTRIC MOTOR
	33017375	1	DECAL GAUGE PANEL BATTERY
	33017376	1	HARNESS MAIN BATTERY
	33017385	1	RELAY TIMER 0.5 SEC.
	33017449	1	CONTACTOR UNIPOLAR 48V
	33018258	1	BLOWER CENTRIFUGAL 24V
	33018634	1	GASKET ADHESIVE 15X15 L.2560MM
	33018803	1	LATCH KIT
	33018812	1	DISTRIBUTOR 3 ELEMENTS KIT
	33018815	1	DISTRIBUTOR 1 ELEMENT KIT
	33018816	1	VALVE PRIORITY KIT OLD VERSION
	33018817	1	CHECK VALVE 1/4 DUAL PILOT KIT
	33018840	2	CUTOFF VALVE KIT
	33018841	1	FOOT PEDAL UPPER KIT
	33018843	1	SWITCH SUCTION KIT
	33018844	1	SWITCH HORN KIT

RECOMMENDED SPARE PARTS

SR 1601 B

04-12-2013

Part List ID
SR1601B0570

74

Pos	Part no.	Qty	Description
	33018853	1	BROOM MAIN CHEVRON PPL 0.5 WHITE WAVY
	33018866	1	SUPPORT BEARING KIT
	33018867	1	ROD SPRING KIT
	33018868	1	LEVER WELDT KIT
	33018869	1	ROD LEVER KIT
	33019102	1	PIN SIDE BROOM KIT
	33019166	1	CONNECTOR 350 AMP BLUE
	33019197	1	RELAY TIMER 0.5 SECONDS
0	33019568	1	FAN COOLING 48V 5.8W DC for motor 33017260
0	33019625	1	CARBON BRUSHES KIT 4 PCS for motor 33017260
	33020442	1	KEY START ASSY WITH SPAREKEY KIT
0	33022519	1	WHEELS SUPERELASTIC 5.00/8 KIT
	8-24-04139-1	1	FLTR PANEL ULTRA-WEB CELLULOSE
	909 5101 000	1	FUSE 30A

OPTIONALS

SR 1601 B

04-12-2013

Part List ID
SR1601B0590

75

No Drawing For Part List

OPTIONALS

SR 1601 B

04-12-2013

Part List ID
SR1601B0590

76

Pos	Part no.	Qty	Description	
	33018852	1	BROOM MAIN CHEVRON NYLON 1.2	
	33018854	1	BROOM MAIN CHEVRON PPL d.0.7 WHITE/STEEL	
	33018855	1	BROOM MAIN CHEVRON UNION MIX	
	33018889	1	BROOM SIDE PPL 1.5/STEEL 0.35	
	33018890	1	BROOM SIDE NYLON 0.5	
	33019171	1	GUARD OVERHEAD KIT	
	33019172	1	WHEEL SOLID NO MARKING KIT	
	33019173	1	BROOM LEFT SIDE KIT	
	33019174	1	STEERING ADJUSTABLE KIT	
	33019177	1	FILTER POCKET 48V KIT	
0	33019377	1	PRE MISTING SYST. 48V KIT	
	33019554	1	BELT SEAT KIT	
	33019556	1	ARM REST RIGHT SIDE KIT	
	33019560	1	LIGHT FRONT 48V KIT	
	33019570	1	MAT FLOOR KIT	
	33019571	1	SIDE BROOM PROTECTION KIT	
	33019572	1	GUARD REAR BUMPER KIT	
	33019573	1	METAL LINER HOPPER KIT	
	33019574	1	BACKUP ALARM KIT	
0	33020002	1	SOFT CABIN KIT	
	33020056	1	PLUGGED HOPPER FILTER SENSOR KIT	
	33020361	1	LIMITING SPEED KIT RETROFIT	
	33021392	1	HOPPER PROTECTION KIT	
	56305223	1	BEACON WARNING	
	56305518	1	SWITCH VACUUM	
	56305627	1	TROUBLE LAMP	
0	56382789	1	FILTER PANEL POLY HIGH FLOW	
0	56456590	1	L.P. TANK	
	56507029	1	HOPPER TEMP SENSOR KIT	
	56507033	1	RAISED INTAKE FILTER NO OHG	
0	56507038	1	AMBER STROBE NO OHG	56040898 - INSTRUCTION SHEET
0	56507039	1	AMBER STROBE FOR OHG	56040899 - INSTRUCTION SHEET
	56507040	1	SUSPENSION SEAT KIT	
	56507740	1	POCKET FILTER WATER RESISTANT	
	56507830	1	LAMP 12V	
	56507908	1	CAP NOZZLE	
	56507916	1	STRAINER CHECK VALVE 5 PSI	
	56508709	1	NOZZLE SPRAY .10	
	80562010	1	BATT.48V-375AH WET 2 TRAY W/BFS.	
	80562030	1	CHARGER 48V-50A HF CPL-SB350B 3PHASE	