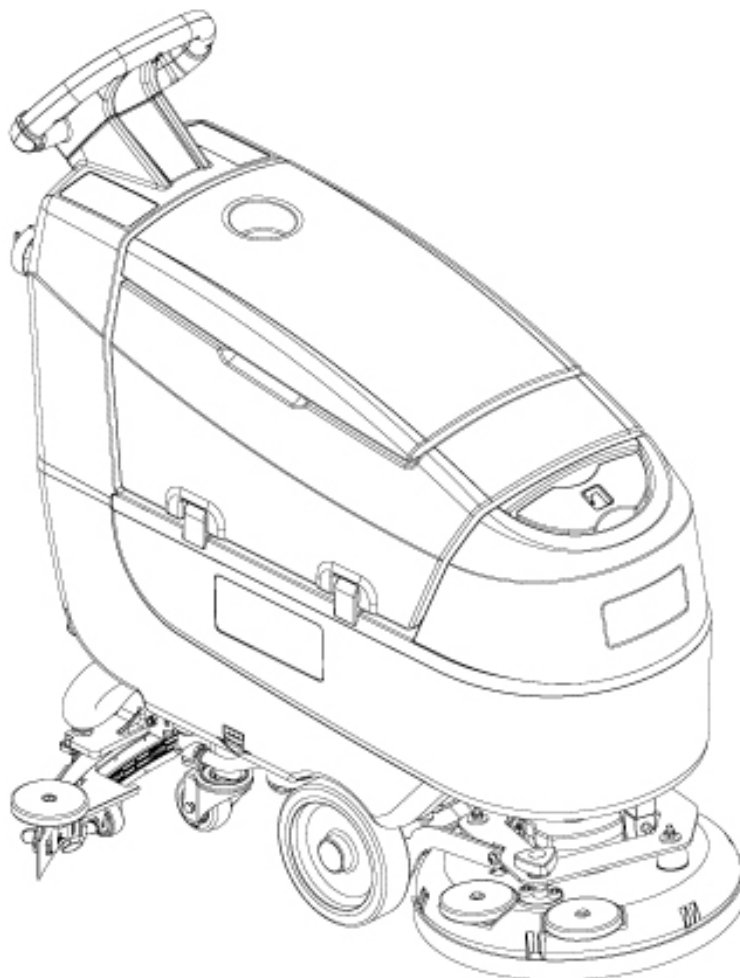


# PARTS LIST



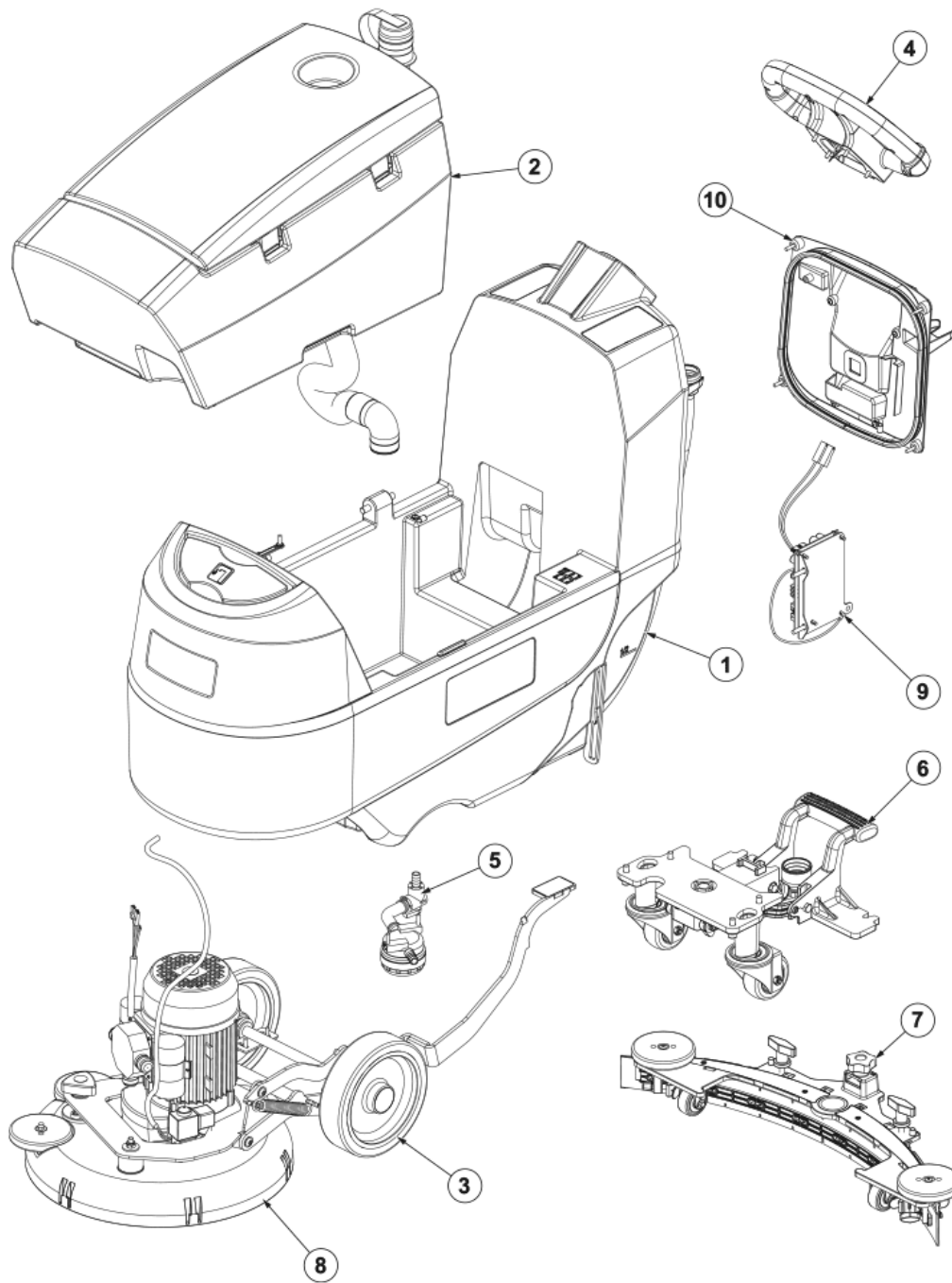
2023.08.24

# NILFISK

# TABLE OF CONTENTS

---

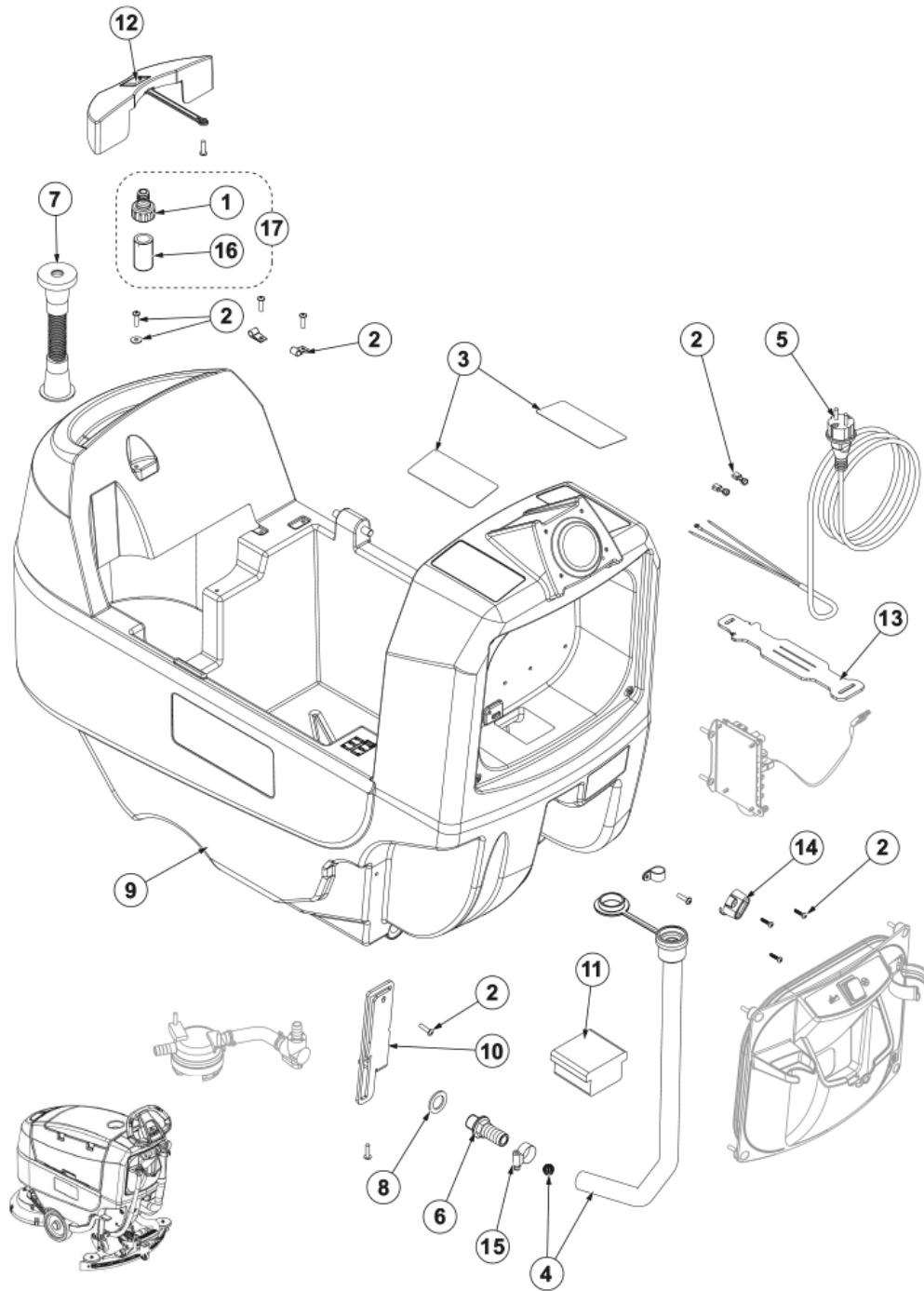
PL GENERAL VIEW .....	1
PL SOLUTION TANK SYSTEM .....	3
PL RECOVERY TANK SYSTEM .....	5
PL VACUUM MOTOR SYSTEM .....	7
PL WHEELS SYSTEM .....	9
PL HANDLEBAR SYSTEM .....	11
PL REAR WHEELS SYSTEM .....	13
PL SQUEEGEE SYSTEM .....	15
PL BRUSH DECK .....	17
PL ELECTRICAL COMPONENTS SYSTEM .....	19
PL COVER ELECTRONIC SYSTEM .....	21
PL ACCESSORIES - OPTIONALS .....	23
PL BRUSHES .....	25
PL WIRING DIAGRAM .....	27
PL RECOMMENDED PARTS .....	29



No.	Part No.	Qty.	Description	Part Note
1		1	SOLUTION TANK SYSTEM	[1]
2		1	RECOVERY TANK SYSTEM	[2]
3		1	WHEELS SYSTEM	[3]
4		1	HANDELABAR SYSTEM	[4]
5		1	SOLUTION SYSTEM	[5]
6		1	REAR WHEELS SYSTEM	[5]
7		1	SQUEEGEE SYSTEM	[6]
8		1	BRUSH DECK SYSTEM	[7]
9		1	ELECTRICAL COMPONENTS SYSTEM	[8]
10		1	COVER ELECTRONIC SYSTEM	[9]
	9100002996		CARDBOARD BOX 1400X690X1150MM SET	[10]

Part Notes:

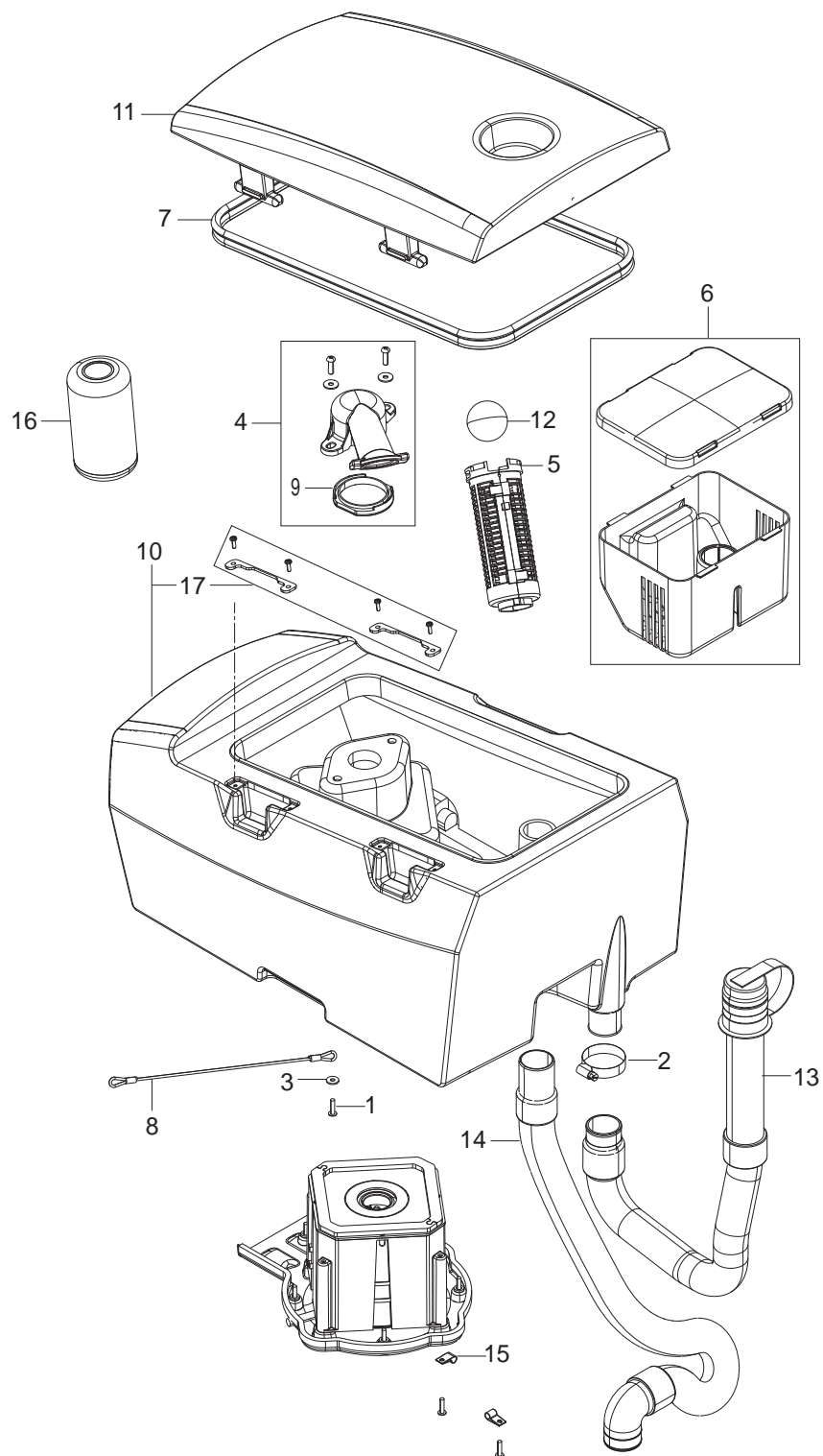
- [1] - PL SOLUTION TANK SYSTEM
- [2] - PL RECOVERY TANK SYSTEM
- [3] - PL WHEELS SYSTEM
- [4] - PL HANDLEBAR SYSTEM
- [5] - PL REAR WHEELS SYSTEM
- [6] - PL SQUEEGEE SYSTEM
- [7] - PL BRUSH DECK
- [8] - PL ELECTRICAL COMPONENTS SYSTEM
- [9] - PL COVER ELECTRONIC SYSTEM
- [10] - 5 pcs.



No.	Part No.	Qty.	Description	Part Note
1	1402809	1	QUICK COUPLING MALE W.	
2	9100002424	1	HARDWARE SOLUTION TANK KIT	
3	9100002434	1	DECALS FUNCTIONS SETTING KIT	
4	9100002431	1	HOSE FRESH WATER LEV. W/CAP KIT	
5	909 6229 000	1	CABLE POWER SUPPLY	[1]
6	9100000574	1	BARB HOSE STRAIGHT	
7	9100000703	1	HOSE FILLING PKD	
8	9100001139	1	GASKET RUBBER	
9	9100002428	1	TANK SOLUTION 30L PLAST. GREY SIP	
10	9100002433	1	SUPPORT PEDAL SS SIP	
11	9100002511	1	PANEL RUBBER FOAM F WATER PROTECTION SIP	
12	9100002430	1	CAP RUBBER F SOLUTION TANK SIP	
13	9100002512	1	BAND ELASTIC F CABLE POWER SUPPLY SIP	
14	L08338600	1	CLAMP CABLE UL	
15	L08603916	1	Clamp	
16	9100002435	1	CONNECTOR MALE THD 3/4 G PLAST.BLACK SIP	
17	9100002572	1	HOSE QUICK CONNECTION	[2]

Part Notes:

- [1] - Lenght: 20 m
- [2] - OPTIONAL



# PL RECOVERY TANK SYSTEM

SC401 43 E NIL

2021.04.08

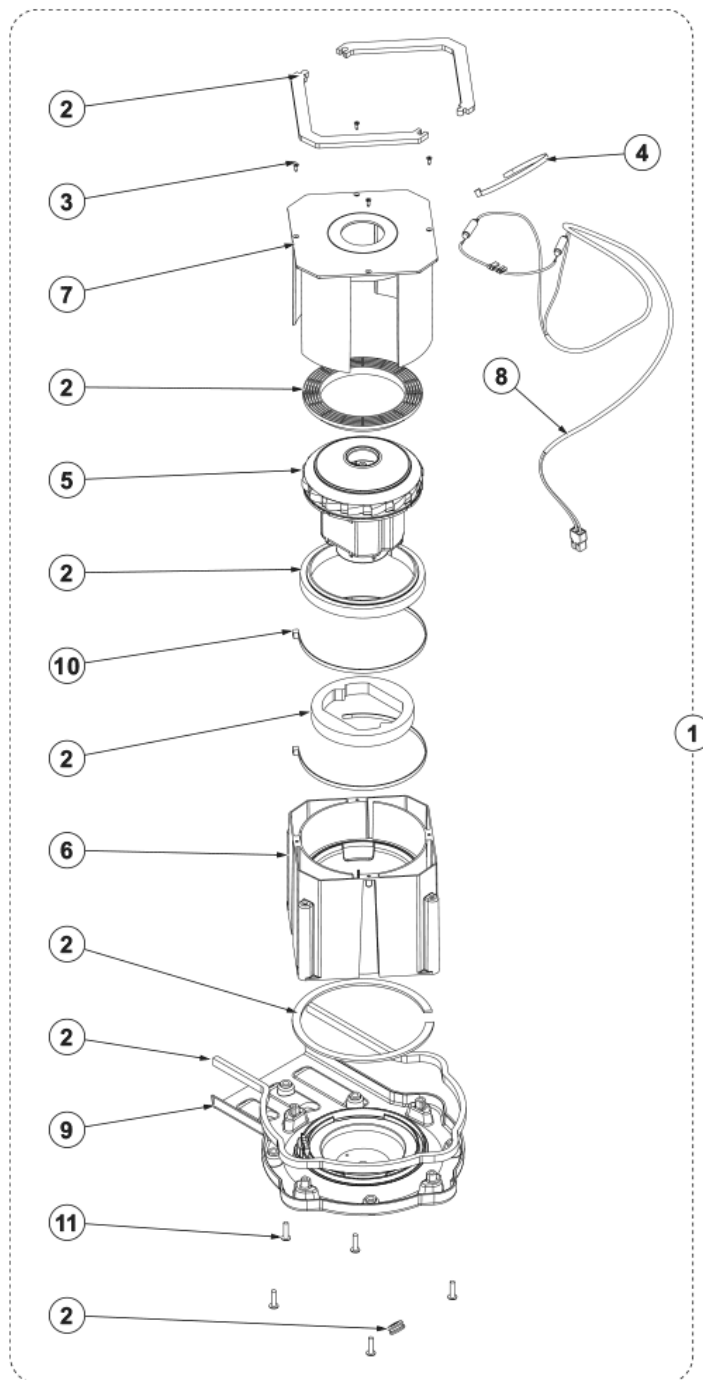
2021.04.08

No.	Part No.	Qty.	Description	Part Note
1	9100002437	1	SCREW M5X20 TORX ISO7380-2 10 PCS SET	
2	9100001348	1	CLAMP 14/32-52 10 PCS SET	
3	145 8280 000	1	WASHER PLAIN M5X15 SS ISO7093	
4	9100001875	1	SUPPORT FLOAT KIT	
5	9100000818	1	CAGE FLOAT HALF 2 PCS SET	
6	9100000795	1	TRAY DEBRIS KIT	
7	1467894000	1	GASKET BULB RUBBER L.2450 MM SIP	
8	9100002438	1	CABLE SAFETY F TANK SIP	
9	9100000928	1	GASKET FLOAT SUPPORT PKD	
10	9100002984	1	TANK RECOVERY 30L PLAST. GREY KIT	
11	9100002441	1	COVER PLAST. GREY F TANK 30L SIP	
12	9100000817	1	BALL FLOATING SIP	
13	9100002443	1	HOSE DRAIN BLACK L.590MM SIP	
14	9100002444	1	HOSE SUCTION SQUEE. 90 BLACK L.970MM SIP	
15	L08193000	2	CLAMP CABLE BLACK	
16	909 5065 000	1	FILTER ANTIFOAMING	[1]
17	9100002985	1	PLATE HINGE LOCATOR KIT	

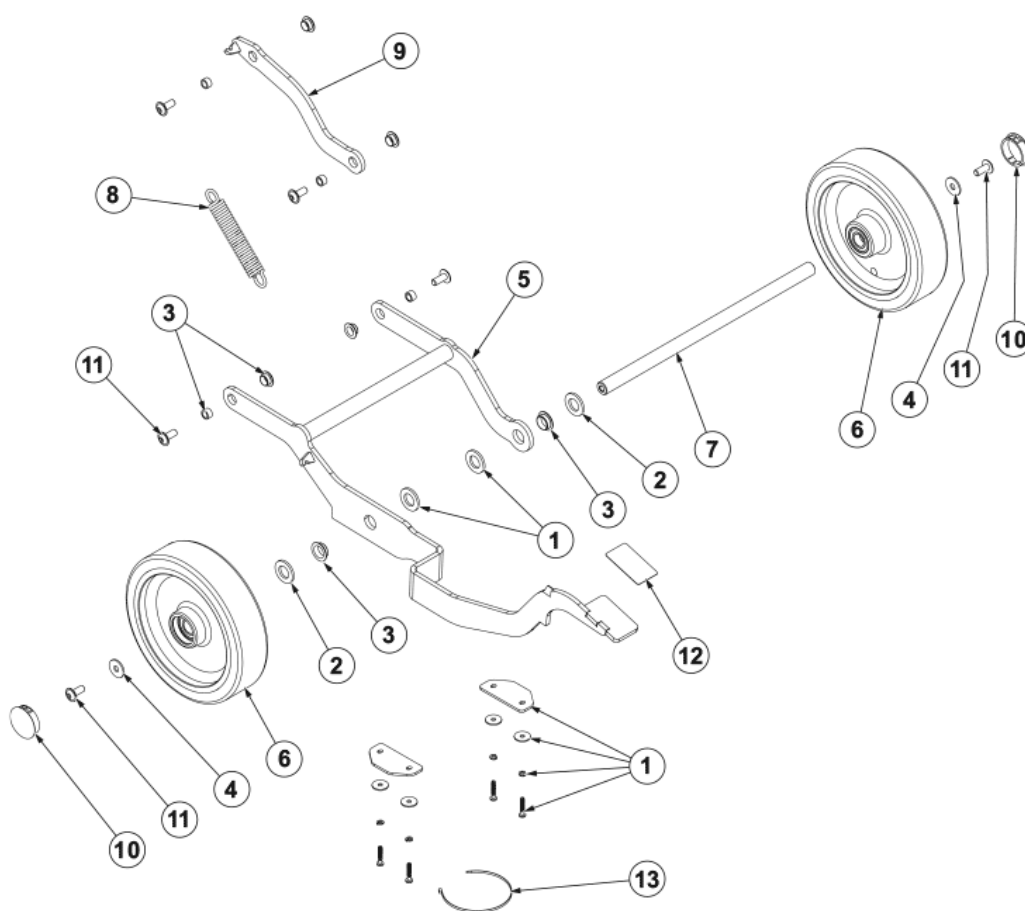
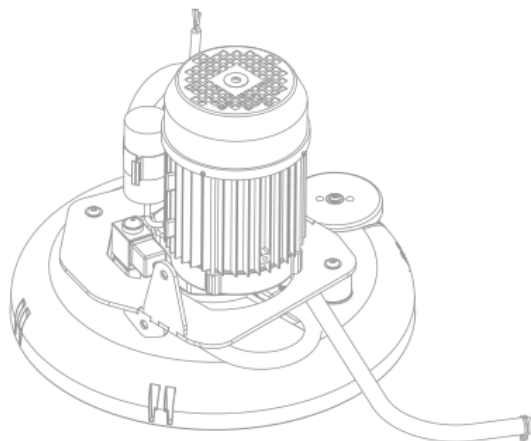
**Part Notes:**

[1] - OPTIONAL

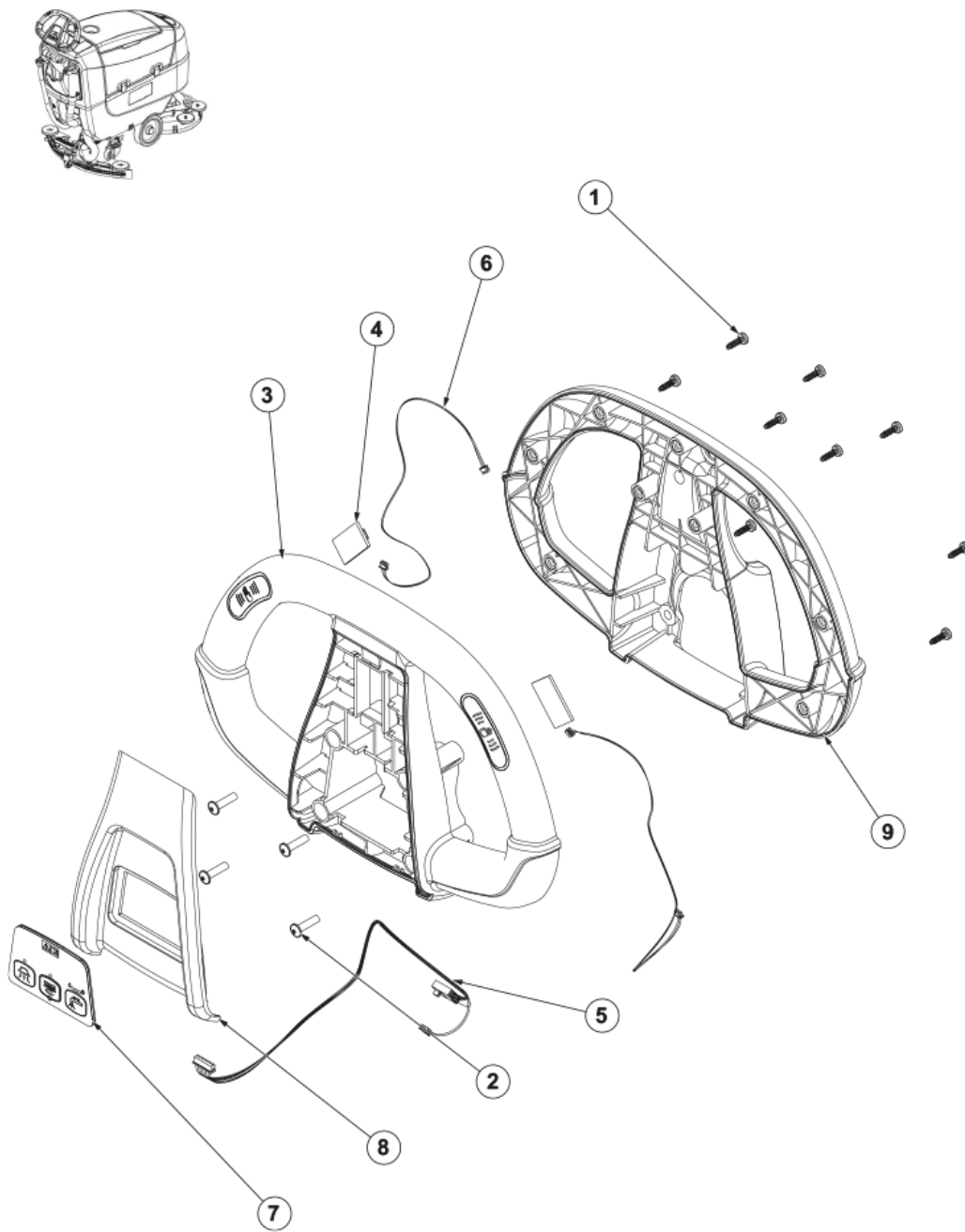




No.	Part No.	Qty.	Description	Part Note
1	9100002535	1	MOTOR VACUUM 280W 230V KIT	
2	9100002447	1	GASKETS VAC. MOTOR KIT	
3	145 1756 000	4	screw TSPTC 2 9*9 AUTOF.	
4	1466344000	1	TIE CABLE 4.8x200 BLACK	
5	9100002552	1	VACUUM MOTOR 280W 230V SIP	
6	9100001983	1	SUPPORT EXT. PLAST. F VAC. MOTOR KIT	
7	9100001989	1	SUPPORT INT. PLAST. F VAC. MOTOR SIP	
8	9100002513	1	HARNES VACUUM MOTOR 230V SIP	
9	9100002446	1	SUPPORT PLAST. F VACUUM MOTOR SIP	
10	1466337000	1	TIE CABLE 4.8X430 WHITE 2 PCS SET	
11	9100002437	1	SCREW M5X20 TORX ISO7380-2 10 PCS SET	



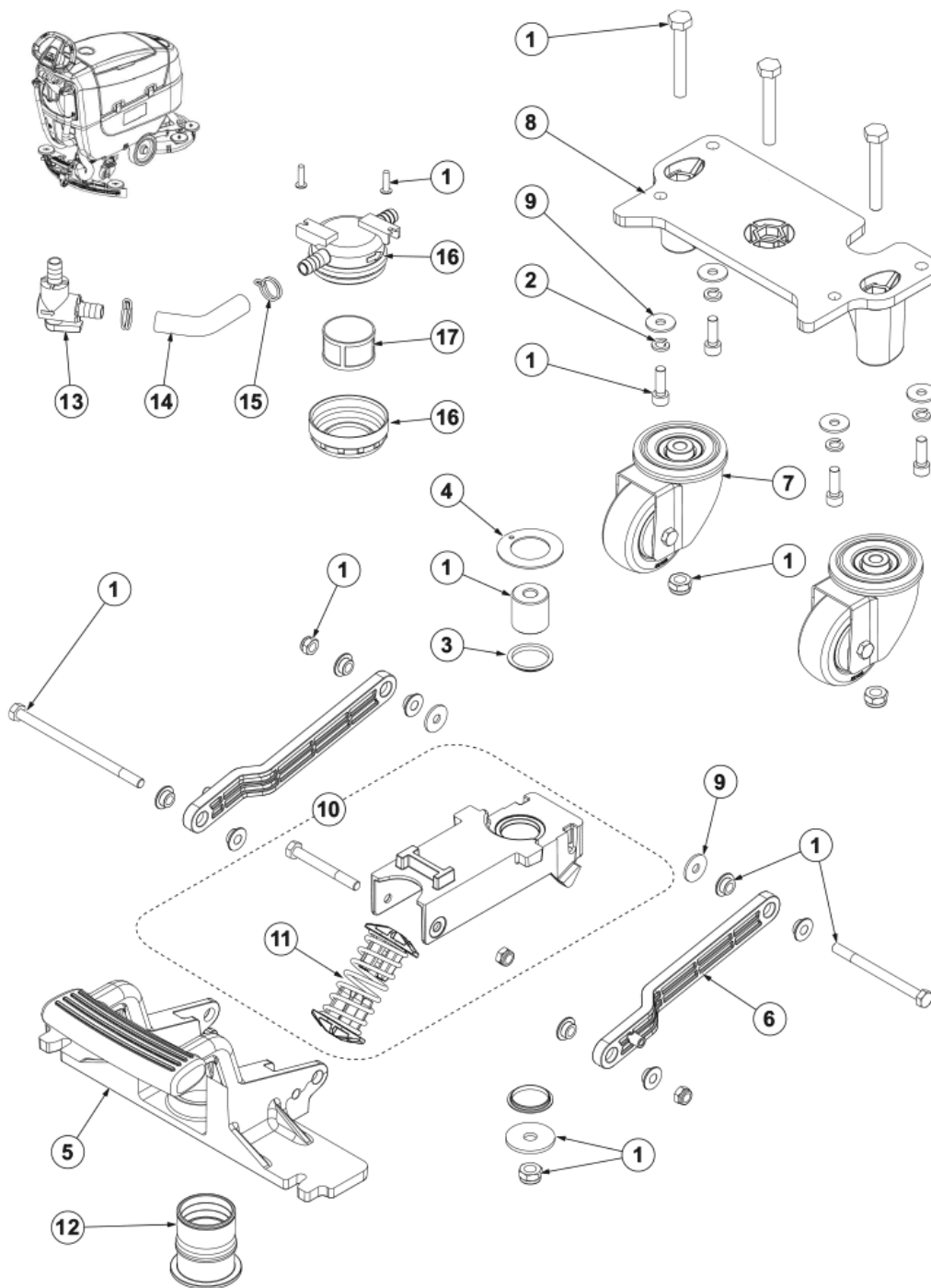
No.	Part No.	Qty.	Description	Part Note
1	9100002465	1	HARDWARE FRONT WHEELS SYST.NO DRIVE KIT	
2	33023628	1	WASHER PLAIN M16X30 ISO7089 10PCS.SET	
3	9100002458	1	BUSHINGS AND BEARINGS F PEDAL SYST. KIT	
4	33023660	1	WASHER PLAIN M8X24X2 ISO7093 5 PCS SET	
5	9100002461	1	PEDAL BRUSH LIFTING GALV. SIP	
6	9100002462	2	WHEEL D.200X50 TPE BLACK/GREY SIP	
7	9100002463	1	SHAFT WHEELS PHOS. SIP	
8	9100002452	1	SPRING EXTENTION D.E.20.5 WIRE D.3.5 SIP	
9	9100002464	1	LEVER BRUSH DECK GALV. SIP	
10	9100002450	1	PLUG DOME O.D.42.4 PLAST.BLACK 2 PCS SET	
11	9100002456	1	SCREW M8X20 BUTTON ISO7380-2 10 PCS SET	
12	9100002457	1	ANTI-SLIP SURFACING BLACK 35X60MM SIP	
13	1466344000	1	TIE CABLE 4.8x200 BLACK	



No.	Part No.	Qty.	Description	Part Note
1	140 9214 040	9	SCREW	
2	9100002437	1	SCREW M5X20 TORX ISO7380-2 10 PCS SET	
3	9100003037	1	HANDLE BAR KIT	[1]
4	9100002016	2	SENSOR CAPACITIVE SIP	
5	9100002468	1	HARNESS DASHBOARD SIP	
6	9100002469	2	HARNESS HANDLE BAR SENSORS SIP	
7	9100002514	1	CONTROLLER USER INTERFACE 230V SIP	
8	9100002553	1	COVER CENTRAL PLAST. F HANDLE BAR SIP	
9	9100003037	1	HANDLE BAR KIT	[1]

## Part Notes:

- [1] - TSB-FC-2020-012 SC401 handelbar  
DE TSB-FC-2020-012 SC401 Bediengriff



# PL REAR WHEELS SYSTEM

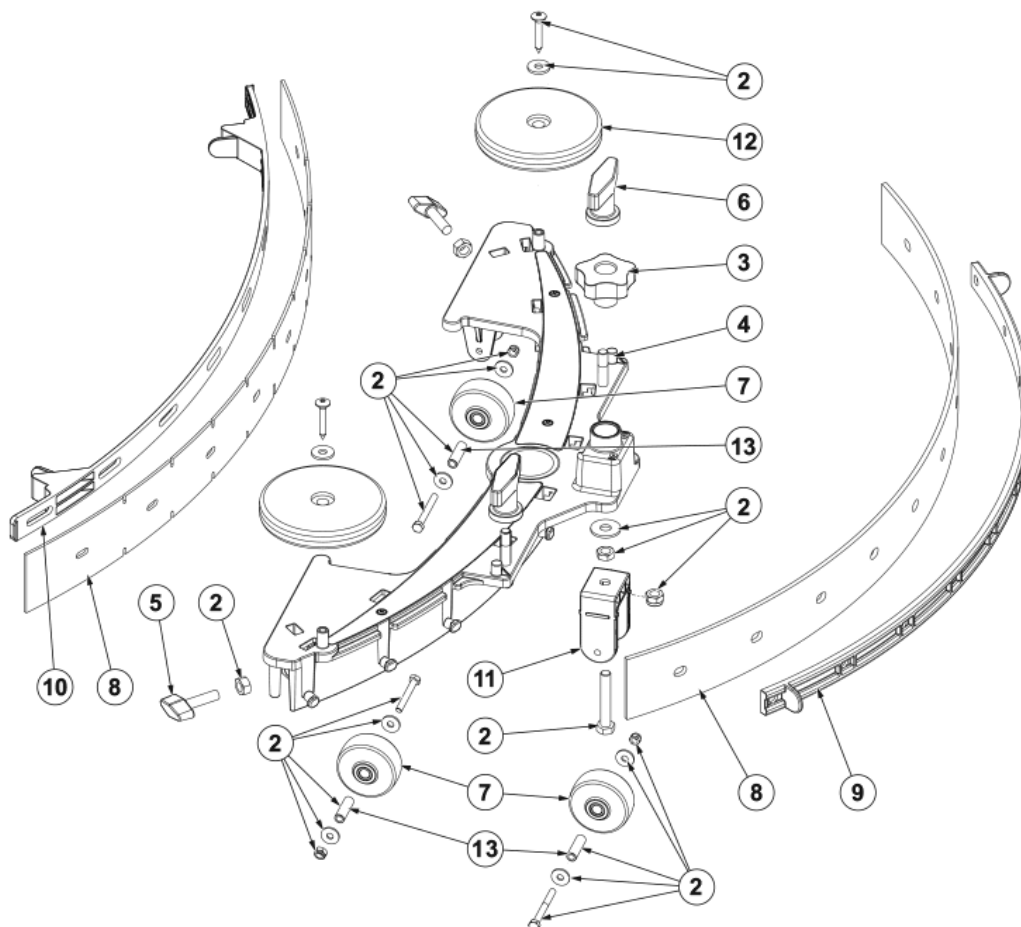
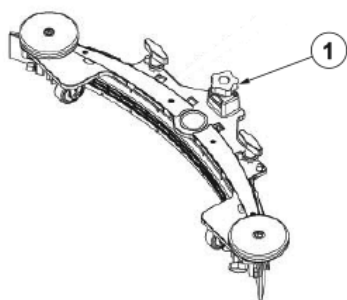
SC401 43 E NIL

2017.11.02

2017.12.06

No.	Part No.	Qty.	Description	Part Note
1	9100002475	1	HARDWARE REAR WHEELS SYSTEM KIT	
2	33023223	1	WASHER SPRING LOCK M8	
3	9100000902	1	BEARING FLANGE IGLIDUR	
4	9100000903	1	WASHER THRUST GTM	
5	9100000853	1	SUPPORT LOWER F SQUEEGEE SIP	
6	9100000854	1	LEVER SQUEEGEE LIFT 2	
7	9100000856	1	WHEEL CASTOR D.80 2 PCS	
8	9100002473	1	SUPPORT ALU F REAR WHEELS-SQUEEGEE SIP	
9	33023660	2	WASHER PLAIN M8X24X2 ISO7093 5 PCS SET	
10	9100002400	1	SUPPORT UPPER F	
11	9100002401	1	SPRING COMPRESSION KIT	
12	9100002396	1	SLEEVE RUBBER BLACK F	
13	9100000803	1	VALVE ELBOW PKD	
14	9100002474	1	HOSE PVC W/SPIRAL D.12X18 L.100MM SIP	
15	9100001159	1	CLAMP DOUBLE WIRE SPRING D.18 10 PCS SET	
16	9100000860	1	FILTER WATER PKD	
17	9100000861	1	NET WATER FILTER	

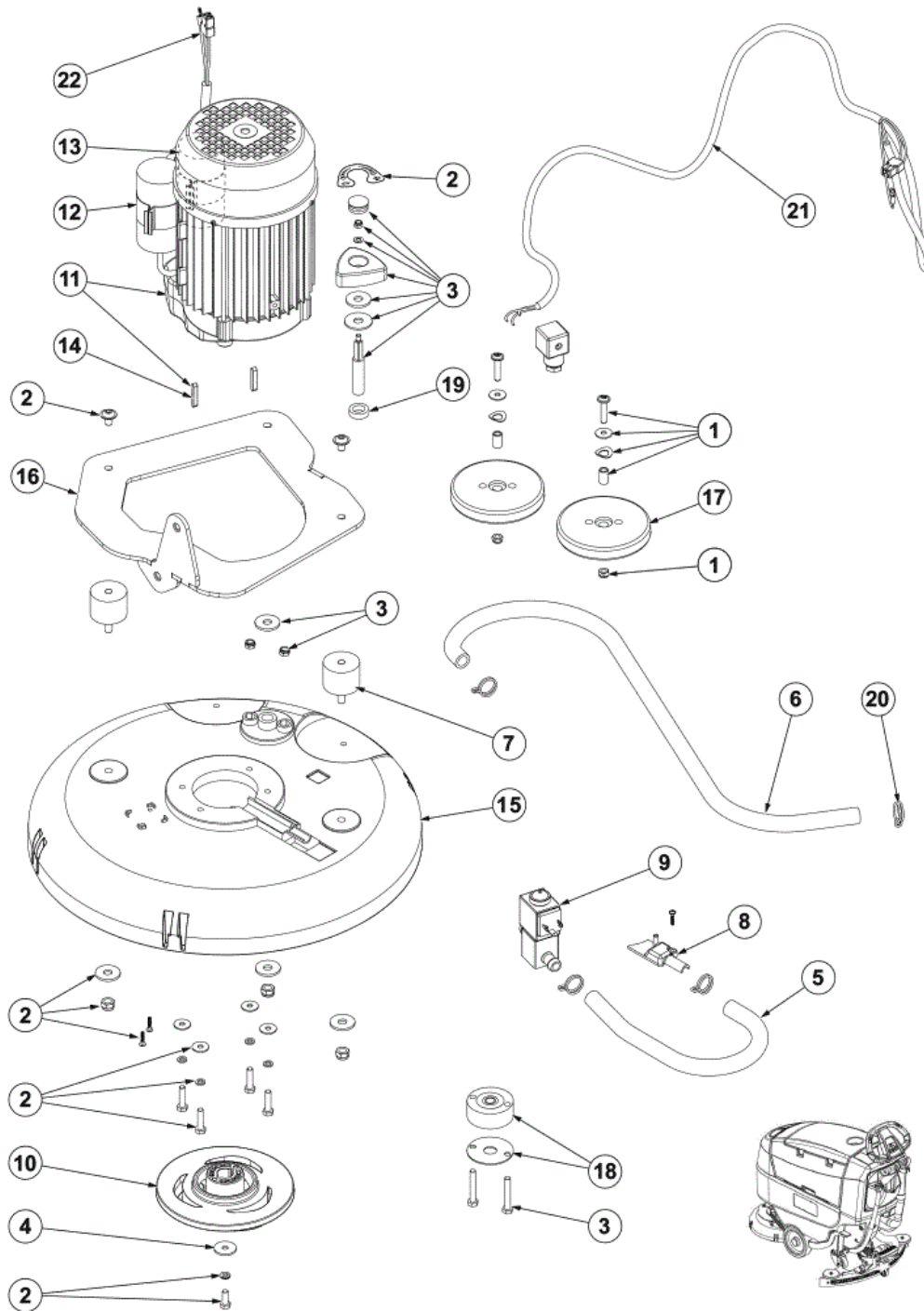




No.	Part No.	Qty.	Description	Part Note
1	9100002570	1	SQUEEGEE 700MM 28 PLAST. KIT	
2	9100000748	1	HARDWARE SQUEEGEE KIT	
3	9100000862	1	KNOB LOBES M8 FEMALE SIP	
4	9100000747	1	SQUEEGEE 730MM/29	
5	9100000791	2	KNOB M8X30 THD STUD SS	
6	9097637000	1	SQUEEGEE FIXING KIT	
7	9100000559	3	WHEEL D.51 GREY PKD	
8	9100002541	1	BLADE SQUEEGEE 700MM 28 GUM KIT	[1]
8	9100002542	1	BLADE SQUEEGEE 700MM 28 PU KIT	[1]
8	9100002543	1	BLADE SQUEEGEE 700MM 28 RED GUM KIT	[1]
9	9100000864	1	STRAP ELASTIC F REAR	
10	9100000865	1	STRAP FRONT SQUEEGEE	
11	9100000866	1	SUPPORT SQUEEGEE WHEEL	
12	9100001816	1	WHEEL BUMPER D.100	
13	9100002408	1	BEARING SLEEVE D.5.1X8 H.28.5 3 PCS SET	

Part Notes:

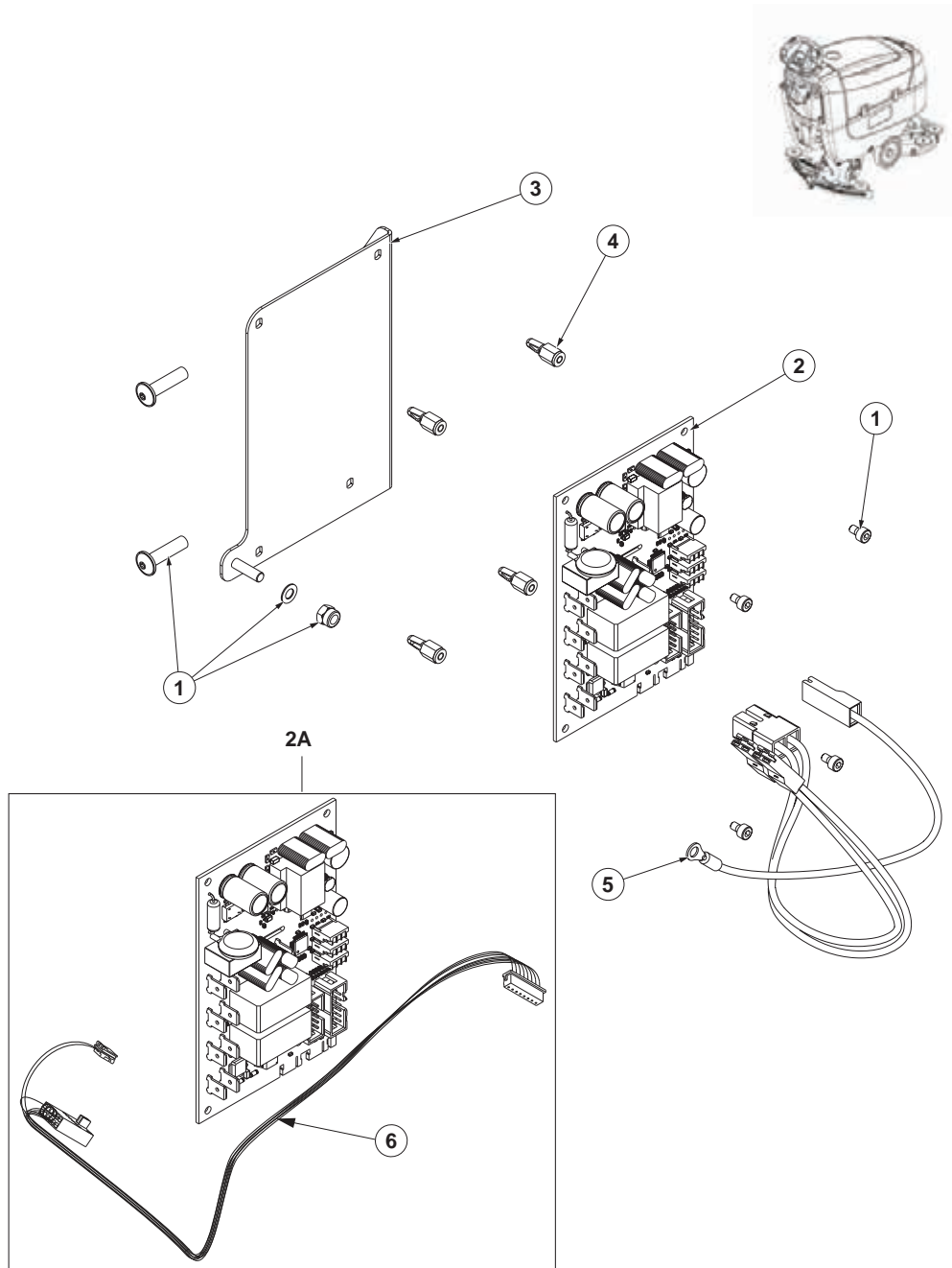
[1] - OPTIONAL



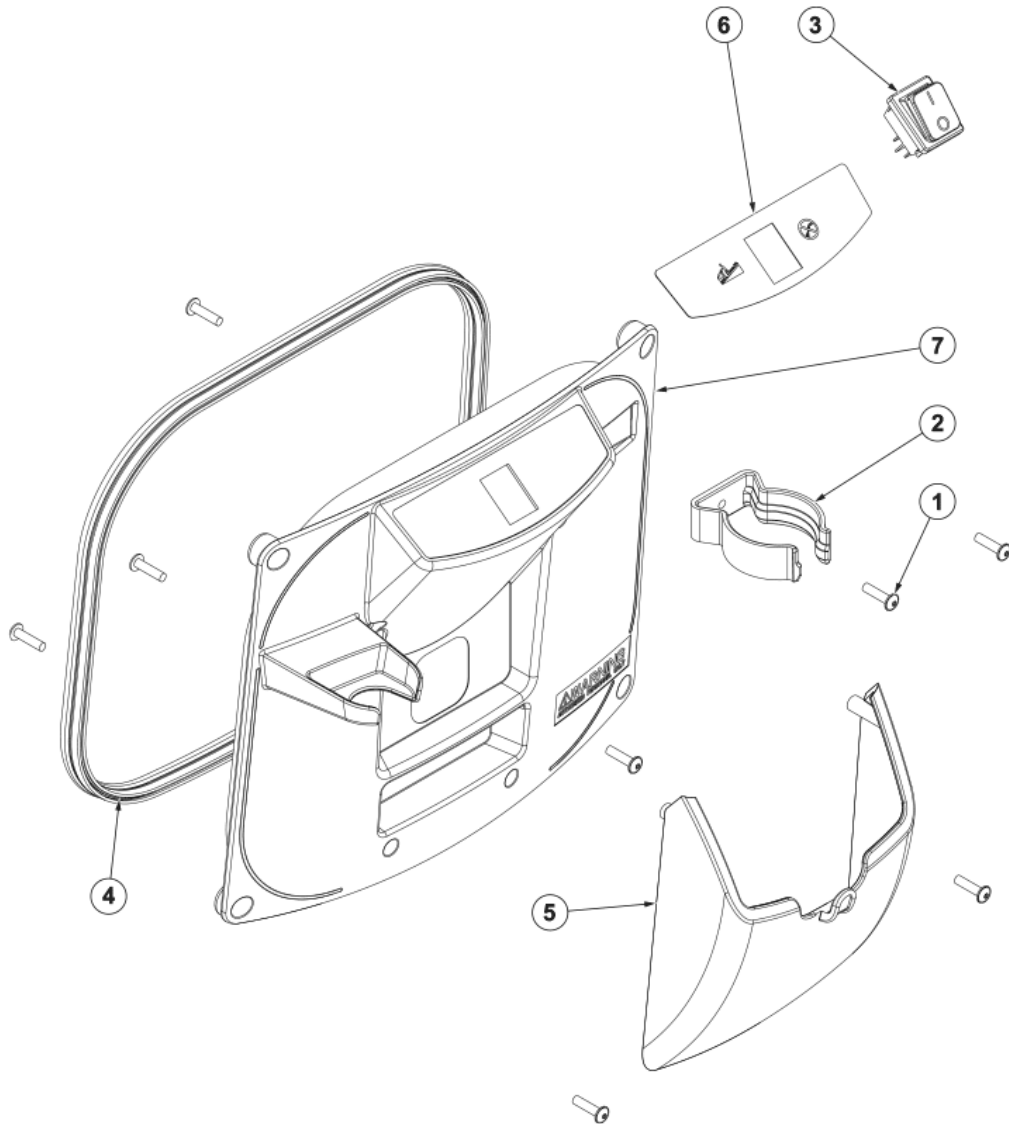
No.	Part No.	Qty.	Description	Part Note
1	9100002481	1	HARDWARE BUMPER WHEELS KIT	
2	9100002482	1	HARDWARE BRUSH DECK KIT	
3	9100002483	1	KNOB BRUSH SPEED ADJUSTM. KIT	
4	9100001272	1	WASHER PLAIN M6X24 SS	
5	9100002479	1	HOSE PVC W/SPIRAL D.12X18 L.330MM SIP	
6	9100002480	1	HOSE PVC W/SPIRAL D.12X18 L.800MM SIP	
7	9100000868	1	VIBRATION DAMPING M8	
8	9100000869	1	COVER SOLUTION HOSE	
9	9099246000	1	SOLENOID VALVE 220-230V	
10	9100000871	1	HUB BRUSH PKD	[1]
K1	9097093000	1	HOLDER POLYGONAL KIT	[1]
11	9100002536	1	REDUCTION GERMOTOR 750W 230V SIP	
12	9100002537	1	CAPACITOR ELECTRIC SIP	
13	9100002538	1	CAPACITOR RUN SIP	
14	9100000875	1	KEY 5X5X30 DIN6885 2	
15	9100002477	1	DECK BRUSH 430MM/17 PLAST. SIP	
16	9100002478	1	PLATE BRUSH DECK HOLDER GALV. SIP	
17	9100001816	1	WHEEL BUMPER D.100	
18	L08812780	1	FIXING BRUSH PLATE KIT	
19	9100002484	1	SPACER D.12.5X20 H.6 PLAST. SIP	
20	9100001159	1	CLAMP DOUBLE WIRE SPRING D.18 10 PCS SET	
21	9100002515	1	HARNESS SOLENOID VALVE 230V SIP	
22	9100002539	1	HARNESS BRUSH MOTOR SIP	

Part Notes:

- [1] - TSB-FC-2019-037 brush hub SC500\_SC2000\_SC401  
DE TSB-FC-2019-037 SC500 SC2000 SC401 Bürstenaufnahme

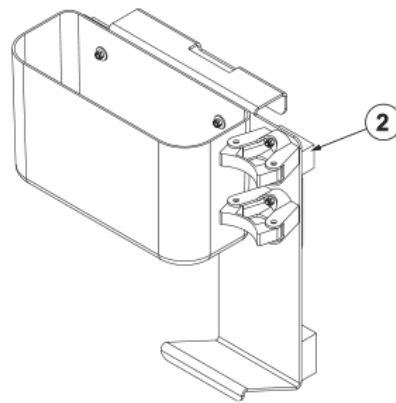
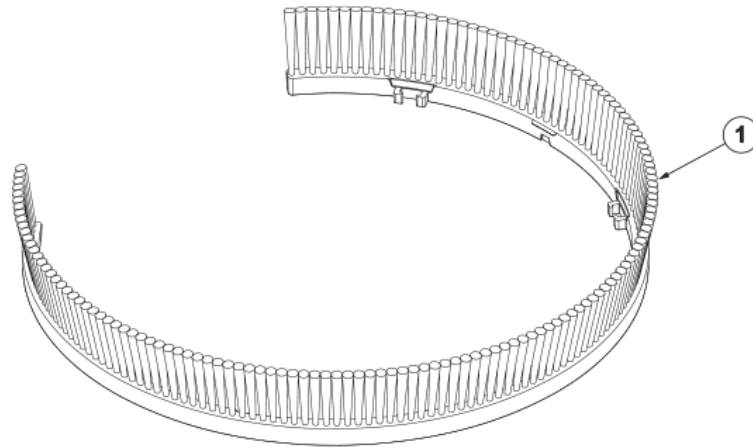


No.	Part No.	Qty.	Description	Part Note
1	9100002518	1	HARDWARE ELECTR. COMP. SYSTEM KIT	
2	9100003280	1	CONTROLLER MAIN MACHINE CA KIT	
2A	9100003280	1	CONTROLLER MAIN MACHINE CA KIT	
3	9100002516	1	SUPPORT GALV. F CONTR. MAIN MACH. CA SIP	
4	9100002488	1	SUPPORT THD PLAST F CONTROLLER 4 PCS SET	
5	9100002517	1	HARNESS ELECT.COMP. BOX CA SIP	
6	9100002468	1	HARNESS DASHBOARD SIP	



No.	Part No.	Qty.	Description	Part Note
1	9100002437	1	SCREW M5X20 TORX ISO7380-2 10 PCS SET	
2	909 6380 000	1	CLAMP KIT	
3	9099357000	1	SWITCH DOUBLE-POLE	
4	9100002496	1	GASKET BULB REINFORCED L.1050MM SIP	
5	9100002497	1	POCKET PLAST. F ELECTR. BOX COVER SIP	
6	9100002520	1	DECAL ELECTRIC BOX COVER CA SIP	
7	9100002521	1	COVER PLAST. F ELECT. COMP. BOX CA SIP	





# PL ACCESSORIES - OPTIONALS

SC401 43 E NIL

2017.11.02

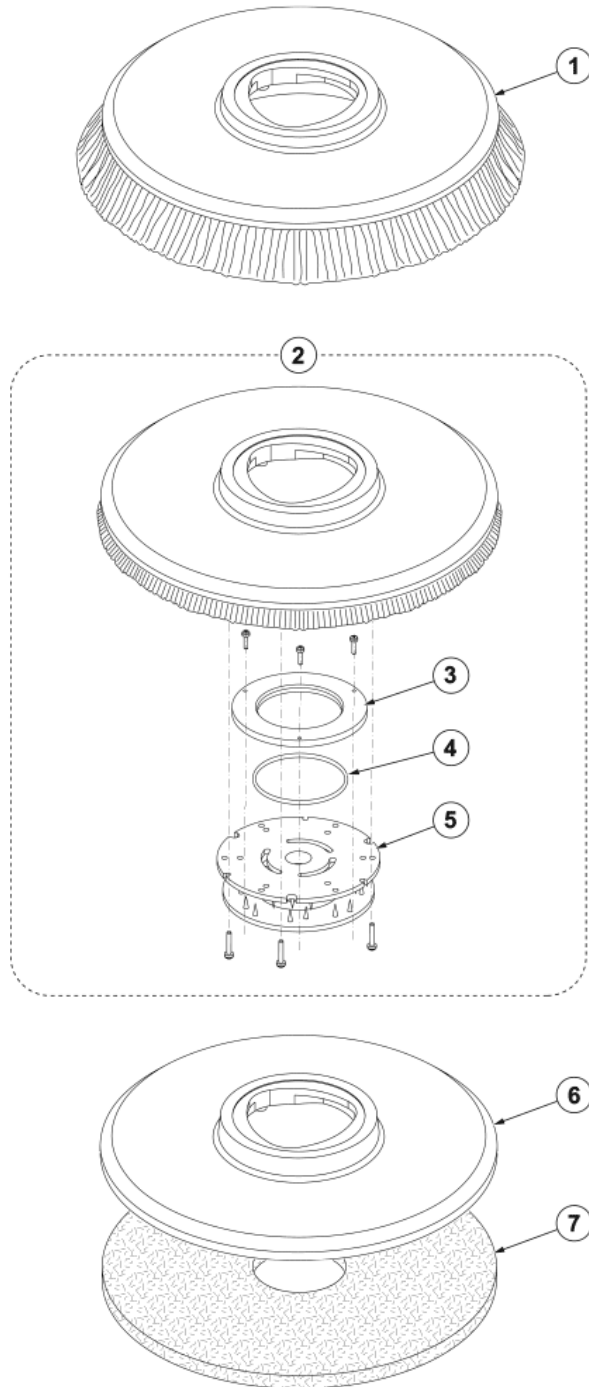
2017.12.06

---

No.	Part No.	Qty.	Description	Part Note
1	9100001927	1	SPLASH GUARD W/BRISTLES F DECK 17 432MM	[1]
2	9100002280	1	MOP AND TRASH KIT	[1]

Part Notes:

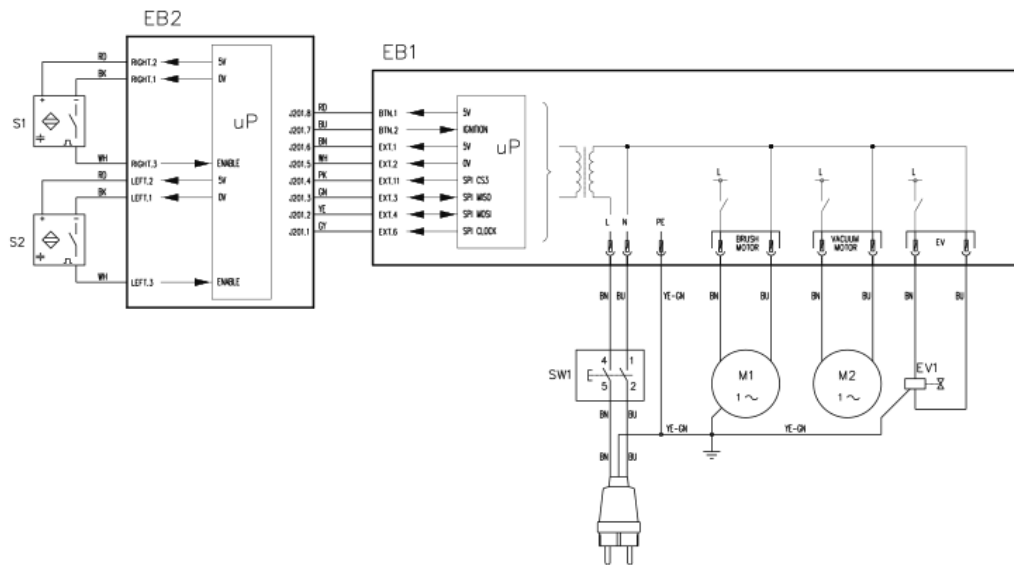
[1] - OPTIONAL



No.	Part No.	Qty.	Description	Part Note
1	L08812891	1	BRUSH D.430 PROLENE PPL	[1]
1	909 5691 000	1	BRUSH D.430 MIDLITE GRIT	[1]
1	909 5692 000	1	BRUSH D.430 MIDGRIT 240	[1]
1	909 5693 000	1	BRUSH D.430 PROLITE	[1]
1	909 5694 000	1	BRUSH D.430 UNION MIX	[1]
2	9100001897	1	PAD HOLDER BRISTLE 17	[1]
3	L08603966	1	RING NYLON	
4	L08603965	1	O-RING 2.62X82.22	
5	56505195	1	PAD RETAINER	
6	9100002050	1	PAD HOLDER FLAT 17 432MM	[1]
7	10001936	1	PAD 17 432MM ECO WHITE	[1]
7	10001937	1	PAD 17 432MM ECO TAN	[1]
7	10001938	1	PAD 17 432MM ECO BLACK	[1]
7	10001939	1	PAD 17 432MM ECO BLUE	[1]
7	10001940	1	PAD 17 432MM ECO GREEN	[1]
7	10001941	1	PAD 17 432MM ECO RED	[1]
7	10002336	1	PAD 17 430MM ECO	[1]
7	10002337	1	PAD 17 430MM ECO	[1]
7	10002338	1	PAD 17 430MM ECO	[1]
7	10002339	1	PAD 17 430MM ECO	[1]

Part Notes:

[1] - OPTIONAL



# PL WIRING DIAGRAM

SC401 43 E NIL

2017.11.02

2017.12.06

No.	Part No.	Qty.	Description	Part Note
EB1	9100003280		CONTROLLER MAIN MACHINE CA KIT	
EB2	9100002514		CONTROLLER USER INTERFACE 230V SIP	
EV1	9099246000		SOLENOID VALVE 220-230V	
M1	9100002536		REDUCTION GEARMOTOR 750W 230V SIP	
M2	9100002552		VACUUM MOTOR 280W 230V SIP	
S1,S2	9100002016		SENSOR CAPACITIVE SIP	
SW1	9099357000		SWITCH DOUBLE-POLE	



PL RECOMMENDED PARTS

SC401 43 E NIL

2017.11.02

2017.10.26

No.	Part No.	Qty.	Description	Part Note
NW	9100002541	1	BLADE SQUEEGEE 700MM 28 GUM KIT	
NW	9100002542	1	BLADE SQUEEGEE 700MM 28 PU KIT	
NW	9100002543	1	BLADE SQUEEGEE 700MM 28 RED GUM KIT	
NW	9100002537	1	CAPACITOR ELECTRIC SIP	
OM	9100002431	1	HOSE FRESH WATER LEV. W/CAP KIT	
OM	909 6229 000	1	CABLE POWER SUPPLY	
OM	9100000703	1	HOSE FILLING PKD	
OM	9100002512	1	BAND ELASTIC F CABLE POWER SUPPLY SIP	
OM	9100002443	1	HOSE DRAIN BLACK L.590MM SIP	
OM	9100002444	1	HOSE SUCTION SQUEE. 90 BLACK L.970MM SIP	
OM	9100002447	1	GASKETS VAC. MOTOR KIT	
OM	9100002552	1	VACUUM MOTOR 280W 230V SIP	
OM	9100002462	2	WHEEL D.200X50 TPE BLACK/GREY SIP	
OM	9100000856	1	WHEEL CASTOR D.80 2 PCS	
OM	9100002396	1	SLEEVE RUBBER BLACK F	
OM	9100000861	1	NET WATER FILTER	
OM	9100002570	1	SQUEEGEE 700MM 28 PLAST. KIT	
OM	9100000862	1	KNOB LOBES M8 FEMALE SIP	
OM	9100000747	1	SQUEEGEE 730MM/29	
OM	9100000559	3	WHEEL D.51 GREY PKD	
OM	9100000864	1	STRAP ELASTIC F REAR	
OM	9100000865	1	STRAP FRONT SQUEEGEE	
OM	9100001816	1	WHEEL BUMPER D.100	
OM	9099246000	1	SOLENOID VALVE 220-230V	
OM	9100000871	1	HUB BRUSH PKD	
OM	9100002536	1	REDUCTION GEAR MOTOR 750W 230V SIP	
OM	9100001816	1	WHEEL BUMPER D.100	
EOM	9100002513	1	HARNES VACUUM MOTOR 230V SIP	
EOM	9100002461	1	PEDAL BRUSH LIFTING GALV. SIP	
EOM	9100002463	1	SHAFT WHEELS PHOS. SIP	
EOM	9100002467	1	COVER PLAST. F HANDLE BAR SIP	[1]
EOM	9100002016	2	SENSOR CAPACITIVE SIP	
EOM	9100002468	1	HARNES DASHBOARD SIP	
EOM	9100002469	2	HARNES HANDLE BAR SENSORS SIP	
EOM	9100002514	1	CONTROLLER USER INTERFACE 230V SIP	
EOM	9100003037	1	HANDLE BAR KIT	
EOM	9100002473	1	SUPPORT ALU F REAR WHEELS-SQUEEGEE SIP	
EOM	9100002400	1	SUPPORT UPPER F	
EOM	9100002401	1	SPRING COMPRESSION KIT	
EOM	9100000803	1	VALVE ELBOW PKD	
EOM	9100002474	1	HOSE PVC W/SPIRAL D.12X18 L.100MM SIP	
EOM	9100000860	1	FILTER WATER PKD	
EOM	9100002483	1	KNOB BRUSH SPEED ADJUSTM. KIT	
EOM	9100002479	1	HOSE PVC W/SPIRAL D.12X18 L.330MM SIP	
EOM	9100002480	1	HOSE PVC W/SPIRAL D.12X18 L.800MM SIP	
EOM	9100002477	1	DECK BRUSH 430MM/17 PLAST. SIP	
EOM	9100002515	1	HARNES SOLENOID VALVE 230V SIP	
EOM	9100002539	1	HARNES BRUSH MOTOR SIP	
EOM	9100003280	1	CONTROLLER MAIN MACHINE CA KIT	
EOM	9100002517	1	HARNES ELECT.COMP. BOX CA SIP	

Part Notes:

[1] - PLEASE REFER TO TSB-FC-2020-012



