

PARTS LIST

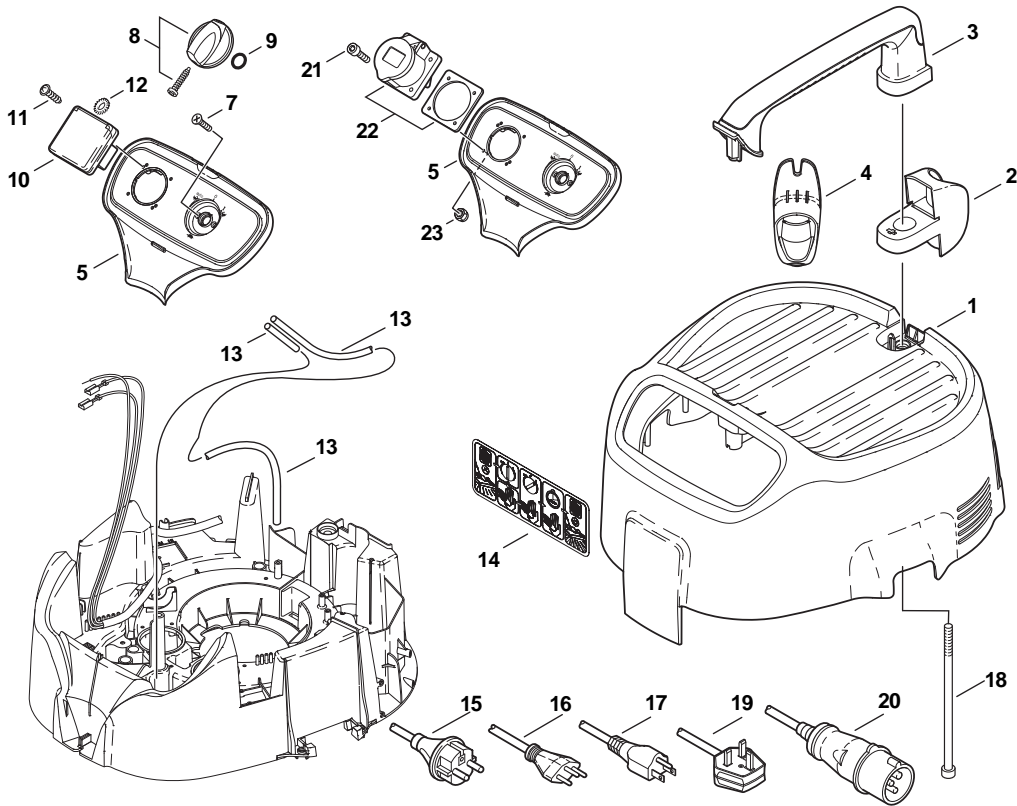


2023.10.11

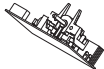
NILFISK

TABLE OF CONTENTS

Cabinet 761-21 XC, 19 GALLON AS/E XC.....	1
Base, motor 761-21 XC, 19 GALLON AS/PE.....	3
Filter, cleaning system 761-21 XC, 19 GALLON AS/PE.....	5
Container 761-21, 19 GALLON AS/PE.....	7
Frame 761-21, 19 GALLON AS/PE.....	9
Accessories 560, 761, 763.....	11
RECOMMENDED SPARE PARTS.....	13




Up to serial number:
 3510170800138



For ATTIX 19 AS/E XC US
 Up to serial number:
 3510174602262

25

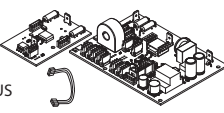
-21
 From serial number:
 3510170800138



For ATTIX 19 AS/E XC US
 From serial number:
 3510174602262

27

From serial number:
 3510170800138



For ATTIX 19 AS/E XC US
 From serial number:
 3510174602262

26



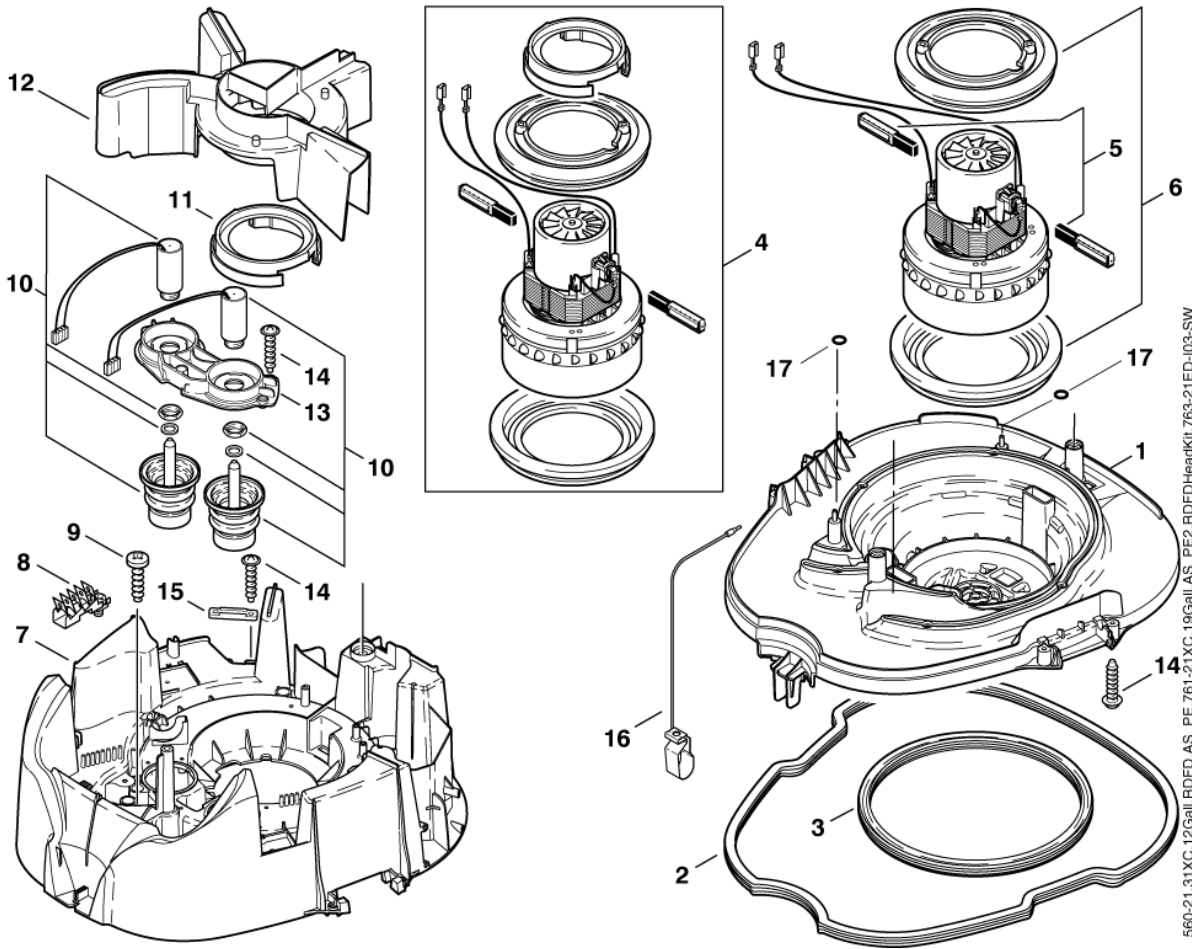
28

No.	Part No.	Qty.	Description	Part Note
1	107402652	1	6OOD W.SOUNDPROOFING	
2	302000382	1	SUCTION TUBE FASTENER	[1]
3	107402650	1	HANDLE KIT	
4	302000380	1	CLIP	
5	302000757	1	SWITCH BOX ATTIX 5-7 21	
7	18274	2	COUNTERS UNK SCREW M4X12	
8	909100204	1	ROTARY KNOB 06X5	
9	9868	1	O-RING 10.2X2.5 NBR 70	
10	107400059	1	SOCKET 16A/250V CH	[2]
10	302004338	1	SOCKET 15A/125V US/CSA	[3]
10	302000683	1	SOCKET 10A/250V DK	[4]
10	302004034	1	SOCKET 16A/250V EU	[5]
10	302004336	1	SOCKET 13A/250V GB	[6]
11	11256	2	SCREW 3.5 X 18	
12	4021	2	SERRATED LOCK WASHER A4	[3]
13	107411687	1	SILIKON HOSE D3X1,5	
14	302000824	1	LABEL "TOTAL CLEAN" 160X	
15	107402642	1	POWER CORD H05RRR-F	[4]
15	107402641	1	POWER CORD H05RRR-F	[5]
16	107420520	1	POWER CORD H05RRR-F 3G1,0MM IP55 CH	[2]
17	302004332	1	POWER CORD SJTW-A AWG14/3X8.4 US	[7]
18	909100084	2	SCREW M6X140	
19	107400270	1	CORD H05RRR-F 3G1.5 BS1	[6]
20	107400271	1	CORD H07BQ-F 3G2.5 GB	[8]
21	50598	4	SCREW M5X20	[8]
22	107402842	1	OUTLET 2P AND PE 16A 110V	[8]
23	7417	4	HEXAGON THIN NUT	[8]
25	302000852	1	ELECTRONIC 120V SET1	[9]
25	302000853	1	PC BOARD/SWITCH	[10]
26	107416930	1	PCBA AUTO CLEAN 1M-2S KIT1 220-240V	[11]
26	107418248	1	PCBA AUTO CLEAN 1M-2S KIT1 110-120V	[12]
27	107413449	1	ROTARY SWITCH 3 POS+REG	[12]
28	107416927	1	WIRE/CAPACITOR KIT2	

Part Notes:

- [1] - 560-21XC, 12GALL.RDFD
STOCK COVERS GUARANTEE
- [2] - *CH*
- [3] - *US*
- [4] - *DK*
- [5] - *EU*
- [6] - *GB,230V*
- [7] - *US*
For ATTIX 19 AS/E XC US
From serial number:
3510174602262
PB-COM-LI-2017-004 ATTIX 19 Gallon XC US_New Electronics
- [8] - *GB,110V*
- [9] - 100-120V
STOCK COVERS GUARANTEE
PB-COM-LI-2017-004 ATTIX 19 Gallon XC US_New Electronics
- [10] - 220-240V
- [11] - PB-COM-LI-2017-001 ATTIX 761,791_New Electronics
- [12] - PB-COM-LI-2017-001 ATTIX 761,791_New Electronics
PB-COM-LI-2017-004 ATTIX 19 Gallon XC US_New Electronics

ATTIX 560-21 XC, 560-31 XC, 12Gallon RDFD, 12Gallon AS/PE, RDFD Head Kit, 761-21 XC, 19Gallon AS/PE2, 763-21 ED

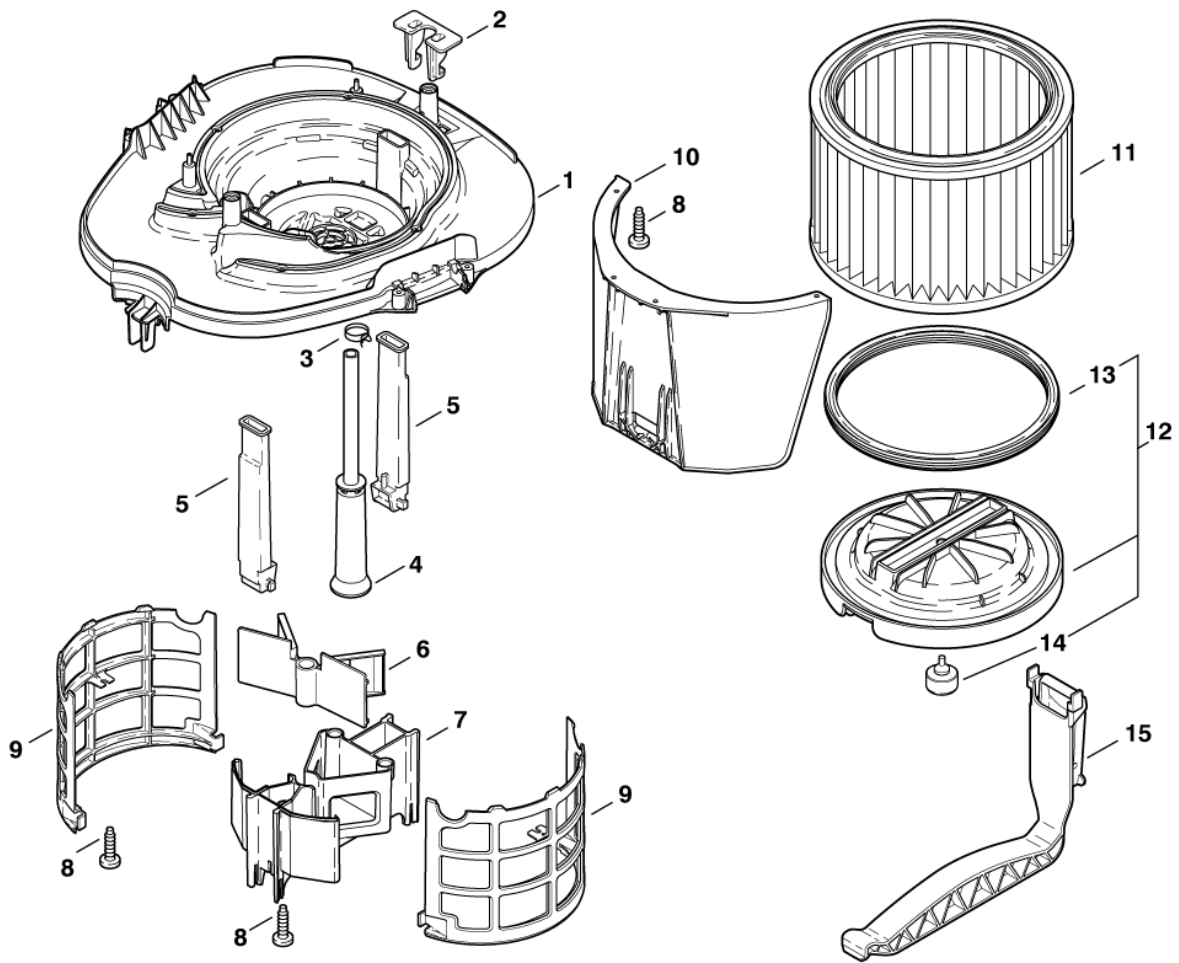


No.	Part No.	Qty.	Description	Part Note
01	302000511	1	BASE	
02	302000637	1	GASKET	
03	302000697	1	GASKET FILTER	
04	49594	1	MOTOR SQ 1200 X 24	[1]
04	62012	1	EL. MOTOR TURBO 230VOLT	[2]
04	26784	1	MOTOR 120V 1200W	[3]
05	26774	1	CARBON BRUSH SET M	[4]
05	49625	1	CARBON BRUSH C	[5]
05	26775	1	CARBON BRUSH SET FOR	[6]
06	29205	1	SEAL	[7]
06	107402627	1	MOTOR BEARING RING SET EC	[8]
06	28875	1	MOTOR BEARING RING SET	[7]
06	42538	1	MOTOR BEARING RING SET E	[8]
07	107402639	1	PLATE CHUCK ATTIX 560 PP	
08	302004031	1	DISTRIBUTION STRIP 6-POL 16A	
09	909100138	6	SCREW 5X20	
10	107402635	2	ELECTROMAGNET 24V KIT	[9]
10	107400292	2	MAGNET 12V FPR 110V MACHINE	[10]
11	107410490	1	COLLAR	
12	302000373	1	AIR DUCT	
13	302000388	1	FRAME 190X90X18 PP	
14	11256	11	SCREW 3.5 X 18	
15	5697	1	STRAP 3X8X33	
16	302000823	1	CONTACT SPRING 41.8x14 AS	[11]
16	61174	1	EARTHING CABLE	
17	62359	2	GASKET 9X4X1	

Part Notes:

- [1] - 220-240V/1200W
- [2] - 763-21 ED
- [3] - 110-120V/1200W
- [4] - FOR IDENTIF.LETTER "M"
- [5] - FOR IDENTIF.LETTER "C"
- [6] - FOR IDENTIF.LETTER "L"
- [7] - FOR IDENTIF.LETTER "L"+"M"
- [8] - FOR IDENTIF. LETTER "C"
- [9] - FOR 220-240V
- [10] - FOR 100-120V
- [11] - *GB,230V*

ATTIX 560-21 XC, 560-31 XC, 12Gallon RDFD, 12Gallon AS/PE, RDFD Head Kit, 761-21 XC, 19Gallon AS/PE2, 763-21 ED

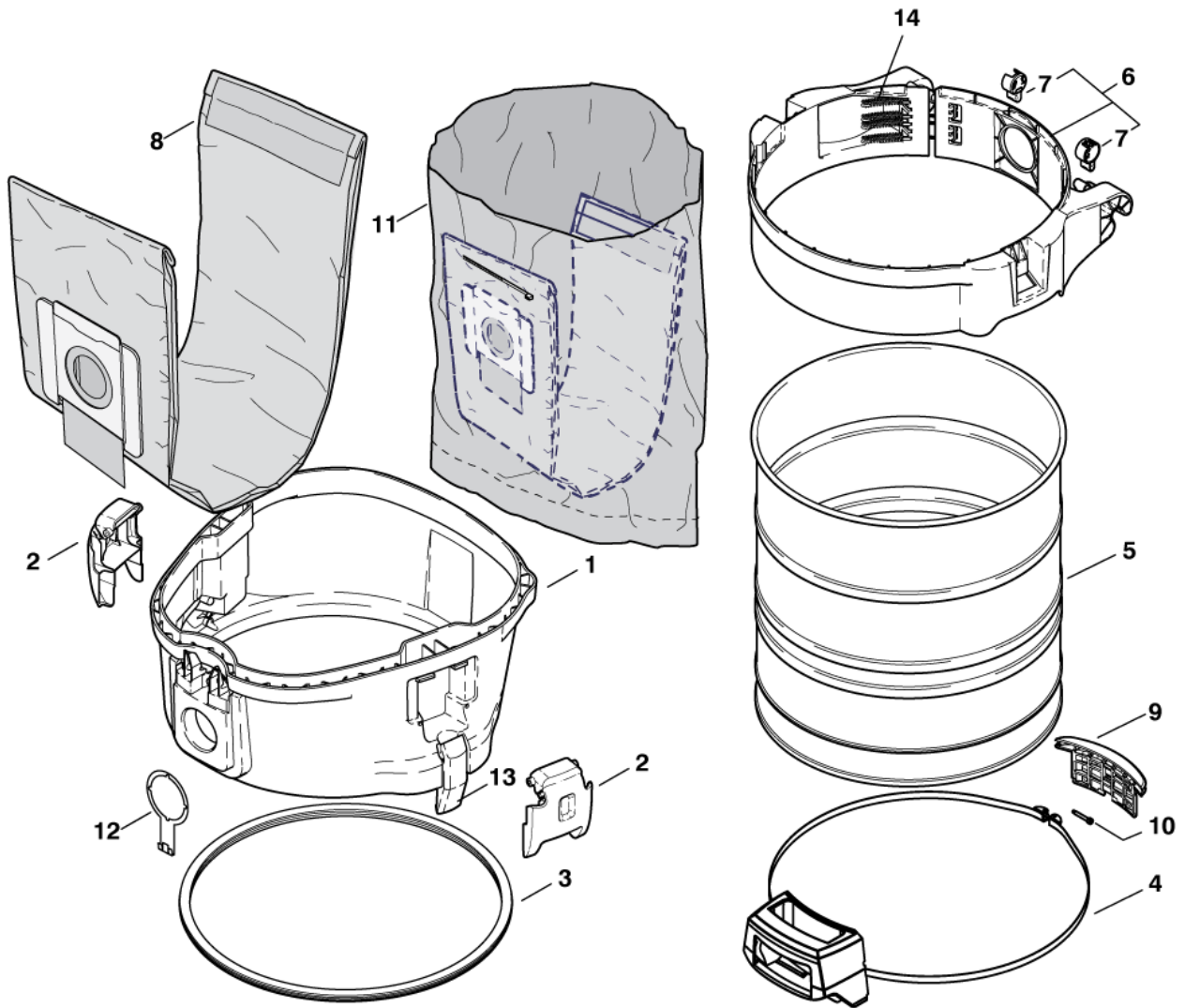


560-21,31XC;12Gall.RDFD,AS,PE;761-21XC;19Gall.AS,PE2,RDFDHeadKit;763-21ED-104-S

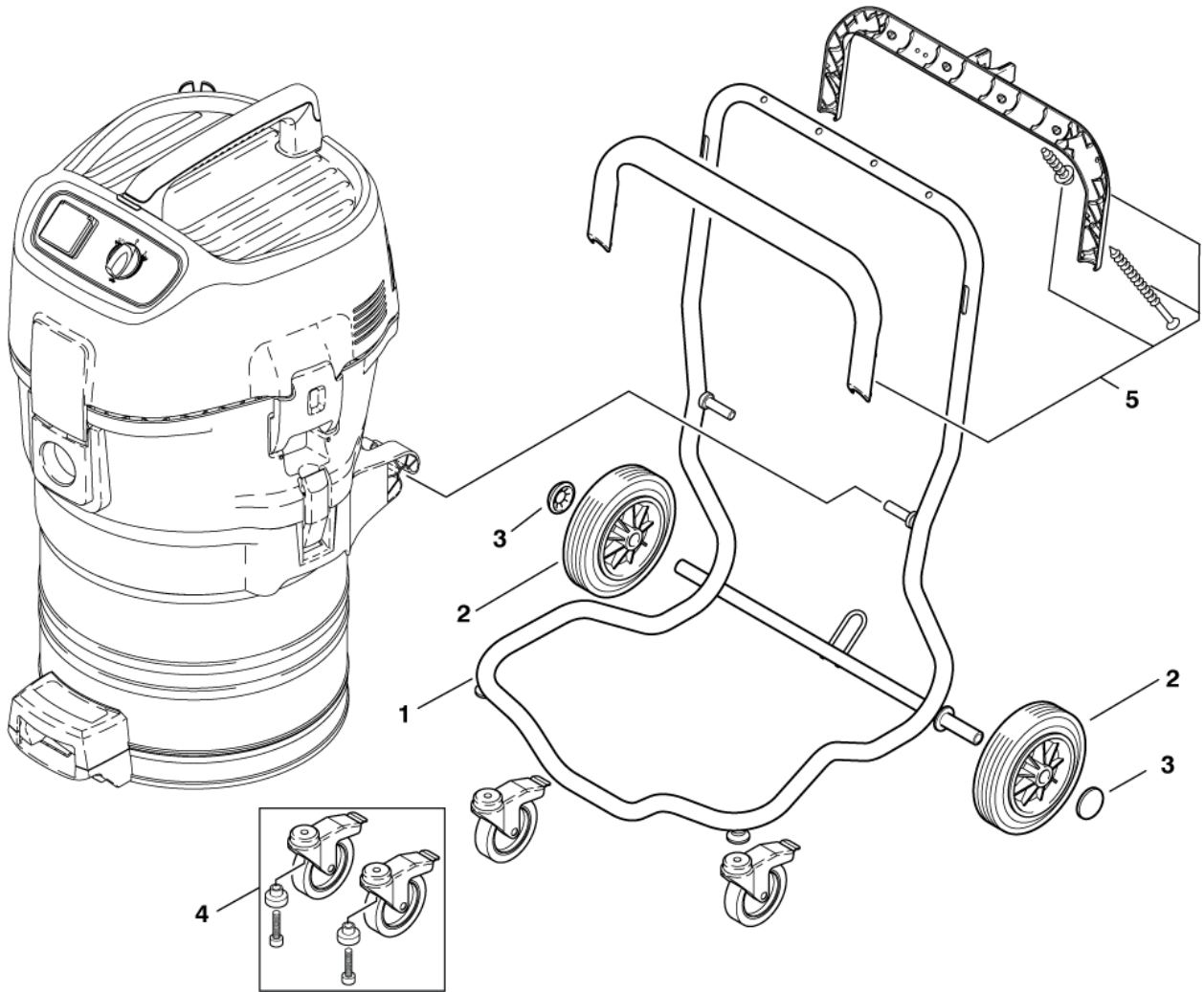
No.	Part No.	Qty.	Description	Part Note
1	107413315	1	BASE PLATE - KIT	
2	107413313	1	FIXTURE 72X32X52 - KIT	
3	909100137	1	BAND CLAMP FITTING 19	
4	302001473	1	HOSE D40x396	[1]
4	302001473	1	HOSE D40x396	[2]
5	302000514	2	GASKET	
8	909100138	9	SCREW 5X20	
9	302000385	2	FILTER SUPPORT CAGE 216X	
10	107402640	1	DEFLECTOR 318X180X212 KIT	
11	107400562	1	FILTER ELEMENT D275X187	
11	302000751	1	ATTIX FILTER ELEMENT	
12	107402653	1	FILTER SURFACE PLATE	
13	302000697	1	GASKET FILTER	
14	302000515	1	PLUG 33X37	
15	107402651	1	TENSION JACK	
K1	107412690	1	COVER WITH FLAP ATTIX 560	[3]

Part Notes:

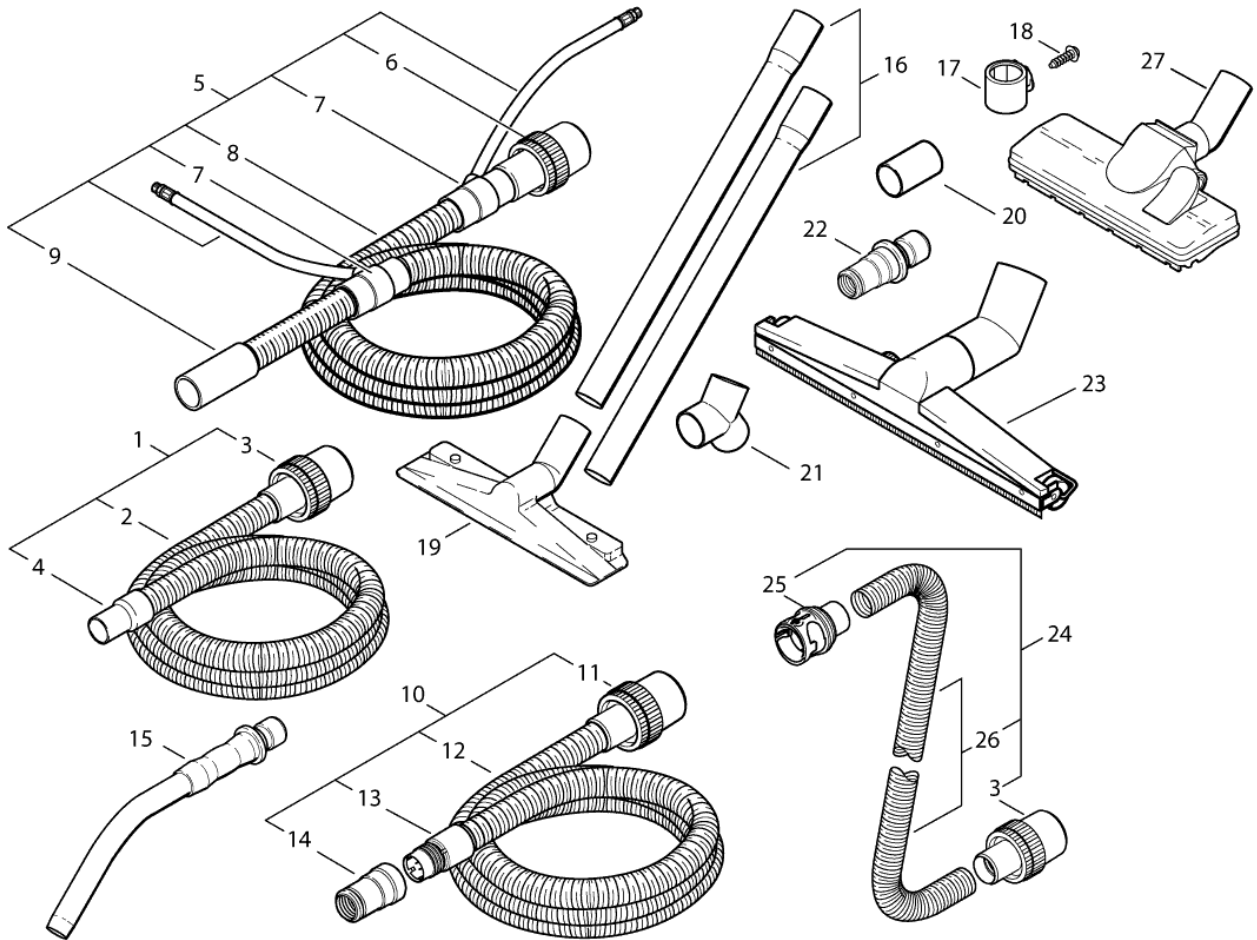
- [1] - 560-21XC, 560-31XC, 12Gall.RDFD, 12Gall.AS/PE, not 763-21 ED
 [2] - 761-21XC, 19Gall.AS/PE2, RDFD Head Kit, not 763-21 ED
 [3] - Includes pos. 6+7



No.	Part No.	Qty.	Description	Part Note
1	107400257	1	ADAPTERRING ATTIX7-KIT	
2	302000349	2	LOCKING CLAMP ATTIX	
3	302001432	1	GASKET CONTAINER	
4	302001605	1	HANDLE W/ TAPE	
5	107402657	1	CONTAINER R408X430SS	
6	302001704	1	BELT CONTAINER 480 SE	
7	302001441	2	INTERLOCK CONTAINER ATTIX	
8	302001484	1	PAPER BAGS	
8	302002892	1	FLEECE FILTERBAG PU 5 PCS	
9	302001363	1	CONTAINER STOPPER	
10	302001613	1	SCREW M5X35X5 TO ATTIX7	
11	302001480	1	DISPOSAL BAG SET5 "	
12	107400145	1	GROUND CONNECTOR	
13	19880	1	SPRING CATCH	
14	909100383	1	SPRING 1.40X7.5X113	



No.	Part No.	Qty.	Description	Part Note
01	302001437	1	FRAME BLACK ATTIX 7	
02	107401077	2	WHEEL 200X50 KIT	
03	3750	2	WHEEL CAPS TO SUIT TURBO	
04	107401054	1	CASTOR TURNABLE WITH BRAK	
05	302001706	1	HANDLE SET-1 ATTIX 7	



No.	Part No.	Qty.	Description	Part Note
00	302000477	1	COMBINATION FLOOR TOOL	
1	15805	1	HOSE UNIVERSAL D36 X 3000	
2	11985	1	SUCTION HOSE PER METRE 36	
3	15102	1	VACUUM SIDE SLEEVE 36MM	
4	11597	1	HOSE SLEEVE 36	
5	26601	1	COAXIAL VACUUM HOSE WITH	[1]
6	30928	1	HOSE SLEEVE AS#32/50	
7	26309	1	HOSE SLEEVE DN32	[2]
8	43502	1	32MM ANTISTATIC	
9	60033	1	HOSE SLEVE 5304-1 DN32	[3]
10	107406091	1	HOSE D27X3500 AS WITH	
11	15369	1	HOSE CUFF FOR SQ	
12	15326	1	HOSE AS 27 P/METER	
13	63509	1	HOSE SLEEVE Ø27	
14	107404520	1	TOOL ADAPTER D27/36-24 AS	
15	302000528	1	CURVED HAND TUBE İ36MM C	
15	46691	1	CURVED HAND PIECE	
16	302000529	1	SUCTION PIPE SALTIX 36MM	
16	107408074	1	EXTEN TUBE Ø36 2X505MM SS	
17	28546	1	STRAP FOR NOZZLE	
18	12400	1	SCREW 3.5X13	[2]
19	5147	1	FLOOR TOOL	
20	15953	1	ADAPTOR	
21	15331	1	Y PIECE	
22	302000535	1	TOOL SLEEVE QUICKSYSTEM İ	
23	15348	1	GROUND NOZZLE	
24	302001682	1	HOSED 36 X 5000 MM	
25	107417867	1	HOSE SLEEVE Ø36 AS QUICKSYSTEM	
26	15312	1	SUCTION HOSE 1 MTR	
27	302000477	1	COMBINATION FLOOR TOOL	

Part Notes:

- [1] - PRUNED - NO REPLACEMENT
 [2] - GUARANTEE DATE EXPIRED
 [3] - NO LONGER AVAILABLE

RECOMMENDED SPARE PARTS

ATTIX 761-21 XC

2017.11.02

2023.03.10

No.	Part No.	Qty.	Description	Part Note
01	107413315	1	BASE PLATE - KIT	
01	11832	1	SOCKET	
01	302001441	1	INTERLOCK CONTAINER ATTIX	
01	107400271	1	CORD H07BQ-F 3G2.5 GB	[1]
01	302004034	1	SOCKET 16A/250V EU	[2]
01	47302	1	CLAMP RING	
01	14808	1	COUPLING FEMALE G1/4	[3]
01	3750	1	WHEEL CAPS TO SUIT TURBO	
01	107400270	1	CORD H05RR-F 3G1.5 BS1	[4]
01	60561	1	MOTOR-TURBINE 1200W 22/2	[5]
01	107404779	1	HOSE 27X3500 CONDUCTIVE	[6]
01	64937	1	SCREENING FILTER	[7]
01	302001711	1	ELECTRONIC 100-120V SET1	[8]
01	302001482	1	PIPE COUPLING C 1.1/4/	
01	26784	1	MOTOR 120V 1200W	[9]
01	302000428	1	FLOW SENSOR ATTIX 3,5,7	
01	107412690	1	COVER WITH FLAP ATTIX 560	
01	302000751	1	ATTIX FILTER ELEMENT	
01	6114	1	RUBBER STRIP SET FOR 5149	
01	19880	1	SPRING CATCH	
01	29205	1	SEAL	[10]
01	107402642	1	POWER CORD H05RR-F	[11]
01	107402254	1	GASKET KIT D42X58X6	
01	107402635	1	ELECTROMAGNET 24V KIT	[12]
01	302000853	1	PC BOARD/SWITCH	[13]
01	302000693	1	SUCTION HOSE 32X3000	[14]
01	107402642	1	POWER CORD H05RR-F	[15]
01	107406091	1	HOSE D27X3500 AS WITH	[16]
01	107420520	1	POWER CORD H05RR-F 3G1,0MM IP55 CH	[17]
01	107402655	1	TEMPERATURE SENSOR KIT	[18]
01	61174	1	EARTHING CABLE	
01	909100204	1	ROTARY KNOB 06X5	[19]
01	302000297	1	PUMP SUBM.	[20]
01	302000307	1	PUMP SUBM. 115/60 650WC	[21]
01	302000435	1	POWER CORD SJTW-A AWG18/3X8.2M NEMA -US	[22]
01	107400145	1	GROUND CONNECTOR	
01	15352	1	RUBBER LIP SET	[18]
01	42538	1	MOTOR BEARING RING SET E	[23]
01	302001678	1	AIR MANIFOLD ASSY. SET	[24]
01	302000825	1	ELECTRONIC SOFT START 100-	[25]
01	302000833	1	CONTROL BOARD EC DRIVE	[26]
01	302001704	1	BELT CONTAINER 480 SE	
01	7729	1	GEKA THREADED FITTING	
01	15805	1	HOSE UNIVERSAL D36 X 3000	
01	6429	1	OIL RESISTANT HOSE 36MM	[18]
01	107402651	1	TENSION JACK	
01	302000373	1	AIR DUCT	
01	107402641	1	POWER CORD H05RR-F	[27]
01	302000529	1	SUCTION PIPE SALTIX 36MM	
01	302000460	1	GASKET	[18]
01	107400574	1	CORD H05BQ-F 3G1.0 CEE GB 110	[28]
01	302004338	1	SOCKET 15A/125V US/CSA	[29]
01	302000514	1	GASKET	
01	302001553	1	SEAL CLAMP	
01	302001552	1	SEAL CLAMP	
01	15348	1	GROUND NOZZLE	
01	107401054	1	CASTOR TURNABLE WITH BRAK	
01	302001425	1	ELECTRONIC EA.W.SPEED EC	[30]

RECOMMENDED SPARE PARTS

ATTIX 761-21 XC

2017.11.02

2023.03.10

No.	Part No.	Qty.	Description	Part Note
01	302001605	1	HANDLE W/ TAPE	
01	302000823	1	CONTACT SPRING 41.8x14 AS	[31]
01	302000385	1	FILTER SUPPORT CAGE 216X	
01	26783	1	MOTOR 100V 1200W	[32]
01	47364	1	PACKING RING 108X86X18	
01	107400579	1	PIEZO BUZZER	
01	26774	1	CARBON BRUSH SET M	[33]
01	107413310	1	FILTER SUPPORT CAGE - KIT	
01	302000430	1	POWER CORD H05RR-F 3G0.75X8.0	[34]
01	302001363	1	CONTAINER STOPPER	
01	302000637	1	GASKET	[18]
01	14809	1	COUPLING MALE G1/4	[3]
01	15475	1	FILTER SIEVE 450-650	
01	302004333	1	POWER CORD AU	[35]
01	302000349	1	LOCKING CLAMP ATTIX	
01	302000685	1	POWER CORD H05RR-F3G0.75X8.4 S	[36]
01	107402646	1	FILTER SUPPORT CAGE	
01	107402842	1	OUTLET 2P AND PE 16A 110V	[37]
01	107402627	1	MOTOR BEARING RING SET EC	[38]
01	107400059	1	SOCKET 16A/250V CH	[39]
01	60877	1	BRACKET	
01	302004336	1	SOCKET 13A/250V GB	[40]
01	48333	1	FINE-WIRE FUSE 6,3X32 10	[26]
01	302000826	1	SOFT START (ATTIX)	[41]
01	49625	1	CARBON BRUSH C	[38]
01	107400292	1	MAGNET 12V FPR 110V MACHINE	[42]
01	26785	1	MOTOR 120V 1000W	[43]
01	302001682	1	HOSED 36 X 5000 MM	
01	302000490	1	FILTER ELEMENT "L"185X1	
01	302000852	1	ELECTRONIC 120V SET1	[44]
01	107410490	1	COLLAR	
01	302001434	1	FILTER SIEVE BASKET	
01	107402618	1	PIPE COUPLING KIT	
01	26601	1	COAXIAL VACUUM HOSE WITH	[45]
01	107401077	1	WHEEL 200X50 KIT	
01	62359	1	GASKET 9X4X1	
01	11985	1	SUCTION HOSE PER METRE 36	
01	302000528	1	CURVED HAND TUBE İ36MM C	
01	28875	1	MOTOR BEARING RING SET	[46]
01	49594	1	MOTOR SQ 1200 X 24	[47]
01	107408926	1	ELECTRONIC-UNIT EA M.	[48]
01	302000434	1	POWER CORD H05RR-F 3G0.7	[49]
01	107408074	1	EXTEN TUBE Ø36 2X505MM SS	
01	302001708	1	POWER CORD SJTW-A AWG	[50]
01	302000372	1	BASE	[18]
01	302000627	1	ELECTRONIC 110-120V SET1	[51]
01	302001432	1	GASKET CONTAINER	
01	107402619	1	SCREENING FILTER KIT	[26]
01	47035	1	COLLAR 55 SHORE A EPDM	[52]
01	11753	1	FILTER CARTRIDGE	[53]
01	107420520	1	POWER CORD H05RR-F 3G1,0MM IP55 CH	[54]
01	302001580	1	POWER CORD H07RN-F 3G1.5X10.7 EU	[55]
01	302001546	1	GASKET	[56]
01	107413313	1	FIXTURE 72X32X52 - KIT	
01	107411687	1	SILIKON HOSE D3X1,5	
01	107400257	1	ADAPTERRING ATTIX7-KIT	
01	302001185	1	10A SOCK(FIT to MACHINE!)	[35]
01	26775	1	CARBON BRUSH SET FOR	[57]

RECOMMENDED SPARE PARTS

ATTIX 761-21 XC

2017.11.02

2023.03.10

No.	Part No.	Qty.	Description	Part Note
01	65058	1	FINE-WIRE FUSE	[58]
01	107402638	1	PLATE CHUCK ATTIX 550 PP KIT	[59]
01	302001712	1	ELECTRONIC 220-240V SET1	[60]
01	302004332	1	POWER CORD SJTW-A AWG14/3X8.4 US	[61]
01	302001430	1	ELECTRONIC EC 110V SET-1	[58]
01	302001641	1	ADAPTER ATTIX	[62]
01	302000756	1	SWITCH/COVER	[63]
01	107402639	1	PLATE CHUCK ATTIX 560 PP	
01	302000683	1	SOCKET 10A/250V DK	[64]
01	302000477	1	COMBINATION FLOOR TOOL	
01	5149	1	SPECIAL GROUND NOZZLE	
01	107402653	1	FILTER SURFACE PLATE	
01	302000697	1	GASKET FILTER	
01	302000465	1	WHEEL ATTIX	

Part Notes:

- [1] - GB,110V 751-11/21, 761-21
- [2] - EU -590-21, 751-11/21, 761-71, 791-21
- [3] - 560-31XC
- [4] - GB,230V 751-01/11/21, 761-21
- [5] - 590-21, 791-21,, 791-2M/B1EUGB,230V
- [6] - 791-2M/B1
- [7] - EC 12GALLON AS/E, 791-2M/B1GB,110V
STOCK COVERS GUARANTEE
- [8] - 100-120V 751-61-71
STOCK COVERS GUARANTEE
- [9] - 110-120V/1200W 751-71
- [10] - FOR IDENTIF. LETTER L+M
- [11] - DK 751-01
- [12] - FOR 220-240V
- [13] - 220-240V 761-21
- [14] - EC 12 GALLON AS/E
- [15] - DK 751-61
- [16] - 590-21, 791-21
- [17] - CH 751-01
- [18] - 751-71
- [19] - 751-61-71
- [20] - 230V/50HZ
- [21] - 115V/60HZ
- [22] - US 751-01
- [23] - FOR IDENITF. LETTER C
- [24] - 19GALLON AS/PE2
- [25] - 100-120V, 751-11GB,110/50, 19GALL.
STOCK COVERS GUARANTEE
- [26] - 590-21, 791-21, 791-2M/B1EUGB,230V
- [27] - EU 751-61, 791-21
- [28] - GB 751-01
- [29] - US 751-11/21 761-21
- [30] - 590-21, 791-21
STOCK COVERS GUARANTEE
- [31] - GB,230V
- [32] - 100V/1200W 751-71
NO LONGER AVAILABLE
- [33] - FOR IDENTIF. LETTER M
- [34] - EU 751-01
- [35] - AU
- [36] - ZA 751-01
- [37] - GB,110V 751-11/21
- [38] - FOR IDENTIF. LETTER C
- [39] - CH 751-11/21 761-21

RECOMMENDED SPARE PARTS

ATTIX 761-21 XC

2017.11.02

2023.03.10

- [40] - GB,230V 751-11/21, 761-21
- [41] - 220-240V, 751-11 -21 19 GALL.
- [42] - FOR 100-120V
- [43] - 120V/1000W 751-71
- [44] - 100-120V 761-21
STOCK COVERS GUARANTEE
- [45] - PRUNED - NO REPLACEMENT
- [46] - FOR IDENTIF.LETTERL+M
- [47] - 220-240V/1200W 751-71
- [48] - 220-240V, 550-21, 751-21, 751-11
- [49] - AU 751-01
- [50] - 751-71 19GALLON AE
- [51] - 100-120V, 12GALL.RDF 751-11 -21
STOCK COVERS GUARANTEE
- [52] - 19GALL.AE
- [53] - ZA
- [54] - CH 751-61
- [55] - 751-71
STOCK COVERS GUARANTEE
- [56] - 791-21, 791-2M/B1
- [57] - FOR IDENTIF. LETTER L
- [58] - EC 12GALLON AS/E, 791-2M/B1GB,110V
- [59] - 590-21, EC 12GALLON AS/E, 791-21
- [60] - 220-240V 751-61-71
- [61] - US 751-11/21
- [62] - 751-01, 751-11, 751-21, 19GALL., 791-21, 791-2M/B1
- [63] - 550-1, 12 GALLON, 751-01
- [64] - DK 751-11/21, 761-21

