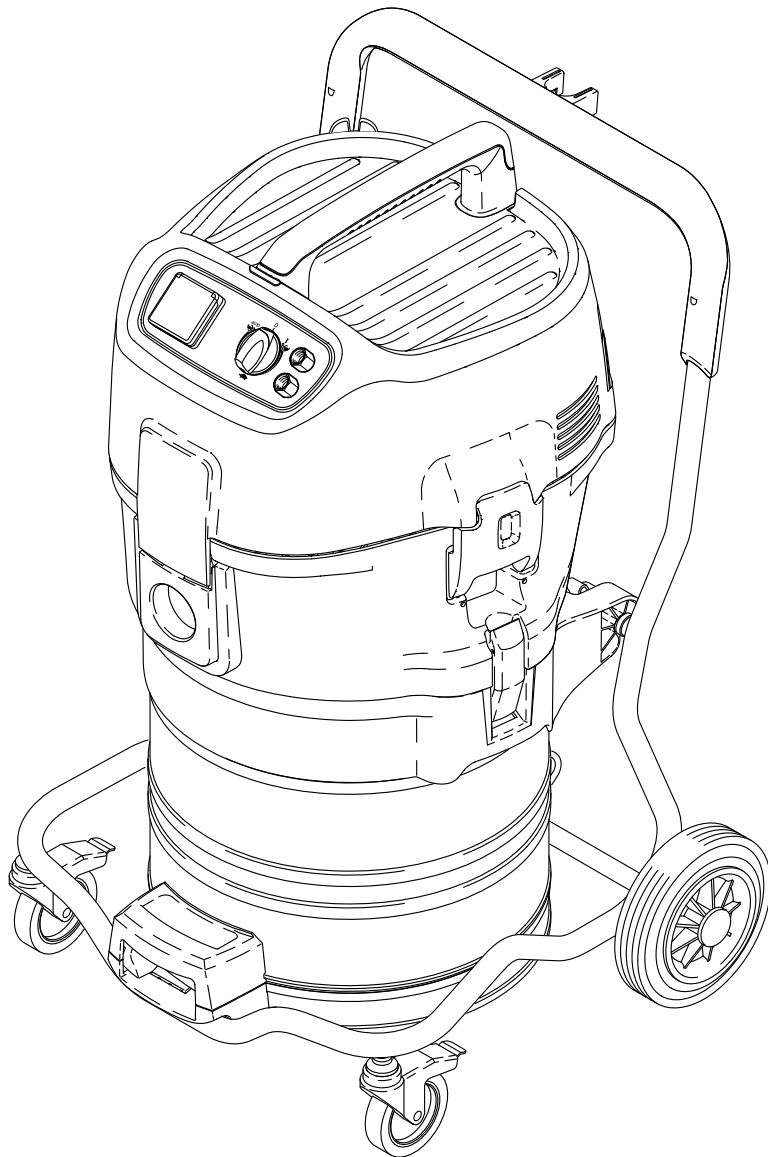
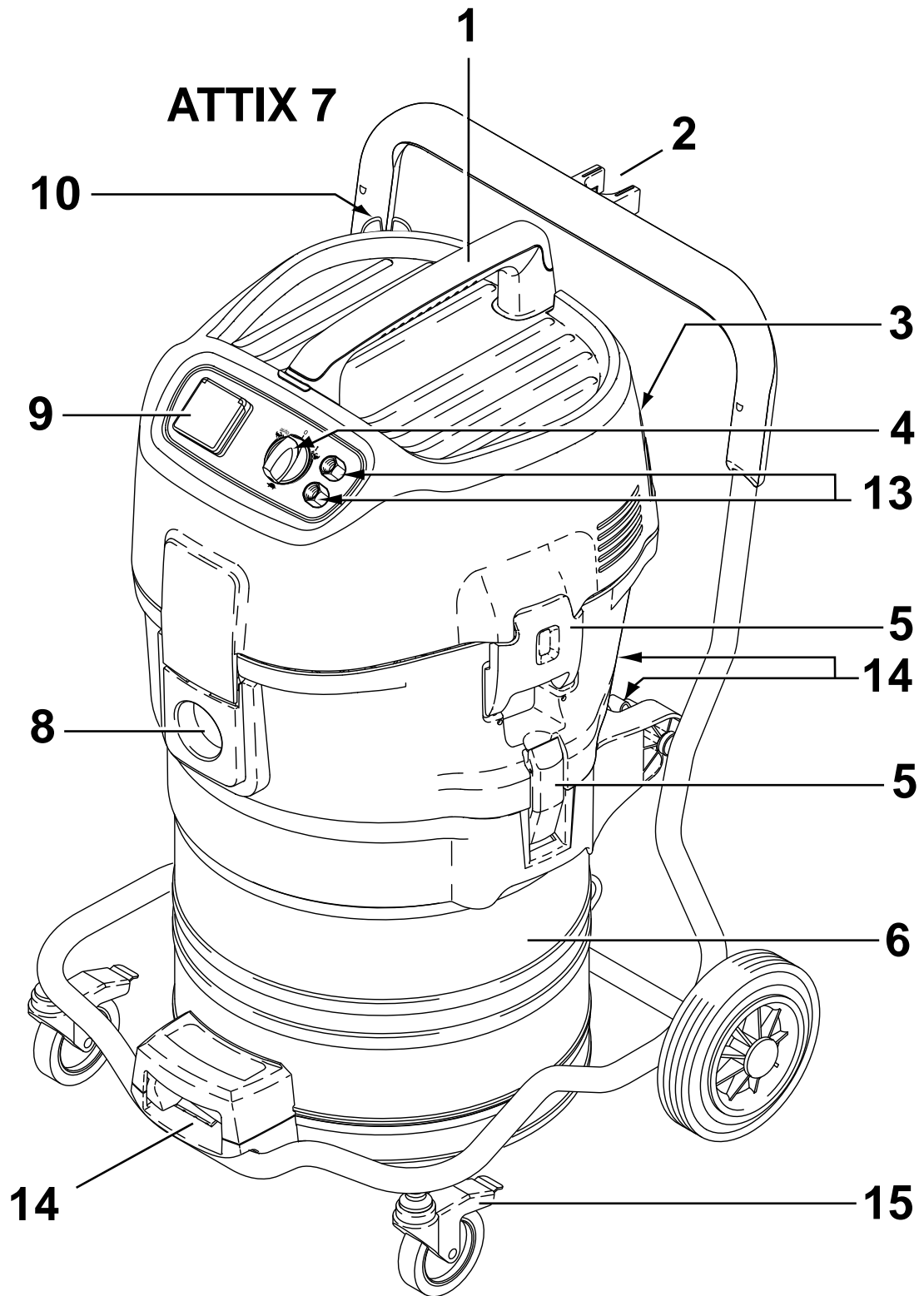


ATTIX 7

ATTIX 19 GALLON

Instructions for use






EN	Operating instructions	4
DE	Bedienungsanweisungen	19
FR	Instructions de fonctionnement	34
NL	Gebruiksaanwijzingen	50
IT	Istruzioni per l'uso	64
NO	Bruksanvisning	79
SV	Bruksanvisning	93
DA	Betjeningsvejledning	107
FI	Käyttöohje	121
ES	Instrucciones de funcionamiento	135
PT	Instruções de Funcionamento	150
EL	Οδηγίες λειτουργίας	165
TR	Kullanma Talimatları	181
SL	Navodila za delovanje	196
HR	Upute za uporabu	210
SK	Návod na obsluhu	224
CS	Návod k obsluze	238
PL	Instrukcje dotyczące obsługi	252
HU	Használati útmutató	268
RU	Руководство по эксплуатации	282

1 IMPORTANT SAFETY INSTRUCTIONS

1.1 Symbols used to mark instructions


DANGER


 Danger that leads directly to serious or irreversible injuries, or even death.

WARNING

 Danger that can lead to serious injuries or even death.

CAUTION

 Danger that can lead to minor injuries and damage.

 Before starting up your machine for the first time, this instruction manual must be read through carefully. Save the instructions for later use.

1.2 Instructions for use

Besides the operating instructions and the binding accident prevention regulations valid in the country of use, observe recognised regulations for safety and proper use.

1.3 Purpose and intended use

This machine is designed for industrial use, such as e.g. plants, construction sites and workshops. This machine is also intended for commercial use, for example in hotels, schools, hospitals, factories, shops, offices and rental businesses. Accidents due to misuse can only be prevented by those using the machine. The appliance is suitable for picking up dry, non-flammable dust and liquids

Any other use is considered as improper use. The manufacturer accepts no liability for any damage resulting from such use. The risk for such use is borne solely by the user. Proper use also includes proper operation, servicing and repairs as specified by the manufacturer.

READ AND FOLLOW ALL SAFETY INSTRUCTIONS.



For Dust Class L machines (with type designation -0L, 2L, LC) following applies: The appliance is suitable for picking up dry, non-flammable dust, hazardous dusts with OEL¹⁾ value > 1mg/m³. Dust Class L (IEC 60335-2-69). The dusts which belong to this class have OEL¹⁾ values > 1mg/m³. For machines intended for the Dust Class L, the filter material is tested. The maximum degree of permeability is 1% and there is no special requirement for disposal. Observe national regulations before use. For dust extractors, ensure adequate air change rate L, when the exhaust air is returned to the room.

1.4 Important warnings

WARNING

- To reduce the risk of fire, electric shock, or injury, please read and follow all safety instructions and caution markings before use. This vacuum cleaner is designed to be safe when used for cleaning functions as specified. Should damage occur to electrical or mechanical parts, the cleaner and / or accessory should be repaired by a competent service station or the manufacturer before use in order to avoid further damage to the machine or physical injury to the user.

- Children shall be supervised to make sure that they do not play with the appliance.
- Cleaning and user maintenance shall not be made by children without supervision.
- This appliance is not intended for use by persons (including children) with reduced physical, sensory or mental capabilities, or lack of experience and knowledge.
- Outdoor use of the appliance shall be limited to occasional use.
- This machine shall only be stored indoors.
- Do not leave the machine when it is plugged in. Unplug from the socket when not in use and before maintenance.
- Do not use with damaged cord or plug. To unplug grasp the plug, not the cord. Do not handle plug or cleaner with wet hands. Turn off all controls before unplugging.
- Do not pull or carry by cord, use cord as a handle, close a door on cord, or pull cord around sharp edges or corners. Do not run cleaner over cord. Keep cord away from heated surfaces.
- Keep hair, loose clothing, fingers and all parts of the body away from openings and moving parts. Do not put any objects into openings or use with opening blocked. Keep openings free of dust, lint, hair, and anything else that could reduce the flow of air.
- Do not use in outside areas at low temperature.
- Do not use to pick up flammable or combustible liquids such as gasoline, or use in areas where they may be present.
- Do not pick up anything that is burning or smoking, such as cigarettes, matches or hot ashes.
- Use extra care when cleaning on stairs.
- Do not use unless filters are fitted.
- If the cleaner is not working properly or has been dropped, damaged, left outdoors, or dropped into water, return it to a service center or dealer.
- Operators shall be adequately instructed on the use of these machines.
- The machine may not be used as a water pump. The machine is intended for vacuuming air and water mixture.
- Connect the machine to a properly earthed mains supply. The socket outlet and the extension cable must have an operative protective conductor.
- Provide for good ventilation at the working place.
- Do not use the machine as a ladder or step ladder. The machine

can tip over and become damaged. Danger of injury.

- Only use the socket outlet on the machine for purposes specified in the Instructions.
- If foam or liquid escapes from the machine, switch off immediately.

1.5 Double-insulated appliances*)

CAUTION

- Use only as described in this manual and only with the manufacturer's recommended attachments.
- BEFORE YOU PLUG IN YOUR CLEANER, check the rating plate at the cleaner to see if the rated voltage agrees within 10% of the voltage available.
- This appliance is provided with double insulation. Use only identical replacement parts. See instructions for servicing double insulated appliances.
- Clean the water level limiting device regularly and examine it for signs of damage.

In a double-insulated appliance, two systems of insulation are provided instead of grounding. No grounding means is provided on a double-insulated appliance, nor should a mean for grounding be added to the appliance. Servicing a double-insulated appliance requires extreme care and knowledge of the system, and should be done only by qualified service personnel. Replacement parts for a double-insulated appliance must be identical to the parts they replace. A double insulated appliance is marked with the words "DOUBLE INSULATION" or "DOUBLE INSULATED." The symbol (square within a square) may also be used on the product.

The machine is equipped with a specially designed cord which if damaged, must be replaced by a cord of the same type. This is available at authorised service centres and dealers and must be installed by trained personnel.

Only applicable to UK.

Please read these essential instructions

These instructions have been prepared with safety and efficiency paramount.

The machine operator must be trained by a suitably qualified instructor and must understand these instructions for use, and be made aware of any relevant regulations and legislation in force at the time of use.

CAUTION

DOUBLE-INSULATED MACHINES - IMPORTANT:

This 240 volt 50 Hz. machine is fitted with a 13 amp. 3 pin moulded plug. The plug is fitted with a 13 amp. detachable fuse. The correct replacement for the fuse is identified by marking or colour coding. Only fuses that are ASTA approved to BS 1362 should be fitted. Never use the plug without the fuse cover fitted. Replacement fuse covers are available at any electrical retail outlet.

If the available socket outlet is not suitable for the plug supplied, the plug must be cut off and an appropriate plug fitted. The plug thus cut off MUST BE DESTROYED for safety reasons before being disposed of.

Machines built for other voltages and frequencies are not normally supplied with a fitted plug. If it is necessary to fit a plug, the wires in this power supply cord are coloured in accordance with the following code:

Blue-neutral brown-live

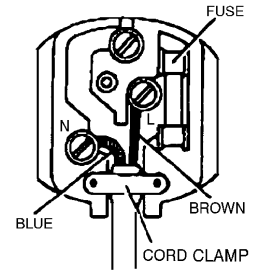
TO CONNECT THE NEW PLUG:

If using a three-pin plug, do not make any connection to the terminal in the plug which is marked with the letter 'E' or by the safety earth symbol or coloured green or green & yellow.

The blue wire must be connected to the terminal in the plug which is marked with the letter 'N' or is coloured black or blue.

The brown wire which must be connected to the terminal in the plug which is marked with the letter 'L' or is coloured red or brown.

If the plug to be fitted does not conform to the above notation then consult a qualified electrician.



1.6 Electrical connection ⚠️

WARNING

- The upper section of the machine contains live components. Contact with live components leads to serious or even fatal injuries. Never spray water on to the upper section of the machine.
- The vacuum cleaner must not be used if the electrical cable or plug show any sign of damage. Regularly inspect the cable and the plug for damage. If this becomes damaged, it should be repaired only by Nilfisk or an authorised Nilfisk Service Dealer, in order to avoid a hazard.
- Do not handle the electrical cable or plug with wet hands.
- Do not unplug by pulling on cable. To unplug, grasp the plug, not the cable. The plug must always be removed from the socket outlet before starting any service or repair work of the machine or the cable.
- In no circumstances should the power supply cord be wrapped around fingers or any part of the operators person.
- It is recommended that the machine should be connected via a residual current circuit breaker.
- Arrange the electrical parts (sockets, plugs and couplings) and lay down the extension lead so that the protection class is maintained.
- Connectors and couplings of power supply cords and extension leads must be watertight.

Extension lead

- As an extension lead, only use the version specified by the manufacturer or one of a higher quality.
- When using an extension lead, check the minimum cross-sections of the cable:

Cable length	Cross section	
	< 16 A	< 25 A
up to 20 m	1.5 mm ²	2.5 mm ²
20 to 50 m	2.5 mm ²	4.0 mm ²

1.7 Hazardous materials

WARNING

Vacuuuming up hazardous materials can lead to serious or even fatal injuries.

The following materials must not be picked up by the machine:

- hot materials (burning cigarettes, hot ash, etc.)
- flammable, explosive, aggressive liquids (e.g. petrol, solvents, acids, alkalis, etc.)
- flammable, explosive dust (e.g. magnesium or aluminium dust, etc.)

For standard machines (without type designation -0L, 2L, LC) following further applies: The following materials must not be picked up by the machine:

- Hazardous dust.

1.8 Maintenance

Remove the plug from the socket before performing maintenance. Before using the machine make sure that the frequency and voltage shown on the rating plate correspond with the mains voltage.

The machine is designed for continuous heavy work. Depending on the number of running hours – the dust filter should be renewed. Keep the machine clean with a dry cloth, and a small amount of spray polish.

During maintenance and cleaning, handle the machine in such a manner that there is no danger for maintenance staff or other persons.

In the maintenance area

- Use filtered compulsory ventilation
- Wear protective clothing
- Clean the maintenance area so that no harmful substances get into the surroundings.

For Dust Class L machines (with type designation -0L, 2L, LC) following applies:

During maintenance and cleaning, handle the machine in such a manner that there is no danger for maintenance staff or other persons.

In the maintenance area

- Use filtered compulsory ventilation
- Wear protective clothing
- Clean the maintenance area so that no harmful substances get into the surroundings.

During maintenance and repair work all contaminated parts that could not be cleaned satisfactorily must be:

- Packed in well sealed bags
- Disposed of in a manner that complies with valid regulations for such waste removal.

1.9 Regular servicing and inspection

Regular servicing and inspection of your machine must be carried out by suitably qualified personnel in accordance with relevant legislation and regulations. In particular, electrical tests for earth continuity, insulation resistance, and condition of the flexible cord should be checked frequently.

In the event of any defect, the machine **MUST** be withdrawn from service, completely checked and repaired by an authorized service technician.

At least once a year, a Nilfisk technician or an instructed person must perform a technical inspection including filters, air tightness and control mechanisms.

For details of after sales service contact your dealer or Nilfisk service representative responsible for your country. See reverse of this document.

2.0 Warranty

Our general conditions of business are applicable with regard to the guarantee.

Unauthorised modifications to the appliance, the use of incorrect brushes in addition to using the appliance in a way other than for the intended purpose exempt the manufacturer from any liability for the resulting damage.



Equipment marked with the crossed-out wheeled bin symbol indicates that used electrical and electronic equipment should not be discarded together with unseparated household waste. To avoid negative effects on human health and the environment the equipment must be collected separately at the designated collection points.

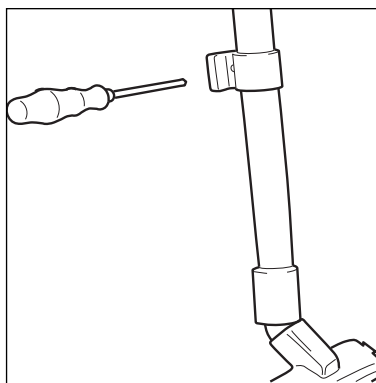
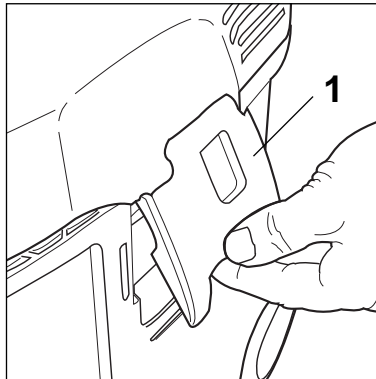
Users of electrical and electronic household equipment must use the municipal collection schemes. Please note that commercially used electrical and electronic equipment, shall not be disposed of via municipal collection schemes. We will be pleased to inform you about suitable disposal options.

2 Description

- 2.1 Purpose** When used properly, the industrial vacuum cleaners described in these instructions are suitable for sucking up dry, non-flammable, non-hazardous dusts and liquids.
- 2.2 Operating elements** See fold-out page at front of these operating instructions.
- | | |
|---|---|
| 1 Handle | 8 Inlet fitting |
| 2 Suction pipe support | 9 Appliance socket ¹⁾ |
| 3 Accessory holder | 10 Cable hook |
| 4 Appliance switch with suction power control ¹⁾ | 11 Operating knob for filter cleaning ¹⁾ |
| 5 Retaining clamp | 12 Connection for compressed air supply ¹⁾ |
| 6 Dirt tank | 13 Connection for pneumatic tool ¹⁾ |
| 7 Grip to empty tank ¹⁾ | 14 Tank locks ¹⁾ |
| | 15 Castor with brake |

3 Before starting

3.1 Assembling the vacuum cleaner



On delivery some of the accessories are lying in the tank and must be removed before the vacuum cleaner is used for the first time. Remove the upper section of the vacuum cleaner: The mains plug should not yet be inserted into a socket.

1. The mains plug should not yet be inserted into a socket.
2. Open the retaining clamps (1) and remove upper section of the cleaner.
3. Take the accessories¹⁾ out of the dirt tank and the packaging.
4. Place a filter bag into the tank as described in the instructions (printed on the filter bag).

IMPORTANT!

Press the filter bag connection firmly on to the inlet fitting.

5. Fit the upper section of the cleaner (do not damage the filter bag) and close the retaining clamps.

NOTE!

Ensure that the retaining clamps fit properly.

6. Fit the suction tube fastener¹⁾ about 20 cm from the edge of the lower extension tube as shown in the figure.

4 Operation

4.1 Connections

4.1.1 Connecting the suction hose

1. Connect the suction hose.

4.1.2 Electrical connection

The operating voltage shown on the rating plate must correspond to the voltage of the mains power supply.

1. Ensure that the cleaner is switched off.
2. Insert the power cord into a properly installed and fused socket with earthing contact.

4.1.3 Connecting electrical appliances¹⁾



Before switching the switch to position „auto“, ensure that the tool connected to the appliance socket is switched off.

To comply with regulations, only approved dust producing tools should be connected.

The maximum power consumption of the connected electrical appliance is stated in section 9.4 "Technical data".

1. Connect the electrical appliance to the appliance socket¹⁾ on the control panel.

4.1.4 Connecting pneumatic tools¹⁾



Before switching the switch to position „auto“, ensure that the tool connected to the appliance socket

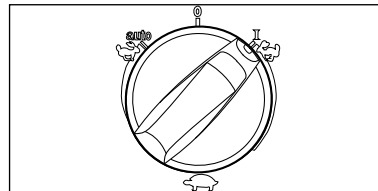
is switched off.

Operating pressure of the pneumatic tool is stated in section 9.4 "Technical data".

1. Connect the pneumatic tool to the upper quick coupling¹⁾ on the control panel.
2. Connect the compressed air supply to the lower push-in nipple¹⁾.

4.2 Switching on the vacuum cleaner

4.2.1 Switch position "I"

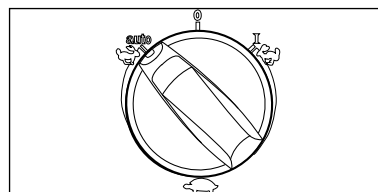


1. Turn the switch to position "I".
The vacuum cleaner motor starts.

4.2.2 Switch position "auto"¹⁾



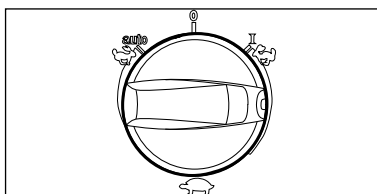
Before switching the switch to position „auto“, ensure that the tool connected to the appliance socket is switched off.



1. Turn the switch to position "auto"¹⁾.
The vacuum cleaner motor starts when the connected power tool/pneumatic tool is switched on.
2. When the power tool is switched off, the vacuum cleaner continues to run for a short moment so that any dust in the suction hose is conveyed to the filter bag.

¹⁾ Option depending on model
Original Instruction Manual

4.2.3 Setting suction power¹⁾



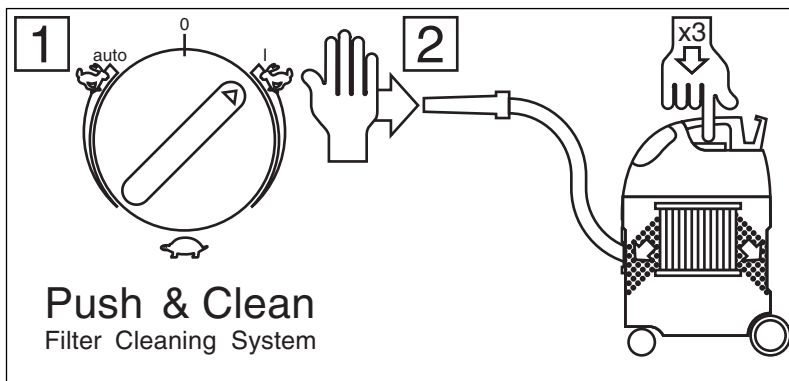
The motor speed and the suction power can be varied with the suction power control¹⁾. This allows precise adaptation of the suction power for different cleaning tasks.

4.3 Cleaning the filter element

4.3.1 Cleaning the filter element (Push&Clean System)¹⁾



If suction performance drops.

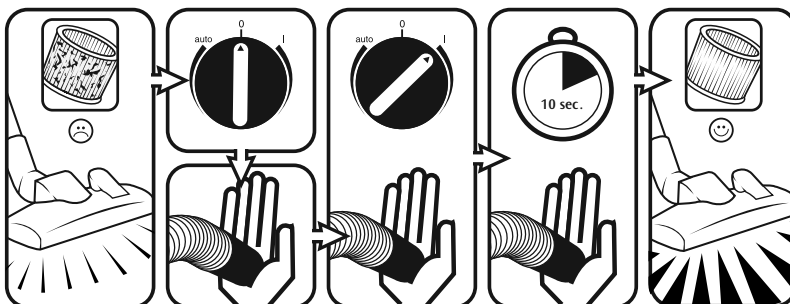


1. Set the suction power to maximum.
2. Close the nozzles or suction hose opening with the palm of your hand.
3. Press the button to start filter cleaning three times. The resulting stream of air removes attached dust from the slats of the filter elements.

4.3.2 Cleaning the filter element (Automatic Filter Cleaning System)¹⁾



To ensure that suction performance is always at its best, the filter element is automatically cleaned during operation. We recommend complete cleaning if the filter element becomes extremely dirty.



1. Switch off the vacuum cleaner
2. Close the nozzles or suction hose opening with the palm of your hand.
3. Turn the switch to position „I“ and let the cleaner operate for approx. 10 seconds with the suction hose opening closed.

5 Applications and techniques

5.1 Techniques

If used correctly, additional accessories, suction nozzles and suction hoses can enhance the cleaning action and reduce the cleaning effort.

Effective cleaning is achieved if you follow just a few guidelines in combination with your own practical experience in special fields.

Here are some basic tips.

5.1.1 Picking up dry substances



CAUTION!
Do not pick up flammable substances.

Before picking up dry substances, always ensure that a filter bag is inserted in the tank (see section 9.5 "Accessories" for order number). Disposal of the picked up material is then simple and hygienic.

After picking up liquids, the filter element is wet. A damp filter element clogs more quickly when dry substances are picked up. For this reason the filter element should be washed and dried or replaced by a dry element before dry substances are picked up.

5.1.2 Picking up liquids



CAUTION!
Do not pick up flammable liquids.

Before liquids are picked up, always remove the filter bag/waste bag and check that the float¹⁾ or the water level limit¹⁾ works properly. (See section 7.2.4 and 7.2.5 "Replacing the filter element".)

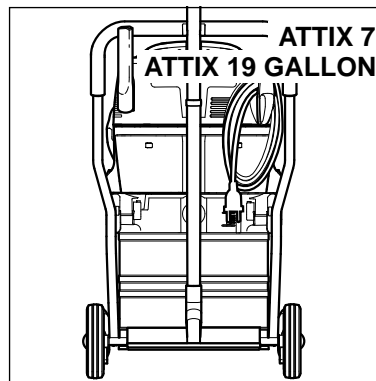
The use of a separate filter element or filter screen is recommended.

If foam appears, stop work immediately and empty the tank.

To reduce the amount of foam, use foam killer Nilfisk Foam Stop (see section 9.5 "Accessories" for order number).

6 After finishing work

6.1 Switching the vacuum cleaner off and storage



1. Switch off the vacuum cleaner and pull the mains plug out of the socket.
2. Wind up the power cord and hang it on the handle.
3. Empty the tank and clean the vacuum cleaner.
4. After picking up liquids: Store the upper section of the cleaner separately so that the filter element can dry.
5. Store the cleaner in a dry room where it is protected from unauthorized use.

6.2 Transport

Before transporting the dirt tank, close all the locks. Do not tilt the appliance if there is liquid in the dirt tank. Do not use a crane hook to lift the appliance. Handle the appliance with care during transport.

¹⁾Option depending on model
Original Instruction Manual

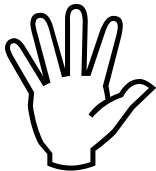
EN 7 Maintenance

7.1 Maintenance plan

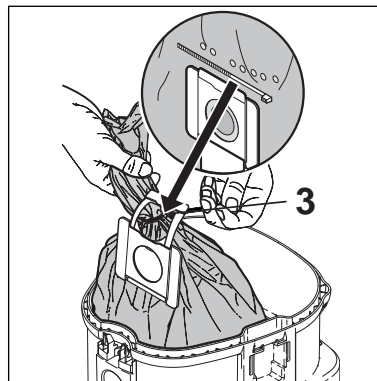
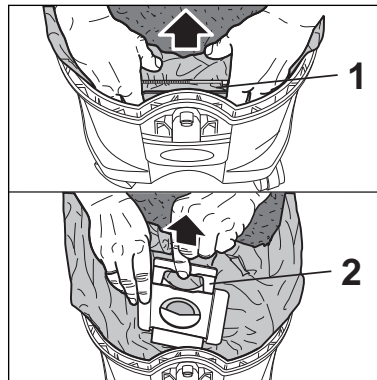
		After finishing work	As required
7.2.1	Replacing the waste bag		●
7.2.2	Replacing the filter bag		●
7.2.3	Emptying dirt tank (ATTIX 7 / 19 GAL)	●	
7.2.4	Replacing filter element (Push&Clean System) ¹⁾		●
7.2.5	Replacing filter element (Automatic Filter Cleaning System) ¹⁾		●

7.2 Maintenance work

7.2.1 Replacing the waste bag



Press the waste bag connection of the new waste bag firmly on to the inlet fitting.

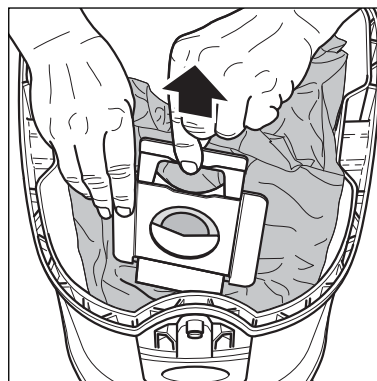


1. Open the retaining clamps and remove the upper section of the cleaner from the dirt tank.
2. Carefully remove the waste bag connection (1) from the inlet fitting.
3. Close the waste bag connection with the slide (2).
4. Close the waste bag using the cable binder (3).
5. Dispose of the dirt in accordance with legal regulations.
6. Insert a new waste bag into the cleaned tank as described in the instructions enclosed.

7.2.2 Replacing the filter bag

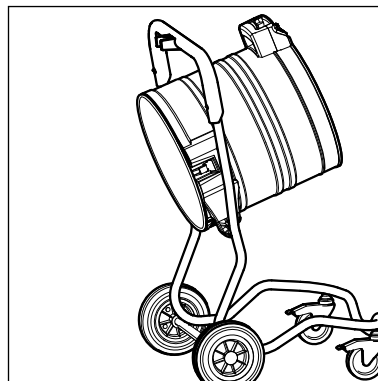
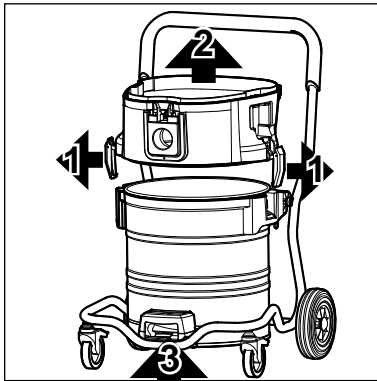


Press the filter bag connection of the new filter bag firmly on to the inlet fitting.



1. Open the retaining clamps and remove the upper section of the cleaner from the dirt tank.
2. Carefully remove the filter bag connection from the inlet fitting.
3. Close the filter bag connection with the slide.
4. Dispose of the filter bag in accordance with legal regulations.
5. Place a new filter bag into the cleaned tank as described in the instructions (printed on the filter bag).

7.2.3 Emptying the dirt tank (ATTIX 7/19 GALLON)



1. Remove the upper section of cleaner from the dirt tank.
2. Open the retaining clamps (1) and remove the intermediate ring (2) from the tank.
3. Pull the lever in the handle (3) upwards and tilt the tank.
4. Tip out the collected dirt.
5. Dispose of the dirt in accordance with legal regulations.

or:

1. Open the tank locks (4).
2. Use the handles (5) to lift the tank out of the frame.
4. Tip out the collected dirt.
5. Place the empty tank in the frame and close the locks (4).
6. Dispose of the dirt in accordance with legal regulations.

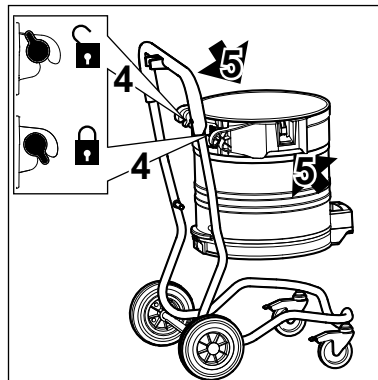


To empty the dirt tank after picking up liquids: remove the intermediate ring as a proper seal is only ensured during suction.

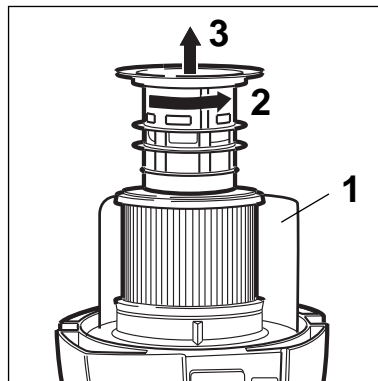
After emptying the tank: clean the rim of the tank and the seals in the intermediate ring and the upper section of cleaner before refitting them.

If the seal or groove is dirty or damaged, the suction performance will be reduced.

Before reinserting the suction hose: clean the inlet fitting and hose collar.

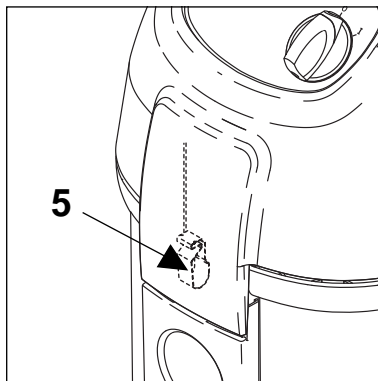
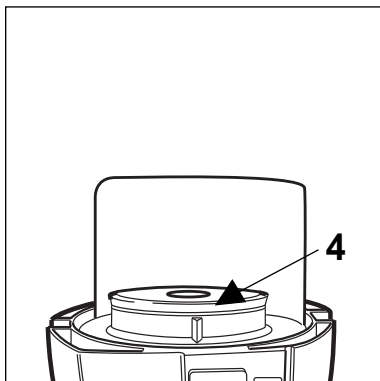


7.2.4 Replacing filter element (Push&Clean System)¹⁾

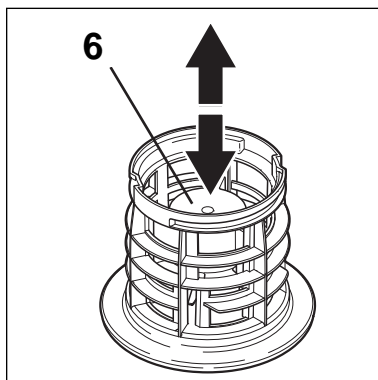


1. Remove the upper section of the cleaner from the dirt tank and deposit with the filter element facing upwards. Do not place the upper section of the cleaner on the guard (1).
2. Turn the filter holder anti-clockwise (2) and remove it (3).
3. Carefully remove the filter element.

¹⁾ Option depending on model
Original Instruction Manual

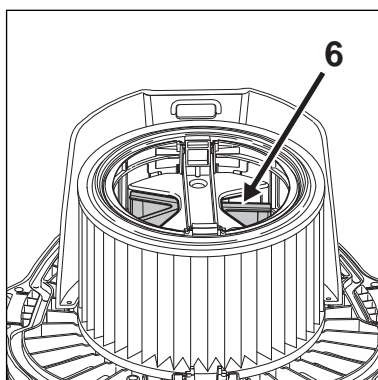
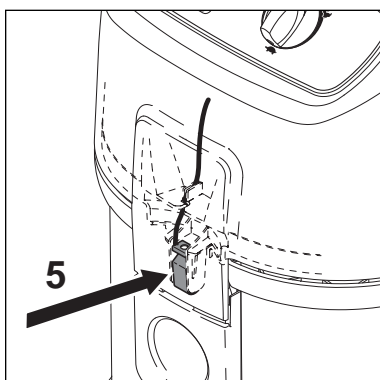
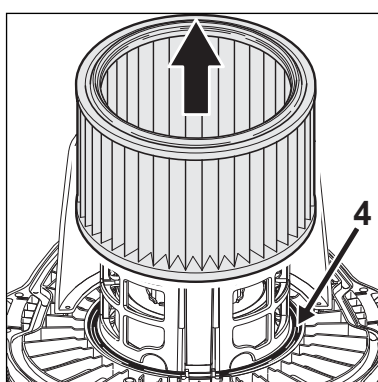
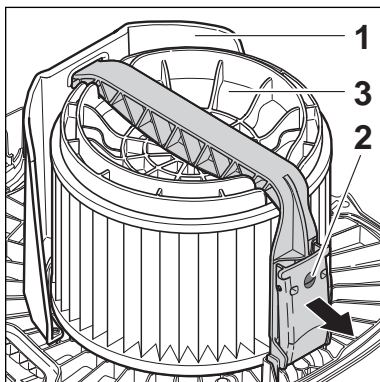


Never use the vacuum cleaner without a filter.



4. Clean the filter seal (4). Check it for damage and replace if necessary.
5. Check antistatic clamp (5) for damage and have it replaced by Nilfisk Service if necessary.
6. Check the floater (6) for proper operation: When you turn the filter holder, the floater should move back and forth easily.
7. Fit a new filter element.
8. Fit the filter holder and turn it clockwise to secure it.
9. Dispose of the used filter element in accordance with legal regulations.

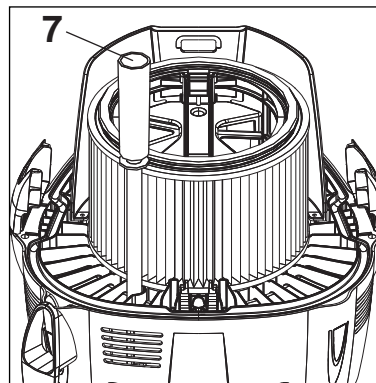
7.2.5 Replacing filter element (Automatic Filter Cleaning System)¹⁾



1. Open the retaining clamps and remove the upper section of the cleaner from the dirt tank. Lay the upper section of the cleaner down with the filter element facing upwards. Do not place the upper section of the cleaner on the guard (1) and do not damage the filter element.
2. Open the bar handle (2) and remove it.
3. Remove the filter holder (3).
4. Carefully remove the filter element.
5. Clean the filter seal (4). Check it for damage and replace it if necessary.
6. Check the antistatic clamp (5) for damage and have it replaced by Nilfisk Service if necessary.
7. Check that the control flap (6) for filter cleaning works properly. The control flap should move back and forwards easily.



Never use the vacuum cleaner without a filter.



8. Clean the level hose (7).
9. Fit a new filter element.
10. Fit the filter holder. Ensure that it is in the correct position.
11. Fit bar and close bar handle.
12. Dispose of the used filter element in accordance with legal regulations.

EN

8 Troubleshooting

Fault	Cause	Remedy
‡ Motor does not start	<ul style="list-style-type: none"> > Fuse of the mains socket has blown. > Overload protection switch has tripped. > Self-acting carbon brush is worn¹⁾ 	<ul style="list-style-type: none"> • Connect mains fuse. • Switch off the vacuum cleaner and allow it to cool for approx. 5 minutes. If the cleaner cannot be started again, contact the Nilfisk service department. • Have carbon brushes changed by Nilfisk Service.
‡ Motor does not run in automatic mode	<ul style="list-style-type: none"> > Power tool/pneumatic tool is defective or not connected properly. > The power rating of the electrical tool is too low. 	<ul style="list-style-type: none"> • Check that the power tool works or that the plug is inserted correctly. • Note that minimum power rating is P>40W
‡ Reduced suction power	<ul style="list-style-type: none"> > Suction power selected with suction power control is too low. > Clogged suction hose/nozzle. > Filter bag is full. > Filter element is clogged. > Automatic Filter Cleaning System only: Defective cleaning mechanism 	<ul style="list-style-type: none"> • Set suction power in accordance with section 4.2.3. „Setting suction power“. • Clean suction hose/nozzle • See section 7.2.2 „Replacing filter bag“. • See section 4.5 „Cleaning filter element“ and 7.2.5+7.2.6 „Replacing filter element“. • Contact Nilfisk Service
‡ No suction power during wet cleaning	<ul style="list-style-type: none"> > Tank is full. (Float has closed the suction opening). 	<ul style="list-style-type: none"> • Switch off the cleaner. Empty the tank.
‡ The vacuum cleaner switches off during wet cleaning	<ul style="list-style-type: none"> > Tank is full. 	<ul style="list-style-type: none"> • Switch off the cleaner. Empty the tank.
‡ Voltage fluctuations	<ul style="list-style-type: none"> > Impedance of power supply is too high. 	<ul style="list-style-type: none"> • Connect the cleaner to another socket closer to the fuse box. Voltage fluctuations over 7% should not occur if the impedance at the transfer point is $\leq 0.15 \Omega$.

¹⁾Option depending on model
Original Instruction Manual

EN 9 Technical data

		ATTIX 7					ATTIX 19 GALLON 19 GALLON AS/ PE2
		EU	CH, DK	GB	GB	AU, NZ	US
Voltage	V	220-240			110-120	220-240	120
Mains frequency	Hz	50/60					60
Fuse	A	16	10	13	16	10	15
Power consumption	W	1200					1040 (1.4)
Connected load for appliance socket	W	2400	1100	1800	560	1100	400 (0.5)
Total connected load	W	3600	2300	3000	1760	2300	1440 (1.9)

		ATTIX 751-01 / 751-11 751-21 / 761-21 XC 791-21	ATTIX 19 GAL 19 GAL AS/PE2
Maximum flow rate	m ³ /h (litres/ min)	216 (3600)	216 (3600)
Maximum underpressure	hPa (in)	232 (6,85)	232 (6,85)
Sound pressure level L _{PA} (IEC 60335-2-69)	dB(A)	65 ± 2	65 ± 2
Vibration ISO 5349 a _h	m/s ²	≤ 2,5	≤ 2,5
Working Sound Level	dB(A)	57 ± 2	57 ± 2
Protection class		I	I
Protection grade (moist, dust)		IP X4	IP X4
Weight	Kg (lb)	25/27 ³ (54/58)	25/27 ³ (54/58)

³⁾ ATTIX 761-21 XC / 19 GALLON AS/PE2

Specifications and details are subject to change without prior notice.

Accessories

Description	Order No.		
	ATTIX 751 19 GAL	ATTIX 761 19 GAL AS/ PE2	ATTIX 791
Filter bag(5 pcs.)	302002892	-	302002892
Waste bag (5 pcs.)	302001480	302001480	-
Filter element	302000490	107400562	302000490
Cloth insert filter	-	-	-

Description	Order No.
	ATTIX 7
Filter screen	15475
Nilfisk FoamStop (6 x 1 l)	8469

Declaration of Conformity

Prohlášení o shodě
Konformitätserklärung
Overensstemmelseserklæring
Declaración de conformidad
Vastavusdeklaratsioon
Déclaration de conformité
Vaatumustenmukaisuusvakuutus

Декларация за съответствие
Δήλωση συμμόρφωσης
Megfelelősségi nyilatkozat
Izjava o skladnosti
Dichiarazione di conformità
Atitikties deklaracija
Atbilstības deklarācija
Samsvarserklæring
Conformiteitsverklaring

Declaração de conformidade
Deklaracja zgodności
Declaratie de conformitate
Декларация о соответствии
Försäkran om överensstämmelse
Vyhlášení o zhode
Izjava o skladnosti
Uygunluk beyanı

Manufacturer / Výrobce / Hersteller / Fabrikant /
Fabricante / Κατασκευαστής / Gyártó / Proizvođač /
Fabbricante / Gamintojas / Ražotājs / Producers /
Fabrikant / Fabricante / Producent / Producător /
производитель / Tillverkaren / Výrobca / Proizvajalec /
Üretici firma:

**Nilfisk A/S, Kornmarksvej 1
DK-2605 Broendby, DENMARK**

Product / Produkt / Producto, Toode, Produit, Tuote/
Продукт / Προϊόν / Termék / Proizvod / Prodotto /
Produktas / Produkts / Artikel / Produtos / Prods /
Izdelek / Ürün

**ATTIX 751-01, 751-11, 751-21, 761-21 XC,
791-21**

Description / Popis / Beschreibung / Beskrivelse /
Descripción / Kirjeldus / La description / Kuvaus /
Описание / Περιγραφή / Leirás / Opis / Descrizione /
Aprašymas / Apraksts / Beschrijving / Descrição /
Descriere / Beskrivning / Popis / Açıklama

**VAC - Commercial - Wet/Dry
110-120V, 220-240V 50-60Hz, IPX4**

EN

We, Nilfisk hereby declare under our sole responsibility, that the above-mentioned product(s) is/are in conformity with the following directives and standards.

LT

Mes, „Nilfisk“, prisiimdami visišką atsakomybę pareiškiame, kad pirmiau minėtas produktas (-ai) atitinka šias direktyvas ir standartus

CS

My, Nilfisk prohlašujeme na svou výlučnou odpovědnost, že výše uvedený výrobek je ve shodě s následujícími směrnici a normami.

LV

Mēs, Nilfisk, ar pilnu atbildību apliecinām, ka iepriekšminētais produkts atbilst šādām direktīvām un standartiem

DE

Wir, Nilfisk erklären in alleiniger Verantwortung, dass das oben genannte Produkt den folgenden Richtlinien und Normen entspricht.

NO

Vi, Nilfisk erklærer herved under eget ansvar, at det ovennevnte produktet er i samsvar med følgende direktiver og standarder

DA

Vi, Nilfisk erklærer hermed under eget ansvar at ovennævnte produkt(er) er i overensstemmelse med følgende direktiver og standarder.

NL

We verklaren Nilfisk hierbij op eigen verantwoordelijkheid, dat het bovengenoemde product voldoet aan de volgende richtlijnen en normen

ES

Nosotros, Nilfisk declaramos bajo nuestra única responsabilidad que el producto antes mencionado está en conformidad con las siguientes directivas y normas

PT

Nós, a Nilfisk declaramos, sob nossa exclusiva responsabilidade, que o produto acima mencionado está em conformidade com as diretrizes e normas a seguir

ET

Meie, Nilfisk Käesolevaga kinnitame ja kanname ainuisikulist vastutust, et eespool nimetatud toode on kooskõlas järgmiste direktiivide ja

PL

My, Nilfisk Niniejszym oświadczamy z pełną odpowiedzialnością, że wyżej wymieniony produkt jest zgodny z następującymi dyrektywami i normami..

FR

Nilfisk déclare sous notre seule responsabilité que le produit mentionné ci-dessus est conforme aux directives et normes suivantes.

RO

Noi, Nilfisk Prin prezenta declarăm pe propria răspundere, că produsul mai sus menționat este în conformitate cu următoarele standarde și directive



Me, Nilfisk täten vakuutamme omalla vastuulla, että edellä mainittu tuote on yhdenmukainen seuraavien direktiivien ja standardien mukaisesti



Ние, Nilfisk С настоящото декларираме на своя лична отговорност, че посочените по-горе продуктът е в съответствие със следните директиви и стандарти.



Εμείς, Nilfisk δηλώνουμε με αποκλειστική μας ευθύνη, ότι το προαναφερόμενο προϊόν συμμορφώνεται με τις ακόλουθες οδηγίες και πρότυπα.



Mi, Nilfisk Kijelentjük, egyedüli felelősséggel, hogy a fent említett termék megfelel az alábbi irányelveknek és szabványoknak



Mi, Nilfisk Izjavljujemo pod punom odgovornošću, da gore navedeni proizvod u skladu sa sljedećim direktivama i standardima.



Noi, Nilfisk dichiara sotto la propria responsabilità, che il prodotto di cui sopra è conforme alle seguenti direttive e norme.



Мы, Nilfisk настоящим заявляем под нашу полную ответственность, что вышеперечисленные продукция соответствует следующими директивам и стандартам.



Vi Nilfisk förklarar härmed under eget ansvar att ovan nämnda produkt överensstämmer med följande direktiv och normer.



My, Nilfisk prehlasujeme na svoju výlučnú zodpovednosť, že vyššie uvedený výrobok je v zhode s nasledujúcimi smernicami a normami.



Mi, Nilfisk izjavljamo s polno odgovornostjo, da je zgoraj omenjeni izdelek v skladu z naslednjimi smernicami in standardi.



Nilfisk, burada yer alan tüm sorumluluklarımıza göre, yukarıda belirtilen ürünün aşağıdaki direktifler ve standartlara uygun olduğunu beyan ederiz.

2006/42/EC

EN 60335-1:2012+A11:2014+A13:2017
EN 60335-2-69:2012

2014/30/EU

EN 55014-1:2017+A11:2020
EN 55014-2:2015
EN 61000-3-2:2019
EN 61000-3-3:2013+A1:2019

2011/65/EU

EN 63000:2018

Authorized signatory:

Pierre Mikaelsson, Executive Vice President, Global Products & Services, Nilfisk NLT

Sep 23, 2021



UK Declaration of Conformity

We,
Nilfisk Ltd
Nilfisk House, Bowerbank Way Gilwilly Industrial Estate
Penrith Cumbria
CA11 9BQ UK

Hereby declare under our sole responsibility that the

Products: VAC - Commercial - Wet/Dry
Description: 220-240V, 110-120V 50-60Hz, IPX4
Type: ATTIX 751-01, 751-11, 751-21, 761-21 XC, 791-21

Are in compliance with the following standards:

EN 60335-1:2012+A11:2014+A13:2017
EN 60335-2-69:2012
EN 55014-1:2017+A11:2020
EN 55014-2:2015
EN 61000-3-2:2014
EN 61000-3-3:2013
EN 63000:2018

Following the provisions of:

Supply of Machinery (Safety) Regulations 2008/1597
Electromagnetic Compatibility Regulations 2016/1091
The Restriction of the Use of Certain Hazardous Substances in Electrical and Electronic Equipment
Regulations 2012/3032

Penrith, 20-1-2021

A handwritten signature in black ink, appearing to read 'Stewart Dennett', written over a horizontal line.

Stewart Dennett
GM/MD



HEAD QUARTER

DENMARK

Nilfisk A/S
Kornmarksvej 1
DK-2605 Brøndby
Tel.: (+45) 4323 8100
www.nilfisk.com

SALES COMPANIES

ARGENTINA

Nilfisk srl.
Edificio Central Park
Herrera 1855, 6th floor/604
Ciudad de Buenos Aires
Tel.: (+54) 11 6091 1571
www.nilfisk.com.ar

AUSTRALIA

Nilfisk Pty Ltd
Unit 1/13 Bessemer Street
Blacktown NSW 2148
Tel.: (+61) 2 98348100
www.nilfisk.com.au

AUSTRIA

Nilfisk GmbH
Metzgerstrasse 68
5101 Bergheim bei Salzburg
Tel.: (+43) 662 456 400 90
www.nilfisk.at

BELGIUM

Nilfisk n.v.-s.a.
Riverside Business Park
Boulevard Internationalelaan 55
Bâtiment C3/C4 Gebouw
Bruxelles 1070
Tel.: (+32) 24 67 60 50
www.nilfisk.be

BRAZIL

Nilfisk do Brasil
Av. Eng. Luis Carlos Berrini, 550
40 Andar, Sala 03
SP - 04571-000 Sao Paulo
Tel.: (+11) 3959-0300 / 3945-4744
www.nilfisk.com.br

CANADA

Nilfisk Canada Company
240 Superior Boulevard
Mississauga, Ontario L5T 2L2
Tel.: (+1) 800-668-8400
www.nilfisk.ca

CHILE

Nilfisk S.A. (Comercial KCS Ltda)
Salar de Llamara 822
8320000 Santiago
Tel.: (+56) 2684 5000
www.nilfisk.cl

CHINA

Nilfisk
4189 Yindu Road
Xinzhuan Industrial Park
201108 Shanghai
Tel.: (+86) 21 3323 2000
www.nilfisk.cn

CZECH REPUBLIC

Nilfisk s.r.o.
VGP Park Horní Počernice
Do Čertous 1/2658
193 00 Praha 9
Tel.: (+420) 244 090 912
www.nilfisk.cz

DENMARK

Nilfisk Danmark A/S
Industrivej 1
Hadsund, DK-9560
Tel.: 72 18 21 20
www.nilfisk.dk

FINLAND

Nilfisk Oy Ab
Koskelontie 23 E
02920 Espoo
Tel.: (+358) 207 890 600
www.nilfisk.fi

FRANCE

Nilfisk SAS
26 Avenue de la Baltique
Villebon sur Yvette
91978 Courtabouef Cedex
Tel.: (+33) 169 59 87 00
www.nilfisk.fr

GERMANY

Nilfisk GmbH
Guido-Oberdorfer-Straße 2-10
89287 Bellenberg
Tel.: (+49) (0)7306/72-444
www.nilfisk.de

GREECE

Nilfisk A.E.
Αναπαύσεως 29
Κορωπί T.K. 194 00
Tel.: (30) 210 9119 600
www.nilfisk.gr

HOLLAND

Nilfisk B.V.
Versterkerstraat 5
1322 AN Almere
Tel.: (+31) 036 5460760
www.nilfisk.nl

HONG KONG

Nilfisk Ltd.
2001 HK Worsted Mills
Industrial Building
31-39, Wo Tong Tsui St.
Kwai Chung, N.T.
Tel.: (+852) 2427 5951
www.nilfisk.com

HUNGARY

Nilfisk Kft.
II. Rákóczi Ferenc út 10
2310 Szigetszentmiklós-Lakihegy
Tel.: (+36) 24 475 550
www.nilfisk.hu

INDIA

Nilfisk India Limited
Pramukh Plaza, 'B' Wing, 4th floor, Unit
No. 403
Cardinal Gracious Road, Chakala
Andheri (East) Mumbai 400 099
Tel.: (+91) 22 6118 8188
www.nilfisk.in

IRELAND

Nilfisk
1 Stokes Place
St. Stephen's Green
Dublin 2
Tel.: (+35) 3 12 94 38 38
www.nilfisk.ie

ITALY

Nilfisk SpA
Strada Comunale della Braglia, 18
26862 Guardamiglio (LO)
Tel.: (+39) (0) 377 414021
www.nilfisk.it

JAPAN

Nilfisk Inc.
1-6-6 Kita-shinyokohama, Kouhoku-ku
Yokohama, 223-0059
Tel.: (+81) 45548 2571
www.nilfisk.com

MALAYSIA

Nilfisk Sdn Bhd
Sd 33, Jalan KIP 10
Taman Perindustrian KIP
Sri Damansara
52200 Kuala Lumpur
Tel.: (60) 3603 627 43 120
www.nilfisk.com

MEXICO

Nilfisk de Mexico, S. de R.L. de C.V.
Pirineos #515 Int.
60-70 Microparque
Industrial WSantiago
76120 Queretaro
Tel.: (+52) (442) 427 77 00
www.nilfisk.com

NEW ZEALAND

Nilfisk Limited
Suite F, Building E
42 Tawa Drive
0632 Albany Auckland
Tel.: (+64) 9 414 1996
Website: www.nilfisk.com

NORWAY

Nilfisk AS
Bjørnerudveien 24
1266 Oslo
Tel.: (+47) 22 75 17 80
www.nilfisk.no

PERU

Nilfisk S.A.C.
Calle Boulevard 162, Of. 703, Lima 33-
Perú
Lima
Tel.: (511) 435-6840
www.nilfisk.com

POLAND

Nilfisk Sp. Z.O.O.
Millenium Logistic Park
ul. 3 Maja 8, Bud. B4
05-800 Pruszków
Tel.: (+48) 22 738 3750
www.nilfisk.pl

PORTUGAL

Nilfisk Lda.
Sintra Business Park
Zona Industrial Da Abrunheira
Edificio 1, 1º A
P2710-089 Sintra
Tel.: (+351) 21 911 2670
www.nilfisk.pt

RUSSIA

Nilfisk LLC
Vyatskaya str. 27, bld. 7/1st
127015 Moscow
Tel.: (+7) 495 783 9602
www.nilfisk.ru

SINGAPORE

Den-Sin
22 Tuas Avenue 2
639453 Singapore
Tel.: (+65) 6268 1006
www.densin.com

SLOVAKIA

Nilfisk s.r.o.
Bancíkovej 1/A
SK-821 03 Bratislava
Tel.: (+421) 910 222 928
www.nilfisk.sk

SOUTH AFRICA

Nilfisk (Pty) Ltd
Kimbult Office Park
9 Zeiss Road
Laser Park
Honeydew
Johannesburg
Tel: +27118014600
www.nilfisk.co.za

SOUTH KOREA

Nilfisk Korea
#204 2F Seoulsup Kolon Digital Tower
25 Seongsuil-ro 4-gil, Seongdong-gu
Seoul.
Tel.: (+ 82) 2 3474 4141
www.nilfisk.co.kr

SPAIN

Nilfisk S.A.
Torre d'Ara,
Passeig del Rengle, 5 Plta. 10ª
08302 Mataró
Tel.: (34) 93 741 2400
www.nilfisk.es

SWEDEN

Nilfisk AB
Taljegårdsgatan 4
431 53 Mölndal
Tel.: (+46) 31 706 73 00
www.nilfisk.se

SWITZERLAND

Nilfisk AG
Ringstrasse 19
Kircheberg/Industri Stelz
9500 Wil
Tel.: (+41) 71 92 38 444
www.nilfisk.ch

TAIWAN

Nilfisk Ltd
Taiwan Branch (H.K)
No. 5, Wan Fang Road
Taipei
Tel.: (+88) 6227 00 22 68
www.nilfisk.tw

THAILAND

Nilfisk Co. Ltd.
89 Soi Chokechai-Ruammit
Viphavadee-Rangsit Road
Ladyao, Jatuchak, Bangkok 10900
Tel.: (+66) 2275 5630
www.nilfisk.co.th

TURKEY

Nilfisk A.S.
Serifali Mh. Bayraktar Bulv. Sehit Sk. No:7
Umraniye, 34775 Istanbul
Tel.: +90 216 466 94 94
www.nilfisk.com.tr

UNITED ARAB EMIRATES

Nilfisk Middle East Branch
SAIF-Zone
P.O. Box 122298
Sharjah
Tel.: (+971) (0) 655-78813
www.nilfisk.com

UNITED KINGDOM

Nilfisk Ltd.
Nilfisk House, Bowerbank Way
Gilwilly Industrial Estate, Penrith
Cumbria CA11 9BQ
Tel.: (+44) (0) 1768 868995
www.nilfisk.co.uk

UNITED STATES

Nilfisk, Inc.
9435 Winnetka Ave N,
Brooklyn Park
MN- 55445
www.nilfisk.com

VIETNAM

Nilfisk Vietnam
No. 51 Doc Ngu Str.
P. Vinh Phuc, Q.Ba Dinh
Hanoi
Tel.: (+84) 761 5642
www.nilfisk.com